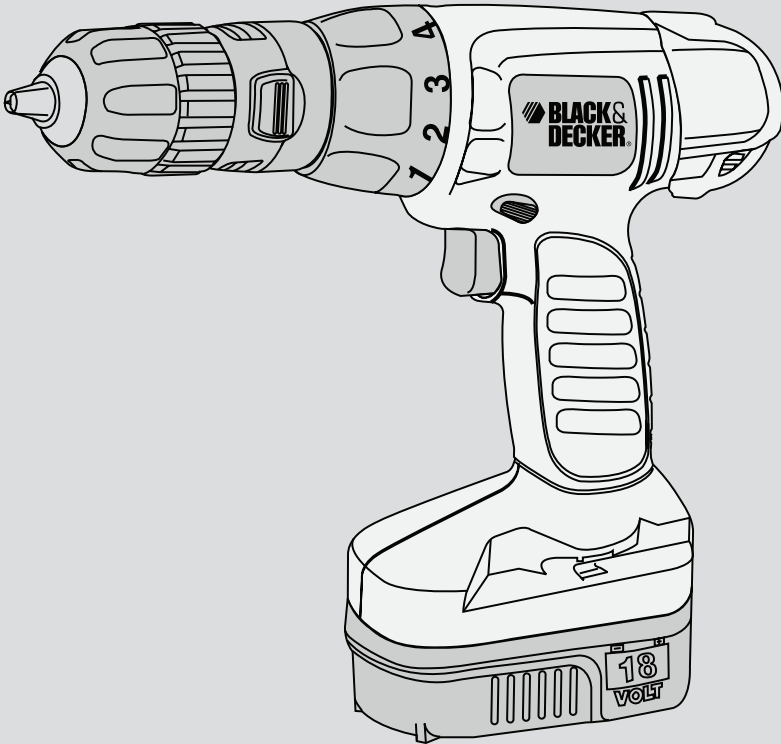


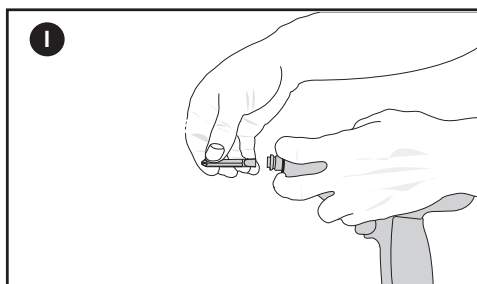
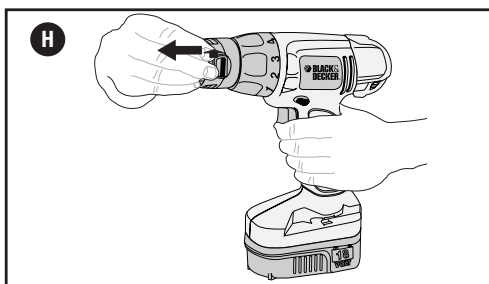
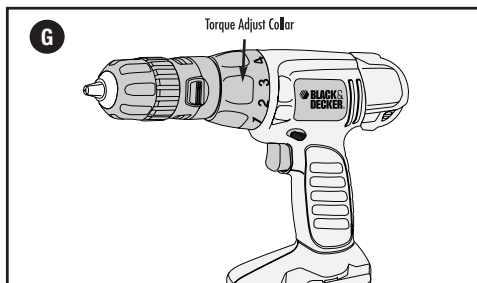
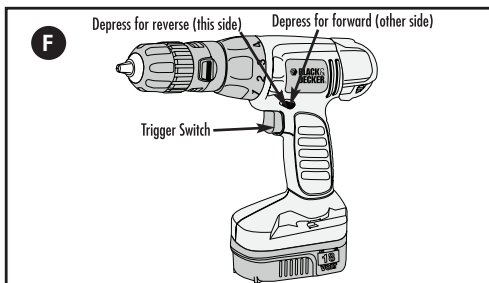
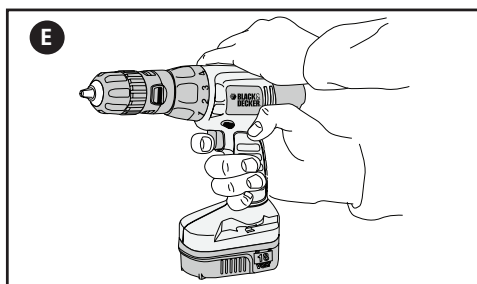
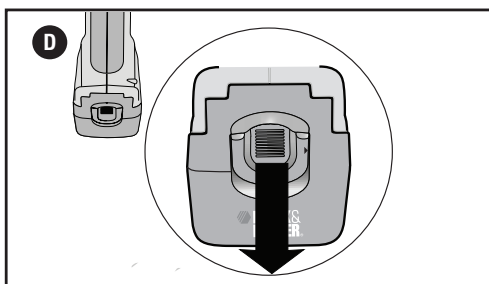
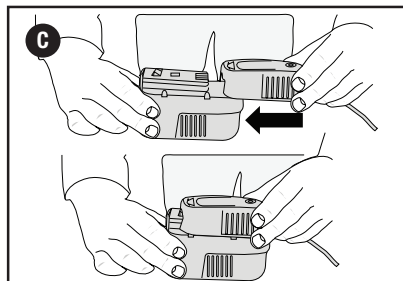
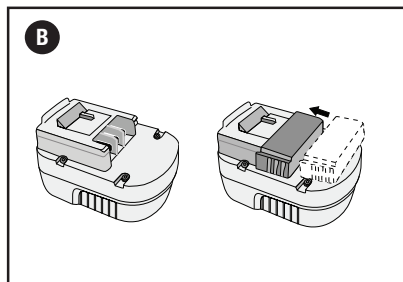
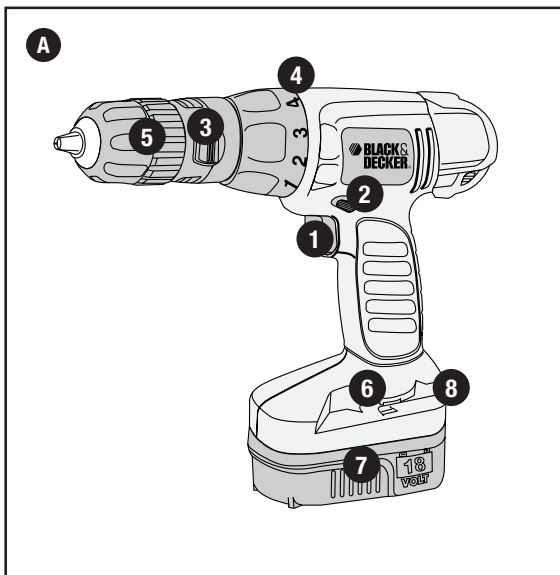


**BLACK & DECKER®**



**CD18QC**

**18V CORDLESS DRILL**



# CD18QC

## 18V CORDLESS DRILL

### TECHNICAL DATA

Cordless Drill/Driver	CD18QC	
Voltage	V	18
No Load Speed	rpm	0-850
Max. Torque	Nm	13
Drilling Capacity		
– Wood/Steel	mm	25/10
– Chuck Capacity	mm	10
Weight	kg	1.08
Battery		
Voltage	V	18
Capacity	Ah	1.2
Weight	g	825
Charger		
Approx. Charging Time	Hour	3
Weight	kg	0.2

### INTENDED USE

Your Black & Decker cordless drill/driver has been designed for all drilling & screw driving applications.

### GENERAL SAFETY RULES

**Warning!** Read all instructions. Failure to follow all instructions listed below may result in electric shock, fire and/or serious injury. The term “power tool” in all of the warnings listed below refers to your mains operated (corded) power tool or battery operated (cordless) power tool.

#### SAVE THESE INSTRUCTIONS.

##### 1. Work area

- Keep work area clean and well lit.** Cluttered and dark areas invite accidents.
- Do not operate power tools in explosive atmospheres, such as in the presence of flammable liquids, gases or dust.** Power tools create sparks which may ignite the dust or fumes.
- Keep children and bystanders away while operating a power tool.** Distractions can cause you to lose control.

##### 2. Electrical safety

- Power tool plugs must match the outlet. Never modify the plug in any way.** Do not use any adapter plugs with earthed (grounded) power tools. Unmodified plugs and matching outlets will reduce risk of electric shock.
- Avoid body contact with earthed or grounded surfaces such as pipes, radiators, ranges and refrigerators.** There is an increased risk of electric shock if your body is earthed or grounded.
- Do not expose power tools to rain or wet conditions.** Water entering a power tool will increase

the risk of electric shock.

- Do not abuse the cord. Never use the cord for carrying, pulling or unplugging the power tool.** Keep cord away from heat, oil, sharp edges or moving parts. Damaged or entangled cords increase the risk of electric shock.
  - When operating a power tool outdoors, use an extension cord suitable for outdoor use.** Use of a cord suitable for outdoor use reduces the risk of electric shock.
  - If operating a power tool in a damp location is unavoidable, use a residual current device (RCD) protected supply.** Use of an RCD reduces the risk of electric shock.
- Personal safety**
    - Stay alert, watch what you are doing and use common sense when operating a power tool. Do not use a power tool while you are tired or under the influence of drugs, alcohol or medication.** A moment of inattention while operating power tools may result in serious personal injury.
    - Use safety equipment. Always wear eye protection.** Safety equipment such as dust mask, non-skid safety shoes, hard hat, or hearing protection used for appropriate conditions will reduce personal injuries.
    - Avoid accidental starting. Ensure the switch is in the off position before plugging in.** Carrying power tools with your finger on the switch or plugging in power tools that have the switch on invites accidents.
    - Remove any adjusting key or wrench before turning the power tool on.** A wrench or a key left attached to a rotating part of the power tool may result in personal injury.
    - Do not overreach. Keep proper footing and balance at all times.** This enables better control of the power tool in unexpected situations.
    - Dress properly. Do not wear loose clothing or jewellery. Keep your hair, clothing and gloves away from moving parts.** Loose clothes, jewellery or long hair can be caught in moving parts.
    - If devices are provided for the connection of dust extraction and collection facilities, ensure these are connected and properly used.** Use of these devices can reduce dust related hazards.
  - Power tool use and care**
    - Do not force the power tool. Use the correct power tool for your application.** The correct power tool will do the job better and safer at the rate for which it was designed.
    - Do not use the power tool if the switch does not turn it on and off.** Any power tool that cannot be controlled with the switch is dangerous and must be repaired.

- c. **Disconnect the plug from the power source and/or the battery pack from the power tool before making any adjustments, changing accessories, or storing power tools.** Such preventive safety measures reduce the risk of starting the power tool accidentally.

- d. **Store idle power tools out of the reach of children and do not allow persons unfamiliar with the power tool or these instructions to operate the power tool.**

Power tools are dangerous in the hands of untrained users.

- e. **Maintain power tools. Check for misalignment or binding of moving parts, breakage of parts and any other condition that may affect the power tools operation.** If damaged, have the power tool repaired before use. Many accidents are caused by poorly maintained power tools.

- f. **Use the power tool, accessories and tool bits etc. in accordance with these instructions, taking into account the working conditions and the work to be performed.** Use of the power tool for operations different from those intended could result in a hazardous situation.

#### 5. Battery tool use and care

- a. **Ensure the switch is in the off position before inserting battery pack.** Inserting the battery pack into power tools that have the switch on invites accidents.

- b. **Recharge only with the charger specified by the manufacturer.** A charger that is suitable for one type of battery pack may create a risk of fire when used with another battery pack.

- c. **Use power tools only with specifically designated battery packs.** Use of any other battery packs may create a risk of injury and fire.

- d. **When battery pack is not in use, keep it away from other metal objects like paper clips, coins, keys, nails, screws, or other small metal objects that can make a connection from one terminal to another.** Shorting the battery terminals together may cause burns or a fire.

- e. **Under abusive conditions, liquid may be ejected from the battery; avoid contact.** If contact accidentally occurs, flush with water. If liquid contacts eyes, additionally seek medical help. Liquid ejected from the battery may cause irritation or burns.

#### 6. Service

- a. **Have your power tool serviced by a qualified repair person using only identical replacement parts.** This will ensure that the safety of the power tool is maintained.

intended for use by young children or infirm persons without supervision. Young children should be supervised to ensure they do not play with this appliance.

- b. Replacement of the supply cord. If the supply cord is damaged, it must be replaced by the manufacturer or an authorised Black & Decker Service Centre in order to avoid a hazard.

## ADDITIONAL POWER TOOL SAFETY WARNINGS



**Warning!** Additional safety warnings for drills and impact drills.

- Wear ear protectors with impact drills. Exposure to noise can cause hearing loss.
- Use auxiliary handles supplied with the tool. Loss of control can cause personal injury.
- Hold power tool by insulated gripping surfaces when performing an operation where the cutting accessory may contact hidden wiring.
- Cutting accessory contacting a "live" wire may make exposed metal parts of the power tool "live" and shock the operator.

## ADDITIONAL SAFETY INSTRUCTIONS FOR BATTERIES AND CHARGERS

### Batteries

- Never attempt to open for any reason.
- Do not expose the battery to water.
- Do not expose the battery to heat.
- Do not store in locations where the temperature may exceed 40°C.
- Charge only at ambient temperatures between 4°C and 40°C.
- Charge only using the charger provided with the tool.
- When disposing of batteries, follow the instructions given in the section "Protecting the environment".
- Do not damage/deform the battery pack either by puncture or impact, as this may create a risk of injury or fire.
- Do not charge damaged batteries.

### Chargers

Your charger has been designed for a specific voltage. Always check that the mains voltage corresponds to the voltage on the rating plate.

- Use your Black & Decker charger only to charge the battery in the tool with which it was supplied. Other batteries could burst, causing personal injury and damage.
- Never attempt to charge non-rechargeable batteries.
- If the supply cord is damaged, it must be replaced by the manufacturer or an authorised Black & Decker Service Centre in order to avoid a hazard.

## ADDITIONAL SAFETY INSTRUCTIONS FOR AUSTRALIA AND NEW ZEALAND

- a. Young children and the infirm. This appliance is not

- Do not expose the charger to water.
- Do not open the charger.
- Do not probe the charger.

## LABELS ON THE CHARGER

The following symbols are found on your charger:



Your charging base is double insulated; therefore no earth wire is required. Always check that the power supply corresponds to the voltage on the rating plate.



The charging base is intended for indoor use only.

## SPECIFIC SAFETY RULES

- **Hold tool by insulated gripping surfaces when performing an operation where the tool may contact hidden wiring.** Contact with a “live” wire will also make exposed metal parts of the tool “live” and shock the operator.
- **When working on a ladder or on scaffolding be sure to lay the tool down on its side when not in use.** Some tools with large battery packs will stand upright but may be easily knocked over.
- Avoid touching the tip of a drill bit just after drilling, as it may be hot.
- When fitting and changing accessories, always use the instructions supplied with the accessory.
- Should your tool develop a fault, do not try to fix it yourself, but take it to one of our authorized repair agents.
- **DO NOT STORE BATTERY IN CHARGER WHEN NOT CHARGING.**

## SYMBOLS

The label on your tool may include the following symbols:

V	volts
A	Amperes
Hz	Hertz
W	Watts
min	Minutes
~	Alternating current
—	Direct current
no	No load speed
	Class II Construction
	Earthing terminal
	Safety alert symbol
.../min	Revolutions or reciprocations per minute
.../bpm	Beats per minute

## FEATURES -FIG. A

1. Trigger Switch
2. Forward/Reverse Button
3. Quick Connect Chuck
4. Torque Adjust Collar

5. Keyless Chuck
6. Bit Holder
7. Battery
8. Battery Release Button

## BATTERY CAP INFORMATION- FIG. B

Battery storage and carrying caps are provided for use whenever the battery in charger or tool.

**⚠ WARNING:** Do not store or carrying battery so that metal objects can contact exposed battery terminals. For example, do not place battery in aprons, pockets, tool boxes, product kit boxes, drawers, ect. with loose nails, screws, keys, etc. Without battery cap. Without cap in place, battery could short circuit causing fire or burns or damage to battery.

## SAFETY WARNINGS AND INSTRUCTIONS: CHARGING THE DRILL

1. This manual contains important safety and operating instructions.
  2. Before using battery charger, read all instructions and cautionary markings on (1) battery charger, (2) battery, and (3) product using battery.
  3. **⚠ CAUTION:** To reduce the risk of injury, charge only Black&Decker Power Packs. Other types of batteries may burst causing personal injury and damage.
  4. Do not expose charger to rain or snow.
  5. Use of an attachment not recommended or sold by Black & Decker may result in a risk of fire, electric shock, or injury to persons.
  6. To reduce risk of damage to electric plug and cord, pull by plug rather than cord when dis-connecting charger.
  7. Make sure cord is located so that it will not be stepped on, tripped over, or otherwise sub-jected to damage or stress.
  8. An extension cord should not be used unless absolutely necessary. Use of improper extension cord could result in a risk of fire, electric shock or electrocution.
- Two-wire cords can be used with 2-wire or 3-wire extension cords. Only round jacketed extension cords should be used, and we recommend that they be listed by Underwriters Laboratories (U.L.). If the extension is to be used outside, the cord must be suitable for outdoor use. Any cord marked for outdoor use can also be used for indoor work. The let-ters "W" or "WA" on the cord jacket indicate that the cord is suitable for outdoor use.
  - An extension cord must have adequate wire size (AWG or American Wire Gauge) for safety, and to prevent loss of power and overheating. The smaller the gauge number of the wire, the greater the capacity of the cable; that is, 16 gauge has more capacity than 18 gauge. When using more than one extension to make up the total length, be sure each extension contains at least the minimum wire size.

9. Use only the supplied charger when charging your drill. The use of any other charger could damage the drill or create a hazardous condition.
  10. Use only one charger when charging.
  11. Do not attempt to open the charger or the drill. There are no customer serviceable parts inside. Return to any authorized Black & Decker service center.
  12. DO NOT incinerate the drill or battery packs even if they are severely damaged or completely worn out. The batteries can explode in a fire.
  13. Do not incinerate the batteries. They can explode in a fire. A small leakage of liquid from the battery cells may occur under extreme usage, charging or temperature conditions. This does not indicate a failure. However, if the outer seal is broken and this leakage gets on your skin:
    - Wash quickly with soap and water.
    - Neutralize with a mild acid such as lemon juice or vinegar.
    - If the battery liquid gets in your eyes, flush them with clean water for a minimum of 10 minutes and seek immediate medical attention. **MEDICAL NOTE:** The liquid is a 25-35% solution of potassium hydroxide.
3. While charging, the charger may hum and become warm to touch. This is a normal condition and does not indicate a problem.
  4. If the power pack does not charge properly:
    - Check current at receptacle by plugging in a lamp or other appliance.
    - Check to see if receptacle is connected to a light switch which turns power off when you turn out the lights.
    - Move charger and power pack to a surrounding air temperature of 40°F to 105°F.
    - If the receptacle and temperature are OK, and you do not get proper charging, take or send the power pack and charger to your local Black&Decker service center. See Tools Electric in yellow pages.
  5. The power pack should be recharged when it fails to produce sufficient power on jobs which were easily done previously. **DO NOT CONTINUE** using product with its power pack in a depleted condition.
  6. To prolong power pack life, avoid leaving the power pack on charge for extended periods of time (over 30 days without use). Although overcharging is not a safety concern, it can significantly reduce overall power pack life.
  7. The power pack will reach optimum performance after being cycled 5 times during normal usage. There is no need to run the batteries down completely before recharging. Normal usage is the best method of discharging and recharging the batteries.

## CHARGING THE POWER PACK

THE BATTERIES IN YOUR POWER PACK ARE NOT FULLY CHARGED AT THE FACTORY. BEFORE ATTEMPTING TO CHARGE THEM, THOROUGHLY READ ALL OF THE SAFETY INSTRUCTIONS.

The charger is designed to use standard household 100-240 volt 50/60 Hz power.

1. Plug the charger into any standard 230 volt 50 Hz electrical outlet.
2. Slide the charger onto the battery pack as shown in Figure C and let the battery charge initially for 9 hours. After the initial charge, under normal usage, your power pack should be fully charged in 3 to 6 hours.
3. Unplug charger, and remove the battery pack. **Place the battery in the tool and be certain that it is inserted fully into the tool cavity until it "clicks" into place.**

**NOTE:** To remove the battery from the drill, press down on the release button on the back of the battery (Figure D) and slide out.

## IMPORTANT CHARGING NOTES


1. After normal usage, your power pack should be fully charged in 3 to 6 hours. If the power pack is run-down completely, it may take up to 6 hours to become fully charged. Your power pack was sent from the factory in an uncharged condition. Before attempting to use it, it must be charged for at least 9 hours.
2. DO NOT charge the power pack in an air temperature

below 40°F or above 105°F. This is important and will prevent serious damage to the power pack. Longest life and best performance can be obtained if power pack is charged when air temperature is about 75°F.

3. While charging, the charger may hum and become warm to touch. This is a normal condition and does not indicate a problem.
4. If the power pack does not charge properly:
  - Check current at receptacle by plugging in a lamp or other appliance.
  - Check to see if receptacle is connected to a light switch which turns power off when you turn out the lights.
  - Move charger and power pack to a surrounding air temperature of 40°F to 105°F.
  - If the receptacle and temperature are OK, and you do not get proper charging, take or send the power pack and charger to your local Black&Decker service center. See Tools Electric in yellow pages.
5. The power pack should be recharged when it fails to produce sufficient power on jobs which were easily done previously. **DO NOT CONTINUE** using product with its power pack in a depleted condition.
6. To prolong power pack life, avoid leaving the power pack on charge for extended periods of time (over 30 days without use). Although overcharging is not a safety concern, it can significantly reduce overall power pack life.
7. The power pack will reach optimum performance after being cycled 5 times during normal usage. There is no need to run the batteries down completely before recharging. Normal usage is the best method of discharging and recharging the batteries.

## Safety warnings and Instructions: Drills

1. Hold drill firmly with one hand on the grip and the other hand on the side handle as shown in figure E.
2. When attaching accessories in the drill chuck, hand tighten the keyless chuck firmly.

 **Warning!** Drill may stall (if overloaded or improperly used) causing a twist. Always expect the stall. Grip the drill firmly to control the twisting action and prevent loss of control which could cause personal injury. If a stall does occur, release the trigger immediately and determine the reason for the stall before re-starting.

## OPERATING INSTRUCTIONS


### Trigger Switch & Forward/Reverse Button - Figure F

The drill is turned ON and OFF by pulling and releasing the trigger switch figure F. The farther the trigger is depressed, the higher the speed of the drill. A forward/reverse control button determines the direction of the tool and also serves

as a lock off button. To select forward rotation, release the trigger switch and depress the forward/reverse control button. To select reverse, depress the forward/reverse control button in the opposite direction. The center position of the control button locks the tool in the off position. When changing the position of the control button, be sure the trigger is released.

### Adjusting Torque Control - Figure G


This tool is fitted with a torque adjustment collar (3) to select the operating mode and to set the torque for tightening screws. Large screws and hard workpiece materials require a higher torque setting than small screws and soft workpiece materials.

- For drilling in wood, metal and plastics, set the collar to the drilling position symbol .
- For screw driving, set the collar to the desired setting. If you do not yet know the appropriate setting, proceed as follows:
  - Set the collar to the lowest torque setting.
  - Tighten the first screw.
  - If the clutch ratchets before the desired result is achieved, increase the collar setting and continue tightening the screw. Repeat until you reach the correct setting. Use this setting for the remaining screws.

### Keyless Chuck

To insert a drill bit or other accessory:

1. Grasp the chuck (5) and rotate it in the counterclockwise direction, as viewed from the chuck end.
2. Insert the bit or other accessory fully into the chuck, and tighten securely by rotating the chuck in the clockwise direction as viewed from the chuck end.

 **WARNING:** Do not attempt to tighten drill bits (or any other accessory) by gripping the front part of the chuck and turning the tool. Damage to the chuck and personal injury may occur when changing accessories.

### QUICK CONNECT™ BIT CHANGE SYSTEM-FIGURE H

Another unique feature of your drill is the ability to remove the chuck quickly and easily. This allows for a drill bit to be in the keyless chuck, while another accessory such as a screwdriver bit, can be inserted into the Quick Connect™ hex shaft at the same time.

#### To remove the chuck:

1. Grasp the drill and depress the two orange buttons on the chuck collar as shown in Figure H.
2. With the buttons depressed, pull straight out.

#### To replace the chuck:

1. Push the quick connect chuck straight on with a slight twisting motion until you hear it click into place. To

- insert a screwdriver bit into the Quick Connect™ hex shaft, push the bit in until you hear it click into place.
2. To remove the bit, hold the drill as shown in figure I. Push in evenly on the spring loaded disc with two fingers and pull the bit straight out. Do not use the 1 inch bits without the magnetic bit holder.

### Screw Driving

(Button pushed to the right) for removing fasteners. When moving from forward to reverse, or vice versa, always release the trigger switch first.

### On Board Bit Storage

A bit storage slot is built-in to the area just above the battery.

#### Drilling

- Use sharp drill bits only.
- Support and secure work properly, as instructed in the Safety Instructions.
- Use appropriate and required safety equipment, as instructed in the Safety Instructions.
- Secure and maintain work area, as instructed in the Safety Instructions.
- Run the drill very slowly, using light pressure, until the hole is started enough to keep the drill bit from slipping out of it.
- Apply pressure in a straight line with the bit. Use enough pressure to keep the bit biting but not so much as to stall the motor or deflect the bit.
- Hold the drill firmly with one hand on the grip and the other hand on the bottom of the battery pack to control its twisting action.
- DO NOT CLICK THE TRIGGER OF A STALLED DRILL OFF AND ON IN AN ATTEMPT TO START IT. DAMAGE TO THE DRILL CAN RESULT.
- Minimize stalling on break through by reducing pressure and slowly drilling through the last part of the hole.
- Keep the motor running while pulling the bit out of a drilled hole. This will help reduce jamming.
- Make sure switch turns drill on and off.

### Drilling in Wood

Holes in wood can be made with the same twist drill bits used for metal or with spade bits. These bits should be sharp and should be pulled out frequently when drilling to clear chips from the flutes.

### Drilling in Metal

Use a cutting lubricant when drilling metals. The exceptions are cast iron and brass which should be drilled dry. The cutting lubricants that work best are sulfurized cutting oil or lard oil.

### Drilling in Masonry

Use carbide tipped masonry bits. Refer to Drilling section.

## Drilling in Masonry

Use carbide tipped masonry bits. Refer to Drilling section. Keep even force on the drill but not so much that you crack the brittle material. As smooth, even flow of dust indicates the proper drilling rate.

## MAINTENANCE

Your Black & Decker tool has been designed to operate over a long period of time with a minimum of maintenance. Continuous satisfactory operation depends upon proper tool care and regular cleaning.

- Regularly clean the ventilation slots in your tool using a soft brush or dry cloth.
- Regularly clean the motor housing using a damp cloth. Do not use any abrasive or solvent-based cleaner. Never let any liquid get inside the tool and never immerse any part of the tool into liquid.

## PROTECTING THE ENVIRONMENT



Separate collection. This product must not be disposed of with normal household waste.

Should you find one day that your Black & Decker product needs replacement, or if it is of no further use to you, do not dispose of it with household waste. Make this product available for separate collection.



Separate collection of used products and packaging allows materials to be recycled and used again. Re-use of recycled materials helps prevent environmental pollution and reduces the demand for raw materials.

## NOTE

Local regulations may provide for separate collection of electrical products from the household, at municipal waste sites or by the retailer when you purchase a new product. Black & Decker provides a facility for the collection and recycling of Black & Decker products once they have reached the end of their working life. To take advantage of this service please return your product to any authorised repair agent who will collect them on our behalf. You can check the location of your nearest authorised repair agent by contacting your local Black & Decker office at the address indicated in this manual. Alternatively, a list of authorised Black & Decker repair agents and full details of our after-sales service and contacts are available on the Internet at [www.blackanddecker.com](http://www.blackanddecker.com).

## GUARANTEE

### Four-Year Home Use Warranty

Black & Decker will repair, without charge, any defects due to faulty materials or workmanship for three years from the date of purchase. Please return the complete unit,

transportation prepaid, to any Black & Decker Service Centre, or any authorised service station.

For warranty repair information, call (Australia) 1800 654 155 or (New Zealand) 0800 339 258. This warranty does not apply to:

- Accessories
- Damage caused where repairs have been made or attempted by others.
- Damage due to misuse, neglect, wear and tear, alteration or modification.

This warranty gives you specific legal rights and you may have other rights under the provisions of the Consumer Guarantee Act 1993 (New Zealand only), Trade Practices Act 1974 and State Legislation (Australia only). In addition to the warranty, Black & Decker tools are covered by our:

### Free One Year Service Contract

Black & Decker will also maintain the tool for free at any time during the first year of purchase. This includes labour, parts and lubrication required to restore the product to sound mechanical and/or electrical condition. Normal wear parts are not covered in this service. Carbon brushes worn more than 50% will be replaced.

**NOTE:** 4-Year warranty is not applicable to items deemed as consumables. Black & Decker Reserves the right to review its warranty policy prior to launch of any new business development products.

Contact Information

Australia

Black & Decker  
20 Fletcher Road, Mooroolbark,  
Victoria, 3138

Tel. 03-8720 5100  
Fax. 03-9727 5940

New Zealand

Black & Decker  
5 Te Apunga Place  
Mt Wellington  
Auckland 1060

Tel. 0800 339 258  
Fax. 09 259 1122

Contact your local council for disposal information.