

Intended use

Your BLACK+DECKER™ BCS601 jig saw has been designed for sawing wood, plastics and sheet metal. This tool is intended for consumer use only.

DO NOT use under wet conditions or in presence of flammable liquids or gases.

DO NOT let children come into contact with the tool. Supervision is required when inexperienced operators use this tool.

General power tool safety warnings



Warning! Read all safety warnings and all instructions. Failure to follow the warnings and instructions may result in electric shock, fire and/or serious injury.

Save all warnings and instructions for future reference

The term “power tool” in the warnings refers to your mains-operated (corded) power tool or battery-operated (cordless) power tool.

1. Work area safety

- a. **Keep work area clean and well lit.**
Cluttered or dark areas invite accidents.
- b. **Do not operate power tools in explosive atmospheres, such as in the presence of flammable liquids, gases or dust.** Power tools create sparks which may ignite the dust or fumes.
- c. **Keep children and bystanders away while operating a power tool.** Distractions can cause you to lose control.

2. Electrical safety

- a. **Power tool plugs must match the outlet. Never modify the plug in any way. Do not use any adapter plugs with earthed (grounded) power tools.** Unmodified plugs and matching outlets will reduce risk of electric shock.
- b. **Avoid body contact with earthed or grounded surfaces such as pipes, radiators, ranges and refrigerators.** There is an increased risk of electric shock if your body is earthed or grounded.

- c. **Do not expose power tools to rain or wet conditions.** Water entering a power tool will increase the risk of electric shock.
- d. **Do not abuse the cord. Never use the cord for carrying, pulling or unplugging the power tool. Keep cord away from heat, oil, sharp edges or moving parts.** Damaged or entangled cords increase the risk of electric shock.
- e. **When operating a power tool outdoors, use an extension cord suitable for outdoor use.** Use of a cord suitable for outdoor use reduces the risk of electric shock.
- f. **If operating a power tool in a damp location is unavoidable, use a ground fault circuit interrupter (GFCI) protected supply.** Use of a GFCI reduces the risk of electric shock.

3. Personal safety

- a. **Stay alert, watch what you are doing and use common sense when operating a power tool. Do not use a power tool while you are tired or under the influence of drugs, alcohol or medication.** A moment of inattention while operating power tools may result in serious personal injury.
- b. **Use personal protective equipment. Always wear eye protection.** Protective equipment such as dust mask, non-skid safety shoes, hard hat, or hearing protection used for appropriate conditions will reduce personal injuries.
- c. **Prevent unintentional starting. Ensure the switch is in the off position before connecting to power source and/or battery pack, picking up or carrying the tool.** Carrying power tools with your finger on the switch or energizing power tools that have the switch on invites accidents.
- d. **Remove any adjusting key or wrench before turning the power tool on.** A wrench or a key left attached to a rotating part of the power tool may result in personal injury.
- e. **Do not overreach. Keep proper footing and balance at all times.** This enables better control of the power tool in unexpected situations.

- f. Dress properly. Do not wear loose clothing or jewelry. Keep your hair, clothing and gloves away from moving parts.** Loose clothes, jewelry or long hair can be caught in moving parts.
- g. If devices are provided for the connection of dust extraction and collection facilities, ensure these are connected and properly used.** Use of dust collection can reduce dust-related hazards.
- 4. Power tool use and care**
- a. Do not force the power tool. Use the correct power tool for your application.** The correct power tool will do the job better and safer at the rate for which it was designed.
- b. Do not use the power tool if the switch does not turn it on and off.** Any power tool that cannot be controlled with the switch is dangerous and must be repaired.
- c. Disconnect the plug from the power source and/or the battery pack from the power tool before making any adjustments, changing accessories, or storing power tools.** Such preventive safety measures reduce the risk of starting the power tool accidentally.
- d. Store idle power tools out of the reach of children and do not allow persons unfamiliar with the power tool or these instructions to operate the power tool.** Power tools are dangerous in the hands of untrained users.
- e. Maintain power tools. Check for misalignment or binding of moving parts, breakage of parts and any other condition that may affect the power tool's operation.** If damaged, have the power tool repaired before use. Many accidents are caused by poorly maintained power tools.
- f. Keep cutting tools sharp and clean.** Properly maintained cutting tools with sharp cutting edges are less likely to bind and are easier to control.
- g. Use the power tool, accessories and tool bits, etc. in accordance with these instructions, taking into account the working conditions and the work to be performed.** Use of the power tool for operations different from those intended could result in a hazardous situation.
- 5. Battery tool use and care**
- a. Recharge only with the charger specified by the manufacturer.** A charger that is suitable for one type of battery pack may create a risk of fire when used with another battery pack.
- b. Use power tools only with specifically designated battery packs.** Use of any other battery packs may create a risk of injury and fire.
- c. When battery pack is not in use, keep it away from other metal objects, like paper clips, coins, keys, nails, screws, or other small metal objects, that can make a connection from one terminal to another. Shorting the battery terminals together may cause burns or a fire.**
- d. Under abusive conditions, liquid may be ejected from the battery; avoid contact. If contact accidentally occurs, flush with water.** If liquid contacts eyes, additionally seek medical help. Liquid ejected from the battery may cause irritation or burns.
- 6. Service**
- a. Have your power tool serviced by a qualified repair person using only identical replacement parts.** This will ensure that the safety of the power tool is maintained.
- Jig saw safety warnings**
- Hold power tool by insulated gripping surfaces, when performing an operation where the cutting accessory may contact hidden wiring. Cutting accessory contacting a “live” wire may make exposed metal parts of the power tool “live” and could give the operator an electric shock.
 - Use clamps or another practical way to secure and support the workpiece to a stable platform. Holding the work by hand or against your body leaves it unstable and may lead to loss of control.

- Keep hands away from cutting area. Never reach underneath the material for any reason. Hold front of saw by grasping the contoured gripping area. Do not insert fingers or thumb into the vicinity of the reciprocating blade and blade clamp. Do not stabilize the saw by gripping the shoe.
- Keep blades sharp. Dull blades may cause the saw to swerve or stall under pressure.
- Use extra caution when cutting overhead and pay particular attention to overhead wires which may be hidden from view. Anticipate the path of falling branches and debris ahead of time.
- When cutting pipe or conduit ensure that they are free from water, electrical wiring, etc.

Save these instructions

Additional safety information



Warning: ALWAYS use safety glasses. Everyday eyeglasses are NOT safety glasses. Also use face or dust mask if cutting operation is dusty. ALWAYS WEAR certified safety equipment:

- ANSI Z87.1 eye protection (CAN/CSA Z94.3),
- ANSI S12.6 (S3.19) hearing protection,
- NIOSH/OSHA/MSHA respiratory protection.



Warning: Some dust created by power sanding, sawing, grinding, drilling, and other construction activities contains chemicals known to the State of California to cause cancer, birth defects or other reproductive harm. Some examples of these chemicals are:

- Lead from lead-based paints,
- Crystalline silica from bricks and cement and other masonry products, and
- Arsenic and chromium from chemically-treated lumber.

Your risk from these exposures varies, depending on how often you do this type of work. To reduce your exposure to these

chemicals: work in a well ventilated area, and work with approved safety equipment, such as those dust masks that are specially designed to filter out microscopic particles.

- Avoid prolonged contact with dust from power sanding, sawing, grinding, drilling, and other construction activities. Wear protective clothing and wash exposed areas with soap and water. Allowing dust to get into your mouth, eyes, or lay on the skin may promote absorption of harmful chemicals.



Warning: Use of this tool can generate and/or disperse dust, which may cause serious and permanent respiratory or other injury. Always use NIOSH/OSHA approved respiratory protection appropriate for the dust exposure. Direct particles away from face and body.



Warning: Always wear proper personal hearing protection that conforms to ANSI S12.6 (S3.19) during use. Under some conditions and duration of use, noise from this product may contribute to hearing loss.



Caution: When not in use, place tool on its side on a stable surface where it will not cause a tripping or falling hazard. Some tools with large battery packs will stand upright on the battery pack but may be easily knocked over.

- Air vents often cover moving parts and should be avoided. Loose clothes, jewelry or long hair can be caught in moving parts. If use of an extension cord is absolutely necessary outdoors, use an extension cord suitable for outdoor use.

The label on your tool may include the following symbols. The symbols and their definitions are as follows:

Labels on tool

The label on your tool may include the following symbols:



Warning! To reduce the risk of injury, the user must read the instruction manual.



The charger is intended for indoor use only.



Read this entire manual carefully before using the appliance.

Position of date barcode

The Date Code, which also includes the year of manufacture, is printed into the housing. Example:

2017 XX JN
Year of manufacturing

Electrical safety



Your charger is double insulated; therefore no earth wire is required.

Always check that the mains voltage corresponds to the voltage on the rating plate. Never attempt to replace the charger unit with a regular mains plug.

- If the supply cord is damaged, it must be replaced by the manufacturer or an authorised BLACK+DECKER Service Centre in order to avoid a hazard.

Batteries

The battery pack is not fully charged out of the carton. Before using the battery pack, read the safety instructions below and then follow charging procedures outlined. When ordering replacement battery packs, be sure to include the catalog number and voltage.

Read all instructions

Important safety instructions for all battery packs



Warning: Read all safety warnings and all instructions for the battery pack, and power tool. Failure to follow the warnings and instructions may result in electric shock, fire and/or serious injury.

- Do not charge or use the battery pack in explosive atmospheres, such as in the presence of flammable liquids, gases or dust. Inserting or removing the charging cable from the battery pack may ignite the dust or fumes.
- Never force the battery pack into cable insertion or tool insertion.
- Do not modify the battery pack in any way as battery pack may rupture causing serious personal injury.
- Do not splash or immerse in water or other liquids.
- Do not store or use the tool and battery

pack in locations where the temperature may reach or exceed 104 °F (40 °C) (such as outside sheds or metal buildings in summer). For best life store battery packs in a cool, dry location.

Note: Do not store the battery packs in a tool with the trigger switch locked on. Never tape the trigger switch in the ON position.

- Do not incinerate the battery pack even if it is severely damaged or is completely worn out. The battery pack can explode in a fire. Toxic fumes and materials are created when lithium ion battery packs are burned.
- If battery contents come into contact with the skin, immediately wash area with mild soap and water. If battery liquid gets into the eye, rinse water over the open eye for 15 minutes or until irritation ceases. If medical attention is needed, the battery electrolyte is composed of a mixture of liquid organic carbonates and lithium salts.
- Contents of opened battery cells may cause respiratory irritation. Provide fresh air. If symptoms persist, seek medical attention.



Warning: Burn hazard. Battery liquid may be flammable if exposed to spark or flame.



Warning: Fire hazard. Never attempt to open the battery pack for any reason. If the battery pack case is cracked or damaged, do not attempt to use or charge. Do not crush, drop or damage the battery pack. Do not use a battery pack or charger that has received a sharp blow, been dropped, run over or damaged in any way (e.g., pierced with a nail, hit with a hammer, stepped on). Damaged battery packs should be returned to the service center for recycling

Storage recommendations

1. The best storage place is one that is cool and dry, away from direct sunlight and excess heat or cold.
2. For long storage, it is recommended to store a fully charged battery pack in a cool dry place out of the charger for optimal results.

Note: Battery packs should not be stored completely depleted of charge. The battery pack will need to be recharged before use.

The RBRC® Seal

The RBRC® (Rechargeable Battery Recycling Corporation) Seal on the nickel cadmium, nickel metal hydride or lithium-ion batteries (or battery packs) indicates that the costs to recycle these batteries (or battery packs) at the end of their useful life have already been paid by BLACK+DECKER. In some areas, it is illegal to place spent nickel cadmium, nickel metal hydride or lithium-ion batteries in the trash or municipal solid waste stream and the Call 2 Recycle® program provides an environmentally conscious alternative.



Call 2 Recycle, Inc., in cooperation with BLACK+DECKER and other battery users, has established the program in the United States and Canada to facilitate the collection of spent nickel cadmium, nickel metal hydride or lithium-ion batteries. Help protect our environment and conserve natural resources by returning the spent nickel cadmium, nickel metal hydride or lithium-ion batteries to an authorized BLACK+DECKER service center or to your local retailer for recycling. You may also

contact your local recycling center for information on where to drop off the spent battery. RBRC® is a registered trademark of Call 2 Recycle, Inc.

Important charging notes

1. Longest life and best performance can be obtained if the battery pack is charged when the air temperature is between 65 °F - 75 °F (18 ° - 24 °C). DO NOT charge the battery pack in an air temperature below 40 °F (4.5 °C), or above 104 °F (40 °C). This is important and will prevent serious damage to the battery pack.
2. If the battery pack does not charge properly:
 - a. Check operation of receptacle by plugging in a lamp or other appliance;
 - b. Check to see if receptacle is connected to a light switch which turns power off when you turn out the lights;
 - c. Move the power adapter and battery pack to a location where the surrounding air temperature is approximately 65 °F - 75 °F (18 ° - 24 °C);
3. If charging problems persist, take the tool, battery pack and USB cable to your local service center.
3. The battery pack should be recharged when it fails to produce sufficient power on jobs which were easily done previously. Do not continue to use under these conditions. Follow the charging procedure. You may also charge a partially used pack whenever you desire with no adverse effect on the battery pack.

Transportation



Warning: Fire hazard. Do not store or carry the battery pack so that metal objects can contact exposed battery terminals. For example, do not place the battery pack in aprons, pockets, tool boxes, product kit boxes, drawers, etc., with loose nails, screws, keys, etc.

with loose nails, screws, keys, etc.

Transporting batteries can possibly cause fires if the battery terminals inadvertently come in contact with conductive materials such as keys, coins, hand tools and the like.

The US Department of Transportation Hazardous Material Regulations (HMR) actually prohibit transporting batteries in commerce or on airplanes in carry-on baggage UNLESS they are properly protected from short circuits. So when transporting individual battery packs, make sure that the battery terminals are protected and well insulated from materials that could contact them and cause a short circuit.



Caution: GoPak battery terminal cap should be used when battery is not connected to a power tool.

Terminal cap is provided for use whenever the battery is out of the tool. Remove cap before placing battery into tool.

FCC requirements for all digital devices

This device complies with Part 15 of the FCC Rules and Industry Canada License-exempt RSS standard(s). Operation is subject to the following two conditions:

1. This device may not cause harmful interference, and
2. This device must accept any interference received, including interference that may cause undesired operation.

Changes or modifications not expressly approved by the party responsible for compliance could void the user's authority to operate the equipment.

This equipment has been tested and found to comply with the limits for a Class B digital device, pursuant to Part 15 of the FCC Rules. These limits are designed to provide reasonable protection against harmful interference in a residential installation. This equipment generates, uses, and can radiate radio frequency energy and, if not installed and used in accordance with the instructions, may cause harmful interference to radio communications. However, there is no guarantee that interference will not occur in a particular

installation. If this equipment does cause harmful interference to radio or television reception, which can be determined by turning the equipment off and on, the user is encouraged to try to correct the interference by one of the following measures:

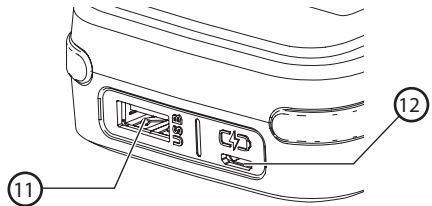
- Reorient or relocate the receiving antenna.
- Increase the separation between the equipment and receiver.
- Connect the equipment into an outlet on a circuit different from that to which the receiver is connected.
- Consult the dealer or an experienced radio/TV technician for help.

CAN ICES-3(B)/NMB-3(B)

Getting started

- The Micro USB port (12) on the BLACK+DECKER GoPak 2 in 1 battery is only to be used for charging the GoPak.
- The USB A port (11) on the BLACK+DECKER GoPak 2 in 1 battery is only to be used for powering USB devices (Phone/Tablet/MP3/Wearable/Game Controller/etc.).

Fig. B



Charging the BLACK+DECKER GoPak 2 in 1 battery (Fig. C, D)



Warning: Never attempt to charge the BLACK+DECKER GoPak 2 in 1 battery using the tool terminals on the GoPak.

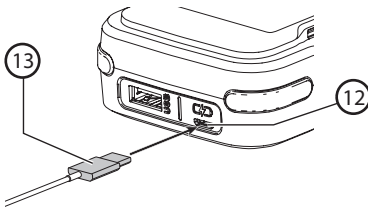


Warning: You should only charge the BLACK+DECKER GoPak 2 in 1 battery using UL or CSA approved USB ports rated for charging high performance devices.

An error message may display on your computer if the computer is used to charge the GoPak.

1. Plug the micro USB cable (included) (13) into a USB power supply (not included).
2. Plug the micro USB plug of your charger cord into the GoPak micro USB port (12).
3. As the GoPak charges, the state of charge LEDs will illuminate. The illuminated LED(s) indicate the state of charge of the pack. The blinking LED indicates the next level of charge in progress. The state of charge button (9) is disabled during charging only.
4. The completion of charge is indicated by all four LEDs turning off. Pressing the state of charge indicator button (9) will illuminate all four LEDs. The battery is fully charged and may be used at this time or left on the charger.
5. Recharge discharged batteries as soon as possible after use or battery life may be greatly diminished. For longest battery life, do not discharge batteries fully. It is recommended that the batteries be recharged after each use.

Fig. C



State of charge indicator (Fig. D)

The BLACK+DECKER GoPak 2 in 1 battery is equipped with a state of charge button (9) with a four LED display.

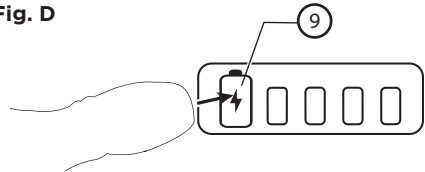
The state of charge is an indication of approximate levels of charge remaining in the battery according to the following indicators:

	96-100% charged
	76-95%
	51-75%
	26-50%
	Pack needs to be charged

To actuate the state of charge, press the state of charge Indicator button. A combination of the four LEDs will illuminate designating the level of charge left. When the level of charge in the battery is below the usable limit, the state of charge LEDs will either not light or the bottom LED will blink.

Note: The state of charge LED will only display once the state of charge button is pressed.

Fig. D



- Press state of charge button at anytime to display the remaining level of charge.

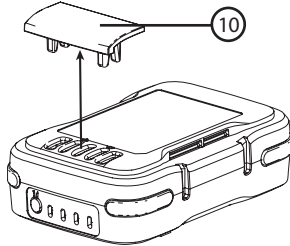
Note: The state of charge Indicator is only an indication of the charge left on the battery. It does not indicate tool functionality and is subject to variation based on product components, temperature and end-user application.

Note: GoPak battery terminal cap should be used when battery is not connected to a power tool. Terminal cap is provided for use whenever the battery is out of the tool. Remove cap before placing battery into tool.

GoPak tool terminal cap

A battery storage and carrying cap (10) is provided for use whenever the battery is out of the tool. Remove the cap as shown in Figure E before placing battery onto tool.

Fig. E



Components (Fig. A)



Warning: Never modify the power tool or any part of it. Damage or personal injury could result.

Refer to Figure A at the beginning of this manual for a complete list of components.

Assembly and adjustments



Warning: To reduce the risk of serious personal injury, turn unit off and remove the battery pack before making any adjustments or removing/installing attachments or accessories. An accidental start-up can cause injury.



Warning: Laceration Hazard. Before attempting any of the following operations, make sure that the tool is switched off and the battery is removed, and that the saw blade has stopped. Used saw blades can be hot.



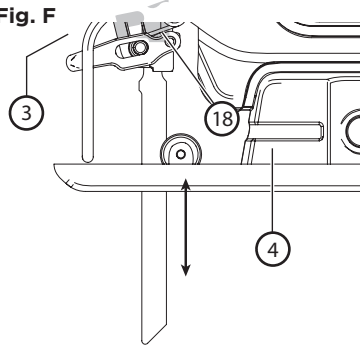
Warning: Remove battery when removing or installing the blade

Fitting the saw blade (Fig. A, F)

1. Hold the saw blade (5) as shown, with teeth facing forward.

2. Push the locking lever (3) up away from the shoe (4) .
3. With the teeth facing forward, insert the shank of the saw blade into the blade holder (18) as far as it will go.
4. Release the lever.
5. Pull blade to be sure the blade is fully secured.

Fig. F



Operation



Warning: To reduce the risk of serious personal injury, turn unit off and remove the battery pack before making any adjustments or removing/installing attachments or accessories. An accidental start-up can cause injury.



Warning: To reduce the risk of injury, never use the tool when the saw shoe is loose or removed

Installing and removing the GoPak 2 in 1 battery in a power tool (Fig.G)



Warning: Remove any connected USB cords from the BLACK+DECKER GoPak 2 in 1 battery before connecting the GoPak to the compatible tool.

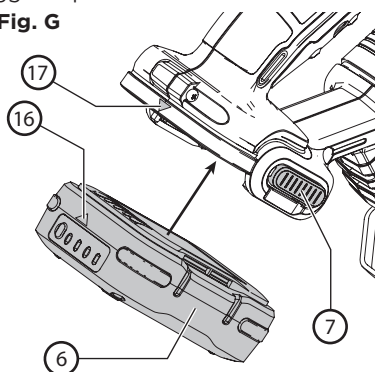
1. Remove the tool terminal cap if installed on the BLACK+DECKER GoPak 2 in 1 battery.
2. To power a compatible GoPak 12V MAX* power tool, align the tool terminals on the foot of the tool with the terminal slots on the battery (6) as shown in Fig. G.

Note: The state of charge indicator will face the rear of the tool and the USB ports will face the front. The arrow on the battery will align with the arrow on the tool as shown in Fig. G.

3. Snap the BLACK+DECKER GoPak 2 in 1 battery into the foot of the tool. The arrow (16) on the battery will align with the arrow (17) on the tool. Ensure the battery is fully seated and fully latched into position before using.
4. To remove the BLACK+DECKER GoPak 2 in 1 battery from the tool, depress the two battery release buttons (7) located on the tool and pull the BLACK+DECKER GoPak 2 in 1 battery off the tool.

Note: The BLACK+DECKER GoPak 2 in 1 battery USB ports are disabled when the trigger is pulled.

Fig. G

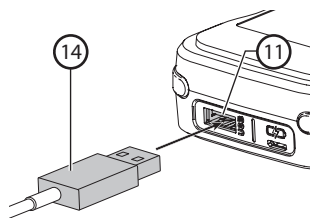


Using the GoPak 2 in 1 battery to charge your USB device (Fig. H)

1. Plug the USB A end of your device specific cable (14) into the BLACK+DECKER GoPak 2 in 1 battery (11) and the other end of the cable into a UL or CSA listed compatible device

(Phone/Tablet/MP3/Wearable/Game Controller/etc.). Charging will start automatically.

Fig. H



Functionality

The BLACK+DECKER GoPak 2 in 1 battery can power your compatible BLACK+DECKER 12 V GoPak MAX* tools or power/charge your mobile devices. The compact, slim battery housing is designed for portability.

- GoPak Charge Input: Up to 2.4A**
- GoPak Power Output: Up to 2.4A***

** Actual input charge rate is dependant upon power adapter (not included).

***Actual output rate is dependant on the device.

USB power port

The BLACK+DECKER GoPak 2 in 1 battery is equipped with a USB Type A power port. It delivers up to 2.4 amp total current.

Note: The current delivered to device is dependent on user device and user's chosen cable.



Warning: Ensure the terminal cap is securely attached to the BLACK+DECKER GoPak 2 in 1 battery when using it to power/charge your device.

- Install terminal cap on the tool terminals.
- Device charging from USB will start automatically when device is connected.
- To turn off, disconnect USB device.

Proper hand position (Fig. I)



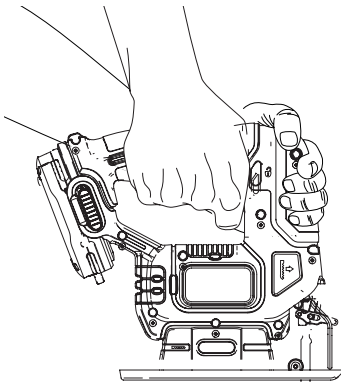
Warning: To reduce the risk of serious personal injury, always use proper hand position as shown.



Warning: To reduce the risk of serious personal injury, always hold securely in anticipation of a sudden reaction.

Proper hand position requires one hand on the main handle and one hand on the auxiliary handle.

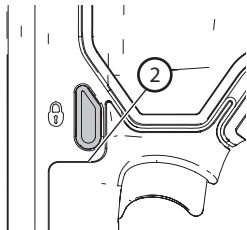
Fig. I



Switching on and off (Fig. A, J)

This tool is equipped with a lock-off button (2). The button must be disengaged for the jig saw to turn on. To disengage the button, depress the button on the side of the handle that shows the unlock symbol.

Fig. J

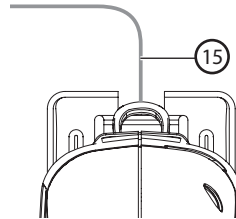


- To switch the tool on, press the variable speed switch (1). The tool speed depends on how far you depress the switch.
- To switch the tool off, release the variable speed switch.

How to use the sightline® feature (Fig. K)

1. Use a pencil to mark the cutting line.
2. Position the jig saw over the line (15).
3. Viewing from directly above the jig saw, the line of cut can be easily followed.

Fig. K



Hints for optimum use

General

Use a high speed for wood, a medium speed for aluminum and PVC and a low speed for metals other than aluminum. Specific materials also require specialty blades (sold separately).

Sawing laminates

As the saw blade cuts on the upward stroke, splintering may occur on the surface closest to the shoe plate.

- Use a fine-tooth saw blade.
- Saw from the back surface of the workpiece.
- To minimize splintering, clamp a piece of scrap wood or hardboard to both sides of the workpiece and saw through this sandwich.

Sawing metal

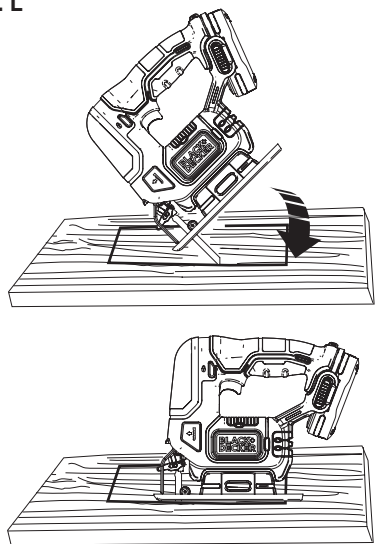
- Be aware that sawing metal takes much more time than sawing wood.
- Use a saw blade suitable for sawing metal.
- When cutting thin metal, clamp a piece of scrap wood to the back surface of the workpiece and cut through this sandwich.

- Spread a film of oil along the intended line of cut.

Pocket cutting (Fig. L)

A pocket cut is an easy method of making an inside cut. The saw can be inserted directly into a panel or board without first drilling a lead or pilot hole. In pocket cutting, measure the surface to be cut and mark clearly with a pencil. Next tip the saw forward until the front end of the shoe sits firmly on the work surface and the blade clears the work through its full stroke. Switch the tool on and allow it to attain maximum speed. Grip the saw firmly and lower the back edge of tool slowly until the shoe sits flat against the wood and continue cutting. Do not remove blade from cut while it is still moving. Blade must come to a complete stop.

Fig. L




Maintenance


Warning: To reduce the risk of serious personal injury, turn unit off and remove the battery pack before making any adjustments or removing/installing attachments or accessories. An accidental start-up can cause injury.

Important: To assure product safety and reliability, repairs, maintenance and adjustment (other than those listed in this manual) should be performed by authorized service centers or other qualified service personnel, always using identical replacement parts.

Protecting the environment

 Separate collection. This product must not be disposed of with normal household waste.

Should you find one day that your BLACK+DECKER product needs replacement, or if it is of no further use to you, do not dispose of it with household waste. Make this product available for separate collection.

 Separate collection of used products and packaging allows materials to be recycled and used again. Reuse of recycled materials helps prevent environmental pollution and reduces the demand for raw materials.

Local regulations may provide for separate collection of electrical products from the household, at municipal waste sites or by the retailer when you purchase a new product.

BLACK+DECKER provides a facility for the collection and recycling of BLACK+DECKER products once they have reached the end of their working life. To take advantage of this service please return your product to any authorised repair agent who will collect them on our behalf.

You can check the location of your nearest authorised repair agent by contacting your local BLACK+DECKER office at the address indicated in this manual. Alternatively, a list of authorised BLACK+DECKER repair agents and full details of our after-sales service and contacts are available on the Internet at: www.2helpU.com.

Cleaning

Warning: Never use solvents or other harsh chemicals for cleaning the non-metallic parts of the tool or power supply. These chemicals may weaken the plastic materials used in these parts. Use a cloth dampened only with water and mild soap. Never let any liquid get inside the tool

or power supply; never immerse any part of the tool or power supply into a liquid.

Note: Remove tool and both USB cables from GoPak before cleaning.

Use only mild soap and a damp cloth to clean the tool or power supply. Many household cleaners contain chemicals which could seriously damage plastic. Also, do not use gasoline, turpentine, lacquer or paint thinner, dry cleaning fluids or similar products.

Troubleshooting

1. **The GoPak will not power your device or charge.**
 - a. The LED closest to the state of charge button will blink red when attempting USB functionality.
 - The GoPak is too hot or too cold. Allow the GoPak to cool down or warm up.
2. The GoPak will not power your compatible tool.
 - Attempt to charge the battery. If the LED fails to come on refer to number 1 in Troubleshooting.

Repairs

The BLACK+DECKER GoPak 2 in 1 battery is not serviceable.



Warning: To assure product safety and reliability, repairs, maintenance and adjustment (including brush inspection and replacement) should be performed by a BLACK+DECKER factory service center or a BLACK+DECKER authorized service center. Always use identical replacement parts.

Technical data

BCS601		
Voltage	V _{DC}	12
No-load speed	Min ⁻¹	0-2800 SPM
Stroke Length	mm	16
Max depth of cut:		
Wood	mm	52
Steel	mm	5
Aluminium	mm	17
Weight	kg	1.19 (with battery 1.44)

Level of sound pressure according to EN 62841:

Sound pressure(L_{pA}) 69.6 dB(A), uncertainty(K)5 dB(A)

Sound power(L_{WA}) 90.6 dB(A), uncertainty(K)5 dB(A)

Vibration total values (triax vector sum) according to EN 62481:

Drilling into metal (a_{h,D})<5.2m/s², uncertainty (K) 1.5 m/s²

Screwdriving without impact (a_{h,M})<6.1m/s², uncertainty (K) 1.5 m/s²

The vibration emission level given in this information sheet has been measured in accordance with a standardised test given in EN 60745 and may be used to compare one tool with another. It may be used for a preliminary assessment of exposure.



Warning: The declared vibration emission level represents the main applications of the tool. However if the tool is used for different applications, with different accessories or poorly maintained, the vibration emission may differ. This may significantly increase the 1.5exposure level over the total working period.

An estimation of the level of exposure to vibration should also take into account the times when the tool is switched off or when it is running but not actually doing the job. This may significantly reduce the exposure level over the total working period.

Identify additional safety measures to protect the operator from the effects of vibration such as: maintain the tool and the accessories, keep the hands warm, organisation of work patterns.

Guarantee

BLACK+DECKER is confident of the quality of its products and offers an outstanding guarantee. This guarantee statement is in addition to and in no way prejudices your statutory rights.

If a BLACK+DECKER product becomes defective due to faulty materials, workmanship or lack of conformity, within 24 months from the date of purchase, BLACK+DECKER guarantees to replace defective parts, repair products subjected to fair wear and tear or replace such products to make sure of the minimum inconvenience to the customer unless:

- The product has been used for trade, professional or hire purposes.
- The product has been subjected to misuse or neglect.
- The product has sustained damage through foreign objects, substances or accidents.
- Repairs have been attempted by persons other than authorised repair agents or BLACK+DECKER service staff.

To claim on the guarantee, you will need to submit proof of purchase to the seller or an authorised repair agent. You can check the location of your nearest authorised repair agent by contacting your local BLACK+DECKER office at the address indicated in this manual. Alternatively, a list of authorised BLACK+DECKER repair agents and full details of our aftersales service and contacts are available on the Internet at: www.2helpU.com

Usage Prévu

Your BLACK+DECKER BCS601 jig saw has been designed for sawing wood, plastics and sheet metal. This tool is intended for consumer use only.

Avertissements de sécurité généraux pour les outils électriques



Avertissement! lire tous les avertissements de sécurité et toutes les directives. Le non-respect des avertissements et des directives pourrait se solder par un choc électrique, un incendie et/ou une blessure grave.

Conservé tous les avertissements et toutes les directives pour un usage ultérieur

Le terme « outil électrique » cité dans les avertissements se rapporte à votre outil électrique à alimentation sur secteur (avec fil) ou par piles (sans fil).

1. Sécurité du lieu de travail

- a. **Tenir l'aire de travail propre et bien éclairée.** Les lieux encombrés ou sombres sont propices aux accidents.
- b. **Ne pas faire fonctionner d'outils électriques dans un milieu déflagrant, tel qu'en présence de liquides, de gaz ou de poussières inflammables.** Les outils électriques produisent des étincelles qui pourraient enflammer la poussière ou les vapeurs.
- c. **Éloigner les enfants et les personnes à proximité pendant l'utilisation d'un outil électrique.** Une distraction pourrait en faire perdre la maîtrise à l'utilisateur.

2. Sécurité en matière d'électricité

- a. **Les fiches des outils électriques doivent correspondre à la prise. Ne jamais modifier la fiche d'aucune façon. Ne jamais utiliser de fiche d'adaptation avec un outil électrique mis à la terre.** Le risque de choc électrique sera réduit par l'utilisation de fiches non modifiées correspondant à la prise.

- b. **Éviter tout contact physique avec des**

surfaces mises à la terre comme des tuyaux, des radiateurs, des cuisinières et des réfrigérateurs. Le risque de choc électrique est plus élevé si votre corps est mis à la terre.

- c. **Ne pas exposer les outils électriques à la pluie ou à l'humidité.** La pénétration de l'eau dans un outil électrique augmente le risque de choc électrique.
- d. **Ne pas utiliser le cordon de façon abusive. Ne jamais utiliser le cordon pour transporter, tirer ou débrancher un outil électrique.** Tenir le cordon éloigné de la chaleur, de l'huile, des bords tranchants et des pièces mobiles. Les cordons endommagés ou enchevêtrés augmentent les risques de choc électrique.
- e. **Pour l'utilisation d'un outil électrique à l'extérieur, se servir d'une rallonge convenant à cette application.** L'utilisation d'une rallonge conçue pour l'extérieur réduira les risques de choc électrique.
- f. **S'il est impossible d'éviter l'utilisation d'un outil électrique dans un endroit humide, brancher l'outil dans une prise ou sur un circuit d'alimentation dotés d'un disjoncteur de fuite à la terre (GFCI).** L'utilisation de ce type de disjoncteur réduit les risques de choc électrique.

3. Sécurité personnelle

- a. **Être vigilant, surveiller le travail effectué et faire preuve de jugement lorsqu'un outil électrique est utilisé.** Ne pas utiliser d'outil électrique en cas de fatigue ou sous l'influence de drogues, d'alcool ou de médicaments. Un simple moment d'inattention en utilisant un outil électrique peut entraîner des blessures corporelles graves.
- b. **Utiliser des équipements de protection individuelle.** Toujours porter une protection oculaire. L'utilisation d'équipements de protection comme un masque antipoussière, des chaussures antidérapantes, un casque de sécurité ou des protecteurs auditifs lorsque la situation le requiert réduira les risques de blessures corporelles.

- c. Empêcher les démarrages intempestifs. S'assurer que l'interrupteur se trouve à la position d'arrêt avant de relier l'outil à une source d'alimentation et/ou d'insérer un bloc-piles, de ramasser ou de transporter l'outil.** Transporter un outil électrique alors que le doigt repose sur l'interrupteur ou brancher un outil électrique dont l'interrupteur est à la position de marche risque de provoquer un accident.
- d. Retirer toute clé de réglage ou clé avant de démarrer l'outil.** Une clé ou une clé de réglage attachée à une partie pivotante de l'outil électrique peut provoquer des blessures corporelles.
- e. Ne pas trop tendre les bras. Conserver son équilibre en tout temps.** Cela permet de mieux maîtriser l'outil électrique dans les situations imprévues.
- f. S'habiller de manière appropriée. Ne pas porter de vêtements amples ni de bijoux.** Garder les cheveux, les vêtements et les gants à l'écart des pièces mobiles. Les vêtements amples, les bijoux ou les cheveux longs risquent de rester coincés dans les pièces mobiles.
- g. Si des composants sont fournis pour le raccordement de dispositifs de dépoussiérage et de ramassage, s'assurer que ceux-ci sont bien raccordés et utilisés.** L'utilisation d'un dispositif de dépoussiérage peut réduire les dangers engendrés par les poussières.
- 4. Utilisation et entretien d'un outil électrique**
- a. Ne pas forcer un outil électrique. Utiliser l'outil électrique approprié à l'application.** L'outil électrique approprié effectuera un meilleur travail, de façon plus sûre et à la vitesse pour laquelle il a été conçu.
- b. Ne pas utiliser un outil électrique dont l'interrupteur est défectueux.** Tout outil électrique dont l'interrupteur est défectueux est dangereux et doit être réparé.
- c. Débrancher la fiche de la source d'alimentation et/ou du bloc-piles de l'outil électrique avant de faire tout réglage ou changement d'accessoire ou avant de ranger l'outil.** Ces mesures préventives réduisent les risques de démarrage accidentel de l'outil électrique.
- d. Ranger les outils électriques hors de la portée des enfants et ne permettre à aucune personne n'étant pas familière avec un outil électrique ou son mode d'emploi d'utiliser cet outil.** Les outils électriques deviennent dangereux entre les mains d'utilisateurs inexpérimentés.
- e. Entretien des outils électriques. Vérifier si les pièces mobiles sont mal alignées ou coincées, si des pièces sont brisées ou présentent toute autre condition susceptible de nuire au bon fonctionnement de l'outil électrique.** En cas de dommage, faire réparer l'outil électrique avant toute nouvelle utilisation. Beaucoup d'accidents sont causés par des outils électriques mal entretenus.
- f. S'assurer que les outils de coupe sont aiguisés et propres.** Les outils de coupe bien entretenus et affûtés sont moins susceptibles de se coincer et sont plus faciles à maîtriser.
- g. Utiliser l'outil électrique, les accessoires, les forets, etc. conformément aux présentes directives en tenant compte des conditions de travail et du travail à effectuer.** L'utilisation d'un outil électrique pour toute opération autre que celle pour laquelle il a été conçu est dangereuse.
- 5. Utilisation et entretien du bloc-piles**
- a. Ne recharger l'outil qu'au moyen du chargeur précisé par le fabricant.** L'utilisation d'un chargeur qui convient à un type de bloc-piles risque de provoquer un incendie s'il est utilisé avec un autre type de bloc-piles.
- b. Utiliser les outils électriques uniquement avec les blocs-piles conçus à cet effet.** L'utilisation de tout autre bloc-piles risque de causer des blessures ou un incendie.

c. **Lorsque le bloc-piles n'est pas utilisé, le tenir éloigné des objets métalliques, notamment des trombones, de la monnaie, des clés, des clous, des vis ou autres petits objets métalliques qui peuvent établir une connexion entre les deux bornes.** Le court-circuit des bornes du bloc-piles risque de provoquer des brûlures ou un incendie.

d. **En cas d'utilisation abusive, le liquide peut gicler hors du bloc-piles; éviter tout contact avec ce liquide.** Si un contact accidentel se produit, laver à grande eau. Si le liquide entre en contact avec les yeux, obtenir également des soins médicaux. Le liquide qui gicle hors du bloc-piles peut provoquer des irritations ou des brûlures.

6. Réparation

a. **Faire réparer l'outil électrique par un réparateur professionnel en n'utilisant que des pièces de rechange identiques.** Cela permettra de maintenir une utilisation sécuritaire de l'outil électrique.

Consignes de sécurité particulières

- Tenir l'outil électrique par sa surface de prise isolée dans une situation où l'accessoire de coupe pourrait entrer en contact avec un câble électrique dissimulé ou avec son propre cordon d'alimentation. Tout contact entre un fil « sous tension » et l'accessoire de coupe pourrait également mettre « sous tension » les pièces métalliques exposées de l'outil et électrocuter l'utilisateur.
- Utiliser des brides de fixation ou un autre dispositif de fixation permettant de fixer solidement et de soutenir la pièce sur une plateforme stable. Tenir la pièce avec la main ou contre son corps la rend instable et risque de provoquer une perte de maîtrise de l'outil.
- Tenir les mains éloignées de la zone de découpe. Ne jamais mettre la main sous le matériau pour quelque raison que ce soit. Tenir la partie avant de la scie par sa zone de prise profilée. Ne pas mettre les doigts ou le pouce à proximité de la scie alternative et du mécanisme de serrage de la lame. Ne pas stabiliser la scie en saisissant la semelle.

- Maintenir les lames affûtées. Les lames émoussées peuvent faire zigzaguer la lame ou la bloquer sous la pression.
- Soyez particulièrement prudent lorsque vous coupez des frais généraux et faire particulièrement attention aux fils électriques qui peuvent être dissimulés. Anticiper le chemin des chutes de branches et débris avance.
- Au moment de couper un tuyau ou un conduit, s'assurer qu'ils sont exempts d'eau, de câblage électrique, etc.
- Éviter tout contact prolongé avec la poussière soulevée par cet outil ou autres outils électriques. Porter des vêtements de protection et nettoyer les parties exposées du corps à l'eau savonneuse. **S'assurer de bien se protéger afin d'éviter d'absorber par la bouche, les yeux ou la peau des produits chimiques nocifs.**

Conserver ces directives consigne de sécurité supplémentaire



Avertissement : porter **systématiquement** des lunettes de protection. Les lunettes courantes NE sont PAS des lunettes de protection. Utiliser aussi un masque antipoussières si la découpe doit en produire beaucoup. Porter systématiquement un équipement de sécurité homologué :

- Protection oculaire ANSI Z87.1 (CAN/CSA Z94.3) ;
- Protection auditive ANSI S12.6 (S3.19) ;
- Protection des voies respiratoires NIOSH/OSHA/MSHA.



Avertissement : les scies, meules, ponceuses, perceuses ou autres outils de construction peuvent produire des poussières contenant des produits chimiques reconnus par l'État californien pour causer cancers, malformations congénitales ou être nocifs au système reproducteur. Parmi ces produits chimiques, on retrouve :

- Le plomb dans les peintures à base de plomb ;
- La silice cristallisée dans les briques et le ciment, ou autres produits de maçonnerie ; et
- L'arsenic et le chrome dans le bois ayant subi un traitement chimique.

Le risque associé à de telles expositions varie selon la fréquence à laquelle on effectue ces travaux. Pour réduire toute exposition à ces produits : travailler dans un endroit bien aéré, en utilisant du matériel de sécurité homologué, tel un masque antipoussières spécialement conçu pour filtrer les particules microscopiques.

- **Limiter toute exposition prolongée avec les poussières provenant du ponçage, sciage, meulage, perçage ou toute autre activité de construction. Porter des vêtements de protection et nettoyer à l'eau savonneuse les parties du corps exposées.** Le fait de laisser la poussière pénétrer dans la bouche, les yeux ou la peau peut favoriser l'absorption de produits chimiques dangereux.



Avertissement : cet outil peut produire et/ou répandre de la poussière susceptible de causer des dommages sérieux et

permanents au système respiratoire. Utiliser systématiquement un appareil de protection des voies respiratoires homologué par le NIOSH ou l'OSHA. Diriger les particules dans le sens opposé au visage et au corps.



Avertissement : pendant l'utilisation, porter systématiquement une protection auditive individuelle adéquate

homologuée ANSI S12.6 (S3.19). Sous certaines conditions et suivant la durée d'utilisation, le bruit émanant de ce produit pourrait contribuer à une perte de l'acuité auditive.



Attention : après utilisation, ranger l'outil sur son côté, sur une surface stable, là où il ne pourra ni faire trébucher ni faire chuter

quelqu'un. Certains outils équipés d'un large bloc-piles peuvent tenir à la verticale sur celui-ci, mais manquent alors de stabilité.

- Prendre des précautions à proximité des événements, car ils cachent des pièces mobiles. Vêtements amples, bijoux ou cheveux longs risquent de rester coincés dans ces pièces mobiles.
- Si l'utilisation d'une rallonge est absolument nécessaire à l'extérieur, utiliser une rallonge adéquate pour l'extérieur. Utiliser un cordon adéquat pour l'extérieur réduit les risques de chocs électriques.

L'étiquette apposée sur votre outil peut inclure les symboles suivants. Les symboles et leur définition sont indiqués ci-après :

Étiquettes sur l'outil

L'étiquette apposée sur votre outil peut afficher les symboles suivants :



Attention ! Pour réduire les risques de blessures, l'utilisateur doit lire le manuel d'instructions.



Le chargeur doit être utilisé uniquement à l'intérieur.



Avant d'utiliser cette machine lisez attentivement la totalité de ce manuel.

Position du code de la date

Le code de la date qui comporte également l'année de fabrication est imprimé sur le boîtier.

Exemple :

2017 XX JN

Année de fabrication

Sécurité électrique



Votre chargeur est doublement isolé; il n'y a donc pas besoin de faire une mise à la terre. Vérifiez si la tension de l'alimentation électrique est compatible avec la tension indiquée sur la plaque signalétique. N'essayez jamais de remplacer le chargeur par une fiche électrique normale.

- Si le cordon d'alimentation est endommagé ou défectueux il doit être réparé par le fabricant ou un réparateur BLACK+DECKER agréé afin d'éviter tout risque d'accident.

Blocs-piles

Le bloc-piles n'est pas totalement chargé d'usine. Avant d'utiliser le bloc-piles, lire les consignes de sécurité ci-après puis suivre la procédure de chargement indiquée. Pour commander un bloc-piles de rechange, s'assurer d'en inclure le numéro de catalogue et la tension.

Lire toutes les consignes

Consignes importantes de sécurité les blocs-piles



Avertissement : lisez tous les avertissements de sécurité et toutes les instructions du bloc-piles et de l'outil électrique.

Ne pas suivre les avertissements et les instructions peut entraîner un choc électrique, un incendie et/ou des blessures graves.

- **Ne pas charger ou utiliser le bloc-piles en atmosphères explosibles comme la présence de liquides inflammables, de gaz ou de poussière.** Insérer ou retirer le câble de chargement du bloc-piles peut enflammer la poussière ou les vapeurs.
- **Ne Jamais forcer le bloc-piles à s'insérer dans le câble ou l'outil. NE PAS modifier le bloc-piles de quelque façon que ce soit puisque cela peut causer des blessures corporelles.**
- **Ne pas** éclabousser le bloc-piles ou l'immerger dans l'eau ou dans tout autre liquide.
- **Ne pas entreposer ou utiliser l'appareil et le bloc-piles en présence de températures ambiantes pouvant excéder 40 °C (104 °F) (comme dans des hangars ou des bâtiments métalliques l'été).** Pour préserver leur durée de vie, entreposer les blocs-piles dans un endroit frais et sec.

Remarque : ne pas mettre un bloc-piles dans un outil dont la gâchette est verrouillée en position de marche. Ne jamais bloquer l'interrupteur en position de MARCHÉ.

- **Ne pas incinérer le bloc-piles même s'il est sévèrement endommagé ou complètement usagé,**

car il pourrait exploser et causer un incendie. Pendant l'incinération des blocs-piles au lithium-ion, des vapeurs et matières toxiques sont dégagées.

- **En cas de contact du liquide de la pile avec la peau, rincer immédiatement au savon doux et à l'eau.** En cas de contact oculaire, rincer l'oeil ouvert à l'eau claire une quinzaine de minutes ou jusqu'à ce que l'irritation cesse. Si des soins médicaux s'avéraient nécessaires, noter que l'électrolyte de la pile est composé d'un mélange de carbonates organiques liquides et de sels de lithium.
- Le contenu des cellules d'une pile ouverte peut causer une irritation respiratoire. En cas d'inhalation, exposer l'individu à l'air libre. Si les symptômes persistent, consulter un médecin.



Avertissement : risques de brûlure. Le liquide de la pile peut s'enflammer s'il est exposé à des étincelles ou à une flamme.



Avertissement : risques d'incendie. Ne jamais tenter d'ouvrir le bloc-piles pour quelque raison que ce soit. Si le boîtier du bloc-piles est fissuré ou endommagé, ne pas l'insérer dans un chargeur. Ne pas écraser, laisser tomber, ou endommager les blocs-piles. Ne pas utiliser un bloc-piles ou un chargeur qui a reçu un choc violent, ou si l'appareil est tombé, a été écrasé ou endommagé de quelque façon que ce soit (p. ex. percé par un clou, frappé d'un coup de marteau, piétiné). Les blocs-piles endommagés doivent être renvoyés à un centre de réparation pour y être recyclés.

Recommandations de stockage

1. Le lieu idéal de rangement est un lieu frais et sec, à l'abri de toute lumière solaire directe et de toute température excessive.
2. Pour un stockage prolongé, il est recommandé d'entreposer le bloc-piles pleinement chargé dans un lieu frais et sec, hors du chargeur pour optimiser les résultats.

Remarque : les blocs-piles ne devraient pas être entreposés complètement déchargés. Il sera nécessaire de recharger le bloc-piles avant réutilisation.

Le sceau SRPRC®

Le sceau SRPRC® (Société de recyclage des piles rechargeables du Canada) apposé sur une pile au nickel-cadmium, à hydrure métallique de nickel ou au lithium-ion (ou un bloc-piles) indique que les coûts de recyclage de ces derniers en fin d'utilisation ont déjà été réglés par BLACK+DECKER. Dans certaines régions, la mise au rebut ou aux ordures municipales des piles au nickel-cadmium, à l'hydrure métallique de nickel ou au lithium-ion, est illégale ; le programme de l'Appel à Recycler® constitue donc une solution pratique et écologique.



Appel à Recycler Canada, Inc., en collaboration avec BLACK+DECKER et d'autres utilisateurs de piles, a mis sur pied de programme aux États-Unis et au Canada pour faciliter la collecte des piles au nickel-cadmium, à l'hydrure métallique de nickel ou au lithium-ion usagées. Aidez-nous à protéger l'environnement et à conserver nos ressources naturelles en renvoyant les piles au nickel-cadmium, à l'hydrure métallique de nickel ou au lithium-ion usagées à un centre de réparation autorisé BLACK+DECKER ou chez votre détaillant afin qu'elles y soient recyclées. On peut en outre se renseigner auprès d'un centre de recyclage local pour connaître d'autres sites les acceptant.

SRPRC® est une marque déposée de l'Appel à Recycler Canada, Inc.

Remarques importantes concernant le chargement

1. Pour augmenter la durée de vie du bloc-piles et optimiser son rendement, le recharger à une température ambiante de 18 ° à 24 °C (65 °F à 75 °F). NE PAS recharger le bloc-piles à une température inférieure à + 4,5 °C (+ 40 °F) ou supérieure à + 40 °C (+ 104 °F). C'est important pour prévenir tout dommage sérieux au bloc-piles.
2. Si le bloc-piles ne se recharge pas correctement :
 - a. Vérifier le bon fonctionnement de la prise en y branchant une lampe ou tout autre appareil électrique.
 - b. Vérifier que la prise n'est pas contrôlée par un interrupteur qui coupe le courant lorsqu'on éteint les lumières.
 - c. Déplacez l'adaptateur d'alimentation et la batterie dans un endroit où température de l'air ambiant est d'environ 18 ° à 24 °C (65 ° à 75 °F);
 - d. Si les problèmes de chargement persistent, apportez l'outil, le bloc-piles et le câble USB dans votre centre de services local.
3. Recharger le bloc-piles lorsqu'il ne produit plus assez de puissance pour effectuer un travail qu'il faisait facilement auparavant. NE PAS CONTINUER à l'utiliser dans ces conditions. Suivre la procédure de charge. Si nécessaire, il est aussi possible de recharger un bloc-piles partiellement déchargé sans effet nuisible sur le bloc-piles.

Transport



Avvertissement : risques d'incendie. Au moment de ranger ou transporter le bloc-piles, veiller à protéger ses bornes à découvert de tout objet métallique. Par exemple, éviter de placer le bloc-piles dans un tablier, une poche, une boîte à outils ou un tiroir, etc. contenant des objets tels que clous, vis, clés, etc. Le fait de transporter des blocs-piles comporte des risques d'incendie, car les bornes des piles pourraient entrer, par inadvertance, en contact avec des objets conducteurs, tels que : clés, pièces de monnaie, outils ou autres. La réglementation sur les produits dangereux (Hazardous Material Regulations) du département américain des transports interdit, en fait, le transport des blocs-piles dans les commerces ou dans les avions dans les bagages de cabine, À MOINS qu'ils ne soient correctement protégés de tout court-circuit. Aussi lors du transport individuel de blocs-piles, s'assurer que leurs bornes sont bien protégées et isolées de tout matériau pouvant entrer en contact avec elles et provoquer un court-circuit.



Attention : le capuchon du bloc d'alimentation GoPak doit être utilisé lorsque le bloc d'alimentation n'est pas connecté à un outil électrique. Le capuchon de transport est destiné à être utilisé lorsque le bloc d'alimentation n'est pas connecté à l'outil. Retirez le capuchon avant de placer le bloc d'alimentation dans l'outil.

Exigences de la FCC pour tous les appareils numériques

Cet appareil est conforme à la Partie 15 des règles de la FCC et aux normes exemptes de licence RSS d'Industrie Canada. Le fonctionnement est assujéti à ces deux conditions :

1. Cet appareil ne doit pas provoquer d'interférences nuisibles et
2. Cet appareil doit accepter les interférences reçues, y compris les interférences susceptibles d'entraîner un fonctionnement indésirable.

Tout changement ou toute modification non expressément approuvé par la partie responsable de la conformité peut entraîner l'annulation du droit accordé à l'utilisateur d'opérer l'appareil.

Cette imprimante a été testée et est conforme aux limites des appareils numériques de classe B, en vertu de la Partie 15 des règles de la FCC. Ces limites sont prévues pour offrir une protection raisonnable contre le brouillage préjudiciable dans une installation résidentielle. Cet équipement génère, utilise et peut émettre de l'énergie de radiofréquences et, s'il n'est pas installé conformément aux instructions, peut causer du brouillage préjudiciable aux communications radio. Cependant, il n'y a aucune garantie que le brouillage ne se produira pas durant une installation particulière. Si cet équipement cause un brouillage préjudiciable à la réception de la radio ou de la télévision, qui peut être déterminé en allumant et en éteignant l'équipement, nous encourageons l'utilisateur à corriger le brouillage par une des mesures suivantes :

- Réorientez ou déplacez l'antenne de réception.

- Augmentez la distance entre l'équipement et le récepteur.
- Branchez l'équipement dans une prise sur un circuit différent de celui auquel le récepteur est branché.
- Consultez le détaillant ou un technicien en radio/télévision expérimenté pour de l'aide.

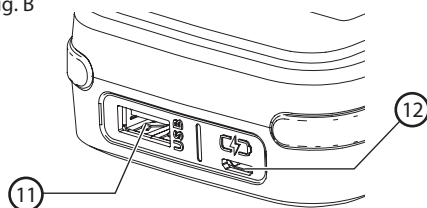
CAN ICES-3(B)/NMB-3(B)

Démarrer

- Le micro port USB (12) sur le bloc d'alimentation 2 en 1 GoPak de BLACK+DECKER peut seulement être utilisé pour le chargement de GoPak.
- Le port A USB (11) du bloc d'alimentation 2 en 1 GoPak de BLACK+DECKER peut seulement être utilisé pour

alimenter les appareils USB (téléphone/tablette/MP3/ordinateur vestimentaire/périphérique de jeu/etc.).

Fig. B



Chargement du bloc d'alimentation 2 en 1 GoPak de BLACK+DECKER (Fig. C, D)



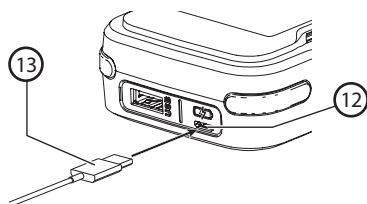
Avertissement : ne jamais tenter de charger le bloc d'alimentation 2 en 1 GoPak de BLACK+DECKER à l'aide des terminaux de l'outil sur le GoPak.



Avertissement : vous devez seulement charger le bloc d'alimentation 2 en 1 GoPak de BLACK+DECKER à l'aide des ports USV conçus pour le chargement d'appareils haute performance. Le GoPak peut laisser passer plus de courant qu'acceptable avec les anciens ports USB. Un message d'erreur peut s'afficher sur votre ordinateur si celui-ci est utilisé pour charger le GoPak.

1. Branchez le câble micro USB (comprise) (13) dans une alimentation USB (non comprise).
2. Branchez la fiche micro USB du cordon de votre chargeur dans le port micro USB GoPak (12).
3. Au fur et à mesure que le GoPak se charge, l'état des voyants DEL du chargement s'allumera. Les voyants DEL allumés indiquent l'état de chargement du bloc. Le clignotement des voyants DEL indique le niveau de chargement suivant en cours. Le bouton de l'état de chargement (9) est désactivé seulement durant le chargement.
4. La fin du chargement est indiquée par tous les quatre voyants DEL qui s'éteignent. Appuyer sur le bouton indicateur de l'état de chargement (9) allumera tous les quatre voyants DEL. Le bloc d'alimentation est complètement chargé et peut être utilisé à ce moment ou laissé sur le chargeur.
5. Rechargez le bloc d'alimentation dès que possible après utilisation ou la durée de vie du bloc d'alimentation peut diminuer énormément. Une durée de vie du bloc d'alimentation plus longue, ne pas le décharger complètement. Il est recommandé que le bloc d'alimentation soit rechargé après chaque utilisation.

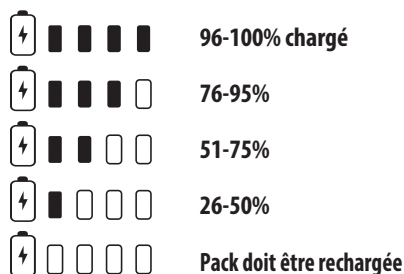
Fig. C



Indicateur de l'état du chargement (Fig. D)

Le bloc d'alimentation 2 en 1 GoPak de BLACK+DECKER est muni d'un bouton indicateur d'état de chargement (9) avec quatre afficheurs DEL.

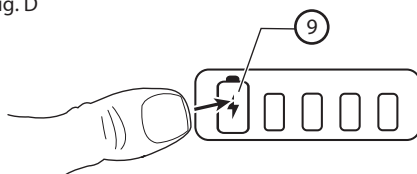
L'indicateur d'état de chargement est une indication des niveaux approximatifs du chargement restant dans le bloc d'alimentation selon les indicateurs suivants



Pour actionner l'indicateur de l'état de chargement, appuyez sur le bouton indicateur d'état de chargement. Une combinaison des quatre voyants DEL s'allumera désignant le niveau de chargement restant. Lorsque le niveau de chargement dans le bloc d'alimentation est inférieur à limite utilisable, les voyants DEL indicateurs de l'état de chargement ne s'allumeront pas ou le voyant DEL du bas clignotera.

Remarque : Les voyants DEL de l'état de chargement s'afficheront seulement une fois que vous appuyez sur le bouton de l'état de chargement.

Fig. D



- Appuyez sur le bouton de l'état de chargement en tout temps pour afficher le niveau de chargement restant.

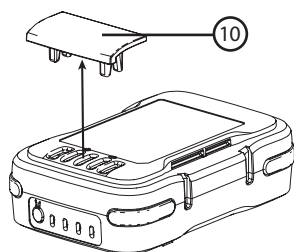
Remarque : L'indicateur de l'état de chargement est seulement une indication du chargement restant sur le bloc d'alimentation. Il n'indique pas le fonctionnement de l'outil et peut varier selon les composantes du produit, la température et l'application de l'utilisateur final.

Remarque : Le capuchon du bloc d'alimentation GoPak doit être utilisé lorsque le bloc d'alimentation n'est pas connecté à un outil électrique. Le capuchon de transport est destiné à être utilisé lorsque le bloc d'alimentation n'est pas connecté à l'outil. Retirez le capuchon avant de placer le bloc d'alimentation dans l'outil.

Capuchon des terminaux de l'outil GoPak

Un stockage du bloc-pile et un capuchon de transport (10) sont destinés à être utilisés lorsque le bloc-pile n'est pas connecté à l'outil. Retirez le capuchon comme illustré dans la Figure E avant de placer le bloc-pile sur l'outil.

Fig. E



Conserver ces consignes pour Utilisation ultérieure

Description (fig. A)



Avertissement : ne jamais modifier l'outil électrique ni aucun de ses composants, car il y a des risques de dommages corporels ou matériels.

Reportez-vous en Figure A au début de ce manuel pour obtenir la liste complète des composants.

Ne pas les utiliser en milieu ambiant humide ou en présence de liquides ou de gaz inflammables.

Ne pas le laisser à la portée des enfants. Une supervision est nécessaire auprès de tout utilisateur non expérimenté.

Assemblage et ajustements



Avertissement : pour réduire le risque de blessures graves, éteindre l'outil et retirer le bloc-piles avant d'effectuer tout réglage et d'enlever ou d'installer tout accessoire. Un démarrage accidentel peut provoquer des blessures.



Avertissement : risque de lacération. Avant d'essayer une des opérations suivantes, assurez-vous que l'outil est éteint, que le bloc-piles est retiré et que la lame de la scie est arrêtée. Les lames de scie utilisées peuvent être chaudes.

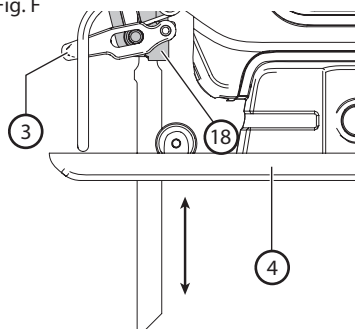


Avertissement : retirez le bloc d'alimentation lorsque vous installez et retirez la lame.

Installation de la lame (Fig. A, F)

1. Tenir la lame (5) tel qu'illustré, en s'assurant que les dents sont dirigées vers l'avant.
2. Poussez le levier de verrouillage(3) loin de la semelle (4) .
3. Avec les dents vers l'avant, insérez la queue de la lame de scie dans le porte-scie (18) aussi loin qu'il peut aller.
4. Relâcher le levier.
5. Tirez sur la lame pour vous assurez qu'elle est complètement sécuritaire.

Fig. F



Utilisation



Avertissement : pour réduire le risque de blessures graves, éteindre l'outil et retirer le bloc-piles avant d'effectuer tout réglage et d'enlever ou d'installer tout accessoire. Un démarrage accidentel peut provoquer des blessures.



Avertissement : afin de réduire le risque de blessure, ne jamais utiliser l'outil si la semelle de la scie est perdue ou retirée.

Installer et retirer le bloc d'alimentation 2 en 1 GoPak dans un outil électrique (Fig. G)



Avertissement : retirez tout câble USB connecté du bloc d'alimentation 2 en 1 GoPak de BLACK+DECKER avant de connecter le GoPak à un outil compatible.

1. Retirez le capuchon des terminaux s'il est installé sur le bloc d'alimentation 2 en 1 GoPak de BLACK+DECKER.
2. Pour alimenter un outil électrique 12 V MAX* GoPak compatible, alignez les terminaux de l'outil sur le pied de l'outil avec les fentes des terminaux (6) sur le bloc d'alimentation comme illustré dans la Fig. E.

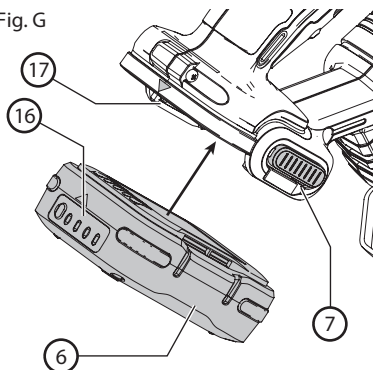
Remarque : L'indicateur de l'état du chargement fera face à l'arrière de l'outil et les ports USB feront face à l'avant. La flèche sur le bloc d'alimentation s'alignera avec la flèche sur l'outil comme illustré dans la Fig. E.

3. Enclenchez le bloc d'alimentation 2 en 1 GoPak de BLACK+DECKER dans le pied de l'outil. La flèche (16) sur le bloc d'alimentation s'alignera avec la flèche sur l'outil (17). Assurez-vous que le bloc d'alimentation est bien placé et entièrement verrouillé en place avant l'utilisation.
4. Pour retirer le bloc d'alimentation 2 en 1 GoPak de BLACK+DECKER de l'outil, appuyez sur les deux boutons de libération du bloc d'alimentation 7 situé sur l'outil et retirez le bloc d'alimentation 2 en 1 GoPak de BLACK+DECKER de

l'outil.

Remarque : Les ports USB du bloc d'alimentation 2 en 1 GoPak de BLACK+DECKER sont désactivés lorsque vous appuyez sur la gâchette

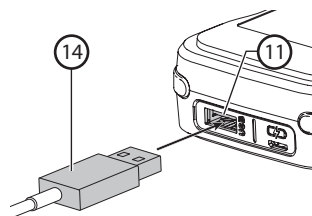
Fig. G



Utiliser le bloc d'alimentation 2 en 1 GoPak pour charger votre appareil USB (Fig. G)

1. Branchez l'extrémité A USB du câble de votre appareil spécifique (14) dans le bloc d'alimentation 2 en 1 GoPak de BLACK+DECKER (11) et l'autre extrémité du câble dans un appareil compatible (téléphone/tablette/MP3/ordinateur vestimentaire/périphérique de jeu/etc.). La recharge démarrera automatiquement.

Fig. H



Fonctionnement

Le bloc d'alimentation 2 en 1 GoPak de BLACK+DECKER peut alimenter vos outils 12 V MAX* GoPak de BLACK+DECKER ou alimenter/charger vos appareils mobiles. Le boîtier du bloc d'alimentation mince et compact est conçu pour la portabilité.

- Entrée de chargement GoPak : Jusqu'à 2,4A**
- Puissance de sortie GoPak : Jusqu'à 2,4A***

** Le taux réel de chargement à l'entrée dépend de l'adaptateur d'alimentation (non compris).

***Le taux de sortie réel dépend de l'appareil.

Port d'alimentation USB

Le bloc d'alimentation 2 en 1 GoPak de BLACK+DECKER est muni d'un port d'alimentation A USB. Il offre jusqu'à 2,4 A de courant total.

Remarque : Le courant fourni à l'appareil dépend du type d'appareil et du câble choisit par l'utilisateur.



Avertissement : assurez-vous que la capuchon est fixé de façon sécuritaire au bloc d'alimentation 2 en 1 GoPak de BLACK+DECKER

lorsque vous l'utilisez pour alimenter/charger votre appareil.

- Installez le capuchon sur les terminaux de l'outil.
- Le chargement de l'appareil du câble USB commencera automatiquement lorsque l'appareil est connecté.
- Pour arrêter le chargeur, débrancher le câble USB.

Position correcte des mains (Fig. I)



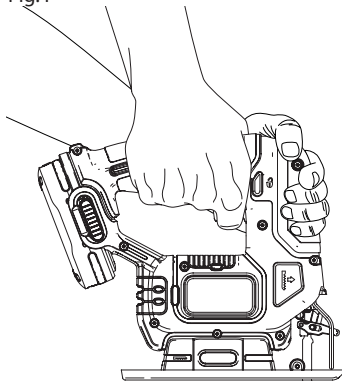
Avertissement : pour réduire tout risque de dommages corporels graves, adopter systématiquement la position des mains illustrée.



Avertissement : pour réduire tout risque de dommages corporels graves, maintenir systématiquement l'outil fermement pour anticiper toute réaction soudaine.

Une position des mains adéquate nécessite une main sur la poignée principale et une main sur la poignée auxiliaire.

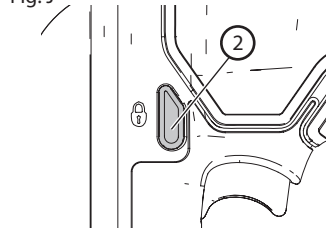
Fig. I



Mise en marche et arrêt (Fig.A, J)

Cet outil est équipé d'un bouton de verrouillage (2) . Ce bouton ne doit pas être engagé sur la scie pour pouvoir tourner. Pour désengager ce bouton, appuyez sur le bouton sur le côté de la poignée qui affiche le symbole déverrouillage.

Fig. J

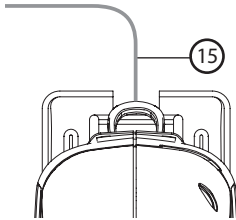


- Pour mettre l'outil en marche, appuyer sur la détente à vitesse variable (1) . La vitesse de l'outil varie selon la pression qu'on exerce sur la détente.
- Pour éteindre l'outil, relâchez la détente à vitesse variable. Pour éteindre l'outil, relâcher la détente à vitesse variable.

Utilisation du dispositif Sightline® (Fig. K)

1. Marquer la ligne de coupe au moyen d'un crayon.
2. Positionner la scie sur la ligne de coupe 15
3. Vue directement du haut de la scie, la ligne de coupe est facile à suivre.

Fig. K



Conseils pratiques pour un usage optimal

Généralités

Utiliser la vitesse élevée pour le bois, la vitesse moyenne pour l'aluminium et le PVC et la basse vitesse pour les métaux, sauf l'aluminium. Des lames spécialisées (vendues séparément) peuvent s'avérer nécessaires pour couper certains matériaux.

Coupe de lamellés

Lorsqu'on remonte la scie, on peut engendrer des éclats de bois sur la surface la plus près de la plaque du patin.

- Utiliser une lame à dents fines.
- Effectuer la coupe à partir de la surface arrière de la pièce.
- Afin de réduire au minimum les éclats de bois, fixer une retaille de bois ou un panneau dur de chaque côté de la pièce et couper à travers les trois pièces.

Coupe du métal

- Il ne faut pas oublier que la durée de coupe du métal est beaucoup plus longue que celle du bois.
- Utiliser une lame conçue pour la coupe du métal.
- Pour réaliser la coupe d'une tôle mince, fixer une retaille de bois à l'arrière de la pièce et couper à travers les deux pièces.
- Appliquer une mince couche d'huile le long de la ligne de coupe prévue.

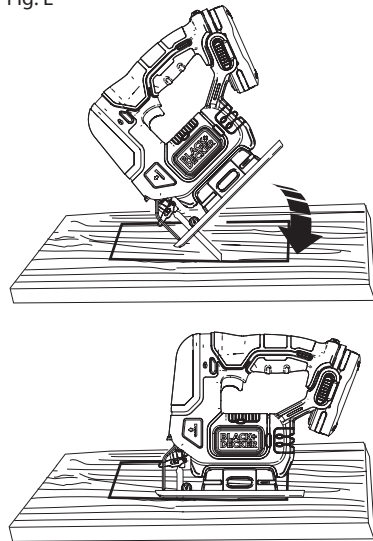
Coupe de poche (Fig. L)

Une coupe de poche est une méthode facile de faire un intérieur à couper. La scie peut être insérée directement dans un panneau ou une Commission sans premier forage un plomb ou un avant-trou. En coupe de poche, mesurer la surface destinée à couper et à marquer clairement avec un crayon. Conseil suivant la scie vers l'avant

jusqu'à ce que l'extrémité avant de la chaussure se trouve bien sur le plan de travail et de la lame efface le travailler par le biais de sa course complète. Allumer l'outil et lui permettre d'atteindre la vitesse maximale.

Tenez la scie fermement et abaisser le bord arrière de l'outil lentement jusqu'à ce que la lame atteigne sa profondeur complète. Tenez la chaussure plat contre le bois et commencer la coupe. Ne pas enlever lame de coupe alors que c'est toujours émouvant. Lame doit s'arrêter complètement.

Fig. L



Maintenance



Avertissement : pour réduire le risque de blessures graves, éteindre l'outil et retirer le bloc-piles avant d'effectuer tout

réglage et d'enlever ou d'installer tout accessoire. Un démarrage accidentel peut provoquer des blessures.

Important : Pour assurer la SÉCURITÉ D'EMPLOI et la FIABILITÉ de l'outil, n'en confier la réparation, l'entretien et les rajustements qu'à un centre de service ou à un atelier d'entretien autorisé n'utilisant que des pièces de rechange identiques.

Accessoires



Avertissement : puisque les accessoires autres que ceux offerts par BLACK+DECKER n'ont pas été testés avec ce produit,

leur utilisation pourrait s'avérer dangereuse. Pour réduire le risque de blessures, utiliser exclusivement les accessoires BLACK+DECKER recommandés avec le présent produit.

Les accessoires recommandés pour cet outil sont vendus séparément au centre de service de votre région. Pour obtenir de l'aide concernant l'achat d'un accessoire, communiquer avec BLACK+DECKER; composer le

1-800-544-6986.

Protection de l'environnement



Collecte séparée. Ce produit ne doit pas être jeté avec les déchets domestiques normaux.

Si vous décidez de remplacer ce produit BLACK+DECKER, ou si vous n'en avez plus l'utilité, ne le jetez pas avec vos déchets domestiques. Rendez-le disponible pour une collecte séparée.



La collecte séparée des produits et emballages usés permet le recyclage des articles afin de les utiliser à nouveau. Le fait d'utiliser à nouveau des produits recyclés permet d'éviter la pollution environnementale et de réduire la demande de matières premières.

Les réglementations locales peuvent permettre la collecte séparée des produits électriques du foyer, dans des déchetteries municipales ou auprès du revendeur vous ayant vendu votre nouveau produit.



BLACK+DECKER fournit un dispositif permettant de collecter et de recycler les produits BLACK+DECKER lorsqu'ils ont

atteint la fin de leur cycle de vie. Pour pouvoir profiter de ce service, veuillez retourner votre produit à un réparateur agréé qui se chargera de le collecter pour nous.

Pour connaître l'adresse du réparateur agréé le plus proche de chez vous, contactez le bureau BLACK+DECKER à l'adresse indiquée dans ce manuel. Vous pourrez aussi trouver une liste des réparateurs agréés de BLACK+DECKER et de plus amples détails sur notre service après-vente sur le site Internet à l'adresse suivante : www.2helpU.com

Nettoyage

Avertissement : ne jamais utiliser des solvants ou d'autres produits chimiques rudes pour le nettoyage des pièces non métalliques de l'outil ou le bloc d'alimentation. Ces produits chimiques peuvent affaiblir les matériaux plastiques utilisés dans ces pièces. Utilisez un linge trempé seulement dans de l'eau et un savon doux. Ne jamais laisser tout liquide entrer à l'intérieur de l'outil ou du bloc d'alimentation, ne jamais immerger toute pièce de l'outil ou du bloc d'alimentation dans un liquide.

Remarque : Retirez l'outil et les deux câbles USB du GoPak avant de nettoyer.

Utilisez seulement un savon doux et un linge humide pour nettoyer l'outil ou l'alimentation électrique. De nombreux nettoyeurs domestiques contiennent des produits chimiques qui peuvent endommager considérablement le plastique. De plus, ne pas utiliser de l'essence, de la térébenthine, du vernis ou du diluant, des liquides de nettoyage à sec ou des produits semblables.

Dépannage

1. Le GoPak n'alimente pas ou ne charge pas votre appareil.

- Le voyant DEL le plus près du bouton de l'état de chargement clignote en rouge lorsque vous essayez la fonctionnalité USB.
- La température du GoPak est trop chaude ou trop froide. Laissez le GoPak se refroidir ou se réchauffer.

2. Le GoPak n'alimente pas votre outil compatible.

- Essayez de charger le bloc d'alimentation. Si le voyant DEL ne s'allume pas, consultez le numéro 1 dans Dépannage.

Réparations

Le bloc d'alimentation 2 en 1 GoPak de BLACK+DECKER n'est pas réparable.

Avertissement : pour assurer la SÉCURITÉ et la FIABILITÉ du produit, les réparations, l'entretien et les réglages doivent être réalisés (cela comprend l'inspection et le remplacement du balai, le cas échéant) par un centre de réparation en usine BLACK+DECKER ou un centre de réparation agréé BLACK+DECKER. Toujours utiliser des pièces de rechange identiques.

Caractéristiques techniques

BCS601		
Tension	VDC	12
Vitesse à vide	Min-1	0-2800 SPM
Longueur de course	mm	16
Épaisseur max. de coupe		
Bois	mm	52
Acier	mm	5
Aluminium	mm	17
Poids	kg	1.19 (avec batterie 1.44)

Garantie

BLACK+DECKER vous assure la qualité de ses produits et vous offre une garantie très étendue. Ce certificat de garantie est un document supplémentaire et ne peut en aucun cas se substituer à vos droits légaux.

Si un produit BLACK+DECKER s'avère défectueux en raison de matériaux en mauvais état, d'une erreur humaine, ou d'un manque de conformité dans les 24 mois suivant la date d'achat, BLACK+DECKER garantit le remplacement des pièces défectueuses, la réparation des produits usés ou cassés ou remplace ces produits à la convenance du client, sauf dans les circonstances suivantes :

- Le produit a été utilisé dans un but commercial, professionnel, ou a été loué.
- Le produit a été mal utilisé ou avec négligence.
- Le produit a subi des dommages à cause de corps étrangers, de substances ou d'accidents.
- Des réparations ont été tentées par des techniciens ne faisant pas partie du service technique de BLACK+DECKER.

Pour avoir recours à la garantie, il est nécessaire de fournir une preuve d'achat au vendeur ou à un réparateur agréé. Pour connaître l'adresse du réparateur agréé le plus proche de chez vous, contactez le bureau BLACK+DECKER à l'adresse indiquée dans ce manuel. Vous pourrez aussi trouver une liste de réparateurs agréés de BLACK+DECKER et de plus amples détails sur notre service après-vente sur le site Internet à l'adresse suivante : www.2helpU.com

Назначение

Ваш лобзик BLACK+DECKER™ BCS601 предназначен для пиления древесины, пластика и листового металла. Данный инструмент предназначен только для использования непрофессиональными пользователями.

Общие правила безопасности при работе с электроинструментами



Внимание! Внимательно прочтите все инструкции по безопасности и руководство по эксплуатации.

Несоблюдение всех перечисленных ниже правил безопасности и инструкций может привести к поражению электрическим током, возникновению пожара и/или получению тяжёлой травмы.

Сохраните все инструкции по безопасности и руководство по эксплуатации для их дальнейшего использования

Термин «Электроинструмент» во всех приведённых ниже указаниях относится к Вашему сетевому (с кабелем) или аккумуляторному (беспроводному) электроинструменту.

1. Безопасность рабочего места

- a. **Содержите рабочее место в чистоте и обеспечьте хорошее освещение.** Плохое освещение или беспорядок на рабочем месте может привести к несчастному случаю.
- b. **Не используйте электроинструменты, если есть опасность возгорания или взрыва, например, вблизи легко воспламеняющихся жидкостей, газов или пыли.** В процессе работы электроинструменты создают искровые разряды, которые могут воспламенить пыль или горючие пары.
- c. **Во время работы с электроинструментом не подпускайте близко детей или посторонних лиц.** Отвлечение внимания может вызвать у Вас потерю контроля над рабочим процессом.

2. Электробезопасность

- a. **Вилка кабеля электроинструмента должна соответствовать штепсельной розетке. Ни в коем случае не видоизменяйте вилку электрического кабеля.** Не используйте соединительные штепсели-переходники, если в силовом кабеле электроинструмента есть провод заземления. Использование оригинальной вилки

кабеля и соответствующей ей штепсельной розетки уменьшает риск поражения электрическим током.

- b. **Во время работы с электроинструментом избегайте физического контакта с заземлёнными объектами, такими как трубопроводы, радиаторы отопления, электроплиты и холодильники.** Риск поражения электрическим током увеличивается, если Ваше тело заземлено.
 - c. **Не используйте электроинструмент под дождём или во влажной среде.** Попадание воды в электроинструмент увеличивает риск поражения электрическим током.
 - d. **Бережно обращайтесь с электрическим кабелем. Ни в коем случае не используйте кабель для переноски электроинструмента или для вытягивания его вилки из штепсельной розетки.** Не подвергайте электрический кабель воздействию высоких температур и смазочных веществ; держите его в стороне от острых кромок и движущихся частей. Повреждённый или запутанный кабель увеличивает риск поражения электрическим током.
 - e. **При работе с электроинструментом на открытом воздухе используйте удлинительный кабель, предназначенный для наружных работ.** Использование кабеля, пригодного для работы на открытом воздухе, снижает риск поражения электрическим током.
 - f. **При необходимости работы электроинструментом во влажной среде используйте источник питания, оборудованный выключателем короткого замыкания на землю (ВКЗЗ).** Использование ВКЗЗ снижает риск поражения электрическим током.
- #### 3. Личная безопасность
- a. **При работе с электроинструментами будьте внимательны, следите за тем, что Вы делаете, и руководствуйтесь здравым смыслом.** Не используйте электроинструмент, если Вы устали, а также находясь под действием алкоголя или понижающих реакцию лекарственных препаратов и других средств. Малейшая неосторожность при работе с электроинструментами может привести к серьёзной травме.
 - b. **При работе используйте средства индивидуальной защиты.** Всегда надевайте защитные очки. Своевременное использование защитного снаряжения, а именно: пылезащитной маски, ботинок на нескользящей подошве, защитного шлема или противошумовых наушников, значительно снизит риск получения травмы.

- c. Не допускайте непреднамеренного запуска.** Перед тем, как подключить инструмент к сети и/или аккумулятору, поднять или перенести его, убедитесь, что выключатель находится в положении «выключено». Не переносите электроинструмент, держа палец на пусковом выключателе, и не подключайте к сетевой розетке электроинструмент, выключатель которого установлен в положение «включено», это может привести к несчастному случаю.
- d. Перед включением электроинструмента снимите с него все регулировочные или гаечные ключи.** Регулировочный или гаечный ключ, оставленный закреплённым на вращающейся части электроинструмента, может стать причиной получения тяжёлой травмы.
- e. Работайте в устойчивой позе. Всегда твёрдо стойте на ногах, сохраняя равновесие.** Это позволит Вам не потерять контроль при работе электроинструментом в непредвиденной ситуации.
- f. Одевайтесь соответствующим образом. Во время работы не надевайте свободную одежду или украшения.** Следите за тем, чтобы Ваши волосы, одежда или перчатки находились в постоянном отдалении от движущихся частей инструмента. Свободная одежда, украшения или длинные волосы могут попасть в движущиеся части инструмента.
- g. Если электроинструмент снабжён устройством сбора и удаления пыли, убедитесь, что данное устройство подключено и используется Тнадежащим образом.** Использование устройства пылеудаления значительно снижает риск возникновения несчастного случая, связанного с запылённостью рабочего пространства.
- 4. Использование электроинструментов и технический уход**
- a. Не перегружайте электроинструмент. Используйте Ваш инструмент по назначению.** Электроинструмент работает надёжно и безопасно только при соблюдении параметров, указанных в его технических характеристиках.
- b. Не используйте электроинструмент, если его выключатель не устанавливается в положение включения или выключения.** Электроинструмент **c. неисправным выключателем представляет опасность и подлежит ремонту.** Отключайте электроинструмент от сетевой розетки и/или извлекайте аккумулятор перед регулировкой, заменой принадлежностей или при хранении электроинструмента. Такие меры предосторожности снижают риск случайного включения электроинструмента.
- d. Храните неиспользуемые электроинструменты в недоступном для детей месте и не позволяйте лицам, не знакомым с электроинструментом или данными инструкциями, работать с электроинструментом.** Электроинструменты представляют опасность в руках неопытных пользователей.
- e. Регулярно проверяйте исправность электроинструмента. Проверяйте точность совмещения и лёгкость перемещения подвижных частей, целостность деталей и любых других элементов электроинструмента, воздействующих на его работу.** Не используйте неисправный электроинструмент, пока он не будет полностью отремонтирован. Большинство несчастных случаев являются следствием недостаточного технического ухода за электроинструментом.
- f. Следите за остротой заточки и чистотой режущих принадлежностей.** Принадлежности с острыми кромками позволяют избежать заклинивания и делают работу менее утомительной.
- Используйте электроинструмент, аксессуары и насадки в соответствии с данным Руководством по эксплуатации и с учётом рабочих условий и характера будущей работы. Использование электроинструмента не по назначению может создать опасную ситуацию.
- 5. Использование аккумуляторных инструментов и технический уход**
- a. Заряжайте аккумулятор зарядным устройством марки, указанной производителем.** Зарядное устройство, которое подходит к одному типу аккумулятора, может создать риск возгорания в случае его использования с аккумуляторами другого типа.
- b. Используйте электроинструменты только с разработанными специально для них аккумуляторахми.** Использование аккумулятора какой-либо другой марки может привести к возникновению пожара и получению травмы.
- c. Держите не используемый аккумулятор подальше от металлических предметов, таких как скрепки, монеты, ключи, гвозди, шурупы, и других мелких металлических предметов, которые могут замкнуть контакты аккумулятора.** Короткое замыкание контактов аккумулятора может привести к получению ожогов или возникновению пожара.

- d. В критических ситуациях из аккумулятора может вытечь жидкость (электролит); избегайте контакта с кожей. Если жидкость попала на кожу, смойте её водой. Если жидкость попала в глаза, обращайтесь за медицинской помощью. Жидкость, вытекающая из аккумулятора, может вызвать раздражение или ожоги.
- b. Техническое обслуживание
- a. Ремонт Вашего электроинструмента должен производиться только квалифицированными специалистами с использованием идентичных запасных частей. Это обеспечит безопасность Вашего электроинструмента в дальнейшей эксплуатации.

Инструкции по безопасности при работе лобзиками

- Держите инструмент за изолированные ручки при выполнении операций, во время которых режущий инструмент может соприкасаться со скрытой проводкой. Контакт насадки с находящимся под напряжением проводом делает не покрытые изоляцией металлические части электроинструмента также «живыми», что создаёт опасность поражения оператора электрическим током.
- Используйте струбины или другие приспособления для фиксации обрабатываемой детали, устанавливая их только на неподвижной поверхности. Если держать обрабатываемую деталь руками или с упором в собственное тело, то можно потерять контроль над инструментом или обрабатываемой деталью.
- Держите руки вне зоны резания. Ни в коем случае не держите руки под заготовкой. Держите лобзик за переднюю часть. Не держите пальцы вблизи пильного полотна и его зажима. Не пытайтесь стабилизировать положение лобзика, удерживая его за поворотную подошву.
- Следите за остротой заточки пильных полотен. Затупленные пильные полотна могут заставить лобзик отклониться от линии реза или остановиться под воздействием чрезмерного усилия.
- Будьте особенно осторожны при выполнении отрезов выше уровня головы и проявите особое внимание при наличии воздушных контактных линий, обзор которых может быть затруднён. Заблаговременно спрогнозируйте траектории падения сучьев и щепок.
- Прежде чем приступить к резке трубы или канала, убедитесь, что в них нет воды, электропроводки и т.д.

Сохраните данные инструкции

Дополнительные инструкции по безопасности



Внимание: Всегда работайте в защитных очках. Повседневные очки НЕ ЯВЛЯЮТСЯ защитными очками. Если во время работы вырабатывается много пыли, надевайте защитную маску или респиратор. ВСЕГДА ИСПОЛЬЗУЙТЕ средства защиты утверждённого типа:

- Защитные очки ANSI Z87.1 (CAN/CPA Z94.3)
- Защитные наушники ANSI S12.6 (S3.19)
- Респиратор NIOSH/OSHA/MSHA



Внимание: При шлифовании, пилении, зачистке, сверлении и выполнении других строительных работ возможно образование пыли, содержащей химические вещества, вызывающие онкологические заболевания, врожденные пороки или другие нарушения репродуктивных функций. Лишь некоторые из этих химических веществ:

- Свинец, содержащийся в краске на свинцовой основе
- Кристаллический диоксид кремния, содержащийся в кирпиче, цементе и прочих стеновых материалах
- Мышьяк и хром, содержащийся в древесине, обработанной химическим способом (ССА)

Степень риска воздействия данных веществ повышается в зависимости от частоты выполнения подобных типов работ. Для сведения к минимуму риска воздействия данных химических веществ на Ваш организм работайте в хорошо проветриваемом помещении и с использованием защитного оборудования соответствующего типа, например, пылезастыжных масок, специально разработанных для фильтрации микроскопических частиц.

- Избегайте продолжительного контакта с пылью, вырабатываемой при шлифовании, пилении, зачистке, сверлении и выполнении других строительных работ. Надевайте защитную одежду и промывайте незащищенные участки кожи водой и мылом. Попадание пыли в рот, глаза или на кожу может способствовать усвоению вредоносных химических веществ.



Внимание: При использовании данного инструмента может образовываться и/или рассеиваться пыль, способная привести к серьёзным и хроническим заболеваниям дыхательных путей или другим травмам. Всегда используйте пылезастыжный респиратор, одобренный NIOSH (Национальный институт по охране труда и

промышленной гигиене США)/OSHA (Федеральное Агентство по Охране Труда и Здоровья США). Следите за тем, чтобы лицо и тело было в стороне от линии выброса пыли.



Внимание: Во время работы всегда используйте защитные наушники, соответствующие ANSI S12.6 (S3.19). При некоторых условиях и продолжительности использования, шум, производимый данным инструментом, может способствовать потере слуха.



Предупреждение: Кладите не используемый инструмент набор на устойчивую поверхность в месте, в котором он не создаёт опасность, что об него могут споткнуться и упасть. Некоторые инструменты с аккумуляторами больших размеров ставятся на аккумулятор в вертикальном положении, но их легко опрокинуть.

- Движущиеся части часто скрываются за вентиляционными прорезями; избегайте контакта с ними. Свободная одежда, украшения или длинные волосы могут попасть в движущиеся части инструмента. При необходимости использования удлинительного кабеля на улице выбирайте удлинительный кабель, предназначенный для использования вне помещений.

Маркировка инструмента

Наклейка на вашем инструменте вместе с кодом даты может содержать следующие символы:



Внимание! Для снижения риска травмирования оператор должен прочитать эту инструкцию по эксплуатации.



Зарядное устройство предназначено только для использования внутри помещения.



Внимательно прочитайте всю инструкцию перед использованием электрического инструмента.

Местоположение кода даты

Код даты, который также включает в себя год изготовления, отштампован на поверхности корпуса инструмента.

Пример:

2017 XX JN
Год изготовления

Электрическая безопасность



Ваше зарядное устройство имеет двойную изоляцию, и поэтому провод заземления ему не нужен. Всегда проверяйте, чтобы сетевое напряжение соответствовало значению, указанному в табличке с паспортными данными. Никогда не пытайтесь заменить вилку в блоке зарядного устройства обычной сетевой вилкой.

- В случае повреждения шнура питания, чтобы избежать возникновения опасных ситуаций, его замену должен выполнить производитель оборудования или уполномоченный сервисный центр BLACK+DECKER.

Аккумуляторы

Извлечённый из упаковки аккумулятор заряжен не полностью. Перед началом эксплуатации аккумулятора прочтите нижеследующие инструкции по безопасности и следуйте указаниям по процедуре зарядки. При заказе аккумуляторов для замены, не забывайте указывать их номер по каталогу и напряжение.

Внимательно прочтите все инструкции

Важные инструкции по безопасности для всех аккумуляторов



Внимание: Внимательно прочтите все инструкции по безопасности и руководство по эксплуатации аккумулятора и электроинструмента. Несоблюдение всех перечисленных ниже правил безопасности и инструкций может привести к поражению электрическим током, возникновению пожара и/или получению тяжёлой травмы.

- Не заряжайте и не используйте аккумулятор во взрывоопасной атмосфере, например, в присутствии легко воспламеняющихся жидкостей, газов или пыли. При установке или извлечении кабеля зарядки из аккумулятора пыль или газы могут воспламениться.
- Никогда не применяйте силу при установке кабеля аккумулятора или аккумулятора в инструмент. Никким образом не видоизменяйте аккумулятор – аккумулятор может расколоться, что приведёт к получению тяжёлой телесной травмы.
- Не брызгайте и не погружайте в воду или другие жидкости.

- Не храните и не используйте инструмент и аккумулятор в местах, в которых температура может достигнуть или превысить 40°C (например, под наружными навесами или внутри металлических конструкций в летнее время). Для обеспечения длительного срока службы аккумуляторов храните аккумуляторы в сухом прохладном месте.

Примечание: Не убирайте на хранение инструменты с установленными аккумуляторами, если выключатель инструмента заблокирован во включённом положении. Ни в коем случае не пытайтесь заблокировать курковый пусковой выключатель в нажатом состоянии!

- Не сжигайте аккумулятор, даже если он сильно повреждён или полностью изношен. Аккумулятор в огне может взорваться. При горении ионно-литиевых аккумуляторов выделяются токсичные пары и частицы.
- Если содержимое аккумулятора попало на кожу, немедленно промойте поражённый участок водой с мягким мылом. Если аккумуляторная жидкость попала в глаз, промойте открытый глаз в течение 15 минут, пока не исчезнет раздражение. Если необходимо обратиться за медицинской помощью, медиков следует поставить в известность, что аккумуляторный электролит состоит из смеси жидкого органического карбоната и солей лития.
- Содержимое открытых элементов аккумулятора может вызывать раздражение органов дыхания. Обеспечьте приток свежего воздуха. Если симптомы сохраняются, обратитесь за медицинской помощью.



Внимание: Опасность получения ожога. Аккумуляторная жидкость может воспламениться при попадании искры или пламени.

Внимание: Опасность возникновения пожара. Ни в коем случае не пытайтесь разобрать аккумулятор. Не используйте и не заряжайте аккумулятор с треснувшим или повреждённым корпусом. Не разбивайте, не бросайте и не ломайте аккумулятор. Не используйте аккумуляторы или зарядные устройства, которые подверглись воздействию резкого удара, удара при падении, попали под тяжёлый предмет или были повреждены каким-либо другим образом (например, проткнуты гвоздём, попали под удар молотка или под ноги). Повреждённые аккумуляторы должны возвращаться в сервисный центр на переработку.

Рекомендации по хранению

1. Оптимальным местом для хранения является холодное и сухое место, вдали от прямых солнечных

лучей и источников избыточного тепла или холода.

2. Для обеспечения долгого срока службы аккумуляторов при длительном хранении рекомендуется убирать полностью заряженные аккумуляторы в сухое прохладное место вдали от зарядного устройства.

Примечание: Не убирайте на хранение полностью разряженные аккумуляторы. Перед использованием аккумулятор потребуется зарядить.

Знак RBRC®

Знак RBRC® (Корпорация по переработке перезаряжаемых аккумуляторных батарей) на никель-кадмиевых, никель - металлгидридных или ионно-литиевых аккумуляторах обозначает, то стоимость переработки данных аккумуляторов по окончании их срока службы уже оплачена BLACK+DECKER. В некоторых местах выброс отработанных никель-кадмиевых, никель-металлогидридных или ионно-литиевых аккумуляторов в мусорные контейнеры или на муниципальных мусорных свалках является незаконным, программа Call 2 Recycle® представляет собой экологически безопасную альтернативу.



Call 2 Recycle, Inc., при сотрудничестве с BLACK+DECKER и другими пользователями аккумуляторов, разработала в США и Канаде программу по обеспечению сбора отработанных никель-кадмиевых, никель-металлогидридных или ионно-литиевых аккумуляторов. Возвращая отработанные никель-кадмиевые, никель-металлогидридные или ионно-литиевые аккумуляторы в авторизованный сервисный центр BLACK+DECKER или в ближайший магазин на переработку, Вы помогаете защитить нашу окружающую среду и сберечь природные ресурсы. Информацию по утилизации отработанных аккумуляторов Вы также можете получить в ближайшем центре по переработке. RBRC® является зарегистрированной торговой маркой Call 2 Recycle, Inc.

Важные примечания к зарядке

1. Продолжительный срок службы и высокая производительность аккумулятора будет достигнута, если заряжать аккумулятор при температуре воздуха 18°- 24°C. НЕ ЗАРЯЖАЙТЕ аккумулятор при температуре ниже +4,5°C или выше +40,5°C. Важно соблюдать данное условие, это предотвратит серьёзные повреждения аккумулятора.
2. Если аккумулятор не заряжается должным образом:

- Проверьте рабочее состояние штепсельной розетки, подключив к ней лампу или любой другой прибор;
- Убедитесь, что розетка соединена с выключателем освещения и отключается при выключении света;
- Перенесите блок питания и аккумулятор в помещение, где температура воздуха достигает 18°-24°C;
- Если зарядка всё же не происходит должным образом, отнесите инструмент, аккумулятор и USB-кабель в авторизованный сервисный центр.
- Аккумулятор следует подзаряжать, если он не обеспечивает достаточную мощность для работ, которые ранее выполнялись легко и быстро. НЕ ИСПОЛЬЗУЙТЕ аккумулятор в данных условиях. Следуйте процедуре зарядки. Вы также можете подзаряжать частично использованные аккумуляторы без каких-либо негативных последствий для аккумуляторов.

Транспортировка



Внимание: Опасность возникновения пожара. При перевозке или хранении аккумуляторов следите, чтобы металлические предметы не касались клемм аккумулятора. Например, не помещайте аккумулятор в карманы передника или одежды, в ящики для инструментов, чемоданы с дополнительными принадлежностями, в выдвижные мебельные ящики и другие подобные места, где могут находиться гвозди, винты, ключи и пр.

Во время перевозки аккумуляторов существует риск возгорания при случайном контакте клемм аккумулятора с токопроводящими материалами, такими как ключи, монеты, ручные инструменты и пр.

В Правилах перевозки опасных грузов (HMR) США фактически запрещаются коммерческие перевозки аккумуляторов или на самолетах в ручной клади, если они не защищены должным образом от коротких замыканий. При перевозке отдельных аккумуляторов убедитесь, что клеммы аккумулятора защищены и надёжно изолированы от любых материалов, контакт с которыми способен вызвать короткое замыкание.



Предупреждение: Если аккумулятор не установлен в электроинструмент, должна использоваться крышка на клеммы аккумулятора GoPak. Крышка на клеммы должна использоваться при каждом отсоединении аккумулятора от инструмента. Перед установкой аккумулятора в инструмент снимите крышку.

Правила Американской государственной комиссии по коммуникациям (FCC) для всех цифровых устройств

Данное устройство соответствует требованиям раздела 15 правил FCC, а также требованиям промышленных RSS-стандартов Канады для нелицензируемого оборудования. Эксплуатация устройства зависит от следующих двух условий:

1. Данное устройство не может являться причиной вредных помех;
2. Компоненты устройства должны допускать все принимаемые помехи, включая помехи, которые могут вызвать нарушение работы устройства.

Любые изменения или модификация, не одобренные стороной, ответственной за соответствие, могут аннулировать право пользователя на эксплуатацию данного оборудования.

Данное оборудование успешно прошло проверку на соответствие классу В цифровых устройств согласно части 15 Правил FCC. Эти ограничения рассчитаны на обеспечение защиты от вредных помех при эксплуатации оборудования в жилых помещениях. Данное оборудование создает, использует и может излучать радиоволны, и если оно установлено или эксплуатируется с нарушением инструкций производителя, оно может создавать помехи для средств радиосвязи. Однако нельзя гарантировать, что не помехи не возникнут в каждом конкретном случае. Если данное оборудование будет создавать помехи, вредные для радио- или телевизионного приёма, наличие которых можно определить, включая и выключая устройство, то пользователю следует принять меры для устранения этих помех одним из приведённых ниже способов:

- Изменить положение или ориентацию приёмной антенны.
- Увеличить расстояние между оборудованием и принимающим устройством.
- Подключить оборудование к розетке цепи, отличной от той, к которой подключено приёмное устройство.
- Обратиться за помощью к своему поставщику или к специалистам в области радио и телевидения.

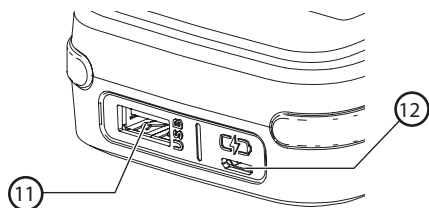
CAN ICES-3(B)/NMB-3(B)

Начало работы

Микро-USB порт (12) на аккумуляторе GoPak 2-в-1 BLACK+DECKER предназначен только для зарядки GoPak.

USB A-порт (11) на аккумуляторе GoPak 2-в-1 BLACK+DECKER предназначен только для питания USB-устройств (мобильных телефонов / планшетов / MP3-плееров / переносных электрических устройств / игровых устройств и пр.).

Рис. В



Зарядка аккумулятора GoPak 2-в-1 BLACK+DECKER (Рис. С, D)



Внимание: Никогда не пытайтесь заряжать аккумулятор GoPak 2-в-1 BLACK+DECKER, используя клеммы для инструмента на GoPak.



Внимание: Вы должны заряжать аккумулятор GoPak 2-в-1 BLACK+DECKER только с использованием одобренных UL или

CSA USB-портов, рассчитанных на зарядку высокопроизводительных устройств. GoPak может потреблять больше тока по сравнению с обычными USB-портами.

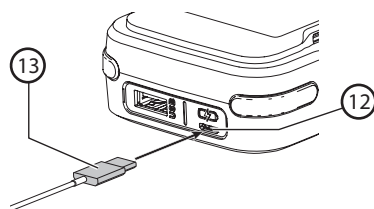
Если для зарядки GoPak используется компьютер, на компьютере может отображаться сообщение об ошибке.

1. Вставьте микро-USB кабель (входит в комплект поставки) (13) в блок питания USB (не входит в комплект поставки).
2. Вставьте микро-USB штекер зарядного кабеля в микро-USB порт (12) на GoPak.
3. В процессе зарядки GoPak будут гореть светодиодные индикаторы уровня зарядки. Горящие светодиодные индикаторы отображают состояние заряда аккумулятора. Мигающий светодиодный индикатор обозначает процесс зарядки каждого

следующего уровня. Кнопка состояния заряда (9) отключается только во время зарядки.

4. авершение зарядки обозначается выключением всех четырёх светодиодных индикаторов. При нажатии на кнопку состояния заряда (9) загорятся все четыре светодиодных индикатора. Аккумулятор полностью заряжен, и его можно использовать с инструментом или оставить в зарядном устройстве.
5. По возможности заряжайте разряженные аккумуляторы сразу после использования. Срок службы аккумулятора, содержащегося в разряженном состоянии, значительно уменьшается. Чтобы продлить срок службы аккумулятора, следите, чтобы аккумулятор не разряжался полностью. Рекомендуется подзаряжать аккумулятор после каждого использования инструмента.

Рис. С



Индикатор состояния заряда аккумулятора (Рис. D)

Аккумулятор GoPak 2-в-1 BLACK+DECKER оборудован кнопкой состояния заряда (9) и четырьмя светодиодными индикаторами.

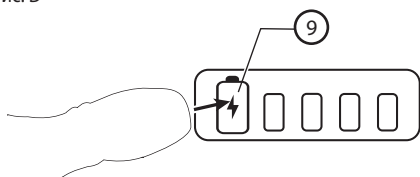
Состояние заряда является показателем приблизительных уровней заряда, оставшихся в аккумуляторе, в соответствии со следующими индикаторами:

	96-100% charged
	76-95%
	51-75%
	26-50%
	Pack needs to be charged

Чтобы отобразить состояние заряда, нажмите кнопку индикатора состояния заряда. Комбинация из четырёх горящих светодиодных индикаторов обозначает текущий уровень заряда аккумулятора. Когда уровень заряда аккумулятора упадёт ниже эксплуатационного предела, светодиодные индикаторы погаснут или начнёт мигать нижний светодиодный индикатор.

Примечание: Светодиодные индикаторы уровня заряда отображаются только при нажатии на кнопку состояния заряда.

Рис. D



- Чтобы в любое время отобразить текущий уровень заряда аккумулятора, нажмите на кнопку состояния заряда.

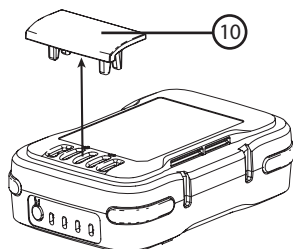
Примечание: Индикатор состояния заряда является индикатором только лишь уровня заряда, оставшегося в аккумуляторе. Он не является индикатором функциональных возможностей инструмента, зависящих от компонентов, температуры и действий конечного пользователя.

Примечание: Если аккумулятор не установлен в электроинструмент, должна использоваться крышка на клеммы аккумулятора GoPak. Крышка на клеммы должна использоваться при каждом отсоединении аккумулятора от инструмента. Перед установкой аккумулятора в инструмент снимите крышку.

Крышка на клеммы инструмента GoPak

Крышка на клеммы (10) должна использоваться при каждом отсоединении аккумулятора от инструмента. Перед установкой аккумулятора в инструмент снимите крышку, как изображено на Рисунке E.

Рис. E



Составные части (Рис. А)

Внимание: Ни в коем случае не модифицируйте электроинструмент или какую-либо его деталь. Это может привести к получению травмы или повреждению инструмента.

Полный список составных частей см. на Рисунке А в начале данного руководства по эксплуатации.

Не используйте изделие во влажных условиях или при наличии в окружающем пространстве легко воспламеняющихся жидкостей или газов.

Не разрешайте детям прикасаться к инструменту. Неопытные пользователи всегда должны работать под наблюдением.

Сборка и регулировка



Внимание: Для снижения риска получения тяжёлой травмы, выключайте инструмент и извлекайте аккумулятор перед каждой операцией регулировки или снятием/установкой принадлежностей или насадок. Непреднамеренный запуск инструмента может привести к получению травмы.



Внимание: Опасность получения травмы. Перед выполнением любой из последующих операций убедитесь, что инструмент выключен, аккумулятор извлечён из инструмента и пыльное полотно полностью остановилось. В процессе работы пыльное полотно может нагреваться.

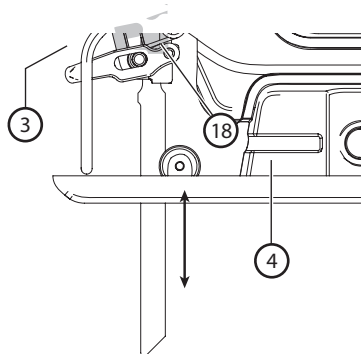


Внимание: При установке или снятии пыльного полотна извлекайте из инструмента аккумулятор.

Установка пыльного полотна (Рис. А, F)

1. Держите пыльное полотно (5), как показано на рисунке, направив кромку с зубьями вперёд.
2. Поднимите зажимной рычаг (3) вверх от подошвы (4).
3. Направив кромку с зубьями вперёд, вставьте хвостовик пыльного полотна в зажим (18) до упора.
4. Опустите зажимной рычаг.
5. Потяните за пыльное полотно, чтобы убедиться, что оно надёжно зафиксировано.

Рис. F



Эксплуатация



Внимание: Для снижения риска получения тяжёлой травмы, выключайте инструмент и извлекайте аккумулятор перед каждой операцией регулировки или

снятием/установкой принадлежностей или насадок. Непреднамеренный запуск инструмента может привести к получению травмы.



Внимание: Для снижения риска получения травмы никогда не используйте инструмент, если подошва плохо закреплена или отсутствует.

Установка и извлечение аккумулятора GoPak 2-в-1 в электроинструмент (Рис. G)



Внимание: Перед установкой аккумулятора GoPak 2-в-1 BLACK+DECKER в совместимый инструмент извлеките из аккумулятора все USB-кабели.

1. Снимите с аккумулятора GoPak 2-в-1 BLACK+DECKER крышку на клеммы для инструмента.
2. Чтобы установить аккумулятор на совместимом электроинструменте GoPak 12В MAX*, совместите клеммы в основании инструмента с прорезями для клемм на аккумуляторе (6), как изображено на Рис. G.

Примечание: Индикатор состояния заряда будет развёрнут в сторону задней части инструмента, а USB-порт будет обращён в сторону передней части инструмента. Стрелка на аккумуляторе совместится со стрелкой на инструменте, как изображено на Рис. G.

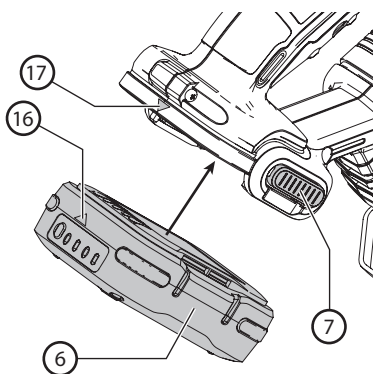
3. Вдвиньте аккумулятор GoPak 2-в-1 BLACK+DECKER в основание инструмента. Стрелка (16) на аккумуляторе совместится со стрелкой (17) на

корпусе инструмента. Перед использованием инструмента убедитесь, что аккумулятор полностью вошёл в инструмент и зафиксировался на месте.

4. Для извлечения аккумулятора GoPak 2-в-1 BLACK+DECKER из инструмента нажмите на две отпирающие кнопки (7), расположенные на инструменте, и потянув, извлеките аккумулятор GoPak 2-в-1 BLACK+DECKER из инструмента.

Примечание: USB-порты аккумулятора GoPak 2-в-1 BLACK+DECKER не активны при нажатом выключателе.

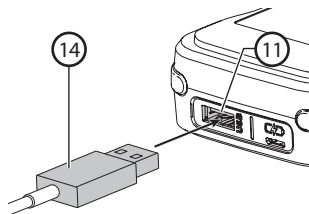
Рис. G



Использование аккумулятора GoPak 2-в-1 для зарядки USB-устройств (Рис. H)

Вставьте один конец USB A-кабеля (14) в аккумулятор GoPak 2-в-1 BLACK+DECKER (11), а другой конец кабеля в одобренное UL или CSA совместимое устройство (мобильный телефон / планшет / MP3-плеер / переносное электрическое устройство / игровое устройство и пр.). Зарядка начнётся автоматически.

Рис. H



Работа

Аккумулятор GoPak 2-в-1 BLACK+DECKER предназначен для питания совместимых инструментов BLACK+DECKER 12 В GoPak MAX* или питания/зарядки мобильных устройств. Компактный, тонкий корпус аккумулятора разработан для портативности.

- GoPak зарядный ток: До 2,4 А**
- GoPak выходная мощность: До 2,4 А***

** Фактическая скорость тока зарядки зависит от блока питания (не входит в комплект поставки).

*** Фактическая выходная мощность зависит от устройства.

USB-порт

Аккумулятор GoPak 2-в-1 BLACK+DECKER оборудован USB-портом типа А. Он обеспечивает общий ток до 2,4 ампер.

Примечание: Ток, поступающий на устройство, зависит от самого устройства и выбранного пользователем кабеля.



Внимание: При использовании аккумулятора GoPak 2-в-1 BLACK+DECKER для питания/зарядки Вашего устройства убедитесь, что крышка на клеммы надета и надёжно зафиксирована.

- Установите на клеммы инструмента крышку.
- Зарядка устройства через USB начнётся автоматически при подключении устройства.
- Для отключения отсоедините USB-устройство.

Правильное положение рук во время работы (Рис. I)



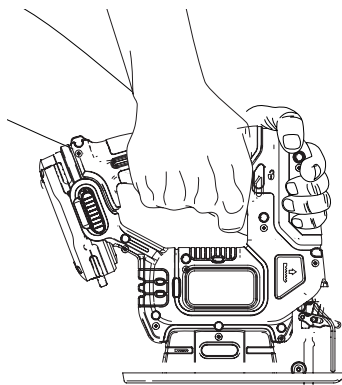
Внимание: Для уменьшения риска получения тяжёлой травмы, всегда правильно удерживайте электроинструмент, как показано на рисунке.



Внимание: Для уменьшения риска получения тяжёлой травмы всегда надёжно удерживайте инструмент, предупреждая внезапные сбои в работе.

Правильное положение рук во время работы: одной рукой возьмитесь за основную рукоятку, другой рукой удерживайте дополнительную рукоятку.

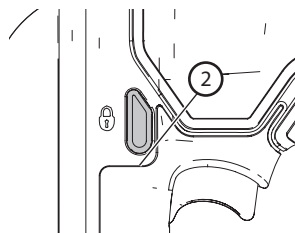
Рис. I



Включение и выключение (Рис. А, J)

Ваш инструмент оборудован кнопкой защиты от непреднамеренного пуска (2). Чтобы включить лобзик кнопка должна быть деактивирована. Чтобы деактивировать кнопку, нажмите на кнопку с той стороны от рукоятки, где изображён символ открытого замка.

Рис. J

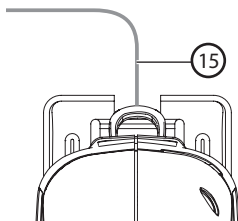


- Чтобы включить инструмент, нажмите на клавишу пускового выключателя с регулировкой скорости (1). Скорость инструмента зависит от глубины нажатия на клавишу выключателя.
- Чтобы выключить инструмент, отпустите курковый пусковой выключатель.

Использование функции Sightline® (Рис. К)

1. При помощи карандаша начертите линию распила.
2. Расположите лобзик по линии (15).
3. Следуйте линии распила, глядя на неё поперек лобзика.

Рис. К



Рекомендации по оптимальному использованию

Общие требования

Используйте высокую скорость для резания древесины, среднюю скорость для резания алюминия и ПВХ и низкую скорость для резания металлов, кроме алюминия. Для резания специфических материалов также требуются специальные пильные полотна (продаются отдельно).

Пиление ламината

Поскольку пильное полотно выполняет рез при ходе вверх, на поверхности заготовки рядом с подошвой пилы могут появиться повреждения.

- Используйте пильное полотно с мелкими зубьями.
- Пилите по обратной стороне заготовки.
- Чтобы максимально снизить риск расщепления ламината, поместите заготовку между двумя панелями из древесины или ДСП и пилите получившуюся сэндвич-панель.

Пиление металла

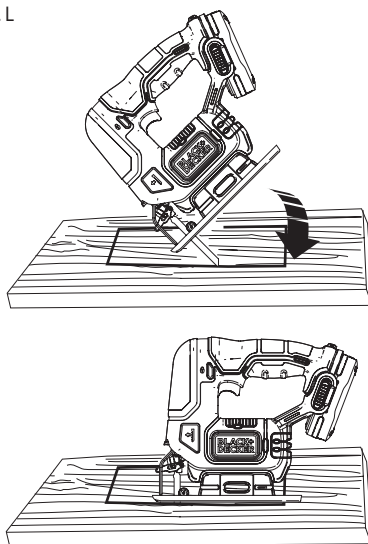
- Помните, что распил металла занимает гораздо больше времени, чем распил древесины.
- Используйте пильное полотно, предназначенное для распилы металла.
- Для пиления тонколистового металла, прикрепите деревянную панель к обратной стороне заготовки и выполняйте распил получившейся сэндвич-панели.
- Нанесите немного смазочного вещества вдоль предполагаемой линии распилы.

Врезное пиление (Рис. L)

Врезное пиление – простой метод выполнения внутреннего реза. Лобзиком можно начинать пиление в панели без предварительного высверливания направляющего отверстия. Перед выполнением

врезного пиления измерьте обрабатываемую поверхность и сделайте чёткие разметки карандашом. Затем направьте лобзик вперёд, пока передний край подошвы не упрётся в поверхность заготовки, а пильное полотно полностью не приготовится войти в заготовку. Включите инструмент и дождитесь набора максимальной скорости. Крепко удерживая лобзик, медленно опускайте нижний край инструмента, пока подошва не окажется плотно прижатой к поверхности заготовки. Удерживая подошву на заготовке, продолжите пиление. Не извлекайте пильное полотно из реза до его полной остановки. Пильное полотно должно полностью остановиться.

Рис. L



Техническое обслуживание



Внимание: Для снижения риска получения тяжёлой травмы, выключайте инструмент и извлекайте аккумулятор перед каждой операцией регулировки или снятием/установкой принадлежности или насадок. Непреднамеренный запуск инструмента может привести к получению травмы.

Важно: В целях обеспечения безопасности и долговечности в использовании продукта ремонт, техническое обслуживание и регулировка (кроме перечисленных в данном руководстве по эксплуатации) должны производиться только в авторизованных сервисных центрах или других квалифицированных мастерских и только с использованием идентичных запасных частей.

Защита окружающей среды



Раздельный сбор отходов. Запрещается утилизировать этот продукт вместе с обычными бытовыми отходами.

Если вы решите, что ваше изделие BLACK+DECKER необходимо заменить, или если вы не будете его больше использовать, не утилизируйте его вместе с бытовыми отходами. Этот продукт подлежит раздельному сбору отходов.



Раздельный сбор использованных продуктов и упаковочных материалов позволяет производить их вторичную переработку с дальнейшим повторным использованием. Повторное использование материалов, прошедших вторичную переработку, снижает загрязнение окружающей среды и уменьшает потребность в сырьевых материалах.

Нормативные акты местных органов власти могут предусматривать сбор использованных электрических изделий отдельно от бытовых отходов, в муниципальных пунктах сбора отходов или в магазине при покупке нового изделия.

BLACK+DECKER предоставляет возможность для сбора и повторной переработки продуктов BLACK+DECKER после окончания срока их службы. Чтобы воспользоваться преимуществом этого сервиса, пожалуйста, отправьте ваш продукт любому уполномоченному представителю по ремонту, который собирает такие изделия от нашего имени.

Вы можете узнать адрес нашего ближайшего уполномоченного представителя по ремонту, позвонив в региональное представительство BLACK+DECKER, указанное в этой инструкции. Кроме того, список уполномоченных представителей по ремонту BLACK+DECKER, подробная информация о послепродажном обслуживании и контактные данные можно найти на сайте www.2helpU.com.

Чистка



Внимание: Никогда не используйте растворители или другие агрессивные химические средства для очистки неметаллических деталей инструмента или блока питания. Эти химикаты могут ухудшить свойства пластиковых материалов, применённых в данных деталях. Используйте ткань, смоченную в воде с мягким мылом. Не допускайте попадания какой-либо жидкости внутрь инструмента или блока питания; ни в коем случае не погружайте какую-либо часть инструмента или блока питания в жидкость.

Примечание: Перед чисткой отсоедините от GoPak инструмент и оба USB-кабеля.

Для чистки инструмента или блока питания используйте только слабый мыльный раствор и влажную ткань. Большинство бытовых чистящих средств содержат химикаты, способные серьёзно повредить пластик. Также не используйте для чистки бензин, скипидар, растворители для лаков и красок, жидкости для химической чистки или другие похожие продукты.

Возможные неисправности и способы их устранения

GoPak не питает или не заряжает Ваше устройство.

При попытке использования USB ближайший к кнопке состояния заряда светодиодный индикатор начнёт мигать красным светом.

GoPak очень горячий или очень холодный. Дождитесь нагревания или остывания GoPak.

GoPak не питает Ваш совместимый инструмент.

Зарядите аккумулятор. Если светодиодный индикатор не загорится, обратитесь к п.1 раздела «Возможные неисправности и способы их устранения».

Ремонт

Аккумулятор GoPak 2-в-1 BLACK+DECKER не требует сервисного обслуживания.



Внимание: В целях обеспечения БЕЗОПАСНОСТИ и ДОЛГОВЕЧНОСТИ в использовании продукта ремонт, техническое обслуживание и регулировка (включая осмотр и замену угольных щёток) должны производиться только в производственных сервисных центрах BLACK+DECKER или авторизованных сервисных центрах BLACK+DECKER. Всегда используйте сменные детали, идентичные оригинальным.

Технические характеристики

BCS601		
Напряжение питания	В пост. тока	12
Частота хода без нагрузки	ход/мин.	0-2800
Величина хода	мм	16
Макс. глубина реза:		
Древесина	мм	52
Сталь	мм	5
Алюминий	мм	17
Вес	кг	1,19 (1,44 с аккумулятором)

Гарантийные обязательства

BLACK+DECKER уверена в качестве своих изделий и предоставляет исключительную гарантию. Данное заявление о гарантии дополняет и ни в коей мере не нарушает ваши законные права.

Если продукт производства BLACK+DECKER придет в негодность вследствие некачественных материалов, некачественного изготовления или несоответствия требованиям, BLACK+DECKER гарантирует в пределах 24-х месяцев с даты продажи выполнять замену дефектных деталей, выполнять ремонт изделий, подвергшихся естественному износу, или выполнять замену таких изделий, для сведения к минимуму неудобств для покупателя, за исключением перечисленных ниже случаев:

- Данный продукт был использован для продажи, на промышленных работах или сдавался на прокат.
- Данный продукт использовался неправильно или без надлежащего ухода.
- Данному продукту был нанесен ущерб посторонними предметами, веществами или вследствие чрезвычайного происшествия.
- Была осуществлена попытка ремонта продукта лицами, не являющимися уполномоченными представителями по ремонту или ремонтно-обслуживающим персоналом BLACK+DECKER.

Чтобы заявить претензию по гарантии, необходимо будет предоставить подтверждение покупки продавцу или уполномоченному представителю по ремонту. Вы можете узнать адрес нашего ближайшего уполномоченного представителя по ремонту, позвонив в региональное представительство BLACK+DECKER, указанное в этой инструкции. Кроме того, список уполномоченных представителей по ремонту BLACK+DECKER, подробная информация о послепродажном обслуживании и контактные данные можно найти на сайте www.2helpU.com.



Гарантийные условия

Уважаемый покупатель!

1. Поздравляем Вас с покупкой высококачественного изделия Black+Decker и выражаем признательность за Ваш выбор.
2. При покупке изделия требуйте проверки его комплектности и исправности в Вашем присутствии, инструкцию по эксплуатации и заполненный гарантийный талон на русском языке.

В гарантийном талоне должны быть внесены: модель, дата продажи, серийный номер, дата производства инструмента; название, печать и подпись торговой организации. При отсутствии у Вас правильно заполненного гарантийного талона мы будем вынуждены отклонить Ваши претензии по качеству данного изделия.

3. Во избежание недоразумений убедительно просим Вас перед началом работы с изделием внимательно ознакомиться с инструкцией по его эксплуатации.

Правовой основой настоящих гарантийных условий является действующее Законодательство.

Гарантийный срок на данное изделие составляет 24 месяца и исчисляется со дня продажи. В случае устранения недостатков изделия, гарантийный срок продлевается на период его нахождения в ремонте. Срок службы изделия - 5 лет со дня продажи.

4. В случае возникновения каких-либо проблем в процессе эксплуатации изделия рекомендуем Вам обращаться только в уполномоченные сервисные центры BLACK+DECKER, адреса и телефоны которых Вы сможете найти в гарантийном талоне, на сайте www.2helpU.com или узнать в магазине. Наши сервисные станции - это не только квалифицированный ремонт, но и широкий ассортимент запчастей и принадлежностей.
5. Производитель рекомендует проводить периодическую проверку и техническое обслуживание изделия в уполномоченных сервисных центрах.



Изготовитель

Блэк энд Деккер Холдингс ГмбХ
Германия, 65510, Индштайн,
ул. Блэк энд Деккер, 40

6. Наши гарантийные обязательства распространяются только на неисправности, выявленные в течение гарантийного срока и вызванные дефектами производства и \ или материалов.
7. Гарантийные обязательства не распространяются на неисправности изделия, возникшие в результате:
 - 7.1. Несоблюдения пользователем предписаний инструкции по эксплуатации изделия, применения изделия не по назначению, неправильному хранении, использования принадлежностей, расходных материалов и запчастей, не предусмотренных производителем.
 - 7.2. Механического повреждения (сколы, трещины и разрушения) внутренних и внешних деталей изделия, основных и вспомогательных рукояток, сетевого электрического кабеля, вызванного внешним ударным или любым иным воздействием.
 - 7.3. Попадания в вентиляционные отверстия и проникновение внутрь изделия посторонних предметов, материалов или веществ, не являющихся отходами, сопровождающими применение изделия по назначению, такими как: стружка, опилки, песок, и пр.
 - 7.4. Воздействие на изделие неблагоприятных атмосферных и иных внешних факторов, таких как дождь, снег, повышенная влажность, нагрев, агрессивные среды, несоответствие параметров питающей электросети, указанным на инструменте.
 - 7.5. Стихийного бедствия. Повреждение или утрата изделия, связанное с непредвиденными бедствиями, стихийными явлениями, в том числе вследствие действия непреодолимой силы (пожар, молния, потоп и другие природные явления), а так же вследствие перепадов напряжения в электросети и другими причинами, которые находятся вне контроля производителя.
8. Гарантийные условия не распространяются:
 - 8.1. На инструменты, подвергавшиеся вскрытию, ремонту или модификации вне уполномоченной сервисного центра.
 - 8.2. На детали и узлы, имеющие следы естественного износа, такие как: приводные ремни и колеса, угольные щетки, смазка, подшипники, зубчатое зацепление редукторов, резиновые уплотнения, сальники, направляющие ролики, муфты, выключатели, бойки, толкатели, стволы и т.п.
 - 8.3. на сменные части: патроны, цанги, зажимные гайки и фланцы, фильтры, аккумуляторные батареи, ножи, шлифовальные подошвы, цепи, звездочки, пыльные шины, защитные кожухи, пилки, абразивы, пыльные и абразивные диски, фрезы, сверла, буры и т.п.
 - 8.4. На неисправности, возникшие в результате перегрузки инструмента (как механической, так и электрической), повлекшей выход из строя одновременно двух и более деталей и узлов, таких как: ротора и статора, обеих обмоток статора, ведомой и ведущей шестерни редуктора и других узлов и деталей. К безусловным признакам перегрузки изделия относятся, помимо прочего: появление цветов побелалости, деформация или оплавление деталей и узлов изделия, потемнение или обугливание изоляции проводов электродвигателя под воздействием высокой температуры.

Призначення

Ваш електричний лобзик BCS601 виробництва BLACK+DECKER™ призначений для різання дерева, пластику та металу. Цей інструмент призначений тільки для побутового використання.

Загальні вказівки щодо безпечної роботи з електричним інструментом



Обережно! Уважно прочитайте всі попереджувальні написи та вказівки з техніки безпеки. Порушення наведених нижче попереджувальних написів і вказівок може призвести до ураження електричним струмом, пожежі та/або серйозних травм.

Потрібно зберігати всі попереджувальні написи та вказівки щодо безпечної роботи для використання в майбутньому.

Термін «електричний інструмент», що використовується в усіх наведених нижче застереженнях та вказівках з техніки безпеки, стосується цього електричного інструмента з живленням від мережі (через шнур живлення) чи від акумуляторної батареї (без шнура живлення).

1. Безпека на робочому місці

- a. **Робоче місце має бути прибрано та добре освітлене.** Безлад або погане освітлення на робочому місці може призвести до нещасного випадку.
- b. **Не працюйте з електроінструментом в місці зберігання вибухонебезпечних матеріалів, наприклад, у присутності легкозаймистих рідин, газів або пилу.** Іскри, що виникають під час роботи електричного інструмента, можуть призвести до займання пилу чи випарів.
- c. **Забороняється перебування дітей та сторонніх осіб поблизу електричного інструменту під час роботи.** Відволікання може призвести до втрати контролю за роботою інструмента.

2. Електрична безпека

- a. **Вилка шнура живлення інструмента має відповідати мережевій розетці.** Забороняється будь-яким чином змінювати конструкцію вилки шнура живлення. Забороняється використання будь-яких вилок-перехідників із заземленими (зануленими) електричними інструментами. Зміна конструкції вилок шнура живлення та

невідповідність електричних вилок і розеток збільшує ризик ураження електричним струмом.

- b. **Не торкайтеся поверхонь заземлених чи занулених предметів, наприклад, труб, радіаторів, електроплит або холодильників.** Заземлення чи занулення тіла підвищує ризик ураження електричним струмом.
 - c. **Необхідно берегти електричні інструменти від дощу та впливу підвищеної вологості.** Попадання вологи всередину електричного інструмента підвищує ризик ураження електричним струмом.
 - d. **Поводитися зі шнуром живлення необхідно уважно і обережно.** Забороняється підіймати, тягнути електричний інструмент та виймати його вилку з розетки за шнур. Слід берегти електричний шнур від впливу джерел тепла, оливи, гострих країв та рухомих деталей. Пошкодження і заплутування шнурів живлення підвищує ризик ураження електричним струмом.
 - e. **Під час роботи з електричним інструментом за межами приміщень необхідно використовувати відповідний подовжувач.** Використання подовжувача, призначеного для роботи поза приміщеннями, знижує ризик ураження електричним струмом.
 - f. **Якщо електричним інструментом необхідно користуватись у вологому місці, слід використовувати пристрій захисного вимкнення (ПЗВ) електричної мережі.** Використання ПЗВ знижує ризик ураження електричним струмом.
- ### 3. Техніка безпеки
- a. **Під час роботи з електричним інструментом необхідно бути обачним, слідкувати за роботою, що виконується, та керуватися здоровим глуздом.** Забороняється працювати з електричним інструментом у стані втому чи під впливом наркотиків, алкоголю і лікарських препаратів. Миттєве ослаблення уваги може призвести до серйозної травми.
 - b. **Необхідно використовувати засоби індивідуального захисту. Необхідно завжди використовувати засоби захисту очей.** Використання у відповідних умовах засобів індивідуального захисту, наприклад пилозахисної маски, протиковзкого захисного взуття, захисної каски або засобів захисту органів слуху, зменшує ризик отримання травм.

- c. Потрібно уникати ненавмисного вмикання інструмента.** Перш ніж під'єднати джерело живлення та/або акумулятор, або в разі, якщо необхідно підняти або перенести інструмент, переконайтесь, що його вимикач знаходиться у вимкненому положенні. Якщо тримати палець на вимикачі під час перенесення інструмента чи під'єднання увімкненого інструмента до мережі, це підвищує ризик нещасного випадку.
- d. Перш ніж увімкнути електричний інструмент, необхідно обов'язково вийняти з нього регульовальний чи гайковий ключ.** Якщо на рухомій деталі інструмента був залишений ключ, це може призвести до травми.
- e. Забороняється намагатися дотягнутися до важкодоступних місць.** Під час роботи необхідно міцно триматися на ногах і зберігати рівновагу. Це дозволяє краще контролювати електричний інструмент у непередбачуваних ситуаціях.
- f. Необхідно використовувати захисний одяг.** Забороняється одягати вільний одяг та прикраси. Волосся, одяг та рукавички мають знаходитися у безпечній відстані від рухомих деталей інструменту. Вільний одяг, прикраси чи довге волосся можуть бути захоплені рухомими елементами.
- g. Якщо встановлені пристрої під'єднання засобів пиловловлювання та пилозбірників, необхідно перевіряти, щоб вони були під'єднані та використовувалися належним чином.** Використання засобів пиловловлювання знижує рівень ризику, пов'язаного з наявністю пилу в повітрі.
- 4. Використання та догляд за електричним інструментом**
- a. Під час роботи з електричним інструментом забороняється прикладати надмірні зусилля. Дозволяється використовувати електричний інструмент тільки за призначенням.** Правильно підібраний електричний інструмент дозволить виконати роботу краще і безпечніше на швидкості, на яку він розрахований.
- b. Експлуатацію інструменту із несправним вимикачем заборонено.** Електричний інструмент, роботою якого не можна керувати за допомогою вимикача, є небезпечним та підлягає обов'язковому ремонту.
- c. Перш ніж виконувати регулювання електричного інструменту, замінювати на ньому приладдя чи класти його на зберігання, необхідно**
- вийняти вилку живлення з розетки та/або зняти з нього акумулятор. Такий запобіжний захід безпеки знижує ризик ненавмисного увімкнення інструменту.
- d. Зберігати електричний інструмент, що на разі не використовується, необхідно в недоступному для дітей місці, а його використання особами, які не знайомі з ним або з цією інструкцією, заборонено.** Електричний інструмент є небезпечним в руках ненавченої людини.
- e. Необхідно проводити технічне обслуговування електричного інструменту.** Перевіряйте центрування та з'єднання рухомих деталей, наявність пошкоджених деталей і будь-які фактори, які можуть негативно позначитися на роботі електричного інструмента. У разі виявлення пошкодження електричний інструмент необхідно відремонтувати, перш ніж його використовувати. Багато нещасних випадків трапляється через неналежне технічне обслуговування електричних інструментів.
- f. Різальні інструменти мають бути загостреними і чистими.** Різальний інструмент з гострими ріжучими кромками, який підтримується у належному робочому стані, менше застрягає, а керувати ним легше.
- g. Використовуйте електричний інструмент, приладдя, вставні різці тощо відповідно до цієї інструкції, враховуючи умови експлуатації та роботу, яку потрібно виконати.** Використання електричного інструмента не за призначенням може призвести до виникнення небезпечної ситуації.
- 5. Використання акумуляторної батареї та догляд за нею**
- **Заряджання акумуляторної батареї повинне виконуватися тільки за допомогою того зарядного пристрою, який вказав виробник акумуляторної батареї.** Якщо зарядний пристрій, який підходить для одного типу акумулятора, використовувати для зарядки акумулятора іншого типу, це може призвести до виникнення пожежонебезпечної ситуації.
 - **Використовуйте електричний інструмент тільки з конкретно зазначеними акумуляторними батареями.** Використання будь-яких інших акумуляторних батарей підвищує ризик травмування та виникнення пожежонебезпечної ситуації.
 - Якщо акумуляторна батарея не використовується, вона повинна зберігатися окремо від металевих

предметів, таких як канцелярські скріпки, монети, ключі, цвяхи, шурупи та інші невеликі металеві предмети, які можуть замкнутися клеми батареї. Коротке замикання клем акумуляторної батареї може призвести до опіків або пожежі.

- **В умовах неправильної експлуатації рідкий електроліт може бути викинутий з акумуляторної батареї, тому слід остерігатися контакту з електролітом.** Якщо стався випадковий контакт з рідким електролітом, промийте це місце водою. Якщо рідина потрапила в очі, необхідно також звернутися за медичною допомогою. Контакт з рідиною, викинутою з акумуляторної батареї, може призвести до подразнення або опіків.

6. Обслуговування

- а. **Обслуговувати електричний інструмент повинен тільки кваліфікований ремонтний персонал, і під час обслуговування повинні використовуватися тільки оригінальні запасні частини.** Це дозволить підтримувати безпечний стан електричного інструмента.

Правила техніки безпеки під час роботи з електричним лобзиком

- Під час виконання робіт, коли ріжуча деталь електричного інструменту може стикатися з прихованою електропроводкою, інструмент необхідно тримати за діелектричну поверхню. В разі контакту ріжучої деталі з дротом, що знаходиться під напругою, під напругу також можуть потрапити металеві деталі електричного інструмента, внаслідок чого виникне небезпека ураження оператора електричним струмом.
- Закріпіть деталь на стійкій основі затискачами або іншим зручним і практичним способом. Якщо тримати деталь руками або притискати її до тіла, вона буде перебувати в незакріпленому положенні, що може призвести до втрати контролю під час роботи інструмента.
- Руки не повинні знаходитися поблизу ділянки різання. Категорично забороняється торкатися нижньої поверхні матеріалу під час роботи. Триматися слід за спеціальну зону із нанесеним контуром у передній частині інструмента. Забороняється ставити пальці поблизу маятникового полотна і його затискача. Забороняється надавати стійкості лобзику захопленням опорної поверхні.
- Полотно потрібно постійно тримати гострим. Тупе полотно може призвести до того, що лобзик

відхилиться в сторону або зупиниться під тиском.

- Будьте особливо обережні під час різання над головою, особливо увагу звертаючи на розташовані над головою кабелі, газо- та водопроводи, які можуть бути непомітні для людського ока. Завчасно передбачте траєкторію падіння гілок і відходів.
- Під час різання труб і кабелепроводів перевіряйте, щоб у них не було води, електричних проводів тощо.

Збережіть ці інструкції

Додаткові інструкції з техніки безпеки



Обережно: завжди вдягайте захисні окуляри. У якості захисних окулярів забороняється використовувати звичайні окуляри. Крім того, в умовах заповненого робочого місця користуйтеся захисною маскою або респіратором. Завжди використовуйте лише сертифіковане захисне спорядження:

- Захист очей ANSI Z87.1 (CAN/CSA Z94.3),
- Захист вух ANSI S12.6 (S3.19),
- Захист органів дихання NIOSH/OSHA/MSHA.



Обережно: Пил, що утворюється під час шліфування, зачищення, обробки, свердління та інших будівельних робіт, які виконуються електроінструментом, може містити хімічні речовини, які, згідно законів штату Каліфорнія, здатні викликати рак, вроджені пороки та інші генетичні аномалії. Деякими прикладами таких хімічних речовин є наступні:

- свинець у свинцевих фарбах;
- кристалічний діоксид кремнію у цеглі, цементі та інших будівельних матеріалах;
- миш'як та хром у хімічно оброблених пиломатеріалах.

Небезпека впливу зазначених хімічних речовин залежить від частоти виконання таких видів робіт. Щоб зменшити вплив таких хімічних речовин, необхідно виконувати роботи в приміщенні, що добре провітрюється, та використовувати схвалені засоби захисту, такі як респіратори, розроблені спеціально для фільтрації мікроскопічних часток.

- Уникайте тривалого контакту з пилом, який створюється під час шліфування, зачищення, обробки, свердління та інших будівельних робіт, що виконуються електроінструментом. Необхідно

надягати захисний одяг та мити забруднені ділянки шкіри водою з милом. Потрапляння пилу до рота, очей, осідання на шкіру може призвести до накопичення шкідливих хімічних речовин.



Обережно: Використання інструменту може призвести до створення або підняття у повітря пилу, що здатен викликати серйозні та хронічні респіраторні

захворювання та інші травми. Завжди використовуйте засоби захисту органів дихання для захисту від пилу, які схвалені відповідними органами з охорони праці. Запобігайте потраплянню часток матеріалу, що обробляється на обличчя і тіло.



Обережно: Під час використання завжди застосовуйте засоби захисту органів слуху, що відповідають вимогам ANSI S12.6 (S3.19). За деяких умов та тривалості використання, шум, спричинений цим виробом, може призвести до втрати слуху.



Увага: Якщо виріб не використовується, помістіть його на бік на стійку горизонтально поверхню, щоб запобігти його перекиданню або падінню. Деякі вироби з масивною акумуляторною батареєю здатні стояти на ній, але в такому положенні їх дуже легко перекинути.

- Вентиляційні отвори можуть знаходитись навпроти рухомих частин, тому їх потрібно уникати. Вільний одяг, прикраси чи довге волосся можуть бути затягнуті рухомими елементами. В разі крайньої потреби в використанні шнура-подовжувача за межами приміщень, потрібно використовувати тільки подовжувач, спеціально призначений для такого використання.

Наклеїтка на вашому інструменті може містити наступні символи. Зовнішній вигляд символів та їхнє тлумачення:

Наклеїтки на інструменті



Наклеїтка на вашому інструменті може містити наступні символи.



Увага! Для зниження ризику травмування оператор повинен прочитати цю інструкцію з експлуатації.



Зарядний пристрій призначений тільки для використання всередині приміщення.

Уважно прочитайте всю інструкцію перед використанням електричного інструменту.

Положення штрих-коду з датою

Штрих-код з датою, який також включає рік виготовлення, надрукований на корпусі.

Приклад:

2017 XX JN
Рік виготовленн

Електрична безпека



Ваш зарядний пристрій має подвійну ізоляцію, і тому дріт заземлення йому не потрібен. Завжди перевіряйте, щоб мережева напруга відповідала значенню, зазначеному в таблиці з паспортними даними. Ніколи не намагайтеся замінити вилку в блоці зарядного пристрою звичайною мережевою вилкою.

- У разі пошкодження кабелю живлення, щоб уникнути виникнення небезпечних ситуацій, його заміну повинен виконати виробник обладнання або уповноважений сервісний центр BLACK+DECKER.

Акумуляторні батареї

Акумуляторні батареї не заряджені в стані поставки до максимального заряду. Перед початком використання акумуляторної батареї необхідно ознайомитися з зазначеними нижче інструкціями та виконати процедуру зарядження. Для замовлення акумуляторної батареї необхідно вказати номер згідно каталогу та номінальну напругу.

Уважно прочитайте усі вказівки

Важливі вказівки з техніки безпеки для усіх акумуляторних батарей



Обережно: Уважно прочитайте всі попереджувальні написи та вказівки з техніки безпеки, зазначені на акумуляторній батареї та електричному інструменті. Порушення попереджувальних написів і вказівок може призвести до ураження електричним струмом, пожежі та/або серйозних травм.

- Забороняється заряджати акумуляторну батарею у вибухонебезпечному середовищі, наприклад, в умовах наявності легкозаймистих рідин, газів чи пилу. Під'єднання або від'єднання кабелю зарядного пристрою може спричинити займання пилу або газів.
- Забороняється застосовувати силу під час під'єднання та від'єднання кабелю або інструменту до зарядного пристрою.
- Забороняється будь-яким чином змінювати конструкцію акумуляторної батареї, тому що це може призвести до вибуху та серйозних травм.

- Уникайте потрапляння бризок рідини або занурення у будь-яку рідину.
- Забороняється зберігати інструмент та акумуляторну батарею в місцях, де температура може сягати 104 °F (40 °C) або перевищувати цей рівень (наприклад під навісами або в металевих спорудах влітку). Задля подовження строку служби акумуляторної батареї необхідно зберігати її в сухому прохолодному місці.

Примітка: Забороняється зберігати акумуляторні батареї під'єднаними до інструменту з натисненим пусковим вимикачем. Забороняється фіксувати пусковий вимикач у положенні УВІМКНЕНО.

- Забороняється спалювати акумуляторну батарею навіть після того, як її було сильно пошкоджено або її ресурс було повністю вичерпано. Під впливом відкритого полум'я акумуляторна батарея може вибухнути. Під час спалювання літій-іонної акумуляторної батареї утворюються токсичні дими та речовини.
- В разі контакту вмісту акумуляторної батареї зі шкірою необхідно миттєво промити уражену ділянку мильним розчином. Якщо рідина, що міститься всередині акумуляторної батареї, потрапить в очі, необхідно промивати відчинені очі водою протягом 15 хвилин або доки не зменшиться відчуття подразнення. Якщо потрібний медичний догляд, важливо знати, що електроліт, що міститься всередині акумуляторної батареї, складається з рідких розчинів органічних карбонатів та солей літію.
- Вміст відкритої акумуляторної батареї може викликати подразнення органів дихання. В разі ураження вийдіть на свіже повітря. Якщо симптоми не зникають, зверніться до лікаря.



Обережно: Безбезпека отримання опіків. Рідина всередині акумуляторної батареї може зайнятися від іскри або відкритого полум'я.



Обережно: Безбезпека пожежі. За будь-якої причини не намагайтеся розібрати акумуляторну батарею. Якщо акумуляторна батарея тріснула або пошкоджена,

забороняється її використовувати або заряджати. Забороняється будь-яким чином пошкоджувати акумуляторну батарею. Забороняється використовувати акумуляторну батарею, яка зазнала удару, падіння, через яку переїхало колесо або було пошкоджено будь-яким іншим чином (наприклад, пробито цвяхом, ударено молотком, на яку наступили і т. ін.). Пошкоджені акумуляторні батареї потрібно повернути до сервісного центру на переробку.

Рекомендації зі зберігання

1. Рекомендується зберігати в прохолодному сухому місці без впливу прямих сонячних променів, а також занадто високих та занадто низьких температур.
2. В разі довгострокового зберігання для досягнення оптимальних результатів рекомендується зберігати повністю заряджену акумуляторну батарею в сухому прохолодному місці.

Примітка: Забороняється зберігати повністю розряджені акумуляторні батареї. Перед початком використання необхідно повністю зарядити акумуляторну батарею.

Знак RBRC®

Знак RBRC® (корпорації з переробки акумуляторних батарей) на нікель-кадмієвому, нікель-металгідридному або літій-іонному акумуляторі (або акумуляторній батареї) означає, що за подальшу утилізацію акумулятора (або акумуляторної батареї) в кінці її строку експлуатації вже сплачено компанією BLACK+DECKER. В деяких регіонах законом забороняється викидати нікель-кадмієві, нікель-металгідридні або літій-іонні акумулятори разом з побутовим сміттям, за таких обставин програма Call 2 Recycle® забезпечує екологічно безпечну альтернативу.

Корпорація Call 2 Recycle спільно з компанією BLACK+DECKER та іншими споживачами акумуляторної продукції організувала в США та Канаді програму зі збирання використаних нікель-кадмієвих, нікель-металгідридних або літій-іонних акумуляторів. Повертаючи -кадмієві, нікель-металгідридні або літій-іонні акумулятори в офіційний сервісний центр BLACK+DECKER або в місцеву точку роздрібного продажу для переробки, ви допомагаєте зберегти навколишнє середовище. Також ви можете звернутися до вашого місцевого центру з переробки по інформацію щодо подальшої утилізації використаної акумуляторної батареї. RBRC® — зареєстрована торговельна марка корпорації Call 2 Recycle.

Важливі примітки щодо заряджання

1. Для подовження строку служби та досягнення оптимальних експлуатаційних характеристик заряджайте акумуляторну батарею за температури 65 °F – 75 °F (18 °C – 24 °C). Заборонено заряджати акумуляторну батарею за температури повітря нижче 40 °F (4,5 °C) та вище 104 °F (40 °C). Це захистить батарею від серйозних пошкоджень.
2. Якщо акумуляторна батарея не заряджається належним чином:
 - a. перевірте струм в розетці, під'єднавши до неї лампу або інший прилад;

- b. перевірте, чи з'єднана розетка з вимикачем світла, який відключає живлення, коли ви вимикаєте світло;
- a. помістіть блок живлення та акумуляторну батарею в місце, де температура повітря складає від 65 °F до 75 °F (від 18 ° до 24 °C).
- b. Якщо проблему з зарядженням не вирішено, передайте інструмент, акумуляторну батарею, та кабель USB в місцевий сервісний центр.
3. Акумуляторну батарею слід заряджати, коли вона не забезпечує достатню потужність для виконання робіт, на які раніше вистачало потужності. НЕ ПРОДОВЖУЙТЕ використовувати акумуляторну батарею в таких умовах. Зарядіть батарею. Частково розряджену акумуляторну батарею можна заряджати в будь-який час без негативних наслідків для неї.

Транспортування



Обережно: Небезпека пожежі.

Забороняється зберігати або переносити акумуляторну батарею таким чином, щоб її відкриті клеми могли торкатися металевих предметів. Наприклад, забороняється складати акумуляторні батареї в кишені фартухів та одягу, ящики для інструментів, коробки з наборами інструментів, шухляди та інші місця, де можуть знаходитися цвяхи, шурупи, ключі і т. і. Транспортування акумуляторних батарей поряд з предметами, що проводять електричний струм, такими як ключі, монети, ручні інструменти та іншими може призвести до пожежі. Правила роботи з небезпечними речовинами (HMR) Міністерства транспорту США забороняють перевезення акумуляторних батарей комерційним транспортом та літаками в ручній поклажі, якщо не забезпечено належний захист від короткого замикання. Тобто, в разі необхідності перевезення окремих акумуляторних батарей необхідно забезпечити надійний захист відкритих клем від можливого контакту з матеріалами, що можуть викликати коротке замикання.

Увага: Якщо акумуляторні батареї GoPak від'єднані від інструменту, їхні клеми потрібно захищати відповідними ковпачками. Захисні ковпачки потрібно застосовувати в будь-який час, коли акумуляторна батарея від'єднана від інструменту. Перед під'єднанням акумуляторної батареї до інструменту потрібно зняти захисний ковпачок.

Вимоги Федеральної комісії з питань зв'язку США (FCC) до усіх цифрових пристроїв

Цей виріб відповідає вимогам частини 15 правил FCC та галузевого стандарту Канади RSS для пристроїв, що не

потребують ліцензування. Експлуатація виробу пов'язана з двома наступними умовами:

1. виріб не повинен створювати несприятливих перешкод, та
2. не повинен бути чутливим до будь-яких зовнішніх перешкод, в тому числі таких, що можуть завадити нормальній експлуатації виробу.

Зміна конструкції, не узгоджена з організацією, що відповідає за додержання вимог стандартів, може стати причиною ануляції права оператора на використання обладнання.

Цей виріб пройшов випробування та атестований на відповідність вимогам до цифрового пристрою Класу В згідно Частини 15 правил FCC. Цей клас відповідає пристроям, що забезпечують достатній рівень захисту для побутового використання. Цей виріб генерує, використовує та може випромінювати радіочастотні хвилі та за умови установки та використання з порушенням вимог інструкції може створювати несприятливі радіочастотні перешкоди. В будь-якому випадку неможливо гарантувати відсутність таких перешкод в конкретній установці. Якщо цей виріб створює несприятливі перешкоди для радіо- або телевізійних приймачів, що спостерігаються в момент увімкнення або вимкнення виробу, користувач може спробувати виправити ситуацію одним з наведених нижче шляхів:

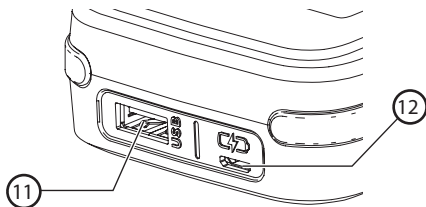
- змінити орієнтацію або положення антени приймача;
- збільшити відстань від виробу до приймача;
- під'єднати виріб до розетки, що належить до іншого електричного ланцюга, аніж та, до якої під'єднаний приймач;
- звернутися по допомогу до дилера або кваліфікованого спеціаліста з ремонту та налаштування телевізійної та радіотехніки.

CAN ICES-3(B)/NMB-3(B)

Початок роботи

- Порт Micro USB (12) на акумуляторній батареї GoPak 2 в 1 BLACK+DECKER призначений лише для заряджання акумуляторної батареї GoPak.
- Порт USB A (11) на акумуляторній батареї GoPak 2 в 1 BLACK+DECKER призначений лише для живлення USB-пристроїв (телефону, планшета, MP3-плеєру, портативних електронних пристроїв, ігрового контролера або ін.).

Рис. В



Зарядження акумулятору GoPak 2 в 1 BLACK+DECKER (Рис. С, D)

Обережно: Забороняється заряджати акумуляторну батарею GoPak 2 в 1 BLACK+DECKER через клеми під'єднання інструменту.



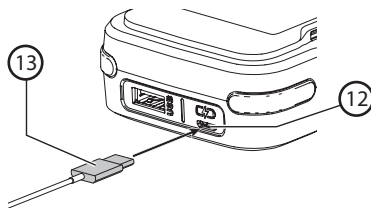
Обережно: Заряджати акумуляторну батарею GoPak 2 в 1 BLACK+DECKER тільки через USB-порти, схвалені UL або CSA, що призначені для зарядження потужних пристроїв.



Якщо для зарядження акумуляторної батареї GoPak використовується комп'ютер, він може видати сповіщення про помилку.

1. Вставте кабель мікро USB (в комплекті) (13) в блок живлення USB (не входить в комплект).
2. Вставте штекер мікро USB зарядного шнура в порт мікро USB акумуляторної батареї GoPak (12).
3. В процесі зарядження акумуляторної батареї GoPak індикатори стану заряду будуть по черзі вмикатися. Світлодіодні індикатори, що світяться, показують стан заряду акумуляторної батареї. Світлодіодний індикатор, що блимає, показує наступний рівень заряду, якого ще не досягнуто. Кнопка контролю заряду (9) під час зарядження не функціонує.
4. Коли процес зарядження завершиться, усі чотири індикатори вимкнуться. Натиснення кнопки контролю заряду (9) вмикє усі чотири індикатори. Акумуляторна батарея повністю заряджена та готова до використання. Її можна залишити у зарядному пристрої.
5. Заряджайте розряджені акумуляторні батареї якомога скоріше, інакше строк служби батареї може суттєво скоротитися. Щоб подовжити строк використання акумуляторної батареї рекомендується не доводити її до повного розряду. Рекомендується дозаряджати акумуляторні батареї після кожного використання.

Рис. С



Індикатор стану заряду (Рис. D)

Акумуляторна батарея GoPak 2 в 1 BLACK+DECKER обладнана кнопкою контролю заряду (9) та чотирма світлодіодними індикаторами заряду.

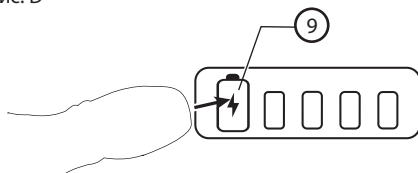
Індикатор стану заряду показує приблизні рівні заряду, що залишився в акумуляторній батареї, тобто:

	96-100% charged
	76-95%
	51-75%
	26-50%
	Pack needs to be charged

Щоб перевірити стан заряду акумулятору, натисніть кнопку контролю стану заряду. Після цього засвітяться комбінація з чотирьох світлодіодів, що показує рівень заряду. Якщо рівень заряду в акумуляторі занадто низький для подальшої роботи, то жоден з індикаторів не засвітиться або блиматиме поодинокий індикатор.

Примітка: Світлодіодні індикатори починають світитися тільки після натиснення кнопки контролю заряду.

Рис. D



- Щоб в будь-який момент подивитись стан заряду, натисніть кнопку контролю стану заряду.

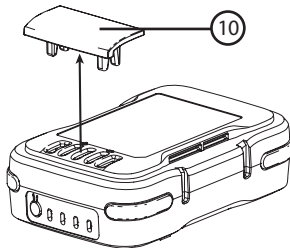
Примітка: Індикатор стану заряду показує лише кількість заряду, що залишилась в акумуляторній батареї. Він не показує працездатність інструменту, а його індикація може змінюватися залежно від конфігурації системи, температури та режиму роботи.

Примітка: Якщо акумуляторні батареї GoPak від'єднані від інструменту, їхні клеми потрібно захищати відповідними ковпачками. Захисні ковпачки потрібно застосовувати в будь-який час, коли акумуляторна батарея від'єднана від інструменту. Перед під'єднанням акумуляторної батареї до інструменту потрібно зняти захисний ковпачок.

Захисний ковпачок для клем акумуляторної батареї GoPak

Захисні ковпачки (10) потрібно застосовувати в будь-який час, коли акумуляторна батарея від'єднана від інструменту. Перед під'єднанням акумуляторної батареї до інструменту потрібно зняти захисний ковпачок згідно Рисунку E.

Рис. E



Складові (Рис. А)



Обережно: Заборонено змінювати конструкцію інструмента або його частин. Це може призвести до травмування.

Повний перелік складових частин зазначений на Рисунку А на початку цієї інструкції.

Забороняється використовувати в умовах підвищеної вологості та в середовищі з наявністю легкозаймистих рідин і газів.

Не дозволяйте дітям грати з цим інструментом. Використання інструменту некваліфікованими особами дозволяється тільки під наглядом досвідченого користувача.

Збирання та налаштування



Обережно: Щоб запобігти травмуванню, перед початком регулювання або зняття та встановлення приладдя необхідно завжди вимикати інструмент та від'єднувати акумуляторну батарею. Раптове вмикання може призвести до травмування.



Обережно: Небезпека порізів. Перш ніж приступити до виконання будь-якої з наступних операцій, переконайтеся, що інструмент вимкнений, акумуляторна батарея від'єднана, а полотно зупинено. Ріжуче полотно під час роботи може бути гарячим.

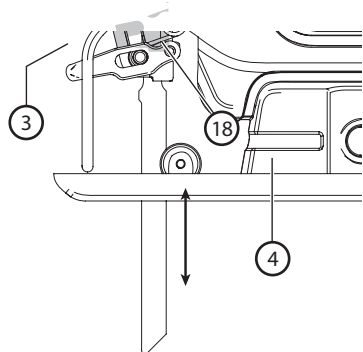


Обережно: Під час від'єднання або установки ріжучого полотна необхідно від'єднувати акумуляторну батарею.

Установка ріжучого полотна (Рис. А, F)

- Узяти полотно (5) зубцями вгору, як показано на рисунку.
- Відведіть важіль блокування (3) від опорної плити (4).
- Вставте до упору хвостовик ріжучого полотна, розташованого зубцями вгору, в утримувач полотна (18) до упору.
- Відпустіть важіль.
- Потягніть за полотно, щоб переконатися, що полотно надійно зафіксовано.

Рис. F



Робота

Обережно: Щоб запобігти травмуванню, перед початком регулювання або зняття та встановлення приладдя необхідно завжди вимикати інструмент та від'єднати акумуляторну батарею. Раптове вмикання може призвести до травмування.

Обережно: Забороняється використовувати інструмент, якщо опорна плита не закріплена або ослаблена.

Під'єднання акумуляторної батареї GoPak 2 в 1 в електричний інструмент та від'єднання її від нього (Рис. G)

Обережно: Перед під'єднанням акумуляторної батареї GoPak 2 в 1 BLACK+DECKER до відповідного інструменту витягніть з неї будь-які кабелі USB.

1. Якщо на клеммах акумуляторної батареї BLACK+DECKER GoPak 2 в 1 встановлений захисний ковпачок, зніміть його.†
2. Щоб під'єднати сумісний з акумуляторною батареєю GoPak MAX* 12 В інструмент, розташуйте клемми на нижній поверхні інструменту навпроти відповідних контактів на акумуляторній батареї (6) згідно Рис. G.



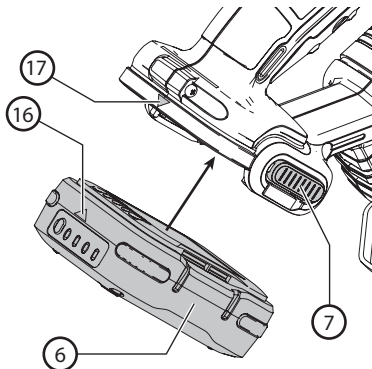
Примітка: Індикатор статусу заряду буде розташований на задньому боці відносно інструменту, а USB-порти — на передньому. Стрілка на акумуляторній

батареї повинна співпадати зі стрілкою на корпусі інструмента, як показано на Рис. G.

3. Вставте акумуляторну батарею GoPak 2 в 1 BLACK+DECKER в кріплення в нижній частині інструменту. Стрілка (16) на корпусі акумуляторної батареї повинна співпадати зі стрілкою (17) на корпусі інструмента. Перед початком роботи переконайтеся, що акумуляторна батарея повністю вставлена та зафіксована у правильному положенні.
4. Щоб від'єднати акумуляторну батарею GoPak 2 в 1 BLACK+DECKER від акумулятора, натисніть дві кнопки фіксації акумуляторної батареї (7) розташовані на інструменті, та витягніть акумулятор GoPak 2 в 1 BLACK+DECKER з кріплення інструменту.

Примітка: Під час натискання пускового вимикача USB-порти акумуляторної батареї GoPak 2 в 1 BLACK+DECKER вимикаються.

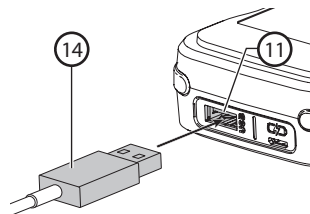
Рис. G



Використання акумуляторної батареї GoPak 2 в 1 для зарядження USB-пристроїв (Рис. H)

1. Вставте штекер кабелю USB A вашого пристрою (11) в порт акумуляторної батареї GoPak 2 в 1 BLACK+DECKER (10) а інший кінець — в порт сумісного пристрою, схваленого UL або CSA (телефон, планшету, MP3-плеєру, портативних електронних пристроїв, ігрового контролера або ін.). Процес зарядження розпочнеться автоматично.

Рис. H



Функції

Акумуляторна батарея GoPak 2 в 1 BLACK+DECKER може забезпечити живлення інструментів BLACK+DECKER 12 В GoPak MAX* та заряджати мобільні пристрої. Для забезпечення портативності акумуляторної батареї був розроблений компактний тонкий корпус.

- вхідний струм зарядження GoPak: до 2,4 А**
- вихідний струм зарядження GoPak: до 2,4 А***

** Фактичний рівень вхідного струму залежить від блоку живлення (не входить в комплект).

*** Фактичний рівень вихідного струму залежить від під'єданого пристрою.

Порт живлення USB

Акумуляторна батарея GoPak 2 в 1 BLACK+DECKER обладнана портом живлення USB типу А. Він забезпечує загальний рівень струму до 2,4 А.



Примітка: Фактичний рівень живлення струму, що протікає через пристрій, залежить від характеристик пристрою та кабелю, що використовується.

Обережно: Під час використання акумуляторної батареї GoPak 2 в 1 BLACK+DECKER для живлення або зарядження USB-пристроїв необхідно захистити клеми за допомогою спеціального ковпачка.

- Клеми інструменту також потрібно захистити за допомогою спеціального ковпачка.
- Процес зарядження розпочнеться автоматично після під'єднання пристрою.
- Щоб зупинити зарядження, від'єднайте USB-пристрій.

Правильне положення рук (Рис. І)



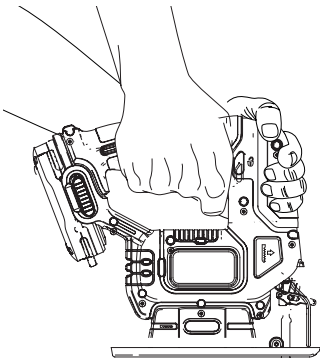
Обережно: Щоб зменшити ризик отримання серйозної травми, ЗАВЖДИ тримайте руки в положенні, показаному на рисунку.



Обережно: Щоб зменшити ризик отримання серйозної травми, завжди міцно тримайте інструмент та будьте готовим до раптової реакції.

Під час роботи однією рукою необхідно триматися за рукоятку інструменту, а іншою — за допоміжну рукоятку.

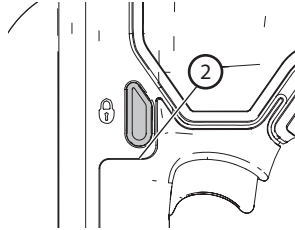
Рис. І



Увімкнення та вимкнення інструменту (Рис. А, J)

Цей інструмент обладнаний кнопкою блокування пускового вимикача (2). Щоб розпочати роботу з інструментом, необхідно розблокувати пусковий вимикач. Для цього натисніть кнопку блокування на бічній поверхні рукоятки, позначену значком замка.

Рис. J

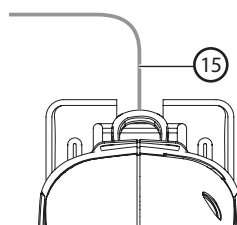


- Щоб увімкнути інструмент, натисніть вимикач (1). Швидкість роботи інструмента залежить від того, якою мірою ви натиснули перемикач.
- Щоб вимкнути інструмент, відпустіть перемикач кількості обертів.

Як використовувати функцію Sightline® (Рис. К)

1. Накреслити олівцем лінію різання.
2. Встановити електричний лобзик напроти лінії (15).
3. Якщо дивитися прямо над лобзиком, можна легко дотримуватися лінії різання.

Рис. К



Поради щодо ефективного використання інструмента

Загальні вказівки

Використовуйте високу швидкість для дерева, середню швидкість для алюмінію і ПВХ і малу швидкість для металів, крім алюмінію. Різні матеріали, окрім іншого, потребують для різання різні типи полотен.

Різнання шаруватих матеріалів

Різальне полотно здійснює різання під час руху вгору, тому на поверхні, по якій рухається опорна плита, може спостерігатися розщеплення.

- Використовуйте дрібнозубе різальне полотно.
- Виконуйте різання з тильного боку деталі.
- Щоб звести до мінімуму розщеплення, потрібно затиснути деталь, що оброблюється, між непотрібними шматками деревини або ДСП, а потім виконувати різання цієї конструкції.

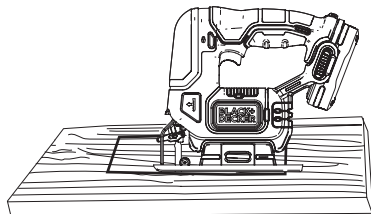
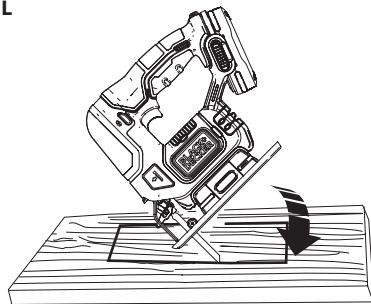
Різнання металу

- Пам'ятайте про те, що різання металу вимагає набагато більше часу, ніж різання дерева.
- Використовуйте різальне полотно, яке відповідає оброблюваному металу.
- Під час різання тонколистового металу рекомендується прикріпити до тильної сторони деталі непотрібний шматок деревини, а потім виконувати різання цієї конструкції.
- Уздовж наміченої лінії різання рекомендується нанести плівку оливи.

Вирізнання отворів (Рис. L)

Існує простий спосіб вирізнання в матеріалі отворів. Полотно можна вставити відразу в панель або в дошку без попереднього висвердлювання отвору. За цим способом необхідно спочатку виміряти розміри отвору, що вирізається, і точно розмітити лінію різання олівцем. Потім потрібно нахилити лобзик вперед, щоб передній кінець опорної плити міцно спирався на робочу поверхню, а полотно не торкалося робочої поверхні у повністю висунутому положенні. Увімкніть інструмент і дайте йому набрати максимальну швидкість. Міцно тримаючи лобзик, опустіть задній край інструменту, щоб опорна плита лягла на поверхню матеріалу. Притискаючи лобзик до поверхні матеріалу, продовжуйте різання. Не витягуйте полотно з різу, поки воно рухається. Полотно має повністю зупинитися.

Рис. L



Технічне обслуговування



Обережно: Щоб запобігти травмуванню, перед початком регулювання або зняття та встановлення приладдя необхідно завжди вимикати інструмент та від'єднувати акумуляторну батарею. Раптове вмикання може призвести до травмування.



Важливо: Щоб гарантувати безпеку та надійність інструменту, ремонт, обслуговування та налаштування (окрім описаних в цій інструкції) повинні проводитись в авторизованих сервісних центрах або кваліфікованими працівниками, завжди з використанням ідентичних запчастин.

Захист навколишнього середовища



Роздільний збір відходів. Забороняється утилізувати цей продукт разом зі звичайними побутовими відходами.

Якщо ви вирішите, що ваш виріб BLACK+DECKER необхідно замінити, або якщо

ви не будете його більше використовувати, не утилізуйте його разом з побутовими відходами. Цей продукт підлягає роздільному збору відходів.



Роздільний збір використаних продуктів та пакувальних матеріалів дозволяє здійснювати їх вторинну переробку з подальшим повторним використанням. Повторне використання матеріалів, що пройшли вторинну переробку, знижує забруднення навколишнього середовища та зменшує потребу в сировинних матеріалах.

Нормативні акти місцевих органів влади можуть передбачати збір використаних електричних виробів окремо від побутових відходів, в муніципальних пунктах збору відходів або в магазині при покупці нового обладнання.

BLACK+DECKER представляє можливість для збору та повторної переробки продуктів BLACK+DECKER після закінчення терміну їх служби. Щоб скористатися перевагою цього сервісу, будь ласка, надішліть ваш продукт будь-якому уповноваженому представнику з ремонту, який збирає такі вироби від нашого імені.

Ви можете дізнатися адресу вашого найближчого уповноваженого представника з ремонту, зателефонувавши в регіональне представництво BLACK+DECKER, вказане в цій інструкції. Крім того, список уповноважених представників з ремонту BLACK+DECKER, детальну інформацію про обслуговування після продажу та контактні дані можна знайти на сайті www.2helpU.com.

Очищення



Обережно: Для очищення неметалевих частин інструменту забороняється використовувати розчинники та агресивні хімічні речовини. Ці хімічні речовини можуть пошкодити пластмасові матеріали, з яких складаються ці деталі. Для очищення потрібно використовувати суху ганчірку та м'який мильний розчин. Не дозволяється проникнення рідини всередину інструменту та блоку живлення і занурення інструменту та блоку живлення будь-якою частиною в рідину.

Примітка: Перед чищенням вийміть з портів

усі USB-кабелі та від'єднайте від акумуляторної батареї інструмент.

Для очищення інструмента та блоку живлення дозволяється користуватися тільки м'яким мильним розчином і вологою ганчіркою. Багато побутових засобів для чищення містять хімічні речовини, які можуть серйозно пошкодити пластмасові деталі машини. Також не дозволяється використовувати бензин, терпентин, лак, розчинники для фарб, засоби для хімічного чищення та інші аналогічні продукти.

Пошук та усунення несправностей

1. Акумуляторна батарея GoPak не живить та не заряджає пристрої.

- a. Найближчий до кнопки контролю стану заряду індикатор блимає червоним під час спроби використання USB-порту.
- Температура акумуляторної батареї GoPak занадто висока або занадто низька. Перш ніж використовувати акумуляторну батарею, дайте їй охолонути або нагрітись.

2. Акумуляторна батарея GoPak не живить інструмент.

- Спробуйте зарядити акумулятор. Якщо перший світлодіодний індикатор не світиться, перейдіть до пункту 1 розділу «Пошук та усунення несправностей».

Ремонт

Акумуляторна батарея GoPak 2 в 1 BLACK+DECKER не потребує технічного обслуговування.



Обережно: щоб гарантувати безпеку та надійність інструменту, ремонт, обслуговування та налаштування (в тому числі заміну щіток) повинні проводити сервісні центри на виробництві компанії BLACK+DECKER, або авторизовані сервісні центри BLACK+DECKER. Необхідно використовувати виключно ідентичні запасні частини.

Технічні дані

BCS601		
Напруга	Впост. ст. 12	
Швидкість холостого ходу	Хв-1	0-2800 рухів/хв
Робоче переміщення	мм	16
Максимальна глибина різь:		
Деревина	мм	52
Сталь	мм	5
Алюміній	мм	17
Вага	кг	1,19 (з акумуляторною батареєю 1,44)



Гарантійні умови

Шановний покупець!

1. Вітаємо Вас з покупкою високоякісного виробу BLACK + DECKER і висловлюємо вдячність за Ваш вибір.
2. При покупці виробу вимагайте перевірки його комплектності і справності у Вашій присутності, інструкцію з експлуатації та заповнений гарантійний талон українською мовою
В гарантійному талоні повинні бути внесені: модель, дата продажу, серійний номер, дата виробництва інструменту; назва, печатка і підпис торгової організації. За відсутності у Вас правильно заповненого гарантійного талону, а також при невідповідності зазначених у ньому даних ми будемо змушені відхилити Ваші претензії щодо якості даного виробу.
3. Щоб уникнути непорозумінь, переконливо просимо Вас перед початком роботи з виробом уважно ознайомитися з інструкцією з його експлуатації. Правовою основою справжніх гарантійних умов є чинне Законодавство. Гарантійний термін на даний виріб складає 24 місяці і обчислюється з дня продажу. У разі усунення недоліків виробу, гарантійний строк продовжується на період його перебування в ремонті. Термін служби виробу становить 5 років з дня продажу.
4. У разі виникнення будь-яких проблем у процесі експлуатації виробу рекомендуємо Вам звертатися тільки в уповноважені сервісні центри BLACK + DECKER, адреси та телефони яких Ви зможете знайти в гарантійному талоні, на сайті www.2helpU.com або дізнатися в магазині. Наші сервісні станції - це не тільки кваліфікований ремонт, але і широкий асортимент запчастин і аксесуарів.
5. Виробник рекомендує проводити періодичну перевірку і технічне обслуговування виробу в уповноважених сервісних центрах.
6. Наші гарантійні зобов'язання поширюються тільки на несправності, виявлені протягом гарантійного терміну і викликані дефектами виробництва та \ або матеріалів.
7. Гарантійні умови не поширюються на несправності виробу, що виникли в результаті:
- 7.1 Недотримання користувачем приписів інструкції з експлуатації виробу, застосування виробу не за призначенням, неправильного зберігання, використання приладдя, витратних матеріалів і запчастин, що не передбачені виробником.

- 7.2 Механічного пошкодження (відколи, тріщини і руйнування) внутрішніх і зовнішніх деталей виробу, основних і допоміжних рукояток, мережевого кабелю, що викликані зовнішнім ударним або будь-яким іншим впливом
- 7.3 Потраплення у вентиляційні отвори та проникнення всередину виробу сторонніх предметів, матеріалів або речовин, що не є відходами, які супроводжують застосування виробу за призначенням, такими як: стружка, тирса, пісок, та ін.
- 7.4 Впливу на виріб несприятливих атмосферних і інших зовнішніх факторів, таких як дощ, сніг, підвищена вологість, нагрівання, агресивні середовища, невідповідність параметрів електромережі, що зазначені на інструменті.
- 7.5 Стихійного лиха. Пошкодження або втрати виробу, що пов'язані з непередбаченими лихами, стихійними явищами, у тому числі внаслідок дії непереборної сили (пожежа, блискавка, потоп і інші природні явища), а також внаслідок перепадів напруги в електромережі та іншими причинами, які знаходяться поза контролем виробника.
8. Гарантійні умови не поширюються:
- 8.1. На інструменти, що піддавались розкриттю, ремонту або модифікації поза уповноваженим сервісним центром.
- 8.2. На деталі, вузли та матеріали, що мають сліди природного зносу, такі як: приводні ремені і колеса, вугільні щітки, мастило, підшипники, зубчасті чеплення редукторів, гумові ущільнення, сальники, направляючі ролики, муфти, вимикачі, бойки, штовхачі, стволи тощо.
- 8.3. На змінні частини: патрони, цанги, затискні гайки і фланці, фільтри, акумуляторні батареї, ножі, шліфувальні підшови, ланцюги, зірочки, пильні шини, захисні кожухи, пилки, абразиви, пильні і абразивні диски, фрези, свердла, бури тощо
- 8.4. На несправності, що виникли в результаті перевантаження інструменту (як механічного, так і електричного), що спричинили вихід з ладу одночасно двох і більше деталей і вузлів, таких як: ротора і статора, обох обмоток статора, веденої і ведучої шестерень редуктора або інших вузлів і деталей. До безумовних ознак перевантаження виробу відносяться, крім інших: поява кольорів мінливості, деформація або оплавлення деталей і вузлів виробу, потемніння або обвуглювання ізоляції проводів електродвигуна під впливом високої температури.



Виробник:
"Stanley BLACK+DECKER Deutschland GmbH" Black-&Decker Str.40, D-65510 Idstein, Німеччина

Kullanım amacı

BLACK+DECKER™ BCS601 dekupaj testereniz ahşap, plastik ve sac metal kesimi için tasarlanmıştır. Bu alet sadece hafif hizmet ve hobi kullanımını içindir.

Genel elektrikli alet güvenlik uyarıları

Uyarı! Bütün güvenlik uyarılarını ve talimatlarını mutlaka okuyun. Bu uyarılar ve talimatların herhangi birisine uyulmaması elektrik çarpması, yangın ve/veya ciddi yaralanma riskine neden olabilir.



Bütün uyarı ve güvenlik talimatlarını ileride bakmak üzere saklayın

Uyarılarda yer alan «elektrikli alet» terimi şebeke elektriğiyle (kablolu) veya akü/pille (şarjlı) çalışan elektrikli aletinizi ifade etmektedir.

1. Çalışma alanının güvenliği

- Çalışma alanını temiz ve aydınlık tutun.** Karışık veya karanlık alanlar kazaya davetiye çikartır.
- Elektrikli aletleri, yanıcı sıvılar, gazlar ve tozların bulunduğu yerler gibi yanıcı ortamlarda çalıştırmayın.** Elektrikli aletler, toz veya dumanları ateşleyebilecek kıvılcımlar çikartır.
- Bir elektrikli aleti çalıştırırken çocuklardan ve etraftaki kişilerden uzak tutun.** Dikkatinizi dağıtıcı şeyler kontrolü kaybetmenize neden olabilir.

2. Elektrik güvenliği

- Elektrikli aletlerin fişleri prizlere uygun olmalıdır. Fiş üzerinde kesinlikle hiçbir değişiklik yapmayın.** Topraklı elektrikli aletlerde hiçbir adaptör fişi kullanmayın. Değiştirilmemiş fişler ve uygun prizler elektrik çarpması riskini azaltacaktır.
- Borular, radyatörler, ocaklar ve buzdolapları gibi topraklanmamış yüzeylerle vücut temasından kaçının.** Vücudunuzun topraklanması halinde yüksek bir elektrik çarpması riski vardır.
- Elektrikli aletleri yağmura maruz bırakmayın veya ıslatmayın.** Elektrikli alete su girmesi elektrik çarpması riskini arttıracaktır.

- Elektrik kablosunu uygun olmayan amaçlarla kullanmayın.** Elektrikli aleti kesinlikle kablosundan tutarak taşımayın, çekmeyin veya prizden çıkartmayın. Kabloyu sıcaktan, yağdan, keskin kenarlardan veya hareketli parçalardan uzak tutun. Hasarlı veya dolaşmış kablolar elektrik çarpması riskini artırır.

- Elektrikli bir aleti açık havada çalıştırıyorsanız, açık havada kullanıma uygun bir uzatma kablosu kullanın.** Açık havada kullanıma uygun bir kablounun kullanılması elektrik çarpması riskini azaltır.

- Eğer bir elektrikli aletin nemli bir bölgede çalıştırılması zorluyorsa, bir kaçak akım koruma cihazı (GFCI) korumalı bir kaynak kullanın.** Bir GFCI kullanılması elektrik şoku riskini azaltır.

3. Kişisel güvenlik

- Elektrikli bir aleti kullanırken her zaman dikkatli olun, yaptığınız işe yoğunlaşın ve sağduyulu davranın.** Elektrikli bir aleti yorgunken veya ilaç ya da alkolün etkisi altındayken kullanmayın. Elektrikli aletleri kullanırken bir anlık dikkatsizlik ciddi kişisel yaralanmayla sonuçlanabilir.
- Kişisel koruyucu ekipmanları mutlaka kullanın.** Daima koruyucu gözlük takın. Koşullara uygun toz maskesi, kaymayan güvenlik ayakkabıları, baret veya kulaklık gibi koruyucu donanımların kullanılması kişisel yaralanmaları azaltacaktır.
- İstem dTışı çalıştırılmasını önleyin.** Aleti güç kaynağına ve/veya aküye bağlamadan, yerden kaldırmadan veya taşımadan önce düğmenin kapalı konumda olduğundan emin olun. Aleti, parmağınız düğme üzerinde bulunacak şekilde taşımak veya açık konumdaki elektrikli aletleri elektrik şebekesine bağlamak kazaya davetiye çikartır.
- Elektrikli aleti açmadan önce tüm ayarlamaları anahtarlarını çıkartın.** Elektrikli aletin hareketli bir parçasına takılı kalmış bir anahtar kişisel yaralanmaya neden olabilir.
- Ulaşmakta zorlandığınız yerlerde kullanmayın. Daima sağlam ve dengeli basın.** Bu, beklenmedik durumlarda elektrikli aletin daha iyi kontrol edilmesine olanak tanır.

- f. Eğer bir elektrikli aletin nemli bir bölgede çalıştırılması zorunluysa, bir kaçak akım koruma cihazı (GFCI) korumalı bir kaynak kullanın.** Bir GFCI kullanılması elektrik şoku riskini azaltır.
- 3. Kişisel güvenlik**
- a. Elektrikli bir aleti kullanırken her zaman dikkatli olun, yaptığınız işe yoğunlaşın ve sağduyulu davranın.** Elektrikli bir aleti yorgunken veya ilaç ya da alkolün etkisi altındayken kullanmayın. Elektrikli aletleri kullanırken bir anlık dikkatsizlik ciddi kişisel yaralanmayla sonuçlanabilir.
- b. Kişisel koruyucu ekipmanları mutlaka kullanın.** Daima koruyucu gözlük takın. Koşullara uygun toz maskesi, kaymayan güvenli ayakkabıları, baret veya kulaklık gibi koruyucu donanımların kullanılması kişisel yaralanmaları azaltacaktır.
- c. İstem dışı çalıştırılmasını önleyin.** Aleti güç kaynağına ve/veya aküye bağlamadan, yerden kaldırmadan veya taşımadan önce düğmenin kapalı konumda olduğundan emin olun. Aleti, parmağınız düğme üzerinde bulunacak şekilde taşımak veya açık konumdaki elektrikli aletleri elektrik şebekesine bağlamak kazaya davetiye çikartır.
- d. Elektrikli aleti açmadan önce tüm ayarlama anahtarlarını çıkartın.** Elektrikli aletin hareketli bir parçasına takılı kalmış bir anahtar kişisel yaralanmaya neden olabilir.
- e. Ulaşmakta zorlandığınız yerlerde kullanmayın.** Daima sağlam ve dengeli basın. Bu, beklenmedik durumlarda elektrikli aletin daha iyi kontrol edilmesine olanak tanır.
- f. Uygun şekilde giyinin. Bol elbiseler giymeyin ve takı takmayın.** Saçınızı, elbiselerinizi ve eldivenlerinizi hareketli parçalardan uzak tutun. Bol elbiseler ve takılar veya uzun saç hareketli parçalara takılabilir.
- g. Eğer kullandığınız üründe toz emme ve toplama özellikleri olan ataşmanlar varsa bunların bağlı olduğundan ve doğru şekilde kullanıldığından emin olun.** Bu toz toplama ataşmanların kullanılması tozla ilgili tehlikeleri azaltabilir.
- 4. Elektrikli aletlerin kullanımı ve bakımı**
- a. Elektrikli aleti zorlamayın.** Uygulamanız için doğru elektrikli aleti kullanın. Doğru elektrikli alet, belirlendiği kapasite ayarında kullanıldığında daha iyi ve güvenli çalışacaktır.
- b. Tetik açmıyor ve kapatmıyorsa elektrikli aleti kullanmayın.** Tetikle kontrol edilemeyen tüm elektrikli aletler tehlikelidir ve tamir edilmesi gerekmektedir.
- c. Herhangi bir ayarlama, aksesuar değişimi veya elektrikli aletlerin saklanması öncesinde fişi güç kaynağından çekin ve/veya aküyü elektrikli aletten ayırın.** Bu tür önleyici güvenlik tedbirleri aletin istem dışı olarak çalıştırılması riskini azaltacaktır.
- d. Elektrikli aleti, çocukların ulaşamayacağı yerlerde saklayın ve elektrikli aleti tanımayan veya bu talimatları bilmeyen kişilerin elektrikli aleti kullanmasına izin vermeyin.** Elektrikli aletler, eğitimsiz kullanıcıların elinde tehlikelidir.
- e. Elektrikli aletleri iyi durumda muhafaza edin.** Hareketli parçalardaki hizalama hatalarını ve tutuklukları, parçalardaki kırılmalar ve elektrikli aletin çalışmasını etkileyebilecek tüm diğer koşulları kontrol edin. Hasarlı ise, elektrikli aleti kullanmadan önce tamir ettirin. Kazaların çoğu, elektrikli aletlerin bakımının yeterli şekilde yapılmamasından kaynaklanır.
- f. Kesim aletlerini keskin ve temiz tutun.** Bakımı uygun şekilde yapılmış keskin kesim uçlu kesim aletlerinin sıkışma ihtimali daha düşüktür ve kontrol edilmesi daha kolaydır.
- g. Elektrikli aleti, aksesuarlarını ve aletin diğer parçalarını kullanırken bu talimatlara mutlaka uyun ve çalışma ortamının koşullarını ve yapılacak işin ne olduğunu göz önünde bulundurun.** Elektrikli aletin öngörülen işlemler dışındaki işlemler için kullanılması tehlikeli durumlara neden olabilir.
- 5. Akü/pille çalışan aletin kullanımı ve bakımı**
- a. Sadece üretici tarafından belirtilen şarj cihazı ile şarj edin.** Bir akü tipine uygun bir şarj cihazı başka tipte bir aküyü şarj etmek için kullanıldığında yangın riski yaratabilir.

- b. Elektrikli aletleri yalnızca özel olarak tanımlanmış akülerle kullanın.** Başka bir akünün kullanılması yaralanma veya yangın riskine yol açabilir.
- c. Akü kullanımında değilken, ataç, bozuk para, anahtar, çivi, vida veya terminaler arasında kontağa neden olabilecek diğer küçük metal nesnelere uzak tutulmalıdır.** Akü terminalerinin birbirine kısa devre yapılmasını yanıklara veya yangına neden olabilir.
- d. Sıra dışı koşullarda sıvı aküden dışarı akabilir, temastan kaçının.** Yanlışlıkla cilde temas edilirse su ile yıkayın. Gözle temas durumunda ayrıca doktora başvurun. Aküden sıvı akması ciltte tahriş veya yanmaya neden olabilir.

6. Servis

- a. Elektrikli aletinizi, sadece orijinal yedek parçaların kullanıldığı yetkili servise tamir ettirin.** Bu, elektrikli aletin güvenliğinin muhafaza edilmesini sağlayacaktır.

Dekupaj testereler için güvenlik uyarıları

- Kesme aksesuarının gizli kablolarla temas edebileceği yerlerde çalışma yaparken elektrikli aleti yalıtımlı kavrama yüzeylerinden tutun. Kesme aksesuarının «akım taşıyan» bir kabloya temas etmesi durumunda elektrikli aletin metal kısımları da «akım taşıyıcı» hale gelecek ve kullanıcının elektrik çarpmasına neden olabilir.
- Üzerinde çalıştığınız parçayı sabitlemek ve desteklemek için kelepçeler veya başka pratik yöntemler kullanın. Parçayı elle veya vücudunuza dayamanız dengesiz durmasına neden olacaktır ve aletin kontrolünü kaybetmenize yol açabilir.
- Ellerinizi kesim alanından uzak tutun. Çalıştığınız parçanın altına hiçbir nedenle girmeyin. Şekillendirilmiş tutma yerinden testerenin ön kısmını tutun. Pistonlu bıçak ve bıçak kelepçesinin yakınına parmaklarınızı veya başparmağınızı sokmayın. Testereyi tabanından tutarak dengelemeye çalışmayın.
- Bıçakları keskin durumda muhafaza edin. Körelmiş bıçaklar testerenin basınç altında başka bir yöne fırlamasına veya sıkışmasına neden olabilir.

- Baş üstünde keserken aşırı özen gösterin ve ilk bakışta görülemeyen kablolarla özellikle dikkat ediniz. Dal ve atıkların düşme yönünü tahmin ederek hazırlıklı olun.
- Boru veya kanal keserken içlerinden su, elektrik kablosu vb. geçmediğinden emin olun.

Bu talimatları saklayın

Ek güvenlik talimatları



Uyarı: Her zaman koruyucu gözlük takın. Gündelik gözlük koruyucu gözlük DEĞİLDİR. Çalışma sırasında fazla toz oluşuyorsa yüz veya toz

maskesini takın. DAİMA sertifikalı koruyucu ekipmanlarınızı kullanın:

- Koruyucu gözlük ANSI Z87.1 (CAN/CPA Z94.3)
- Kulaklık ANSI S12.6 (S3.19)
- Solunma koruması NIOSH/OSHA/MSHA.



Uyarı: Güçlü zımparalama, kesme, taşlama, delme ve diğer inşaat faaliyetleri sırasında oluşturulan bazı tozlar, kansere, doğum kusurlarına ve

başka yeniden oluşabilen zararlara sebep olduğu bilinen kimyasalları içerir. Bu kimyasal maddelerin bazı örnekleri şunlardır:

- Kurşun bazlı boyalardan kurşun
- Tuğla, çimento ve diğer duvarcılık ürünlerinden silika kristaline
- Kimyasal olarak işlenmiş keresteden arsenik ve krom.

Yukarıdakilere maruz kalma riskiniz bu tip işleri ne kadar sıklıkla yaptığınıza göre değişir. Bu kimyasallara maruz kalma olasılığınızı azaltmak için: aleti iyi havalandırmalı bir yerde kullanın ve çalışırken özel mikroskobik partikülleri filtrelemek için tasarlanmış olan toz maskesi gibi onaylı koruyucu ekipmanları kullanın.

- Zımpara, kesme, taşlama, delme ve diğer inşaat faaliyetleri sırasında toz ile uzun süreli temastan kaçının. Koruyucu giysiler giyin ve açıkta kalan yerlerinizi sabun ve su ile yıkayın. Tozun ağıza, göze girmesi veya cilt üzerinde bulunması zararlı kimyasallar emilimini teşvik edebilir.



Uyarı: Bu aletin kullanılması ciddi ve kalıcı solunum problemlerine veya diğer yaralanmalara neden olabilen toz üretebilir ve/veya etrafa dağıtılabilir. Her zaman NIOSH / OSHA tarafından onaylı toz maruziyeti için uygun bir solunum korumasını kullanın. Yüzünüzü ve vücudunuzu uçan parçacıklardan uzakta tutun.



Uyarı: Kullanım sırasında daima ANSI S12.6'ya (S3.19) uygun kulaklık takın. Bazı koşullarda ve kullanım süresine göre bu aletin gürültüsü işitme kaybına neden olabilir.



Uyarı: Aleti kullanmadığınız zaman, devrilme veya düşme tehlikesine yol açmayacağı dengeli bir yüzeye yan tarafının üzerine yerleştirin. Büyük akülere sahip bazı aletler akünün üzerinde dik durabilir, ancak bunlar kolayca devrilebilir.

- Havalandırma delikleri genellikle hareketli parçalar ile kaplanırlar ve bu durumdaki kaçınılmalıdır. Bol elbiseler ve takılar veya uzun saç hareketli parçalara takılabilir. Dışarıda bir uzatma kablosu kullanılması kesinlikle gerekiyorsa, açık havada kullanıma uygun bir uzatma kablosu kullanın.

Alet üzerindeki etiketler

Aletin etiketinde aşağıdaki semboller bulunabilir:



Uyarı! Yaralanma riskini en az indirmek için kullanıcı kullanım talimatlarını mutlaka okumalıdır.



Şarj cihazı, yalnızca kapalı alanda kullanım içindir.



Aletle çalışmaya başlamadan önce bu kılavuzu dikkatlice okuyun.

Tarih kodu konumu

İmalat yılını da içeren Tarih Kodu gövdeye basılıdır.
Örnek:

2017 XX JN
İmalat Yılı

Elektrik güvenliği



Şarj cihazınız çift yalıtımlıdır; Bu yüzden hiçbir topraklama kablosuna gerek yoktur. Her zaman şebeke geriliminin aletin üretim etiketinde belirlenmiş değerlere uyup uymadığını kontrol edin. Şarj cihazını kesinlikle normal bir elektrik fişi ile değiştirmeye kalkışmayın.

- Elektrik kablosu hasarlı ise, bir tehlike oluşmasını önlemek için üretici ya da yetkili BLACK+DECKER Servis Merkezi tarafından değiştirilmelidir.

Aküler

Akü, kutudan şarjı dolu olarak çıkmaz. Aküyü kullanmadan önce, aşağıdaki güvenlik talimatlarını dikkatlice okuyun ve daha sonra belirtilen şarj işlemlerini uygulayın. Yedek aküleri sipariş ederken, katalog numarasını ve voltajı eklediğinizden emin olun.

Tüm talimatları okuyun

Tüm aküler için önemli güvenlik talimatları



Uyarı: Akü ve elektrikli alet ile verilen bütün güvenlik uyarılarını ve talimatlarını mutlaka okuyun. Bu uyarılar ve talimatların herhangi birisine uyulmaması elektrik çarpması, yangın ve/veya ciddi yaralanma riskine neden olabilir.

- Aküyü, yanıcı sıvılar, gazlar ve tozların bulunduğu yerler gibi yanıcı ortamlarda şarj etmeyin veya kullanmayın. Şarj kablosunu aküye takmak veya aküden çıkarmak toz veya dumanları tutuşturabilir.
- Aküye şarj kablosunu veya alete aküyü asla zorla takmayın. Akü kırılarak ciddi kişisel yaralanmaya neden olabileceğinden akünün üzerinde hiçbir şekilde değişiklik yapmayın.
- Su veya diğer sıvıları sıçratmayın veya bunlara daldırmayın.
- Aleti ve aküyü sıcaklığın 40°C'ye ulaştığı veya bu sıcaklığı aştığı yerlerde (yazın dış barakalar veya metal binalar gibi) depolamayın veya kullanmayın. En iyi çalışma ömrü için aküyü serin ve kuru bir yerde saklayın.

Not: Aküyü, tetik açık konumunda olan bir alette saklamayın. Tetiği kesinlikle açık konumda bağlamayın.

- Önemli ölçüde hasarlı veya tamamen eskimiş olsa bile aküyü ateşe atmayın. Akü ateşe atılırsa patlayabilir. Lityum iyon aküler yanında zehirli buharlar ve materyaller açığa çıkar.
- Akü içeriği cildinizle temas ederse, etkilenen alanı derhal yumuşak bir sabun ve suyla yıkayın. Akü sıvısı gözlerinize bulaşırsa, gözünüzü açık tutarak 15 dakika boyunca veya tahriş hissi geçene kadar suyla yıkayın. Tıbbi yardım gerekirse, akü elektroliti sıvı organik karbonatlar ve lityum tuzları karışımından oluşmaktadır.
- Açılan akü hücrelerinin içeriği solunum yolunu tahriş edebilir. Ortama temiz hava girmesini sağlayın. Belirtiler geçmezse tıbbi yardım alın.



Uyarı: Yanma tehlikesi. Akü sıvısı kıvılcıma veya ateşe maruz kalırsa yanıcı olabilir.



Uyarı: Yangın tehlikesi. Aküyü hiçbir nedenle asla açmayın. Akünün muhafazası çatılsa veya hasar görürse, aküyü kullanmaya veya şarj etmeye kalkışmayın. Aküyü çarpmayın, düşürmeyin veya aküye hasar vermeyin. Sert bir darbe almış, düşmüş, çığnenmiş veya herhangi bir şekilde hasar görmüş (örn. çiviyle delinmiş, çekiçle vurulmuş veya üzerine basılmış) bir aküyü veya şarj cihazını kullanmayın. Hasarlı aküler geri dönüşüm için servis merkezine gönderilmelidir.

Saklama önerileri

1. En iyi saklama ortamı serin ve kuru, doğrudan güneş ışığı almayan, aşırı sıcak ve soğuk olmayan yerlerdir.
2. Uzun süreli saklama için, en iyi sonuç için şarj cihazından uzak serin, kuru bir yerde tamamen dolu bir akü saklamak için tavsiye edilir.

Not: Aküler tamamen şarj boşalmış halinde saklanmamalıdır. Akünün kullanılmadan önce yeniden şarj edilmesi gerekir.

RBRC® Mührü

Nikel kadmiyum, nikel metal hidrit veya lityum iyon akülerin üzerindeki RBRC® (Şarj Edilebilir Akülerin Geri Dönüşüm Kurumu) Mührü, bu akülerin kullanım ömrünün sonunda geri dönüşüm masraflarının BLACK + DECKER tarafından ödenmiş olduğunu gösterir. Bazı alanlarda tüketilmiş nikel kadmiyum, nikel metal hidrit veya lityum iyon akülerin çöp veya belediye katı atıklara konması yasaktır ve Call 2 Recycle® programı çevreye duyarlı bir alternatif sunmaktadır.



Call 2 Recycle, Inc., BLACK + DECKER ve diğer akü kullanıcıları ile işbirliği içinde, tüketilmiş nikel kadmiyum, nikel metal hidrit veya lityum iyon akülerin toplanmasını kolaylaştırmak için Amerika Birleşik Devletleri ve Kanada'da programını kurdu. Tüketilmiş nikel kadmiyum, nikel metal hidrit veya lityum iyon aküleri geri dönüşüm için yetkili bir BLACK + DECKER servis merkezine veya yerel perakende satış mağazasına geri göndererek çevremizi korumaya yardımcı olun ve doğal kaynakları koruyun. Tüketilmiş akülerin nereye bırakılacağı konusunda bilgi için ayrıca yerel geri dönüşüm merkezine başvurabilirsiniz. RBRC®, Call 2 Recycle, Inc.'in tescilli ticari markasıdır.

Önemli şarj etme notları

1. En uzun akü ömrü ve en iyi akü performansı, akünün 18° - 24°C sıcaklıkta şarj edilmesiyle sağlanır. Sadece 4,5°C ila 40°C arasındaki ortam sıcaklıklarında şarj edin. Bu önemlidir ve aküye ciddi bir zararın verilmesini önler.
2. Akü düzgün bir şekilde şarj edilmiyorsa:
 - a. Prize bir lamba veya başka bir cihaz takarak prizden çalışıp çalışmadığını kontrol edin;
 - b. Prizin gücü açıp kapayan bir açma/kapama düğmesine (duy) bağlı olup olmadığını kontrol edin;
 - c. Güç adaptörü ve aküyü 18 °C ila 24 °C arasındaki ortam sıcaklığına getirin.
 - d. Sorun devam ederse aleti, aküyü ve USB kablusunu yerel servis merkezine getirin.

3. Akü, daha önce kolayca yapılan işlerde yeterince güç üretemeyecek duruma geldiğinde şarj edilmelidir. Bu şartlar altında aküyü kullanmaya DEVAM ETMEYİN. Şarj işlemlerini uygulayın. Ayrıca aküye herhangi bir olumsuz etkiyi olmadan, kısmen kullanılmış olan aküyü istediğiniz zaman şarj edebilirsiniz.

Taşıma

- !! **Uyarı: Yangın tehlikesi. Metal nesnelere açık akü terminalleriyle temas edebilecek şekilde aküyü saklamayın ya da taşımayın.** Örneğin: çivi, vida, anahtarları içeren önlük, cepler, alet kutuları, alet çantaları, çekmecelere aküyü koymayın.

Aküleri taşımak eğer akü terminalleri anahtar, bozuk para, el aletleri ve benzerleri gibi iletken malzemelerle dikkatsizlik sonucu temas ederlerse yangına neden olabilir.

ABD Tehlikeli Madde Düzenlemeleri (HMR)'ne göre, kısa devrelerden düzgün şekilde korunmadıkça aküleri ticarette veya uçaklarda bulunan bagajlarda taşımak yasaktır. Akülerin tek tek nakliyatını yaparken, akü kutularının iyi korunduğundan ve kutularla temas edip kısa devreye sebep olabilecek maddelerden iyi şekilde izole edildiğinden emin olun.

Uyarı: Akü elektrikli alete bağlı değilse GoPak akü terminali kapağı kullanılmalıdır. Kutuplar kapağı, akü aletin dışına çıktığı zaman kullanılmak üzere sağlanmıştır. Aküyü alet içine yerleştirmeden önce kapağı çıkarın.

Bütün dijital cihazlar için Federal İletişim Komisyonu (FCC) Kuralları

Bu cihaz, FCC Kuralları ve Kanada Sanayi Ruhsatı muaf RSS standartlarının (bölümlerinin) 15. bölümüne uygundur. Kullanım aşağıdaki iki koşula bağlıdır:

1. Bu cihaz zararlı parazitlere neden olabilir ve
2. bu cihaz, istenmeyen çalışmaya neden olabilecek zararlı parazitler dahil olmak üzere, alınan paraziti kabul etmelidir.

Uygunluktan sorumlu tarafça bilhassa

onaylanmayan değişiklikler veya modifikasyonlar cihazın kullanım yetkisinin geçersizleşmesine neden olabilir.

Bu ekipman test edilmiş ve Federal İletişim Komisyonu (FCC) Kurallarının 15. Bölümüne göre Sınıf B dijital cihaz sınırlamalarına uyduğu tespit edilmiştir. Bu sınırlar, yaşam alanlarında kurulduğunda zararlı parazitlere karşı makul koruma sağlamak üzere tasarlanmıştır. Bu ekipman radyo frekansı enerjisini üretir, kullanır ve yayabilir; kullanım kılavuzuna uygun olarak kurulmamış ve kullanılmamışsa, radyo iletişimde zararlı parazitlere neden olabilir. Bununla birlikte, belirli bir kurulumda parazitlere neden olmayacağına dair bir garanti yoktur. Bu ekipman radyo veya televizyon alımında zararlı parazitlere neden oluyorsa ve bu da cihazı kapatıp açarak belirlenebilirse, kullanıcı aşağıdaki önlemlerden birini veya birkaçını kullanarak paraziti düzeltmeye çalışmalıdır:

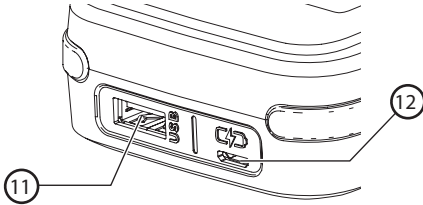
- Alınan antenin yönünü veya yerini değiştirin.
- Ekipman ve alıcı arasındaki mesafeyi arttırın.
- Ekipmanı, alıcının bağlı olduğu devreden farklı bir devredeki bir prize bağlayın.
- Yardım için satıcıya veya deneyimli bir radyo/TV teknisyenine danışın.

CAN ICES-3(B)/NMB-3(B)

Başlarken

- BLACK+DECKER GoPak ikisi bir arada akünün Micro USB girişi (12) sadece GoPak'ın şarj edilmesi için kullanılmalıdır.
- BLACK+DECKER GoPak ikisi bir arada akünün USB A girişi (11) yalnızca USB aygıtlarına (telefon/tablet/MP3/taşınabilir elektronik cihazlar/oyun denetleyicisi vb.) güç sağlamak için kullanılmaktadır.

Şekil B



BLACK+DECKER GoPak ikisi bir arada akünün şarj edilmesi (Şekil C, D)



Uyarı: BLACK+DECKER GoPak ikisi bir arada aküyü, GoPak üzerindeki alet kutupları kullanarak asla şarj etmeye çalışmayın.



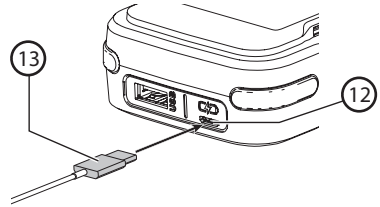
Uyarı: BLACK+DECKER GoPak ikisi bir arada aküyü, yalnızca yüksek performanslı cihazları şarj etmek için derecelendirilmiş UL veya CSA onaylı USB bağlantı noktalarını kullanarak şarj etmelisiniz. GoPak, daha eski USB girişlerine göre daha fazla akım çekebilir.

- GoPak'ı şarj etmek için bilgisayar kullanılıyorsa, bilgisayarınızda bir hata mesajı görüntülenebilir.
- Mikro USB kablosunu (ürünle birlikte verilir) (13) bir USB güç kaynağına (ürün ile birlikte verilmemektedir) takın.
- Şarj cihazınızın kablosunun mikro USB fişini GoPak mikro USB girişine (12) takın.
- GoPak şarj olurken, şarj göstergesi LED'leri yanacaktır. Yanan LED'ler akünün şarj durumunu gösterirler. Yanıp sönen LED, bir sonraki şarj seviyesinin devam ettiğini gösterir. Şarj işlemi süresince şarj durumu düğmesi (9) devre dışı bırakılır.
- Şarjın tamamlanması, dört LED'in kapanmasıyla gösterilir. Şarj durumu düğmesine (9) basarak dört LED'i de aydınlatabilirsiniz. Akü tamamen şarj

olmuştur ve hemen kullanılabilir veya şarj cihazında bırakılabilir.

- Boşalmış aküleri, kullanımdan sonra mümkün olan en kısa sürede şarj edin aksi taktirde akü ömrü önemli ölçüde azalacaktır. En uzun akü ömrü için, aküleri tamamen boşaltmayın. Her kullanımdan sonra akülerin şarj edilmesi önerilir.

Şekil C



Akü şarj göstergesi (Şekil D)

BLACK+DECKER GoPak ikisi bir arada akü, dört LED ekranı ve şarj durumu düğmesi (9) ile donatılmıştır.

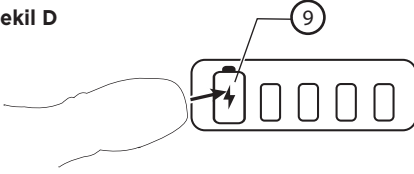
Şarj durumu, aşağıdaki göstergeler doğrultusunda aküde kalan yaklaşık şarj seviyelerinin bir göstergesidir:

	96-100% charged
	76-95%
	51-75%
	26-50%
	Pack needs to be charged

Şarj göstergesini görüntülemek için şarj durumu düğmesine basın. Dört LED ışığının bir kombinasyonu kalan şarj seviyesini gösterecek şekilde yanacaktır. Aküdeki şarj seviyesi kullanılabilir limitin altındayken, şarj göstergesi LED'leri yanmaz veya en aşağıdaki LED ışığı yanıp söner.

Not: Şarj göstergesi LED'leri yalnızca şarj durumu düşmesine bir kez basıldığında görüntülenir.

Şekil D



- Kalan şarj seviyesini görüntülemek için herhangi bir zamanda şarj durumu düşmesine basın.

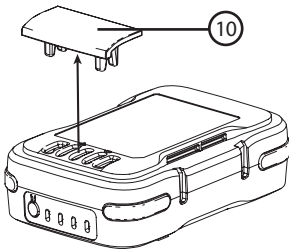
Not: Şarj göstergesi sadece aküde kalan şarj seviyesini gösterir. Bu alet işlevini göstermez; ürün parçaları, sıcaklık ve son kullanıcı uygulamaya göre değişime tabidir.

Not: Akü elektrikli alete bağlı değilse GoPak akü terminali kapağı kullanılmalıdır. Kutuplar kapağı, akü aletin dışına çıktığı zaman kullanılmak üzere sağlanmıştır. Aküyü alet içine yerleştirmeden önce kapağı çıkarın.

GoPak alet kutupları kapağı

Akü saklama ve taşıma kapağı (10), akü aletin dışına çıktığı zaman kullanılmak üzere sağlanmıştır. Aküyü alete takmadan önce kapağı Şekil E'de gösterildiği gibi çıkartın.

Şekil E



İçerikler (Şekil A)



Uyarı: Hiçbir zaman elektrikli aleti veya herhangi bir parçasını değiştirmeyin. Hasarla veya yaralanmayla sonuçlanabilir.

- Parçaların tam listesi için bu kılavuzun başındaki Şekil A'ya bakın.
- Islak koşullarda veya yanıcı sıvı ya da gazların mevcut olduğu ortamlarda kullanmayın.
- Çocukların aleti ellemesine izin vermeyin. Bu alet deneyimsiz kullanıcılar tarafından kullanılırken nezaret edilmelidir.

Montaj ve ayarlamalar



Uyarı: Ciddi yaralanma riskini azaltmak için herhangi bir ayar yapmadan ya da parça veya aksesuarları söküp takmadan önce aleti kapatın ve aküyü çıkartın. Aletin yanlışlıkla çalıştırılması yaralanmaya neden olabilir.



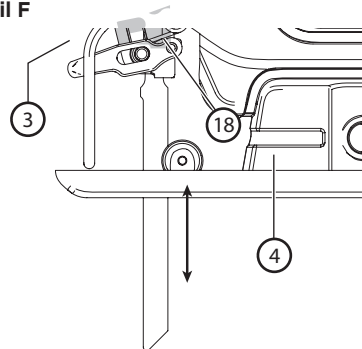
Uyarı: Bıçağın paralanma tehlikesi. Aşağıdaki işlemlerden herhangi birini gerçekleştirmeden önce, aküyü aletten çıkartınız ve testere bıçağının durduğundan emin olun. Kullanılmış testere bıçakları sıcak olabilir.

Uyarı: Bıçağı çıkartırken veya takarken aküyü çıkartın.

Testere bıçağının takılması (Şekil A, F)

1. Testere bıçağını (5) gösterildiği gibi dişleri dışarı bakacak şekilde tutun.
2. Kilitleme kolunu (3) testere tabanından (4) yukarıya doğru itin.
3. Testere bıçağını dişleri dışarı bakacak şekilde tutun ve bıçağın sap kısmını bıçak yuvasına (18) gittiği kadar sokun.
4. Bıçak kilitleme kolunu bırakın.
5. Bıçağın tam olarak sabitlendiğinden emin olmak için bıçağı çekin.

Şekil F



Kullanım

Uyarı: Ciddi yaralanma riskini azaltmak için herhangi bir ayar yapmadan ya da parça veya aksesuarları söküp takmadan önce aleti kapatın ve aküyü çıkartın. Aletin yanlışlıkla çalıştırılması yaralanmaya neden olabilir.



Uyarı: Yaralanma riskini azaltmak için aleti, tabanı gevşek veya çıkarılmışken kesinlikle kullanmayın.

GoPak ikisi bir arada akünün elektrikli alete takılması ve çıkarılması (Şekil G)

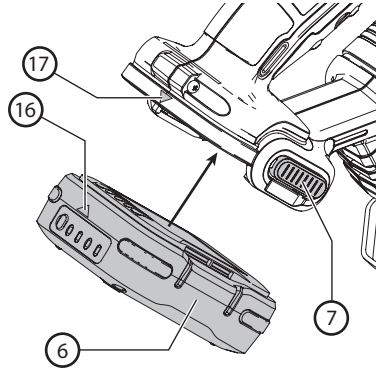
Uyarı: GoPak'ı uyumlu bir alete takmadan önce BLACK+DECKER GoPak ikisi bir arada aküden herhangi bağlanmış bir USB kablosunu sökün.

1. BLACK+DECKER GoPak ikisi bir arada akü üzerinde bir kutup kapağı takılıysa çıkartın.
2. Uyumlu bir GoPak 12V MAX* elektrikli aletini çalıştırmak için, aletin ucundaki kutupları akünün üzerindeki kutup yuvalarıyla (6) Şekil G'de gösterildiği gibi hizalayın.

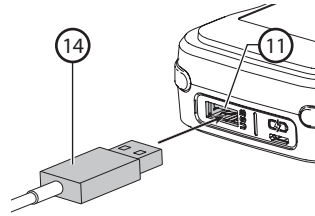
Not: Şarj göstergesi aletin arkasına bakacak ve USB girişleri ön tarafa gelecektir. Akü üzerindeki ok Şekil G'de gösterildiği gibi alet üzerindeki okla aynı hizaya gelecektir.

3. BLACK+DECKER GoPak ikisi bir arada aküyü alet ucuna oturtun. Akü üzerindeki ok (16) alet üzerindeki okla (17) aynı hizaya gelecektir. Aleti çalıştırmadan önce akünün tamamen yerleştirilmiş ve yerinde kilitlemiş olduğundan emin olun.
4. BLACK+DECKER GoPak ikisi bir arada aküyü aletten çıkartmak için alet üzerinde bulunan iki akü çıkartma düğmesine (7) basın ve BLACK+DECKER GoPak ikisi bir arada aküyü aletten çıkartın.

Not: BLACK+DECKER GoPak ikisi bir arada akünün USB girişleri tetik basıldığında devre dışıdır.

Şekil G

- USB cihazınızı şarj etmek için GoPak ikisi bir arada akünün kullanılması (Şekil H)
- Cihazınıza ait olan kablosunun USB A ucunu (14) BLACK+DECKER GoPak ikisi bir arada aküye (11), kablonun diğer ucunu UL veya CSA onaylı bir uyumlu cihaza (telefon/tablet/MP3/taşınabilir elektronik cihazlar/oyun denetleyicisi vb.) takın. Şarj işlemi otomatik olarak başlar.

Şekil H**Çalışma**

BLACK+DECKER GoPak ikisi bir arada akü, uyumlu BLACK+DECKER 12 V GoPak MAX* cihazlarınıza güç sağlayabilir veya mobil cihazlarınıza güç sağlayabilir/şarj edebilir. Akünün kompakt, ince gövde tasarımı taşınabilirlik için tasarlanmıştır.

- Go Pak şarj etme gücü: 2,4A'ye kadar**
- GoPak çıkış gücü: 2,4A'ye kadar***

** Gerçek şarj etme gücü oranı güç adaptörüne bağlıdır (ürünlr birlikte verilmemektedir).

*** Gerçek çıkış gücü oranı cihaza bağlıdır.

USB girişi

BLACK+DECKER GoPak ikisi bir arada akü, Tip A USB girişine sahiptir. Toplam çıkış akımını 2,4 amper'e kadar üretir.

Not: Cihaza iletilen akım kullanıcı cihazına ve kullanıcının seçtiği kabloya bağlıdır.



Uyarı: BLACK+DECKER GoPak ikisi bir arada aküyü cihazınıza güç sağlama/şarj etme sırasında kutup kapağının güvenli bir şekilde takıldığından emin olun.

- Kutup kapağını alet kutuplarına takın.
- USB'den cihaz bağlandığında cihaz şarj işlemi otomatik olarak başlayacaktır.
- Kapatmak için USB cihazını ayırın.

Uygun el pozisyonu (Şekil I)



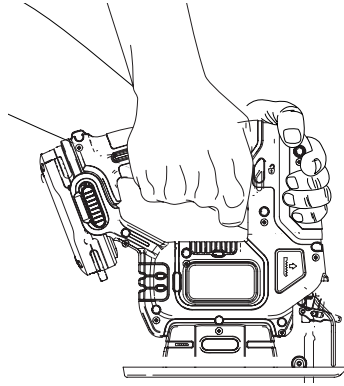
Uyarı: Ciddi yaralanma riskini azaltmak için, daima şekilde gösterilen uygun el pozisyonunu kullanın.



Uyarı: Ciddi kişisel yaralanma riskini azaltmak için, ani tepki ihtimaline karşı aleti daima sıkıca tutun.

Doğru el pozisyonu; bir el ana kolun, diğer el yan kolun üzerinde olacak şekildedir.

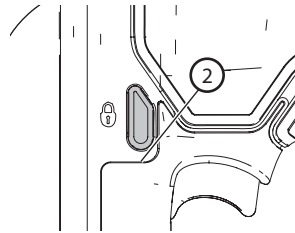
Şekil I



Açılması ve kapatılması (Şekil A, J)

Bu alet güvenlik düğmesi (2) ile donatılmıştır. Dekupaj testerenin açılması için düğme serbest bırakılmalıdır. Düğmeyi serbest bırakmak için kolun yanındaki kilit açma simgesini gösteren düğmeye basın.

Şekil J

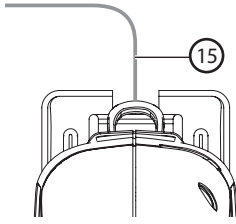


- Aleti açmak için, değişken hız ayarlı tetiğine (1) basın. Aletin hızı, tetiğe ne kadar bastığınıza bağlıdır.
- Aleti kapatmak için, değişken hız ayarlı tetiğini bırakın.

Sightline® özelliği nasıl kullanılır (Şekil K)

- Bir kurşun kalemle kesim hattını çizin.
- Dekupaj testereyi hattın (15) üzerine yerleştirin.
- Dekupaj testerenin tam üzerinden bakarak kesme hattı kolayca izlenebilir.

Şekil K



En uygun kullanım için yararlı tavsiyeler

Genel

Ahşap için yüksek, alüminyum ve PVC için orta ve alüminyum dışındaki metaller için düşük hızı kullanın. Belirli malzemeler ayrıca özel bıçaklar gerektirir (ayrı satılır).

Laminatların kesilmesi

Testere bıçağı yukarı doğru dönerek kestiği için, testere tabanının yakındaki malzeme yüzeyinde parçalanmalar meydana gelebilir.

- Hassas kesim bıçağı kullanın.
- Üzerinde çalıştığınız parçanın arka yüzünden kesin.
- Kıymıksız, temiz kesimler elde etmek için kesilen malzemenin her iki yüzeyine de bir parça kontrplak veya sert tahta parçaları yerleştirin ve kesim işlemini bu şekilde yapın.

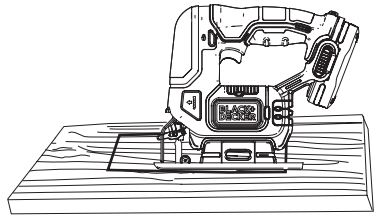
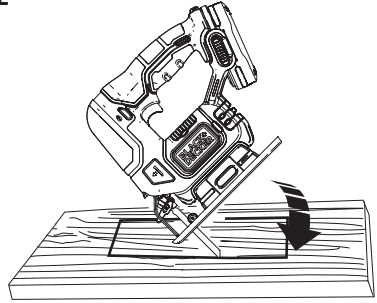
Metal kesme

- Metal kesiminin ahşap kesiminden çok daha fazla zaman aldığını unutmayın.
- Metal kesmeye uygun bir testere bıçağı kullanın.
- Sacı keserken üzerinde çalıştığınız parçanın her iki yüzüne bir parça takoz sıkıştırın ve oluşan bloğun içinden kesin.
- Öngördüğünüz kesim hattı boyunca bir kat yağ sürün.

Cep açma (Şekil L)

Cep açma, bir iç kesim yapmak için kolay bir yöntemdir. Testere, ön veya kılavuz delik açmadan bir panel veya tahtaya doğrudan yerleştirilebilir. Cep açma için kesilecek yüzey alanını ölçün ve bir kalem ile net bir şekilde işaretleyin. Sonrasında testereyi, tabanının ön ucu çalışma malzemesi üzerinde dik, sabit olacak ve bıçak dalma hareketiyle malzeme içine tamamen girecek şekilde ileri bakacak şekilde tutun. Aleti çalıştırın ve maksimum hız ulaşmasına izin verin. Testereyi sıkı tutun ve testere tabanı malzeme yüzeyi üzerinde düz oturana kadar testerenin arka kenarını yavaşça indirin. Testere tabanını ahşap üzerinde düz tutun ve kesmeye devam edin. Bıçak hareket ederken bıçağı kesimden çıkartmaya kalkışmayın. Bıçak tamamen durmalıdır.

Şekil L



Bakım



Uyarı: Ciddi yaralanma riskini azaltmak için herhangi bir ayar yapmadan ya da parça veya aksesuarları söküp takmadan önce aleti kapatın ve aküyü çıkartın. Aletin yanlışlıkla çalıştırılması yaralanmaya neden olabilir.

Önemli: Alet emniyet güvenliği ve güvenilirlik için bu kılavuzda belirtilenler dışında tamir, bakım ve ayarlamaların her zaman orijinal yedek parça kullanılarak, yetkili servisler tarafından yapılması gerekmektedir.

Çevrenin korunması



Ayrı olarak atın. Bu ürün, normal evsel atıklarla birlikte atılmamalıdır.

BLACK+DECKER ürününüzün değiştirilmesi gerektiğini düşünmeniz veya artık kullanılamaz durumda olması halinde onu, evsel atıklarla birlikte atmayın. Bu ürünü, ayrı olarak toplanacak şekilde atın.



Kullanılmış ürünlerin ve ambalajların ayrı olarak toplanması bu maddelerin geri dönüşüme sokularak yeniden kullanılmasına olanak tanır. Geri dönüşümlü maddelerin tekrar kullanılması çevre kirliliğinin önlenmesine yardımcı olur ve ham madde ihtiyacını azaltır.

Yerel yönetmelikler, elektrikli ürünlerin evlerden toplanıp belediye atık tesislerine aktarılması veya yeni bir ürün satın alırken perakende satıcı tarafından toplanması yönünde hükümler içerebilir.

BLACK+DECKER, hizmet ömrünün sonuna ulaşan BLACK+DECKER ürünlerinin toplanması ve geri dönüşme sokulması için bir imkan sunmaktadır. Bu hizmetin avantajlarından faydalanmak için, lütfen, ürününüzü bizim adımıza teslim alacak herhangi bir yetkili servise iade edin.

Bu kılavuzda belirtilen listeden size en yakın BLACK+DECKER yetkili tamir servisinin yerini öğrenebilirsiniz. Ya da, alternatif olarak internet'ten BLACK+DECKER yetkili tamir servislerinin listesini ve satış sonrası hizmetlerimizle ilgili tüm bilgiler ve temas bilgilerine aşağıdaki siteden ulaşabilirsiniz. www.2helpU.com

Temizleme



Uyarı: Aletin veya güç kaynağının metalik olmayan parçalarını temizlemek için asla çözücü veya başka sert kimyasal kullanmayın.

Bu kimyasallar bu plastik parçalarda kullanılan malzemeleri güçsüzleştirir. Yalnızca su ve yumuşak sabunla nemiendirilmiş bir bez kullanın. Aletin veya

güç kaynağının içine sıvı kaçmasına kesinlikle izin vermeyin; aletin veya güç kaynağının herhangi bir parçasını bir sıvı içine daldırmayın.

Not: Temizlemeden önce GoPak'tan alet ve her iki USB kablosu çıkartın.

Aleti veya güç kaynağını temizlemek için, sadece yumuşak sabun ve nemli bir bez kullanın. Birçok temizlik maddesi plastiğe ciddi bir zarar verebilecek kimyasallar içerirler. Ayrıca benzin, tiner, vernik, boya inceltici, kuru temizleme çözültisi veya benzeri ürünleri kullanmayın.

Arıza giderme

- GoPak cihazınıza güç sağlamıyor veya şarj etmiyor.
 - USB işlevselliğini denediğinizde, şarj durumu düğmesine en yakın LED ışığı kırmızı yanıp sönecektir.
 - GoPak çok sıcak veya çok soğuk. GoPak'ın ısınmasına veya soğumasına izin verin.
 - GoPak uyumlu alete güç sağlamıyor veya şarj etmiyor.
 - Aküyü şarj edin. LED ışığı yanmazsa «Arıza Giderme» bölümündeki 1. numaraya bakın.

Tamirler

BLACK+DECKER GoPak ikisi bir arada akü bakım gerektirmez.



Uyarı: Alet EMNİYET GÜVENLİĞİ ve GÜVENİLİRLİK için motor kömürünün kontrol edilmesi ve değiştirilmesi dahil olarak tamir, bakım ve ayarlamaların her zaman BLACK+DECKER fabrika servis merkezleri veya BLACK+DECKER yetkili servisler tarafından yapılması gerekmektedir. Daima orijinal yedek parça kullanın.

BCS601		
Voltaj	V_{DC}	12
Yüksüz bıçak hızı darbe/dak.		0-2800
Derinlik hareketi	mm	16
Maks. kesme derinliği:		
Ahşap	mm	52
Çelik	mm	5
Alüminyum	mm	17
Ağırlık	kg	1,19 (1,44 akü ile)

EN 62841'e göre ses basıncı düzeyi:

Ses basıncı (L_{pA}) 69,6 dB(A),
belirsizlik (K) 5 dB(A)

Akustik güç (L_{wA}) 90,6 dB(A),
belirsizlik (K) 5 dB(A)

EN 62481'e göre tespit edilen toplam titreşim değerleri (üç yönün vektör toplamı):

Metalde delme ($a_{h,D}$) < 5,2 m/s²,
belirsizlik (K) 1,5 m/s²

Darbesiz vidalama ($a_{h,M}$) < 6,1 m/s²,
belirsizlik (K) 1,5 m/s²

Bu bilgi sayfasında verilen titreşim emisyon düzeyi, EN 60745'te sağlanan standart teste uygun olarak ölçülmüştür ve aletleri birbiriyle karşılaştırmak için kullanılabilir. Ön maruziyet değerlendirmesi için kullanılabilir.



Uyarı: Beyan edilen titreşim emisyon düzeyi, aletin ana uygulamalarını yansıtır. Ancak alet farklı aksesuarlarla farklı

uygulamalar için kullanılırsa veya bakımı kötü yapılırsa, titreşim emisyonu değişebilir. Bu, toplam çalışma süresindeki 1,5 maruziyet düzeyini önemli ölçüde artırabilir.

Tahmini titreşim maruziyeti, aletin kapalı kaldığı veya çalışmasına karşın iş görmediği zamanları da dikkate alınmalıdır. Bu, toplam çalışma süresindeki maruziyet düzeyini önemli ölçüde azaltabilir.

Kullanıcıyı titreşim etkilerinden korumak için belirtilen ek güvenlik önlemlerini alın: aletin ve aksesuarların bakımını yapın, elleri sıcak tutun, çalışma modellerini düzenleyin.

AT Uygunluk Beyanlatı

MAKİNE DİREKTİFİ



BCS601 Jig Saw

BLACK+DECKER, "Teknik veriler" altında tanımlanan bu ürünlerin aşağıdakilere uygun olduğunu beyan eder: 2006/42/EC, EN 60745-1:2009 + A11:2010, EN 60745-2-3: 2011+A2:2013+A11:2014+A12:2014

Bu ürünler ayrıca 2014/30/EU ve 2011/65/EU Direktifi ile uyumludur.

Daha fazla bilgi için, lütfen aşağıdaki adresten BLACK+DECKER ile iletişime geçin veya kılavuzun arkasına bakın.

Aşağıda imzası bulunan şahıs, teknik dosyanın derlenmesinden sorumludur ve BLACK+DECKER adına bu beyanlatı vermektedir.

R.Laverick

Mühendislik Müdürü
BLACK+DECKER Europe, 210 Bath Road,
Slough,
Berkshire, SL1 3YD
Birleşik Krallık
04,2017

Garanti

BLACK+DECKER, ürünün kalitesinden emindir ve bu yüzden kanunlarda belirtilen taleplerin üstünde bir garanti verir. Ayrıca bu garanti hiçbir şekilde garanti ile ilgili kanuni haklarınızı ihlal etmez ve haklarınızı hiç bir şekilde kısıtlamaz.

Eğer bir BLACK+DECKER ürünü, satın alma tarihinden itibaren 24 ay içinde hatalı malzeme, işçilik ya da uygunsuzluk nedeniyle bozulursa, müşteriye mümkün olabilecek en az sorunu yaşatarak BLACK+DECKER hatalı kısımları değiştirmeyi, adil bir şekilde aşınmış ve yıpranmış ürünleri tamir etmeyi veya değiştirmeyi garanti eder. Ancak bu belirtilenler şu durumlar dışında geçerlidir:

- Ürün ticari veya profesyonel amaçlarla kullanılmışsa veya kiraya verilmişse;
- Ürün yanlış veya amaç dışı kullanılmışsa;
- Ürün yabancı nesnelere, maddelere veya kaza sırasında zarar görmüşse;
- Yetkili tamir servisleri veya BLACK+DECKER servis ekibinden başkası tarafından tamir edilmeye çalışılmışsa.

Garanti talebinde bulunmak için, satıcıya veya yetkili tamir servisine satın aldığınıza dair ispat sunmalısınız. Fatura ve garanti kartı gerekmektedir. Bu kılavuzda belirtilen listeden size en yakın BLACK+DECKER yetkili tamir servisinin yerini öğrenebilirsiniz. Ya da, alternatif olarak internet'ten BLACK+DECKER yetkili tamir servislerinin listesini ve satış sonrası hizmetlerimizle ilgili tüm bilgiler ve temas bilgilerine aşağıdaki siteden ulaşabilirsiniz. www.2helpU.com

Sanayi ve Ticaret Bakanlığı tebliğince kullanım ömrü 7 yıldır.

STANLEY BLACK&DECKER TURKEY
ALET ÜRETİM SAN. TİC. LTD.ŞTİ.
Kozyatağı Mh Değirmen Sk.
Nida Kule No:18 Kat:6
34742 Kadıköy
İstanbul, TÜRKİYE
Tel: +90 216 665 2900
Fax: +90 216 665 2901

الضمان

تتق BLACK+DECKER بجودة منتجاتها وتقدم ضماناً مبراً. ويكون بيان الضمان هذا بالإضافة ولا يخل بأي حال من الأحوال بالحقوق القانونية.

إذا أصبح منتج BLACK+DECKER معيَّباً بسبب عيوب المواد والصناعة وعدم المطابقة، تضمن BLACK+DECKER في غضون 24 شهراً من تاريخ الشراء استبدال الأجزاء المعيبة وإصلاح المنتجات مع مراعاة البلي بالاستخدام العادي أو استبدال هذه المنتجات للتأكد من رضا العملاء ما لم:

- تم استخدام المنتج لأغراض تجارية أو مهنية أو للتأجير.
- إهمال أو إساءة استخدام المنتج.
- تعرض المنتج لتلف بسبب مواد أو أضرار غريبة أو الحوادث.
- محاولة إجراء عمليات الإصلاح من قبل الأشخاص الآخرين بخلاف وكلاء الإصلاح المصرح بهم أو فريق الخدمة التابع لـ BLACK+DECKER.

للمطالبة بالضمان، يجب تقديم إثبات الشراء للبائع أو وكيل البيع المعتمد، ويمكنك معرفة مكان أقرب وكيل إصلاح معتمد بمراجعة مكتب BLACK+DECKER المحلي في العنوان المنشأ إليه في الدليل. كما تتوفر قائمة بوكلاء الإصلاح المعتمدين لدى BLACK+DECKER وبيانات خدمات ما بعد البيع والاتصال على الموقع الإلكتروني: www.2helpU.com.

استكشاف الأعطال وإصلاحها

- 1 لا يزود GoPak جهازك أو شاحنك بالطاقة.
 - أ. سوف يومض مصباح LED الأقرب إلى زر حالة الشحن باللون الأحمر عند محاولة الأداء الوظيفي لـ USB.
 - ب. GoPak ساخنة أو باردة للغاية، اترك GoPak حتى تبرد أو تسخن.
2. لا تمد GoPak جهاز المتوافق بالطاقة.
 - أ. حاول شحن البطارية، في حالة فشل مصباح LED في العمل ارجع إلى رقم 1 في استكشاف الأعطال وإصلاحها.

الإصلاحات

بطارية 2 BLACK+DECKER GoPak في 1 ليست صالحة للاستخدام الطويل.

تحذير: لضمان سلامة المنتج واعتماده، فيجب أن تتم أعمال إصلاحه وصيانته وضبطه (بما في ذلك فحص الفرشاة واستبدالها) بواسطة مركز خدمة مصنع BLACK+DECKER أو مركز خدمة معتمد من BLACK+DECKER. استخدم دائماً قطع غيار مطابقة.



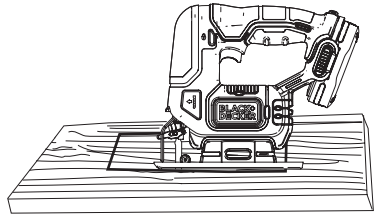
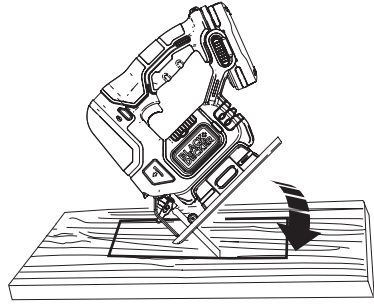
البيانات الفنية

BCS601	
فولت تيار مباشر	12
سرعة بدون خميل	0-2800 SPM
طول الشوط	16 ملم
أقصى عمق للقطع	
ملم خشب	52
ملم صلب	5
ملم ألومنيوم	17
كجم الوزن	(مع البطارية 1.44) 1.19

القطع التجويفي (الشكل L)

يعد القطع التجويفي طريقة سهلة لإجراء قطع داخلي. يمكن إدخال المنشار مباشرة في لوح أو طاولة من دون ثقب في البداية مسار أو ثقب توجيهه. في القطع التجويفي، فس السطح المراد قطعه وضع علامة بوضوح بقلم رصاص. ثم أمل المنشار إلى الأمام حتى يثبت الطرف الأمامي للقرصة بإحكام على سطح الشغل والشفرة جُناز العمل بواسطة حركتها الكاملة. قم بتنشغيل الأداة ودعها حتى تصل إلى السرعة القصوى. اقبض على المنشار بحزم وأمل الحافة الخلفية للأداة ببطء حتى تستقر القرصة باستواء فوق السطح. احتفظ بالقرصة مستوية على الخشب وأكمل القطع. لا تزل الشفرة من القطع وهي لا تزال تتحرك. يجب أن تتوقف الشفرة بالكامل.

الشكل L



حماية البيئة

جميع منفصل. يجب عدم إلقاء هذا المنتج مع الخلفات المنزلية.



إذا تبين لك في أحد الأيام بأنه يجب تبديل جهاز BLACK+DECKER الخاص بك أو لم تعد بحاجة لاستخدامه، لا تتخلص منه مع الخلفات المنزلية، وقم بتوفير هذا المنتج للتجميع المنفصل.

يمكن التجميع المنفصل للمنتجات والعبوات المستخدمة من إعادة تدوير المواد واستخدامها مرة أخرى. إذ يساعد إعادة استخدام المواد المعاد تدويرها على منع التلوث البيئي وخفض الطلب على المواد الخام.



قد تنص التشريعات المحلية على جميع منفصل للمنتجات الكهربائية عن الخلفات المنزلية في مواقع مخلفات البلدية أو تاجر التجزئة عند شراء منتج جديد.

توفر BLACK+DECKER منشأة لتجميع وإعادة تدوير منتجات BLACK+DECKER عند وصول تلك المنتجات لنهاية عمرها النافع، وللاستفادة من هذه الخدمة. يرجى إعادة المنتج إلى أي وكيل إصلاح معتمد الذي سيقوم بتجميع المنتجات نيابة عنا.

يمكنك معرفة مكان أقرب وكيل إصلاح معتمد بمراجعة مكتب BLACK+DECKER المحلي في العنوان المشار إليه في الدليل. كما تتوفر قائمة بوكلاء الإصلاح المعتمدين لدى BLACK+DECKER وبيانات خدمات ما بعد البيع والاتصال على الموقع الإلكتروني: www.2helpu.com.

التنظيف

تحذير: لا تستخدم مطلقًا المذيبات أو المواد الكيماوية القوية الأخرى لتنظيف الأجزاء غير المعدنية في الأداة، يمكن أن تتسبب تلك المواد الكيميائية في إضعاف المواد البلاستيكية المستخدمة في هذه الأجزاء. استخدم قطعة قماش رطبة مع ماء وصابون خفيف. لا تترك أي سوائل تنسرب إلى داخل الأداة أو مزود الطاقة، ولا تغمر أي جزء من أجزاء الأداة أو مزود الطاقة السائل.



ملاحظة: أزل الأداة وكابلي USB من GoPak قبل التنظيف.

استخدم فقط صابون خفيف وقطعة قماش مبللة لتنظيف الأداة أو مزود الطاقة، تحتوي الكثير من المنظفات المنزلية على كيميائيات يمكن أن تتسبب في ضررًا جسيمًا للبلاستيك. لا تستخدم أيضًا البنزين أو التربينين أو مخفضات الطلاء أو مزيل الدهانات أو سوائل التنظيف الجاف أو المنتجات المشابهة.

الصيانة

تحذير: لتقليل مخاطر الإصابة الشخصية البالغة، قم بإيقاف تشغيل الوحدة وأزل علب البطاريات قبل إجراء أي تعديلات أو إزالة/ تركيب الملحقات أو الكماليات، حيث إن بدء التشغيل العرضي قد يؤدي إلى حدوث إصابة.

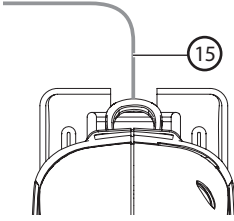


هام: لضمان سلامة المنتج واعتماديته، يجب أن تتم أعمال إصلاحه وصيانته وضبطه (بخلاف تلك المبينة في هذا الدليل) بواسطة مراكز الخدمة المعتمدة أو فنيي الخدمة المعتمدين. باستخدام الأجزاء البديلة المطابقة دائمًا.

كيف تستخدم خاصية **Sightline®** (الشكل K)

1. استخدم قلم رصاص لتحديد خط القطع.
2. ضع منشار المنحنيات على الخط (15).
3. بالنظر من فوق منشار المنحنيات مباشرة، يمكن متابعة خط القطع بسهولة.

الشكل K



تلميحات لاستخدام أمثل

عام

استخدم السرعة العالية للخشب والسرعة المتوسطة للألومنيوم ومادة PVC البلاستيكية والسرعة المنخفضة للمعادن فيما عدا الألومنيوم. كما تتطلب بعض المواد شفرات خاصة (تباع منفصلة).

صفائح النشر

بما أن الشفرة تقطع بحركة تصاعدية، فيمكن أن يحدث تشطي على السطح بالقرب من لوحة القرصة.

- استخدم شفرة منشار ناعمة الأسنان.
- انشر من السطح الخلفي لقطعة الشغل.
- للحد من التشقق، ثبت قطعة من مخلفات الخشب أو لوح مضغوط في كلا جانبي قطعة الشغل وانشر من خلال هذه الشطيرة.

نشر المعادن

- كن على علم بأن نشر المعدن يأخذ وقتًا أطول بكثير من نشر الخشب.
- استخدم شفرة منشار مناسبة لنشر المعادن.
- عند قطع معدن رقيق، ثبت قطعة من مخلفات الخشب على السطح الخلفي لقطعة الشغل واقطع من خلال هذه الشطيرة.
- افرش طبقة رقيقة من الزيت بطول خط القطع المستهدف.

الوضع اليدوي الصحيح (الشكل A)

تحذير: لتقليل مخاطر الإصابة الشخصية، استخدم دائمًا الوضع اليدوي المناسب كما هو موضح.

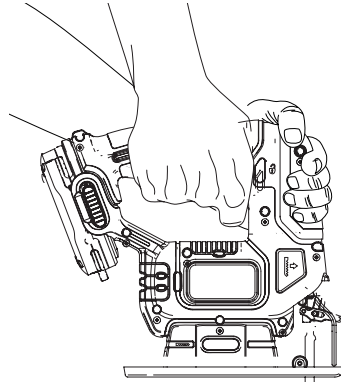


تحذير: لتقليل مخاطر الإصابة الشخصية، احرص دائمًا على الوقوف بأمان حسبًا لأي ارتداد مفاجيء.



يتطلب وضع اليد الصحيح أن تكون يد على المقبض الرئيسي واليد الأخرى على المقبض الثانوي.

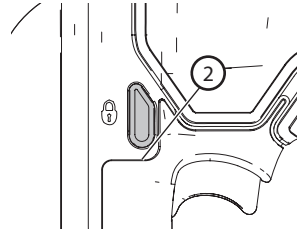
الشكل A



التشغيل والإيقاف (الشكل A.J)

هذه الأداة مزودة بزر إغلاق (2). يجب فصل الزر لتشغيل منشار المنحنيات. لفصل الزر، اضغط على الزر في جانب المقبض والذي يُظهر رمز فتح القفل.

الشكل J

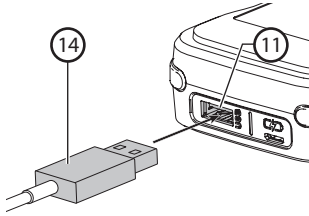


- لتشغيل الأداة، اضغط على مفتاح السرعة المتغيرة (1).
- تعتمد سرعة الأداة على مقدار الضغط المبذول على الزر.
- لإطفاء الأداة، حرر مفتاح السرعة المتغيرة.

استخدام البطارية GoPak 2 في 1 لشحن جهاز USB الخاص بك (الشكل H)

1. أدخل طرف USB A لكابل جهازك (11) في بطارية BLACK+DECKER GoPak 2 في آ (10) والطرف الآخر من الكابل في الجهاز المعتمد في قائمة UL أو CSA (الهاتف/ الحاسوب اللوحي/ MP3/ ملبوسات التقنية/ وحدة التحكم/ إلخ.). سوف يبدأ الشحن تلقائيًا.

الشكل H



الأداء الوظيفي

- 1 يمكن أن تمتد بطارية BLACK+DECKER GoPak 2 في 1 الطاقة إلى أجهزتك المتوافقة مع BLACK+DECKER GoPak MAX *12V أو تمتد بالطاقة/ تشحن أجهزتك المحمولة. صمم مبيت البطارية الدمج والرفع لإمكانية التنقل.

-- مدخل شحن GoPak: حتى 2.4 أمبير**

-- مخرج طاقة GoPak: حتى 2.4 أمبير***

** يعتمد معدل الإدخال الفعلي على محول الطاقة (غير مدرج).

*** يعتمد معدل الخرج الفعلي على الجهاز.

منفذ طاقة USB

- 1 تأتي بطارية BLACK+DECKER GoPak 2 في 1 مزودة بمنفذ طاقة USB من النوع A، وهي توصل تيارًا فعليًا يصل حتى 2.4 أمبير.

ملاحظة: يعتمد التيار الموصل للجهاز على جهاز المستخدم والكابل المختار من قبل المستخدم.

تحذير: تأكد من أن غطاء الأطراف مركب بإحكام في بطارية BLACK+DECKER GoPak 2 في 1 عند استخدامها لامتداد الطاقة/ شحن جهازك.



- ركب غطاء الأطراف على أطراف الأداة.
- سوف يبدأ الجهاز الذي يُشحن من منفذ USB بالعمل تلقائيًا عند توصيل الجهاز.
- أوقف تشغيل وافصل جهاز USB.

تركيب وإزالة بطارية GoPak 2 في 1 من الأداة الكهربائية (الشكل G)

تحذير: أزل من بطارية BLACK+DECKER GoPak 2 في 1 أية أسلاك USB موصلة قبل توصيل GoPak بالأداة المتوافقة.

1. أزل غطاء طرف الأداة في حالة تركيبه في بطارية BLACK+DECKER GoPak 2 في 1.

2. لإمداد الطاقة إلى جهاز كهربائي متوافق مع GoPak 12V MAX*، حاذي أطراف الأداة في أسفل الأداة مع فتحات أطراف البطارية (6) كما هو موضح في الشكل G.

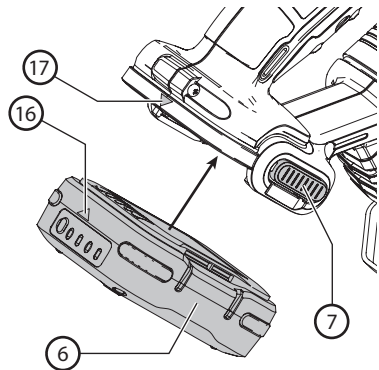
ملاحظة: سوف يواجه مؤشر حالة الشحن مؤخره الأداة وسوف تواجه منافذ USB الواجهة، سوف يحاذي السهم في البطارية السهم في الأداة كما هو موضح في الشكل G

3. اطبق بطارية BLACK+DECKER GoPak 2 في 1 في أسفل الأداة. سوف يحاذي السهم (16) في البطارية السهم (17) في الأداة. تأكد أن البطارية ثابتة ومحكمة تمامًا في مكانها قبل الاستخدام.

4. لإزالة بطارية BLACK+DECKER GoPak 2 في 1 من الأداة، اضغط على زري تحرير البطارية (7) والموجودان في الأداة واسحب بطارية BLACK+DECKER GoPak 2 في 1 من الأداة.

ملاحظة: سوف تُعطل منافذ USB الخاصة ببطارية BLACK+DECKER GoPak 2 في 1 عند سحب الزناد.

الشكل G.



يؤدي إلى حدوث إصابة.

تحذير: خطر التمزق. قبل تجربة أي من العمليات التالية، تأكد من أن الأداة متوقفة والبطارية قد أزيلت، وأن شفرة المنشار متوقفة، ربما تكون شفرات المنشار المستعملة ساخنة.



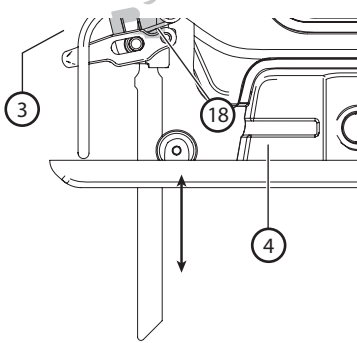
تحذير: أزل البطارية عند إزالة أو تركيب الشفرة



تثبيت شفرة المنشار (الشكل A.F)

1. امسك شفرة المنشار (5) كما هو موضح. على أن تكون أسنانها موجهة نحو الأمام.
2. ادفع ذراع الفقل (3) بعيداً عن القرصة (4).
3. مع توجيه الأسنان نحو الأمام، أدخل جذع شفرة المنشار في حامل الشفرة (18) بقدر ما سوف يدخل.
4. حرر الذراع.
5. اسحب الشفرة للتأكد من أن الشفرة مؤمنة بالكامل.

الشكل F



التشغيل

تحذير: لتقليل مخاطر الإصابة الشخصية البالغة، قم بإيقاف تشغيل الوحدة وأزل علبة البطاريات قبل إجراء أي تعديلات أو إزالة/ تركيب الملحقات أو الكماليات، حيث إن بدء التشغيل العرضي قد يؤدي إلى حدوث إصابة.



تحذير: للحد من خطر الإصابة، لا تستعمل الأداة أبداً وقرصة المنشار غير محكمة أو مزالة



• اضغط على زر حالة الشحن في أي وقت لإظهار المستوى المتبقي من الشحن.

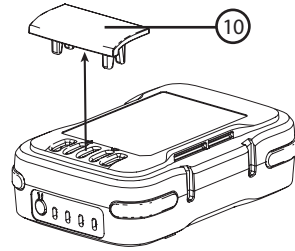
ملاحظة: يُعد مؤشر حالة الشحن فقط إشارة على الشحن المتبقي في البطارية، ولا يشير إلى وظيفة الأداة وهو عرضة للتغيير استناداً إلى مكونات المنتج والحرارة واستعمال المستخدم النهائي.

ملاحظة: يجب استخدام غطاء Gopak لأطراف البطارية عند عدم اتصال البطارية بأداة كهربائية. يتوفر غطاء البطارية للاستخدام عندما تكون البطارية خارج الأداة. أزل الغطاء عند وضع البطارية في الأداة.

غطاء طرف الأداة Gopak

يتوفر غطاء تخزين وحمل البطارية (10) للاستخدام عندما تكون البطارية خارج الأداة. أزل الغطاء كما هو موضح في الشكل E قبل وضع البطارية في الأداة.

الشكل E



المكونات (الشكل A)

تحذير: يحظر تعديل الأداة الكهربائية أو أي جزء منها. فقد تتعرض الأداة للتلف أو تنسحب في وقوع إصابة جسيمة.



ارجع إلى الشكل A في بداية هذا الدليل للحصول على قائمة كاملة للمكونات.

لا تستخدم الأداة في ظروف رطبة أو مع وجود سوائل أو غازات قابلة للاشتعال.

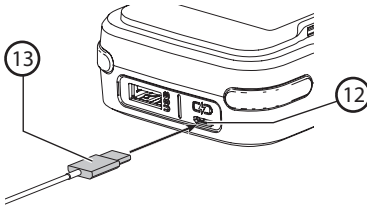
لا تسمح للأطفال بلامسة هذه الأداة. تتطلب الرقابة عند استخدام مشغليين ليس ذوي خبرة لهذه الأداة.

التجميع والضبط

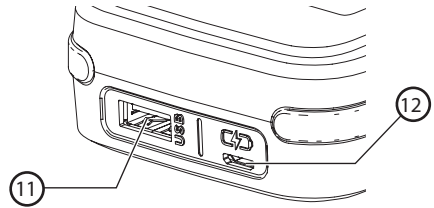
تحذير: لتقليل مخاطر الإصابة الشخصية البالغة، قم بإيقاف تشغيل الوحدة وأزل علبة البطاريات قبل إجراء أي تعديلات أو إزالة/ تركيب الملحقات أو الكماليات، حيث إن بدء التشغيل العرضي قد



الشكل C



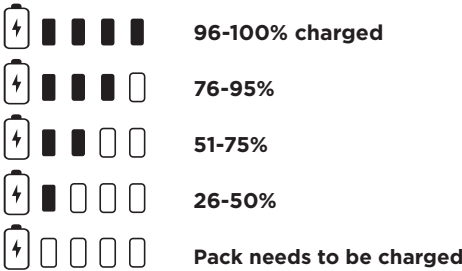
الشكل B



حالة مؤشر الشحن (الشكل D)

إن بطارية BLACK+DECKER GoPak 2 في 1 مجهزة بزر حالة الشحن (9) بأربعة مصابيح LED.

وتُعتبر حالة الشحن مؤشرًا للمستويات التقريبية للشحن المتبقية في البطارية وفقًا للمؤشرات التالية:

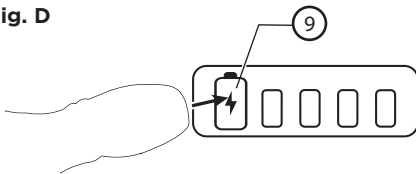


لتفعيل حالة الشحن، اضغط على زر مؤشر حالة الشحن. سوف تضيء الأربعة مصابيح LED بالتوافق لتحديد مستوى الشحن المتبقي. عندما يكون مستوى شحن البطارية أقل من الحد الصالح للاستخدام، فلن تضيء مصابيح حالة الشحن أو لن يومض مصباح LED السفلي.

ملاحظة: سوف يظهر ضوء LED الخاص بحالة الشحن بمجرد الضغط على زر حالة الشحن.

الشكل D

Fig. D



شحن بطارية BLACK+DECKER GoPak 2 في 1 (الشكل C.D)

تحذير: لا تحاول مطلقًا شحن بطارية BLACK+DECKER GoPak 2 في 1 باستخدام أطراف الأداة في GoPak.



تحذير: يجب عليك شحن بطارية BLACK+DECKER GoPak 2 في 1 فقط باستخدام منافذ USB المعتمدة من UL أو CSA والمصنفة لشحن الأجهزة عالية الأداء.



ربما تظهر رسالة خطأ في جهاز حاسوب في حالة اعتياد استخدام الحاسوب لشحن GoPak.

- أدخل كابل USB الدقيق (مدرج) (13) في مزود الطاقة USB (غير مدرج).
- أدخل قابس USB الدقيق الخاص بسلك شاحنك في منفذ USB الدقيق (12) GoPak.)
- سوف تضيء مصابيح الشحن LED. في حالة شحن بطارية GoPak، تشير مصابيح LED المضيئة إلى حالة شحن غلبة البطارية، يشير وميض LED إلى المستوى التالي من الشحن الجار، تُعطل حالة زر الشحن (9) أثناء الشحن فقط.
- يشير انطفاء مصابيح LED الأربعة إلى انتهاء الشحن. عند الضغط على زر مؤشر حالة الشحن (9) سوف تنير مصابيح LED الأربعة، البطارية مشحونة بالكامل ويمكن استخدامها في الوقت الراهن أو تركها في الشاحن.
- أعد شحن البطاريات الفارغة في أقرب وقت ممكن بعد الاستخدام وإلا يمكن أن يتضاءل عمر البطارية إلى حد كبير. لإطالة عمر البطارية، لا تفرغ البطاريات بشكل كامل. يُنصح بإعادة شحن البطاريات بعد كل استخدام.

متطلبات هيئة الاتصالات الفيدرالية FCC لكل الأجهزة الرقمية

يتوافق هذا الجهاز مع الجزء 15 من قوانين هيئة الاتصالات الفيدرالية FCC ومعميار (معايير) الصناعة RSS المعفي من الترخيص في كندا. تخضع العملية للسببين التاليين:

1. ربما لا يسبب هذا الجهاز تدخلًا ضارًا.
 2. ويجب أن يقبل هذا الجهاز أي تدخلًا بما في ذلك التدخل الذي قد يؤدي إلى عمليات غير مرضية.
- إجراء التغييرات أو التعديلات الغير معتمدة صراحة من قبل الجزء النطوب بالتوافق ربما يلغي سلطة المستخدم لتشغيل الجهاز.

تم اختبار هذا الجهاز ووجد أنه يتوافق مع حدود الجهاز الرقمي من الفئة B. بموجب الجزء 15 من قوانين هيئة الاتصالات الفيدرالية FCC. صُممت هذه الحدود لتوفير حماية معقولة ضد التشويش الضار في المنشآت السكنية. يوئد هذا الجهاز ويستخدم وربما يصدر طاقة تردد لاسلكي، وإذا لم تُركب وفقًا للتعليمات، ربما يحدث تشويشًا ضارًا في الاتصالات اللاسلكية، ومع ذلك، لا يوجد ضمان لعدم حدوث هذا التشويش في منشأة معينة. إذا سبب هذا الجهاز تشويشًا ضارًا على استقبال الراديو أو التلفاز، والذي يمكن تحديده عبر تشغيل وإيقاف الجهاز فيستحسن أن يحاول المستخدم تصحيح التشويش عن طريق إحدى الإجراءات التالية:

- تغيير وجهة أو مكان هوائي الاستقبال.
- زيادة المسافة بين الجهاز وجهاز الاستقبال.
- توصيل الجهاز بمخرج تيار به دائرة كهربائية مختلفة عن الدائرة التي يوصل بها جهاز الاستقبال.
- استشر البائع أو فني راديو/تلفاز ذو خبرة للمساعدة.

(CAN ICES-3(B)/NMB-3(B)

البدء

- يُستخدم منفذ (12 Micro USB) في بطارية BLACK+DECKER GoPak 2 في 1 فقط لشحن GoPak.
- يُستخدم منفذ (11 USB A) في بطارية BLACK+DECKER GoPak 2 في 1 فقط لإمداد الطاقة للأجهزة التي بها USB (الهاتف/ الحاسوب اللوحي/MP3/مليوسوات التقنية/ وحدة التحكم/ إلخ).

ملاحظات مهمة للشحن

1. يمكن الحصول على أطول عمر وأفضل أداء إذا تم شحن علبه البطارية عندما تتراوح درجة حرارة الجو بين 65° - 75° فهرنهايت (18° - 24° م). لا تشحن البطارية في درجة حرارة أقل من 40° فهرنهايت (4.5° م)، أو أعلى من 104° فهرنهايت (40° م). وهذا أمر مهم، وسوف يمنع إلحاق أضرار جسيمة بعلبة البطارية.
2. إذا لم تُشحن علبه البطارية بشكل صحيح:
 - a. تحقق من عمل المقبس عبر توصيله بمصباح أو بجهاز آخر؛
 - b. تحقق لترى إذا كان المقبس متصلًا بمفتاح إضاءة والذي يوقف تشغيل التيار عندما تطفئ الأنوار؛
 - c. انقل محول الطاقة وعلبة البطارية إلى مكان تتراوح فيه درجة الحرارة فيه تقريبًا إلى 65° فهرنهايت - 75° فهرنهايت (18° - 24° م)؛
 - d. إذا استمرت مشاكل الشحن. توجه بالأداة وعلبة البطارية وكابل USB إلى مركز الخدمة المحلي لديك.
3. يجب إعادة شحن البطارية عندما تخفق في إنتاج طاقة كافية في أعمال كانت تقوم بها بسهولة قبل ذلك، لا تستمر باستخدامها في تلك الحالات. اتبع إجراءات الشحن. ربما تقوم أيضًا بشحن علبه بطارية مستخدمة جزئيًا عندما لا ترغب في أي تأثير سلبي على علبه البطارية.

النقل

تحذير: خطر الحريق. لا تُخزن أو تنقل علبه البطارية حيث يمكن أن تتلامس الأشياء المعدنية مع أطراف البطارية المكشوفة، على سبيل المثال، لا تضع علبه البطارية في المنزر، الجيوب، صناديق العدد، صناديق عدة المنتج، الأدرج، إلخ. بجانب مسامير، براغي، مفاتيح محلولة، إلخ. حيث يمكن أن يتسبب نقل البطاريات في نشوب حرائق إذا حدث اتصال بدون قصد بين أطراف البطارية ومواد موصلة مثل المفاتيح والعملات والعدد اليدوية وما شابهها. تمنع حاليًا لوائح المواد الخطرة (HMR) لوزارة النقل الأمريكية نقل البطاريات في طائرات الركاب أو التجارية في حقائب السفر مالم يتم حمايتها كما ينبغي من دائرة القصر. ولهذا عندما تنقل علب بطاريات مفردة، تأكد أن أطراف البطارية محمية ومعزولة جيدًا من المواد التي يمكن أن تلامسها وتسبب دائرة القصر.

تنبيه: يجب استخدام غطاء GoPak لأطراف البطارية عند عدم اتصال البطارية بأداة كهربائية. تتوفر غطاء البطارية للاستخدام عندما تكون البطارية خارج الأداة. أزل الغطاء عند وضع البطارية في الأداة.



البطاريات

تحذير: خطورة الاحتراق. ربما يشتعل سائل البطارية إذا تعرض لشعارة أو لهب.



تحذير: خطر الحريق. لا تحاول مطلقاً فتح علبة البطارية لأي سبب، إذا سُرخ غلاف علبة البطارية أو تلف. فلا تحاول استخدامها أو شحنها. لا تسحق أو تُسقط أو تُتلف علبة البطارية. لا تستخدم علبة بطارية أو شاحن تعرضا لضربة قوية أو سقطا أو دُهسا أو أُلُفبا بأي طريقة (على سبيل المثال، ثَقبا بمسمار، ضَرْبا بمطرقة، تم الضغط عليهما). يجب أن تعاد علب البطاريات التالفة إلى مركز الخدمة لإعادة تدويرها

توصيات التخزين

1. إن أفضل مكان للتخزين هو مكان بارد وجاف بعيداً عن أشعة الشمس المباشرة والحرارة أو البرد المفرطين.
2. بغرض التخزين الطويل، يُنصح بتخزين علبة البطارية مشحونة بالكامل في مكان بارد وجاف خارج الشاحن من أجل نتائج مثلى.

ملاحظة: لا ينبغي تخزين علب البطاريات وهي خالية من الشحن تماماً. سوف تحتاج علبة البطارية إلى إعادة الشحن قبل الاستخدام.

ختم RBRC®



يشير ختم RBRC® (شركة إعادة تدوير البطارية القابلة للشحن) الموجود على بطارية نيكول-كادميوم أو بطارية نيكول-هيدريد فلز أو بطارية الليثيوم أيون (أو علبة البطارية) أن تكاليف إعادة تصنيع البطارية (أو علبة البطارية) عند نهاية عمر الاستخدام قد تم دفعها من قبل BLACK+DECKER. في بعض المناطق، يُعتبر غير قانوني وضع بطاريات بطارية نيكول-كادميوم أو نيكول-هيدريد فلز أو الليثيوم أيون المُستنفدة في القمامة أو في نفايات البلدية الصلبة ويوفر برنامج Call 2 Recycle® بديلاً براعي البيئة.

وقد أنشأت شركة Call 2 Recycle بالتعاون مع BLACK+DECKER وبعض مستخدمي البطاريات الآخرين، برنامجاً في الولايات المتحدة وكندا لتسهيل تجميع بطاريات نيكول-كادميوم أو نيكول-هيدريد فلز أو الليثيوم أيون المُستنفدة. وهذا يساعد في حماية بيئتنا والحفاظ على الموارد الطبيعية بواسطة إعادة بطاريات نيكول-كادميوم أو نيكول-هيدريد فلز أو الليثيوم أيون المُستنفدة إلى مركز خدمة BLACK+DECKER المعتمد أو إلى تاجر التجزئة لديك لإعادة التدوير. يمكنك أيضاً الاتصال بمركز إعادة التدوير المحلي لديك للحصول على معلومات حول أماكن التخلص من البطارية المُستنفدة. وتُعد RBRC® علامة تجارية مسجلة لشركة Call 2 Recycle.

لا تكون البطارية مشحونة تماماً عند إخراجها من عبوتها. قبل استخدام علبة البطارية، اقرأ تعليمات السلامة الآتية ثم اتبع إجراءات الشحن المنبئية، عند طلب استبدال علب البطاريات، تأكد من أنها تحوي رقم الكاتالوج والجهد.

اقرأ كل التعليمات

تعليمات سلامة مهمة لكل علب البطاريات

تحذير: اقرأ كل تحذيرات الأمان وكل التعليمات الخاصة بعلب البطاريات والأداة الكهربائية. أي قصور في اتباع التحذيرات وتعليمات السلامة الواضحة أدناه يمكن أن تتسبب في صدمة كهربائية أو حرق و/أو إصابات بالغة.



- لا نشحن أو نستخدم علبة البطارية في أجواء قابلة للانفجار، مثل وجود سوائل أو غازات أو غبار قابلة للاشتعال. ربما يتسبب إدخال أو إزالة كابل الشحن من علبة البطارية في إشعال للغبار أو للاذخنة.
- لا نرغم علبة البطارية بالدخول في مدخل الكابل أو مدخل الأداة.
- لا نعدّل علبة البطارية بأية حالة حيث يمكن أن تنفجر علبة البطارية مسببة إصابات شخصية بالغة.
- لا نرشها أو نغمرها في الماء أو أية سوائل أخرى.
- لا نخزن أو نستخدم الأداة وعلبة البطارية في أماكن يمكن أن تصل فيها الحرارة أو تتعدى 104° فهرنهايت (40° م) (مثل خارج السقيفة أو المباني المعدنية في الصيف). خزن علب البطاريات في مكان بارد وجاف من أجل ضمان أفضل عمر للبطارية.

ملاحظة: لا تخزن علب البطاريات في الأدوات بينما يوجد مفتاح الزناد على وضع التشغيل. لا تثبت أبداً مفتاح التشغيل في وضع التشغيل.

- لا خرق البطارية حتى ولو كانت تالفة تماماً أو مُستهلكة بالكامل. يمكن أن تنفجر علبة البطارية في النار، تتبعث اذخنة ومواد سامة عند حرق علب بطاريات الليثيوم أيون.
- إذا لامست محتويات البطارية الجلد، قم بغسله فوراً بماء وصابون خفيف. إذا دخل سائل البطارية في العين، اشطف العين وهي مفتوحة بالماء لمدة 15 دقيقة أو حتى توقف التهيج. إذا تطلب الأمر رعاية طبية، فإن سائل البطارية يتكون من مزيج من كربونات عضوية سائلة وأملاح الليثيوم.
- ربما تسبب محتويات خلايا البطارية المفتوحة ضيق في الجهاز التنفسي، وفر هواءً نقياً. إذا استمرت الأعراض، اطلب رعاية طبية.

التواصل للأداة، يمكن أن تتسبب الضوضاء الناتجة عن المنتج في فقدان قدرة السمع.

تنبيه: عند عدم الاستخدام، ضع الأداة على جانبها على سطح ثابت حيث لا تتسبب في خطر التعثر أو السقوط. بعض الأدوات ذات علب البطاريات الكبيرة يمكن أن تقف بشكل مستقيم على علب البطارية ولكنها معرضة للسقوط بسهولة.



- تغطي فتحات الهواء عادة أجزاءً متحركة ويجب تجنبها. فقد تعلق الملابس الفضفاضة أو المجوهرات أو الشعر الطويل في الأجزاء المتحركة، إذا وجب استخدام سلك إطالة بصفة ضرورية في الخارج، فاستخدم سلك إطالة مناسبًا للاستخدام الخارجي.

يمكن أن تشمل الملصقة الموجودة على الأداة على الرموز الآتية. الرموز وتعاريفها هي كما يلي:

الملصقات الموجودة على الجهاز

يحتوي الجهاز على الصور التوضيحية التالية:

تحذير! لتقليل مخاطر الإصابة، يتعين على المستخدم قراءة دليل التعليمات.



الشاحن مخصص للاستخدام الداخلي فقط.



اقرأ هذا الدليل بالكامل جيدًا قبل استخدام الجهاز.



مكان الرمز الشريطي الخاص بالتاريخ

يوجد كود التاريخ، والذي يحتوي على سنة الصنع، مطبوعًا على العلب. مثال:

XX JN 2017

سنة الصنع

السلامة الكهربائية

الشاحن معزول عزلاً مزدوجاً، لذلك ليست هناك حاجة إلى التأريض. يُرجى التحقق من توافق جهد التيار الكهربائي مع الجهد الموضح على لوحة التقنين. لا تحاول أبداً استبدال وحدة الشاحن بوحدة تناسب مقبس التيار الكهربائي العادي.



- عند تلف السلك الكهربائي، يجب استبداله بواسطة أحد مراكز الخدمة المعتمدة التابعة لشركة BLACK+DECKER. لتفادي التعرض للمخاطر.

احتفظ بهذه التعليمات

تعليمات الأمان الإضافية

تحذير: ارتد نظارة أمان دائماً. النظارات العادية المخصصة للاستخدام اليومي ليست نظارات أمان. استخدم كذلك قناع وجه أو قناع غبار إذا كانت عملية القطع تثير غباراً. ارتد دائماً معدات سلامة معتمدة:

- ANSI Z87.1 واقى العينين (CAN/CSA Z94.3).
- (ANSI S12.6 (S3.19) واقى الأذن.
- NIOSH/OSHA/MSHA واقى التنفس.

تحذير: بعض الأتربة الناتجة عن أعمال الصنفرة الكهربائية والنشر والجلخ والتقطب والأنشطة الإنشائية الأخرى تحتوي على مواد كيميائية معروفة لولائية كاليفورنيا أنها تتسبب في السرطان أو في تشوه الأجنة أو في أضرار إنجابية أخرى. من بين أمثلة هذه المواد الكيميائية:



- الرصاص الناتج عن الطلاءات القائمة على الرصاص.
- غبار السيليكا البلورية الناتج عن الطوب والإسمنت ومنتجات البناء الأخرى.
- والزرنبيخ والكروم الناتج عن الألواح الخشبية المعالجة كيميائياً.

يختلف الخطر الذي تتعرض له من التعرض لهذه المواد على حسب مدى تكرار قيامك بهذا النوع من الأعمال. لتقليل تعرضك لهذه المواد الكيميائية: يجب إجراء الأعمال في منطقة جيدة التهوية. والعمل باستخدام تجهيزات الحماية المعتمدة، مثل الكمامات الواقية من الغبار للصممة خصيصاً لترشيح الجزيئات الدقيقة.



- جنب الاتصال المطول مع الغبار الناتج عن أعمال الجلخ والنشر والصنفرة والتقطب والأنشطة الإنشائية الأخرى. احرص على ارتداء ملابس واقية واغسل المناطق الملوثة بالصابون والماء. يمكن أن يتسبب دخول الغبار في فمك أو عينيك أو تراكمه على الجلد في امتصاص المواد الكيميائية الضارة.

تحذير: يمكن أن يولد /أو يثير استخدام تلك الأداة الغبار، والذي يمكن أن يسبب إصابات بالغة ودائمة للجهاز التنفسي وإصابات أخرى. استخدم دائماً واقى تنفس معترف به من NIOSH/OSHA ومناسباً للتعرض للغبار، وجه الجزيئات بعيداً عن الوجه والجسم.



تحذير: ارتد دائماً واقى أذن شخصي مناسب أثناء الاستخدام والذي يتوافق مع ANSI S12.6 (S3.19). في بعض الظروف ومع الاستخدام



- a.** لا تستخدم الأداة الكهربائية في غير ما هي مخصصة له. استخدم الأداة الكهربائية المناسبة لاستعمالك. حيث ستقوم الأداة الكهربائية المناسبة بأداء العمل بشكل أفضل وأكثر أماناً وفقاً للمعدل التي صممت لأجله.
- b.** لا تستخدم الأداة الكهربائية إذا لم يتم الفتح بالتشغيل والإيقاف. فأي أداة كهربائية لا يمكن التحكم فيها باستخدام مفتاح التشغيل تكون خطيرة ويجب إصلاحها.
- c.** افصل القابس عن مصدر الكهرباء و/أو علب البطارية من الأداة الكهربائية قبل إجراء أية تعديلات، أو تغيير أية ملحقات، أو تخزين الأدوات الكهربائية، تعمل إجراءات السلامة الوقائية هذه على الحد من خطر بدء تشغيل الأداة الكهربائية بدون قصد.
- d.** خذ الأدوات الكهربائية غير المستخدمة بعيداً عن متناول الأطفال. ولا تسمح للأشخاص غير المدربين على استخدام الأداة الكهربائية أو الذين لا يعلمون هذه التعليمات بتشغيلها. حيث تنطوي الأدوات الكهربائية على خطر كبير إذا وضعت في أيدي أشخاص غير مدربين.
- e.** احرص على صيانة الأدوات الكهربائية. تحقق من عدم وجود أي محاذاة خاطئة أو عائق في الأجزاء المتحركة، أو كسر في الأجزاء، وأية حالة أخرى يمكن أن تؤثر على تشغيل الأدوات الكهربائية. فإذا كانت الأداة الكهربائية تالفة، يجب إصلاحها قبل الاستعمال. تقع عديد من الحوادث جراء عدم صيانة الأدوات الكهربائية بشكل جيد.
- f.** احرص على أن تظل أدوات القطع حادة ونظيفة. تساعد الصيانة المناسبة لأدوات القطع ذات الحواف الفاطعة الحادة على جعلها أقل عرضة للالتصاق وأكثر سهولة في التحكم بها.
- g.** استخدم الأداة الكهربائية والملحقات ولقم الأداة وما إلى ذلك بما يتوافق مع هذه التعليمات. مع الوضع في الاعتبار ظروف العمل والعمل المراد تنفيذه. حيث إن استخدام الأداة الكهربائية في تنفيذ مهام غير مخصصة لها يمكن أن يتسبب في التعرض لمواقف خطيرة.
- 5.** استخدام أداة البطارية والعناية بها
- أعد الشحن فقط باستخدام الشاحن المجدد من قبل المصنع. يمكن أن يتسبب الشاحن المناسب لنوع واحد من علب البطاريات في نشوب خطر الحريق عند الاستخدام مع علب بطارية أخرى.
 - استخدم الأدوات الكهربائية مع علب البطاريات المخصصة تحديداً لها فقط. استخدام أية علب بطاريات أخرى يمكن أن يتسبب في خطر الإصابة أو وقوع حريق.
- عند عدم استخدام علب البطارية، احتفظ بها بعيداً عن المواد المعدنية الأخرى، مثل مشابك الأوراق والعمليات المعدنية والمفاتيح والمسامير أو الأشياء المعدنية الصغيرة الأخرى، التي يمكن أن تنشئ إتصالاً من طرف إلى آخر، يمكن أن يتسبب تقصير دائرة أطراف البطارية معاً في وقوع حريق أو نشوب نار.
- في ظل الظروف القاسية، يمكن أن يتسرب السائل من البطارية؛ فتجنب ملامسته، إذا حدث التلامس بشكل غير مقصود. اشطف مكان التلامس بالماء، إذا ما تلامس السائل مع العينين فاطلب علاوة على هذا المساعدة الطبية، يمكن أن يتسبب السائل المتسرب من البطارية في حالات تهيج أو حروق.
- 6.** الخدمة
- a.** احرص على الإستعانة بفني متخصص لإصلاح الأداة الكهربائية باستخدام قطع الغيار المتطابقة فقط. وذلك بضمن المحافظة على سلامة الأداة الكهربائية.
- تحذيرات الأمان المتعلقة بمنشأ المنحنيات**
- احرص على حمل الأداة الكهربائية باستخدام أسطح الإمساك المعزول عند القيام بالتشغيل في الأماكن التي يمكن أن ينشأ فيه تلامس بين كماليات التقطيع وبين الأسلاك المتحفية. يمكن أن تؤدي عدة التقطيع عند الاتصال بسلك "حي" إلى جعل الأجزاء المعدنية المكشوفة للأداة "طرف حي" ما يمكن أن يعرض المشغل لصدمة كهربائية.
 - استخدم المشابك أو أي طريقة عملية أخرى لتأمين وتدعيم أداة العمل على منصة ثابتة، إن حمل قطعة الشغل يدوياً في مقابل جسمك يجعلها غير مستقرة ويمكن أن يؤدي إلى فقدان التحكم بها.
 - أبق يدك بعيدتين عن منطقة القطع. لا تمد يدك أسفل المادة التي تقوم بقطعها لأي سبب. وأمسك مقدمة المنشار عن طريق مسك المنطقة القابضة الكميعة الحواف، لا تدخل الأصابع أو الإبهام في محيط الشفرة الترددية وقامطة الشفرة. لا تثبت المنشار من خلال الإمساك بالفرصة.
 - حافظ على الشفرات حادة، قد تتسبب الشفرات غير الحادة في انحراف المنشار أو توقفه عن العمل تحت الضغط.
 - توخ مزيداً من الحذر عند القطع فوق مستوى رأسك وضع نصب عينيك الأسلاك الأعلى منك والتي ربما أن تكون مختلفة عن الأنظار. توقع مسار الشظايا والمخلفات الساقطة في وقتها.
 - عند قطع الأنابيب أو المواسير تأكد من أنها خالية من المياه والأسلاك الكهربائية، إلخ.

الغرض من الاستخدام

صُمم منشرا المنحنيات BLACK+DECKER™ BCS601 لنشر الخشب والبلاستيك والصفائح المعدنية. هذا الجهاز معد لاستخدام المستهلكين فقط.

تحذيرات عامة متعلقة بسلامة الأداة الكهربائية



تحذير! اقرأ كل تحذيرات الأمان وكل التعليمات، أي قصور في اتباع التحذيرات والتعليمات المبينة بالأسفل يمكن أن يؤدي إلى حدوث صدمة كهربائية و/أو نشوب حريق و/أو إصابات بالغة.

احتفظ بكل التحذيرات والتعليمات كمرجع مستقبلي

يشير مصطلح "الأداة الكهربائية" الوارد في كل التحذيرات المدرجة أدناه إلى الأداة الكهربائية المشغلة عن طريق التيار الكهربائي (بكابل) أو بطارية (بدون كابل).

1. سلامة منطقة العمل

a. حافظ على نظافة وإضاءة منطقة العمل جيداً. فالمنطقة غير المرتبة أو المظلمة تتسبب في وقوع حوادث.

b. لا تشغل الأدوات الكهربائية في أجواء قابلة للانفجار. مثل وجود غبار أو غازات أو سوائل قابلة للاشتعال. تطلق الأدوات الكهربائية شرراً يمكن أن يشعل الغبار أو الأذخنة.

c. احرص على إبعاد الأطفال والمتواجدين في منطقة العمل عند تشغيل الأداة الكهربائية. فمن الممكن أن تجعلك المنتهات تفقد القدرة على التحكم.

2. السلامة من مخاطر الكهرباء

a. يلزم توافق قوايس الأداة الكهربائية مع مخرج التيار. يحظر تعديل القابيس بأي طريقة. كذلك لا تستخدم أي قوايس مهايئة مع الأدوات الكهربائية المتصلة بالأرض (المؤرضة). حيث إن عدم تعديل القابيس واستخدام مخارج تيار مناسبة يحد من مخاطر الصدمات الكهربائية.

b. تجنب ملامسة جسم الأداة مع أسطح مؤرضة أو أرضية. مثل المواسير والمدافئ والأفران والمبردات. يزداد خطر التعرض لصدمة كهربائية إذا كان جسمك موصولاً بالأرض أو في وضع تأريض.

c. لا تعرض الأدوات الكهربائية للمطر أو لظروف رطبة. سوف يؤدي تسرب الماء إلى داخل الأداة الكهربائية إلى زيادة مخاطر التعرض للصدمة الكهربائية.

d. لا تتعامل مع السلك بطريقة خاطئة. لا تستخدم السلك مطلقاً في حمل الأداة الكهربائية أو سحبها أو فصلها من المقبس. أبقِ السلك بعيداً عن الحرارة أو الرزيت أو الحواف الحادة أو الأجزاء المتحركة. تزيد الأسلاك التالفة أو المتشابكة من مخاطر التعرض للصدمة الكهربائية.

e. عند تشغيل الأداة الكهربائية في الخارج. استخدم سلك إطالة مناسباً للاستخدام الخارجي. حيث إن استخدام سلك مناسب لأغراض الاستخدام الخارجي يقلل من مخاطر التعرض للصدمة الكهربائية.

f. إذا لم يكن هناك مفر من تشغيل الأداة الكهربائية في منطقة رطبة. فاستخدم شبكة تغذية محمية بمقاطع الدائرة المتبقية (RCD). وذلك لأن استخدام قاطع الدائرة المتبقية يحد من مخاطر التعرض للصدمة الكهربائية.

3. السلامة الشخصية

a. كن متيقظاً وراقب ما تفعل واستخدم حسك العام عند تشغيل الأداة الكهربائية. لا تستخدم الأداة الكهربائية عندما تكون مجهداً أو تحت تأثير المخدرات أو الكحوليات أو الأدوية. يمكن أن يؤدي عدم الانتباه للحظة أثناء تشغيل الأداة الكهربائية إلى وقوع إصابات جسدية بالغة.

b. استخدم معدات الحماية الشخصية. احرص دائماً على ارتداء واقي العينين. سوف تساعد معدات الحماية -مثل قناع الغبار أو أحذية السلامة المقاومة للانزلاق أو الخونة الصلبة أو واقي الأذن- المستخدمة في ظروف مناسبة على الحد من التعرض للإصابات الجسدية.

c. تجنب تشغيل الآلة بدون قصد. تحقق من أن المفتاح في وضع إيقاف قبل التوصيل بمصدر الكهرباء و/أو لعبة البطارية أو قبل التناط أو حمل الأداة. إن حمل الأدوات الكهربائية وإصبعك على مفتاح التشغيل أو توصيل الأدوات الكهربائية بالتيار ومفتاح التشغيل الخاص بها في وضع العمل قد يتسبب في وقوع حوادث.

d. تخلص من أي مفاتيح ضبط أو ربط قبل تشغيل الأداة الكهربائية. يمكن أن يتسبب أي مفتاح أو مفتاح ربط ترك متصلاً بالجزء الدوار في الأداة الكهربائية في وقوع إصابات جسدية.

e. تجنب المبالغة في مد جسمك. ضع قدميك في وضع مناسب وحافظ على اتزانك طوال الوقت. ويتيح لك ذلك التحكم بصورة أفضل في الأداة الكهربائية في المواقف غير المتوقعة.

f. ارتد زئاً مناسباً. لا ترتد الملابس الفضفاضة أو الحلي. لا تعرض شعرك وملابسك وقفازاتك للأجزاء المتحركة. فقد تعلق الملابس الفضفاضة أو الحلي أو الشعر الطويل في الأجزاء المتحركة.

g. إذا كانت الأجهزة معدة للتوصيل بوسائل إزالة وجمع الأتربة. فتأكد من توصيلها واستخدامها بشكل مناسب. حيث إن استخدام وسائل جمع الأتربة يمكن أن يحد من المخاطر الناجمة عن تراكم الأتربة.

4. استخدام الأداة الكهربائية والعناية بها

