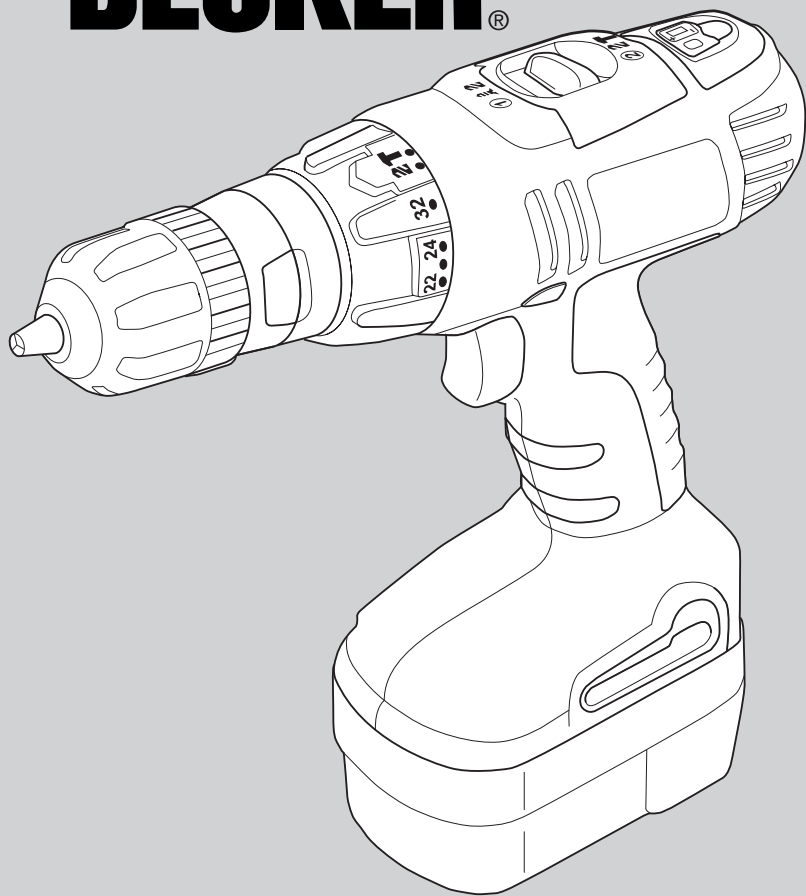


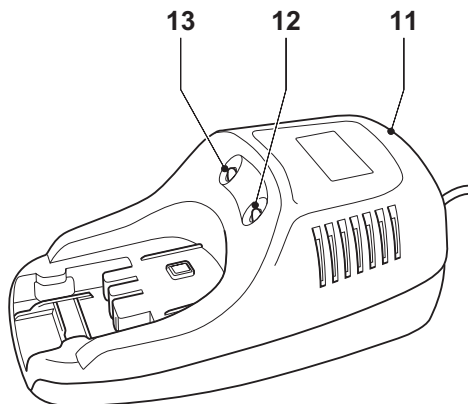
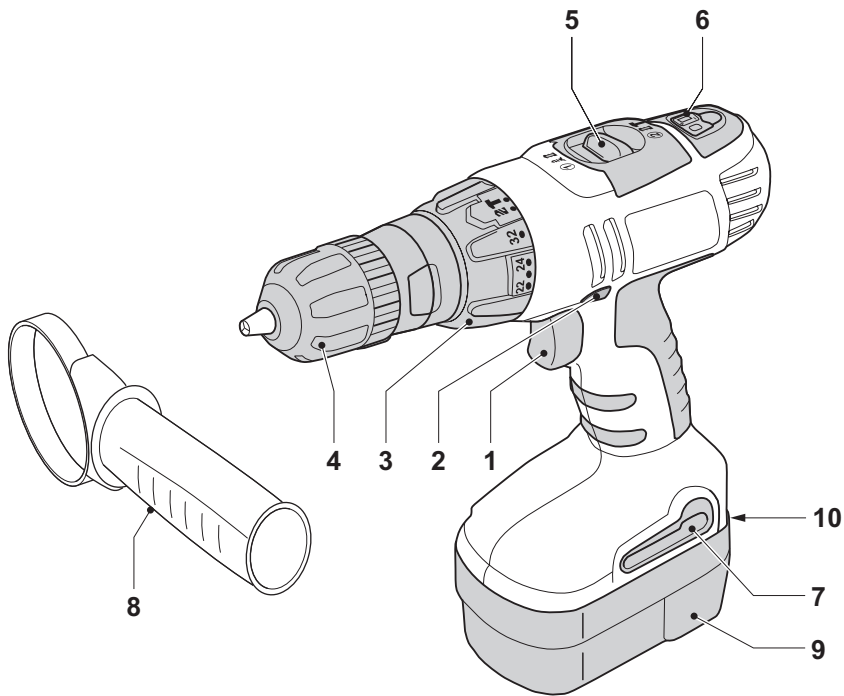
 **BLACK &
DECKER®**



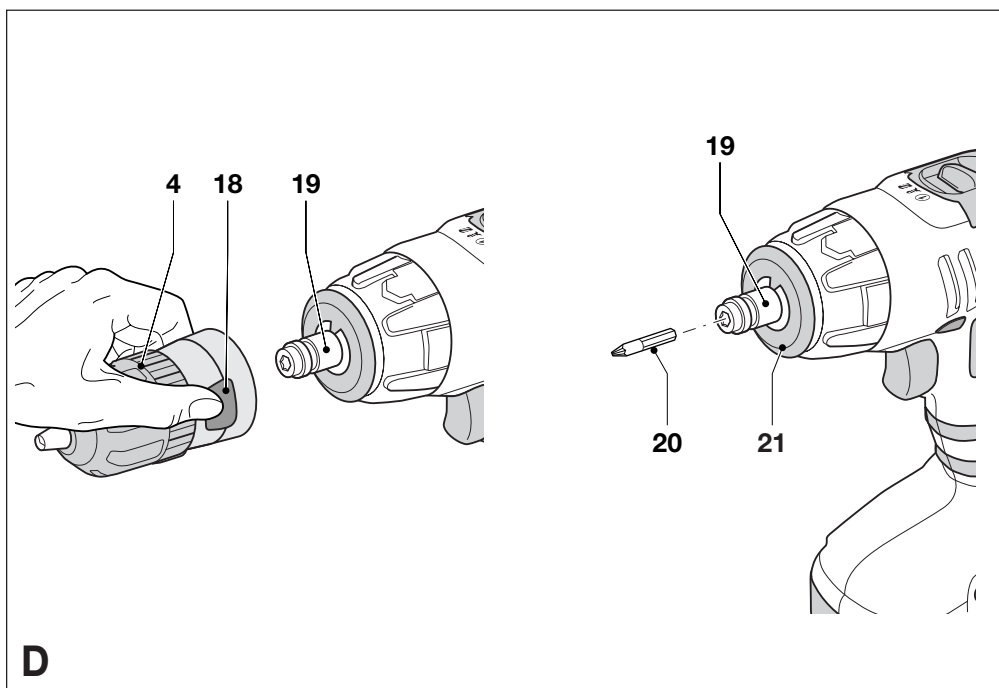
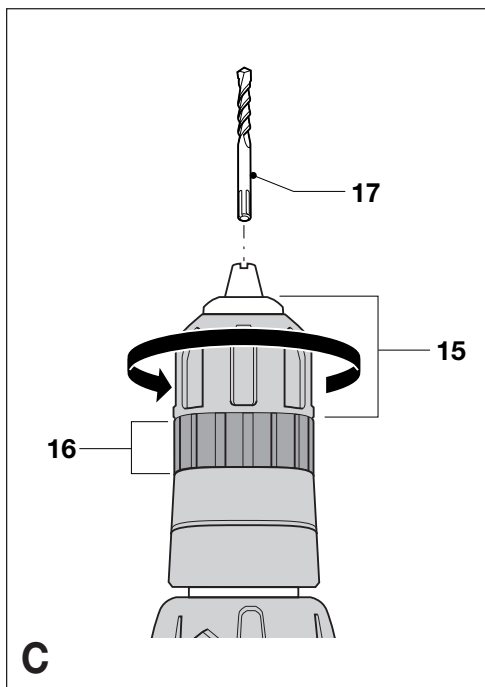
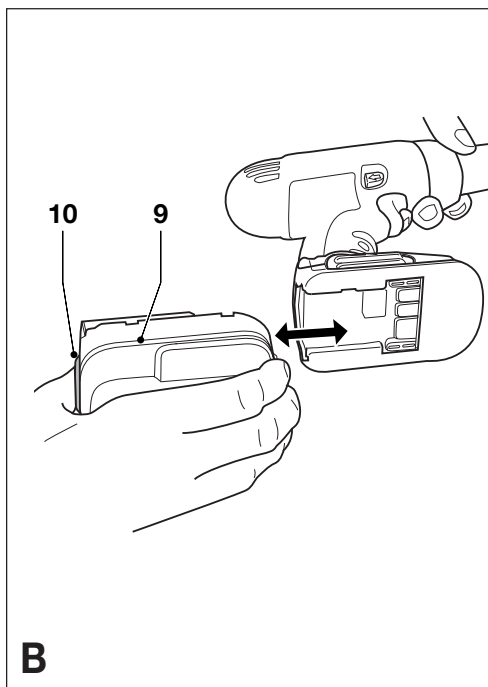
HP126FSC
HP126F2K
HP128F2K

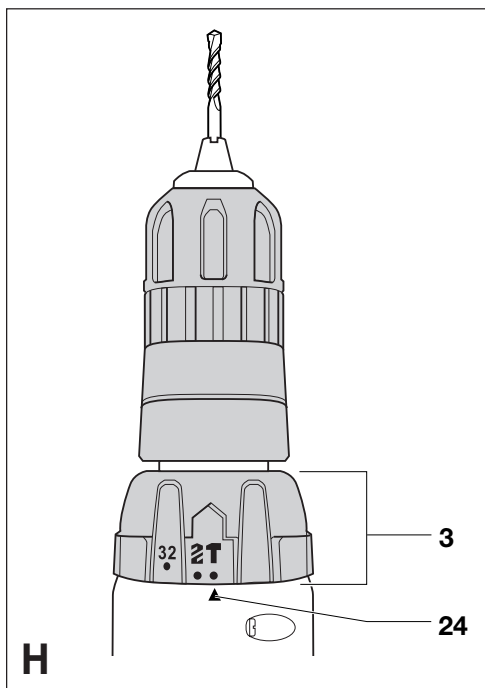
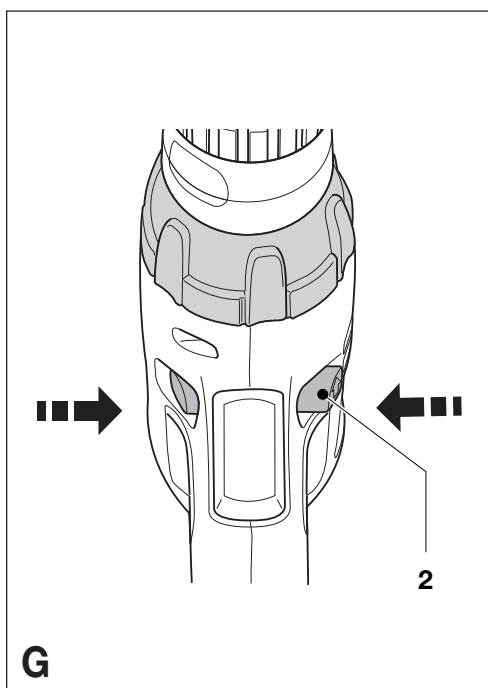
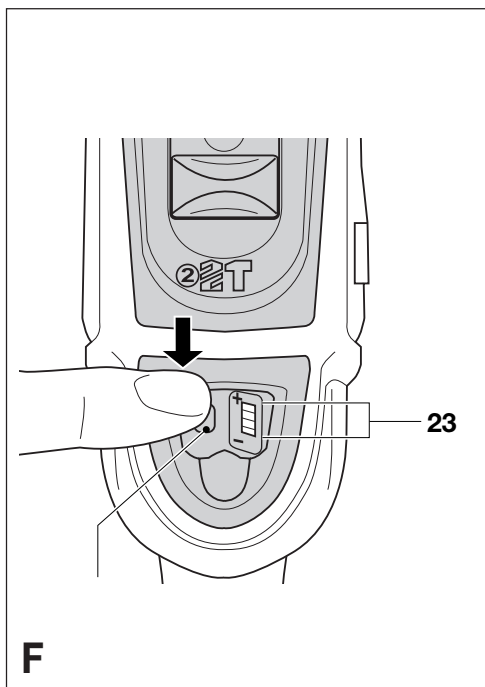
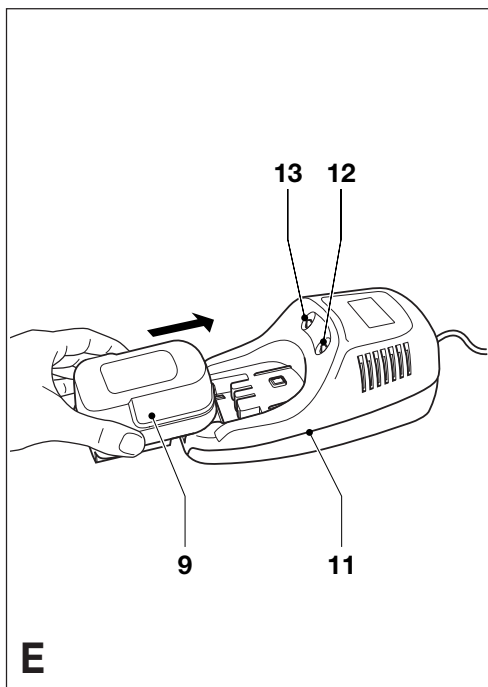
HP146F2K
HP148F2K
HP188F2K

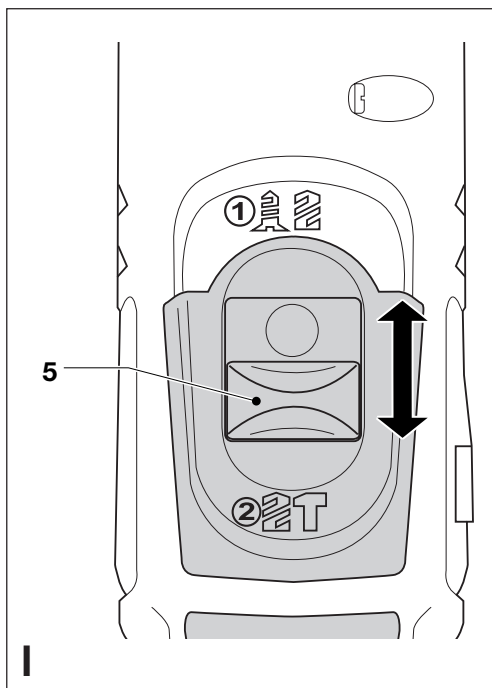
English	7
Deutsch	15
Français	23
Italiano	31
Nederlands	39
Español	47
Português	55
Svenska	63
Norsk	70
Dansk	77
Suomi	85
Ελληνικά	92



A







CORDLESS DRILL/SCREWDRIVER HP126FSC/HP126F2K/HP128F2K/ HP146F2K/148F2K/HP188F2K

CONGRATULATIONS!

You have chosen a Black & Decker tool. Our aim is to provide quality tools at an affordable price. We hope that you will enjoy using this tool for many years.



Colin Wills
Director of Engineering
BDCI, 4/F, 2 Dai Wang Street
Tai Po Industrial Estate
Tai Po NT, Hong Kong


EC DECLARATION OF CONFORMITY

CE HP126FSC/HP126F2K/HP128F2BT/
HP146F2K/HP148F2K/HP188F2K
Black & Decker declares that these tools conform to: 98/37/EC, 89/336/EEC, 73/23/EEC, EN 50260, EN 55014, EN 60335, EN 61000

Level of sound pressure, measured according to EN 50260:

		HP126FSC	HP126F2K	HP128F2K
L_{pA} (sound pressure)	dB(A)	70	70	81
L_{WA} (acoustic power)	dB(A)	83	83	94

		HP146F2K	HP148F2K	HP188F2K
L_{pA} (sound pressure)	dB(A)	81	81	86.5
L_{WA} (acoustic power)	dB(A)	94	94	99.5

 Always wear ear protection if the sound pressure exceeds 85 dB(A).

Hand/arm weighted vibration value according to EN 50260:

HP126FSC	HP126F2K	HP128F2K
< 2.5 m/s ²	< 2.5 m/s ²	5.6 m/s ²

HP146F2K	HP148F2K	HP188F2K
< 2.5 m/s ²	5.6 m/s ²	7.3 m/s ²

INTENDED USE


Your Black & Decker drill/screwdriver HP126F2/HP146F2 has been designed for screwdriving applications and for drilling in wood, metal and plastics.


Your Black & Decker drill/screwdriver HP148F2/HP188F2 has been designed for screwdriving applications and for drilling in wood, metal, plastics and soft masonry. This tool is intended for consumer use only. Your Black & Decker charger has been designed for charging Black & Decker batteries of the type supplied with this tool.


SAFETY INSTRUCTIONS

Warning symbols

The following symbols are used in this manual:

 Denotes risk of personal injury, loss of life or damage to the tool in case of non-observance of the instructions in this manual.

 Denotes risk of electric shock.

 Read the manual prior to operation.

 Fire hazard.

Know your tool



- ◆ **Warning!** When using battery-powered tools, basic safety precautions, including the following, should always be followed to reduce the risk of fire, leaking batteries, personal injury and material damage.
 - ◆ Read all of this manual carefully before operating the tool.
 - ◆ Before operating the tool, make sure that you know how to switch the tool off in an emergency.
 - ◆ Retain this manual for future reference.

General

1. Keep work area clean

Cluttered areas and benches can cause accidents.

2. Consider work area environment

Do not expose the tool to rain. Do not use the tool in damp or wet conditions. Keep the work area well lit. Do not use the tool where there is a risk of causing fire or explosion, e.g. in the presence of flammable liquids and gases.

3. Keep children away

Do not allow children, visitors or animals to come near the work area or to touch the tool.

4. Dress properly

Do not wear loose clothing or jewellery, as these can be caught in moving parts. Preferably wear rubber gloves and non-slip footwear when working outdoors. Wear protective hair covering to keep long hair out of the way.

5. Personal protection

Always use safety glasses. Use a face or dust mask whenever the operations may produce dust or flying particles. Wear ear protection whenever the sound level seems uncomfortable.

6. Do not overreach

Keep proper footing and balance at all times.

7. Stay alert

Watch what you are doing. Use common sense. Do not operate the tool when you are tired.

8. Secure workpiece

Use clamps or a vice to hold the workpiece. It is safer and it frees both hands to operate the tool.

9. Connect dust extraction equipment

If devices are provided for the connection of dust extraction and collection facilities, ensure that these are connected and properly used.

10. Remove keys and adjusting wrenches

Always check that keys and adjusting wrenches are removed from the tool before operating the tool.

11. Use appropriate tool

The intended use is described in this instruction manual. Do not force small tools or attachments to do the job of a heavy-duty tool. The tool will do the job better and safer at the rate for which it was intended. Do not force the tool.

Warning! The use of any accessory or attachment or performance of any operation with this tool other than those recommended in this instruction manual may present a risk of personal injury.

12. Check for damaged parts

Before use, carefully check the tool for damage. Check for misalignment and seizure of moving parts, breakage of parts, damage to guards and switches and any other conditions that may affect its operation. Ensure that the tool will operate properly and perform its intended function. Do not use the tool if any part is damaged or defective. Do not use the tool if the switch does not turn it on and off. Have any damaged or defective parts repaired or replaced by an authorised repair agent. Never attempt any repairs yourself.

13. Remove the battery

Where the design permits, remove the battery when the tool is not in use, before changing any parts of the tool, accessories or attachments and before servicing.

14. Avoid unintentional starting

Do not carry the tool with a finger on the on/off switch. Be sure that the tool is switched off when inserting the battery into the tool.

15. Do not abuse cord

Never carry the charger by its cord or pull it to disconnect from the socket. Keep the cord away from heat, oil and sharp edges.

16. Store idle tools

When not in use, tools, batteries and chargers should be stored in a dry, locked up or high place, out of reach of children.

17. Maintain tools with care

Keep cutting tools sharp and clean for better and safer performance.
Follow the instructions for maintenance and changing accessories. Keep handles and switches dry, clean and free from oil and grease.

18. Repairs

This tool complies with relevant safety requirements. Repairs should only be carried out by qualified persons using original spare parts; otherwise this may result in considerable danger to the user.

Additional safety instructions for batteries and chargers

Batteries

- ◆ Never attempt to open for any reason.
- ◆ Do not expose to water.
- ◆ Do not store in locations where the temperature may exceed 40 °C.
- ◆ Charge only at ambient temperatures between 4 °C and 40 °C.
- ◆ Charge only using the charger provided with the tool (see technical data).
- ◆ Before charging, make sure that the battery is dry and clean.
- ◆ Use only the correct type of battery for the tool (see technical data).
- ◆ When disposing of batteries, follow the instructions given in the section "Protecting the environment".
- ◆ Under extreme conditions, battery leakage may occur. When you notice liquid on the battery, proceed as follows:
 - Carefully wipe the liquid off using a cloth. Avoid skin contact.
 - In case of skin or eye contact, follow the instructions below.



The battery fluid, a 25-30% solution of potassium hydroxide, can be harmful. In case of skin contact, immediately rinse with water.

Neutralise with a mild acid such as lemon juice or vinegar. In case of eye contact, rinse abundantly with clean water for at least 10 minutes. Consult a physician.



Fire hazard! Avoid short-circuiting the contacts of a detached battery (e.g. when storing the battery in a toolbox).



Do not incinerate the battery.



Do not attempt to charge damaged batteries.

Chargers

- ◆ Use your Black & Decker charger only to charge batteries of the type supplied with your tool. Other batteries could burst, causing personal injury and damage.
- ◆ Never attempt to charge non-rechargeable batteries.
- ◆ Have defective cords replaced immediately.
- ◆ Do not expose to water.
- ◆ Do not open the charger.
- ◆ Do not probe the charger.



The charger is intended for indoor use only.

Additional safety instructions for drill/screwdrivers

- ◆ Before drilling into walls, floors or ceilings, check for the location of wiring and pipes.
- ◆ Avoid touching the tip of a drill bit just after drilling, as it may be hot.

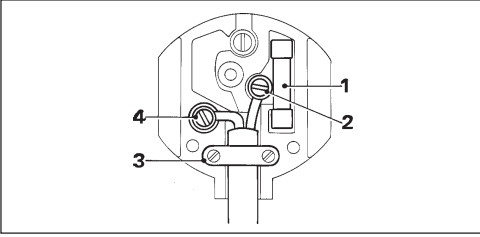
ELECTRICAL SAFETY

Your charger has been designed for a specific mains voltage. Always check that the mains voltage corresponds to the voltage on the rating plate.



Your charger is double insulated in accordance with EN 60335; therefore no earth wire is required.

Mains plug replacement (U.K. & Ireland only)



- ◆ Should your mains plug need replacing and you are competent to do this, proceed as instructed below. If you are in doubt, contact an authorised repair agent or a qualified electrician.
- ◆ Disconnect the plug from the supply and remove the fuse from the plug.
- ◆ Cut off the plug and dispose of it safely; a plug with bared copper conductors is dangerous if engaged in a live socket outlet.
- ◆ Only fit 13 Amperes BS1363A approved plugs fitted with a 5 A fuse (1).
- ◆ The cable wire colours, or a letter, will be marked at the connection points of most good quality plugs. Attach the wires to their respective points in the plug (see above). Brown is for Live (L) (2), blue is for Neutral (N) (4).
- ◆ Before replacing the top cover of the mains plug ensure that the cable restraint (3) is holding the outer sheath of the cable firmly and that the leads are correctly fixed at the terminal screws.
- ◆ If the plug has a fuse cover, make sure that the fuse cover is fitted. Do not use the plug if the fuse cover is missing or damaged.



Never use a light socket.

OVERVIEW (fig. A)

1. Variable speed switch
2. Forward/reverse slider
3. Mode selector / torque adjustment collar
4. Chuck
5. Two-gear selector
6. Battery charge indicator (HP128F2/HP148F2/HP188F2)
7. Bit holder

8. Side handle (HP188F2)
9. Battery
10. Battery release button
11. Charger
12. Charging indicator
13. End of charge indicator

ASSEMBLY

Fitting and removing the battery (fig. B)

- ◆ To fit the battery (9), line it up with the receptacle on the tool. Slide the battery into the receptacle and push until the battery snaps into place.
- ◆ To remove the battery, push the release button (10) while at the same time pulling the battery out of the receptacle.

Fitting and removing a drill bit or screwdriver bit (fig. A & C)

This tool is fitted with a keyless chuck to allow for an easy exchange of bits.

- ◆ Lock the tool by setting the forward/reverse slider (2) to the centre position (fig. A).
- ◆ Open the chuck by turning the front part (15) with one hand while holding the rear part (16) with the other (fig. C).
- ◆ Insert the bit shaft (17) into the chuck.
- ◆ Firmly tighten the chuck by turning the front part (15) with one hand while holding the rear part (16) with the other.

This tool is supplied with a double-ended screwdriver bit in the bit holder (7) (fig. A).

- ◆ To remove the screwdriver bit from the bit holder, lift the bit from the recess.
- ◆ To store the screwdriver bit, firmly push it into the holder.

HP126F2/HP146F2 - Removing and fitting the chuck (fig. D)

The chuck on these models can be easily removed and refitted. When your project entails both drilling and screwdriving, fit a screwdriver bit in the spindle and a drill bit in the chuck: you will then only need to remove the chuck for screwdriving and refit it for drilling. The screwdriver bit can be left in the spindle while drilling. You can also fit drill bits with a hexagonal shaft in this way.

- ◆ To remove the chuck (4), keep the release tabs (18) depressed and pull the chuck off the spindle (19).
- ◆ Install a screwdriver bit (20) by pushing it into the spindle (19) as shown. To remove the screwdriver bit, pull the ring (21) back and pull the screwdriver bit out of the spindle.
- ◆ To refit the chuck, push it onto the spindle until it is firmly locked into place.



Always make sure that the chuck is securely fitted.

HP188F2 - Fitting the side handle (fig. A)

- ◆ Loosen the side handle (8) by turning it counterclockwise.
- ◆ Slide the side handle over the chuck and onto the housing.
- ◆ Tighten the side handle by turning it clockwise.

USE



Let the tool work at its own pace. Do not overload.

Charging the battery (fig. E)

The battery needs to be charged before first use and whenever it fails to produce sufficient power on jobs that were easily done before. A new battery, or a battery that has not been used for an extended period of time, achieves full performance only after approx. 5 charging and discharging cycles. The battery may become warm while charging; this is normal and does not indicate a problem.



Do not charge the battery at ambient temperatures below 4 °C or above 40 °C. Recommended charging temperature: approx. 24 °C.

After normal use, a charging time of 60 minutes will provide sufficient power for most applications. However, further charging for up to 90 minutes could significantly increase the use time, depending on the battery and charging conditions.

- ◆ To charge the battery (9), remove it from the tool and insert it into the charger (11). The battery will only fit into the charger in one way. Do not force. Be sure that the battery is fully seated in the charger.
- ◆ Plug in the charger.
- ◆ Check if the red charging indicator (12) lights up. If the green end of charge indicator (13) lights up now instead, the battery is too hot and cannot be charged. If this happens, remove the battery from the charger, let the battery cool down for approx. 1 hour and re-insert it.

After approx. 1 hour of charging, the red charging indicator (12) will stop lighting and the green end of charge indicator (13) will light up. The battery is now fully charged.

- ◆ Remove the battery from the charger.

HP128F2/HP148F2/HP188F2 - Checking the battery condition (fig. F)

This tool is fitted with a battery charge indicator, which allows you to check the condition of the battery.

- ◆ Press and hold down the button (22).
- ◆ Check to see how many of the lights (23) are on:

	Battery charge
1 light	low
2 lights	medium
3 lights	high

Selecting the direction of rotation (fig. G)



For drilling and for tightening screws, use forward (clockwise) rotation. For loosening screws or removing a jammed drill bit, use reverse (counterclockwise) rotation.

- ◆ To select forward rotation, push the forward/reverse slider (2) to the left.
- ◆ To select reverse rotation, push the forward/reverse slider to the right.
- ◆ To lock the tool, set the forward/reverse slider into the centre position.

Selecting the operating mode or torque (fig.H)

This tool is fitted with a collar to select the operating mode and to set the torque for tightening screws.

Large screws and hard workpiece materials require a higher torque setting than small screws and soft workpiece materials. The collar has a wide range of settings to suit your application.

- ◆ For drilling in wood, metal and plastics, set the collar (3) to the drilling position by aligning the symbol  with the marking (24).
- ◆ HP148F2/HP188F2:
For drilling in masonry, set the collar (3) to the hammer drilling position by aligning the symbol  with the marking (24).
- ◆ For screwdriving, set the collar to the desired setting. If you do not yet know the appropriate setting, proceed as follows:
 - ◆ Set the collar (3) to the lowest torque setting.
 - ◆ Tighten the first screw.
 - ◆ If the clutch ratchets before the desired result is achieved, increase the collar setting and continue tightening the screw.
 Repeat until you reach the correct setting. Use this setting for the remaining screws.

Two-gear selector (fig. I)

- ◆ For drilling in steel and for screwdriving applications, slide the two-gear selector (5) towards the front of the tool (1st gear).
- ◆ For drilling in materials other than steel, slide the two-gear selector (5) towards the rear of the tool (2nd gear).

Drilling/screwdriving (fig. A)

- ◆ Select forward or reverse rotation using the forward/reverse slider (2).
- ◆ To switch the tool on, press the switch (1). The tool speed depends on how far you press the switch.
- ◆ To switch the tool off, release the switch.

Hints for optimum use

Drilling

- ◆ Always apply a light pressure in a straight line with the drill bit.
- ◆ Just before the drill tip breaks through the other side of the workpiece, decrease pressure on the tool.
- ◆ Use a block of wood to back up workpieces that may splinter.

- ◆ Use spade bits when drilling large diameter holes in wood.
- ◆ Use HSS drill bits when drilling in metal.
- ◆ Use masonry bits when drilling in soft masonry.
- ◆ Use a lubricant when drilling metals other than cast iron and brass.
- ◆ Make an indentation using a centre punch at the centre of the hole to be drilled in order to improve accuracy.

Screwdriving

- ◆ Always use the correct type and size of screwdriver bit.
- ◆ If screws are difficult to tighten, try applying a small amount of washing liquid or soap as a lubricant.
- ◆ Always hold the tool and screwdriver bit in a straight line with the screw.

MAINTENANCE

Your Black & Decker tool has been designed to operate over a long period of time with a minimum of maintenance. Continuous satisfactory operation depends upon proper tool care and regular cleaning.

Your charger does not require any maintenance apart from regular cleaning.



Before performing any maintenance on the tool, remove the battery from the tool.

- ◆ Unplug the charger before cleaning it.
- ◆ Regularly clean the ventilation slots in your tool and charger using a soft brush or dry cloth.
- ◆ Regularly clean the motor housing using a damp cloth. Do not use any abrasive or solvent-based cleaner.
- ◆ Regularly open the chuck and tap it to remove any dust from the interior.

PROTECTING THE ENVIRONMENT

Tools



Should you find one day that your tool needs replacement, or if it is of no further use to you, think of the protection of the environment. Black & Decker repair agents will accept old Black & Decker tools and ensure that they are disposed of in an environmentally safe way.

Batteries



Black & Decker batteries can be recharged many times. At the end of their useful life, discard batteries with due care for our environment:

- ◆ Run the battery down completely, then remove it from the tool.

- ◆ NiCd and NiMH batteries are recyclable. Take them to your service agent or a local recycling station. Collected batteries will be recycled or disposed of properly.

Guarantee

Black & Decker is confident of the quality of its products and offers an outstanding guarantee. This guarantee statement is in addition to and in no way prejudices your statutory rights. The guarantee is valid within the territories of the Member States of the European Union and the European Free Trade Area.

If a Black & Decker product becomes defective due to faulty materials, workmanship or lack of conformity, within 24 months from the date of purchase, Black & Decker guarantees to replace defective parts, repair products subjected to fair wear and tear or replace such products to ensure minimum inconvenience to the customer unless:

Technical data

		HP126FSC	HP126F2K	HP128F2K
Voltage	V _{DC}	12	12	12
No-load speed	min ⁻¹	0-400/0-1,200	0-400/0-1,200	0-400/0-1,200
Max. torque	Nm	20.2	20.2	20.2
Chuck capacity	mm	10	10	10
Max. drilling capacity in steel/wood/masonry	mm	10/25/-	10/25/-	10/25/12
Battery cat. no.		A12F	A1712	A1712
Capacity	Ah	1.5	1.7	1.7
Weight (without battery)	kg	1.3	1.3	1.2

		HP146F2K	HP148F2K	HP188F2K
Voltage	V _{DC}	14.4	14.4	18
No-load speed	min ⁻¹	0-300/0-1,100	0-300/0-1,100	0-500/0-1,600
Max. torque	Nm	22.1	22.1	29.4
Chuck capacity	mm	10	13	13
Max. drilling capacity in steel/wood/masonry	mm	10/30/-	13/30/12	13/35/15
Battery service no.		A1714	A1714	A1718
Capacity	Ah	1.7	1.7	1.7
Weight (without battery)	kg	1.3	1.4	1.4

Charger

Input voltage	V _{AC}	230
Approx. charging time	hr	1

- ◆ The product has been used for trade, professional or hire purposes;
- ◆ The product has been subjected to misuse or neglect;
- ◆ The product has sustained damage through foreign objects, substances or accidents;
- ◆ Repairs have been attempted by persons other than authorised repair agents or Black & Decker service staff.

To claim on the guarantee, you will need to submit proof of purchase to the seller or an authorised repair agent. You can check the location of your nearest authorised repair agent by contacting your local Black & Decker office at the address indicated in this manual. Alternatively, a list of authorised Black & Decker repair agents and full details of our after-sales service and contacts are available on the Internet at: **www.2helpU.com**

Please visit our website **www.blackanddecker.co.uk** to register your new Black & Decker product and to be kept up to date on new products and special offers. Further information on the Black & Decker brand and our range of products is available at **www.blackanddecker.co.uk**

AKKU-BOHRSCHRAUBER

HP126FSC/HP126F2K/HP128F2K/ HP146F2K/HP148F2K/HP188F2K

HERZLICHEN GLÜCKWUNSCH!

Sie haben sich für ein Gerät von Black & Decker entschieden. Wir möchten Qualitätsgeräte zu einem erschwinglichen Preis bieten. Wir hoffen, daß Sie dieses Gerät viele Jahre mit Freude verwenden werden.



Colin Wills,
Director of Engineering
BDCI, 4/F, 2 Dai Wang Street
Tai Po Industrial Estate
Tai Po NT, Hong Kong

EU-KONFORMITÄTSERKLÄRUNG



HP126FSC/HP126F2K/HP128F2K/
HP146F2K/HP148F2K/HP188F2K
Black & Decker erklärt hiermit, daß diese Geräte entsprechend folgenden Richtlinien und Normen konzipiert wurden: 98/37/EWG, 89/336/EWG, 73/23/EWG, EN 50260, EN 55014, EN 60335, EN 61000

BESTIMMUNGSGEMÄSSE VERWENDUNG

Ihr Black & Decker Bohrschrauber HP126F2/HP146F2 wurde für Schraubaufgaben sowie für das Bohren in Holz, Metall und Kunststoff konstruiert. Ihr Black & Decker Bohrschrauber HP148F2/HP188F2 wurde für Schraubaufgaben sowie für das Bohren in Holz, Metall, Kunststoff und weiches Mauerwerk konstruiert.

Höhe des Schalldrucks, gemessen nach EN 50260:

	HP126FSC	HP126F2K	HP128F2K
L_{pA} (Schalldruck) dB(A)	70	70	81
L_{WA} (Schalleistung) dB(A)	83	83	94

Dieses Gerät ist nicht für den gewerblichen Einsatz vorgesehen.

	HP146F2K	HP148F2K	HP188F2K
L_{pA} (Schalldruck) dB(A)	81	81	86,5
L_{WA} (Schalleistung) dB(A)	94	94	99,5

Ihr Black & Decker Ladegerät wurde zum Laden von Black & Decker Akkus vom im Lieferumfang enthaltenen Typ entwickelt.

SICHERHEITSHINWEISE



Tragen Sie bei einem Schalldruck über 85 dB(A) einen Gehörschutz.

Warnsymbole

Folgende Warnsymbole werden in dieser Anleitung verwendet:

Gewichteter Effektivwert der Beschleunigung nach EN 50260:

HP126FSC	HP126F2K	HP128F2K
< 2,5 m/s ²	< 2,5 m/s ²	5,6 m/s ²



Verletzungsgefahr, Lebensgefahr oder mögliche Beschädigung des Geräts infolge der Nichtbeachtung der Anweisungen dieser Anleitung!

HP146F2K	HP148F2K	HP188F2K
< 2,5 m/s ²	5,6 m/s ²	7,3 m/s ²



Gefahr eines elektrischen Schlags.



Lesen Sie vor der Inbetriebnahme die Anleitung.



Feuergefahr.

Kennen Sie Ihr Gerät



- ◆ **Warnung!** Bei der Verwendung von Akkugeräten sind zum Schutz gegen Feuergefahr, gegen Austreten der Akkuflüssigkeit sowie gegen Körper- und Sachschaden grundlegende Sicherheitsmaßnahmen, einschließlich der folgenden Vorschriften, zu beachten.
 - ◆ Lesen Sie diese Anleitung gründlich durch, bevor Sie das Gerät verwenden.
 - ◆ Informieren Sie sich vor der Inbetriebnahme, wie Sie das Gerät im Notfall ausschalten.
 - ◆ Bewahren Sie diese Anleitung auf.

Allgemeines

1. Halten Sie Ihren Arbeitsbereich in Ordnung!

Unordnung im Arbeitsbereich führt zu Unfallgefahren.

2. Berücksichtigen Sie Umgebungseinflüsse!

Setzen Sie das Gerät keinem Regen aus. Verwenden Sie das Gerät nicht in einer feuchten oder nassen Umgebung. Sorgen Sie für eine gute Beleuchtung des Arbeitsbereiches. Benutzen Sie das Gerät nicht an Orten, wo Feuergefahr oder Explosionsgefahr besteht, z.B. in der Nähe von brennbaren Flüssigkeiten oder Gasen.

3. Halten Sie Kinder fern!

Halten Sie Kinder, Besucher und Tiere dem Arbeitsbereich fern und sorgen Sie dafür, daß Sie das Gerät nicht berühren.

4. Tragen Sie geeignete Arbeitskleidung!

Tragen Sie keine weite Kleidung oder Schmuck, da diese von sich bewegendenden Teilen erfaßt werden können. Beim Arbeiten im Freien sind Arbeitshandschuhe und rutschfestes Schuhwerk empfehlenswert. Tragen Sie bei langen Haaren ein Haarnetz.

5. Schutzmaßnahmen

Verwenden Sie immer eine Schutzbrille. Tragen Sie eine Atemschutzmaske, falls die Arbeiten Staub oder Späne erzeugen können. Tragen Sie bei einem hohen oder unangenehmen Schallpegel immer einen Gehörschutz.

6. Achten Sie auf einen sicheren Stand!

Achten Sie auf einen sicheren Stand, um in jeder Arbeitsposition das Gleichgewicht zu halten.

7. Seien Sie stets aufmerksam!

Konzentrieren Sie sich auf Ihre Arbeit. Gehen Sie vernünftig vor. Verwenden Sie das Gerät nicht, wenn Sie müde sind.

8. Sichern Sie das Werkstück!

Benutzen Sie Spannvorrichtungen oder einen Schraubstock, um das Werkstück festzuhalten. Es ist damit sicherer gehalten und ermöglicht die Bedienung des Gerätes mit beiden Händen.

9. Schließen Sie Vorrichtungen zur Staubabsaugung an!

Falls Vorrichtungen zur Absaugung oder zum Sammeln von Staub an das Gerät angeschlossen werden können, vergewissern Sie sich, daß diese angeschlossen sind und ordnungsgemäß verwendet werden.

10. Lassen Sie keine Schlüssel stecken!

Überprüfen Sie vor dem Einschalten, ob die Schlüssel und Einstellwerkzeuge entfernt sind.

11. Benutzen Sie das richtige Gerät!

Die bestimmungsgemäße Verwendung ist in dieser Betriebsanleitung beschrieben. Verwenden Sie keine zu schwachen Geräte oder Zubehörteile für schwere Arbeiten. Mit dem richtigen Gerät erzielen Sie eine optimale Qualität und gewährleisten Ihre persönliche Sicherheit. Überlasten Sie das Gerät nicht.

Warnung! Das Verwenden anderer als der in dieser Anleitung empfohlenen Vorsatzgeräte und Zubehörteile oder die Ausführung von Arbeiten mit diesem Gerät, die nicht der bestimmungsgemäßen Verwendung entsprechen, kann zu Unfallgefahren führen.

12. Kontrollieren Sie Ihr Gerät auf Beschädigungen!

Überprüfen Sie das Gerät vor der Arbeit auf Beschädigungen.

Überprüfen Sie, ob alle beweglichen Teile richtig montiert sind, ob keine Teile gebrochen sind, ob keine Schutzvorrichtungen und Schalter beschädigt sind, und ob irgendwelche andere Schäden den einwandfreien Betrieb des Gerätes beeinträchtigen könnten. Vergewissern Sie sich, daß das Gerät ordnungsgemäß funktionieren wird. Benutzen Sie das Gerät nicht, wenn irgendein Teil defekt ist. Verwenden Sie das Gerät nicht, wenn der Ein-/Aus-Schalter nicht funktioniert. Lassen Sie defekte Teile immer von einer unserer Kundendienstwerkstätten reparieren oder austauschen. Versuchen Sie nie, das Gerät selber zu reparieren.

13. Entfernen Sie den Akku:

Entfernen Sie, falls möglich, den Akku, wenn Sie das Gerät nicht benutzen, bevor Sie irgendwelche Werkzeuge, Zubehörteile oder Geräteteile auswechseln und bevor Sie irgendwelche Wartungsarbeiten vornehmen.

14. Vermeiden Sie ein unbeabsichtigtes Einschalten!

Tragen Sie das Gerät nicht mit dem Finger am Ein-/Aus-Schalter. Vergewissern Sie sich, daß das Gerät ausgeschaltet ist, wenn Sie den Akku anbringen.

15. Behandeln Sie das Kabel sorgfältig!

Tragen Sie das Ladegerät nicht am Kabel und benutzen Sie das Kabel nicht, um den Stecker aus der Steckdose zu ziehen. Schützen Sie das Kabel vor Hitze, Öl und scharfen Kanten.

16. Bewahren Sie Ihre Geräte sicher auf!

Unbenutzte Geräte, Ladegeräte und Akkus sind an einem trockenen, für Kinder nicht erreichbaren Ort aufzubewahren.

17. Pflegen Sie Ihre Geräte mit Sorgfalt!

Halten Sie Schneidwerkzeuge scharf und sauber, um gut und sicher arbeiten zu können. Befolgen Sie die Wartungsvorschriften und die Hinweise für den Werkzeugwechsel. Halten Sie Handgriffe und Schalter trocken, sauber und frei von Öl und Fett.

18. Reparaturen:

Dieses Gerät entspricht den einschlägigen Sicherheitsvorschriften. Reparaturen sind nur von autorisierten Fachkräften und mit Original-Ersatzteilen vorzunehmen; andernfalls kann Unfallgefahr für den Betreiber entstehen.

Zusätzliche Sicherheitshinweise für Akku und Ladegeräte

Akkus

- ◆ Versuchen Sie auf keinen Fall, einen Akku zu öffnen.
- ◆ Setzen Sie den Akku keiner Nässe aus.
- ◆ Lagern Sie den Akku nicht an einem Ort, wo die Temperatur 40 °C erreichen kann.
- ◆ Laden Sie den Akku nur bei einer Umgebungstemperatur zwischen 4 °C und 40 °C.
- ◆ Laden Sie den Akku nur mit dem im Lieferumfang enthaltenen Ladegerät (siehe technische Daten).
- ◆ Vergewissern Sie sich vor dem Laden, daß der Akku trocken und sauber ist.
- ◆ Verwenden Sie den korrekten Akkutyp für das jeweilige Gerät (siehe technische Daten).
- ◆ Befolgen Sie bei der Entsorgung von Akkus die Anweisungen im Abschnitt "Umweltschutz".
- ◆ Unter extremen Einsatzbedingungen kann Akkuflüssigkeit aus dem Akku austreten. Wenn sich Flüssigkeit auf dem Akku befindet, gehen Sie folgendermaßen vor:
 - Wischen Sie die Flüssigkeit mit Hilfe eines Tuches vorsichtig vom Akku. Vermeiden Sie eine Berührung mit der Haut.
 - Falls die Flüssigkeit doch mit der Haut oder den Augen in Berührung kommen sollte, befolgen Sie die folgenden Hinweise.



Die Akkuflüssigkeit, eine 25 bis 30% starke Kaliumhydroxidlösung, kann schädlich sein. Falls die Lösung mit der Haut in Berührung kommt, spülen Sie sofort mit reichlich Wasser. Neutralisieren Sie die Lösung mit einer milden Säure wie Zitronensaft oder Essig. Falls die Lösung mit den Augen in Berührung kommt, spülen Sie mindestens 10 Minuten lang mit reichlich klarem Wasser. Wenden Sie sich an einen Arzt.



Feuergefahr! Vermeiden Sie, daß Metallteile die Anschlüsse eines nicht am Gerät befindlichen Akkus kurzschließen (z.B. Schlüssel, die zusammen mit dem Akku in einer Tasche getragen werden).



Verbrennen Sie den Akku nicht!



Versuchen Sie nie, einen beschädigten Akku zu laden!

Ladegeräte

- ◆ Verwenden Sie Ihr Black & Decker Ladegerät nur zum Laden von Akkus vom im Lieferumfang enthalten Typ. Andere Akkus könnten platzen und Sach- und Personenschäden verursachen.
- ◆ Versuchen Sie nie, nichtwiederaufladbare Batterien zu laden.
- ◆ Lassen Sie ein beschädigtes Kabel sofort austauschen.
- ◆ Setzen Sie das Ladegerät keiner Nässe aus.
- ◆ Öffnen Sie das Ladegerät nicht.
- ◆ Fassen Sie nicht mit den Fingern oder irgendwelchen Gegenständen in das Ladegerät.



Nicht für die Verwendung im Freien zugelassen!

Zusätzliche Sicherheitshinweise für Bohrschrauber

- ◆ Informieren Sie sich vor dem Bohren in Wänden, Böden und Decken über den genauen Verlauf von Leitungen und Röhren.
- ◆ Vermeiden Sie eine Berührung der Spitze eines Bohrers kurz nach dem Bohren, da sie heiß sein kann.

ELEKTRISCHE SICHERHEIT

Überprüfen Sie, ob die Netzspannung der auf dem Typenschild des Ladegerätes angegebenen Spannung entspricht.



Ihr Ladegerät ist gemäß EN 60335 doppelt isoliert; eine Erdleitung ist somit nicht erforderlich.



Bei Ersatz des Netzkabels achten Sie auf Verwendung des Schweizer Netzsteckers: Typ 11 für Geräte Klasse II (Doppelisolierung)

Verlängerungskabel

Falls ein Verlängerungskabel erforderlich ist, verwenden Sie ein zugelassenes Verlängerungskabel, das für die Leistungsaufnahme des Ladegerätes ausreichend ist (vgl. Typenschild). Der Mindestquerschnitt beträgt 1 mm². Rollen Sie das Kabel bei Verwendung einer Kabelrolle immer völlig aus.

GERÄTEBESCHREIBUNG (Abb. A)

1. Drehzahl-Regelschalter
2. Linkslauf-/Rechtslauf-Umschalter
3. Betriebsart-Wahlschalter/Drehmoment-Einstellung
4. Bohrfutter
5. Zweigang-Wahlschalter
6. Batterieladeanzeige (HP128F2/HP148F2/HP188F2)
7. Schrauberklingshalter
8. Seitenhandgriff (HP188F2)
9. Akku
10. Akku-Löseknopf
11. Ladegerät
12. Ladeanzeige
13. Statusanzeige

MONTAGE

Anbringen und Entfernen des Akkus (Abb. B)

- ◆ Um den Akku (9) anzubringen, richten Sie ihn mit der Aufnahme am Werkzeug aus. Schieben Sie den Akku in die Aufnahme und drücken Sie, bis er einrastet.
- ◆ Um den Akku zu entfernen, drücken Sie den Löseknopf (10) und ziehen Sie gleichzeitig den Akku aus der Aufnahme heraus.

Anbringen und Entfernen eines Bohrers oder einer Schrauberklings (Abb. A & C)

Dieses Werkzeug ist mit einem Schnellspannbohrfutter versehen, das ein leichtes und schnelles Austauschen von Bohrern und Schrauberklings ermöglicht.

- ◆ Verriegeln Sie das Gerät, indem Sie den Linkslauf-/Rechtslauf-Umschalter (2) in die mittlere Stellung schieben (Abb. A).

- ◆ Öffnen Sie das Bohrfutter, indem Sie den vorderen Teil (15) mit der einen Hand aufdrehen, während Sie den hinteren Teil (16) mit der anderen Hand festhalten (Abb. C).
- ◆ Stecken Sie den Schaft (17) des Bohrers bzw. der Schrauber Klinge in das Bohrfutter.
- ◆ Ziehen Sie das Bohrfutter fest, indem Sie den vorderen Teil (15) mit der einen Hand zudrehen, während Sie den hinteren Teil (16) mit der anderen Hand festhalten.

Bei der Lieferung befindet sich eine zweiseitige Schrauber Klinge in der Aufnahme (7) (Abb. A).

- ◆ Um die Schrauber Klinge aus der Aufnahme zu entfernen, ziehen Sie sie aus der Ausparung.
- ◆ Um die Schrauber Klinge in der Aufnahme anzubringen, drücken Sie sie fest in die Aufnahme.

HP126F2/HP146F2 -

Entfernen und Anbringen des Bohrfutters (Abb. D)

Das Bohrfutter dieser Modelle kann leicht entfernt und angebracht werden. Falls bei Ihrer Arbeit sowohl Bohren als auch Schrauben nötig ist, setzen Sie eine Schrauber Klinge in die Spindel und einen Bohrer in das Bohrfutter. Nun müssen Sie nur noch zum Schrauben das Bohrfutter entfernen und zum Bohren wieder anbringen. Die Schrauber Klinge kann beim Bohren in der Spindel gelassen werden. Auf diese Weise können Sie auch Bohrer mit einem Sechskantschaft anbringen.

- ◆ Um das Bohrfutter (4) zu entfernen, halten Sie die Lösefahnen (18) gedrückt und ziehen Sie das Bohrfutter von der Spindel (19).
- ◆ Bringen Sie eine Schrauber Klinge (20) an, indem Sie sie wie angegeben in die Spindel (19) drücken. Um die Schrauber Klinge zu entfernen, ziehen Sie den Ring (21) zurück und ziehen Sie die Schrauber Klinge aus der Spindel.
- ◆ Um das Bohrfutter wieder anzubringen, drücken Sie es auf die Spindel, bis es fest in seiner Lage einrastet.



Stellen Sie stets sicher, daß das Bohrfutter sicher angebracht ist.

HP188F2 -

Anbringen des Zusatzhandgriffes (Abb. A)

- ◆ Lösen Sie den Zusatzhandgriff (8), indem Sie ihn gegen den Uhrzeigersinn drehen.
- ◆ Schieben Sie den Zusatzhandgriff über das Bohrfutter und auf das Gehäuse.
- ◆ Ziehen Sie den Zusatzhandgriff an, indem Sie ihn im Uhrzeigersinn drehen.

GEBRAUCH



Beschleunigen Sie den Arbeitsvorgang nicht mit Gewalt. Vermeiden Sie eine Überlastung des Gerätes.

Laden des Akkus (Abb. E)

Der Akku ist zu laden, bevor Sie das Akku-Gerät zum ersten Mal benutzen sowie wenn die Leistung des Akku-Geräts spürbar nachläßt. Ein neuer oder länger nicht verwendeter Akku erreicht seine volle Leistung erst nach ca. 5 Lade- und Entladezyklen. Während des Ladens kann sich der Akku erwärmen. Dies deutet nicht auf irgendein Problem hin.



Laden Sie den Akku nicht bei einer Umgebungstemperatur unter 4 °C oder über 40 °C. Empfohlene Ladetemperatur: zirka 24 °C.

Bei normalem Gebrauch liefert eine Ladezeit von 60 Minuten für die meisten Einsätze ausreichend Energie. Je nach Zustand des Akkus und den Ladebedingungen kann eine weitere Ladezeit von bis zu 90 Minuten die Einsatzzeit jedoch beträchtlich erhöhen.

- ◆ Um den Akku (9) zu laden, entfernen Sie ihn vom Gerät und stecken ihn in das Ladegerät (11). Der Akku läßt sich nur in einer Stellung in das Ladegerät einführen. Wenden Sie keine Gewalt an. Vergewissern Sie sich, daß der Akku vollständig in das Ladegerät eingeführt ist.
- ◆ Stecken Sie den Netzstecker des Ladegerätes in die Steckdose.

- ◆ Überprüfen Sie, ob die rote Ladeanzeige (12) aufleuchtet. Falls statt dessen die grüne Statusanzeige (13) aufleuchtet, ist der Akku zu heiß zum Laden. Ist dies der Fall, so nehmen Sie den Akku aus dem Ladegerät, lassen ihn eine Stunde lang abkühlen und stecken ihn dann wieder in das Ladegerät.

Nach dem zirka einstündigen Ladevorgang erlischt die rote Ladeanzeige (12) und die grüne Statusanzeige (13) leuchtet auf. Der Akku ist nun vollständig geladen.

- ◆ Entfernen Sie den Akku vom Ladegerät.

HP128F2/HP148F2/HP188F2 -

Überprüfung des Akku-Zustandes (Abb. F)

Dieses Werkzeug ist mit einer Batterieladeanzeige ausgestattet. Hiermit kann der Zustand des Akkus überprüft werden.

- ◆ Drücken und halten Sie den Knopf (22).
- ◆ Prüfen Sie, wieviel Lampen (23) aufleuchten:

	Akku-Ladezustand
1 Lampe	niedrig
2 Lampen	mittel
3 Lampen	hoch

Wahl der Drehrichtung (Abb. G)



Zum Bohren sowie zum Eindrehen von Schrauben verwenden Sie den Rechtslauf. Zum Lösen von Schrauben sowie zum Lösen eines festsitzenden Bohrers verwenden Sie den Linkslauf.

- ◆ Für Rechtslauf drücken Sie den Linkslauf-/Rechtslauf-Umschalter (2) nach links.
- ◆ Für Linkslauf drücken Sie den Linkslauf-/Rechtslauf-Umschalter nach rechts.
- ◆ Um das Gerät zu verriegeln, schieben Sie den Linkslauf-/Rechtslauf-Umschalter in die mittlere Stellung.

Wahl der Betriebsart bzw. des Drehmoments (Abb. H)

Dieses Gerät ist mit einem Drehring zur Einstellung der Betriebsart und zur Einstellung des Drehmoments beim Eindrehen von Schrauben versehen. Große Schrauben und harte Werkstücke erfordern eine höhere Einstellung des Drehmoments als kleine Schrauben und weiche Werkstücke.

Der Drehring hat einen großen Einstellbereich, um Ihrem Einsatz gerecht zu werden.

- ◆ Zum Bohren in Holz, Metall und Kunststoff drehen Sie den Ring (3) in die Bohrstellung, indem Sie das Symbol  mit der Markierung (24) ausrichten.
- ◆ HP148F2/HP188F2:
Zum Bohren in Mauerwerk drehen Sie den Ring (3) in die Schlagbohrstellung, indem Sie das Symbol  mit der Markierung (24) ausrichten.
- ◆ Zum Schrauben drehen Sie den Ring in die gewünschte Stellung. Falls Sie die richtige Einstellung noch nicht kennen, gehen Sie folgendermaßen vor:
 - ◆ Stellen Sie den Drehring (3) in die Stellung mit dem geringsten Drehmoment.
 - ◆ Ziehen Sie die erste Schraube fest.
 - ◆ Falls die Kupplung zu schnell auskuppelt, stellen Sie den Ring auf einen größeren Wert ein und setzen Sie den Schraubvorgang fort. Wiederholen Sie diese Methode, bis Sie den richtigen Wert gefunden haben. Verwenden Sie diesen Wert für die anderen Schrauben.

Zweigang-Wahlschalter (Abb. I)

- ◆ Zum Bohren in Stahl und für Schraubeinsätze schieben Sie den Zweigang-Wahlschalter (5) zur Vorderseite des Werkzeugs (1. Gang).
- ◆ Zum Bohren in Gegenstände, die nicht aus Stahl bestehen, schieben Sie den Zweigang-Wahlschalter (5) zur Hinterseite des Werkzeugs (2. Gang).

Bohren/Schrauben (Abb. A)

- ◆ Wählen Sie mit Hilfe des Linkslauf-/Rechtslauf-Umschalters (2) Links- bzw. Rechtslauf.
- ◆ Um das Gerät einzuschalten, drücken Sie den Schalter (1). Je tiefer Sie den Schalter drücken, um so höher ist die Drehzahl des Werkzeugs.
- ◆ Um das Gerät auszuschalten, lassen Sie den Schalter los.

Hinweise für optimale Arbeitsergebnisse

Bohren

- ◆ Üben Sie immer einen leichten Druck in Richtung der Bohrspitze aus.

- ◆ Sobald Sie spüren, daß das Werkstück fast durchbohrt ist, reduzieren Sie schrittweise den Druck auf die Bohrspitze, bis der Bohrvorgang beendet ist.
- ◆ Beim Bohren in Werkstücke, die leicht splintern oder ausreißen, legen Sie einen Holzklötz hinter das Werkstück.
- ◆ Verwenden Sie zum Bohren größerer Löcher in Holz einen Schlangenbohrer.
- ◆ Verwenden Sie zum Bohren in Metall HSS-Bohrer.
- ◆ Verwenden Sie zum Bohren in weiches Mauerwerk Steinbohrer.
- ◆ Verwenden Sie beim Bohren in andere Metalle als Gußeisen und Messing eine Kühlflüssigkeit.
- ◆ Markieren Sie die Bohrstelle mit Hilfe eines Bohrkörners, um ein positionsgenaueres Bohren zu gewährleisten.

- ◆ Falls sich Schrauben schwer eindrehen lassen, tragen Sie etwas Spülmittel oder Seife als Schmiermittel an der Schraube auf.
- ◆ Halten Sie das Gerät und die Schrauber Klinge immer in einer geraden Linie mit der Schraube.

WARTUNG

Ihr Black & Decker Gerät wurde für eine lange Lebensdauer und einen möglichst geringen Wartungsaufwand entwickelt. Ein dauerhafter, einwandfreier Betrieb setzt eine regelmäßige Reinigung voraus. Ihr Ladegerät bedarf keiner Wartung, außer einer regelmäßigen Reinigung.



Bevor Sie irgendwelche Wartungsarbeiten vornehmen, entfernen Sie den Akku vom Akku-Gerät.

Schrauben

- ◆ Verwenden Sie immer Schrauberklingen des richtigen Typs und in der richtigen Größe.

- ◆ Ziehen Sie den Netzstecker des Ladegerätes aus der Steckdose, bevor Sie es reinigen.
- ◆ Reinigen Sie regelmäßig die Lüftungsschlitze im Gerät und Ladegerät mit Hilfe einer weichen Bürste oder eines trockenen Tuches.

Technische Daten

		HP126FSC	HP126F2K	HP128F2K
Spannung	V_{DC}	12	12	12
Leerlaufdrehzahl	min^{-1}	0-400/0-1.200	0-400/0-1.200	0-400/0-1.200
Max. Drehmoment	Nm	20,2	20,2	20,2
Bohrfutterkapazität	mm	10	10	10
Max. Bohrkapazität in Stahl/Holz/Mauerwerk	mm	10/25/-	10/25/-	10/25/12
Akku-Service-Nr.		A12F	A1712	A1712
Kapazität	Ah	1,5	1,7	1,7
Gewicht (ohne Akku)	kg	1,3	1,3	1,2

		HP146F2K	HP148F2K	HP188F2K
Spannung	V_{DC}	14,4	14,4	18
Leerlaufdrehzahl	min^{-1}	0-300/0-1.100	0-300/0-1.100	0-500/0-1.600
Max. Drehmoment	Nm	22,1	22,1	29,4
Bohrfutterkapazität	mm	10	13	13
Max. Bohrkapazität in Stahl/Holz/Mauerwerk	mm	10/30/-	13/30/12	13/35/15
Akku-Service-Nr.		A1714	A1714	A1718
Kapazität	Ah	1,7	1,7	1,7
Gewicht (ohne Akku)	kg	1,3	1,4	1,4

Ladegerät

Netzspannung	V_{AC}	230
Ladezeit (zirka)	Std.	1

- ◆ Reinigen Sie regelmäßig das Motorgehäuse mit Hilfe eines feuchten Tuches. Verwenden Sie keine scheuernden Reinigungsmittel oder Reinigungsmittel auf Lösungsmittelbasis.
- ◆ Reinigen Sie regelmäßig das Bohrfutter, indem Sie es öffnen und durch leichtes Klopfen Staub aus dem Inneren des Bohrfutters entfernen.

UMWELTSCHUTZ

Geräte



Falls Sie Ihr Gerät eines Tages ersetzen möchten oder keine Verwendung mehr dafür haben, denken Sie bitte an den Umweltschutz. Black & Decker nimmt Ihre Black & Decker Altgeräte gern zurück und sorgt für eine umweltfreundliche Entsorgung.

Akkus



Black & Decker Akkus lassen sich viele Male wiederaufladen. Am Ende des technischen Lebens ist der Akku mit Rücksicht auf die Umwelt und fachgerecht zu entsorgen:

- ◆ Entladen Sie den Akku vollständig und entfernen Sie ihn vom Gerät.
- ◆ NiMH- und NiCd-Akkus sind wiederverwertbar. Zur Wiederverwertung oder umweltverträglichen Entsorgung sind sie bei Ihrem Händler oder einer kommunalen Sammelstelle abzugeben. Auf keinen Fall dürfen Akkus über den Hausmüll entsorgt werden.

Garantie

Black & Decker vertraut auf die Qualität der eigenen Geräte und bietet dem Käufer eine außergewöhnliche Garantie. Diese Garantiezusage versteht sich unbeschadet der gesetzlichen Gewährleistungsansprüche und schränkt diese keinesfalls ein. Sie gilt in sämtlichen Mitgliedsstaaten der Europäischen Union und der Europäischen Freihandelszone EFTA.

Tritt innerhalb von 24 Monaten ab Kaufdatum an einem Gerät von Black & Decker ein auf Material- oder Verarbeitungsfehler zurückzuführender Mangel auf, garantiert Black & Decker den Austausch defekter Teile, die Reparatur von Geräten mit üblichem Verschleiß bzw. den Austausch eines mangelhaften Geräts, ohne den Kunden dabei mehr als unbedingt nötig in Anspruch zu nehmen, allerdings vorbehaltlich folgender Ausnahmen:

- ◆ wenn das Gerät gewerblich, beruflich oder im Verleihgeschäft benutzt wurde;
- ◆ wenn das Gerät mißbräuchlich verwendet oder mit mangelnder Sorgfalt behandelt wurde;
- ◆ wenn das Gerät durch irgendwelche Fremdeinwirkung beschädigt wurde;
- ◆ wenn ein unbefugter Reparaturversuch durch anderes Personal als das einer Vertragswerkstatt oder des Black & Decker-Kundendienstes unternommen wurde.

Zur Inanspruchnahme dieser Garantie ist dem Verkäufer bzw. der Vertragswerkstatt ein Kaufnachweis vorzulegen. Der Kaufnachweis muß Kaufdatum und Gerätetyp bescheinigen. Die Adresse des zuständigen Büros von Black & Decker steht in dieser Anleitung, darüber läßt sich die nächstgelegene Vertragswerkstatt ermitteln. Außerdem ist eine Liste der Vertragswerkstätten und aller Kundendienststellen von Black & Decker sowie der zuständigen Ansprechpartner im Internet zu finden unter: **www.2helpU.com**

Bitte besuchen Sie unsere Webseite **www.blackanddecker.de**, um Ihr neues Black & Decker Produkt zu registrieren und über neue Produkte und Sonderangebote aktuell informiert zu werden. Weitere Informationen über die Marke Black & Decker und unsere Produkte finden Sie unter **www.blackanddecker.de**

PERCEUSE / TOURNEVIS SANS FIL

HP126FSC/HP126F2K/HP128F2K/ HP146F2K/HP148F2K/HP188F2K

FELICITATIONS !

Vous avez choisi un outil Black & Decker.
Notre but est de fournir des outils de qualité au juste prix. Nous espérons que vous profiterez de cet outil pendant longtemps.



Colin Wills Director of Engineering
BDCI, 4/F, 2 Dai Wang Street
Tai Po Industrial Estate
Tai Po NT, Hong Kong

DECLARATION DE CONFORMITE CE



HP126FSC/HP126F2K/HP128F2K/
HP146F2K/HP148F2K/HP188F2K
Black & Decker déclare que ces outils sont conformes aux normes:
98/37/CEE, 89/336/CEE, 73/23/CEE,
EN 50260, EN 55014, EN 60335, EN 61000

Niveau de pression acoustique, mesuré suivant la norme EN 50260:

	HP126FSC	HP126F2K	HP128F2K
L_{pA} (pression acoustique) dB(A)	70	70	81
L_{WA} (puissance acoustique) dB(A)	83	83	94

	HP146F2K	HP148F2K	HP188F2K
L_{pA} (pression acoustique) dB(A)	81	81	86,5
L_{WA} (puissance acoustique) dB(A)	94	94	99,5



Prendre les mesures nécessaires pour la protection de l'ouïe lorsque le niveau de pression acoustique est supérieur à 85 dB(A).

Niveau de vibration main/bras selon la norme EN 50260:

HP126FSC	HP126F2K	HP128F2K
< 2,5 m/s ²	< 2,5 m/s ²	5,6 m/s ²

HP146F2K	HP148F2K	HP188F2K
< 2,5 m/s ²	5,6 m/s ²	7,3 m/s ²

UTILISATION PREVUE

Votre perceuse / tournevis Black & Decker HP126F/HP146F2 a été conçue pour la pose de vis et pour le perçage du bois, du métal et des matières plastiques.

Votre perceuse / tournevis Black & Decker HP148F2/HP188F2 a été conçue pour la pose de vis et pour le perçage du bois, du métal, des matières plastiques et de la maçonnerie légère. Cet outil a été conçu pour une utilisation exclusivement domestique.

Votre chargeur Black & Decker a été conçu pour le chargement de batteries Black & Decker identiques à celles fournies avec cet outil.

INSTRUCTIONS DE SECURITE

Symboles de prévention

Les symboles suivants sont utilisés dans le présent manuel:



Risque de blessure, danger de mort ou risque de dégradation de l'outil en cas de non-respect des instructions du présent manuel.



Risque d'électrocution.



Lire le manuel avant d'utiliser l'outil.



Risque d'incendie.

Connaissez votre outil



- ◆ **Attention!** Lors de l'utilisation d'outils sans fil, observez les consignes de sécurité fondamentales, y compris celles qui suivent afin de réduire les risques d'incendie, de fuite de batteries, de blessures et de dommage matériel.
- ◆ Lisez et observez attentivement les instructions avant d'utiliser l'outil.
- ◆ Avant d'utiliser l'outil, assurez-vous de savoir comment mettre votre outil à l'arrêt en cas d'urgence.
- ◆ Conservez ces instructions.

Généralités

1. Tenez votre aire de travail propre et bien rangée

Le désordre augmente les risques d'accident.

2. Tenez compte des conditions ambiantes

N'exposez pas l'outil à la pluie. N'exposez pas l'outil à l'humidité. Veillez à ce que l'aire de travail soit bien éclairée. N'utilisez pas l'outil s'il existe un risque d'incendie ou d'explosion, par exemple en présence de liquides ou de gaz inflammables.

3. Tenez les enfants éloignés

Ne laissez pas les enfants, les visiteurs ou les animaux s'approcher de l'aire de travail ou toucher l'outil.

4. Portez des vêtements de travail appropriés

Ne pas porter de vêtements flottants ou de bijoux. Ils pourraient être happés par les pièces en mouvement. Lors de travaux à l'extérieur, il est recommandé de porter des gants en caoutchouc et des chaussures à semelle antidérapante. Le cas échéant, attachez vos cheveux s'ils sont longs, ou couvrez vous la tête.

5. Protection

Portez toujours des lunettes de protection. Portez des lunettes de protection et un masque pour protéger le visage si le travail exécuté produit de la poussière ou des copeaux volants.

Portez des protections auditives lorsque le niveau sonore semble gênant.

6. Adoptez une position confortable

Toujours tenir les deux pieds à terre et garder l'équilibre.

7. Faites preuve de vigilance

Observez votre travail. Faites preuve de bon sens. Ne pas employer l'outil en cas de fatigue.

8. Fixez bien la pièce à travailler

Pour plus de sécurité, fixez la pièce à travailler avec un dispositif de serrage ou un étau. Ainsi, vous aurez les deux mains libres pour manier l'outil.

9. Branchez le dispositif d'extraction de poussière.

Si vous disposez de systèmes pour brancher les dispositifs d'extraction et de ramassage de poussière, assurez-vous qu'ils sont bien branchés et qu'ils fonctionnent correctement.

10. Enlevez les clés et outils de réglage

Avant de mettre l'outil en marche, retirez les clés et outils de réglage.

11. Utilisez l'outil adéquat

Le domaine d'utilisation de l'outil est décrit dans le présent manuel. Ne pas utiliser d'outils ou d'accessoires de trop faible puissance pour exécuter des travaux lourds. L'utilisation d'accessoires autres que ceux recommandés dans le présent manuel pourrait entraîner un risque de blessure. Ne forcez pas l'outil.

Attention! L'utilisation d'accessoires autres que ceux recommandés dans le présent manuel pourrait entraîner un risque de blessure.

12. Contrôlez les dommages éventuels de votre outil

Avant d'utiliser l'outil, vérifiez soigneusement qu'il n'est pas endommagé. Vérifiez l'alignement des pièces en mouvement, leur prise et toute rupture de pièces, tout dommage des protections et des interrupteurs et toute autre condition pouvant affecter le fonctionnement de l'outil. Veillez à ce que l'outil fonctionne correctement et qu'il exécute les tâches pour lesquelles il est prévu. N'utilisez pas l'outil si une pièce est défectueuse. Ne pas utiliser l'outil si l'interrupteur marche/arrêt ne fonctionne pas. Faites réparer ou échangez toute pièce endommagée par un service de réparation agréé. Ne tentez jamais de le réparer vous-même.

13. Enlevez la batterie

Le cas échéant, enlevez la batterie lorsque l'outil n'est pas utilisé, avant de changer toute pièce de l'outil ou tout accessoire et avant de procéder à l'entretien.

14. Évitez tout démarrage involontaire

Ne portez pas l'outil avec un doigt sur l'interrupteur marche/arrêt. Veillez à ce que l'outil soit débranché lorsque vous y insérez la pile.

15. Ne tirez pas sur le câble d'alimentation

Ne portez jamais le chargeur par le câble et ne tirez pas sur celui-ci pour le débrancher de la prise. Préservez le câble de la chaleur, de l'huile et des arêtes tranchantes.

16. Rangez vos outils dans un endroit sûr

Rangez les outils, batteries et chargeurs non utilisés dans un endroit sec, élevé et fermé, hors de portée des enfants.

17. Entretenez vos outils avec soin

Maintenez vos outils affûtés et propres afin de travailler mieux et plus sûrement. Suivez les instructions d'entretien et de changement d'accessoires. Maintenez les poignées et les interrupteurs secs, propres et exempts d'huile et de graisse.

18. Réparations

Cet outil est conforme aux conditions de sécurité requises. Les réparations devront uniquement être effectuées par des personnes qualifiées utilisant des pièces de rechange d'origine ; en cas contraire, cela pourrait être très dangereux pour l'utilisateur.

Instructions de sécurité supplémentaires pour les batteries et chargeurs

Batteries

- ◆ Ne tentez jamais de l'ouvrir pour quelque raison que ce soit.
- ◆ Ne la mettez pas en contact avec de l'eau.
- ◆ Ne la stockez pas à un endroit où la température peut être supérieure à 40 °C.
- ◆ Chargez uniquement à température ambiante entre 4 °C et 40 °C.
- ◆ Chargez uniquement en utilisant le chargeur fourni avec l'outil (voir caractéristiques techniques).

- ◆ Avant le chargement, veillez à ce que la batterie soit sèche et propre.
- ◆ Utilisez uniquement le type de batterie approprié à l'outil (voir caractéristiques techniques).
- ◆ Lorsque vous jetez des batteries, suivez les instructions données à la section "Protection de l'environnement".
- ◆ Dans des conditions extrêmes, la batterie peut fuir. Si vous remarquez que la batterie a coulé, procédez comme suit:
 - Nettoyez soigneusement le liquide à l'aide d'un chiffon. Évitez le contact avec la peau.
 - En cas de contact avec la peau ou les yeux, suivez les instructions ci-dessous.



Le liquide de la batterie, une solution d'hydroxyde de potassium à 25-30%, est toxique. En cas de contact avec la peau, rincer abondamment à l'eau. Neutraliser avec un acide doux tel que du citron ou du vinaigre. En cas de contact avec les yeux, rincer abondamment à l'eau au moins pendant 10 minutes. Consulter un médecin.



Risque d'incendie! Éviter toute possibilité de court-circuit au niveau des contacts d'une batterie (exemple: porter des clés dans la même poche qu'une batterie).



Ne pas incinérer la batterie.



Ne pas charger une batterie endommagée.

Chargeurs

- ◆ Utilisez uniquement votre chargeur Black & Decker pour charger les batteries fournies avec votre outil ou de même type et modèle. D'autres batteries pourraient exploser et causer des dommages ou blessures.
- ◆ Ne tentez jamais de charger des batteries non rechargeables.
- ◆ Remplacez immédiatement les fils électriques défectueux.

- ◆ Ne mettez pas le chargeur en contact avec de l'eau.
- ◆ N'ouvrez pas le chargeur.
- ◆ Ne testez pas le chargeur.



Conçu pour une utilisation à l'intérieur uniquement.

Instructions de sécurité supplémentaires pour perceuses / visseuses

- ◆ Avant de percer les murs, les planchers ou les plafonds, vérifiez l'emplacement des fils électriques et des tuyaux.
- ◆ Evitez de toucher l'extrémité d'un foret juste après avoir percer car il peut être chaud.

SECURITE ELECTRIQUE

Vérifiez si la tension du chargeur correspond à la tension secteur.



Ce chargeur à double isolation est conforme à la norme EN 60335; un branchement à la terre n'est donc pas nécessaire.

CH

Toujours utiliser la fiche prescrite lors du remplacement du câble d'alimentation.
Type 11 pour la classe II - isolation double

Câbles de rallonge

Ne pas utiliser de câble de rallonge sauf en cas de nécessité absolue. Utilisez un câble de rallonge, homologué et adapté pour la puissance absorbée de votre chargeur (voir la plaque d'identification). La section minimum du conducteur est de 1 mm² et la longueur maximum est de 30 m.

APERÇU (fig. A)

1. Interrupteur à variateur de vitesse
2. Sélecteur de rotation droite / gauche
3. Sélecteur de mode / bague de réglage du couple
4. Mandrin
5. Sélecteur à deux vitesses
6. Voyant de charge de la batterie (HP128F2/HP148F2/HP188F2)
7. Support de foret
8. Poignée latérale (HP188F2)
9. Batterie
10. Bouton de déclenchement de la batterie

11. Chargeur
12. Voyant de charge
13. Voyant de fin de charge

ASSEMBLAGE

Mise en place et retrait de la batterie (fig. B)

- ◆ Pour mettre la batterie en place (9), alignez-la avec le boîtier sur l'outil. Faites glisser la batterie dans le boîtier et poussez jusqu'à ce qu'elle se mette en place avec un bruit sec.
- ◆ Pour retirer la batterie, appuyez sur les deux boutons de déclenchement (10) tout en retirant la batterie du boîtier.

Installation et retrait d'un foret de perçage ou de vissage (fig. A et C)

Cet outil est équipé d'un mandrin sans clef pour vous permettre de changer les pointes plus rapidement.

- ◆ Verrouillez l'outil en réglant le sélecteur de rotation droite / gauche (2) sur la position centrale (fig. A).
- ◆ Ouvrez le mandrin en faisant tourner la partie avant (15) d'une main tout en tenant la partie arrière (16) de l'autre main (fig. C).
- ◆ Insérez la tige du foret (17) dans le mandrin.
- ◆ Serrez fermement le mandrin en faisant tourner la partie avant (15) d'une main tout en tenant la partie arrière (16) de l'autre.

Cet outil est livré avec un double embout de vissage dans le support de foret (7) (fig. A).

- ◆ Pour retirer le double embout de vissage du support d'embout, soulevez l'embout de sa cavité.
- ◆ Pour remettre l'embout en place, poussez-le fermement dans le support.

HP126F2/HP146F2 -

Montage et retrait du mandrin (fig. D)

Le mandrin de ces modèles peut être facilement mis en place et démonté. Lorsque vous souhaitez à la fois percer et visser, placez un embout de tournevis sur l'arbre et une mèche de perceuse dans le mandrin : vous n'aurez alors qu'à enlever le mandrin pour visser et à le remplacer pour percer. L'embout de tournevis peut rester installé sur l'arbre pendant le perçage.

Vous pouvez aussi installer des mèches de perçage avec arbre hexagonal de cette manière.

- ◆ Pour enlever le mandrin (4), enfoncez les languettes de déblocage (18) et extrayez le mandrin de l'arbre (19).
- ◆ Installez un embout de tournevis (20) en l'enfonçant dans l'arbre (19) comme indiqué. Pour enlever l'embout de tournevis, tirez sur la bague (21) et extrayez l'embout de tournevis de l'arbre.
- ◆ Pour remplacer le mandrin, enfoncez-le sur l'arbre jusqu'à ce qu'il soit bloqué.



Contrôlez à tout moment que le mandrin est bien fermement fixé.

HP188F2 -

Montage de la poignée latérale (fig. A)

- ◆ Relâchez la poignée latérale (8) en la faisant tourner dans le sens inverse des aiguilles d'une montre.
- ◆ Faites glisser la poignée latérale sur l'arbre et sur le carter.
- ◆ Serrez la poignée latérale en la faisant tourner dans le sens des aiguilles d'une montre.

UTILISATION



Laissez l'outil fonctionner à sa propre vitesse. Ne le surchargez pas.

Chargement de la batterie (fig. E)

La batterie a besoin d'être chargée avant la première utilisation et à chaque fois qu'elle ne produit pas une puissance suffisante pour des travaux facilement effectués auparavant. Une nouvelle batterie ou une batterie n'ayant pas été utilisée depuis longtemps atteint son niveau de performance optimal après environ 5 cycles de charge et de décharge. La batterie peut chauffer pendant le chargement ; cela est normal et n'indique pas de problème particulier.



Ne chargez pas la batterie à une température ambiante inférieure à 4 °C ou supérieure à 40 °C. Température de chargement recommandée : environ 24 °C.

Après une utilisation normale, la batterie doit être mise en charge pendant environ 60 minutes pour pouvoir être utilisée dans la plupart des applications.

Toutefois, un temps de charge de 90 minutes peut accroître considérablement la durée d'utilisation, en fonction de la batterie et des conditions de charge.

- ◆ Pour charger la batterie (9), retirez-la de l'outil et insérez-la dans le chargeur (11). La batterie ne rentrera dans le chargeur que d'une seule façon. Ne forcez pas. Assurez-vous que la batterie est complètement enclenchée dans le chargeur.
- ◆ Branchez le chargeur.
- ◆ Vérifiez si le voyant rouge de charge (12) s'allume. Si le voyant vert indicateur de fin de charge (13) s'allume maintenant à sa place, la batterie est trop chaude et ne peut être chargée. Si c'était le cas, enlevez la batterie du chargeur, laissez-la refroidir pendant 1 heure environ et réinsérez-la.

Après environ 1 heure de charge, le voyant rouge de charge (12) s'éteindra et le voyant vert indicateur de fin de charge (13) s'allumera.

La batterie est maintenant complètement chargée.

- ◆ Enlevez-la du chargeur.

HP128F2/HP148F2/HP188F2 -

Vérification de l'état de la batterie (fig. F)

Cet outil est équipé d'un voyant de charge de batterie qui permet de vérifier l'état de la batterie.

- ◆ Appuyez sur le bouton et maintenez-le enfoncé (22).
- ◆ Vérifiez le nombre de points lumineux (23)

	Charge de la batterie
1 point lumineux	basse
2 points lumineux	moyenne
3 points lumineux	haute

Sélection du sens de rotation (fig. G)



Pour le perçage et le serrage des vis, utilisez la rotation vers l'avant (dans le sens des aiguilles d'une montre). Pour desserrer les vis ou enlever un foret de perçage coincé, utilisez la rotation vers l'arrière (dans le sens inverse des aiguilles d'une montre).

- ◆ Pour sélectionner la rotation vers l'avant, poussez le sélecteur de rotation droite / gauche (2) vers la gauche.
- ◆ Pour sélectionner la rotation vers l'arrière, poussez le sélecteur de rotation droite / gauche vers la droite.

- ◆ Pour verrouiller l'outil, réglez le sélecteur de rotation droite / gauche sur la position centrale.

Sélection du mode de fonctionnement ou serrage (fig. H)

Cet outil est muni d'une bague servant à régler le mode de fonctionnement et le couple de serrage des vis. Les grosses vis et les matières d'œuvre rigides nécessitent un couple de serrage plus grand que les petites vis et les matières d'œuvre peu rigides. La bague possède une large gamme de réglages de manière à pouvoir répondre à vos besoins.

- ◆ Pour le perçage du bois, du métal et du plastique, placez la bague (3) sur la position de perçage en alignant le symbole  avec la marque (24).
- ◆ HP148F2/HP188F2:
Pour le perçage de la maçonnerie, réglez la bague (3) sur la position de perçage à percussion en alignant le symbole  avec la marque (24).
- ◆ Pour le vissage, réglez la bague à la position désirée. Si vous ne connaissez pas encore le bon réglage, procédez comme suit :
- ◆ Placez la bague (3) au réglage de couple le plus bas.
 - ◆ Serrez la première vis.
 - ◆ Si l'embrayage fait "clic" avant d'avoir obtenu le résultat désiré, augmentez le réglage de la bague et continuez à serrer la vis. Répétez jusqu'à obtenir le bon réglage. Utilisez ce réglage pour les vis restantes.

Sélecteur à deux vitesses (fig I)

- ◆ Pour le perçage de l'acier et la pose de vis, glissez le sélecteur à deux vitesses (5) vers l'avant de l'outil (première vitesse).
- ◆ Pour le perçage de matières autres que l'acier, glissez le sélecteur à deux vitesses (5) vers l'arrière de l'outil (deuxième vitesse).

Perçage / vissage (fig. A)

- ◆ Sélectionnez la rotation vers la droite ou la gauche à l'aide du sélecteur de rotation droite / gauche (2).
- ◆ Pour mettre l'outil en fonction, appuyez sur l'interrupteur de vitesse variable (1). La vitesse de l'outil dépend de la façon dont vous appuyez sur l'interrupteur.
- ◆ Relâchez l'interrupteur pour mettre l'outil hors fonction.

Conseils pour une utilisation optimale

Perçage

- ◆ Appliquez toujours une pression légère en ligne droite avec le foret de perçage.
- ◆ Juste avant que le foret de perçage ne passe de l'autre côté de la pièce, diminuez la pression sur l'outil.
- ◆ Utilisez un bloc de bois pour protéger les pièces pouvant se briser.
- ◆ Utilisez des mèches à bois lorsque vous percez des trous d'un large diamètre dans du bois.
- ◆ Utilisez des forets de perçage HSS lorsque vous percez du métal.
- ◆ Utilisez des forets de maçonnerie lorsque vous percez des pièces de maçonnerie légères.
- ◆ Utilisez un lubrifiant lorsque vous percez des métaux autres que de la fonte et du laiton.
- ◆ Faites une entaille à l'aide d'une contrepointe de centrage au centre du trou à percer afin d'améliorer la précision

Vissage

- ◆ Utilisez toujours le bon type et la bonne taille d'embout de tournevis.
- ◆ Si les vis sont difficiles à serrer, essayez d'appliquer un petit peu de liquide vaisselle ou de savon en tant que lubrifiant.
- ◆ Tenez toujours l'outil et l'embout de tournevis en ligne droite par rapport à la vis.

ENTRETIEN

Votre outil Black & Decker a été conçu pour fonctionner pendant longtemps avec un minimum d'entretien. Un fonctionnement continu satisfaisant dépend d'un nettoyage régulier et d'un entretien de l'outil approprié. Votre chargeur ne nécessite aucun entretien autre qu'un nettoyage régulier.



Avant de procéder à tout entretien de l'outil, retirez la batterie.

- ◆ Débranchez le chargeur avant de le nettoyer.
- ◆ Nettoyez régulièrement les orifices de ventilation de votre outil et le chargeur à l'aide d'une brosse douce ou d'un chiffon sec.

- ◆ Nettoyez régulièrement le carter du moteur à l'aide d'un chiffon humide. N'utilisez pas de produit abrasif ou à base de solvant.
- ◆ Ouvrez régulièrement le mandrin et tapotez dessus pour retirer toute poussière à l'intérieur.

PROTECTION DE L'ENVIRONNEMENT

Outils



Si vous décidez de remplacer votre outil, ou si vous n'en avez plus l'utilité, pensez à la protection de l'environnement avant de le jeter. Les services agréés Black & Decker reprennent tous les anciens outils Black & Decker et s'assurent qu'ils seront détruits en respectant l'environnement.

Batteries



Les batteries Black & Decker peuvent être rechargées de nombreuses fois. A la fin de leur durée de vie, jetez les batteries en respectant l'environnement :

- ◆ Videz complètement la batterie, puis retirez-la de l'outil.
- ◆ Les batteries NiCd et NiMH sont recyclables. Apportez-les à votre distributeur ou à un centre de recyclage local. Les batteries récupérées seront recyclées ou jetées proprement.

Caractéristiques techniques

		HP126F5C	HP126F2K	HP128F2K
Voltage	V_{DC}	12	12	12
Vitesse à vide	min^{-1}	0-400/0-1.200	0-400/0-1.200	0-400/0-1.200
Couple max.	Nm	20,2	20,2	20,2
Capacité mandrin	mm	10	10	10
Capacité de perçage max. dans l'acier / le bois / la maçonnerie	mm	10/25/-	10/25/-	10/25/12
Assistance technique no.batterie		A12F	A1712	A1712
Ampérage	Ah	1,5	1,7	1,7
Poids (sans batterie)	kg	1,3	1,3	1,2

		HP146F2K	HP148F2K	HP188F2K
Voltage	V_{DC}	14,4	14,4	18
Vitesse à vide	min^{-1}	0-300/0-1.100	0-300/0-1.100	0-500/0-1.600
Couple max.	Nm	22,1	22,1	29,4
Capacité mandrin	mm	10	13	13
Capacité de perçage max. dans l'acier / le bois / la maçonnerie	mm	10/30/-	13/30/12	13/35/15
Assistance technique no.batterie		A1714	A1714	A1718
Ampérage	Ah	1,7	1,7	1,7
Poids (sans batterie)	kg	1,3	1,4	1,4

Chargeur

Tension secteur	V_{AC}	230
Temps de chargement approx.	h	1

Garantie

Black & Decker est confiant dans la qualité de ses produits et vous offre une garantie très étendue. Ce certificat de garantie est un document supplémentaire et ne peut en aucun cas se substituer à vos droits légaux. La garantie est valable sur tout le territoire des Etats Membres de l'Union Européenne et de la Zone de Libre Echange Européenne.

Si un produit Black & Decker s'avère défectueux en raison de matériaux en mauvaises conditions, d'une erreur humaine, ou d'un manque de conformité dans les 24 mois suivant la date d'achat, Black & Decker garantit le remplacement des pièces défectueuses, la réparation des produits usés ou cassés ou remplace ces produits à la convenance du client, sauf dans les circonstances suivantes :

- ◆ Le produit a été utilisé dans un but commercial, professionnel, ou a été loué.
- ◆ Le produit a été mal utilisé ou avec négligence.
- ◆ Le produit a subi des dommages à cause d'objets étrangers, de substances ou à cause d'accidents.
- ◆ Des réparations ont été tentées par des techniciens ne faisant pas partie du service technique de Black & Decker.

Pour avoir recours à la garantie, il est nécessaire de fournir une preuve d'achat au vendeur ou à un réparateur agréé. Pour connaître l'adresse du réparateur agréé le plus proche de chez vous, contactez le bureau Black & Decker à l'adresse indiquée dans ce manuel. Vous pourrez aussi trouver une liste des réparateurs agréés de Black & Decker et de plus amples détails sur notre service après-vente sur le site Internet à l'adresse suivante : **www.2helpU.com**

Visitez notre site Web **www.blackanddecker.fr** pour enregistrer votre nouveau produit Black & Decker et être informé des nouveaux produits et des offres spéciales. Pour plus d'informations concernant la marque Black & Decker et notre gamme de produits, consultez notre site **www.blackanddecker.fr**

TRAPANO / CACCIAVITE A BATTERIA

HP126FSC/HP126F2K/HP128F2K/ HP146F2K/HP148F2K/HP188F2K

CONGRATULAZIONI!

Lei ha scelto un utensile Black & Decker. Il nostro obiettivo è fornire utensili di qualità ad un prezzo contenuto. Desideriamo che questo utensile sia di suo gradimento e lo possa usare per molti anni.

DICHIARAZIONE CE DI CONFORMITÀ



HP126FSC/HP126F2K/HP128F2K/
HP146F2K/HP148F2K/HP188F2K

Black & Decker dichiara che questi utensili sono stati costruiti in conformità a:
98/37/CEE, 89/336/CEE, 73/23/CEE,
EN 50260, EN 55014, EN 60335, EN 61000

Livello di rumorosità, dati ricavati in base alla norma EN 50260:

		HP126FSC	HP126F2K	HP128F2K
L_{pA} (rumorosità)	dB(A)	70	70	81
L_{WA} (potenza sonora)	dB(A)	83	83	94

		HP146F2K	HP148F2K	HP188F2K
L_{pA} (rumorosità)	dB(A)	81	81	86,5
L_{WA} (potenza sonora)	dB(A)	94	94	99,5



Prendere appropriate misure a protezione dell'udito qualora il livello acustico superasse gli 85 dB(A).

Il valore medio quadratico ponderato dell'accelerazione secondo EN 50260:

HP126FSC	HP126F2K	HP128F2K
< 2,5 m/s ²	< 2,5 m/s ²	5,6 m/s ²
HP146F2K	HP148F2K	HP188F2K
< 2,5 m/s ²	5,6 m/s ²	7,3 m/s ²

Colin Wills

Director of Engineering
BDCI, 4/F, 2 Dai Wang Street
Tai Po Industrial Estate
Tai Po NT, Hong Kong

USO PROGETTATO

Il trapano / cacciavite Black & Decker HP126F2/HP146F2 è stato progettato per inserire ed estrarre viti e perforare legno, metalli e plastica. Il trapano / cacciavite Black & Decker HP148F2/HP188F2 è stato progettato per inserire ed estrarre viti e perforare legno, metalli, plastica e muratura.

L'utensile è stato progettato per un uso individuale.

Il vostro caricabatteria Black & Decker è stato progettato per caricare batterie Black and Decker del tipo fornito con questo utensile.

ISTRUZIONI DI SICUREZZA

Simboli di sicurezza

I seguenti simboli vengono usati nel presente manuale:



Indica rischio di infortunio, pericolo di morte o danno all'apparecchio qualora non ci si attenga alle istruzioni contenute nel presente manuale.



Indica pericolo di scossa elettrica.



Leggere attentamente il manuale prima di utilizzare l'utensile.



Pericolo d'incendio.

Conoscere l'utensile



- ◆ **Attenzione!** Quando si adoperano utensili a batteria, per ridurre il rischio di incendi, fuoriuscita di liquido dalle batterie, danni personali e materiali, è necessario osservare alcune precauzioni di sicurezza fondamentali, incluso le seguenti.
 - ◆ Prima di adoperare l'utensile, leggere attentamente le istruzioni di cui al presente manuale.
 - ◆ Prima di far funzionare l'utensile, assicuratevi di conoscere come spegnere l'utensile in caso di emergenza.
 - ◆ Conservare questo manuale di istruzioni per successive consultazioni.

Norme generali

1. Tenere pulita l'area di lavoro

Ambienti e banchi di lavoro in disordine possono essere causa d'incidenti.

2. Tener presenti le caratteristiche dell'ambiente di lavoro

Non lasciare l'utensile sotto la pioggia. Non usare l'utensile in ambienti carichi di umidità. Tenere ben illuminata l'area di lavoro. Non usare l'utensile quando vi sia rischio di provocare un incendio o una esplosione, per es. in luoghi con atmosfera gassosa o infiammabile.

3. Tenere i bambini lontani dall'area di lavoro

Non permettere ai bambini, ad altre persone o ad animali di avvicinarsi alla zona di lavoro o di toccare l'utensile.

4. Usare il vestiario appropriato

Evitare l'uso di abiti svolazzanti, catenine, ecc. in quanto potrebbero rimanere impigliati nelle parti mobili dell'utensile. Lavorando all'aperto indossare guanti di gomma e scarpe con suole antidrucciolo. Raccogliere i capelli se si portano lunghi.

5. Protezione personale

Indossate occhiali di sicurezza. Indossate una mascherina contro la polvere ogni volta che l'uso dell'utensile provochi polvere o schegge. Indossate cuffie acustiche quando consideriate che il livello acustico sia troppo alto.

6. Non sbilanciarsi

Mantenere sempre un buon equilibrio evitando posizioni malsicure.

7. Stare sempre attenti

Prestare attenzione a quanto si sta facendo. Usare il proprio buon senso. Non utilizzare l'utensile quando si è stanchi.

8. Bloccare il pezzo da lavorare

Usare pinze o morse per bloccare il pezzo da lavorare. Ciò aumenta la sicurezza e consente di mantenere entrambe le mani libere per operare meglio.

9. Connettere l'apparecchiatura aspirapolvere

Se sono forniti i dispositivi per la connessione delle macchine per l'aspirazione e la raccolta della polvere, verificare che vengano collegate e utilizzate correttamente.

10. Non lasciare sull'utensile chiavi o strumenti di misura

Prima di mettere in funzione l'utensile abbiate cura di togliere chiavi e altri strumenti.

11. Adoperare l'utensile adatto alla situazione

L'utilizzo previsto è quello indicato nel presente manuale. Non forzare utensili e accessori di potenza limitata impiegandoli per lavori destinati ad utensili di maggiore potenza. Non forzare l'utensile.

Attenzione! L'uso di accessori o attrezzature diversi o l'impiego del presente utensile per scopi diversi da quelli indicati nel presente manuale d'uso comportano il rischio di infortuni.

12. Controllare che non vi siano parti danneggiate

Prima dell'uso, controllare che l'utensile non presenti danni. Controllare se ci sono parti non allineate o parti mobili con gioco, pezzi rotti, danni alle protezioni o agli interruttori e qualsiasi altra condizione che possa incidere sul funzionamento dell'utensile. Accertare che l'utensile funzioni come previsto e che venga impiegato per lo scopo per cui è stato progettato. Non usate l'utensile se presenta elementi danneggiati o difettosi.

Non impiegare l'utensile se non è possibile accenderlo e spegnerlo mediante l'interruttore. Eventuali componenti difettosi o danneggiati vanno sostituiti o riparati da un tecnico autorizzato.

Non tentare mai di effettuare delle riparazioni.

13. Estrarre la batteria

Togliere la batteria quando l'utensile non è in uso, o prima di cambiare pezzi, accessori o complementi o prima di eseguire lavori di manutenzione.

14. Evitate di avviare l'utensile quando non è necessario

Non portate l'utensile con il dito sull'interruttore. Assicuratevi che l'utensile sia spento quando inserite le batterie nell'utensile.

15. Non forzate il cavo di collegamento elettrico

Non usate il cavo elettrico del carica batterie per muoverlo e non tirate il cavo per scollegarlo dalla presa. Mantenete il cavo lontano da fonti di calore, olio e spigoli taglienti.

16. Conservazione dell'utensile dopo l'uso

Quando non è in uso, l'utensile, le batterie e i caricabatterie devono essere riposti in un luogo asciutto e fuori dalla portata dei bambini.

17. Mantenere l'utensile con cura

Mantenere gli utensili da taglio affilati e puliti in modo da ottenere una miglior e più sicura resa. Seguire le istruzioni di manutenzione e cambio di accessori. Mantenere le impugnature e gli interruttori asciutti, puliti e senza tracce di olio o grassi.

18. Riparazioni

Questo utensile è conforme ai relativi requisiti di sicurezza. Le riparazioni devono essere eseguite soltanto da personale qualificato e con pezzi di ricambio originali, per evitare di esporre gli utenti a considerevoli rischi.

Istruzioni di sicurezza aggiuntive per batterie e caricabatteria

Batterie

- ◆ Non tentate di aprirle in nessuna circostanza.
- ◆ Non fatele bagnare.
- ◆ Non riponetele in luoghi dove la temperatura possa oltrepassare i 40° C.

- ◆ Caricatele solo ad una temperatura ambientale compresa tra i 4° C ed i 40° C.
- ◆ Caricate la batteria usando soltanto il caricabatteria fornito con l'utensile (vedete i dati tecnici).
- ◆ Prima di caricare la batteria assicuratevi che sia pulita ed asciutta.
- ◆ Usate soltanto il tipo adeguato di batteria per l'utensile (vedete i dati tecnici).
- ◆ Prima di gettare le batterie esaurite, vi preghiamo di leggere le istruzioni specificate nella sezione "Protezione dell'ambiente".
- ◆ In condizioni estreme, la batteria può perdere liquido. Nel caso doveste notare la presenza di liquido sulla batteria, procedere come di seguito specificato:
 - Asciugate il liquido con un panno. Evitate il contatto con la pelle.
 - In caso di contatto con la pelle o con gli occhi, seguite le istruzioni di seguito riportate.



Il liquido delle batterie, una soluzione al 25-30% di idrossido di potassio, può essere pericoloso. In caso di contatto con la pelle, lavare immediatamente con abbondante acqua, quindi neutralizzarne l'azione con una soluzione leggermente acida come succo di limone o aceto. In caso di contatto con gli occhi, risciacquare abbondantemente con acqua pulita per 10 minuti almeno. Rivolgersi a un medico.



Pericolo d'incendio! Evitare di mettere in cortocircuito i contatti della batteria rimossa con oggetti metallici (ad es. con un mazzo di chiavi tenute nello stesso scomparto insieme alla batteria).



Non incenerire la batteria.



Non caricate batterie danneggiate.

Caricabatteria

- ◆ Usate il vostro caricabatteria Black & Decker per caricare le batterie fornite con il vostro utensile.

Altri tipi di batterie potrebbero esplodere, provocando danni personali e materiali.

- ◆ Non tentate mai di ricaricare una batteria non ricaricabile.
- ◆ Cambiate immediatamente i cavi difettosi.
- ◆ Fate attenzione a non bagnare il caricabatteria.
- ◆ Non aprite il caricabatteria.
- ◆ Non testare il caricabatteria.



Da usarsi soltanto in interni.

Istruzioni aggiuntive di sicurezza per trapani/avvitatori

- ◆ Prima di forare pareti, pavimenti, soffitti, verificate l'ubicazione di cavi elettrici e tubazioni.
- ◆ Evitate toccare la punta del trapano appena dopo aver forato, può essere molto calda.

SICUREZZA ELETTRICA

Assicurarsi che la tensione del caricatore corrisponda a quella erogata dalla rete.



Il caricatore è fornito di doppio isolamento, in ottemperanza alla norma EN 60335, per la quale non è richiesta la messa a terra.

- CH** Per la sostituzione del cavo di alimentazione, utilizzate sempre la spina di tipo prescritto. Tipo 11 per la classe II - doppio isolamento

Impiego di una prolunga

In caso di impiego di una prolunga, quest'ultima dovrà essere di tipo omologato, e di dimensione idonee a garantire l'alimentazione elettrica del caricatore (vedere la targhetta). La dimensione minima del conduttore è 1 mm². Se si utilizza un avvolgitore, estrarre il cavo per l'intera lunghezza.

L'INSIEME (fig. A)

1. Interruttore a velocità variabile
2. Selettore avanti/indietro
3. Selettore modo / anello di regolazione coppia di serraggio
4. Mandrino
5. Selettore a due scatti
6. Spia del caricabatteria (HP128F2/HP148F2/HP188F2)

7. Supporto punta
8. Impugnatura laterale (HP188F2)
9. Batteria
10. Pulsante di sgancio batteria
11. Caricabatteria
12. Indicatore di carica
13. Indicatore fine carica

MONTAGGIO

Inserimento ed estrazione della batteria (fig. B)

- ◆ Per alloggiare la batteria (9), allinearla alla base dell'utensile. Fare scivolare la batteria nella base fino a che non si inserisce con uno scatto.
- ◆ Per estrarre la batteria, premere il pulsante di sgancio (10) e, contemporaneamente, estrarre la batteria dalla base.

Inserimento ed estrazione di una punta per trapano o per cacciavite (fig. A & C)

L'utensile è dotato di un mandrino senza chiave che permette cambiare con facilità le punte.

- ◆ Bloccare l'utensile collocando il selettore avanti/indietro (2) nella posizione centrale (fig. A).
- ◆ Aprire il mandrino girando con una mano la parte anteriore (15) e sorreggendo con l'altra la parte posteriore (16) (fig. C).
- ◆ Inserire lo stelo della punta (17) nel mandrino.
- ◆ Serrare saldamente il mandrino, girando con una mano la parte anteriore (15) e sorreggendo la parte posteriore (16) con l'altra mano.

Questo utensile viene fornito con un cacciavite a doppia punta inserito nel supporto punta (7) (fig. A).

- ◆ Per staccare la punta del cacciavite dal supporto punta, sollevarla dalla cava.
- ◆ Per rimettere nel supporto la punta del cacciavite, premerevela con decisione.

HP126F2/HP146F2 -

Rimozione e inserimento del mandrino (fig. D)

Su questi modelli il mandrino può essere estratto e reinstallato facilmente. Quando il lavoro richiede sia l'uso del trapano che del cacciavite, inserire una punta di cacciavite nell'alberino e una punta di trapano nel mandrino: in questo modo per avvitare sarà sufficiente estrarre l'alberino e poi reinserirlo per perforare. La punta di cacciavite può restare nell'alberino mentre si usa il trapano.

In questo modo si possono installare anche delle punte di trapano con stelo esagonale.

- ◆ Per rimuovere il mandrino (4), mantenere premute le linguette di sgancio (18) e tirare il mandrino dall'alberino (19).
- ◆ Installare la punta di cacciavite (20) spingendola nell'alberino (19) come illustrato. Per asportare la punta, tirare indietro l'anello (2) ed estrarla punta dall'alberino.
- ◆ Per rimontare il mandrino, spingerlo sull'alberino sino che non si blocca in posizione.



Assicurarsi che il mandrino sia inserito saldamente.

HP188F2 -

Installazione dell'impugnatura laterale (fig. A)

- ◆ Allentare l'impugnatura laterale (8) ruotandola in senso antiorario.
- ◆ Far scivolare l'impugnatura laterale sopra il mandrino e quindi sull'alloggiamento.
- ◆ Serrare l'impugnatura laterale ruotandola in senso orario.

IMPIEGO



Lasciate che l'utensile lavori al proprio ritmo. Non sovraccaricarlo.

Carica della batteria (fig. E)

E' necessario caricare la batteria in precedenza del primo utilizzo e ogniquale volta che non eroghi la sufficiente energia per eseguire un lavoro che prima veniva eseguito con facilità. Una batteria nuova, o una batteria che non è stata usata per un lungo periodo di tempo, funziona al massimo delle prestazioni solo dopo circa 5 cicli di carica e scarica. La batteria si può riscaldare durante il processo di carica; è normale e non è indicativo di nessun problema.



Non caricate la batteria con temperatura ambiente sotto i 4° C o sopra i 40° C. La temperatura adeguata di carica è di circa 24° C.

Dopo un uso normale, 60 minuti di carica danno una potenza sufficiente per la maggior parte delle applicazioni.

Ad ogni modo, un'ulteriore carica fino a 90 minuti potrebbe aumentare considerevolmente il tempo d'utilizzo, a seconda della batteria e delle condizioni di carica.

- ◆ Per caricare la batteria (9), toglierla dall'utensile ed inserirla nel caricabatteria (11).
La batteria s'inserisce nel caricabatterie in un solo verso. Non forzarla. Accertare che la batteria sia perfettamente inserita nel caricabatteria.
 - ◆ Inserire la spina del caricabatteria.
 - ◆ Verificare se la spia rossa di carica (12) si accende. Se invece si accende la spia verde di fine carica (13), significa la batteria è troppo calda e non può essere caricata. In questo caso, togliere la batteria dal caricabatteria, farla raffreddare per circa 1 ora e poi reinserirla nel caricabatteria.
- Dopo circa 1 ora di carica, la spia rossa di carica (12) si spegne e si accende la spia verde di fine carica (13). A questo punto la batteria è completamente carica.
- ◆ Togliere la batteria dal caricabatteria.

HP128F2/HP148F2/HP188F2 -

Controllo delle condizioni della batteria (fig. F)

Questo utensile è dotato di una spia di carica della batteria che permette di controllare le condizioni della batteria.

- ◆ Premere e tenere premuto il pulsante (22).
- ◆ Controllare quante spie (23) sono accese:

	Carica della batteria
1 spia	bassa
2 spie	media
3 spie	alta

Selezione del senso di rotazione (fig. G)



Per trapanare e avvitare selezionare il senso di rotazione in avanti (senso orario). Per svitare o per togliere una punta inceppata, selezionare il senso inverso (antiorario).

- ◆ Per selezionare la rotazione in avanti, spingere il selettore avanti/indietro (2) verso sinistra.
- ◆ Per selezionare la rotazione indietro, spingere il selettore avanti/indietro a destra.

- ◆ Per bloccare l'utensile, collocare il selettore avanti/indietro nella posizione centrale.

Selezione del modo operativo o della coppia di serraggio (fig. H)

Questo utensile è dotato di un anello che permette di regolare la coppia di serraggio alla quale avvitare le viti. Viti grandi e materiali duri richiedono a viti piccole e materiali morbidi. L'anello ha un'ampia gamma di impostazioni adatte ad ogni applicazione.

- ◆ Per trapanare legno, metallo e plastica, collocare l'anello (3) nella posizione di trapanatura allineando il simbolo  alla tacca (24).
- ◆ HP148F2/HP188F2:
Per trapanare muri, collocare l'anello (3) nella posizione di trapanatura allineando il simbolo  alla tacca (24).
- ◆ Per usare l'utensile come cacciavite, collocare l'anello sull'impostazione desiderata. Se non si è ancora pratici delle impostazioni corrette, procedere come segue:
 - ◆ Collocare l'anello (3) sull'impostazione della coppia di serraggio più bassa.
 - ◆ Stringere la prima vite.
 - ◆ Se la frizione si arresta prima che venga ottenuto il risultato desiderato, aumentare l'impostazione dell'anello e continuare a stringere la vite. Ripetere l'operazione fino ad ottenere l'impostazione corretta. Fare uso di quest'impostazione per tutte le altre viti.

Selettore a due scatti (fig. I)

- ◆ Per trapanare l'acciaio ed avvitare le viti, fare slittare il selettore a due scatti (5) verso la parte anteriore dell'utensile (1° scatto).
- ◆ Per trapanare materiali diversi dall'acciaio, fare slittare il selettore a due scatti (5) verso la parte posteriore dell'utensile (2° scatto).

Trapanare/avvitare (fig. A)

- ◆ Selezionare il senso di rotazione usando il selettore avanti/indietro (2).
- ◆ Per accendere l'utensile, premere l'interruttore (1). La velocità dell'utensile dipende dalla pressione esercitata sull'interruttore.
- ◆ Per spegnere l'utensile, rilasciare l'interruttore.

Consigli per un'ottima utilizzazione

Trapanare

- ◆ Applicare sempre una leggera pressione in linea retta con la punta.
- ◆ Prima che la punta fuoriesca dall'altra parte del pezzo in lavorazione, diminuire la pressione sull'utensile.
- ◆ Usare un blocco di legno per sostenere i pezzi in lavorazione che si possono scheggiare.
- ◆ Usare punte a pala per praticare fori di diametro largo su legno.
- ◆ Usare punte HSS per trapanare i metalli.
- ◆ Usare punte per muratura per trapanare i muri.
- ◆ Usare un lubrificante per trapanare metalli diversi da ottone e ferro.
- ◆ Per aumentare l'accuratezza della trapanatura, fare una tacca con un punteruolo nel centro del punto da trapanare.

Avvitare

- ◆ Usare sempre la punta di cacciavite di tipo e misura esatti.
- ◆ Se le viti sono difficili da stringere, provare ad applicare una piccola quantità di liquido detergente o sapone come lubrificante.
- ◆ Mantenere sempre l'utensile e la punta in linea retta rispetto alla vite.

MANUTENZIONE

Il vostro utensile Black & Decker é stato progettato per funzionare per un lungo periodo di tempo con il minimo di manutenzione. Il funzionamento continuo e soddisfacente dipende dall'adeguata cura dell'utensile e da pulizie sistematiche. Il vostro caricabatterie non richiede di nessun tipo di manutenzione oltre la sua regolare pulizia.



Prima di eseguire qualsiasi tipo di manutenzione dell'utensile, togliete le batterie dall'utensile.

- ◆ Scollegate il caricabatterie dalla presa elettrica prima di pulirlo.
- ◆ Pulite regolarmente con una spazzola morbida o un panno asciutto le prese di ventilazione dell'utensile e del caricabatteria.

- ◆ Il vano del motore va pulito regolarmente con un panno umido. Non usare sostanze abrasive o detergenti a base di solventi.
- ◆ Aprire regolarmente il mandrino e colpirlo leggermente per togliere tutta la polvere dall'interno.

PROTEZIONE DELL'AMBIENTE

Utensili



Se dovete un giorno decidere di sostituire i vostri utensili in quanto non più necessari, ricordate di avere cura dell'ambiente che ci circonda. I centri di assistenza Black & Decker ritireranno i vostri vecchi utensili, smaltendoli in modo ecologico.

Batterie



Le batterie della Black & Decker si possono ricaricare più volte. Alla fine della loro vita tecnica, gettate le batterie negli appositi contenitori. Abbiate cura dell'ambiente:

- ◆ Esaurite completamente la carica della batteria, poi toglietela dall'utensile.
- ◆ Le batterie di NiCd e NiMH sono riciclabili. Portatele al vostro concessionario o all'impianto di riciclaggio. Le batterie raccolte verranno riciclate o adeguatamente distrutte.

Garanzia

Certa della qualità dei suoi prodotti, Black & Decker offre una garanzia eccezionale. Il presente certificato di garanzia è complementare ai diritti statutari e non li pregiudica in alcun modo. La garanzia è valida entro il territorio degli Stati membri dell'Unione Europea e dell'EFTA (European Free Trade Area).

Dati tecnici

		HP126F5C	HP126F2K	HP128F2K
Tensione	V _{DC}	12	12	12
Velocità a vuoto	min ⁻¹	0-400/0-1.200	0-400/0-1.200	0-400/0-1.200
Coppia max. di serraggio	Nm	20,2	20,2	20,2
Capacità del mandrino	mm	10	10	10
Capacità max. di trapanatura acciaio/legno/muratura	mm	10/25/-	10/25/-	10/25/12
Assistenza tecnica no. batteria		A12F	A1712	A1712
Capacità	Ah	1,5	1,7	1,7
Peso (senza batteria)	kg	1,3	1,3	1,2

		HP146F2K	HP148F2K	HP188F2K
Tensione	V _{DC}	14,4	14,4	18
Velocità a vuoto	min ⁻¹	0-300/0-1.100	0-300/0-1.100	0-500/0-1.600
Coppia max. di serraggio	Nm	22,1	22,1	29,4
Capacità del mandrino	mm	10	13	13
Capacità max. di trapanatura acciaio/legno/muratura	mm	10/30/-	13/30/12	13/35/15
Assistenza tecnica no. batteria		A1714	A1714	A1718
Capacità	Ah	1,7	1,7	1,7
Peso (senza batteria)	kg	1,3	1,4	1,4

Caricabatteria

Tensione di rete	V _{AC}	230
Tempo approssimato di carica	h	1

Se un prodotto Black & Decker risulta difettoso per qualità del materiale, della costruzione o per mancata conformità entro 24 mesi dalla data di acquisto, Black & Decker garantisce la sostituzione delle parti difettose, provvede alla riparazione dei prodotti se ragionevolmente usurati oppure alla loro sostituzione, in modo da ridurre al minimo il disagio del cliente a meno che:

- ◆ Il prodotto non sia stato destinato ad usi commerciali, professionali o al noleggio;
- ◆ Il prodotto non sia stato usato in modo improprio o scorretto;
- ◆ Il prodotto non abbia subito danni causati da oggetti o sostanze estranee oppure incidenti;
- ◆ Il prodotto non abbia subito tentativi di riparazione non effettuati da tecnici autorizzati né dall'assistenza Black & Decker.

Per attivare la garanzia è necessario esibire la prova comprovante l'acquisto al venditore o al tecnico autorizzato. Per individuare il tecnico autorizzato più vicino, rivolgersi alla sede Black & Decker locale, presso il recapito indicato nel presente manuale. Altrimenti un elenco completo di tutti i tecnici autorizzati Black & Decker e i dettagli completi sui contatti e i servizi post-vendita sono disponibili su Internet presso:

www.2helpU.com

I clienti che desiderano registrare il nuovo prodotto Black & Decker e ricevere gli aggiornamenti sui nuovi prodotti e le offerte speciali, sono invitati a visitare il sito Web (**www.blackanddecker.it**). Ulteriori informazioni sul marchio e la gamma di prodotti Black & Decker sono disponibili all'indirizzo **www.blackanddecker.it**

ACCU-SCHROEF/BOORMACHINE HP126FSC/HP126F2K/HP128F2K/ HP146F2K/HP148F2K/HP188F2K

GEFELICITEERD!

U heeft gekozen voor een machine van Black & Decker. Ons doel is om kwaliteitsproducten te leveren tegen een betaalbare prijs. Wij vertrouwen erop dat u aan het gebruik van deze machine jarenlang plezier zult beleven.



Colin Wills
Director of Engineering
BDCI, 4/F, 2 Dai Wang Street
Tai Po Industrial Estate
Tai Po NT, Hong Kong

EG-VERKLARING VAN OVEREENSTEMMING



HP126FSC/HP126F2K/HP128F2K/
HP146F2K/HP148F2K/HP188F2K
Black & Decker verklaart dat deze elektrische machines in overeenstemming zijn met: 98/37/EEG, 89/336/EEG, 73/23/EEG, EN 50260, EN 55014, EN 60335, EN 61000

Niveau van de geluidsdruk, gemeten volgens EN 50260:

		HP126FSC	HP126F2K	HP128F2K
L_{pA} (geluidsdruk)	dB(A)	70	70	81
L_{WA} (geluidsvermogen)	dB(A)	83	83	94

		HP146F2K	HP148F2K	HP188F2K
L_{pA} (geluidsdruk)	dB(A)	81	81	86,5
L_{WA} (geluidsvermogen)	dB(A)	94	94	99,5



Neem de vereiste maatregelen voor gehoorbescherming wanneer de geluidsdruk het niveau van 85 dB(A) overschrijdt.

Gewogen kwadratische gemiddelde waarde van de versnelling overeenkomstig EN 50260:

HP126FSC	HP126F2K	HP128F2K
< 2,5 m/s ²	< 2,5 m/s ²	5,6 m/s ²

HP146F2K	HP148F2K	HP188F2K
< 2,5 m/s ²	5,6 m/s ²	7,3 m/s ²

GEBRUIK VOLGENS BESTEMMING

Uw Black & Decker schroef/boormachine HP126F2/HP146F2 is bedoeld voor het in- en uitdraaien van schroeven en voor het boren in hout, metaal en kunststoffen.

Uw Black & Decker schroef/boormachine HP148F2/HP188F2 is bedoeld voor het in- en uitdraaien van schroeven en voor het boren in hout, metaal, kunststoffen en zacht metselwerk.

Deze machine is uitsluitend bestemd voor consumentengebruik.

Uw Black & Decker oplader is ontworpen voor het opladen van Black & Decker accu's van het type dat bij deze machine wordt geleverd.

VEILIGHEIDSVOORSCHRIFTEN

Pictogrammen

In deze handleiding worden de volgende pictogrammen gebruikt:



Duidt op mogelijk lichamelijk letsel, levensgevaar of kans op beschadiging van de machine indien de instructies in deze handleiding worden genegeerd.



Geeft elektrische spanning aan.



Lees de handleiding voordat u met de machine gaat werken.



Brandgevaar.

Ken uw machine



- ♦ **Waarschuwing!** Bij het gebruik van accugevoede machines dienen ter bescherming tegen brandgevaar, vrijkomen van accuvloeistof, letsel en materiële schade altijd gepaste veiligheidsmaatregelen in acht te worden genomen, waaronder de volgende veiligheidsvoorschriften.
 - ♦ Lees de gebruiksaanwijzing aandachtig door voordat u met de machine gaat werken.
 - ♦ Zorg ervoor dat u voor gebruik weet hoe u de machine in geval van nood uitschakelt.
 - ♦ Bewaar deze instructies zorgvuldig!

Algemeen

- 1. Zorg voor een opgeruimde werkomgeving**
Een rommelige werkomgeving leidt tot ongelukken.
- 2. Houd rekening met omgevingsinvloeden**
Stel de machine niet bloot aan regen. Gebruik de machine niet in een vochtige of natte omgeving. Zorg dat de werkomgeving goed is verlicht. Gebruik de machine niet op plaatsen waar brand- of explosiegevaar bestaat, b.v. in de buurt van brandbare vloeistoffen of gassen.
- 3. Houd kinderen uit de buurt**
Houd kinderen, bezoekers en dieren buiten het werkgebied en laat ze de machine niet aanraken.
- 4. Draag geschikte werkkleding**
Draag geen wijde kleding of loshangende sieraden. Deze kunnen door de bewegende delen worden gegrepen. Draag bij het werken buitenshuis bij voorkeur rubber werkhandschoenen en schoenen met profielzolen. Houd lang haar bijeen.
- 5. Persoonlijke bescherming**
Draag altijd een veiligheidsbril.

Draag een gezichts- of stofmasker bij werkzaamheden waarbij stofdeeltjes of spanen vrijkomen. Draag altijd gehoorbescherming als het geluidsniveau onaangenaam hoog is.

- 6. Zorg voor een veilige houding**
Zorg altijd voor een juiste, stabiele houding.
- 7. Blijf voortdurend opletten**
Houd uw aandacht bij uw werk. Ga met verstand te werk. Gebruik de machine niet als u niet geconcentreerd bent.
- 8. Klem het werkstuk goed vast**
Gebruik klemmen of een bankschroef om het werkstuk te fixeren. Dit is veiliger, bovendien kan de machine dan met beide handen worden bediend.
- 9. Sluit de uitrusting van de stofafvoer aan**
Indien hulpmiddelen zijn meegeleverd voor de aansluiting van stofafvoer en voorzieningen voor stofopvang, zorg dan dat deze zijn aangesloten en naar behoren worden gebruikt.
- 10. Verwijder sleutels en hulpgereedschappen**
Controleer vóór het inschakelen altijd of sleutels en andere hulpgereedschappen zijn verwijderd.
- 11. Gebruik de juiste machine**
Het gebruik volgens bestemming is beschreven in deze handleiding. Gebruik geen te lichte machine of hulpstukken voor te zwaar werk. De machine werkt beter en veiliger indien u deze gebruikt voor het beoogde doel. Overbelast de machine niet.
Waarschuwing! Gebruik ter voorkoming van lichamelijk letsel uitsluitend de in deze gebruiksaanwijzing aanbevolen accessoires en hulpstukken. Gebruik de machine uitsluitend volgens bestemming.
- 12. Controleer de machine op beschadigingen**
Controleer de machine voor gebruik op schade. Controleer of alle bewegende delen correct gemonteerd zijn, of er geen onderdelen gebroken zijn, of er geen beschermkappen en schakelaars beschadigd zijn en of er andere gebreken zijn die invloed op de werking van de machine zouden kunnen hebben. Vergewis u er van dat de machine correct werkt. Gebruik de machine niet als enig onderdeel defect is. Gebruik de machine niet als de aan/uitschakelaar niet werkt.

Defecte onderdelen dienen door een erkend servicecentrum te worden gerepareerd of vervangen. Probeer nooit om de machine zelf te repareren.

13. Verwijder de accu

Neem de accu van de machine als u de machine niet gebruikt, voordat u gereedschappen, accessoires of onderdelen van de machine verwisselt en voordat u onderhoud aan de machine uitvoert.

14. Voorkom onbedoeld inschakelen

Draag de machine niet met uw vingers aan de aan/uit-schakelaar. Vergewis u er van dat de machine is uitgeschakeld als u de accu aanbrengt.

15. Misbruik het snoer niet

Draag de oplader nooit aan het snoer. Trek niet aan het snoer om de stekker uit het stopcontact te verwijderen. Houd het snoer uit de buurt van warmtebronnen, olie en scherpe randen.

16. Berg de machine veilig op

Berg de machine, oplader en accu na gebruik op in een droge ruimte, buiten het bereik van kinderen.

17. Onderhoud de machine met zorg

Houd snijgereedschappen scherp en schoon om beter en veiliger te kunnen werken. Houdt u aan de instructies met betrekking tot het onderhoud en het vervangen van accessoires. Houd de handgrepen en schakelaars droog en vrij van olie en vet.

18. Reparaties

Deze machine voldoet aan de geldende veiligheidseisen. Reparaties mogen uitsluitend worden uitgevoerd door bevoegde vakmensen en met behulp van originele reserveonderdelen; anders kan er een aanzienlijk gevaar voor de gebruiker ontstaan.

Aanvullende veiligheidsvoorschriften voor accu's en opladers

Accu's

- ◆ Probeer nooit een accu te openen.
- ◆ Stel accu's niet aan water bloot.
- ◆ Bewaar accu's niet op plaatsen waar de temperatuur 40 °C kan overschrijden.

- ◆ Laad accu's uitsluitend op bij een omgevingstemperatuur tussen 4 °C en 40 °C.
- ◆ Laad accu's uitsluitend op met behulp van de meegeleverde oplader (zie technische gegevens).
- ◆ Controleer voor het opladen of de accu droog en schoon is.
- ◆ Gebruik het juiste type accu voor de machine (zie technische gegevens).
- ◆ Volg bij het afdanken van accu's de instructies in de paragraaf "Milieu" op.
- ◆ Onder extreme gebruikscondities kan er vloeistof uit de accu vrijkomen. Als u vloeistof op de accu opmerkt, gaat u als volgt te werk:
 - Verwijder met behulp van een doekje voorzichtig de vloeistof van de accu. Vermijd huidcontact.
 - Als de vloeistof toch in aanraking komt met de huid of de ogen, volgt u de onderstaande instructies op.



De accuvloeistof bestaat uit een 25-30 % oplossing van kaliumhydroxide en kan gevaarlijk zijn. Indien accuvloeistof met de huid in aanraking is gekomen, spoel dan de huid onmiddellijk met water af. Neutraliseer de vloeistof met een zwak zuur zoals citroensap of azijn. Indien de accuvloeistof in de ogen is gekomen, spoel de ogen dan gedurende minimaal 10 minuten met schoon stromend water. Raadpleeg vervolgens een arts.



Voorkom kortsluiting tussen de contactpunten van een losse accu (bijv. door het bewaren van sleutels in dezelfde zak als de accu).



Verbrand de accu nooit.



Probeer nooit een beschadigde accu op te laden.

Opladers

- ◆ Gebruik uw Black & Decker oplader uitsluitend voor het opladen van accu's van het meegeleverde type.

Andere accu's kunnen barsten, wat tot letsel en materiële schade kan leiden.

- ◆ Probeer nooit om niet oplaadbare batterijen op te laden.
- ◆ Laat een defect netsnoer onmiddellijk vervangen.
- ◆ Stel de oplader niet aan water bloot.
- ◆ Open de oplader niet.
- ◆ Steek geen voorwerpen in het inwendige van de oplader.



Uitsluitend voor gebruik binnenshuis.

Aanvullende veiligheidsinstructies voor schroef/boormachines

- ◆ Controleer voordat u gaat boren in muren, vloeren of plafonds de locatie van eventueel aanwezige gas-, water- en elektriciteitsleidingen.
- ◆ Vermijd aanraking met de punt van de boor vlak na het boren, omdat deze heet kan zijn.

ELEKTRISCHE VEILIGHEID

Controleer of de ingangsspanning van de oplader overeenkomt met de netspanning.



Uw oplader is dubbel geïsoleerd overeenkomstig EN 60335. Een aarddraad is daarom niet vereist.

Gebruik van verlengsnoeren

Gebruik verlengsnoeren alleen indien nodig.

Gebruik een goedgekeurd snoer dat beantwoordt aan het vermogen van de oplader (zie typeplaatje). De minimum geleiderdikte is 1 mm²; de maximum snoerlengte is 30 m.

OVERZICHT (fig. A)

1. Schakelaar voor elektronisch regelbaar toerental
2. Links/rechtsschuif
3. Modusselectie/koppelstelkraag
4. Boorhouder
5. Twee versnellingen keuzeschakelaar
6. Ladingsindicator (HP128F2/HP148F2/HP188F2)
7. Bithouder
8. Zijhandgreep (HP188F2)
9. Accu
10. Accu-ontgrendelingsknop
11. Oplader

12. Oplaadindicator

13. Indicator einde oplaadtijd

MONTAGE

Aanbrengen en verwijderen van de accu (fig. B)

- ◆ Om de accu (9) aan te brengen, houdt u hem voor de houder in de machine. Schuif de accu in de houder en duw deze aan totdat hij vastklikt.
- ◆ Om de accu te verwijderen, drukt u de ontgrendelingsknop (10) in trekt u tegelijk de accu uit de houder.

Aanbrengen en verwijderen van een boor of schroefbit (fig. A & C)

Deze machine is voorzien van een snelspanboorhouder voor het eenvoudig verwisselen van bits.

- ◆ Vergrendel de machine door de links/rechtsschuif (2) in de middenpositie te zetten (fig. A).
- ◆ Open de boorhouder door met één hand aan het voorste deel (15) te draaien en ondertussen met de andere hand het achterste deel (16) vast te houden (fig. C).
- ◆ Steek de schacht van de bit (17) in de boorhouder.
- ◆ Draai de boorhouder stevig vast door met één hand aan het voorste deel (15) te draaien en ondertussen met de andere hand het achterste deel (16) vast te houden.

Deze machine wordt geleverd met een dubbelzijdige schroevendraaierbit in de bithouder (7) (fig. A).

- ◆ Om de schroefbit uit de bithouder te verwijderen, licht u de bit uit de uitsparing.
- ◆ Om de schroefbit te bewaren, drukt u deze stevig in de houder.

HP126F2/HP146F2 - Afnemen en weer aanbrengen van de boorhouder (fig. D)

De boorhouder van deze modellen kan eenvoudig worden afgenomen en weer aangebracht.

Als u voor uw klus zowel moet boren als schroeven, breng dan een schroefbit in de spindel en een boor in de boorhouder aan: om te schroeven verwijdert u simpelweg de boorhouder, om te boren brengt u hem weer aan.

Het schroefbit kan tijdens het boren in de spindel worden gelaten. Op dezelfde manier kunt u ook boren met een zeskantschacht in de spindel aanbrengen.

- ◆ Om de boorhouder (4) te verwijderen, houdt u de lippen (18) ingedrukt en trekt de boorhouder van de spindel (19).
- ◆ Breng een schroefbit (20) aan door het zoals afgebeeld in de spindel (19) te drukken. Om het schroefbit te verwijderen, trekt u de ring (21) naar achteren en trekt het schroefbit uit de spindel.
- ◆ Om de boorhouder weer aan te brengen, drukt u hem op de spindel tot hij stevig vastzit.



Vergewis u er altijd van dat de boorhouder naar behoren is aangebracht.

HP188F2 - Aanbrengen van de zijhandgreep (fig. A)

- ◆ Draai de zijhandgreep (8) linksom om hem los te maken.
- ◆ Schuif de zijhandgreep over de boorhouder en op de behuizing.
- ◆ Maak de zijhandgreep vast door hem rechtsom te draaien.

GEBRUIK



Laat de machine op eigen tempo werken. Niet overbelasten.

Opladen van de accu (fig. E)

De accu moet worden opgeladen voor het eerste gebruik alsmede zodra hij niet meer genoeg energie levert voor werkzaamheden die eerder moeiteloos konden worden verricht. Een nieuwe accu, of een accu die gedurende lange tijd niet gebruikt is, zal pas optimaal werken na ongeveer vijf cycli van volledig opladen en volledig ontladen. Tijdens het opladen kan de accu warm aanvoelen. Dit is normaal en duidt niet op een defect.



Laad de accu niet op bij omgevings-temperaturen onder 4 °C of boven 40 °C. Aanbevolen oplaadtemperatuur: ca. 24 °C.

Bij normaal gebruik zal een oplaadperiode van 60 minuten voldoende zijn voor de meeste toepassingen. Een verdere oplading tot 90 minuten zal echter, afhankelijk van de toestand van de accu en de oplaadomstandigheden, de gebruikstijd sterk verlengen.

- ◆ Om de accu (9) op te laden, haalt u deze uit de machine en steekt hem in de oplader (11). De accu past slechts op één manier in de oplader. Niet forceren. Verzeker u ervan dat de accu volledig in de oplader is geplaatst.
- ◆ Steek de stekker van de oplader in het stopcontact.
- ◆ Controleer of de rode oplaadindicator (12) brandt. Als de groene indicator einde oplaadtijd (13) brandt, is de accu te heet en kan deze niet worden opgeladen. Indien dit gebeurt, haalt u de accu uit de oplader en laat hem ongeveer 1 uur afkoelen voordat u de accu terugplaatst.

Na ongeveer 1 uur opladen dooft de rode oplaadindicator (12) en gaat de groene indicator einde oplaadtijd (13) branden. De accu is nu volledig opgeladen.

- ◆ Verwijder de accu uit de oplader.

HP128F2/HP148F2/HP188F2 - De staat van de accu controleren (fig. F)

Deze machine is voorzien van een ladingsindicator, waarmee u de staat van de accu kunt controleren.

- ◆ Druk de knop (22) in en houdt deze ingedrukt.
- ◆ Kijk hoeveel lampjes (23) er branden:

	Acculading
1 lampje	laag
2 lampjes	half
3 lampjes	vol

Selecteren van de draairichting (fig. G)

Kies voor boren en schroeven indraaien de draairichting rechtsom (met de klok mee). Kies voor schroeven losdraaien of voor het verwijderen van een vastgelopen boor de draairichting linksom (tegen de klok in).



- ◆ Om de draairichting rechtsom te selecteren, drukt u de links/rechts-schuif (2) naar links.
- ◆ Om de draairichting linksom te selecteren, drukt u de links/rechts-schuif (2) naar rechts.

- ◆ Om de machine te vergrendelen, zet u de links/rechts-schuif in de middenpositie.

De werkmodus of het koppel selecteren (fig. H)

Deze machine is voorzien van een kraag om de werkmodus te selecteren en het koppel in te stellen voor het vastdraaien van schroeven.

Grote schroeven en werkstukken van harde materialen vereisen een hogere koppelinstelling dan kleine schroeven en werkstukken van zachte materialen. De kraag bevat een groot aantal instellingen om op uw toepassing af te stellen.

- ◆ Voor boren in hout, metaal en kunststoffen zet u de kraag (3) in de boorpositie door het symbool  op één lijn met de markering (24) te brengen.
- ◆ HP148F2/HP188F2:
Voor boren in metselwerk zet u de kraag (3) in de klopbuurpositie door het symbool  op één lijn met de markering (24) te brengen.
- ◆ Voor schroevendraaien zet u de kraag in de gewenste stand. Als u de geschikte stand nog niet kent, gaat u als volgt te werk:
 - ◆ Zet de kraag (3) op de laagste koppelinstelling.
 - ◆ Draai de eerste schroef in.
 - ◆ Als de koppeling slijpt voordat het gewenste resultaat is bereikt, verhoogt u de koppelstand en vervolgt u het indraaien van de schroef. Herhaal totdat u de juiste stand bereikt. Gebruik deze stand voor de resterende schroeven.

Twee versnellingen keuzeschakelaar (fig. I)

- ◆ Schuif voor boren in staal en voor schroevendraaiertoepassingen de twee versnellingen keuzeschakelaar (5) in de richting van de voorkant van de machine (eerste versnelling).
- ◆ Schuif voor boren in andere materialen dan staal de twee versnellingen keuzeschakelaar (5) in de richting van de achterkant van de machine (tweede versnelling).

Boren/schroeven draaien (fig. A)

- ◆ Selecteer de draairichting links- of rechtsom met behulp van de links/rechts-schuif (2).

- ◆ Om de machine in te schakelen, drukt u de schakelaar (1) in. De machinesnelheid hangt af van hoever u de schakelaar indrukt.
- ◆ Om de machine uit te schakelen, laat u de schakelaar los.

Tips voor optimaal gebruik

Boren

- ◆ Voer altijd lichte druk uit in een rechte lijn met de boorbit.
- ◆ Verminder de druk op de machine net voordat de boorpunt door de andere kant van het werkstuk heengaat.
- ◆ Gebruik een blok hout om werkstukken die kunnen versplinteren te beschermen.
- ◆ Gebruik houtboren voor boren van grote gaten in hout.
- ◆ Gebruik HSS-boren voor boren in metaal.
- ◆ Gebruik steenboren voor boren in zacht metselwerk.
- ◆ Gebruik een smeermiddel voor boren in andere metalen dan gietijzer en koper.
- ◆ Maak een inkerving met behulp van een centre punch in het midden van het te boren gat om de nauwkeurigheid te vergroten.

Schroevendraaien

- ◆ Gebruik altijd het juiste type en de juiste maat schroefbit.
- ◆ Als schroeven moeilijk in te draaien zijn, gebruik dan een beetje vloeibaar wasmiddel of zeep als smeermiddel.
- ◆ Houd de machine en schroefbit altijd in een rechte lijn met de schroef.

ONDERHOUD

Uw Black & Decker machine is ontworpen om gedurende langere periode te functioneren met een minimum aan onderhoud. Voortdurend tevreden gebruik is afhankelijk van correct onderhoud en regelmatig schoonmaken. Uw oplader heeft geen ander onderhoud dan een regelmatige reiniging.



Verwijder de accu van de machine alvorens onderhoudswerkzaamheden uit te voeren.

- ◆ Koppel voor het reinigen van de oplader de netstekker los van het lichtnet.
- ◆ Reinig regelmatig de ventilatieopeningen van de machine en oplader met behulp van een zachte borstel of een droge doek.
- ◆ Reinig regelmatig de behuizing van de motor met een vochtige doek. Gebruik geen schuur- of oplosmiddel.
- ◆ Open regelmatig de boorhouder en tik zachtjes om eventueel stof uit de binnenkant te verwijderen.

MILIEU

Machine



Wanneer uw oude Black & Decker machine aan vervanging toe is, breng deze dan naar een Black & Decker service-center voor milieuvriendelijke verwerking.

Accu's



Black & Decker accu's kunnen vele malen opnieuw worden opgeladen. Versleten accu's dienen op milieubewuste wijze te worden verwijderd:

- ◆ Gebruik de energie van de accu helemaal op en verwijder hem dan van de machine.
- ◆ NiCd- en NiMH-accu's zijn recycleerbaar. Breng ze naar uw handelaar of naar een plaatselijk verwerkingscentrum voor klein chemisch afval. De ingezamelde accu's worden dan op milieuvriendelijke wijze gerecycleerd of verwijderd.

Garantie

Black & Decker heeft vertrouwen in zijn producten en biedt een uitstekende garantie. Deze garantiebepalingen vormen een aanvulling op uw wettelijke rechten en beperken deze niet. De garantie geldt in de lidstaten van de Europese Unie en de Europese Vrijhandelsassociatie.

Technische gegevens

		HP126F5C	HP126F2K	HP128F2K
Spanning	V _{DC}	12	12	12
Onbelast toerental	min ⁻¹	0-400/0-1.200	0-400/0-1.200	0-400/0-1.200
Max. koppel	Nm	20,2	20,2	20,2
Boorhoudercapaciteit	mm	10	10	10
Max. boorcapaciteit in staal/hout/metselwerk	mm	10/25/-	10/25/-	10/25/12
Servicenr. accu		A12F	A1712	A1712
Capaciteit	Ah	1,5	1,7	1,7
Gewicht (zonder accu)	kg	1,3	1,3	1,2

		HP146F2K	HP148F2K	HP188F2K
Spanning	V _{DC}	14,4	14,4	18
Onbelast toerental	min ⁻¹	0-300/0-1.100	0-300/0-1.100	0-500/0-1.600
Max. koppel	Nm	22,1	22,1	29,4
Boorhoudercapaciteit	mm	10	13	13
Max. boorcapaciteit in staal/hout/metselwerk	mm	10/30/-	13/30/12	13/35/15
Servicenr. accu		A1714	A1714	A1718
Capaciteit	Ah	1,7	1,7	1,7
Gewicht (zonder accu)	kg	1,3	1,4	1,4

Oplader

Netspanning	V _{AC}	230
Gemiddelde oplaadtijd	h	1

Mocht uw Black & Decker product binnen 24 maanden na datum van aankoop defect raken tengevolge van materiaal- of constructiefouten, dan garanderen wij de kosteloze vervanging van defecte onderdelen, de reparatie van het product of de vervanging van het product, tenzij:

- ◆ Het product is gebruikt voor handelsdoeleinden, professionele toepassingen of verhuurdoeleinden;
- ◆ Het product onoordeelkundig is gebruikt;
- ◆ Het product is beschadigd door invloeden van buitenaf of door een ongeval;
- ◆ Reparaties zijn uitgevoerd door anderen dan onze servicecentra of Black & Decker personeel.

Om een beroep op de garantie te doen, dient u een aankoopbewijs te overhandigen aan de verkoper of een van onze servicecentra. U kunt het adres van het dichtstbijzijnde servicecentrum opvragen via de adressen op de achterzijde van deze handleiding. U kunt ook een lijst van onze servicecentra en meer informatie m.b.t. onze klantenservice vinden op het volgende Internet-adres: **www.2helpU.com**

Meld u aan op onze website **www.blackanddecker.nl** om te worden geïnformeerd over nieuwe producten en speciale aanbiedingen. Verdere informatie over het merk Black & Decker en onze producten vindt u op **www.blackanddecker.nl**

TALADRADORA/ATORNILLADOR SIN CABLE HP126FSC/HP126F2K/HP128F2K/ HP146F2K/HP148F2K/HP188F2K

¡ENHORABUENA!

Ha escogido una herramienta Black & Decker. Nuestro objetivo es ofrecerle herramientas de calidad a un precio asequible y estamos seguros que podrá disfrutar de esta herramienta durante muchos años.



Colin Wills
Director of Engineering
BDCI, 4/F, 2 Dai Wang Street
Tai Po Industrial Estate
Tai Po NT, Hong Kong

DECLARACIÓN CE DE CONFORMIDAD

CE HP126FSC/HP126F2K/HP128F2K/
HP146F2K/HP148F2K/HP188F2K
Black & Decker certifica que estas herramientas eléctricas han sido construidas de acuerdo a las normas siguientes:
98/37/CEE, 89/336/CEE, 73/23/CEE,
EN 50260, EN 55014, EN 60335, EN 61000

El nivel de la presión acústica, medida de acuerdo con EN 50260:

		HP126FSC	HP126F2K	HP128F2K
L_{pA} (presión acústica)	dB(A)	70	70	81
L_{WA} (potencia acústica)	dB(A)	83	83	94

		HP146F2K	HP148F2K	HP188F2K
L_{pA} (presión acústica)	dB(A)	81	81	86,5
L_{WA} (potencia acústica)	dB(A)	94	94	99,5



Tome medidas adecuadas para proteger sus oídos cuando la presión acústica exceda el valor de 85 dB(A).

Valor cuadrático medio ponderado en frecuencia de la aceleración según EN 50260:

HP126FSC	HP126F2K	HP128F2K
< 2,5 m/s ²	< 2,5 m/s ²	5,6 m/s ²

HP146F2K	HP148F2K	HP188F2K
< 2,5 m/s ²	5,6 m/s ²	7,3 m/s ²

FINALIDAD

La taladradora/atornillador HP126F2/HP146F2 de Black and Decker ha sido diseñada para trabajos de atornillamiento y para taladrar madera, metal y plásticos

La taladradora/atornillador HP148F2/HP188F2 de Black and Decker ha sido diseñada para trabajos de atornillamiento y para taladrar madera, metal y plásticos

Esta herramienta está pensada únicamente para consumo doméstico.

Su cargador Black & Decker está diseñado para cargar baterías Black & Decker del tipo suministrado con la herramienta.

INSTRUCCIONES DE SEGURIDAD

Pictogramas

En el presente manual figuran los pictogramas siguientes:



Indica peligro de lesiones, de accidentes mortales o de averías en la herramienta en caso de no respeto de las instrucciones en este manual.



Indica tensión eléctrica.



Lea el manual antes de utilizar la herramienta.



Peligro de incendio.

Conozca su herramienta



- ◆ **¡Atención!** Cuando use herramientas alimentadas por batería, debe adoptar siempre las precauciones de seguridad básicas, incluidas las siguientes, a fin de reducir el riesgo de incendio, pérdida del líquido de las baterías, lesiones personales y daños materiales.
- ◆ Lea completamente este manual antes de utilizar la herramienta.
- ◆ Antes de poner en marcha la herramienta, compruebe que sabe cómo desconectarla en caso de emergencia.
- ◆ Mantenga a mano este manual para consultas posteriores.

Generalidades

1. **Mantenga limpia el área de trabajo**
Un área o un banco de trabajo en desorden aumentan el riesgo de accidentes.
2. **Tenga en cuenta el entorno del área de trabajo**
No exponga herramientas a la humedad.
Procure que el área de trabajo esté bien iluminada. No utilice la herramienta donde exista riesgo de incendio o explosión, p. ej. en la proximidad de líquidos o gases inflamables.
3. **¡Mantenga alejados a los niños!**
No permita que niños, otras personas o animales se acerquen al área de trabajo o toquen la herramienta.
4. **Vista ropa de trabajo apropiada**
No lleve vestidos anchos ni joyas. Estos podrían ser atrapados por piezas en movimiento.
Para trabajos en el exterior, se recomienda llevar guantes de goma y calzado de suela antideslizante. Si tiene el pelo largo, téngalo recogido y cubierto.
5. **Protección personal**
Lleve gafas de protección. Utilice una mascarilla si el trabajo ejecutado produce polvo u otras partículas volantes.

Lleve protectores para los oídos cuando el ruido pueda resultar molesto.

6. **No alargue demasiado su radio de acción**
Mantenga un apoyo firme sobre el suelo y conserve el equilibrio en todo momento.
7. **Esté siempre alerta**
Mire lo que está haciendo. Use el sentido común. No maneje la herramienta cuando está cansado.
8. **Sujete bien la pieza de trabajo**
Utilice abrazaderas o un torno para sujetar la pieza de trabajo. Es más seguro que sujetarla con la mano y le permite utilizar ambas manos para manejar la herramienta.
9. **Conecte los accesorios para la extracción de polvo.**
Si se suministran adaptadores para la conexión de accesorios extractores y para el almacenamiento del polvo, asegúrese de que se conectan y utilizan adecuadamente.
10. **Retire las llaves de maniobra**
Antes de poner la herramienta en marcha, asegúrese de que las llaves y utensilios de reglaje hayan sido retirados.
11. **Utilice la herramienta adecuada**
En este manual se explica para qué uso está destinada la herramienta. No utilice herramientas o dispositivos acoplables de potencia demasiado débil para ejecutar trabajos pesados. La herramienta funcionará mejor y con mayor seguridad al ser utilizada de acuerdo con sus características técnicas.
No fuerce la herramienta.
¡Atención! El uso de otros accesorios, adaptadores, o la propia utilización de la herramienta en cualquier forma diferente de las recomendadas en este manual de instrucciones puede constituir un riesgo de lesiones a las personas.
12. **Compruebe que no haya piezas averiadas**
Antes de usarla, compruebe cuidadosamente que la herramienta no esté estropeada.
Compruebe la posible existencia de piezas móviles mal alineadas o atascadas, la rotura de piezas, el posible daño de protectores e interruptores y cualquier otro aspecto que pueda afectar al funcionamiento de la herramienta.

Asegúrese de que la herramienta puede funcionar adecuadamente y cumplir con el cometido para el que ha sido diseñada.

No use la herramienta si hay alguna pieza defectuosa o averiada. No utilice la herramienta si no es posible apagar y encender el interruptor. Encargue al servicio técnico autorizado que repare o sustituya las piezas defectuosas o averiadas. Jamás intente repararla usted mismo.

13. Extracción de la batería

Extraiga la batería cuando no esté usando la herramienta, antes de sustituir piezas, accesorios o acoplamientos, y antes de efectuar revisiones.

14. Evite un arranque involuntario

Procure no tocar el conmutador de encendido/apagado mientras transporta la herramienta. Compruebe que la herramienta está desconectada antes de proceder a colocar la batería en la herramienta.

15. Cuide el cable de alimentación

No lleve la herramienta por el cable, ni tire del cable para desenchufar la herramienta. Proteja el cable del calor, del aceite y de las aristas vivas.

16. Guarde las herramientas que no utiliza

Las herramientas, cargadores y baterías que no se utilizan, deben estar protecciéndolos en un lugar seco y cerrado o elevado, fuera del alcance de los niños.

17. Mantenga las herramientas asiduamente

Mantenga sus herramientas afiladas y limpias para trabajar mejor y más seguro. Siga las instrucciones para el mantenimiento y la sustitución de accesorios. Mantenga los mandos y conmutadores secos, limpios y libres de aceite y grasa.

18. Reparaciones

Esta herramienta cumple las normas de seguridad aplicables. Las reparaciones deben llevarse a cabo por personal cualificado, usando piezas de recambio originales; en caso contrario, podría ocasionarse un considerable riesgo para el usuario.

Instrucciones de seguridad adicionales para baterías y cargadores

Baterías

- ◆ Nunca intente abrirlas por ningún motivo.
- ◆ No las exponga al agua.
- ◆ No las almacene en lugares donde la temperatura pueda exceder los 40 °C.
- ◆ Cargue las baterías únicamente a temperaturas entre 4 °C y 40 °C.
- ◆ Use únicamente el cargador suministrado para cargar la herramienta (consulte las características técnicas).
- ◆ Antes de cargarla, comprueba que la batería está seca y limpia.
- ◆ Use el tipo de batería correcto para la herramienta (consulte las características técnicas).
- ◆ Cuando deseche las baterías, siga las instrucciones reseñadas en la sección "Medio ambiente".
- ◆ Bajo condiciones extremas, la batería podría perder líquido. Si observa que la batería ha perdido líquido, proceda del modo siguiente:
 - Limpie cuidadosamente el líquido con un paño. Evite el contacto con la piel.
 - En caso de producirse contacto con la piel o los ojos, siga estas instrucciones.



El líquido una solución de un 25-30% de hidróxido de potasio, puede resultar nocivo. En caso de que entre en contacto con la piel, lávese inmediatamente con agua. Neutralícelo con un ácido suave como zumo de limón o vinagre. En caso de que entre en contacto con los ojos, láveselos con agua limpia abundante durante al menos 10 minutos. Consulte a un médico.



¡Peligro de incendio! Evite que se produzcan cortocircuitos metálicos en los contactos de una batería suelta (por ejemplo, no lleve llaves en el mismo bolsillo que una batería).



No arroje la batería al fuego.



No cargar baterías en mal estado.

Cargadores

- ◆ Use el cargador Black & Decker únicamente para cargar baterías del tipo suministrado. Otras baterías podrían estallar, causando daños y lesiones personales.
- ◆ No intente nunca cargar baterías no-recargables.
- ◆ Sustituye inmediatamente los cables defectuosos.
- ◆ No exponga el cargador al agua.
- ◆ No abra el cargador.
- ◆ No manipule el cargador.



Para uso exclusivo en interiores.

Instrucciones de seguridad adicionales para taladros/destornilladores

- ◆ Antes de taladrar paredes, suelos o techos, compruebe la ubicación de cableados y tuberías.
- ◆ Evite tocar la punta de la broca inmediatamente después de taladrar, ya que estará caliente.

SEGURIDAD ELÉCTRICA

Compruebe siempre que el voltaje de la red corresponde al valor indicado en la placa de características.



Su cargador tiene doble aislamiento, conforme a la norma EN 60335; por consiguiente, no se requiere conexión a tierra.

Utilización de un cable de prolongación

En caso de que sea necesario utilizar un cable de prolongación, deberá ser un cable de prolongación aprobado, adecuado para la potencia de esta herramienta (véanse la placa de características). La sección mínima de conductor es de 1 mm². Si utiliza un carrete de cable, desenrolle siempre el cable completamente.

VISTA GENERAL (fig. A)

1. Conmutador de velocidad variable
2. Guía de deslizamiento hacia adelante/atrás
3. Selector de modo/collarín de ajuste del par de torsión

4. Portabrocas
5. Selector de dos marchas
6. Indicador de carga de batería (HP128F2/HP148F2/HP188F2)
7. Mango de la broca
8. Mango lateral (HP188F2)
9. Batería
10. Botón liberador de batería
11. Cargador
12. Indicador de carga
13. Indicador de carga completada

MONTAJE

Colocación y retirada de la batería (fig. B)

- ◆ Para introducir la batería (9), colóquela en línea con el receptáculo de la herramienta. Deslice la batería en el receptáculo y empújela hasta que encaje en su sitio.
- ◆ Para retirar la batería, presione el botón de liberación (10) simultáneamente mientras extrae la batería del receptáculo.

Colocación y extracción de una broca o una punta para atornillar (fig. A & C)

Esta herramienta lleva un portabrocas sin llave para facilitar el intercambio de brocas.

- ◆ Bloquee la herramienta colocando la guía de deslizamiento hacia adelante/atrás (2) en la posición central (fig. A).
- ◆ Abra el portabrocas girando la pieza delantera (15) con una mano mientras sujeta la pieza posterior (16) con la otra (fig. C).
- ◆ Inserte el eje de la broca (17) en el portabrocas.
- ◆ Apriete firmemente el portabrocas girando la pieza delantera (15) con una mano mientras sujeta la pieza posterior (16) con la otra.

Esta herramienta se suministra con una doble punta para atornillar dentro del mango (7) (fig. A).

- ◆ Para extraer la punta del mango, levante la punta de la cavidad.
- ◆ Para colocar la punta, empújela firmemente dentro del mango.

HP126F2/HP146F2 -

Extracción y colocación de la batería (fig. D)

El portabrocas de este modelo se extrae y coloca fácilmente.

Cuando vaya a trabajar taladrando y atornillando, coloque una punta en el eje y una boca de taladrar en el portabrocas. así sólo necesitará retirar el portabrocas cuando vaya a atornillar y montarlo cuando vaya a taladrar. Mientras se está taladrando, se podrá dejar la punta en el eje. De esta forma, podrá también fijar las brocas de taladrar con un eje exagonal.

- ◆ Para retirar el portabrocas (4), mantenga presionadas las lengüetas (18) y extraiga el portabrocas del husillo (19).
- ◆ Monte una punta (20) empujándola dentro del husillo (19) tal como se muestra. Para extraer la punta, tire hacia atrás del anillo (21) y saque la punta del husillo.
- ◆ Para volver a montar el portabrocas, empújelo sobre el husillo hasta que quede firmemente encajado en su posición.



Asegúrese siempre de que el portabrocas esté perfectamente encajado.

HP188F2 - Acoplar el mango lateral (fig. A)

- ◆ Afloje el mango lateral (8) girándolo en sentido contrario a las agujas del reloj.
- ◆ Deslice el mango lateral por encima del portabrocas y sobre la carcasa.
- ◆ Apriete el mango lateral, girándolo en el sentido de las agujas del reloj.

USO



Deje que la herramienta funcione a su ritmo. No la sobrecargue.

Carga de la batería (fig. E)

La batería debe cargarse antes de usarla por primera vez y siempre que no obtenga la suficiente potencia en trabajos que antes efectuaba con facilidad. Una batería nueva, o una batería que no haya sido utilizada durante un largo periodo, alcanza su máximo rendimiento solamente después de 5 ciclos de carga y descarga aproximadamente. Durante la carga, la batería podría calentarse; esto es normal y no indica ningún problema.



No cargue la batería a una temperatura ambiente inferior a 4 °C o superior a 40 °C. Temperatura recomendada de carga: aprox. 24 °C.

Tras una utilización normal, será suficiente con un tiempo de carga de 60 minutos para la mayoría de las aplicaciones. No obstante, una carga de hasta 90 minutos podría incrementar, significativamente, el tiempo de uso, dependiendo de la batería y de las condiciones de carga.

- ◆ Para cargar la batería (9), extraígalas de la herramienta e insértelas en el cargador (11). La batería encajará en el cargador sólo en un sentido. No la fuerce. Compruebe que la batería está totalmente insertada en el cargador.
- ◆ Enchufe el cargador.
- ◆ Compruebe que el indicador rojo de carga (12) está encendido. Si en su lugar se enciende el indicador verde de carga (13), entonces la batería está demasiado caliente y no puede cargarse. Si ocurre esto, extraiga la batería del cargador, deje que se enfríe durante 1 hora aproximadamente y vuelva a insertarla.

Después de 1 hora aproximada de carga, el indicador rojo (12) se apagará y se encenderá el indicador verde (13). Entonces la batería estará totalmente cargada.

- ◆ Extraiga la batería del cargador.

HP128F2/HP148F2/HP188F2 -

Comprobación del estado de la batería (fig. F)

Esta herramienta lleva un indicador de carga de batería que le permite comprobar el estado de la misma.

- ◆ Pulse el botón (22) y manténgalo presionado.
- ◆ Observe cuántas luces (23) están encendidas.

Carga de la batería	
1 luz	baja
2 luces	media
3 luces	alta

Selección de la dirección de rotación (fig. G)



Para taladrar y apretar tornillos, use la rotación hacia adelante(en el sentido de las agujas del reloj).

Para aflojar tornillos o para extraer una broca atascada, use la rotación inversa (en sentido contrario a las agujas del reloj).

- ◆ Para seleccionar la rotación directa, empuje la guía de deslizamiento hacia adelante/atrás (2) hacia la izquierda.
- ◆ Para seleccionar la rotación inversa, empuje la guía de deslizamiento hacia adelante/atrás hacia la derecha.
- ◆ Para bloquear la herramienta, coloque la guía de deslizamiento hacia adelante/atrás en la posición central.

Selección del modo de funcionamiento o del par de torsión (fig. H)

Esta herramienta lleva acoplado un collarín para seleccionar el modo de funcionamiento o para ajustar el par de apriete de los tornillos. Los tornillos grandes y el material duro de las piezas a trabajar requieren un ajuste de par de apriete mayor que los tornillos pequeños y el material blando de las piezas de trabajo. El collarín dispone de una amplia gama de ajustes que se acoplan a sus necesidades.

- ◆ Para taladrar madera, metal y plásticos, coloque el collarín (3) en la posición de taladrado alineando el símbolo  con la marca (24).
- ◆ HP148F2/HP188F2:
Para taladrar mampostería, coloque el collarín (3) en la posición de taladrado a martillo alineando el símbolo  con la marca (24).
- ◆ Para atornillar, coloque el collarín en el valor deseado. Si todavía no sabe cuál es el valor apropiado, proceda del modo siguiente:
 - ◆ Ponga el collarín (3) en el valor de ajuste más bajo.
 - ◆ Apriete el primer tornillo.
 - ◆ Si el embrague se endenta antes de lograr el resultado deseado, aumente el valor del collarín y continúe apretando el tornillo. Repita el procedimiento hasta que alcance el valor correcto. Utilice dicho valor para los tornillos restantes.

Selector de dos marchas (fig. I)

- ◆ Para taladrar acero y para trabajos de atornillar, deslice el selector de dos marchas (5) hacia la parte delantera de la herramienta (1ª marcha).

- ◆ Para taladrar materiales que no sean de acero, deslice el selector de dos marchas (5) hacia la parte posterior de la herramienta (2ª marcha).

Taladrado/atornillado (fig. A)

- ◆ Seleccione la rotación directa o inversa usando la guía de deslizamiento hacia adelante/atrás (2).
- ◆ Para encender la herramienta, presione el interruptor (1). La velocidad de la herramienta dependerá de hasta dónde presione el conmutador.
- ◆ Para parar la herramienta, suelte el interruptor.

Consejos para un uso óptimo

Taladrado

- ◆ Aplique siempre una suave presión en línea recta con la broca.
- ◆ Justo antes de que la punta de la broca atraviese la pieza de trabajo, disminuya la presión sobre la herramienta.
- ◆ Use un bloque de madera como soporte de piezas de trabajo que puedan astillarse.
- ◆ Use brocas de pala para taladrar agujeros de gran diámetro en madera.
- ◆ Use brocas de acero rápido para taladrar metal.
- ◆ Use brocas de mampostería para taladrar mampostería blanda.
- ◆ Use un lubricante para taladrar metales distintos del hierro fundido y el latón.
- ◆ Haga una marca con un punzón de perforar en el centro del agujero que desea taladrar para mayor precisión.

Atornillado

- ◆ Use siempre el tipo y el tamaño adecuado de punta.
- ◆ Si le resulta difícil apretar los tornillos, intente aplicar una pequeña cantidad de jabón o líquido jabonoso como lubricante.
- ◆ Sujete siempre la herramienta y la punta en línea recta con el tornillo.

MANTENIMIENTO

Su herramienta Black & Decker está diseñada para funcionar durante un largo período de tiempo con un mantenimiento mínimo.

El funcionamiento satisfactorio continuado depende de un cuidado apropiado y una limpieza periódica de la herramienta.

Su cargador no requiere ningún mantenimiento aparte de una limpieza periódica.



Antes de efectuar cualquier mantenimiento en la herramienta, retire la batería de la herramienta.

- ◆ Desenchufe el cargador antes de limpiarlo.
- ◆ Limpie periódicamente las ranuras de ventilación de la herramienta y del cargador con un cepillo suave o un paño seco.
- ◆ Limpie periódicamente la carcasa del motor con un paño húmedo. No utilice ninguna sustancia limpiadora abrasiva o que contenga disolventes.
- ◆ Abra periódicamente el portabrocas y golpéelo suavemente para extraer el polvo del interior.

MEDIO AMBIENTE

Herramientas



Si llega el momento en que cree que debe reemplazar su herramienta, o no la piensa utilizar más, piense en la protección del medio ambiente.

Los servicios postventa Black & Decker aceptarán sus herramientas viejas Black & Decker y se desharán de ellas de la forma menos perjudicial para el medio ambiente.

Baterías



Las baterías Black & Decker pueden recargarse muchas veces. Al final de su vida útil, deseche las baterías con el debido cuidado con el entorno:

Características técnicas

		HP126F5C	HP126F2K	HP128F2K
Voltaje	V _{DC}	12	12	12
Velocidad sin carga	min ⁻¹	0-400/0-1.200	0-400/0-1.200	0-400/0-1.200
Par máximo	Nm	20,2	20,2	20,2
Capacidad del portabrocas	mm	10	10	10
Máxima capacidad de taladrado de acero/madera	mm	10/25/-	10/25/-	10/25/12
Servicio técnico no. batería		A12F	A1712	A1712
Capacidad	Ah	1,5	1,7	1,7
Peso (sin batería)	kg	1,3	1,3	1,2

		HP146F2K	HP148F2K	HP188F2K
Voltaje	V _{DC}	14,4	14,4	18
Velocidad sin carga	min ⁻¹	0-300/0-1.100	0-300/0-1.100	0-500/0-1.600
Par máximo	Nm	22,1	22,1	29,4
Capacidad del portabrocas	mm	10	13	13
Máxima capacidad de taladrado de acero/madera	mm	10/30/-	13/30/12	13/35/15
Servicio técnico no. batería		A1714	A1714	A1718
Capacidad	Ah	1,7	1,7	1,7
Peso (sin batería)	kg	1,3	1,4	1,4

Cargador

Tensión de la red	V _{AC}	230
Tiempo aproximado de carga	h	1

- ◆ Descargue totalmente la batería, luego retírela de la herramienta.
- ◆ Las baterías NiCd y las baterías NiMH son reciclables. Entregue las baterías al servicio postventa Black & Decker o deposítelas en un punto local de reciclado. Las baterías recogidas serán recicladas o adecuadamente desechadas.

Garantía

Black & Decker confía plenamente en la calidad de sus productos y ofrece una garantía extraordinaria. Esta declaración de garantía es un añadido, y en ningún caso un perjuicio para sus derechos estatutarios. La garantía es válida dentro de los territorios de los Estados Miembros de la Unión Europea y de los de la Zona Europea de Libre Comercio.

Si un producto Black & Decker resultará defectuoso debido a materiales o mano de obra defectuosos o a la falta de conformidad, Black & Decker garantiza, dentro de los 24 meses de la fecha de compra, la sustitución de las piezas defectuosas, la reparación de los productos sujetos a un desgaste y rotura razonables o la sustitución de tales productos para garantizar al cliente el mínimo de inconvenientes, a menos que:

- ◆ El producto haya sido utilizado con propósitos comerciales, profesionales o de alquiler;
- ◆ El producto haya sido sometido a un uso inadecuado o negligente;
- ◆ El producto haya sufrido daños causados por objetos o sustancias extrañas o accidentes;
- ◆ Se hayan realizado reparaciones por parte de personas que no sean los servicios de reparación autorizados o personal de servicios de Black & Decker;

Para reclamar en garantía, será necesario que presente la prueba de compra al vendedor o al servicio técnico de reparaciones autorizado. Pueden consultar la dirección de su servicio técnico más cercano poniéndose en contacto con la oficina local de Black & Decker en la dirección que se indica en este manual. Como alternativa, se puede consultar en Internet, en la dirección siguiente, la lista de servicios técnicos autorizados e información completa de nuestros servicios de postventa y contactos: **www.2helpU.com**

Visite nuestro sitio web

www.blackanddecker.com para registrar su nuevo producto Black & Decker y mantenerse al día sobre nuestros productos y ofertas especiales. Encontrará información adicional sobre la marca Black & Decker y nuestra gama de productos en **www.blackanddecker.com**

BERBEQUIM/APARAFUSADOR SEM FIO HP126FSC/HP126F2K/HP128F2K/ HP146F2K/HP148F2K/HP188F2K

PARABÉNS!

Você escolheu uma ferramenta Black & Decker. O nosso objectivo é fornecer ferramentas de qualidade a um preço acessível. Esperamos que a utilize por muitos anos.



Colin Wills
Engenheiro Responsável
BDCI, 4/F, 2 Dai Wang Street
Tai Po Industrial Estate
Tai Po NT, Hong Kong

DECLARAÇÃO DE CONFORMIDADE



HP126FSC/HP126F2K/HP128F2K/
HP146F2K/HP148F2K/HP188F2K
Black & Decker declara que estas ferramentas foram concebidas em conformidade com:
98/37/CEE, 89/336/CEE, 73/23/CEE,
EN 50260, EN 55014, EN 60335, EN 61000

Nível de potência sonora, medido de acordo com a EN 50260:

		HP126FSC	HP126F2K	HP128F2K
L_{pA} (pressão sonora)	dB(A)	70	70	81
L_{WA} (potência sonora)	dB(A)	83	83	94

		HP146F2K	HP148F2K	HP188F2K
L_{pA} (pressão sonora)	dB(A)	81	81	86,5
L_{WA} (potência sonora)	dB(A)	94	94	99,5



Use protectores auditivos quando a potência sonora ultrapassar 85 dB(A).

Valor médio quadrático ponderado em frequência de aceleração conforme à EN 50260:

HP126FSC	HP126F2K	HP128F2K
< 2,5 m/s ²	< 2,5 m/s ²	5,6 m/s ²

HP146F2K	HP148F2K	HP188F2K
< 2,5 m/s ²	5,6 m/s ²	7,3 m/s ²

FINALIDADE DA FERRAMENTA

O berbequim/aparafusador sem fio da Black & Decker HP126F2/HP146F2 foi projectado para aparafusar e perfurar madeira, metal e plástico.

O berbequim/aparafusador sem fio da Black & Decker HP148F2/HP188F2 foi projectado para aparafusar e perfurar madeira, metal, plástico e alvenaria.

Esta ferramenta destina-se apenas para uso doméstico.

O seu carregador Black & Decker foi desenhado para carregar as baterias Black & Decker do tipo fornecido com esta ferramenta.

INSTRUÇÕES DE SEGURANÇA

Símbolos

Os seguintes símbolos são usados neste manual:



Indica risco de ferimentos, perigo de vida ou danos na ferramenta no caso do não-cumprimento das instruções deste manual.



Indica tensão eléctrica.



Leia este manual antes de utilizar a ferramenta.



Perigo de incêndio.

Conhecer a ferramenta



- ◆ **Aviso!** Ao utilizar ferramentas alimentadas por bateria, é preciso seguir sempre as precauções básicas de segurança, incluindo as detalhadas a seguir, para diminuir os riscos de incêndio, corrosão das baterias, ferimentos pessoais e danos materiais.
- ◆ Leia atentamente este manual antes de utilizar a ferramenta.
- ◆ Antes de utilizar a ferramenta, certifique-se de que sabe como desligá-la em uma emergência.
- ◆ Guarde este manual para futura referência.

Informações gerais

1. Mantenha a área de trabalho arrumada

As mesas e áreas de trabalho desarrumadas podem provocar ferimentos.

2. Cuide do ambiente da área de trabalho

Não exponha a ferramenta à chuva. Não utilize a ferramenta em situações onde haja humidade ou água. Mantenha a área de trabalho bem iluminada. Não utilize a ferramenta onde haja risco de fogo ou explosão, p.ex. em presença de líquidos ou gases inflamáveis.

3. Mantenha as crianças afastadas

Não permita que crianças, visitantes ou animais cheguem perto da área de trabalho ou toquem na ferramenta.

4. Vista-se de maneira apropriada

Não use vestuário largo nem jóias porque podem prender-se numa peça móvel. Quando se trabalha no exterior, é de aconselhar o uso de luvas de borracha e de calçado antiderrapante. Cubra o cabelo se tiver cabelo comprido.

5. Protecção pessoal

Utilize óculos de protecção. Utilize óculos de protecção e uma máscara de rosto ou poeira sempre que as operações possam produzir poeira ou partículas que voem.

Utilize protector de ouvidos sempre que o nível de ruído pareça ser incómodo.

6. Verifique a sua posição

Mantenha sempre o equilíbrio.

7. Esteja atento

Dê atenção ao que vai fazendo. Trabalhe com precaução. Não utilize ferramentas quando estiver cansado.

8. Segure firmemente as peças a trabalhar

Utilize grampos ou um torno para segurar as peças de trabalho. É mais seguro e permite manter as duas mãos livres para trabalhar.

9. Conecte o equipamento de extracção de pó

Caso sejam fornecidos os dispositivos para a conexão de extracção e colecta de pó, assegure-se de que os mesmos sejam correctamente conectados e utilizados.

10. Tire as chaves de aperto

Verifique sempre se as chaves de aperto foram retiradas da ferramenta antes de a utilizar.

11. Utilize a ferramenta apropriada.

Neste manual indicam-se as aplicações da ferramenta. Não force pequenas ferramentas ou acessórios para fazer o trabalho dumha ferramenta forte.

A ferramenta trabalhará melhor e de uma maneira mais segura se for utilizada para o efeito indicado. Não force a ferramenta.

Aviso! O uso de qualquer acessório ou da própria ferramenta, além do que é recomendado neste manual de instruções pode dar origem a risco de ferimento.

12. Verifique se há peças danificadas.

Antes do uso, verifique cuidadosamente se a ferramenta está danificada.

Verifique o tamanho das peças móveis e se as mesmas estão alinhadas; verifique se há alguma peça partida, se as protecções e os interruptores estão danificados, bem como quaisquer outras condições que possam afectar o funcionamento da ferramenta.

Assegure-se de que a ferramenta funcione correctamente e de que esteja a desempenhar as funções para as quais foi projectada.

Não utilize a ferramenta se houver alguma peça defeituosa.

Não utilize a ferramenta se o interruptor não estiver a funcionar para ligar ou desligar.

Qualquer peça defeituosa deve ser reparada ou substituída por um técnico autorizado. Nunca tente efectuar qualquer reparação por sua conta.

13. Remova a bateria.

Remova a bateria quando a ferramenta não estiver em uso, antes de trocar qualquer peça da ferramenta, acessórios ou anexos e antes de enviar ao serviço técnico.

14. Evite ligar sem intenção

Não transporte a ferramenta com um dedo sobre o interruptor liga/desliga. Certifique-se de que a ferramenta esteja desligada quando for inserir a bateria.

15. Não force o cabo eléctrico

Nunca transporte a ferramenta pelo cabo e não puxe pelo cabo para tirar a ficha da tomada. Proteja o cabo contra o calor e evite o contacto com óleo e objectos cortantes.

16. Guarde as ferramentas que não estiverem a ser utilizadas.

Quando não estiverem em uso, as ferramentas e baterias devem ser armazenadas num local seco, fora do alcance de crianças.

17. Cuide das suas ferramentas com atenção

Mantenha as ferramentas cortantes afiadas e limpas para um melhor e mais seguro desempenho. Siga as instruções para a manutenção e a troca de acessórios. Mantenha os punhos e os interruptores secos, limpos e isentos de óleo e gordura.

18. Reparos

Esta ferramenta cumpre os requisitos de segurança pertinentes. Os reparos devem ser realizados somente por pessoas qualificadas e as peças de reposição devem ser originais. A não observância disso poderá resultar em perigos consideráveis para os utilizadores.

Instruções adicionais de segurança para baterias e carregadores

Baterias

- ◆ Nunca tente abrir seja qual for a razão.
- ◆ Não exponha à água.
- ◆ Não armazene em locais onde a temperatura possa exceder 40 °C.

- ◆ Carregue somente à temperatura ambiente entre 4 °C e 40 °C.
- ◆ Carregue somente utilizando o carregador fornecido com a ferramenta (veja os dados técnicos).
- ◆ Antes de carregar, certifique-se de que a bateria esteja seca e limpa.
- ◆ Utilize somente o tipo correcto de bateria para a ferramenta (veja os dados técnicos).
- ◆ Quando se desfizer das baterias, siga as instruções dadas na secção “Ambiente”.
- ◆ Sob condições extremas, pode ocorrer vazamento de bateria. Quando notar que há líquido na bateria, proceda da seguinte maneira:
 - Limpe o líquido cuidadosamente utilizando um pano. Evite o contacto com a pele.
 - Em caso de contacto com a pele ou com os olhos, siga as instruções abaixo.



O líquido da bateria, uma 25-30% solução de hidróxido de potássio, pode ser nocivo. Em caso de contacto com a pele, lave imediatamente com água. Neutralize com um ácido suave, como sumo de limão ou vinagre. Em caso de contacto com os olhos, enxague abundantemente com água limpa durante 10 minutos. Consulte um médico.



Perigo de incêndio! Evite curto-circuito metálico nos contactos de uma bateria (p.e. chaves de porcas na mesma caixa que a bateria).



Não queime a bateria.



Não carregue baterias danificadas.

Carregadores

- ◆ Utilize seu carregador Black & Decker somente para carregar as baterias do tipo fornecido com sua ferramenta. Outras baterias poderiam explodir causando danos pessoais e estragos.
- ◆ Nunca tente carregar baterias não recarregáveis.

- ◆ Substitua os cabos defeituosos imediatamente.
- ◆ Não exponha à água.
- ◆ Não abra o carregador.
- ◆ Não submeta o carregador a testes electrónicos.



Concebido somente para uso em interior.

Instruções adicionais de segurança para berbequins/aparafusadoras

- ◆ Antes de perfurar paredes, pisos ou tectos, verifique a localização de fios e canos.
- ◆ Evite tocar na ponta da broca imediatamente após perfurar, pois esta pode estar quente.

SEGURANÇA ELÉCTRICA

Assegure-se de que a voltagem do seu carregador corresponde com a rede de energia.



O seu carregador tem duplo isolamento em conformidade com o estipulado na norma EN 60335, não sendo, por isso, necessária uma ligação à terra.

Extensões

Se fôr necessário um fio de extensão, use um cabo especial, conveniente para a corrente deste carregador (veja a placa de identificação). A dimensão mínima do condutor é 1 mm². No caso de se usar uma bobina, desenrole o cabo todo.

VISÃO GERAL (fig. A)

1. Interruptor de velocidade variável
2. Selector de reversibilidade
3. Selector de modo / anel de ajuste de par de torção
4. Bucha
5. Selector de motor duplo
6. Indicador de carga da bateria (HP128F2/HP148F2/HP188F2)
7. Suporte de ponta
8. Punho lateral (HP188F2)
9. Bateria
10. Botão de liberação da bateria
11. Carregador
12. Indicador de carga
13. Indicador de carga completa

MONTAGEM

Colocação e remoção da bateria (fig. B)

- ◆ Para instalar a bateria (9), alinhe-a com o receptáculo na ferramenta. Deslize a bateria no receptáculo e empurre-a até que ela encaixe no lugar.
- ◆ Para removê-la, prima os dois botões de fixação (10) e puxe a bateria para fora do receptáculo simultaneamente.

Colocação e remoção de brocas ou pontas de aparafusar (fig. A & C)

A ferramenta está equipada com uma bucha sem chave para permitir a troca fácil das brocas.

- ◆ Trave a ferramenta colocando o selector de reversibilidade (2) na posição central (fig. A).
- ◆ Abra a bucha girando a parte frontal (15) com uma mão enquanto segura a parte traseira (16) com a outra (fig. C).
- ◆ Insira uma broca (17) na bucha.
- ◆ Aperte firmemente o mandril girando a parte frontal (15) com uma mão enquanto segura a parte traseira (16) com a outra.

Esta ferramenta é fornecida com uma ponta de aparafusar no compartimento de broca (7) (fig. A).

- ◆ Para remover a ponta de aparafusar do compartimento de broca, puxe-a.
- ◆ Para guardar a ponta de aparafusar, empurre-a firmemente no compartimento.

HP126F2/HP146F2 -

Remoção e encaixe da bucha (fig. D)

Nos modelos em questão a remoção e colocação de buchas é simples. Quando seu projecto envolve perfuração e aparafusamento, coloque uma ponta no veio e uma broca na bucha: com isso só terá que remover a bucha para aparafusar e recolocá-la para perfurar. Pode deixar a ponta de aparafusar no veio enquanto estiver a perfurar. Dessa maneira, poderá também encaixar brocas com o eixo hexagonal.

- ◆ Para remover a bucha, prima e segure as linguetas de desengate (18) e puxe a bucha de maneira a retirá-la do veio (19).
- ◆ Instale a ponta de aparafusar (20) empurrando-a no veio (19), como mostrado.

Para removê-la, puxe o anel (21) para trás e empurre a puxa a ponta retirando-a do veio.

- ◆ Para recolocar a bucha, empurre-a sobre o veio até que fique bem travada no lugar.



Assegure-se sempre de que a bucha esteja bem instalada.

HP188F2 -

Encaixe do punho lateral (fig. A)

- ◆ Solte o punho lateral (8) girando-o em sentido anti-horário.
- ◆ Deslize-o por cima da bucha e em direcção à carcaça.
- ◆ Aperte o punho lateral girando-o em sentido horário.

USO



Deixe que a ferramenta funcione à vontade. Não a sobrecarregue.

Carregamento da bateria (fig. E)

A bateria precisa ser carregada antes da primeira utilização e sempre que falhe em produzir potência suficiente para realizar trabalhos que antes eram facilmente realizados. Uma bateria nova ou que não tenha sido utilizada por longo tempo atingirá a sua capacidade completa somente após 5 ciclos de carregamento/ descarregamento. A bateria pode ficar quente enquanto estiver a carregar; isto é normal e não indica um problema.



Não carregue às temperaturas ambientes inferiores a 4 °C ou superiores a 40°. A temperatura recomendada para carregar é de aproximadamente 24 °C.

Após o uso normal, 60 minutos de carregamento serão suficientes para fornecer energia para a maioria das aplicações. Entretanto, um tempo de carregamento estendido até 90 minutos poderá aumentar significativamente o tempo de uso, em dependência do estado da bateria e das condições de carregamento.

- ◆ Para carregar a bateria (9), retire-a da ferramenta e insira-a no carregador (11).

A bateria só encaixará no carregador de um modo. Não force. Esteja seguro de que a bateria está completamente encaixada no carregador.

- ◆ Ligue o carregador na corrente eléctrica.
 - ◆ Verifique se o indicador vermelho de carregamento (12) se acende.
- Se em vez disso o indicador verde de final de carregamento (13) se acender, a bateria está muito quente e não pode ser carregada.

Se isso acontecer, remova a bateria do carregador, deixe-a esfriar por aproximadamente 1 hora e insira-a de novo.

Depois de aproximadamente 1 hora de carregamento, o indicador vermelho de carga (12) se apagará e o indicador verde de final de carregamento se (13) acenderá. A bateria estará então completamente carregada.

- ◆ Remova a bateria do carregador.

HP128F2/HP148F2/HP188F2 -

Verificação do estado da bateria (fig. F)

Esta ferramenta está equipada com um indicador de carga da bateria, que permite que se verifique o estado da mesma.

- ◆ Prima e segure o botão (22).
- ◆ Verifique quantas luzes se acendem (23):

	Carga da bateria
1 luz	baixa
2 luzes	média
3 luzes	alta



Seleção da direcção de rotação (fig. G)

Para perfurar e apertar parafusos, utilize a rotação "avançar" (sentido horário). Para soltar parafusos ou remover uma broca presa, utilize a rotação "inverter" (sentido anti-horário).

- ◆ Para seleccionar a rotação para avançar, empurre o selector de reversibilidade (2) para a esquerda.
- ◆ Para seleccionar a rotação inversa, empurre o selector de reversibilidade para a direita.
- ◆ Para travar a ferramenta, coloque o selector de reversibilidade na posição central.

Seleção do modo de operação ou par de aperto (fig. H)

Esta ferramenta está equipada com um anel de ajuste do par de aperto para apertar parafusos. Parafusos grandes e materiais duros requerem um par maior que parafusos pequenos e materiais mais moles. O anel dispõe de uma ampla variedade de ajustes com o fim de que a ferramenta se adapte a cada aplicação.

- ◆ Para perfurar madeira, metal e plástico, ajuste o anel (3) à posição de perfuração alinhando o símbolo  com a marca (24).
- ◆ HP148F2/HP188F2:
Para perfurar em alvenaria, ajuste o anel (3) à posição de perfuração de impacto alinhando o símbolo  com a marca (24).
- ◆ Para aparafusar, ajuste o anel à posição desejada. Se não souber qual é a posição apropriada, proceda da seguinte maneira:
 - ◆ Ajuste o anel (3) ao menor par de aperto.
 - ◆ Aperte o primeiro parafuso.
 - ◆ Se a bucha breca antes que o resultado seja conseguido, aumente o ajuste e continue a apertar o parafuso. Repita esta operação até atingir o ajuste correcto. Utilize este ajuste para o resto dos parafusos.

Selector de motor duplo (fig. I)

- ◆ Para perfurar em aço e aparafusar, empurre o selector de motor duplo (5) em direcção à parte frontal da ferramenta (primeiro motor).
- ◆ Para perfurar em aço e aparafusar, empurre o selector de motor duplo (5) em direcção à parte traseira da ferramenta (segundo motor).

Perfurar/aparafusar (fig. A)

- ◆ Selecione rotação para avançar ou inverter utilizando o selector de reversibilidade (2).
- ◆ Para ligar a ferramenta, prima o interruptor (1). A velocidade da ferramenta depende de quanto se pressiona o interruptor.
- ◆ Para desligar a ferramenta, solte o interruptor.

Sugestões para uma melhor utilização

Perfuração

- ◆ Aplique sempre uma leve pressão em linha recta com a broca.

- ◆ Um pouco antes que a broca atravesse a peça de trabalho, diminua a pressão sobre a ferramenta.
- ◆ Utilize um bloco de madeira como suporte para peças de trabalho que possam lascar.
- ◆ Utilize brocas talhadeiras quando perfurar orifícios de grande diâmetro em madeira.
- ◆ Utilize brocas de alta dureza quando perfurar em metal.
- ◆ Utilize brocas de pedra quando perfurar em alvenaria.
- ◆ Utilize um lubrificante quando perfurar em metais que não sejam ferro fundido e latão.
- ◆ Faça um entalho no centro do orifício utilizando um furador de centro para melhorar a precisão.

Aparafusamento

- ◆ Utilize sempre o tipo e tamanho correcto de ponta de aparafusar.
- ◆ Se os parafusos estão difíceis de apertar, tente aplicar uma pequena quantidade de detergente ou sabão como lubrificante.
- ◆ Segure sempre a ferramenta e a ponta de aparafusar em linha recta com o parafuso.

MANUTENÇÃO

Esta ferramenta Black & Decker foi desenvolvida para funcionar por um longo período, com um mínimo de manutenção. O funcionamento contínuo e satisfatório depende da limpeza regular e cuidado adequado da ferramenta. O seu carregador não requer qualquer manutenção além de sua limpeza regular.



Antes de executar qualquer manutenção na ferramenta, remova a bateria da ferramenta.

- ◆ Desligue o carregador da ficha antes de limpá-lo.
- ◆ Limpe regularmente as fendas de ventilação na ferramenta e no carregador utilizando uma escova macia ou pano seco.
- ◆ Limpe regularmente o compartimento do motor utilizando um pano húmido. Não utilize nenhum limpador abrasivo ou de base solvente.

- ◆ Abra regularmente o mandril e bata nele para remover qualquer poeira do interior.

AMBIENTE

Ferramentas



Leve a sua ferramenta velha a um centro de assistência técnica Black & Decker onde ela será eliminada de um modo seguro para o ambiente.

Baterias



As baterias Black & Decker podem ser recarregadas muitas vezes. No final de sua vida técnica, deite fora a bateria tomando o devido cuidado com nosso meio ambiente:

- ◆ Deixe que a bateria se descarregue completamente e depois remova-a da ferramenta.
- ◆ As baterias NiCd e NiMH são recicláveis. Leve-as ao seu distribuidor ou a uma estação local de reciclagem. As baterias recolhidas serão recicladas ou eliminadas propriamente.

Garantia

A Black & Decker confia na qualidade de seus produtos e oferece um programa de garantia excelente. Esta declaração de garantia soma-se aos seus direitos legais e não os prejudica em nenhum aspecto. A garantia será válida nos territórios dos Estados Membros da União Europeia e na Área de Livre Comércio da Europa.

Dados técnicos

		HP126F5C	HP126F2K	HP128F2K
Voltagem	V_{DC}	12	12	12
Velocidade sem carga	min^{-1}	0-400/0-1.200	0-400/0-1.200	0-400/0-1.200
Par máx.	Nm	20,2	20,2	20,2
Capacidade da bucha	mm	10	10	10
Capacidade máx. de perfuração em aço/madeira/alvenaria	mm	10/25/-	10/25/-	10/25/12
Assistência técnica no. bateria		A12F	A1712	A1712
Capacidade	Ah	1,5	1,7	1,7
Peso (sem a bateria)	kg	1,3	1,3	1,2

		HP146F2K	HP148F2K	HP188F2K
Voltagem	V_{DC}	14,4	14,4	18
Velocidade sem carga	min^{-1}	0-300/0-1.100	0-300/0-1.100	0-500/0-1.600
Par máx.	Nm	22,1	22,1	29,4
Capacidade da bucha	mm	10	13	13
Capacidade máx. de perfuração em aço/madeira/alvenaria	mm	10/30/-	13/30/12	13/35/15
Assistência técnica no. bateria		A1714	A1714	A1718
Capacidade	Ah	1,7	1,7	1,7
Peso (sem a bateria)	kg	1,3	1,4	1,4

Carregador

Voltagem	V_{AC}	230
Tempo aproximado de carregamento	h	1

Caso algum produto da Black & Decker apresente avarias devido a defeitos de material, mão-de-obra ou ausência de conformidade no prazo de 24 meses a partir da data de compra, a Black & Decker garantirá a substituição das peças defeituosas, a reparação dos produtos que foram submetidos a uso adequado e remoção ou substituição dos mesmos para assegurar o mínimo de inconvenientes ao cliente a menos que:

- ◆ O produto tenha sido utilizado para fins comerciais, profissionais ou aluguer;
- ◆ O produto tenha sido submetido a uso incorrecto ou descuido;
- ◆ O produto tenha sofrido danos causados por objectos estranhos, substâncias ou acidentes;
- ◆ Tenha um histórico de reparações efectuadas por terceiros que não sejam os agentes autorizados ou profissionais de manutenção da Black & Decker.

Para activar a garantia, será necessário enviar a prova de compra ao revendedor ou agente de reparação autorizado. Para verificar a localização do agente de reparação mais próximo de si contacte o escritório local da Black & Decker no endereço indicado neste manual. Se preferir, consulte a lista de agentes autorizados da Black & Decker e os dados completos de nossos serviços de atendimento pós-venda na Internet no endereço: **www.2helpU.com**

Visite o nosso website **www.blackanddecker.com** para registar o seu novo produto Black & Decker e para se manter actualizado sobre novos produtos e ofertas especiais. Estão disponíveis mais informações sobre a Black & Decker e sobre a nossa gama de produtos em **www.blackanddecker.com**

UPPLADDNINGSBAR BORRMASKIN / SKRUVDRAGARE HP126FSC/HP126F2K/ HP128F2K/HP146F2K/HP148F2K/HP188F2K

BÄSTE KUND!

Tack för att du har valt ett verktyg från Black & Decker. Vi hoppas att du kommer att få glädje av verktyget i många år.

CE-FÖRSÄKRAN OM ÖVERENSSTÄMMELSE



HP126FSC/HP126F2K/HP128F2K/
HP146F2K/HP148F2K/HP188F2K
Black & Decker förklarar att dessa verktyg är konstruerade i överensstämmelse med: 98/37/EEG, 89/336/EEG, 73/23/EEG, EN 50260, EN 55014, EN 60335, EN 61000

Ljudnivå, uppmätt enligt EN 50260:

		HP126FSC	HP126F2K	HP128F2K
L_{pA} (ljudtryck)	dB(A)	70	70	81
L_{WA} (ljudeffekt)	dB(A)	83	83	94

		HP146F2K	HP148F2K	HP188F2K
L_{pA} (ljudtryck)	dB(A)	81	81	86,5
L_{WA} (ljudeffekt)	dB(A)	94	94	99,5



Använd hörselskydd om ljudnivån överskrider 85 dB(A).

Det vägda geometriska medelvärdet av vibrationsfrekvensen enligt EN 50260:

HP126FSC	HP126F2K	HP128F2K
< 2,5 m/s ²	< 2,5 m/s ²	5,6 m/s ²

HP146F2K	HP148F2K	HP188F2K
< 2,5 m/s ²	5,6 m/s ²	7,3 m/s ²

Colin Wills, Director of Engineering
BDCI, 4/F, 2 Dai Wang Street
Tai Po Industrial Estate
Tai Po NT, Hong Kong

ANVÄNDNINGSSOMRÅDE

Din bormaskin/skruvdragare från Black & Decker - HP126F2/HP146F2 - kan användas till skruvdragnin och borrar i trä, metall och plast.
Din bormaskin/skruvdragare från Black & Decker - HP148F2/HP188F2 - kan användas till skruvdragnin och borrar i trä, metall, plast och murverk.

Verktyget är endast avsett för bruk i hemmet.

Din Black & Decker batteriladdare är avsedd för laddning av Black & Decker-batterier av den typ som medföljer verktyget.

SÄKERHETSINSTRUKTIONER

Symboler

Följande symboler har använts i bruksanvisningen:



Anger risk för personskada, livsfara eller skada på verktyg om du inte följer de instruktioner som står i bruksanvisningen.



Anger risk för elektrisk stöt.



Läs bruksanvisningen innan du använder verktyget.



Brandfara.

Lär känna verktyget



- ◆ **Varning!** När man använder uppladdningsbara verktyg är det viktigt att man bl.a. följer nedanstående säkerhetsanvisningar för att minska risken för brand, batteriläckage, personskador och materialskador.
- ◆ Läs bruksanvisningen noggrant innan du använder verktyget.
- ◆ Var säker på att du vet hur man stänger av verktyget innan du börjar använda det.
- ◆ Spara bruksanvisningen lättillgängligt.

Allmänt

1. Håll arbetsområdet i ordning

Nedskräpade ytor och arbetsbänkar inbjuder till skador.

2. Tänk på arbetsmiljöns inverkan

Utsätt inte verktyget för regn. Använd inte verktyget på fuktiga eller våta platser. Ha bra belysning över arbetsytan. Använd inte verktyget där det finns risk för eldsvåda eller explosion, t.ex. i närheten av lättantändliga vätskor eller gaser.

3. Utom räckhåll för barn

Tillåt inte barn, besökande eller djur att komma i närheten av arbetsplatsen eller att röra vid verktyget.

4. Klä dig rätt

Bär inte löst hängande kläder eller smycken. De kan fastna i rörliga delar. Gummihandskar och halkfria skor rekommenderas vid utomhusarbeten. Använd hårnät om du har långt hår.

5. Skyddskläder

Använd alltid skyddsglasögon. Använd ansiktsmask om arbetet förorsakar damm eller partiklar i luften. Använd hörselskydd om du besväras av ljudnivån.

6. Sträck dig inte för mycket

Se till att du alltid har säkert fotfäste och balans.

7. Var uppmärksam

Titta på det du gör. Använd sunt förnuft. Använd inte verktyget när du är trött.

8. Sätt fast arbetsstycket

Använd skruvtingar eller ett skruvstycke för att hålla fast arbetsstycket. Det är säkrare än att använda handen och du får bägge händerna fria för arbetet.

9. Anslut dammutsugningsutrustning

Om möjligheter finns för anslutning av utrustning för dammutsugning och dammupsamling ska sådan utrustning anslutas och användas på korrekt sätt. OBS! Använd endast grovsugare.

10. Tag bort nycklar

Kontrollera att nycklar och justerverktyg har tagits bort från verktyget innan det startas.

11. Använd rätt verktyg

Använd inte verktyg för ändamål de inte är avsedda för. Tvinga inte verktyget att göra arbeten som är avsedda för kraftigare verktyg. Överbelasta inte verktyget.

Varning! Använd endast tillbehör och tillsatser som är rekommenderade i bruksanvisningen och katalogerna. Användning av annat verktyg eller tillbehör kan innebära risk för personskada.

12. Kontrollera verktyget för skador

Kontrollera verktyget för skador innan du använder det. Kontrollera att de rörliga delarna inte har fastnat eller är felmonterade. Kontrollera även att övriga delar och skydd inte är skadade och att det inte föreligger några andra fel som kan påverka verktygets funktion. Kontrollera att verktyget fungerar riktigt och kan utföra de avsedda funktionerna. Använd inte verktyget om fel uppstår på någon av dess delar. Använd inte verktyget om det inte kan kopplas till och från med strömbrytaren. Om fel uppstår skall delarna repareras eller bytas ut av en auktoriserad Black & Decker serviceverkstad. Försök aldrig reparera verktyget själv.

13. Tag ur batteriet

Tag ur batteriet när verktyget inte används samt före byte av någon del av verktyget, tillbehör eller tillsats och innan serviceåtgärder utförs.

14. Undvik oavsiktlig start

Bär aldrig verktyget med ett finger på strömbrytaren. Se till att verktyget är avstängt när du sätter i batteriet i verktyget.

15. Misshandla inte sladden

Bär aldrig laddaren i sladden och använd inte sladden för att dra ut kontakten. Utsätt inte sladden för värmekällor, olja eller skarpa kanter.

16. Förvara verktyg säkert

När verktyget inte används skall det samt batterierna och laddare förvaras på en torr plats utom räckhåll för barn.

17. Sköt verktyget med omsorg

Håll verktyget rent och använd skarpa tillbehör för bättre prestanda och säkrare drift. Följ instruktionerna beträffande skötsel och byte av tillbehör. Håll handtagen och strömbrytare torra, rena och fria från olja och fett.

18. Reparationer

Detta verktyg uppfyller gällande säkerhetskrav. Reparationer ska utföras av en auktoriserad Black & Decker serviceverkstad som använder originaldelar, annars kan användaren utsättas för stor fara.

Extra säkerhetsföreskrifter för batterier och laddare

Batterier

- ◆ Försök aldrig öppna batteriet.
- ◆ Utsätt inte batteriet för vatten.
- ◆ Förvara inte batteriet i utrymmen där temperaturen kan överstiga 40 °C.
- ◆ Ladda endast inom temperaturområdet 4 °C till 40 °C.
- ◆ Ladda endast med laddaren som medföljer (se tekniska data).
- ◆ Kontrollera före laddningen att batteriet är torrt och rent.
- ◆ Använd endast batterier avsedda för verktyget (se tekniska data).
- ◆ När batterierna kasseras skall instruktionerna i kapitlet "Miljö" följas.
- ◆ Under extrema förhållanden kan batteriläckage uppstå. Om du upptäcker vätska från batteriet skall följande iakttagas:
 - Torka försiktigt bort vätskan med en trasa. Undvik kontakt med huden.
 - Vid kontakt med huden eller ögonen skall instruktionerna nedan följas.



Batterivätskan, en 25-30% lösning av kaliumhydroxid, kan vara skadlig. Vid kontakt med huden, spola omedelbart med vatten. Neutralisera med en svag syra, t ex citronjuice eller ättika. Vid kontakt med ögonen, skölj rikligt med vatten i minst 10 minuter. Kontakta läkare.



Brandfara! Undvik att kontakterna på ett fränkopplat batteri kortsluts av metall (t ex vid förvaring av batteriet i en verktygslåda).



Batteriet får ej eldas upp.



Använd aldrig ett skadat batteri.

Laddare

- ◆ Använd Black & Decker-laddaren endast tillsammans med det batteri som medföljer verktyget. Andra typer av batterier kan explodera och förorsaka person- och materialskador.
- ◆ Försök aldrig ladda icke uppladdningsbara batterier.
- ◆ Byt genast ut skadade sladdar.
- ◆ Utsätt inte laddaren för vatten.
- ◆ Öppna inte laddaren.
- ◆ Gör ingen åverkan på laddaren.



Endast avsedd för inomhusbruk.

Extra säkerhetsföreskrifter för bormaskin/skruvdragare

- ◆ Kontrollera var de elektriska ledningarna och rörledningarna är installerade innan du borrar i väggar, golv och tak.
- ◆ Rör inte borrarspetsen omedelbart efter det att borret har stannat eftersom det kan vara varmt.

ELEKTRISK SÄKERHET

Kontrollera att laddarens spänning överensstämmer med nätspänningen.



Laddaren är dubbelisolerad motsvarande EN 60335; jordledare är således överflödigt.

Användning med förlängningsladd

Om du behöver använda en förlängningsladd till laddaren, använd en godkänd förlängningsladd lämpad för den här laddarens strömförbrukning (se märkplåten). Om du använder en sladdvinda, vira alltid av hela sladden.

ÖVERSIKT (fig. A)

1. Steglös strömbrytare
2. Reglage höger- vänstergång
3. Lägesväljare/Krage för justering av vridmoment
4. Chuck
5. Växelnreglage
6. Indikator för batteriladdning (HP128F2/HP148F2/HP188F2)
7. Bitshållare
8. Sidohandtag (HP188F2)
9. Batteri
10. Frikopplingsknapp - batteri
11. Laddare
12. Laddningsindikator - laddning pågår
13. Laddningsindikator - full laddning

MONTERING

Montering och borttagning av batteri (fig. B)

- ◆ Vid montering riktas batteriet (9) in mot hållaren på verktyget. Skjut sedan in batteriet i hållaren tills det snäpper fast på plats.
- ◆ Vid borttagning av batteriet trycker du på frikopplingsknappen (10) och drar ut det ur hållaren.

Montering och borttagning av borrar och bits (fig. A & C)

För att det ska vara lätt att byta borrar och bits är verktyget försett med en snabbchuck.

- ◆ Lås verktyget genom att ställa reglaget (2) i mittläget (fig. A).
- ◆ Öppna chucken genom att vrida den främre delen (15) med en hand medan du håller den bakre delen (16) på plats med den andra handen (fig. C).
- ◆ För in tillbehöret (17) i chucken.

- ◆ Drag åt chucken stadigt genom att vrida den främre delen (15) med en hand medan du håller fast den bakre delen (16) med den andra handen.

Verktygets bitshållare är utrustad med ett dubbelsidigt bits (7) (fig. A).

- ◆ För att ta ut bitset, drar du ut det ur hållaren.
- ◆ För förvaring trycker du fast bitset i hållaren.

HP126F2/HP146F2 -

Montering och borttagning av chucken (fig. D)

På dessa modeller kan chucken lätt tagas av och sättas tillbaka.

Om ditt arbete omfattar både skruvdragnig och borrar kan du sätta ett bits i spindeln och ett borrar i chucken: då behöver du bara ta bort chucken när du skall skruva och sätta tillbaka den när du skall borra. Bitset kan sitta kvar i spindeln när du borrar. Även borrar med sexkantskaft kan monteras på detta sätt.

- ◆ Tag bort chucken (4) genom att hålla spärrknapparna (18) intryckta och dra chucken från spindeln (19).
- ◆ Montera ett nytt bits (20) genom att skjuta in det i spindeln (19) enligt bilden. Tag bort bitset genom att dra ringen (21) bakåt och dra ut bitset ur spindeln.
- ◆ Sätt tillbaka chucken genom att skjuta den över spindeln tills den sitter stadigt på plats.



Kontrollera alltid att chucken sitter fast ordentligt.

HP188F2 - Montering av sidohandtaget (fig. A)

- ◆ Lossa sidohandtaget (8) genom att vrida det motsols.
- ◆ Skjut sidohandtaget över chucken på kåpan.
- ◆ Drag åt sidohandtaget genom att vrida det medsols.

ANVÄNDNING



Överbelasta inte maskinen, låt den arbeta i sin egen takt.

Laddning av batteriet (fig. E)

Batteriet måste laddas innan det används första gången och alltid när verktyget inte längre fungerar effektivt.

Ett nytt batteri, eller ett batteri som bara har använts någon kortare tid, uppnår full kapacitet först efter ca. 5 upp- och urladdningar. Batteriet kan bli varmt under laddningen; detta är en normal företeelse och indikerar inte något fel.



Ladda inte batteriet om lufttemperaturen är lägre än 4 °C eller högre än 40 °C. Rekommenderad temperatur vid laddning: cirka 24 °C.

Efter normal användning, brukar en laddningstid på 60 minuter vara tillräcklig för att ge de flesta apparater tillräckligt med ström. Ändå kan en längre laddningstid, upp till 90 minuter, öka användningstiden avsevärt, beroende på batteriet och laddningsförhållandena.

- ◆ När batteriet (9) ska laddas tas det ur verktyget och placeras i laddaren (11). Det finns bara ett sätt att sätta batteriet i laddaren. Bruka inte våld. Kontrollera att batteriet sitter ordentligt i laddaren.
- ◆ Sätt in laddarens kontakt i vägguttaget.
- ◆ Kontrollera att den röda laddningsindikatorn (12) tänds. Om den gröna laddningsindikatorn (13) lyser istället betyder det att batteriet är för varmt och inte kan laddas. Om detta händer skall batteriet tas ut ur laddaren och svalna under cirka 1 timme, varefter det placeras i laddaren igen.

Efter cirka 1 timmes laddning släcks den röda laddningsindikatorn (12) och den gröna laddningsindikatorn (13) tänds. Batteriet är nu fulladdat.

- ◆ Tag ut batteriet ur laddaren.

HP128F2/HP148F2/HP188F2 -

Kontroll av batteriladdningen (fig. F)

Detta verktyg är försett med en indikator för batteriladdning, så att du kan kontrollera hur mycket laddning som finns kvar.

- ◆ Tryck på knappen (22) och håll den intryckt.
- ◆ Se efter hur många lampor (23) som lyser:

	Batteriladdning
1 lampa	låg laddning
2 lampor	medelhög laddning
3 lampor	hög laddning



Höger-/vänstergång (fig. G)

När du borrar och skruvar i skruvar ska verktyget rotera framåt (medurs). För att lossa skruvar eller ta loss ett borr som har fastnat används rotation bakåt (motsols).

- ◆ Välj rotation framåt genom att föra reglaget (2) till vänster.
- ◆ Välj rotation bakåt genom att föra reglaget (2) till höger.
- ◆ Lås verktyget genom att ställa reglaget i mittläget.

Val av driftläge eller vridmoment (fig. H)

Verktyget är försett med en krage för val av driftläge, och för att ställa in vridmomentet för iskrivning av skruvar. Stora skruvar och hårda arbetsmaterial kräver högre vridmoment än små skruvar och mjukare arbetsmaterial. Kragen kan ställas in många olika lägen, för att passa dina behov.

- ◆ För borring i trä, metall eller plast ska kragen (3) vridas till borrningsläget, d.v.s. med symbolen  vid märket (24).
- ◆ HP148F2/HP188F2: För borring i murverk ska kragen (3) vridas till slagborrsläget, d.v.s. med symbolen  vid märket (24).
- ◆ För skruvdragning ställer du in kragen i önskat läge. Om du inte är säker på rätt inställning, ska du följa nedanstående instruktioner:
 - ◆ Ställ kragen (3) i lägsta vridmoment.
 - ◆ Dra åt den första skruven.
 - ◆ Om kopplingen frigörs innan rätt resultat uppnås skall vridmomentet ökas. Fortsätt därefter att skruva. Repetera tills rätt inställning erhålles. Använd denna inställning för de återstående skruvarna.

Växelreglage (fig. I)

- ◆ För borring i stål och iskrivning av skruvar ska växeln med två lägen (5) skjutas framåt (1:ans växel).
- ◆ För borring i andra material än stål ska växeln med två lägen (5) skjutas bakåt (2:ans växel).

Borning och skruvdragning (fig. A)

- ◆ Välj rotation framåt eller bakåt med reglaget (2).
- ◆ Tryck på strömbrytaren (1) för att starta verktyget. Verktygets hastighet beror på hur långt strömbrytaren trycks in.
- ◆ Släpp strömbrytaren för att stanna verktyget.

Råd för bästa resultat

Borning

- ◆ Borret skall tryckas lätt och rakt ner mot arbetsstycket.
- ◆ Alldeles innan borret kommer ut på andra sidan av arbetsstycket skall trycket på verktyget lättas.
- ◆ Använd en träbit under arbetsstycket för att undvika splittring.
- ◆ Använd ett flatborr/spiralborr när du skall borra hål med stor diameter i trä.
- ◆ Använd HSS-borr vid borring i metall.
- ◆ Använd betongborr vid borring i murverk.
- ◆ Använd smörjmedel vid borring i metaller, förutom gjutjärn och mässing.
- ◆ För bättre precision bör du slå ett körslag i mitten av hålet som skall borras.

Skruvdragning

- ◆ Använd alltid rätt typ och storlek på bitset.
- ◆ Om det är svårt att dra åt skruven kan lite flytande tvättmedel eller tvål anbringas som smörjmedel.
- ◆ Håll alltid verktyget och bitset i rak linje med skruven.

SKÖTSEL

Ditt Black & Decker verktyg har tillverkats för att fungera under lång tid med ett minimum av skötsel. Med rätt underhåll och regelbunden rengöring bibehåller verktyget sin prestanda. Laddaren behöver inget underhåll förutom regelbunden rengöring.



- ◆ Tag bort batteriet innan underhåll utförs på verktyget.
- ◆ Tag ur laddarens kontakt före rengöring.
- ◆ Rengör ventilationsöppningarna på verktyget och laddaren regelbundet med en mjuk borste eller torr trasa.

- ◆ Rengör kåpan regelbundet med en fuktig trasa. Använd aldrig lösningsmedel eller frätande rengöringsmedel.
- ◆ Öppna chocken regelbundet och knacka på den för att avlägsna eventuellt damm som hamnat inuti den.

MILJÖ

Verktyg



När ditt verktyg är utslitet, skydda naturen genom att inte slänga det tillsammans med vanligt avfall. Lämna det till de uppsamlingsställen som finns i din kommun eller där du köpt verktyget.

Batterier



Black & Decker batterierna kan laddas många gånger. Skydda miljön genom att lämna kasserade batterier till därför avsedd uppsamlingsplats.

- ◆ Ladda ur batteriet helt och tag sedan bort det från verktyget.
- ◆ NiCd och NiMH batterier är återvinningsbara. Lämna dem till inköpsstället eller den lokala återvinningsstationen. Återlämnade batterier återvinns eller sänds till särskilda behandlingsanläggningar.

Reservdelar / reparationer

Reservdelar finns att köpa hos auktoriserade Black & Decker verkstäder, som även ger kostnadsförslag och reparerar våra produkter.

Förteckning över våra auktoriserade verkstäder finns på Internet, vår hemsida

www.blackanddecker.se samt www.2helpU.com

Garanti

Black & Decker garanterar att produkten är fri från material- och/eller fabriktionsfel vid leverans till kund. Garantin är i tillägg till konsumentens lagliga rättigheter och påverkar inte dessa. Garantin gäller inom medlemsstaterna i Europeiska Unionen och i det Europeiska Frihandelsområdet.

Om en Black & Decker produkt går sönder på grund av material- och/eller fabriktionsfel eller brister i överensstämmelse med specifikationen, inom 24 månader från köpet, åtar sig Black & Decker att reparera eller byta ut produkten med minsta besvär för kunden.

Garantin gäller inte för fel som beror på:

- ◆ normalt slitage
- ◆ felaktig användning eller skötsel
- ◆ att produkten skadats av främmande föremål, ämnen eller genom olyckshändelse

Garantin gäller inte om reparation har utförts av någon annan än en auktoriserad Black & Decker verkstad.

För att utnyttja garantin skall produkten och inköpskvittot lämnas till återförsäljaren eller till en auktoriserad verkstad senast 2 månader efter det att felet har upptäckts. För information om närmaste auktoriserad verkstad; kontakta det lokala Black & Decker kontoret på den adress som är angiven i bruksanvisningen. En lista på alla auktoriserade verkstäder samt servicevillkor finns även tillgängligt på Internet, adress:

www.2helpU.com

Besök vår webbplats www.blackanddecker.se för att registrera din nya Black & Decker-produkt samt för att erhålla information om nya produkter och specialerbjudanden. Vidare information om märket Black & Decker och vårt produktsortiment kan återfinnas på www.blackanddecker.se

Tekniska data

		HP126F5C	HP126F2K	HP128F2K
Spänning	V_{DC}	12	12	12
Obelastad hastighet	min^{-1}	0-400/0-1.200	0-400/0-1.200	0-400/0-1.200
Maximalt vridmoment	Nm	20,2	20,2	20,2
Chuck-kapacitet	mm	10	10	10
Maximal borrhkapacitet för stål/trä/murverk	mm	10/25/-	10/25/-	10/25/12
Service nr. batteri		A12F	A1712	A1712
Kapacitet	Ah	1,5	1,7	1,7
Vikt (utan batteri)	kg	1,3	1,3	1,2

		HP146F2K	HP148F2K	HP188F2K
Spänning	V_{DC}	14,4	14,4	18
Obelastad hastighet	min^{-1}	0-300/0-1.100	0-300/0-1.100	0-500/0-1.600
Maximalt vridmoment	Nm	22,1	22,1	29,4
Chuck-kapacitet	mm	10	13	13
Maximal borrhkapacitet för stål/trä/murverk	mm	10/30/-	13/30/12	13/35/15
Service nr. batteri		A1714	A1714	A1718
Kapacitet	Ah	1,7	1,7	1,7
Vikt (utan batteri)	kg	1,3	1,4	1,4

Laddare

Spänning	V_{AC}	230
Laddningstid cirka	tim	1

OPPLADBAR DRILL/SKRUTREKKER HP126FSC/HP126F2K/HP128F2K/ HP146F2K/HP148F2K/HP188F2K

KJÆRE KUNDE!

Du har valgt et Black & Decker verktøy. Vi håper at du vil ha glede av dette verktøyet i mange år fremover.



Colin Wills

Director of Engineering
BDCI, 4/F, 2 Dai Wang Street
Tai Po Industrial Estate
Tai Po NT, Hong Kong

CE-SIKKERHETSERKLÆRING



HP126FSC/HP126F2K/HP128F2K/
HP146F2K/HP148F2K/HP188F2K

Black & Decker erklærer at disse verktøyer er konstruert i henhold til:

98/37/EØF, 89/336/EØF, 73/23/EØF,
EN 50260, EN 55014, EN 60335, EN 61000

Lydnivået, målt i henhold til EN 50260:

		HP126FSC	HP126F2K	HP128F2K
L_{pA} (lydnivå)	dB(A)	70	70	81
L_{WA} (lydeffekt)	dB(A)	83	83	94

		HP146F2K	HP148F2K	HP188F2K
L_{pA} (lydnivå)	dB(A)	81	81	86,5
L_{WA} (lydeffekt)	dB(A)	94	94	99,5



Bruk hørselsvern dersom lydnivået overskrider 85 dB(A).

Den veide geometriske middelverdien av vibrasjonsfrekvensen i følge EN 50260:

HP126FSC	HP126F2K	HP128F2K
< 2,5 m/s ²	< 2,5 m/s ²	5,6 m/s ²

HP146F2K	HP148F2K	HP188F2K
< 2,5 m/s ²	5,6 m/s ²	7,3 m/s ²

BRUKSOMRÅDER

Black & Decker drill/skrutrekker HP126F2/HP146F2 er konstruert for skruing og boring i tre, metall og plast.

Black & Decker drill/skrutrekker HP148F2/HP188F2 er konstruert for skruing og boring i tre, metall, plast og mur.

Verktøyet er tiltenkt kun for bruk i hjemmet.

Din Black & Decker lader er konstruert for å lade Black & Decker batterier av den typen som leveres med verktøyet.

SIKKERHETSINSTRUKSJONER

Symboler

Følgende symboler brukes i denne bruksanvisningen:



Betegner risiko for personskade, livsfare eller skade på verktøyet dersom instruksene i denne bruksanvisningen ikke følges.



Betegner risiko for elektrisk støt.



Les bruksanvisningen før du bruker verktøyet.



Brannfare.

Lær verktøyet å kjenne



- ◆ **Advarsel!** Når du bruker oppladbare verktøy, må du følge en del grunnleggende sikkerhetsregler, se nedenfor, for å redusere faren for brann, batterilekkasjer, personskade og materialskade.
- ◆ Ta deg tid til å lese nøye gjennom bruksanvisningen før du begynner å bruke verktøyet.
- ◆ Vær sikker på at du vet hvordan man slår av verktøyet før du begynner å bruke det.
- ◆ Oppbevar bruksanvisningen på et lett tilgjengelig sted.

Generelt

1. **Hold arbeidsområdet rent og ryddig**
En uryddig arbeidsplass innbyr til skader.
2. **Tenk på arbeidsmiljøets innvirkning**
Utsett ikke verktøyet for regn. Bruk ikke verktøyet under våte eller fuktige forhold. Pass på at arbeidsområdet er godt opplyst. Bruk ikke verktøyet hvor det er fare for forårsaking av brann eller en eksplosjon, f. eks. i nærheten av brannfarlige væsker eller gasser.
3. **Hold barn unna**
Barn, besøkende eller dyr må ikke komme i nærheten av arbeidsområdet eller i kontakt med verktøyet.
4. **Kle deg riktig**
Ha ikke på deg løstsittende klær eller smykker. De kan sette seg fast i de bevegelige delene. Vi anbefaler gummihandsker og sko som ikke glir når du arbeider utendørs. Bruk hårnett hvis du har langt hår.
5. **Personlig vern**
Bruk vernebriller. Bruk en ansikts- eller støvmaske når operasjonene kan forårsake støv eller flyvende partikler. Bruk ørevern når støynivået virker ukomfortabelt.
6. **Strekk deg ikke for langt**
Pass på at du alltid har sikkert fotfeste og balanse.

7. Vær oppmerksom

Se på det du gjør. Bruk sunn fornuft. Bruk ikke maskinen når du er trett.

8. Sikre arbeidsstykket

Bruk tvinger eller skrustikker til å feste arbeidsstykket med. Dette er sikrere enn å bruke hånden, og du får begge hendene fri til å styre verktøyet.

9. Kople til støvutsugsutstyr

Hvis det følger med utstyr for tilkople av støvutsug og støvoppsamling, må du sørge for at dette koples til og brukes riktig. Bruk kun industristøvsuger.

10. Fjern nøkler

Gjør det til vane å sjekke om nøkler og justeringsverktøy er fjernet før verktøyet startes.

11. Bruk riktig verktøy

Bruk ikke verktøyet til formål det ikke er ment for. Tving ikke en maskin til å gjøre arbeid som krever kraftigere verktøy. Overbelast ikke verktøyet.

Advarsel! Bruk bare tilbehør og utstyr som anbefales i bruksanvisningen og i katalogene. Bruk av annet verktøy eller tilbehør kan medføre en mulig risiko for personskade.

12. Sjekk verktøyet for skader

Kontroller verktøyet nøye for skade før bruk. Kontroller at de bevegelige delene ikke har satt seg fast eller er feilmontert. Kontroller også at de øvrige delene og beskyttelsene ikke er skadet og at det ikke foreligger noen andre feil som kan påvirke verktøyets funksjon. Kontroller at verktøyet fungerer som det skal og utfører beregnet funksjon. Bruk aldri verktøyet hvis noen av delene er skadet. Ikke bruk verktøyet hvis det ikke er mulig å slå det på og av med strømbryteren. Hvis feil oppstår skal delene repareres eller byttes ut av et autorisert Black & Decker serviceverksted. Prøv aldri å reparere selv.

13. Fjern batteriet

Ta ut batteriet når verktøyet ikke er i bruk, før du bytter noen av delene på verktøyet, tilbehør eller tilslutning og før vedlikehold.

14. Unngå utilsiktet start

Bær aldri verktøyet med fingeren på strømbryteren.

Pass på at verktøyet er slått av når du setter inn batteriet.

15. Ikke mislighold ledningen

Bær aldri laderen i ledningen og bruk ikke ledningen for å dra ut kontakten. Utsett ikke ledningen for varme, olje, eller skarpe kanter.

16. Oppbevar verktøy på et trygt sted

Når det ikke er i bruk, må verktøy, batteri og lader oppbevares på et tørt sted, og slik at det ikke er tilgjengelig for barn.

17. Vær nøye med vedlikeholdet

Hold verktøyet rent og bruk skarpe tilbehør for bedre prestasjon og sikrere drift.

Følg forskriftene når det gjelder vedlikehold og skifte av tilbehør. Hold håndtakene og brytere tørre, rene og fri for olje og fett.

18. Reparasjoner

Dette verktøyet overholder relevante sikkerhetskrav. Reparasjoner må bare utføres av autoriserte Black & Decker serviceverksteder som benytter originale reservedeler, ellers kan det være farlig å bruke utstyret.

Ekstra sikkerhetsforskrifter for batterier og ladere

Batterier

- ◆ Må aldri åpnes.
- ◆ Må ikke komme i kontakt med vann.
- ◆ Må ikke oppbevares på steder hvor temperaturen kan overstige 40 °C.
- ◆ Må bare lades i lufttemperaturer mellom 4 °C og 40 °C.
- ◆ Lad bare med laderen som følger med verktøyet (se tekniske data).
- ◆ Før opplading, pass på at batteriet er tørt og rent.
- ◆ Bruk bare den korrekte type batteri for verktøyet (se tekniske data).
- ◆ Når du kasserer batteriet, følger du instruksene som er gitt i seksjonen "Miljø".
- ◆ Under ekstreme forhold, kan batterilekkasje forekomme. Hvis du merker væske på batteriet, må du gjøre som følger:
 - Tørk forsiktig væsken med et tøyestykke.
 - Unngå kontakt med huden.
 - I tilfeller hvor det oppstår kontakt med hud eller øyne, skal instruksjonene nedenfor følges.



Batterivæsken, en 25-30 % løsning av kaliumhydroksid, kan være skadelig. Hvis det oppstår berøring med hud, må du straks skylle med vann. Nøytraliser med en svak syre, f.eks. sitronsaft eller eddik. Hvis du får væsken i øynene, må du rense dem med rikelig rent vann i minst 10 minutter. Kontakt lege.



Brannfare! Unngå at metall kortslutter kontaktene på et batteri som er tatt ut (f.eks. ved oppbevaring av batteriet i en verktøykasse).



Ikke brenn batteriet.



Bruk aldri et skadet batteri.

Ladere

- ◆ Bruk din Black & Decker lader kun sammen med det batteriet som blir levert med verktøyet. Andre typer av batterier kan eksplodere og forårsake person- og materialskader.
- ◆ Forsøk aldri å lade ikke oppladbare batterier.
- ◆ Bytt straks ut defekte ledninger.
- ◆ Må ikke komme i kontakt med vann.
- ◆ Laderen må ikke åpnes.
- ◆ Ikke skad eller mislighold laderen.



Kun tiltenkt for bruk i hjemmet.

Ekstra sikkerhetsinstruksjoner for drill/skrutrekker

- ◆ Før boring i vegger, gulv eller tak, undersøk hvor elektriske ledninger og rør befinner seg.
- ◆ Unngå å berøre borspissen rett etter at du har boret, da den kan være varm.

ELEKTRISK SIKKERHET

Kontroller at spenningen til laderen tilsvarer nettspenningen.



Laderen er dobbeltisolert i samsvar med EN 60335. Jordet ledning er derfor ikke nødvendig.

Bruk av skjøteledning

Hvis det er nødvendig å bruke skjøteledning til laderen, må man bruke en godkjent skjøteledning som er beregnet for denne laderens strømforbruk (se typeskiltet). Hvis du bruker en ledningtrommel, bør du alltid vikle ledningen helt av først.

OVERSIKT (fig. A)

1. Trinnløs strømbryter
2. Bryter for høyre-/venstregange
3. Justering for funksjonsvalg/vrimoment
4. Chuck
5. Girvelger
6. Indikator for batterilading
(HP128F2/HP148F2/HP188F2)
7. Bitsholder
8. Sidehåndtak (HP188F2)
9. Batteri
10. Utløserknapp for batteriet
11. Lader
12. Ladeindikator - lading pågå
13. Ladeindikator - lading fullført

MONTERING

Montere og fjerne batteriet (fig. B)

- ◆ Når du skal sette i batteriet (9), holder du det på høyde med holderen på verktøyet. Skyv batteriet inn i holderen, og trykk til det sitter på plass.
- ◆ Når du skal fjerne batteriet, trykker du på de to utløserknappene (10) samtidig, mens du drar batteriet ut av holderen.

Montering og fjerning av bor og bits (fig. A & C)

Dette verktøyet er utstyrt med en nøkkelfri chuck for å forenkle skifting av bor og bits.

- ◆ Lås verktøyet ved å stille bryteren for høyre-/venstregange (2) på midtstillingen (fig. A).
- ◆ Du åpner chucken ved å dreie den forreste delen (15) med den ene hånden, mens du holder i den bakerste delen (16) med den andre hånden (fig. C).
- ◆ Sett tilbehøret (17) inn i chucken.
- ◆ Skru chucken godt fast ved å dreie den forreste delen (15) med den ene hånden mens du holder den bakerste delen (16) med den andre.

Dette verktøyet leveres med en tosidig bits i bitsholderen (7) (fig. A).

- ◆ For å fjerne bitsen, løfter du den ut av holderen.
- ◆ For å oppbevare bitsen trykker du den godt inn i holderen.

HP126F2/HP146F2 - -Montere og fjerne chucken (fig. D)

Det er lett å ta av chucken og sette den på igjen på disse modellene. Hvis du både skal bore og skru, setter du en bits i spindelen og et bor i chucken, da trenger du bare å ta av chucken når du skal skru og sette den på igjen når du skal bore. Bitsen kan stå i spindelen under boring. Også bor med sekskantskaft kan monteres på denne måten.

- ◆ Når du skal ta av chucken (4), holder du utløserne (18) nede og trekker chucken av spindelen (19).
- ◆ Sett inn en bits (20) ved å trykke den inn på spindelen (19) som vist. Du fjerner bitsen ved å trekke ringen (21) tilbake og trekke skrutrekkerbiten av spindelen.
- ◆ Chucken settes på igjen ved å trykke den inn på spindelen til den sitter godt på plass.



Kontroller alltid at chucken er riktig festet.

HP188F2 - Sette på sidehåndtaket (fig. A)

- ◆ Løsne sidehåndtaket (8) ved å dreie den mot klokken.
- ◆ Skyv sidehåndtaket over chucken på kåpen.
- ◆ Stram sidehåndtaket ved å dreie den med klokken.

ANVENDELSE



La verktøyet jobbe i sin egen hastighet. Ikke overbelast.

Lade batteriet (fig. E)

Batteriet må lades før første gangs bruk og alltid når verktøyet ikke lenger fungerer effektivt.

Et nytt batteri, eller et batteri som ikke har vært brukt på en lang tid, oppnår full ytelse først etter at det har vært oppladet og utladet ca. 5 ganger. Batteriet kan bli varmt mens det lades; dette er normalt og indikerer ikke at noe er feil.



Lad ikke batteriet hvis lufttemperaturen er under 4 °C eller over 40 °C.

Anbefalt ladingstemperatur: ca. 24 °C.

Etter normal bruk vil en oppladingstid på 60 minutter gi nok strøm til de fleste bruksområder. Lengre ladetid på opptil 90 minutter kan øke brukstiden betydelig, avhengig av batteriet og ladingen.

- ◆ Du lader batteriet (9) ved å ta det ut av verktøyet og sette det inn i laderen (11). Det er bare en måte å plassere batteriet inn i laderen på.

Ikke bruk makt. Pass på at batteriet ligger ordentlig på plass i laderen.

- ◆ Sett laderens kontakt i vegguttaket.
- ◆ Sjekk om den røde ladeindikatoren (12) lyser. Hvis den grønne ladeindikatoren (13) lyser i stedet, er batteriet for varmt og kan ikke lades. Hvis dette skjer, tar du batteriet ut av laderen, lar det avkjøles i 1 time og setter det inn igjen.

Etter ca. 1 times lading, vil den røde ladeindikatoren (12) slukke og den grønne ladeindikatoren (13) lyser.

Batteriet er nå ferdig oppladet.

- ◆ Ta batteriet ut av laderen.

HP128F2/HP148F2/HP188F2 -

Kontroll av batteriladingen (fig. F)

Dette verktøyet er utstyrt med en indikator for batterilading, som kan brukes til å sjekke tilstanden til batteriet.

- ◆ Hold knappen (22) nede.
- ◆ Se etter hvor mange av lampene (23) som lyser:

	Batterilading
1 lampe	lav
2 lamper	middels
3 lamper	høy

Høyre-/venstregange (fig. G)



Til boring og isetting av skruer skal verktøyet rotere forover (med klokken). For å løsne skruer eller fjerne et blokkert bor bruker du rotasjon bakover (mot klokken).

- ◆ For å velge rotasjon forover trykker du bryteren for høyre-/venstregange (2) mot venstre.
- ◆ For å velge rotasjon bakover trykker du bryteren for høyre-/venstregange (2) mot høyre.

- ◆ For å låse verktøyet stiller du bryteren for høyre-/venstregange i midtstilling.

Valg av funksjon eller vrimoment (fig. H)

Dette verktøyet er utstyrt med en justering for valg av funksjon og for innstilling av vrimomentet for isetting av skruer. Store skruer og harde materialer krever en høyere innstilling av vrimomentet enn små skruer og myke materialer. Justeringen har en lang rekke innstillinger som passer til ditt bruk.

- ◆ For boring i tre, metall og plast stiller du justeringen (3) inn på boreposisjon ved å sette symbolet  på linje med merket (24).
- ◆ HP148F2/HP188F2:
For boring i mur stiller du justeringen inn (3) på slagborposisjon ved å sette symbolet  på linje med merket (24).
- ◆ For skruing stilles justeringen på den ønskede innstillingen. Hvis du ikke kjenner den egnede innstillingen, gjør du slik:
 - ◆ Sett justeringen (3) på det laveste vrimomentet.
 - ◆ Stram den første skruen.
 - ◆ Hvis koplingen frigjøres før det ønskete resultatet er oppnådd, øker du innstillingen på justeringen og fortsetter å stramme skruen. Gjenta dette til du har oppnådd den korrekte innstillingen. Bruk denne innstillingen for de resterende skruene.

Girvelger (fig. I)

- ◆ For boring i stål og for skruarbeider skyver du girvelgeren (5) fremover (1. gir).
- ◆ For boring i andre materialer enn stål skyver du girvelgeren (5) bakover (2. gir).

Boring og skruing (fig. A)

- ◆ Velg rotasjon forover eller bakover med bryteren (2).
- ◆ For å starte verktøyet på trykker du inn strømbryteren (1). Verktøyet hastighet er avhengig av hvor langt inn du trykker strømbryteren.
- ◆ Slipp strømbryteren for å stanse verktøyet.

Råd for optimalt resultat

Boring

- ◆ Boret skal trykkes lett og rett ned på arbeidsstykket.
- ◆ Like før boret bryter igjennom på den andre siden av arbeidsstykket, slipper du trykket litt.
- ◆ Bruk en trebit under arbeidsstykket for å unngå splintring.
- ◆ Bruk et flatbor/spiralbor når du skal bore hull med stor diameter i tre.
- ◆ Bruk HSS-bor når du borer i metall.
- ◆ Bruk betongbor når du borer i mur.
- ◆ Bruk smøremiddel når du borer i metall utenom støpejern og messing.
- ◆ For bedre presisjon: lag en fordykning med en kjerne i midten av hullet som skal bores.

Skruing

- ◆ Bruk alltid riktig type og størrelse på bitsen.
- ◆ Hvis det er vanskelig å stramme skruene, kan du forsøke å bruke litt flytende vaskemiddel eller såpe som smøremiddel.

- ◆ Hold alltid verktøyet og bitsen i rett linje med skruen.

VEDLIKEHOLD

Ditt Black & Decker verktøy har blitt utformet for å være i drift over en lang periode med et minimum av vedlikeholdelse. Ved riktig vedlikehold og regelmessig rengjøring beholder verktøyet sin prestasjon.

Laderen din behøver ikke annet vedlikehold enn at du tørker over den med jevne mellomrom.



Før det utføres noen form for vedlikehold av verktøyet, må batteriet tas ut.

- ◆ Trekk ut kontakten når laderen skal gjøres ren.
- ◆ Rengjør ventilasjonsåpningene på verktøyet og laderen regelmessig med en myk børste eller en tørr klut.
- ◆ Rengjør kåpen regelmessig med en fuktig klut. Bruk ikke etsende eller løsemiddelbaserte rengjøringsmidler.
- ◆ Åpne opp chucken regelmessig, og slå lett på den for å fjerne eventuelt støv fra innsiden.

Tekniske data

		HP126F5C	HP126F2K	HP128F2K
Spenning	V _{DC}	12	12	12
Hastighet ubelastet	min ⁻¹	0-400/0-1.200	0-400/0-1.200	0-400/0-1.200
Maks. dreiemoment	Nm	20,2	20,2	20,2
Chuck-kapasitet	mm	10	10	10
Maks. borekap. i stål/tre/mur	mm	10/25/-	10/25/-	10/25/12
Service nr. batteri		A12F	A1712	A1712
Kapasitet	Ah	1,5	1,7	1,7
Vekt (uten batteri)	kg	1,3	1,3	1,2

		HP146F2K	HP148F2K	HP188F2K
Spenning	V _{DC}	14,4	14,4	18
Hastighet ubelastet	min ⁻¹	0-300/0-1.100	0-300/0-1.100	0-500/0-1.600
Maks. dreiemoment	Nm	22,1	22,1	29,4
Chuck-kapasitet	mm	10	13	13
Maks. borekap. i stål/tre/mur	mm	10/30/-	13/30/12	13/35/15
Service nr. batteri		A1714	A1714	A1718
Kapasitet	Ah	1,7	1,7	1,7
Vekt (uten batteri)	kg	1,3	1,4	1,4

Lader

Spenning	V _{AC}	230
Ladetid, ca	timer	1

MILJØ

Verktøy



Når verktøyet ditt er utslitt, beskytt naturen ved ikke å kaste det sammen med vanlig avfall. Lever det til en oppsamlingsplass som finnes i din kommune eller der hvor du kjøpte verktøyet.

Batterier



Black & Decker batteriene kan lades mange ganger. Beskytt miljøet ved å levere kasserte batterier til en oppsamlingsplass beregnet for dette.

- ◆ Lad ut batteriene helt og ta de så ut av verktøyet.
- ◆ NiCd og NiMH batterier er gjenvinningsbare. Lever de til innkjøpsstedet eller din lokale gjenvinningsstasjon. Innleverte batterier gjenvinnes eller sendes til et egnet behandlingsanlegg.

Reservdeler / reparasjoner

Reservdeler kan kjøpes hos autoriserte Black & Decker serviceverksteder, som også gir kostnadsoverslag og reparerer våre produkter.

Oversikt over våre autoriserte serviceverksteder finnes på Internet, vår hjemmeside www.blackanddecker.no samt www.2helpU.com

Garanti

Black & Decker garanterer at produktet ikke har material- og/eller fabrikkasjonsfeil ved levering til kunde. Garantien er i tillegg til kundens lovlige rettigheter og påvirker ikke disse. Garantien gjelder innen medlemsstatene i den Europeiske Unionen og i det Europeiske Frihandelsområdet.

Hvis et Black & Decker produkt går i stykker på grunn av material- og/eller fabrikkasjonsfeil eller har mangler i forhold til spesifikasjonene, innen 24 måneder fra kjøpet, påtar Black & Decker seg å reparere eller bytte ut produktet med minst mulig vanskelighet for kunden.

Garantien gjelder ikke for feil som kommer av:

- ◆ normal slittasje
- ◆ feilaktig bruk eller vedlikehold (mislighold)
- ◆ at produktet har blitt skadet av fremmede gjenstander, emner eller ved et uhell

Det gjøres oppmerksom på at produktet ikke er beregnet på industriell/profesjonell/yrkesmessig bruk, men til hus- og hjemmebruk.

Garantien gjelder ikke om reparasjoner har blitt utført av noen andre enn et autorisert Black & Decker serviceverksted.

For å ta garantien i bruk skal produktet og kjøpekvitteing leveres til forhandleren eller til et autorisert serviceverksted senest 2 måneder etter at feilen har blitt oppdaget. For informasjon om nærmeste autoriserte serviceverksted; kontakt det lokale Black & Decker kontoret på den adressen som er angitt i bruksanvisningen. En oversikt over alle autoriserte serviceverksteder samt servicevilkår finnes også tilgjengelig på Internet, adresse:

www.2helpU.com

Vennligst stikk innom våre nettsider på www.blackanddecker.no for å registrere ditt nye Black & Decker-produkt og for å holde deg oppdatert om nye produkter og spesialtilbud. Du finner mer informasjon om Black & Decker og produktutvalget vårt på www.blackanddecker.no

AKKU BOREMASKINE/SKRUETRÆKKER HP126FSC/HP126F2K/HP128F2K/ HP146F2K/HP148F2K/HP188F2K

Tak fordi du valgte Black & Decker. Vi håber at du får glæde af dette værktøj i mange år fremover.



Colin Wills

Director of Engineering
BDCI, 4/F, 2 Dai Wang Street
Tai Po Industrial Estate
Tai Po NT, Hong Kong

EU-OVERENSSTEMMELSESEKTLÆRING



HP126FSC/HP126F2K/HP128F2K/
HP146F2K/HP148F2K/HP188F2K

Black & Decker erklærer at disse værktøjer er konstrueret i henhold til:
98/37/EØF, 89/336/EØF, 73/23/EØF,
EN 50260, EN 55014, EN 60335, EN 61000

Lydniveauet målt i henhold til EN 50260:

		HP126FSC	HP126F2K	HP128F2K
L_{pA} (lydniveau)	dB(A)	70	70	81
L_{WA} (akustisk styrke)	dB(A)	83	83	94

		HP146F2K	HP148F2K	HP188F2K
L_{pA} (lydniveau)	dB(A)	81	81	86,5
L_{WA} (akustisk styrke)	dB(A)	94	94	99,5



Anvend høreværn, hvis lydniveauet overstiger 85 dB(A).

Den vægtede geometriske middelværdi af accelerationsfrekvensen i henhold til EN 50260:

HP126FSC	HP126F2K	HP128F2K
< 2,5 m/s ²	< 2,5 m/s ²	5,6 m/s ²

HP146F2K	HP148F2K	HP188F2K
< 2,5 m/s ²	5,6 m/s ²	7,3 m/s ²

ANVENDELSESOMRÅDE

Din Black & Decker boremaskine/skruetrækker HP126F2/HP146F2 er designet til bore- og skrueopgaver i træ, metal og plastik.

Din Black & Decker boremaskine/skruetrækker HP148F2/HP188F2 er designet til bore- og skrueopgaver i træ, metal, plastik og blødt murværk.

Værktøjet er kun beregnet til privat brug.

Black & Decker laderen er designet til opladning af samme Black & Decker batterier, som leveres med dette værktøj.

SIKKERHEDSINSTRUKTIONER

Piktogrammer

Følgende piktogrammer anvendes i denne brugsanvisning:



Angiver risiko for personskade, livsfare eller ødelæggelse af værktøjet, hvis brugsanvisningens instruktioner ikke følges.



Angiver risiko for elektrisk stød.



Læs brugsanvisningen igennem, inden værktøjet tages i brug.



Brandfare.

Lær værktøjet at kende



- ◆ **Advarsel!** Ved brug af genopladeligt værktøj skal de grundlæggende sikkerhedsforanstaltninger, herunder de følgende, altid følges, således at risikoen for brand, lækkende batterier og person- og materialeskader begrænses.
- ◆ Læs denne brugsanvisning igennem, inden værktøjet tages i brug.
- ◆ Du skal sikre dig, at du ved, hvordan værktøjet slukkes, inden det tages i brug.
- ◆ Opbevar brugsanvisningen let tilgængeligt.

Generelt

1. **Hold arbejdsområdet i orden**
Uordentlige arbejdsområder og arbejdsbænke indbyder til skader.
2. **Tænk på arbejdsmiljøets indflydelse**
Udsæt ikke værktøjet for regn. Anvend ikke værktøjet på fugtige eller våde pladser. Sørg for en god belysning over arbejdsområdet. Anvend ikke værktøjet hvor der eksisterer risiko for at brand kan opstå eller eksplosioner forekomme, som følge af brug af værktøjet. F. eks. aldrig i nærheden af let antændelige væsker eller gasser.
3. **Hold børnene på afstand**
Børn, besøgende eller dyr må ikke nærme sig arbejdsområdet eller røre ved værktøjet.
4. **Klæd dig rigtigt på**
Bær ikke løst hængende tøj eller smykker. De kan sidde fast i bevægelige dele.
Gummihandsker og skridsikre sko anbefales ved udendørs arbejde. Brug hånet, hvis du har langt hår.
5. **Personlig beskyttelse**
Brug beskyttelsesbriller. Brug ansigts- eller støvmaske, når brug af værktøjet kan medføre støv eller flyvende partikler. Brug høreværn, når lydniveauet virker generende.
6. **Stræk dig ikke for meget**
Sørg for, at du altid har sikkert fodfæste og balance.

7. Vær opmærksom

Se på det, du gør. Brug din sunde fornuft. Brug ikke værktøjet, når du er trætt.

8. Sæt arbejdssemnet fast

Brug skruevinger eller skruestik for at spænde arbejdssemnet fast. Det er sikrere end at bruge hånden, og du får begge hænder fri til arbejdet.

9. Tilslut støvudsugningsudstyret

Hvis der findes enheder til tilslutningsfunktionerne støvudsugning og støvopsamling, skal man sørge for, at disse tilsluttes og bruges korrekt.

10. Fjern nøglerne

Kontroller at nøgler og justerværktøj er fjernet fra værktøjet, inden det startes.

11. Brug det rigtige værktøj

Brugen af værktøjet er beskrevet i denne brugsanvisning. Tving ikke elværktøj til at udføre arbejde, som er beregnet til kraftigere værktøj. Brug kun tilbehør og dele, der er anbefalet i brugsanvisningen og katalogerne. Værktøjet må ikke forceres.

Advarsel! Anvendelsen af andet tilbehør eller udførelse af opgaver med andet værktøj end det her anbefalede kan medføre risiko for personskader.

12. Kontrollér værktøjet for skader

Kontrollér omhyggeligt værktøjet for beskadigelser, før du bruger det. Check de bevægelige dele for skæv indstilling og sammenbrændinger, kontrollér for brud på dele, skader på skærme og kontakter samt alt andet, der kan påvirke værktøjets funktion. Kontrollér, at værktøjet fungerer rigtigt og kan udføre det arbejde, det er beregnet til. Værktøjet må ikke benyttes, hvis en af delene er beskadiget eller defekt. Brug ikke værktøjet, hvis det ikke kan tændes og slukkes ved afbryderen. Skadede eller defekte dele skal repareres eller udskiftes af en autoriseret tekniker. Man må aldrig forsøge selv at reparere værktøjet.

13. Fjern batteriet

Fjern batteriet når værktøjet er ude af brug og før udskiftning af enhver værktøjsdel, tilbehør eller andet udstyr.

14. Undgå utilsigtet start af værktøjet

Man må ikke bære værktøjet med en finger på tænd/sluk knappen. Kontrollér at værktøjet er slukket, når du sætter et batteri i værktøjet.

15. Vær forsigtig med ledningen

Laderen må aldrig bæres i ledningen eller tages ud af stikkontakten ved at rive i ledningen. Ledningen skal holdes på afstand fra varme, olie og skarpe kanter.

16. Opbevar værktøjet sikkert, når det ikke bruges

Når værktøj, batterier og oplader ikke er i brug, skal de opbevares indelåst eller højt placeret et tørt sted uden for børns rækkevidde.

17. Vedligehold værktøjet omhyggeligt

Skærende værktøj skal holdes skarpe og rene, for på denne måde at opnå et bedre og mere sikkert brug. Følg vedligeholdelsesvejledningen samt vejledningen til udskiftning af tilbehør. Hold håndtagene og knapperne tørre, rene og fri for olie og fedt.

18. Reparationer

Dette værktøj opfylder de relevante sikkerhedskrav. Reparationer må kun foretages af dertil kvalificerede personer, som bruger originale reservedele. I modsat fald kan der opstå betydelig fare for brugeren.

- I tilfælde af at væsken kommer i kontakt med huden, skal man følge nedenstående vejledning.



Batterivæsken, en 25-30% opløsning af kaliumhydroxid, kan være skadelig. Ved hudkontakt skal der omgående skylles med vand. Neutraliser med en mild syre såsom citronsaft eller eddike. Ved øjenkontakt skylles med rigeligt vand i mindst 10 minutter. Opsøg læge.



Brandfare. Undgå at kortslutte kontakterne på et frakoblet batteri med metalgenstande (ved f.eks. at have nøgler i samme lomme som batteriet).



Brænd ikke batteriet.



Oplad ikke et beskadiget batteri.

Yderligere sikkerhedsanvisninger til batterier og ladere

Batterier

- ◆ Man må aldrig åbne et batteri.
- ◆ Det må ikke udsættes for vand.
- ◆ Det må ikke opbevares i lokaler, hvor temperaturen overstiger 40 °C.
- ◆ Det må kun oplades ved omgivelsestemperaturer mellem 4 °C og 40 °C.
- ◆ Oplad kun med den vedlagte lader (se tekniske data).
- ◆ Før opladning skal man sikre sig, at batteriet er tørt og rent.
- ◆ Benyt kun de til værktøjet beregnede batterier (se tekniske data).
- ◆ Ved kassering af batterier, skal man følge vejledningen givet i afsnittet "Miljø".
- ◆ Under ekstreme forhold kan der forekomme batteriutætheder. Hvis man opdager væske på batteriet, skal man gå frem på følgende måde:
 - Tør forsigtigt væsken af med en klud.
 - Undgå kontakt med huden.

Ladere

- ◆ Din Black & Decker lader må kun benyttes til Black & Decker batterier af samme slags, som de med værktøjet leverede batterier. Andre batterier kan eksplodere og medføre personskader.
- ◆ Man må aldrig forsøge at oplade ikke opladelige batterier.
- ◆ Defekte ledninger skal straks udskiftes.
- ◆ Må ikke udsættes for vand.
- ◆ Laderen må ikke åbnes.
- ◆ Laderen må ikke manipuleres.



Kun beregnet til indendørs brug.

Yderligere sikkerhedsvejledninger til kombineret boremaskine/skruestrækker

- ◆ Før man borer i vægge, gulve eller lofte, skal man checke ledningers samt rørs placering.
- ◆ Man skal undgå at røre borespidsen lige efter, at man har boret, idet den kan være varm.

ELEKTRISK SIKKERHED

Kontroller, om laderens spænding svarer til lysnettets spænding.



Laderen er dobbelt isoleret i henhold til EN 60335; jordledning er derfor ikke påkrævet.

Anvendelse med forlængerledning

Hvis der skal bruges forlængerkabel, skal der anvendes et kabel svarende til laderens strømforbrug (se typeskiltet). Den mindste lederstørrelse er 1 mm². Ved anvendelse af en kabeltromle, skal kablet altid vindes helt ud.

OVERSIGT (fig. A)

1. Afbryder med variabel hastighedskontrol
2. Højre/venstre omskifter
3. Funktionsvælger / krave til justering af vridmoment
4. Borepatron
5. Gearskift
6. Batteriopladningsindikator (HP128F2/HP148F2/HP188F2)
7. Bitsholder
8. Sidehåndtag (HP188F2)
9. Batteri
10. Udløserknop til batteri
11. Lader
12. Opladningsindikator - "ladning i gang"
13. Opladningsindikator - "fuld ladning"

MONTERING

Af- og påmontering af batteriet (fig. B)

- ◆ Ved montering af batteriet (9) holdes det på linje med værktøjets batteriholder. Dernæst placeres batteriet i holderen og skubbes på plads.
- ◆ For at tage batteriet af trykkes på udløserknappen (10) samtidig med, at batteriet tages ud af batteriholderen.

Montering og demontering af bor eller skruetrækkerbits (fig. A & C)

Værktøjet er udstyret med en selvspændende patron for at lette udskiftning af bor og bits.

- ◆ Fastlås værktøjet ved at sætte højre/venstre-omskifteren (2) i midterposition (fig. A).

- ◆ Åbn patronen ved at dreje frontdelen (15) med den ene hånd, mens bagenden (16) holdes med den anden (fig. C).
- ◆ Sæt tilbehøret (17) ind i patronen.
- ◆ Skru patronen fast ved at dreje frontdelen (15) med den ene hånd, mens bagenden (16) holdes med den anden.

Værktøjet er udstyret med en dobbelt skruetrækkerbits i bitsholderen (7) (fig. A).

- ◆ For at fjerne skruetrækkerbitsen fra bitsholderen skal den løftes ud af holderen.
- ◆ For at opbevare skruetrækkerbitsen skubbes den ind i holderen.

HP126F2/HP146F2 -

Af- og påmontering af patronen (fig. D)

Patronen på disse modeller kan let tages af og sættes på. Hvis dit projekt indebærer både boring og skruetrækning, kan du fastgøre en skruetrækkerbits i spindelen og en borebits i patronen: Du skal derefter kun tage patronen af til skruetrækning og tilpasse den til boring. Skruetrækkerbitsen kan blive i spindelen, mens du borer. Du kan også isætte en borebits med sekskantet skaft på denne måde.

- ◆ Tag patronen (4) af ved at holde udløsningsknapperne (18) inde og trække patronen af spindelen (19).
- ◆ Sæt bitsen i (20) ved at skubbe den ind i spindelen (19) som vist på billede. Tag skruetrækkerbitsen ud ved at trække ringen (21) tilbage og trække den ud af spindelen.
- ◆ Tilpas patronen ved at skubbe den på spindelen, indtil den låser sig på plads.



Sørg altid for, at patronen er ordentligt fastgjort.

HP188F2 - Montering af sidehåndtaget (fig. A)

- ◆ Løsn sidehåndtaget (8) ved at dreje det mod uret.
- ◆ Skyd sidehåndtaget over patronen og på motorhuset.
- ◆ Stram sidehåndtaget ved at dreje det med uret.

ANVENDELSE



Lad maskinen arbejde i eget tempo.
Det forhindrer den i at blive overbelastet.

Opladning af batteriet (fig. E)

Batteriet skal oplades, før det tages i brug for første gang, samt når det ikke er i stand til at fremskaffe tilstrækkelig kraft til opgaver, som normalt udføres uden besvær. Et nyt batteri eller et batteri, der ikke har været anvendt i længere tid, opnår først sin fulde ydeevne efter ca. 5 afladnings- og opladningsomgange. Batteriet kan blive opvarmet under opladning; dette er normalt og er ikke ensbetydende med, at der er problemer.



Batteriet må ikke oplades i omgivelsestemperaturer på under 4 °C eller over 40 °C.
Anbefalet opladningstemperatur: ca. 24 °C.

Efter normal anvendelse vil en opladning på 60 minutter give tilstrækkelig kraft til de fleste formål. Men yderligere opladning i op til 90 minutter kan øge anvendelsestiden betydeligt, afhængigt af batteriets tilstand og opladningsforholdene.

- ◆ For at oplade batteriet (9) fjernes det fra værktøjet og sættes ind i laderen (11). Batteriet kan kun sættes ind på én måde. Man må ikke tvinge det. Man skal sikre sig, at batteriet er fuldstændigt indsat i laderen.
- ◆ Sæt laderen i stikkontakten.
- ◆ Check, om den røde opladningsindikator (12) lyser. Hvis den grønne ende af opladningsindikatoren (13) lyser, betyder det, at batteriet er for varmt og derfor ikke kan oplades. Hvis dette sker, fjernes batteriet fra opladeren og køles ned i ca. 1 time, hvorefter det kan sættes i laderen igen.

Efter ca. 1 times opladning holder den røde opladningsindikator (12) op med at lyse, og den grønne ende af opladningsindikatoren (13) lyser. Batteriet er nu fuldt opladet.

- ◆ Fjern batteriet fra laderen.

HP128F2/HP148F2/HP188F2 -

Kontrol af batteriets tilstand (fig. F)

Denne maskine er udstyret med en opladningsindikator til batteriet, hvorpå du kan kontrollere hvornår batteriet trænger til ny opladning.

- ◆ Tryk på knappen (22), og hold den nede.
- ◆ Kontrollér, hvor mange af lampene (23) der lyser:

Batteriopladning	
1 lampe	lav
2 lamper	medium
3 lamper	høj

Valg af rotationsretning (fig. G)

Til boring og stramning af skruer benyttes højrotation (med uret). Til løsning af skruer eller fjernelse af blokerede borebits drejes i den modsatte retning (mod uret).

- ◆ For at vælge højrotation skubbes højre/venstre omskifteren (2) til venstre.
- ◆ For at vælge venstrotation skubbes højre/venstre omskifteren til højre.
- ◆ For at låse værktøjet sættes højre/venstre omskifteren i midten.

Valg af funktionstilstand eller vridmoment (fig. H)

Værktøjet er udstyret med en krave til valg af vridmomentet ved stramning af skruer. Store skruer og hårde arbejdsemner kræver en højere vridmomentindstilling end små skruer og bløde arbejdsemner. Kraven har mange indstillinger til ethvert behov.

- ◆ Hvis man vil bore i træ, metal og plastik, indstilles kraven (3) på borepositionen ved at sætte **A** ud for markeringen (24).
- ◆ HP148F2/HP188F2:

Hvis man vil bore i murværk, indstilles kraven (3) på slagborepositionen ved at sætte **T** ud for markeringen (24).

- ◆ Hvis man ønsker at skrue skruer, indstilles kraven på den ønskede position. Hvis ikke man kender den korrekte indstilling, skal man gå frem som beskrevet nedenfor:
 - ◆ Indstil kraven (3) på det laveste vridmoment.
 - ◆ Stram den første skrue.
 - ◆ Hvis ikke man opnår det ønskede resultat, øges kravens indstilling, og man fortsætter med at stramme skruen.

Proceduren gentages, indtil man opnår det ønskede resultat. Denne indstilling benyttes til resten af skrueerne.

Gearskift (fig. I)

- ◆ Skyd to-gearsvælgeren (5) hen mod forenden af værktøjet (1. gear) for at bore i stål og for at skrue skrue i.
- ◆ Skyd to-gearsvælgeren (5) hen mod bagenden af værktøjet (2. gear) for at bore i alle andre materialer end stål.

Boring/skruetrækning (fig. A)

- ◆ Man vælger højre- eller venstrerotation ved hjælp af højre/venstre omskifteren (2).
- ◆ For at tænde værktøjet trykkes på afbryderen (1). Værktøjets hastighed afhænger af, hvor langt ned man trykker afbryderen.
- ◆ Sluk for værktøjet ved at slippe afbryderkontakten.

Gode råd til optimalt brug

Boring

- ◆ Boret skal trykkes let nedad i lige linie mod arbejdsemnet.
- ◆ Lige før borespidsen går igennem arbejdsemnets bagside, lettes trykket på værktøjet.
- ◆ Benyt en træklods til at støtte bagsiden af arbejdsemner, som kan splintre.
- ◆ Benyt spadebor, når der bores huller med stor diameter i træ.
- ◆ Benyt HSS bor, når der bores i metal.
- ◆ Benyt murbor til boring i blødt murværk.
- ◆ Benyt boreolie, når der bores i metal, som ikke er støbejern eller messing.
- ◆ Benyt en kørner til at finde centrum af det hul, som skal bores.

Benyttelse som skruetrækker

- ◆ Man skal altid benytte skruetrækkerbits af korrekt type og størrelse.
- ◆ Hvis skrueerne er svære at stramme, kan man påsmøre en smule sæbe som smøremiddel.
- ◆ Maskinen og skruetrækkerbitsen skal altid holdes lige på skruen.

VEDLIGEHOLDELSE

Deres Black & Decker værktøj er designet til at være i drift gennem en længere periode med en minimal vedligeholdelse. Forsat tilfredsstillende drift afhænger af en korrekt behandling af værktøjet samt regelmæssig rengøring. Laderen kræver ingen anden vedligeholdelse end regelmæssig rengøring.



Før udførelse af vedligeholdelsesopgaver på værktøjet, skal batteriet fjernes.

- ◆ Tag laderen ud af stikkontakten før den rengøres.
- ◆ Man skal regelmæssigt rengøre værktøjets ventilationshuller og oplader med en blød børste eller en tør klud.
- ◆ Man skal regelmæssigt rengøre motorhuset med en fugtig klud. Man må ikke benytte slibemidler eller opløsningsmidler.
- ◆ Man skal regelmæssigt åbne patronen og banke den let for på denne måde at fjerne støv fra dens indre.

MILJØ

Værktøj



Når dit værktøj er udtjent, beskyt da naturen ved ikke at smide det ud sammen med det almindelige affald. Afløber det til de opsamlingssteder, der findes i din kommune eller der hvor du købte værktøjet.

Batterier



Cd

Black & Decker batterierne kan genoplades mange gange. Beskyt miljøet ved at aflevere de kasserede batterier på dertil beregnede opsamlingssteder.

- ◆ Aflad batteriet fuldstændigt og fjern det fra værktøjet.
- ◆ NiCd og NiMH batterier kan genbruges. Aflever dem til købsstedet eller til den lokale genbrugsstation. Genanvendelige batterier genbruges eller sendes til specielle behandlingsanlæg.

Reserve dele / reparationer

Reserve dele kan købes hos autoriserede Black & Decker serviceværksteder, som giver forslag til omkostninger og reparerer vore produkter. Oversigt over vore autoriserede værksteder findes på internettet på vor hjemmeside www.blackanddecker.dk samt www.2helpU.com

Garanti

Black & Decker garanterer, at produktet er fri for materielle skader og/eller fabrikationsfejl ved levering til kunden. Garantien er et tillæg til konsumentens lovlige rettigheder og påvirker ikke disse. Garantien gælder indenfor medlemsstaterne af den Europæiske Union og i det Europæiske Frihandelsområde.

Hvis et Black & Decker produkt går i stykker på grund af materiel skade og/eller fabrikationsfejl eller på anden måde ikke fungerer i overensstemmelse med specifikationen, inden for 24 måneder fra købsdatoen, påtager Black & Decker sig at reparere eller ombytte produktet med mindst muligt besvær for kunden.

Garantien gælder ikke for fejl og mangler, der er sket i forbindelse med:

- ◆ normal slitage
- ◆ uheldige følger efter unormal anvendelse af værktøjet
- ◆ overbelastning, hævværk eller overdrevent intensivt brug af værktøjet
- ◆ ulykkehændelse

Garantien gælder ikke hvis reparationer er udført af nogen anden end et autoriseret Black & Decker værksted.

Tekniske data

		HP126F5C	HP126F2K	HP128F2K
Spænding	V_{DC}	12	12	12
Ubelastet hastighed	min^{-1}	0-400/0-1.200	0-400/0-1.200	0-400/0-1.200
Maks. vridmoment	Nm	20,2	20,2	20,2
Patronkapacitet	mm	10	10	10
Max. borekapacitet i stål/træ/murværk	mm	10/25/-	10/25/-	10/25/12
Service nr. batteri		A12F	A1712	A1712
Kapacitet	Ah	1,5	1,7	1,7
Vægt (uden batteri)	kg	1,3	1,3	1,2

		HP146F2K	HP148F2K	HP188F2K
Spænding	V_{DC}	14,4	14,4	18
Ubelastet hastighed	min^{-1}	0-300/0-1.100	0-300/0-1.100	0-500/0-1.600
Maks. vridmoment	Nm	22,1	22,1	29,4
Patronkapacitet	mm	10	13	13
Max. borekapacitet i stål/træ/murværk	mm	10/30/-	13/30/12	13/35/15
Service nr. batteri		A1714	A1714	A1718
Kapacitet	Ah	1,7	1,7	1,7
Vægt (uden batteri)	kg	1,3	1,4	1,4

Lader

Spænding	V_{AC}	230
Opladningstid (ca.)	t	1

For at udnytte garantien skal produktet og købskvitteringen indleveres til forhandleren eller til et autoriseret værksted, senest 2 måneder efter at fejlen opdages. For information om nærmeste autoriserede værksted: kontakt det lokale Black & Decker kontor på den adresse som er opgivet i brugsanvisningen. Liste over alle autoriserede Black & Decker serviceværksteder samt servicevilkår er tilgængelig på internettet, på adressen **www.2helpU.com**

Gå venligst ind på vores website **www.blackanddecker.dk** for at registrere dit nye produkt og for at blive holdt ajour om nye produkter og specialtilbud. Der findes yderligere oplysninger om mærket Black & Decker og vores produktsortiment på adressen **www.blackanddecker.dk**

AKKUPORAKONE/RUUVINVÄÄNNIN HP126FSC/HP126F2K/HP128F2K/ HP146F2K/HP148F2K/HP188F2K

Kiitos, että olet valinnut Black & Decker -koneen.
Toivomme, että nautit koneen käytöstä monen
vuoden ajan.



Colin Wills

Director of Engineering
BDCI, 4/F, 2 Dai Wang Street
Tai Po Industrial Estate
Tai Po NT, Hong Kong

CE- VAATIMUSTENMUKAISUUSVAKUUTUS



HP126FSC/HP126F2K/HP128F2K/
HP146F2K/HP148F2K/HP188F2K
Black & Decker vakuuttaa, että nämä
työkalut ovat
98/37/EC, 89/336/EEC, 73/23/EEC,
EN 50260, EN 55014, EN 60335, EN 61000
mukaiset.

Melutaso, mitattu EN 50260:n mukaisesti:

		HP126FSC	HP126F2K	HP128F2K
L_{pA} (äänenpaine)	dB(A)	70	70	81
L_{WA} (ääniteho)	dB(A)	83	83	94

		HP146F2K	HP148F2K	HP188F2K
L_{pA} (äänenpaine)	dB(A)	81	81	86,5
L_{WA} (ääniteho)	dB(A)	94	94	99,5



Käytä kuulosuojaimia, jos melutaso ylittää
85 dB(A).

Tärinätaajuuden painotettu geometrinen keskiarvo
EN 50260 mukaisesti:

HP126FSC	HP126F2K	HP128F2K
< 2,5 m/s ²	< 2,5 m/s ²	5,6 m/s ²

HP146F2K	HP148F2K	HP188F2K
< 2,5 m/s ²	5,6 m/s ²	7,3 m/s ²

KÄYTTÖTARKOITUS

Black & Deckerin akkuporakone/ruuvinväännin
HP126F2/HP146F2 on tarkoitettu ruuvaamiseen
sekä puun, metallin ja muovin poraamiseen.
Black & Deckerin akkuiskuporakone/ruuvinväännin
HP148F2/HP188F2 on tarkoitettu ruuvaamiseen
sekä puun, metallin, muovin ja betonin poraamiseen.

Kone on tarkoitettu kotikäyttöön.

Black & Deckerin laturi on suunniteltu tämän
työkalun mukana toimitetun Black & Decker -akun
lataamiseen.

TURVALLISUUSOHJEET

Merkit

Tässä käyttöohjeessa käytetään seuraavia
merkkejä:



Osoittaa henkilövahingon,
hengenmenetyksen tai konevaurion
vaaraa, mikäli käyttöohjeen neuvoja ei
noudateta.



Osoittaa sähköiskun vaaraa.



Lue käyttöohje huolellisesti ennen koneen
käyttöönottoa.



Tulenvaara.

Tutustu koneeseen



- ◆ **Varoitus!** Akkukäyttöisiä koneita käytettäessä on aina noudatettava mm. seuraavia turvallisuusohjeita, jotta tulipalojen, akkuvuotojen, henkilövahinkojen ja materiaaliavurioiden riski olisi mahdollisimman pieni.
- ◆ Lue käyttöohje huolellisesti ennen koneen käyttöönottoa.
- ◆ Varmista, että osaat sammuttaa koneen, ennen kuin käynnistät sen.
- ◆ Säilytä käyttöohje kaikkien koneen käyttäjien ulottuvilla.

Yleistä

1. **Pidä työskentelyalue siistinä**
Poista roskat ja mahdolliset esteet työskentelyalueelta välttyäksesi vaurioilta.
2. **Ajattele työskentelyalueen vaikutusta työhösi**
Älä altista konetta sateelle äläkä käytä sitä kosteissa tai märissä paikoissa. Järjestä työskentelyalueelle hyvä valaistus. Älä käytä konetta paikassa, jossa on tulipalo- tai räjähdysvaara, esim. palavien nesteiden tai kaasujen läheisyydessä.
3. **Työskentele lasten ulottumattomissa**
Älä anna lasten, vieraiden tai eläinten tulla lähelle työskentelyaluetta tai koskea koneeseen.
4. **Pukeudu asianmukaisesti**
Älä käytä liian väljiä vaatteita tai koruja. Ne voivat tarttua liikkuviin osiin. Käytä ulkona työskennellessäsi kumihansikkaita ja liukumattomia kenkiä. Jos sinulla on pitkät hiukset, käytä hiusverkkoa.
5. **Suojavaatetus**
Käytä aina suojalaseja. Käytä kasvosuojajaa, jos työskennellessä syntyy pölyä tai hiukkasia. Käytä kuulosuojaimia, jos melutaso tuntuu epämukavalta.
6. **Älä kurottele**
Seiso aina tukevasti ja tasapainossa.

7. Ole tarkkaavainen

Keskity työhösi. Käytä tervettä järkeä. Älä käytä sähkötyökalua, kun olet väsynyt.

8. Kiinnitä työstökappale kunnolla

Käytä ruuvipuristinta tai -kappaletta, jotta työstökappale pysyy kunnolla kiinni. Näin saat molemmat kädet vapaaksi työhön.

9. Liitä pölynpoistolaite

Jos laitteissa on liitäntä pölynpoisto- ja pölynkeräyslaitteistolle, varmista, että ne on kiinnitetty ja niitä käytetään oikein. HUOM! Käytä ainoastaan teollisuuspölynimuria.

10. Poista avaimet

Poista säätöavaimet ja asennustyökalut koneesta ennen kuin käynnistät sen.

11. Käytä oikeaa konetta

Käytä konetta ainoastaan sellaiseen työhön, johon se on tarkoitettu. Käytä vain käyttöohjeessa ja tuotekuvastossa suositeltuja tarvikkeita ja lisälaitteita. Jonkin muun laitteen käyttö voi aiheuttaa onnettomuuden. Älä ylikuormita konetta.

12. Tarkista, että kone on kunnossa

Tarkista ennen käyttöä, ettei kone ole vaurioitunut. Tarkista, etteivät liikkuvat ja muut osat sekä suoja ole viallisia, ja että kaikki muut käyttöön mahdollisesti vaikuttavat tekijät ovat kunnossa. Varmista, että kone toimii oikein ja täyttää tehtävänsä. Älä käytä konetta, jos jokin sen osista on viallinen. Älä käytä konetta, jos se ei käynnisty ja pysähdy virrankatkaisijasta. Viallinen osa tulee korjata tai vaihtaa valtuutetussa Black & Deckerin huoltoliikkeessä. Älä koskaan yritä korjata konetta itse.

13. Poista akku

Poista akku, kun konetta ei käytetä, ennen minkään koneen osan, tarvikkeen tai lisälaitteen vaihtamista, sekä ennen huoltoa.

14. Vältä tahatonta käynnistämistä

Älä koskaan kanno konetta sormet kiinni virrankatkaisijassa. Varmista, että työkalu on kytketty pois päältä, kun laitat akun työkaluun.

15. Huolehdi johdon kunnosta

Älä koskaan kanno laturia johdosta äläkä irrota pistoketta virtalähteestä vetämällä johdosta. Suojaa johto kuumuudelta, öljyltä ja teräviltä reunoilta.

16. Säilytä konetta oikein

Kun kone ei ole käytössä, sen ja akun tulee olla varastoituna kuivaan paikkaan lasten ulottumattomissa.

17. Hoida työkalua huolellisesti

Pidä työkalu puhtaana ja käytä teräviä teriä tehokasta ja turvallista työskentelyä varten. Noudata huollosta ja tarvikkeiden vaihdosta annettuja ohjeita. Pidä virrankatkaisija ja kädensijat kuivina ja puhtaina öljystä ja rasvasta.

18. Korjaukset

Tämä kone täyttää voimassa olevat turvallisuusvaatimukset. Korjauksia saa tehdä vain Black & Deckerin valtuuttama huoltoliike, joka käyttää alkuperäisosa. Muussa tapauksessa käyttäjä saattaa joutua vaaratilanteisiin.

Lisäturvaohjeet akuille ja laturille

Akut

- ◆ Älä koskaan yritä avata akkua.
- ◆ Älä altista akkua vedelle.
- ◆ Älä säilytä akkua paikassa, jonka lämpötila ylittää +40 °C.
- ◆ Lataa akku ainoastaan lämpötilan ollessa +4 °C - +40 °C.
- ◆ Lataa akku käyttäen ainoastaan koneen mukana toimitettua laturia (ks. tekniset tiedot)
- ◆ Ennen lataamista varmista, että akku on kuiva ja puhdas.
- ◆ Käytä koneessa ainoastaan siihen tarkoitettua akkua (ks. tekniset tiedot).
- ◆ Kun poistat akun käytöstä, noudata kappaleessa "Ympäristö" annettuja ohjeita.
- ◆ Äärimmäisissä olosuhteissa akku saattaa vuotaa. Jos havaitset akusta tulevan nestettä, toimi seuraavasti:
 - Kuivaa neste varovasti pois rievulla. Vältä nesteen joutumista iholle.
 - Mikäli nestettä joutuu iholle tai silmiin, noudata alla olevia ohjeita:



Akkuneste (25-30 % kaliumhydroksidiliuosta) saattaa olla haitallista. Jos akkunestettä pääsee iholle, huuhto se välittömästi vedellä.

Neutralisoi akkuneste esim. etikalla tai sitruunamehulla. Jos akkunestettä joutuu silmiin, huuhto silmiä runsaalla vedellä vähintään 10 minuuttia, ja ota heti yhteys lääkäriin.



Palovaara! Vältä, ettei irrotetun akun kontaktit mene oikosulkuun metallin kanssa (esim. säilytettäessä akkua työkalupakissa).



Älä polta akkuja.



Älä koskaan käytä viallisia akkuja.

Laturi

- ◆ Käytä Black & Decker-laturia ainoastaan koneen mukana toimitetun akun lataamiseen. Muunlaiset akut saattavat räjähtää aiheuttaen henkilö- ja esinevahinkoja.
- ◆ Älä koskaan yritä ladata ei-ladattavia akkuja.
- ◆ Vaihda vialliset johdot välittömästi.
- ◆ Älä altista laturia vedelle.
- ◆ Älä avaa laturia.
- ◆ Älä vahingoita laturia.



Tarkoitettu vain sisäkäyttöön.

Lisäturvaohjeet porakoneelle/ruuvinvääntimelle

- ◆ Ennen seinien, lattioiden tai kattojen poraamista tarkista sähköjohtojen ja putkistojen sijainnit.
- ◆ Vältä poranterän kärjen koskettamista heti poraamisen jälkeen, se saattaa olla kuuma.

SÄHKÖINEN TURVALLISUUS

Tarkista, että laturin jännite vastaa verkon jännitettä.



Laturi on kaksoiseristetty EN 60335:n mukaisesti; siksi ei tarvita erillistä maadoitusta.

Jatkojohdon käyttö

Jos tarvitset jatkojohtoa, käytä hyväksyttyä, maadoitettua jatkojohtoa, joka sopii laturin virran käyttöön (katso arvokilpi). Jos käytät jatkojohtokelaa, kelaa johto aina täysin auki.

YLEISKUVAUS (kuva A)

1. Virrankatkaisija portaattomalla nopeudensäädöllä
2. Suunnanvaihtokytkin
3. Porausasennon valitsin / vääntömomentin säädin
4. Istukka
5. Vaihteen säädin
6. Akun latauksen tunnistin (HP128F2/HP148F2/HP188F2)
7. Ruuvitaltan pidike
8. Sivukahva (HP188F2)
9. Akku
10. Akun vapautusnappi
11. Laturi
12. Latausvalo - lataus käynnissä
13. Latausvalo - akku täynnä

KOKOAMINEN

Akun kiinnittäminen ja poistaminen (kuva B)

- ◆ Kiinnitä akku (9) asettamalla se koneen liitäntän kanssa samaan linjaan. Liu'uta akkua liitäntään, kunnes se lukittuu paikalleen.
- ◆ Poista akku painamalla vapautusnappia (10) samanaikaisesti, kun vedät akkua irti.

Poranterien ja ruuvitaltojen kiinnittäminen ja poistaminen (kuvat A & C)

Koneessa on pikaistukka, jonka avulla terien ja talttojen vaihtaminen on helppoa.

- ◆ Lukitse kone laittamalla suunnanvaihtokytkin (2) keskiasentoon (kuva A).
- ◆ Avaa istukka kiertämällä etuosaa (15) toisella kädellä samalla, kun pidät takaosasta (16) kiinni toisella kädellä (kuva C).
- ◆ Laita tarvike (17) istukkaan.
- ◆ Kiristä istukka tiukalle kiertämällä etuosaa (15) toisella kädellä samalla kun pidät takaosasta (16) kiinni toisella kädellä.

Koneen ruuvitaltan pidikkeessä (7) on kaksipäinen ruuvitaltta (kuva A).

- ◆ Irrota ruuvitaltta poistamalla se pidikkeestä.

- ◆ Laita ruuvitaltta takaisin painamalla se kunnolla pidikkeeseen.

HP126F2/HP146F2 -

Istukan poisto ja kiinnittäminen (kuva D)

Näiden porakonemallien istukka on helppo poistaa ja kiinnittää takaisin. Kun tarvitset työskentelyysi sekä poraa että ruuvinväännintä, kiinnitä ruuvitaltta karaan ja poranterä istukkaan: tällöin sinun tarvitsee vain poistaa istukka ruuvausta varten ja kiinnittää se takaisin poraamista varten. Voit jättää ruuvitaltan kiinni karaan poraamisen ajaksi. Voit myös käyttää tällä tavoin poranteriä, joissa on kuusikulmainen varsi.

- ◆ Poista istukka (4) pitämällä lukitusnappeja (18) painettuina ja vedä istukka irti karasta (19).
- ◆ Kiinnitä ruuvitaltta (20) työntämällä se karaan (19) kuvan osoittamalla tavalla. Poista ruuvitaltta vetämällä rengasta (21) taaksepäin, ja vedä ruuvitaltta irti karasta.
- ◆ Kiinnitä istukka paikalleen työntämällä sitä karaan, kunnes se lukkiutuu tiukasti paikalleen.



Tarkista aina että istukka on tukevasti paikallaan.

HP188F2 - Sivukahvan kiinnittäminen (kuva A)

- ◆ Löysää sivukahvaa (8) kääntämällä sitä vastapäivään.
- ◆ Työnnä sivukahva istukan läpi kiinni kuoreen.
- ◆ Kiristä sivukahva kääntämällä sitä myötäpäivään.

KÄYTTÖ



Anna koneen käydä omaan tahtiinsa. Älä ylikuormita sitä.

Akun lataaminen (kuva E)

Akku tulee ladata ennen ensimmäistä käyttökertaa ja aina silloin, kun se ei enää tuota riittävästi virtaa toimintoihin, jotka aikaisemmin hoituivat helposti. Uusi akku tai akku, jota ei ole käytetty pitempään aikaan, saavuttaa täyden tehonsa vasta noin viiden latautumisen- ja purkautumiskerran jälkeen.

Akku voi lämmetä ladattaessa; tämä on normaalia eikä ole merkinä minkäänlaisesta ongelmasta.



Älä lataa akkua alle +4 °C tai yli +40 °C asteen lämpötiloissa. Suositeltu lämpötila lataamiseen on noin +24 °C.

Normaalin käytön jälkeen 60 minuutin latausaika antaa riittävän tehon useimpia käyttökohteita varten. Jos latausta jatketaan 90 minuuttiin asti, käyttöaika voi kasvaa huomattavasti akun ja latausolosuhteiden mukaan.

- ◆ Lataa akku (9) poistamalla se koneesta ja asettamalla se laturiin (11). Akku sopii laturiin vain yhdessä asennossa. Älä laita sitä laturiin väkisin. Varmista, että akku on kunnolla laturissa.
 - ◆ Liitä laturi virtalähteeseen.
 - ◆ Tarkista, että punainen latausvalo (12) palaa. Mikäli punaisen valon sijasta palaa vihreä latausvalo (13), on akku liian kuuma eikä sitä voi ladata.
- Jos näin tapahtuu, poista akku laturista ja anna sen jäähtyä noin 1 tunnin ajan ja aseta se sitten laturiin uudelleen.

Noin tunnin lataamisen jälkeen punainen latausvalo (12) sammuu ja vihreä latausvalo (13) syttyy. Akku on nyt latautunut täyteen.

- ◆ Poista akku laturista.

HP128F2/HP148F2/HP188F2 -

Akun latauksen tarkistaminen (kuva F)

Kone on varustettu akun latauksen tunnistimella, jonka avulla voidaan tarkistaa jäljellä oleva lataus.

- ◆ Paina nappia (22) ja pidä se alhaalla.
- ◆ Tarkista, montako valoa (23) palaa:

	Akun lataustila
1 valo	alhainen
2 valoa	keskivälissä
3 valoa	korkea

Pyörimissuunnan valitseminen (kuva G)


Käytä eteenpäin (myötäpäivään) suuntautuvaa pyörimisliikettä poraamiseen ja ruuvien kiristämiseen. Käytä taaksepäin (vastapäivään) suuntautuvaa pyörimisliikettä ruuvien tai jumiutuneen poranterän irrottamiseen.


- ◆ Valitse pyörimissuunnaksi eteenpäin siirtämällä suunnanvaihtokytkin (2) vasemmalle.
- ◆ Valitse pyörimissuunnaksi taaksepäin siirtämällä suunnanvaihtokytkin (2) oikealle.

- ◆ Lukitse kone asettamalla suunnanvaihtokytkin keskiasentoon.

Porausasennon tai vääntömomentin valitseminen (kuva H)

Koneessa on säädin, jolla valitaan porausasento tai vääntömomentti ruuvien kiristämistä varten. Isot ruuvit ja kovat materiaalit vaativat suuremman momentin kuin pienet ruuvit ja pehmeät materiaalit. Säätimessä on laajat valintamahdollisuudet eri käyttötarkoituksia varten.

- ◆ Jos aiot porata puuta, metallia tai muoveja, aseta säädin (3) porausasentoon siirtämällä merkki  kohdakkain nuolen (24) kanssa.
- ◆ HP148F2/HP188F2:

Jos aiot porata betonia, aseta säädin (3) iskuporausasentoon siirtämällä merkki  kohdakkain nuolen (24) kanssa.

- ◆ Ruuvaamista varten aseta säädin haluttuun momenttiin. Jos et tiedä oikeaa momenttia, toimi seuraavalla tavalla:
 - ◆ Aseta säädin (3) alhaisimmalle momentille.
 - ◆ Kiristä ensimmäinen ruuvi.
 - ◆ Jos momentti ei riitä ruuvien ruuvaukseen, lisää momenttia ja jatka ruuvien kiristämistä. Toista toimenpide, kunnes löydät oikean momentin. Käytä samaa momenttia jäljellä olevien ruuvien kiristämiseen.

Vaihteen säädin (kuva I)

- ◆ Jos aiot porata terästä tai ruuvata, siirrä säädintä (5) koneen etuosaa kohti (1. vaihde).
- ◆ Jos aiot porata muuta kuin terästä, siirrä säädintä (5) koneen takaosaa kohti (2. vaihde).

Poraaminen ja ruuvaaminen (kuva A)

- ◆ Valitse suunnanvaihtokytkimellä (2) pyörimissuunnaksi eteen- tai taaksepäin.
- ◆ Käynnistä kone painamalla virrankatkaisijaa (1). Koneen nopeus riippuu siitä, kuinka paljon virrankatkaisijaa painetaan.
- ◆ Sammuta kone päästämällä irti virrankatkaisijasta.

Vinkkejä parhaimman tuloksen saamiseksi

Poraaminen

- ◆ Paina terää kevyesti suoraan työstökappaletta kohti.

- ◆ Vähennä koneen painamista juuri ennen kuin terän kärki tulee ulos työstökappaleen toiselta puolelta.
- ◆ Käytä puunpalaa työstökappaleen alla halkeilun estämiseksi.
- ◆ Käytä litteää puuporanterää poratessasi suuria reikiä puuhun.
- ◆ Käytä HSS-teriä (pikaterästeriä) poratessasi metallia.
- ◆ Käytä betoniteriä poratessasi betonia.
- ◆ Käytä voiteluainetta poratessasi muita metalleja kuin valurautaa tai messinkiä.
- ◆ Tee pistepuikolla aloitusreikä porattavan reiän keskikohtaan, niin porauksen tarkkuus paranee.

Ruuvaaminen

- ◆ Käytä aina oikean mallista ja -kokoista ruuvitalttaa.
- ◆ Jos ruuvia on hankala kiristää, voidaan voiteluaineena käyttää hiukan nestemäistä pesuainetta tai saippuaa.
- ◆ Pidä konetta ja ruuvitalttaa aina kohtisuorassa ruuviin nähden.

KONEEN HOITO

Black & Deckerin kone on suunniteltu toimimaan mahdollisimman pitkän aikaa mahdollisimman vähällä huollolla. Oikealla huollolla ja säännöllisellä puhdistuksella kone säilyttää suorituskykynsä. Laturi ei tarvitse säännöllisen puhdistamisen lisäksi minkään muunlaista huoltoa.



Poista akku koneesta ennen työkalun huoltamista.

- ◆ Irrota laturi virtalähteestä ennen puhdistamista.
- ◆ Puhdista koneen ja laturin ilma-aukot säännöllisesti pehmeällä harjalla tai kuivalla rievulla.
- ◆ Puhdista koneen kuori säännöllisesti kostealla rievulla. Älä koskaan käytä puhdistamiseen liuotainaineita tai syövyttäviä puhdistusaineita.
- ◆ Avaa istukka säännöllisin väliajoin ja kopauta sitä pölyjen poistamiseksi sisältä.

YMPÄRISTÖ

Kone



Kun koneesi on käytetty loppuun, älä heitä sitä tavallisten roskien mukana pois, vaan vie se paikkakuntasi kierrätyskeskukseen tai jätä valtuutettuun Black & Deckerin huoltoliikkeeseen.

Akut



Black & Deckerin akut voidaan ladata useita kertoja. Suojele luontoa viemällä loppuunkäytetyt akut niille tarkoitettuun keräyspaikkaan tai -astiaan.

- ◆ Käytä akku täysin loppuun ja poista se sitten työkalusta.
- ◆ NiCD ja NiMH -akut ovat kierrätettäviä. Voit viedä ne niille tarkoitettuun keräysastiaan tai paikalliseen kierrätyskeskukseen. Kerätyt akut toimitetaan kierrätykseen ja käsitellään asianmukaisesti.

Korjaukset / varaosat

Mikäli koneeseen tulee vikaa, jätä se aina Black & Deckerin valtuuttamaan huoltoliikkeeseen korjattavaksi (tiedot löytyvät uusimmasta tuoteluettelostamme tai ottamalla yhteyttä Black & Decker Oy:hyn). Varaosia myyvät valtuutetut Black & Deckerin huoltoliikkeet, ja heiltä voi myös pyytää kustannusarvion koneen korjauksesta.

Tiedot valtuutetuista huoltoliikkeistä löytyvät myös internetistä osoitteesta www.2helpU.com sekä kotisivuiltamme www.blackanddecker.fi

Takuu

Black & Decker Oy takaa, ettei koneessa ollut materiaali- ja/tai valmistusvikaa silloin, kun se toimitettiin ostajalle. Takuu on lisäys kuluttajan laillisiin oikeuksiin eikä vaikuta niihin. Takuu on voimassa Euroopan Unionin jäsenmaissa ja Euroopan vapaakauppa-alueella (EFTA).

Mikäli Black & Decker -kone hajoaa materiaali- ja/ tai valmistusvirheen tai teknisten tietojen epätarkkuuden vuoksi 24 kk:n kuluessa ostopäivästä, Black & Decker korjaa koneen ilman kustannuksia ostajalle tai vaihtaa sen uuteen Black & Decker Oy:n valinnan mukaan.

Takuu ei kata vikoja, jotka johtuvat koneen

- ♦ normaalista kulumisesta
- ♦ ylikuormituksesta, virheellisestä käytöstä tai hoidosta
- ♦ vahingoittamisesta vieraalla esineellä tai aineella tai onnettomuustapauksessa.

Takuu ei ole voimassa, mikäli konetta on korjannut joku muu kuin Black & Deckerin valtuuttama huoltoliike.

Edellytyksenä takuun saamiselle on, että ostaja jättää koneen ja ostokuitin jälleenmyyjälle tai valtuutetulle huoltoliikkeelle viimeistään 2 kuukauden kuluessa vian ilmenemisestä. Tiedot valtuutetuista huoltoliikkeistä saa ottamalla yhteyttä Black & Decker Oy:hyn sekä internetistä osoitteesta www.2helpU.com, jossa on myös takuuehdot.

Voit vieraila verkkosivullamme

www.blackanddecker.fi rekisteröidäksesi uuden Black & Decker-tuotteesi ja saadaksesi tietoa uusista tuotteista ja erikoistarjouksista. Saat lisätietoja Black & Deckerin tavaramerkistä ja tuotevalikoimastamme osoitteesta www.blackanddecker.fi

Tekniset tiedot

		HP126FSC	HP126F2K	HP128F2K
Jännite	V_{DC}	12	12	12
Kuormittamaton nopeus	min^{-1}	0-400/0-1.200	0-400/0-1.200	0-400/0-1.200
Max. vääntömomentti	Nm	20,2	20,2	20,2
Istukka	mm	10	10	10
Max. porausteho teräs/puu/betoni	mm	10/25/-	10/25/-	10/25/12
Akun huoltonumero		A12F	A1712	A1712
Teho	Ah	1,5	1,7	1,7
Paino (ilman akkua)	kg	1,3	1,3	1,2

		HP146F2K	HP148F2K	HP188F2K
Jännite	V_{DC}	14,4	14,4	18
Kuormittamaton nopeus	min^{-1}	0-300/0-1.100	0-300/0-1.100	0-500/0-1.600
Max. vääntömomentti	Nm	22,1	22,1	29,4
Istukka	mm	10	13	13
Max. porausteho teräs/puu/betoni	mm	10/30/-	13/30/12	13/35/15
Akun huoltonumero		A1714	A1714	A1718
Teho	Ah	1,7	1,7	1,7
Paino (ilman akkua)	kg	1,3	1,4	1,4

Laturi

Jännite	V_{AC}	230
Latausaika (noin)	h	1

ΦΟΡΤΙΖΟΜΕΝΟ ΔΡΑΠΑΝΟΚΑΤΣΑΒΙΔΟ HP126FSC/HP126F2K/HP128F2K/ HP146F2K/HP148F2K/HP188F2K

ΣΥΓΧΑΡΗΤΗΡΙΑ!

Έχετε επιλέξει ένα εργαλείο της Black & Decker. Στόχος μας είναι να σας προσφέρουμε εργαλεία ποιότητας σε προσιτές τιμές. Ευελπιστούμε ότι θα απολαύσετε τη χρήση αυτού του εργαλείου για πολλά χρόνια.


ΔΗΛΩΣΗ ΣΥΜΜΟΡΦΩΣΗΣ EK

CE HP126FSC/HP126F2K/HP128F2K/
HP146F2K/HP148F2K/HP188F2K
Black & Decker δηλώνει ότι αυτά τα ηλεκτρικά εργαλεία σχεδιάστηκαν σύμφωνα με:
98/37/ΕΟΚ, 89/336/ΕΟΚ, 73/23/ΕΟΚ,
EN 50260, EN 55014, EN 60335, EN 61000

Ανώτατο όριο ηχητικής πίεσης, μέτρηση κατά EN 50260:

	HP126FSC	HP126F2K	HP128F2K
L_{pA} (ηχητική πίεση) dB(A)	70	70	81
L_{WA} (ακουστική δύναμη) dB(A)	83	83	94

	HP146F2K	HP148F2K	HP188F2K
L_{pA} (ηχητική πίεση) dB(A)	81	81	86,5
L_{WA} (ακουστική δύναμη) dB(A)	94	94	99,5

 Λάβετε τα ενδεδειγμένα μέτρα προστασίας σε περίπτωση που η ακουστική πίεση υπερβαίνει τα 85 dB(A).

Ο σταθμισμένος τετραγωνικός μέσος όρος επιτάχυνσης κατά EN 50260:

HP126FSC	HP126F2K	HP128F2K
< 2,5 m/s ²	< 2,5 m/s ²	5,6 m/s ²

HP146F2K	HP148F2K	HP188F2K
< 2,5 m/s ²	5,6 m/s ²	7,3 m/s ²



Director of Engineering
BDCI, 4/F, 2 Dai Wang Street
Tai Po Industrial Estate
Tai Po NT, Hong Kong

ΕΝΔΕΔΕΙΓΜΕΝΗ ΧΡΗΣΗ

Το δραπανοκατσάβιδο Black & Decker HP126F2/HP146F2 έχει σχεδιαστεί για εφαρμογές βιδώματος και για διάτρηση σε ξύλο, μέταλλο και πλαστικά. Το δραπανοκατσάβιδο Black & Decker HP148F2/HP188F2 έχει σχεδιαστεί για εφαρμογές βιδώματος και για διάτρηση σε ξύλο, μέταλλο, πλαστικά και μαλακή τοιχοποιία.

Αυτο το εργαλείο προορίζεται μόνο για ερασιτεχνική χρήση.

Ο φορτιστής της Black & Decker έχει σχεδιαστεί για να φορτίζει μπαταρίες Black & Decker του τύπου που παρέχονται με αυτό το εργαλείο.

ΟΔΗΓΙΕΣ ΑΣΦΑΛΕΙΑΣ

Σύμβολα ασφαλείας

Στις παρούσες οδηγίες χρησιμοποιούνται τα ακόλουθα σύμβολα:



Συμβολίζει κίνδυνο τραυματισμού ή θανάτου ή βλάβης του εργαλείου σε περίπτωση που δεν τηρηθούν οι οδηγίες χρήσεως.



Συμβολίζει ηλεκτρική τάση.



Πριν χρησιμοποιήσετε το εργαλείο διαβάστε το παρόν εγχειρίδιο προσεκτικά.



Κίνδυνος πυρκαγιάς.

Γνωρίζετε το εργαλείο



- ♦ **Προσοχή!** Κατά τη χρήση επαναφορτιζόμενων εργαλείων, θα πρέπει πάντα να λαμβάνονται οι βασικές προφυλάξεις ασφαλείας, για τον περιορισμό του κινδύνου πυρκαγιάς, διαρροής υγρού από μπαταρίες, σωματικών βλαβών και υλικών ζημιών.
- ♦ Πριν χρησιμοποιήσετε το εργαλείο διαβάστε προσεκτικά τις παρακάτω οδηγίες.
- ♦ Πριν χρησιμοποιήσετε το εργαλείο αυτό, βεβαιωθείτε ότι γνωρίζετε πώς να σβήσετε το εργαλείο σε περίπτωση έκτακτης ανάγκης.
- ♦ Φυλάξτε το εγχειρίδιο αυτό για μελλοντική αναφορά.

Γενικά

1. **Διατηρείτε καθαρό το χώρο εργασίας**
Ακατάστατοι χώροι και πάγκοι εγκυμονούν κίνδυνο τραυματισμού.
2. **Λάβετε υπ' όψη τις επιδράσεις του περιβάλλοντος**
Μην εκθέτετε ηλεκτρικά εργαλεία σε υγρασία. Φροντίστε η περιοχή εργασίας να είναι καλά φωτισμένη. Μη χρησιμοποιείτε το εργαλείο αν υπάρχει κίνδυνος να προκληθεί πυρκαγιά ή έκρηξη, π.χ. κοντά σε εύφλεκτα υγρά και αέρια.
3. **Κρατάτε τα παιδιά σε απόσταση**
Μην επιτρέπετε σε παιδιά, επισκέπτες ή ζώα να πλησιάζουν στο χώρο εργασίας ή να αγγίζουν το εργαλείο.
4. **Φοράτε τα κατάλληλα ρούχα εργασίας**
Μη φοράτε φαρδιά ρούχα ή κοσμήματα. Υπάρχει πιθανότητα να πιαστούν σε κινούμενα μέρη μηχανών. Για υπαίθριες εργασίες συνιστώνται λαστιχένια γάντια και υποδήματα που δε γλιστρούν. Εάν έχετε μακριά μαλλιά φοράτε προστατευτικό δίχτακι.
5. **Ατομική προστασία**
Φορέστε προστατευτικά γυαλιά.

Φορέστε μάσκα προσώπου ή προστασίας από τη σκόνη, στις περιπτώσεις που η εργασία ενδέχεται να προκαλέσει την παραγωγή σκόνης ή αιωρούμενων σωματιδίων. Φοράτε ωτασπίδες σε περιπτώσεις που η στάθμη του θορύβου σας προκαλεί δυσφορία.

6. Μη σκύβετε πάρα πολύ

Φροντίστε πάντοτε να έχετε την κατάλληλη στάση και να διατηρείτε την ισορροπία σας.

7. Να είστε πάντα προσεκτικοί

Παρακολουθείτε την εργασία σας. Ενεργείτε λογικά. Μη χρησιμοποιείτε το εργαλείο όταν είστε κουρασμένοι.

8. Στηρίξτε με ασφαλή τρόπο το αντικείμενο στο οποίο εργάζεστε

Χρησιμοποιείτε σφιγκτήρες ή μέγγενη για το σκοπό αυτό. Η μέθοδος αυτή είναι ασφαλέστερη και ελευθερώνει και τα δύο σας χέρια για το χειρισμό του εργαλείου.

9. Συνδέστε τη συσκευή αφαίρεσης σκόνης

Εάν παρέχονται συσκευές για τη σύνδεση συσκευών αφαίρεσης και συλλογής σκόνης, βεβαιωθείτε ότι η σύνδεση και η χρήση τους γίνεται με τον ενδεδειγμένο τρόπο.

10. Απομακρύνετε από το μηχάνημα τα κλειδιά που χρησιμοποιείτε για τη ρύθμισή του

Πριν βάλετε σε λειτουργία το εργαλείο, βεβαιωθείτε πάντα ότι έχετε βγάλει από αυτό τα κλειδιά για τη ρύθμισή του.

11. Χρησιμοποιείτε το σωστό εργαλείο

Η ενδεδειγμένη χρησιμοποίηση αναφέρεται σε αυτές τις οδηγίες χρήσεως. Μη χρησιμοποιείτε εργαλεία χαμηλής ισχύος ή προσθήκες για βαριές εργασίες. Το εργαλείο σας θα λειτουργήσει επιτυχέστερα και ασφαλέστερα εάν χρησιμοποιηθεί σύμφωνα με της προδιαγραφές του. Μη ζορίζετε το εργαλείο.

Προσοχή! Τόσο η χρήση εξαρτημάτων ή προσθηκών όσο και η πραγματοποίηση εργασιών που δεν συνιστώνται στις οδηγίες αυτές εγκυμονεί κίνδυνο τραυματισμού.

12. Ελέγχετε εάν το εργαλείο σας έχει θλάδες

Πριν από τη χρήση, ελέγξτε προσεκτικά το εργαλείο για τυχόν ζημιές.

Ελέγξτε για τυχόν κακή ευθυγράμμιση και εμπλοκή των κινούμενων μερών, για μέρη που έχουν σπάσει, για τυχόν ζημιές στους προφυλακτήρες και τους διακόπτες, και γενικά κάθε είδους συνθήκες οι οποίες ενδέχεται να επηρεάσουν τη λειτουργία του εργαλείου. Βεβαιωθείτε ότι το εργαλείο λειτουργεί κανονικά και χρησιμοποιείται για το σκοπό για τον οποίο προορίζεται. Μη χρησιμοποιείτε το εργαλείο αν κάποιο εξάρτημά του παρουσιάζει ελάττωμα. Μη χρησιμοποιείτε το εργαλείο, εάν ο διακόπτης δεν μπορεί να το θέσει εντός ή εκτός λειτουργίας. Φροντίστε για την επισκευή ή αντικατάσταση τυχόν ελαττωματικών εξαρτημάτων από εξουσιοδοτημένο κέντρο επισκευών. Ποτέ μην επιχειρήσετε να επισκευάσετε οι ίδιοι το εργαλείο.

13. Αφαιρέστε τη μπαταρία

Αφαιρέστε τη μπαταρία όταν το εργαλείο δεν χρησιμοποιείται, προτού αλλάξετε οποιοδήποτε ανταλλακτικό, παρελκόμενο ή εξάρτημα του εργαλείου, και πριν από τη συντήρησή του.

14. Αποφύγετε την τυχαία εκκίνηση του εργαλείου

Μη μεταφέρετε το εργαλείο έχοντας το δάκτυλό σας πάνω στο διακόπτη εκκίνησης. Βεβαιωθείτε ότι κατά την εισαγωγή της μπαταρίας, το εργαλείο είναι σβηστό.

15. Μην κακομεταχειρίζεστε το καλώδιο

Ποτέ μη μεταφέρετε το φορτιστή κρατώντας τον από το καλώδιο και μην τον τραβάτε από το καλώδιο για να το βγάλετε από την πρίζα. Φροντίστε το καλώδιο να παραμένει μακριά από τη θερμότητα, τα λάδια και από αιχμηρές ακμές.

16. Φυλάγετε τα εργαλεία σας σε ασφαλές μέρος

Όταν δεν χρησιμοποιούνται, τα εργαλεία, φορτιστές και οι μπαταρίες πρέπει να αποθηκεύονται σε ξηρό χώρο, μακριά από τα παιδιά.

17. Συντηρήστε προσεκτικά τα εργαλεία

Φροντίστε τα εργαλεία σας να είναι κοφτερά και καθαρά, ώστε να προσφέρουν υψηλή απόδοση και ασφάλεια κατά τη χρήση τους. Ακολουθήστε τις σχετικές οδηγίες σε ότι αφορά τη συντήρηση και την αλλαγή των εξαρτημάτων. Φροντίστε οι λαβές και οι διακόπτες να είναι στεγνοί, καθαροί και χωρίς λάδια ή γράσα.

18. Επισκευές

Το εργαλείο αυτό συμμορφώνεται με τις σχετικές προϋποθέσεις ασφαλείας. Οι επισκευές θα πρέπει να γίνονται μόνο από ειδικευμένους τεχνικούς και με τη χρήση αποκλειστικά γνήσιων ανταλλακτικών, διαφορετικά υπάρχει το ενδεχόμενο σοβαρού κινδύνου για το χρήστη.

Επιπρόσθετες οδηγίες ασφαλείας για μπαταρίες και φορτιστές

Μπαταρίες

- ◆ Μην επιχειρήσετε ποτέ να την ανοίξετε, για κανένα λόγο.
- ◆ Μην την εκθέτετε σε νερό.
- ◆ Μην την αποθηκεύετε σε χώρους όπου η θερμοκρασία μπορεί να υπερβεί τους 40 °C.
- ◆ Να τη φορτίζετε μόνο σε θερμοκρασία περιβάλλοντος μεταξύ 4 °C και 40 °C.
- ◆ Η φόρτιση πρέπει να γίνεται μόνο με το φορτιστή που συμπεριλαμβάνεται με το εργαλείο (βλ. τεχνικά χαρακτηριστικά).
- ◆ Πριν από τη φόρτιση, βεβαιωθείτε ότι η μπαταρία είναι στεγνή και καθαρή.
- ◆ Χρησιμοποιήστε μόνο το σωστό για το εργαλείο τύπο μπαταρίας (βλ. τεχνικά χαρακτηριστικά).
- ◆ Σε ότι αφορά την απόρριψη των μπαταριών, ακολουθήστε τις οδηγίες που παρατίθενται στην ενότητα "Περιβάλλον".
- ◆ Σε περίπτωση έκθεσης σε ακραίες συνθήκες, η μπαταρία ενδέχεται να παρουσιάσει διαρροή. Αν παρατηρήσετε υγρά στην μπαταρία, ενεργήστε ως ακολούθως:
 - Σκουπίστε προσεκτικά τα υγρά με ένα πανί. Αποφύγετε την επαφή με το δέρμα.
 - Σε περίπτωση επαφής με το δέρμα ή τα μάτια, ακολουθήστε τις παρακάτω οδηγίες.



Το υγρό μπαταριών, ένα διάλυμα 25-30% υδροξειδίου του καλίου, μπορεί να είναι βλαβερό. Σε περίπτωση δερματικής επαφής, ξεπλύνετε αμέσως με νερό. Εξουδετερώστε με ήπιο οξύ όπως χυμός λεμονιού ή ξίδι. Σε περίπτωση επαφής με τα μάτια, ξεπλύνετε με άφθονο καθαρό νερό για 10 λεπτά τουλάχιστον. Συμβουλευτείτε γιατρό.



Κίνδυνος πυρκαϊάς! Αποφεύγετε βραχυκύκλωμα με μέταλλο των επαφών της μπαταρίας (π.χ. κλειδιά που είναι στην ίδια τσέπη με την μπαταρία).



Μην καίτε την μπαταρία.



Μην φορτίζετε κατεστραμμένες μπαταρίες.

Φορτιστές

- Χρησιμοποιήστε μόνο το φορτιστή της Black & Decker για τη φόρτιση μπαταριών του τύπου που συνοδεύει το εργαλείο σας. Σε άλλες μπαταρίες ενδέχεται να σημειωθεί διάβρωση τους, προκαλώντας τραυματισμό και ζημιά.
- Μην επιχειρήσετε ποτέ να επαναφορτίσετε μη επαναφορτιζόμενες μπαταρίες.
- Αντικαταστήστε αμέσως τα ελαττωματικά καλώδια.
- Μην τον εκθέτετε σε νερό.
- Μην ανοίγετε το φορτιστή.
- Μη σκαλιζετε το φορτιστή.



Προορίζεται μόνο για χρήση σε κλειστούς χώρους.

Συμπληρωματικές οδηγίες ασφαλείας για δραπενοκαθαρίδα

- Πριν από τη διάτρηση τοίχων, δαπέδων ή οροφών, εντοπίστε τις θέσεις όπου βρίσκονται καλώδια και σωληνώσεις.
- Αποφύγετε να αγγίξετε τη μύτη ενός τρυπανιού αμέσως μετά τη διάτρηση, καθώς ενδέχεται να είναι πολύ ζεστή.

ΗΛΕΚΤΡΙΚΗ ΑΣΦΑΛΕΙΑ

Βεβαιωθείτε ότι η τάση του φορτιστή σας αντιστοιχεί με την τάση του δικτύου σας.



Ο φορτιστής σας φέρει διπλή μόνωση κατά EN 60335. Κατά συνέπεια δε χρειάζεται καλώδιο γείωσης.

Χρήση καλωδίου επέκτασης

Εάν χρειάζεται καλώδιο επέκτασης, χρησιμοποιήστε εγκεκριμένο καλώδιο επέκτασης κατάλληλο για την απορροφούμενη ηλεκτρική ισχύ αυτού του φορτιστή (δείτε πλακέτα). Η ελάχιστη διατομή του αγωγού είναι 1 mm². Όταν χρησιμοποιείτε καρούλι καλωδίου, πάντα ξετυλίγετε τελείως το καλώδιο.

ΓΕΝΙΚΗ ΠΕΡΙΓΡΑΦΗ (εικ. Α)

- Διακόπτης μεταβλητής ταχύτητας
- Συρόμενος διακόπτης εμπρός / πίσω
- Διακόπτης επιλογής λειτουργίας / κολάρο ρύθμισης ροπή
- Τσοκ
- Διακόπτης επιλογής δύο ταχυτήτων
- Ενδειξη φόρτισης μπαταρίας (HP128F2/HP148F2/HP188F2)
- Υποδοχή μύτης
- Πλευρική λαβή (HP188F2)
- Μπαταρία
- Κουμπί απελευθέρωσης μπαταρίας
- Φορτιστής
- Ενδειξη φόρτισης
- Ενδειξη τέλους φόρτισης

ΣΥΝΑΡΜΟΛΟΓΗΣΗ

Τοποθέτηση και αφαίρεση της μπαταρίας (εικ. Β)

- Για να τοποθετήσετε την μπαταρία (9), ευθυγραμμίστε την με την υποδοχή πάνω στο εργαλείο. Ολισθήστε την μπαταρία μέσα στην υποδοχή και σπρώξτε μέχρις ότου η μπαταρία κουμπώσει στη θέση της.
- Για να αφαιρέσετε τη μπαταρία, σπρώξτε το κουμπί απελευθέρωσης (10) και τραβήξτε ταυτόχρονα τη μπαταρία έξω από την υποδοχή.

Τοποθέτηση και αφαίρεση τρυπανιού ή μύτης καθαριδίου (εικ. Α & C)

Το εργαλείο αυτό διαθέτει τσοκ χωρίς κλειδί ώστε να διευκολύνεται η αλλαγή εξαρτημάτων.

- Ασφαλίστε το εργαλείο, θέτοντας το συρόμενο διακόπτη λειτουργίας εμπρός/ ανάποδα (2) στη μεσαία θέση (εικ. Α).

- ♦ Ανοίξτε στο τσοκ, γυρίζοντας το μπροστινό μέρος του (15) με το ένα χέρι και κρατώντας ταυτόχρονα το πίσω μέρος (16) με το άλλο (εικ. C).
- ♦ Εισάγετε τον άξονα της μύτης (17) μέσα στο τσοκ.
- ♦ Σφίξτε καλά το τσοκ, γυρίζοντας το μπροστινό μέρος του (15) με το ένα χέρι ενώ κρατάτε το πίσω μέρος (16) με το άλλο.

Το εργαλείο αυτό συνοδεύεται με μύτη κατασαβιδιού διπλής όψης στην υποδοχή μύτης (7) (εικ. A).

- ♦ Για να αφαιρέσετε τη μύτη του κατασαβιδιού από την υποδοχή, ανασηκώστε τη μύτη από την εσοχή.
- ♦ Για να αποθηκεύσετε τη μύτη του κατασαβιδιού, πιέστε την καλά πάνω στην υποδοχή.

HP126F2/HP146F2 -

Αφαίρεση και τοποθέτηση του τσοκ (εικ. D)

Το τσοκ σε αυτά τα μοντέλα αφαιρείται και επανατοποθετείται εύκολα. Όταν θέλετε και να τρυπήσετε και να βιδώσετε, τοποθετήστε μία μύτη κατασαβιδιού στην άτρακτο και μία μύτη τρυπανιού στο τσοκ: θα χρειαστεί να αφαιρέσετε το τσοκ για να βιδώσετε και να το επανατοποθετήσετε για να τρυπήσετε. Η μύτη του κατασαβιδιού μπορεί να παραμείνει στην άτρακτο ενώ τρυπάτε. Μπορείτε επίσης με τον ίδιο τρόπο να τοποθετήσετε τρυπάνια με εξάγωνο άξονα.

- ♦ Για να αφαιρέσετε το τσοκ (4), κρατήστε πατημένες τις γλωττίδες απελευθέρωσης (18) και τραβήξτε το τσοκ έξω από την άτρακτο (19).
- ♦ Για να τοποθετήσετε μία μύτη κατασαβιδιού (20), τη σπρώχνετε μέσα στην άτρακτο (19) όπως υποδεικνύεται. Για να αφαιρέσετε τη μύτη του κατασαβιδιού, τραβήξτε τον δακτύλιο (21) προς τα πίσω και βγάλτε τη μύτη από την άτρακτο.
- ♦ Για να επανατοποθετήσετε το τσοκ, σπρώξτε το πάνω στην άτρακτο μέχρι να σταθεροποιηθεί στη θέση του.



Να βεβαιώνετε πάντα ότι το τσοκ έχει στερεωθεί καλά.

HP188F2 -

Τοποθέτηση της πλευρικής λαβής (εικ. A)

- ♦ Χαλαρώστε την πλευρική λαβή (8) στρέφοντάς την αριστερόστροφα.
- ♦ Τραβήξτε την πλευρική λαβή πάνω από το τσοκ του εργαλείου προς το περίβλημα.
- ♦ Σφίξτε την πλευρική λαβή στρέφοντάς την δεξιόστροφα.

ΧΡΗΣΗ



Αφήστε το εργαλείο να λειτουργήσει στο δικό του ρυθμό και μην το υπερφορτώνετε.

Φόρτιση μπαταρίας (εικ. E)

Η μπαταρία πρέπει να φορτιστεί πριν από την πρώτη χρήση και όποτε δεν μπορεί να παράγει αρκετή ισχύ για εργασίες που παλαιότερα εκτελούνταν με ευκολία. Μία καινούρια μπαταρία, ή μία μπαταρία που δεν έχει χρησιμοποιηθεί για μεγάλο χρονικό διάστημα, επιτυγχάνει πλήρη απόδοση μόνο ύστερα από 5 περίπου κύκλους φόρτισης και εκφόρτισης. Η μπαταρία μπορεί να ζεσταθεί κατά τη φόρτισή της. Αυτό είναι φυσιολογικό και δεν είναι ενδεικτικό κάποιου προβλήματος.



Μη φορτίζετε τη μπαταρία σε θερμοκρασίες περιβάλλοντος κάτω των 4 °C ή άνω των 40 °C. Συνιστώμενη θερμοκρασία φόρτισης: περίπου 24 °C.

Μετά από κανονική χρήση, ο χρόνος φόρτισης των 60 λεπτών είναι αρκετός για να παρέχει επαρκή ισχύ στις περισσότερες συσκευές. Ωστόσο, ο μεγαλύτερος χρόνος φόρτισης, έως και 90 λεπτά, αυξάνει σημαντικά τον χρόνο χρήσης, ανάλογα τη μπαταρία και τις συνθήκες φόρτισης.

- ♦ Για να φορτίσετε τη μπαταρία (9), αφαιρέστε την από το εργαλείο και τοποθετήστε την στο φορτιστή (11). Η μπαταρία μπαίνει στο φορτιστή κατά ένα τρόπο και μόνο. Μην ασκείτε πίεση. Βεβαιωθείτε ότι η μπαταρία έχει εφαρμόσει καλά στο φορτιστή.
- ♦ Βάλτε το φορτιστή στην πρίζα.

- ◆ Ελέγξτε αν ανάβει ο κόκκινος δείκτης φόρτισης (12). Αν αντ' αυτού, έχει ανάψει ο πράσινος δείκτης τέλους φόρτισης (13), αυτό σημαίνει ότι η μπαταρία είναι υπερβολικά ζεστή και δεν είναι δυνατόν να φορτιστεί. Αν συμβεί αυτό, αφαιρέστε την μπαταρία από το φορτιστή, αφήστε την να κρυώσει για 1 ώρα περίπου και μετά βάλτε την και πάλι στο φορτιστή.

Μετά από περίπου 1 ώρα φόρτισης, ο κόκκινος δείκτης φόρτισης (12) θα σταματήσει να είναι αναμμένος και θα ανάψει ο πράσινος δείκτης τέλους φόρτισης (13). Η μπαταρία είναι πλέον τελείως φορτισμένη.

- ◆ Αφαιρέστε τη μπαταρία από το φορτιστή.

HP128F2/HP148F2/HP188F2 -

Ελεγχος κατάστασης της μπαταρίας (εικ. F)

Το εργαλείο αυτό διαθέτει ένδειξη φόρτισης μπαταρίας, η οποία σας επιτρέπει να ελέγξετε την κατάσταση της μπαταρίας.

- ◆ Πατήστε και κρατήστε πατημένο το μπουτόν (22).
- ◆ Ελέγξτε πόσες από τις λυχνίες είναι αναμμένες (23):

	Φόρτιση μπαταρίας
1 λυχνία	χαμηλή
2 λυχνίες	μεσαία
3 λυχνίες	υψηλή

Επιλογή της κατεύθυνσης περιστροφής (εικ. G)

Για διάτρηση και για τη σύσφιξη βιδών, χρησιμοποιείτε την περιστροφή προς τα εμπρός (δεξιόστροφη). Για το λύσιμο βιδών ή για να αφαιρέσετε τρυπάνι που έχει κολλήσει, χρησιμοποιείτε την ανάποδη περιστροφή (αριστερόστροφη).

- ◆ Για να επιλέξετε την περιστροφή προς τα εμπρός, πιέστε το συρόμενο διακόπτη λειτουργίας εμπρός/πίσω (2) προς τα αριστερά.
- ◆ Για να επιλέξετε την ανάποδη περιστροφή, πιέστε το συρόμενο διακόπτη λειτουργίας εμπρός/πίσω προς τα δεξιά.
- ◆ Για να ασφαλίσετε το εργαλείο, τοποθετήστε το συρόμενο διακόπτη εμπρός / πίσω στη μεσαία θέση.

Επιλογή της κατάστασης λειτουργίας ή της ροπής (εικ. H)

Το εργαλείο αυτό διαθέτει κολάρο για την επιλογή της κατάστασης λειτουργίας και για τη ρύθμιση της ροπής για σύσφιξη βιδών. Οι μεγάλες βίδες και τα τεμάχια σκληρού υλικού, απαιτούν υψηλότερη ρύθμιση ροπής σε σύγκριση με τις μικρές βίδες και τα τεμάχια μαλακού υλικού. Το κολάρο αυτό προσφέρει μία μεγάλη κλίμακα ρυθμίσεων ανάλογα με την εφαρμογή σας.

- ◆ Για διάτρηση σε ξύλο, μέταλλο και πλαστικά, θέστε το κολάρο (3) στη θέση διάτρησης ευθυγραμμίζοντας το σύμβολο **A** με την ένδειξη (24).
- ◆ HP148F2/HP188F2:
Για διάτρηση σε τοιχοποιία, θέστε το κολάρο (3) στη θέση κρουστικής διάτρησης ευθυγραμμίζοντας το σύμβολο **T** με την ένδειξη (24).
- ◆ Για λειτουργία κατασβιδιού, θέστε το κολάρο στην επιθυμητή θέση. Αν δεν γνωρίζετε ακόμη την κατάλληλη θέση που πρέπει να επιλεγεί, ενεργήστε ως ακολούθως:
 - ◆ Ρυθμίστε το κολάρο (3) στη ρύθμιση της χαμηλότερης ροπής.
 - ◆ Σφίξτε την πρώτη βίδα.
 - ◆ Αν ο συμπλέκτης σταματήσει πριν επιτευχθεί το επιθυμητό αποτέλεσμα, αυξήστε τη ρύθμιση στο κολάρο και συνεχίστε να σφίγγετε τη βίδα.
- Επαναλάβετε τη διαδικασία αυτή μέχρι να επιτύχετε την κατάλληλη ρύθμιση. Με τη ρύθμιση αυτή, βιδώστε τις υπόλοιπες βίδες.

Διακόπτης επιλογής δύο ταχυτήτων (εικ. I)

- ◆ Για διάτρηση σε χάλυβα και για εφαρμογές βιδώματος, ολισθήστε τον διακόπτη επιλογής δύο ταχυτήτων (5) προς το εμπρός μέρος του εργαλείου (1η ταχύτητα).
- ◆ Για διάτρηση σε υλικά άλλα εκτός από τον χάλυβα, ολισθήστε τον διακόπτη επιλογής δύο ταχυτήτων (5) προς το πίσω μέρος του εργαλείου (2η ταχύτητα).

Διάτρηση/βίδωμα (εικ. A)

- ◆ Επιλέξτε την περιστροφή εμπρός ή πίσω χρησιμοποιώντας το συρόμενο διακόπτη εμπρός / πίσω (2).

- ◆ Για να θέσετε σε λειτουργία το εργαλείο, πατήστε το διακόπτη (1). Η ταχύτητα του εργαλείου εξαρτάται από το βαθμό που θα πατήσετε το διακόπτη.
- ◆ Για να θέσετε το εργαλείο εκτός λειτουργίας, αφήστε το διακόπτη.

Συμβουλές για άριστη χρήση

Διάτρηση

- ◆ Να ασκείτε πάντα μια ελαφρά πίεση στην ίδια ευθεία με το τρυπάνι.
- ◆ Μόλις το τρυπάνι βγει από την άλλη πλευρά του τεμαχίου εργασίας, ελαττώστε την ασκούμενη πίεση στο εργαλείο.
- ◆ Χρησιμοποιήστε ένα κομμάτι ξύλο για να στηρίξετε τα τεμάχια εργασίας, των οποίων το υλικό ενδέχεται να εμφανίσει ρωγμές κατά το τρύπημα.
- ◆ Για τη διάτρηση οπών μεγάλης διαμέτρου σε ξύλο, χρησιμοποιήστε τρυπάνι διχαλωτής μορφής.
- ◆ Για τη διάτρηση σε μέταλλο, χρησιμοποιήστε τρυπάνια ταχυχάλυβα (HSS).
- ◆ Χρησιμοποιήστε τρυπάνια τοίχου κατά τη διάτρηση μαλακής τοιχοποιίας.
- ◆ Χρησιμοποιήστε λιπαντικό κατά τη διάτρηση άλλου μετάλλου εκτός από χυτοσίδηρο και ορείχαλκο.
- ◆ Δημιουργήστε μια μικρή εγκοπή με μία πόντα στο κέντρο της οπής που θα τρυπηθεί, προκειμένου να τρυπήσετε με μεγαλύτερη ακρίβεια.

Βίδωμα

- ◆ Να χρησιμοποιείτε πάντα τον κατάλληλο τύπο και μέγεθος μύτης κατσαβιδιού.
- ◆ Αν το σφίξιμο των βιδών παρουσιάζει δυσκολία, απλώστε μικρή ποσότητα υγρού απορρυπαντικού ή σαπουνιού σαν λιπαντικό.
- ◆ Το εργαλείο και η μύτη του κατσαβιδιού πρέπει να κρατιούνται πάντα στην ίδια ευθεία με τη βίδα.

ΣΥΝΤΗΡΗΣΗ

Αυτό το εργαλείο της Black & Decker έχει σχεδιαστεί έτσι ώστε να λειτουργεί για μεγάλο χρονικό διάστημα με την ελάχιστη δυνατή φροντίδα. Η αδιάλειπτη και κανονική λειτουργία του εξαρτάται από τη φροντίδα του εργαλείου και τον τακτικό καθαρισμό του.

Ο φορτιστής σας δεν απαιτεί καμία συντήρηση εκτός από τον τακτικό καθαρισμό του.



Πριν εκτελέσετε οποιαδήποτε εργασία συντήρησης στο εργαλείο, αφαιρέστε τη μπαταρία από το εργαλείο.

- ◆ Βγάλτε το φορτιστή από την πρίζα πριν τον καθαρίσετε.
- ◆ Καθαρίζετε τακτικά τις οπές εξερισμού του εργαλείου σας και του φορτιστή με μαλακή βούρτσα ή με στεγνό πανί.
- ◆ Να καθαρίζετε τακτικά το περιβλημα του κινητήρα με υγρό πανί. Μη χρησιμοποιείτε στιλβωτικά ή υγρά καθαρισμού που περιέχουν διαλυτικές ουσίες.
- ◆ Να ανοίγετε τακτικά το τσοκ και να το αδειάζετε, προκειμένου να αφαιρείται η σκόνη από το εσωτερικό του.

ΠΕΡΙΒΑΛΛΟΝ

Εργαλείο



Παραδώστε το εργαλείο σας σε ένα εξουσιοδοτημένο service.

Οι τεχνικοί του θα μεριμνήσουν για την διάθεσή του κατά τρόπο που δεν βλάπτει το περιβάλλον.

Μπαταρίες



Οι μπαταρίες Black & Decker μπορούν να επαναφορτιστούν πολλές φορές.

Όταν πλέον δεν μπορούν να ξαναχρησιμοποιηθούν, απορρίψτε τις με τρόπο κατάλληλο για το περιβάλλον:

- ◆ Εξαντλήστε πλήρως τη μπαταρία και μετά αφαιρέστε την από το εργαλείο.
- ◆ Οι μπαταρίες NiCd και NiMH είναι ανακυκλώσιμες.

Στείλτε τες στον αντιπρόσωπό σας ή στον τοπικό σας σταθμό ανακύκλωσης.

Οι μπαταρίες που θα συγκεντρωθούν, θα ανακυκλωθούν ή θα απορριφθούν καταλλήλως.

ΕΓΓΥΗΣΗ

Η Black & Decker είναι σίγουρη για την ποιότητα των προϊόντων της και παρέχει σημαντική εγγύηση. Η παρούσα γραπτή εγγύηση αποτελεί πρόσθετο δικαίωμά σας και δεν ζημιώνει τα συνταγματικά σας δικαιώματα. Η εγγύηση ισχύει εντός της επικράτειας των Κρατών Μελών της Ευρωπαϊκής Ένωσης και της Ευρωπαϊκής Ζώνης Ελευθέρων Συναλλαγών.

Σε περίπτωση που κάποιο προϊόν της Black & Decker παρουσιάσει βλάβη εξαιτίας ελαττωματικών υλικών, ποιότητας εργασίας ή έλλειψης συμφωνίας με τις προδιαγραφές εντός 24 μηνών από την ημερομηνία αγοράς, η Black & Decker εγγυάται την αντικατάσταση των ελαττωματικών τμημάτων, την επισκευή προϊόντων που έχουν υποστεί εύλογη φθορά λόγω χρήσης ή την αντικατάσταση των προϊόντων προκειμένου να εξασφαλίσει την ελάχιστη ενόχληση στους πελάτες της, εκτός αν:

- ◆ Το προϊόν έχει χρησιμοποιηθεί σε εργασιακό, επαγγελματικό περιβάλλον ή αν έχει ενοικιαστεί
- ◆ Έχει γίνει εσφαλμένη χρήση του προϊόντος ή αν έχει παραμεληθεί
- ◆ Το προϊόν έχει υποστεί βλάβη από άλλα αντικείμενα, από ουσίες ή λόγω ατυχήματος

Τεχνικά χαρακτηριστικά

		HP126FSC	HP126F2K	HP128F2K
Τάση	V_{DC}	12	12	12
Ταχύτητα άφορτου κίνησης	min^{-1}	0-400/0-1.200	0-400/0-1.200	0-400/0-1.200
Μέγιστη ροπή	Nm	20,2	20,2	20,2
Απόδοση τσοκ	mm	10	10	10
Μέγιστη ικανότητα διάτρησης σε χάλυβα / Ξύλο / τοιχοποιία	mm	10/25/-	10/25/-	10/25/12
Αριθμός συντήρησης μπαταρίας		A12F	A1712	A1712
Χωρητικότητα	Ah	1,5	1,7	1,7
Βάρος (χωρίς μπαταρία)	kg	1,3	1,3	1,2

		HP146F2K	HP148F2K	HP188F2K
Τάση	V_{DC}	14,4	14,4	18
Ταχύτητα άφορτου κίνησης	min^{-1}	0-300/0-1.100	0-300/0-1.100	0-500/0-1.600
Μέγιστη ροπή	Nm	22,1	22,1	29,4
Απόδοση τσοκ	mm	10	13	13
Μέγιστη ικανότητα διάτρησης σε χάλυβα / Ξύλο / τοιχοποιία	mm	10/30/-	13/30/12	13/35/15
Αριθμός συντήρησης μπαταρίας		A1714	A1714	A1718
Χωρητικότητα	Ah	1,7	1,7	1,7
Βάρος (χωρίς μπαταρία)	kg	1,3	1,4	1,4

Φορτιστής

Τάση δικτύου	V_{AC}	230
Χρόνος φόρτισης κατά προσέγγιση	h	1

- ♦ Έχει γίνει προσπάθεια επισκευής από μη εξουσιοδοτημένα κέντρα επισκευών ή από προσωπικό που δεν ανήκει στο προσωπικό της Black & Decker

Για να ισχύσει η εγγύηση, πρέπει να υποβάλετε απόδειξη αγοράς στον πωλητή ή το εξουσιοδοτημένο κέντρο επισκευών.

Ενημερωθείτε για το πλησιέστερο κέντρο επισκευών της περιοχής σας, επικοινωνώντας με τα γραφεία της Black & Decker στη διεύθυνση που αναγράφεται στο εγχειρίδιο. Επίσης, για να πληροφορηθείτε για τα εξουσιοδοτημένα κέντρα επισκευών της Black & Decker, τις λεπτομέρειες και τους αρμόδιους των υπηρεσιών που παρέχονται μετά την πώληση, μπορείτε να ανατρέξετε στο Διαδίκτυο στη διεύθυνση:

www.2helpU.com

Παρακαλούμε να επισκεφτείτε την ιστοσελίδα μας **www.blackanddecker.com** για να καταχωρήσετε το νέο σας προϊόν Black & Decker και για να ενημερώνεστε για τα νέα προϊόντα και τις ειδικές προσφορές. Περισσότερες πληροφορίες σχετικά με τη μάρκα Black & Decker και τη σειρά προϊόντων μας θα βρείτε στη διεύθυνση **www.blackanddecker.com**

Australia	Black & Decker (Australia) Pty. Ltd. 20 Fletcher Road, Mooroolbark, Victoria, 3138	Tel. 03-8720 5100 Fax 03-9727 5940
België/Belgique	Black & Decker (Belgium) N.V. Campus Noord, Schaliënhoevedreef 20E 2800 Mechelen	Tel. 015 - 47 92 11 Fax 015 - 47 92 10
Danmark	Black & Decker Sluseholmen 2-4, 2450 København SV Internet: www.blackanddecker.dk	Tel. 70 20 15 30 Fax 36 94 45 10
Deutschland	Black & Decker GmbH Black & Decker Str. 40, D - 65510 Idstein	Tel. 06126/21 - 0 Fax 06126/21 29 80
Ελλάδα	Black & Decker (Ελλάς) Α.Ε. Στράβωνος 7 & Λεωφ. Βουλιαγμένης 159 166 74 Γλυφάδα - Αθήνα	Τηλ. 210 8981616 Τηλ. 210 8982630 Φαξ Service 210 8983285
España	Black & Decker Ibérica, S.C.A. Parque de Negocios "Mas Blau" Edificio Muntadas, c/Bergadá, 1, Of. A6 08820 El Prat de Llobregat (Barcelona)	Tel. 934 797 400 Fax 934 797 419
France	Black & Decker (France) S.A.S. B.P. 21, 69571 Dardilly Cédex	Tel. 04 72 20 39 20 Fax 04 72 20 39 00
Helvetia	ROFO AG Gewerbezone Seeblick 3213 Kleinbödingen	Tel. 026-6749391 Fax 026-6749394
Italia	Black & Decker Italia SpA Viale Elvezia 2 20052 Monza (MI)	Tel. 039-23871 Fax 039-2387592/2387594 Numero verde 800-213935
Nederland	Black & Decker Benelux Joulehof 12, 4622 RG Bergen op Zoom	Tel. 0164 - 283000 Fax 0164 - 283100
New Zealand	Black & Decker 81 Hugo Johnston Drive Penrose, Auckland, New Zealand	Tel. 09 579 7600 Fax 09 579 8200
Norge	Black & Decker (Norge) A/S Postboks 4814, Nydalen, 0422 Oslo Internet: www.blackanddecker.no	Tlf. 22 90 99 00 Fax 22 90 99 01
Österreich	Black & Decker Vertriebsges.m.b.H Erlaaerstraße 165, 1231 Wien	Tel. 01 66116-0 Fax 01 66116-14
Portugal	Black & Decker Rua Egas Moniz 173 S. João do Estoril 2766-651 Estoril	Tel. 214667500 Fax 214667575
Suomi	Black & Decker Oy Keilasatama 3, 02150 Espoo Black & Decker Oy, Kägelhamnen 3, 02150 Esbo	Puh.: 010 400 430 Faksi: (09) 2510 7100 Tel: 010 400 430 Fax: (09) 2510 7100
Sverige	Black & Decker AB Fabriksg. 7, 412 50 Göteborg	Tel: 031-68 60 60 Fax: 031-68 60 80
Türkiye	İntratek Mühendislik ve Dış Tic. A.Ş. Ortaklar Cad. No:19/2 80290 Mecidiyeköy / İstanbul	Tel. 0212 211 22 10 Faks 0212 266 33 03
United Kingdom	Black & Decker 210 Bath Road Slough, Berkshire SL1 3YD	Tel. 01753 511234 Fax 01753 551155 Helpline 01753 574277
Middle East & Africa	Black & Decker (Overseas) A.G. PB 5420, Dubai, United Arab Emirates	Tel. +971 4 2826464 Fax +971 4 2826466

Dealer address
Händleradresse
Cachet du revendeur
Indirizzo del rivenditore
Adres van de dealer
Dirección del detallista
Morada do revendedor
Återförsäljarens adress
Forhandlerens adresse
Forhandler adresse
Jälleenmyyjän osoite
Διεύθυνση αντιπροσώπου

Date of purchase
Kaufdatum
Date d'achat
Data d'acquisto
Aankoopdatum
Fecha de compra
Data de compra
Inköpsdatum
Inköpsdato
Indkøbsdato
Ostopäivä
Ημερομηνία αγοράς

◆ Name ◆ Name ◆ Nom ◆ Nome ◆
◆ Naam ◆ Nombre ◆ Nome ◆ Namm
◆ Navn ◆ Navn ◆ Nimi ◆ Ovojua:
.....
◆ Address ◆ Adresse ◆ Adresse ◆
Indirizzo ◆ Adresse ◆ Dirección ◆ Morada
◆ Address ◆ Adresse ◆ Adresse ◆ Osoite
◆ Διεύθυνση:

◆ Town ◆ Ort ◆ Ville ◆ Città ◆ Plaats
◆ Ciudad ◆ Localidade ◆ Ort ◆ By
◆ Paikkakunta ◆ Πόλη:

◆ Postal code ◆ Postleitzahl ◆ Code
postal ◆ Codice postale ◆ Postcode
◆ Código ◆ Código postal ◆ Postnr.
◆ Postnr. ◆ Postnr. ◆ Postnummero
◆ Κωδικός

◆ Is this tool a gift? ◆ Ist dieses Gerät
ein Geschenk? ◆ S'agit-il d'un cadeau?
◆ Si tratta di un regalo? ◆ Kreeg u de
machine als cadeau? ◆ ¿Ha recibido
usted esta herramienta como regalo?
◆ Recebeu esta ferramenta como
presente? ◆ Är verktyget en gåva?
◆ Er verkjøyet en gave? ◆ Er verkjøyet
en gave? ◆ Onko kone lahja?
◆ Το εργαλείο είναι δωρό?

◆ Yes ◆ Ja ◆ Oui ◆ Si ◆ Ja ◆ Sí
◆ Sim ◆ Ja ◆ Ja ◆ Ja ◆ Kyllä ◆ Naa
 ◆ No ◆ Nein ◆ Non ◆ No ◆ Nee
◆ No ◆ Nao ◆ Nej ◆ Nei ◆ Nej
◆ Ei ◆ Oxi

◆ Is this tool your first purchase? ◆ Ist
dieses Gerät ein Erstkauf? ◆ Est-ce un
1er achat? ◆ Questo prodotto è il suo
primo acquisto? ◆ Is deze machine uw
eerste aankoop? ◆ ¿Es esta
herramienta la primera de este tipo?
◆ Esta ferramenta é a sua primeira
compra? ◆ Är detta ditt första B&D-
verktyg? ◆ Er dette ditt første B&D-
verktyg? ◆ Er dette ditt første B&D

verktyg? ◆ Onko tämä ensimmäinen
B&D-koneesi? ◆ Είναι το εργαλείο
αυτο η πρώτη σας αγορά?

◆ Yes ◆ Ja ◆ Oui ◆ Si ◆ Ja ◆ Sí
◆ Sim ◆ Ja ◆ Ja ◆ Ja ◆ Kyllä ◆ Naa
 ◆ No ◆ Nein ◆ Non ◆ No ◆ Nee
◆ No ◆ Nao ◆ Nej ◆ Nei ◆ Nej
◆ Ei ◆ Oxi

◆ Dealer address ◆ Händleradresse
◆ Cachet du revendeur ◆ Indirizzo del
rivenditore ◆ Adres van de dealer
◆ Dirección del detallista ◆ Morada do
revendedor ◆ Återförsäljarens adress
◆ Forhandlerens adresse ◆ Forhandler
adresse ◆ Jälleenmyyjän osoite
◆ Διεύθυνση αντιπροσώπου

Cat. no.:



◆ Data protection act: Tick the box if
you prefer not to receive further
information. ◆ Bitte ankreuzen, falls Sie
keine weiteren Informationen erhalten
möchten. ◆ Si vous ne souhaitez pas
recevoir d'informations, cochez cette
case. ◆ Barrate la casella se non
desiderate ricevere informazioni.
◆ A.u.b. dit vakje aankruisen indien u
geen informatie wenst te ontvangen.
◆ Señale en la casilla sino quiere recibir
información. ◆ Por favor, assinala com
uma cruz se não desejar receber
informação. ◆ Vänligen kryssa för i
rutan om Ni inte vill ha information.
◆ Vennligst kryss av dersom du ikke
ønsker informasjon. ◆ Venligst sæt
kryds i ruden såfremt De ikke måtte
ønske at modtage information.
◆ Merkitkää rasti ruutuun, mikäli ette
halua vastaanottaa informaatiota.
◆ Παρακαλείσθε να σημειώσετε εάν
δεν θέλετε να πάρετε πληροφορίες;

- ◆ GUARANTEE CARD
- ◆ GARANTIEKART
- ◆ GARANTI KORT
- ◆ GARANTIEKARTE
- ◆ TARJETA DE GARANTÍA
- ◆ GARANTI KORT
- ◆ CARTE DE GARANTIE
- ◆ CARTÃO DE GARANTIA
- ◆ TAKUUKORTTI
- ◆ TAGLIANDO DI GARANZIA
- ◆ GARANTIBEVIS
- ◆ KAPTA EFTYHSHZ



English

Please complete this section immediately after the purchase of your tool and send it to Black & Decker in your country. If you live in Australia or New Zealand, please register by using the alternative guarantee card supplied.

Español

Después de haber comprado su herramienta envíe usted, por favor, esta tarjeta a la central de Black & Decker en su país.

Deutsch

Bitte schneiden Sie diesen Abschnitt ab, stecken ihn in einen frankierten Umschlag und schicken ihn an die Black & Decker Adresse Ihres Landes.

Português

Por favor, recorte esta parte, coloque-a num envelope selado e endereçado e envie-o logo após a compra do seu produto para o endereço da Black & Decker do seu país.

Français

Découpez cette partie et envoyez-la sous enveloppe timbrée à l'adresse de Black & Decker dans votre pays, ceci immédiatement après votre achat.

Norsk

Var vänlig klipp ur denna del och sänd den i ett frankerat kuvert till Black & Deckers adress i Ditt land.

Italiano

Per favore ritagliate questa parte, inseritela in una busta con francobollo e spedite la subito dopo l'acquisto del prodotto all'indirizzo della Black & Decker nella vostra nazione.

Dansk

Venligst klip denne del ud og send frankeret til Black & Decker i dit land.

Nederlands

Knip dit gedeelte uit en zend het direct na aankoop in een gefrankeerde, geaddresserde envelop naar het adres van Black & Decker in uw land.

Suomi

Leikkaa irti tämä osa, laita se kuoreen ja postitla kuori paikalliseen Black & Decker osoitteeseen.

Ελληνικά

Ταξιδιάζω κόψτε αυτό το κομμάτι και ταχυδρομήστε το μετρώς μετά την αγορά του προϊόντος σας στην διεύθυνση της Black & Decker στην Ελλάδα.