

Intended use

Your Black & Decker cordless pole pruner has been designed for pruning trees. This tool is intended for consumer use only.

Your Black & Decker charger has been designed for charging Black & Decker batteries of the type supplied with this tool.

Safety instructions

General power tool safety warnings



Warning! Read all safety warnings and all instructions.

Failure to follow the warnings and instructions listed below may result in electric shock, fire and/or serious injury..

Save all warnings and instructions for future reference.

The term “power tool” in all of the warnings listed below refers to your mains operated (corded) power tool or battery operated (cordless) power tool.

Work area safety

- **Keep work area clean and well lit.** Cluttered or dark areas invite accidents.
- **Do not operate power tools in explosive atmospheres, such as in the presence of flammable liquids, gases or dust.** Power tools create sparks which may ignite the dust or fumes.
- **Keep children and bystanders away while operating a power tool.** Distractions can cause you to lose control.

Electrical safety

- **Power tool plugs must match the outlet. Never modify the plug in any way. Do not use any adapter plugs with earthed (grounded) power tools.** Unmodified plugs and matching outlets will reduce risk of electric shock.
- **Avoid body contact with earthed or grounded surfaces such as pipes, radiators, ranges and refrigerators.** There is an increased risk of electric shock if your body is earthed or grounded.
- **Do not expose power tools to rain or wet conditions.** Water entering a power tool will increase the risk of electric shock.

- **Do not abuse the cord. Never use the cord for carrying, pulling or unplugging the power tool. Keep cord away from heat, oil, sharp edges or moving parts.** Damaged or entangled cords increase the risk of electric shock.
- **When operating a power tool outdoors, use an extension cord suitable for outdoor use.** Use of a cord suitable for outdoor use reduces the risk of electric shock.
- **If operating a power tool in a damp location is unavoidable, use a residual current device (RCD) protected supply.** Use of an RCD reduces the risk of electric shock.

Personal safety

- **Stay alert, watch what you are doing and use common sense when operating a power tool. Do not use a power tool while you are tired or under the influence of drugs, alcohol or medication.** A moment of inattention while operating power tools may result in serious personal injury.
- **Use personal protective equipment. Always wear eye protection.** Protective equipment such as dust mask, non-skid safety shoes, hard hat, or hearing protection used for appropriate conditions will reduce personal injuries.
- **Prevent unintentional starting. Ensure the switch is in the off-position before connecting to power source and/or battery pack, picking up or carrying the tool.** Carrying power tools with your finger on the switch or energising power tools that have the switch on invites accidents.
- **Remove any adjusting key or wrench before turning the power tool on.** A wrench or a key left attached to a rotating part of the power tool may result in personal injury.
- **Do not overreach. Keep proper footing and balance at all times.** This enables better control of the power tool in unexpected situations.
- **Dress properly. Do not wear loose clothing or jewellery. Keep your hair, clothing and gloves away from moving parts.** Loose clothes, jewellery or long hair can be caught in moving parts.
- **If devices are provided for the connection of dust extraction and collection facilities, ensure these are connected and properly used.** Use of dust collection can reduce dust-related hazards.

Power tool use and care

- **Do not force the power tool. Use the correct power tool for your application.** The correct power tool will do the job better and safer at the rate for which it was designed.
- **Do not use the power tool if the switch does not turn it on and off.** Any power tool that cannot be controlled with the switch is dangerous and must be repaired.
- **Disconnect the plug from the power source and/or the battery pack from the power tool before making any adjustments, changing accessories, or storing power tools.** Such preventive safety measures reduce the risk of starting the power tool accidentally.
- **Store idle power tools out of the reach of children and do not allow persons unfamiliar with the power tool or these instructions to operate the power tool.** Power tools are dangerous in the hands of untrained users.
- **Maintain power tools. Check for misalignment or binding of moving parts, breakage of parts and any other condition that may affect the power tools operation. If damaged, have the power tool repaired before use.** Many accidents are caused by poorly maintained power tools.
- **Keep cutting tools sharp and clean.** Properly maintained cutting tools with sharp cutting edges are less likely to bind and are easier to control.
- **Use the power tool, accessories and tool bits etc., in accordance with these instructions, taking into account the working conditions and the work to be performed.** Use of the power tool for operations different from those intended could result in a hazardous situation.

Battery tool use and care

- **Recharge only with the charger specified by the manufacturer.** A charger that is suitable for one type of battery pack may create a risk of fire when used with another battery pack.
- **Use power tools only with specifically designated battery packs.** Use of any other battery packs may create a risk of injury and fire.
- **When battery pack is not in use, keep it away from other metal objects, like paper clips, coins, keys, nails, screws, or other small metal objects, that can make a connection from one terminal to another.** Short-circuiting the battery terminals together may cause burns or a fire.

- **Under abusive conditions, liquid may be ejected from the battery; avoid contact. If contact accidentally occurs, flush with water. If liquid contacts eyes, additionally seek medical help.** Liquid ejected from the battery may cause irritation or burns.

Service

- **Have your power tool serviced by a qualified repair person using only identical replacement parts.** This will ensure that the safety of the power tool is maintained.

Additional safety instructions for pole pruners

The intended use is described in this instruction manual. Do not use the tool for purposes not intended; for example do not use the tool to fell trees. The use of any accessory or attachment or performance of any operation with this tool other than those recommended in this instruction manual may present a risk of personal injury.

- Wear close fitting and protective clothing including a safety helmet with visor/goggles, ear protectors, non-skid safety footwear, protective bib trousers and strong leather gloves.
- Always position yourself out of the path of falling branches.
- The safe distance between a branch to be felled and bystanders, buildings and other objects is at least 2 1/2 times the length of the branch. Any bystander, building or object within this distance is at risk from being struck by the falling branch.
- Pre-plan a safe exit from falling trees or branches. Ensure the exit route is clear of obstacles that would prevent or hinder movement. Remember wet grass and freshly cut bark is slippery.
- Ensure someone is nearby (but at a safe distance) in case of an accident.
- Do not use the tool while standing in a tree, on a ladder or on any other unstable surface.
- Keep proper footing and balance at all times.
- Hold the tool firmly with both hands when the motor is running.
- Do not let the moving chain contact any object at the tip of the guide bar.
- Start cutting only with the chain moving at full speed.
- Do not attempt to enter a previous cut. Always make a fresh cut.
- Watch for shifting branches or other forces that could close a cut and pinch or fall into the chain.

- Do not attempt to cut a branch when the diameter of the branch exceeds the cutting length of the tool.
- Always remove the battery from the tool and place the chain cover over the chain when storing or transporting the tool.
- Keep the saw chain sharp and properly tensioned. Check the tension at regular intervals.
- Switch the tool off, allow the chain to stop and remove the battery from the tool before carrying out any adjustment, servicing or maintenance.
- Only use genuine replacement parts and accessories.
- Carry the pole pruner by the handle with the cutter blade stopped. When transporting or storing the pole pruner always fit the cutting device cover and dismantle it into its component parts. Proper handling of the pole pruner will reduce possible personal injury and injury to others.

Residual risks

Additional residual risks may arise when using the tool which may not be included in the enclosed safety warnings. These risks can arise from misuse, prolonged use etc.

Even with the application of the relevant safety regulations and the implementation of safety devices, certain residual risks can not be avoided. These include:

- Injuries caused by touching any rotating/moving parts.
- Injuries caused when changing any parts, blades or accessories.
- Injuries caused by prolonged use of a tool. When using any tool for prolonged periods ensure you take regular breaks.
- Impairment of hearing.
- Health hazards caused by breathing dust developed when using your tool (example:- working with wood, especially oak, beech and MDF.)

Vibration

The declared vibration emission values stated in the technical data and the declaration of conformity have been measured in accordance with a standard test method provided by EN 60745 and may be used for comparing one tool with another. The declared vibration emission value may also be used in a preliminary assessment of exposure.

Warning! The vibration emission value during actual use of the power tool can differ from the declared value depending on the ways in which the tool is used. The vibration level may increase above the level stated.

When assessing vibration exposure to determine safety measures required by 2002/44/EC to protect persons regularly using power tools in employment, an estimation of vibration exposure should consider, the actual conditions of use and the way the tool is used, including taking account of all parts of the operating cycle such as the times when the tool is switched off and when it is running idle in addition to the trigger time.

Pruning

Before attempting to prune a tree, ensure there are not by-laws or regulations that would prohibit or control the felling of the tree.

- Be aware of the direction a branch may fall. Consider all conditions that may affect the direction of fall, including:
 - the length and weight of the branch to be cut
 - the intended direction of fall
 - any unusual heavy limb structure or decay
 - the presence of surrounding trees and obstacles,
 - including overhead lines
 - the intertwinement with other branches
 - the speed and direction of the wind.
- Consider access to the tree limb.

Tree branches are liable to swing towards the tree trunk. In addition to the user, any bystander, building or object below the branch is at risk of being struck by the branch.

Safety of others

- This appliance is not intended for use by persons (including children) with reduced physical, sensory or mental capabilities, or lack of experience and knowledge, unless they have been given supervision or instruction concerning use of the appliance by a person responsible for their safety.
- Children should be supervised to ensure that they do not play with the appliance.

Warning symbols

The following warning symbols are found on the tool:



Warning! To reduce the risk of injury, the user must read the instruction manual.



Do not use the tool in wet conditions or expose it to rain.



Always wear head and eye protection.



Wear non-slip safety footwear.



Beware of falling objects. Keep bystanders away.



Electrocution hazard. Keep at least 10 m away from overhead lines.



To ensure continued safe operation, check the chain tension as described in this manual after every 10 minutes of use, and adjust back to a clearance of 3 mm as required. Oil the chain after every 10 minutes of use



Direction of rotation of the chain.



Warning! Do not touch chain at the chip ejection point.

Additional safety instructions for batteries and chargers

Batteries

- Never attempt to open for any reason.
- Do not expose the battery to water.
- Do not expose the battery to heat.
- Do not store in locations where the temperature may exceed 40 °C.
- Charge only at ambient temperatures between 10 °C and 40 °C.
- Charge only using the charger provided with the appliance/tool. Using the wrong charger could result in an electric shock or overheating of the battery.
- When disposing of batteries, follow the instructions given in the section "Protecting the environment".
- Do not damage/deform the battery pack either by puncture or impact, as this may create a risk of injury and fire.
- Do not charge damaged batteries.
- Under extreme conditions, battery leakage may occur. When you notice liquid on the batteries carefully wipe the liquid off using a cloth. Avoid skin contact.

- In case of skin or eye contact, follow the instructions below.

Warning! The battery fluid may cause personal injury or damage to property. In case of skin contact, immediately rinse with water. If redness, pain or irritation occurs seek medical attention. In case of eye contact, rinse immediately with clean water and seek medical attention.

Chargers

Your charger has been designed for a specific voltage. Always check that the mains voltage corresponds to the voltage on the rating plate.

Warning! Never attempt to replace the charger unit with a regular mains plug.

- Use your Black & Decker charger only to charge the battery in the appliance/tool with which it was supplied. Other batteries could burst, causing personal injury and damage.
- Never attempt to charge non-rechargeable batteries.
- If the supply cord is damaged, it must be replaced by the manufacturer or an authorised Black & Decker Service Centre in order to avoid a hazard.
- Do not expose the charger to water.
- Do not open the charger.
- Do not probe the charger.
- The appliance/tool/battery must be placed in a well ventilated area when charging.

Labels on the charger

The following symbols are found on your charger:



The charger is intended for indoor use only



Read the instruction manual before use.



The charger automatically shuts off if the ambient temperature becomes too high. As soon as the ambient temperature has cooled down, the charger will resume operating.



Charge only at ambient temperatures between 10 °C and 40 °C.

Electrical safety



Your charger is double insulated; therefore no earth wire is required. Always check that the mains voltage corresponds to the voltage on the rating plate. Never attempt to replace the charger unit with a regular mains plug.

Overview

1. On/off switch
2. Lock-off button
3. Main handle
4. Saw head
5. Sprocket cover
6. Guide bar
7. Chain
8. Chain sheath
9. Lubrication bottle
10. Extension tube
11. Battery

Fig. A

12. Charger

Assembly

Warning! Before assembly, remove the battery from the tool.

Fitting and removing the battery (fig. B)

- To fit the battery (11), line it up with the receptacle on the tool. Slide the battery into the receptacle and push until the battery snaps into place.
- To remove the battery, push the release button (13) while at the same time pulling the battery out of the receptacle.

Warning! To prevent accidental operation, ensure that the battery is removed and that the chain sheath is in place on the saw chain before performing the following operations. Failure to do this could result in serious personal injury.

Fitting the saw head (fig. C)

The saw head can be fitted directly to the handle in order to achieve standard reach.

- Align the groove on the outside of the coupling end of the handle (3) with the tongue on the inside of the coupling end of the saw head (4). Push the saw head (4) onto the handle (3).
- Slide the collar (14) down and rotate it clockwise until it is fully tightened.

Warning! Periodically check the connections to ensure that they are tightened securely.

Extending the saw head (fig. D)

The maximum reach can be achieved by fitting the extension tube (10) between the saw head (4) and the handle (3).

- Align the groove on the outside of the coupling end of the handle (3) with the tongue on the inside of the coupling end of the extension tube (10).
- Push the extension tube (10) onto the handle (3).
- Slide the collar (15) down and rotate it clockwise until it is fully tightened.
- Align the groove on the outside of the coupling end of the extension tube (10) with the tongue on the inside of the coupling end of the saw head (4).
- Push the saw head (4) onto the extension tube (10).
- Slide the collar (14) down and rotate it clockwise until it is fully tightened.

Warning! Periodically check the connections to ensure that they are tightened securely.

Removing the saw head (fig. C & D)

If the extension tube (10) is fitted, the saw head must be removed first.

- To remove the saw head (4), rest the handle (3) on the ground, loosen the collar (14) and take off the saw head.

Use

Warning! Let the tool work at its own pace. Do not overload.

Charging the battery (fig. A)

The battery needs to be charged before first use and whenever it fails to produce sufficient power on jobs that were easily done before. When charging the battery for the first time, or after prolonged storage, it will only accept an 80% charge. After several charge and discharge cycles, the battery will attain full capacity. The battery may become warm while charging; this is normal and does not indicate a problem.

Warning! Do not charge the battery at ambient temperatures below 10 °C or above 40 °C. Recommended charging temperature: approx. 24°C.

- To charge the battery (11), remove it from the tool and insert it into the charger (12). The battery will only fit into the charger in one way. Do not force. Be sure that the battery is fully seated in the charger.
- Plug in the charger.

8 hour charger

The battery will be fully charged in approx. 8 hours. It can be removed at any time or left in the connected charger indefinitely.

Switching on and off (fig. E)

For your safety, this tool is equipped with a double switching system. This system prevents starting the tool inadvertently.

Switching on

- Push the lock-off button (2) backward using your thumb and at the same time squeeze the on/off switch (1).
- Release the lock-off button (2).

Switching off

- Release the on/off switch (1).

Warning! Never attempt to lock a switch in the on position.

Pruning (fig. F)

- Make sure the tool is running at full speed before making a cut.
- Hold the tool firmly in place to avoid possible bouncing or sideways movement of the tool.
- Guide the tool through the branch using light pressure. When cutting heavy branches, where a partial cut may splinter and damage the tree, proceed as follows:
 - Make the first cut 15 cm from the tree trunk on the underside of the limb. Use the top of the guide bar (7) to make this cut.
 - Cut one third through the diameter of the limb. Then cut down from the top.

Cleaning, maintenance and storage

Your Black & Decker corded/cordless appliance/tool has been designed to operate over a long period of time with a minimum of maintenance. Continuous satisfactory operation depends upon proper tool care and regular cleaning.

Warning! Before performing any maintenance on corded/cordless power tools:

- Switch off and unplug the appliance/tool

- Or switch off and remove the battery from the appliance/tool if the appliance/tool has a separate battery pack
- Or run the battery down completely if it is integral and then switch off
- Unplug the charger before cleaning it. Your charger does not require any maintenance apart from regular cleaning.

Regularly clean the ventilation slots in you appliance/tool/charger using a soft brush or dry cloth. Regularly clean the motor housing using a damp cloth. Do not use any abrasive or solvent-based cleaner.

Regularly open the chuck and tap it to remove any dust from the interior (when fitted).

After use and before storage

- Regularly clean the ventilation slots with a clean, dry paint brush.
- To clean the tool, use only mild soap and a damp cloth. Never let any liquid get inside the tool and never immerse any part of the tool into liquid.
- Remove debris using a hard brush.
- Lubricate the chain with oil.

Installing and removing the saw chain (fig. G & H)

Warning! Always wear protective gloves when installing or removing the saw chain. The saw chain is sharp and can cut you when it is not running.

- Place the tool on a firm and stable surface.
- Loosen the screws (16) using the Allen key provided. Remove the screws.
- Remove the sprocket cover (5) and the bar clamp (17).
- Turn the screw (18) counterclockwise to allow the guide bar (6) to recede and to reduce the tension on the saw chain (7).
- Remove the old saw chain from the sprocket (19) and the guide bar (6).
- Place the new saw chain in the groove of the guide bar and around the sprocket. Make sure that the teeth are facing the correct direction by matching the arrow on the saw chain with the arrow on the housing.
- Make sure that the slot (20) in the guide bar is over the location pins (21) and that the hole (22) below the slot is located over the adjustment pin (23).
- Re-fit the sprocket cover (5) and the bar clamp (17) and the screws (16).

- Tighten the screws (16) using the Allen key provided.
- Adjust the chain tension as described below.

To ensure continued safe operation, the chain and guide bar must only be replaced with original Black & Decker parts. Replacement chain part number A6158 replacement guide bar part number 623381-00.

Checking and adjusting the chain tension (fig. G)

- Check the saw chain tension. The tension is correct when the saw chain (7) snaps back after being pulled away 3 mm from the saw chain bar with light force from the middle finger and thumb. There should be no 'sag' between the guide bar (6) and the saw chain (7) on the underside.

To adjust the tension:

- Loosen the screws (16).
- Turn the screw (18) clockwise.

Warning! Do not over-tension the chain as this will lead to excessive wear and will reduce the life of the bar and chain.

- Once the chain tension is correct, tighten the screws (18).

Warning! When the saw chain is new, check the tension frequently during the first two hours of use as a new saw chain stretches slightly.

Oiling the chain

The saw chain must be oiled before each use and after cleaning using only the correct grade of oil (cat. no. A6027).

- Oil the whole saw chain (7) evenly using the applicator (9).

Storage

When the tool will not be used for several months, ideally leave the battery connected to the charger.

Otherwise proceed as follows:

- Fully charge the battery.
- Remove the battery from the tool.
- Store the tool and battery in a secure and dry location.
- The storage temperature must always remain in the range of +10 °C to +40 °C. Place the battery on a level surface.
- Before using the tool after prolonged storage, fully charge the battery again.

Protecting the environment



Separate collection. This product must not be disposed of with normal household waste.

Should you find one day that your Black & Decker product needs replacement, or if it is of no further use to you, do not dispose of it with household waste. Make this product available for separate collection.



Separate collection of used products and packaging allows materials to be recycled and used again. Reuse of recycled materials helps prevent environmental pollution and reduces the demand for raw materials.

Local regulations may provide for separate collection of electrical products from the household, at municipal waste sites or by the retailer when you purchase a new product.

Black & Decker provides a facility for the collection and recycling of Black & Decker products once they have reached the end of their working life. To take advantage of this service please return your product to any authorised repair agent who will collect them on our behalf.

You can check the location of your nearest authorised repair agent by contacting your local Black & Decker office at the address indicated in this manual. Alternatively, a list of authorised Black & Decker repair agents and full details of our after-sales service and contacts are available on the Internet at:

www.2helpU.com

Batteries



At the end of their useful life, discard batteries with due care for our environment

- Do not short-circuit the battery terminals.
- Do not dispose of the battery(s) in a fire as this may result in a risk of personal injury or an Explosion.
- Run the battery down completely, then remove it from the tool.
- Batteries are recyclable. Place the battery(s) in a suitable packaging to ensure that the terminals cannot be short-circuited. Take them to any authorised repair agent or a local recycling station.

Technical data

		GPC1800 (H2) GPC1800P (H2)
Voltage	V _{DC}	18
No-load chain speed	m/min	114
Weight	Kg	3.5
Max. Cutting Length	cm	17

Battery		A18	A1718
Voltage	V _{DC}	18	18
Capacity	Ah	1.5	1.7
Type		NiCd	NiCd

Charger		9050084*
Input Voltage	V _{AC}	230 - 240V
Output Voltage	V _{DC}	21.75
Current	mA	210
Approx. charge time	h	8

Level of sound power according to
EN ISO 3744: LWA = 98 dB(A),
uncertainty (K) = 3 dB(A)

Level of sound pressure according to
EN ISO 11203: LPA = 78 dB(A),
uncertainty (K) = 3 dB(A)

Vibration total values (triax vector sum) determined according to EN 60745		
Cutting wood	Vibration emission value ah=	<2.5 m/s ²
	Uncertainty K=	<1.5 m/s ²

EC - Declaration of Conformity

MACHINERY DIRECTIVE



GPC1800, GPC1800P

Black & Decker declares that these products described under "technical data" are in compliance with:

2006/42/EC EN60745-1,

These products also comply with Directive 2004/108/EC. For more information, please contact Black & Decker at the following address or refer to the back of the manual.

The undersigned is responsible for compilation of the technical file and makes this declaration on behalf of Black & Decker.

Kevin Hewitt
Vice-President Global Engineering
Black & Decker Europe, 210 Bath Road, Slough,
Berkshire, SL1 3YD
United Kingdom
12/04/2012

Guarantee

Black & Decker is confident of the quality of its products and offers an outstanding guarantee. This guarantee statement is in addition to and in no way prejudices your statutory rights.

The guarantee is valid within the territories of the Member States of the European Union and the European Free Trade Area.

If a Black & Decker product becomes defective due to faulty materials, workmanship or lack of conformity, within 24 months from the date of purchase, Black & Decker guarantees to replace defective parts, repair products subjected to fair wear and tear or replace such products to ensure minimum inconvenience to the customer unless:

- The product has been used for trade, professional or hire purposes;
- The product has been subjected to misuse or neglect;
- The product has sustained damage through foreign objects, substances or accidents;
- Repairs have been attempted by persons other than authorised repair agents or Black & Decker service staff.

To claim on the guarantee, you will need to submit proof of purchase to the seller or an authorised repair agent. You can check the location of your nearest authorised repair agent by contacting your local Black & Decker office at the address indicated in this manual. Alternatively, a list of authorised Black & Decker repair agents and full details of our after-sales service and contacts are available on the Internet at:

www.2helpU.com

Please visit our web site www.blackanddecker.co.uk to register your new Black & Decker product and to be kept up to date on new products and special offers. Further information on the Black & Decker brand and our range of products is available at:

www.blackanddecker.co.uk

Bestimmungsgemäße Verwendung

Ihre kabellose Black & Decker Akku-Astsäge wurde für das Beschneiden von Bäumen entwickelt. Dieses Gerät ist nicht für den gewerblichen Einsatz bestimmt.

Ihr Black & Decker Ladegerät dient zum Laden von Black & Decker Akkus des Typs, der im Lieferumfang dieses Geräts enthalten ist.

Sicherheitshinweise

Allgemeine Sicherheitswarnungen für das Gerät



Achtung! Lesen Sie alle Sicherheitshinweise und alle Anweisungen. Die Nichteinhaltung der nachstehend aufgeführten Warnhinweise und Anweisungen kann einen elektrischen Schlag, Brand und/oder schwere Verletzungen verursachen.

Bewahren Sie alle Sicherheitswarnungen und Anweisungen gut auf.

Der nachfolgend verwendete Begriff "Gerät" bezieht sich auf netzbetriebene Geräte (mit Netzkabel) und auf akkubetriebene Geräte (ohne Netzkabel).

Sicherheit im Arbeitsbereich

- **Sorgen Sie für einen sauberen und gut ausgeleuchteten Arbeitsbereich.** Unordnung oder dunkle Arbeitsbereiche können zu Unfällen führen.
- **Verwenden Sie die Geräte nicht in Umgebungen, in denen Explosionsgefahr z. B. aufgrund von brennbaren Flüssigkeiten, Gasen oder Staub besteht.** Geräte erzeugen Funken, die den Staub oder die Dämpfe entzünden können.
- **Halten Sie Kinder und andere Personen während der Benutzung eines Geräts fern.** Bei Ablenkung können Sie die Kontrolle verlieren.

Elektrische Sicherheit

- **Der Netzstecker des Geräts muss in die Steckdose passen. Der Stecker darf in keiner Weise verändert werden. Verwenden Sie für schutzgeerdete Geräte keine Adapterstecker.** Unveränderte Stecker und passende Steckdosen verringern das Risiko eines elektrischen Schlags.

- **Vermeiden Sie Körperkontakt mit geerdeten Oberflächen von Rohren, Heizungen, Herden und Kühlschränken.** Es besteht ein erhöhtes Risiko eines elektrischen Schlags, wenn Ihr Körper geerdet ist.
- **Halten Sie Geräte von Regen und Feuchtigkeit fern.** Das Eindringen von Wasser in ein Gerät erhöht das Risiko eines elektrischen Schlags.
- **Verwenden Sie das Kabel ordnungsgemäß. Verwenden Sie es niemals zum Tragen. Trennen Sie das Gerät nicht durch Ziehen am Kabel vom Netz.** Halten Sie das Kabel fern von Hitze, Öl, scharfen Kanten oder sich bewegenden Teilen. Beschädigte oder verwickelte Kabel erhöhen das Risiko eines elektrischen Schlags.
- **Verwenden Sie nur für den Außenbereich zugelassene Verlängerungskabel, wenn Sie mit dem Gerät im Freien arbeiten.** Die Verwendung eines für den Außenbereich geeigneten Verlängerungskabels verringert das Risiko eines elektrischen Schlags.
- **Wenn das Gerät in einer feuchten Umgebung verwendet werden muss, schließen Sie es unbedingt an eine Steckdose mit Fehlerstromschutzschalter (RCD).** Die Verwendung eines Fehlerstromschutzschalters verringert das Risiko eines elektrischen Schlags.

Sicherheit von Personen

- **Verwenden Sie das Gerät aufmerksam und vernünftig. Benutzen Sie das Gerät nicht, wenn Sie müde sind oder unter dem Einfluss von Drogen, Alkohol oder Medikamenten stehen.** Ein Moment der Unachtsamkeit beim Gebrauch von Geräten kann zu ernsthaften Verletzungen führen.
- **Verwenden Sie eine geeignete Schutzausrüstung. Tragen Sie stets eine Schutzbrille.** Schutzausrüstung wie Staubmaske, rutschfeste Sicherheitsschuhe, Schutzhelm oder Gehörschutz, je nach Art und Einsatz des Geräts, verringert das Risiko von Verletzungen.
- **Vermeiden Sie eine unbeabsichtigte Inbetriebnahme. Vergewissern Sie sich, dass das Gerät ausgeschaltet ist, bevor Sie es an eine Steckdose oder einen Akku anschließen, es hochheben oder tragen.** Durch das Tragen des Geräts mit dem Finger am Schalter oder durch das Anschließen eingeschalteter Geräte werden Unfälle provoziert.

- **Entfernen Sie Einstell- oder Schraubenschlüssel, bevor Sie das Gerät einschalten.** Ein Schlüssel in einem sich drehenden Teil kann zu Verletzungen führen.
- **Beugen Sie sich nicht zu weit nach vorne über. Achten Sie auf einen sicheren Stand, um in jeder Arbeitsposition das Gleichgewicht zu halten.** Dadurch können Sie das Gerät in unerwarteten Situationen besser unter Kontrolle halten.
- **Tragen Sie geeignete Kleidung. Tragen Sie keine weite Kleidung oder Schmuck. Halten Sie Haare, Kleidung und Handschuhe fern von sich bewegenden Teilen.** Lockere Kleidung, Schmuck oder lange Haare können von sich bewegenden Teilen erfasst werden.
- **Falls Staubabsaug- und -fangvorrichtungen vorhanden sind, vergewissern Sie sich, dass diese angeschlossen sind und richtig verwendet werden.** Das Verwenden einer Staubauffangvorrichtung verringert Gefährdungen durch Staub.
- **Halten Sie Geräte in einem einwandfreien Zustand. Kontrollieren Sie, ob bewegliche Teile falsch ausgerichtet sind oder klemmen und ob Teile gebrochen oder so beschädigt sind, dass die Funktion des Geräts beeinträchtigt ist.** Lassen Sie beschädigte Geräte vor dem Gebrauch reparieren. Viele Unfälle haben ihre Ursache in schlecht gewarteten Geräten.
- **Halten Sie Schneidwerkzeuge scharf und sauber.** Sorgfältig gepflegte Schneidwerkzeuge mit scharfen Schneidkanten verkleben sich seltener und sind leichter zu führen.
- **Verwenden Sie Gerät, Zubehör, Einsätze usw. entsprechend diesen Anweisungen, und berücksichtigen Sie dabei die Arbeitsbedingungen und die auszuführende Arbeit.** Der Gebrauch von Geräten für andere als die vorgesehenen Anwendungen kann zu gefährlichen Situationen führen.

Gebrauch und Pflege von batteriebetriebenen Geräten

Gebrauch und Pflege von Geräten

- **Überlasten Sie das Gerät nicht. Verwenden Sie das für Ihre Arbeit passende Gerät.** Durch das Arbeiten in dem für das Gerät angegebenen Leistungsbereich erzielen Sie nicht nur optimale Ergebnisse, Sie erhöhen auch die Sicherheit.
- **Verwenden Sie das Gerät nicht, wenn der Ein-/Ausschalter nicht funktioniert.** Ein Gerät, das sich nicht mehr ein- oder ausschalten lässt, ist gefährlich und muss repariert werden.
- **Ziehen Sie den Stecker aus der Steckdose, und/oder trennen Sie das Gerät vom Akku, bevor Sie Einstellungen vornehmen, Zubehörteile wechseln oder das Gerät lagern.** Diese Vorsichtsmaßnahme verhindert den unbeabsichtigten Start des Geräts.
- **Bewahren Sie unbenutzte Geräte außerhalb der Reichweite von Kindern auf. Lassen Sie Geräte nicht von Personen benutzen, die damit nicht vertraut sind oder diese Anweisungen nicht gelesen haben.** Geräte sind gefährlich, wenn sie von unerfahrenen Personen benutzt werden.
- **Laden Sie den Akku nur mit dem vom Hersteller vorgesehenen Ladegerät auf.** Die Verwendung von Ladegeräten, die für eine andere Art von Akku bestimmt sind, kann dazu führen, dass sich der Akku beim Laden entzündet.
- **Verwenden Sie nur die für das jeweilige Gerät vorgesehenen Akkus.** Die Verwendung anderer Akkus kann zu Verletzungen oder Bränden führen.
- **Bewahren Sie den Akku bei Nichtbenutzung nicht in der Nähe metallischer Objekte wie Büroklammern, Münzen, Schlüsseln, Nägeln oder Schrauben auf, da diese eine Verbindung zwischen beiden Polen des Akkus herstellen können.** Durch den dadurch entstehenden Kurzschluss kann der Akku in Brand geraten.
- **Durch unsachgemäßen Gebrauch können Flüssigkeiten aus dem Akku austreten. Berühren Sie diese nicht! Sollten Sie dennoch unbeabsichtigt mit diesen in Berührung kommen, waschen Sie die betroffenen Stellen sofort mit reichlich Wasser ab.** Suchen Sie sofort einen Arzt auf, wenn die Flüssigkeit in Kontakt mit Ihren Augen gekommen ist. Flüssigkeiten aus Akkus können Hautreizungen oder Verbrennungen hervorrufen.

Service

- **Lassen Sie das Gerät nur von qualifiziertem Fachpersonal und nur mit Originalersatzteilen reparieren. So wird gewährleistet, dass die Sicherheit des Geräts erhalten bleibt.**

Zusätzliche Sicherheitshinweise für Astsägen

Der vorgesehene Verwendungszweck ist in dieser Anleitung beschrieben. Verwenden Sie das Gerät nicht zweckentfremdet, z. B. zum Fällen von Bäumen. Bei Verwendung von Zubehör oder Anbauteilen, die nicht in dieser Anleitung empfohlen sind, sowie bei der Bedienung des Geräts in Abweichung von den in dieser Anleitung beschriebenen Verfahren besteht Verletzungsgefahr.

- Tragen Sie eng anliegende Schutzkleidung, inklusive eines Schutzhelms mit Schirm/ Schutzbrille, Gehörschutz, rutschfestes, sicheres Schuhwerk, Schutzlatzhosen und feste Lederhandschuhe.
- Stellen Sie sich immer so auf, dass Sie nicht von herabfallenden Ästen getroffen werden können.
- Der Sicherheitsabstand zwischen dem zu schneidenden Ast und Zuschauern, Gebäuden und anderen Gegenständen beträgt mindestens das 2,5-fache der Astlänge. Für Gegenstände, Gebäude und Zuschauer innerhalb dieses Abstandsbereichs besteht die Gefahr, von dem herabfallenden Ast getroffen zu werden.
- Planen Sie einen sicheren Fluchtweg vor fallenden Bäumen oder Ästen. Achten Sie darauf, dass der Fluchtweg frei von Hindernissen ist, die Ihre Bewegungsfreiheit stören könnten. Berücksichtigen Sie, dass feuchtes Gras und frisch geschnittene Baumrinde rutschig sind.
- Stellen Sie sicher, dass sich für den Fall eines Unfalls jemand in der Nähe befindet (jedoch in ausreichendem Sicherheitsabstand).
- Verwenden Sie die Säge nicht, wenn Sie sich auf einem Baum, auf einer Leiter oder auf einer anderen instabilen Fläche befinden.
- Achten Sie auf einen sicheren Stand, um in jeder Arbeitsposition das Gleichgewicht zu halten.
- Halten Sie das Gerät fest mit beiden Händen, während der Motor läuft.
- Bei laufender Kette darf die Spitze des Führungsschwerts nicht mit einem Gegenstand in Kontakt kommen.
- Zu Beginn des Schnitts muss die Kette immer mit voller Geschwindigkeit laufen.

- Versuchen Sie nicht, die Säge in einen vorhandenen Schnittpalt einzuführen. Führen Sie stets einen neuen Schnitt durch.
- Achten Sie auf die Bewegung des geschnittenen Astes und auf andere Kräfte, die dazu führen könnten, dass sich der Schnittpalt schließt und die Kette einklemmt oder dass Holz in die laufende Kette fällt.
- Versuchen Sie nicht, einen Ast zu schneiden, dessen Durchmesser die Schnittlänge der Kettensäge überschreitet.
- Entfernen Sie immer den Akku vom Gerät, und bringen Sie die Kettenabdeckung an, wenn das Gerät aufbewahrt oder transportiert werden soll.
- Halten Sie die Kette scharf und richtig gespannt. Überprüfen Sie die Spannung regelmäßig.
- Schalten Sie das Gerät vor Anpassungen oder Wartungsarbeiten aus, warten Sie, bis die Kette zum Stillstand gekommen ist, und entfernen Sie den Akku.
- Verwenden Sie nur Originalersatzteile und Zubehör.
- Tragen Sie die Astsäge stets mit angehaltenen Messern am Griff. Die Astsäge muss für Transport und Lagerung immer mit der Messerabdeckung versehen und in ihre Bestandteile zerlegt werden. Der sachgemäße Umgang mit der Astsäge verringert das Risiko, sich selbst oder andere zu verletzen.

Restrisiken

Für den Gebrauch dieses Geräts verbleiben zusätzliche Restrisiken, die möglicherweise nicht in den Sicherheitswarnungen genannt werden. Diese Risiken bestehen beispielsweise bei Missbrauch oder längerem Gebrauch.

Auch bei der Einhaltung der entsprechenden Sicherheitsvorschriften und der Verwendung aller Sicherheitsgeräte bestehen weiterhin bestimmte Restrisiken. Diese werden im Folgenden aufgeführt:

- Das Berühren von sich drehenden/bewegenden Teilen kann Verletzungen zur Folge haben.
- Der Austausch von Teilen, Messern oder Zubehör kann Verletzungen zur Folge haben.
- Der längere Gebrauch eines Geräts kann Verletzungen zur Folge haben. Legen Sie bei längerem Gebrauch regelmäßige Pausen ein.
- Beeinträchtigung des Gehörs.
- Gesundheitsrisiken durch das Einatmen von Staub beim Gebrauch des Geräts (Beispielsweise bei Holzarbeiten, insbesondere Eiche, Buche und Pressspan).

Vibration

Die in den Abschnitten "Technische Daten" und "EU-Konformitätserklärung" angegebenen Werte für die Vibrationsemission wurden mit einer Standard-Prüfmethode nach EN 60745 ermittelt und können zum Vergleich verschiedener Geräte herangezogen werden. Außerdem kann mit Hilfe dieses Werts die Belastung bei Verwendung des Geräts schon im Voraus eingeschätzt werden.

Achtung! Die bei Verwendung des Geräts auftretende Vibrationsemission hängt von der Art des Gerätegebrauchs ab und kann dementsprechend von dem angegebenen Wert abweichen. Gegebenenfalls kann die Vibration über dem angegebenen Wert liegen.

Mithilfe der ermittelten Werte der Vibrationsbelastung durch Elektrogeräte lassen sich Sicherheitsmaßnahmen festlegen, die gemäß 2002/44/EG zum Schutz von Personen bestimmt sind, die diese Geräte regelmäßig bei der Arbeit verwenden. Bei der Einschätzung der Vibrationsbelastung sollten die Gebrauchsumstände und die Art der Verwendung des Geräts sowie alle Schritte des Arbeitszyklus berücksichtigt werden, wozu Ruhe-, Leerlauf- und Startzeiten gehören.

Äste schneiden

Vergewissern Sie sich vor dem Beschneiden eines Baumes, dass das Fällen des Baums nicht durch Verordnungen oder Gesetze eingeschränkt oder untersagt wird.

- Schätzen Sie die Richtung ab, in die ein Ast fallen kann. Berücksichtigen Sie dabei alle Faktoren, die die Fallrichtung beeinflussen können:
 - die Länge und das Gewicht des zu schneidenden Asts
 - die gewünschte Fallrichtung
 - Morschheit oder außergewöhnlich schwere Holzstruktur
 - Bäume und Hindernisse in der Umgebung, z. B. frei verlegte Stromleitungen
 - die Verflechtung mit anderen Ästen
 - Windgeschwindigkeit und Windrichtung
- Achten Sie auf einen guten Zugang zum Ast.

Äste haben die Tendenz, zum Baumstamm zu schwingen. Neben dem Bediener der Kettensäge besteht für alle Zuschauer, Gebäude und Gegenstände unterhalb des Astes die Gefahr, von dem herabfallenden Ast getroffen zu werden.

Sicherheit anderer Personen

- Dieses Gerät darf nicht von Personen (einschließlich Kindern) mit eingeschränkten körperlichen, sensorischen oder geistigen Fähigkeiten sowie mangelnder Erfahrung und Wissen in Bezug auf dessen Gebrauch bedient werden, es sei denn, sie werden bei der Verwendung des Geräts von einer für die Sicherheit verantwortlichen Person beaufsichtigt oder angeleitet.
- Kinder müssen beaufsichtigt werden, um sicherzustellen, dass sie nicht mit dem Gerät spielen.

Warnsymbole

Am Gerät sind die folgenden Warnsymbole angebracht:



Achtung! Lesen Sie vor Gebrauch die Anleitung. Andernfalls besteht Verletzungsgefahr.



Verwenden Sie das Gerät nicht in feuchten Umgebungen, und schützen Sie es vor Regen.



Tragen Sie stets einen Kopf- und Augenschutz.



Tragen Sie rutschfestes, sicheres Schuhwerk.



Achten Sie auf herabfallende Gegenstände. Halten Sie Zuschauer aus dem Gefahrenbereich fern.



Stromschlaggefahr. Halten Sie einen Abstand von mindestens 10 m zu frei verlegten Stromleitungen ein.



Um ein kontinuierlich sicheres Arbeiten zu gewährleisten, kontrollieren Sie die Kettenspannung wie in diesem Handbuch beschrieben nach jeweils 10 Minuten Betrieb der Kettensäge. Stellen Sie die Kettenspannschraube ggf. wieder auf die vorgeschriebenen 3 mm Spiel ein. Ölen Sie die Kette nach jeweils 10 Minuten Betrieb.



Drehrichtung der Kette.



Achtung! Greifen Sie nicht am Spanauswurf in die Kette.

Zusätzliche Sicherheitshinweise für Akku und Ladegeräte

Akkus

- Auf keinen Fall öffnen.
- Achten Sie darauf, dass der Akku nicht mit Wasser in Berührung kommt.
- Setzen Sie den Akku keinen hohen Temperaturen aus.
- Nicht bei Temperaturen über 40 °C lagern.
- Laden Sie den Akku nur bei Umgebungstemperaturen von 10 °C bis 40 °C.
- Verwenden Sie ausschließlich das mit dem Gerät gelieferte Ladegerät. Das Verwenden des falschen Ladegeräts kann zu einem Stromschlag oder dem Überhitzen des Akkus führen.
- Beachten Sie bei der Entsorgung von Batterien und Akkus die Hinweise im Abschnitt "Umweltschutz".
- Der Akku darf nicht durch mechanische Krafteinwirkung oder Belastungen beschädigt oder verformt werden. Andernfalls besteht Verletzungs- und Brandgefahr. Laden Sie keine beschädigten Akkus.
- Unter extremen Bedingungen können Akkus undicht werden. Wenn Sie feststellen, dass aus dem Akku Flüssigkeit austritt, wischen Sie diese vorsichtig mit einem Tuch ab. Vermeiden Sie Hautkontakt.
- Beachten Sie nach Haut- oder Augenkontakt die folgenden Hinweise.

Achtung! Batteriesäure kann Sach- oder Personenschäden verursachen. Spülen Sie die Säure nach Hautkontakt sofort mit Wasser ab. Suchen Sie einen Arzt auf, wenn sich auf der Haut Rötungen, Reizungen oder andere Irritationen zeigen. Spülen Sie das Auge nach Augenkontakt sofort mit sauberem Wasser aus, und suchen Sie einen Arzt auf.

Ladegeräte

Das Ladegerät ist für eine bestimmte Spannung ausgelegt. Stellen Sie sicher, dass die Netzspannung der auf dem Typenschild des Geräts angegebenen Spannung entspricht.

Achtung! Ersetzen Sie das Ladegerät keinesfalls durch ein normales Netzkabel.

- Verwenden Sie das Black & Decker Ladegerät nur für den Akku des Geräts, mit dem es geliefert wurde. Andere Akkus könnten platzen und Sachschäden oder Verletzungen verursachen.

- Versuchen Sie keinesfalls, nicht aufladbare Batterien zu laden.
- Ist das Netzkabel beschädigt, muss es durch den Hersteller oder eine Black & Decker Vertragswerkstatt ausgetauscht werden, um eine mögliche Gefährdung zu vermeiden.
- Achten Sie darauf, dass das Ladegerät nicht mit Wasser in Berührung kommt.
- Versuchen Sie nicht, das Ladegerät zu öffnen.
- Nehmen Sie am Ladegerät keine Veränderungen vor.
- Während das Gerät/der Akku geladen wird, muss auf ausreichende Belüftung geachtet werden.

Warnsymbole auf dem Ladegerät

Am Ladegerät sind die folgenden Symbole angebracht:



Das Ladegerät darf nur im Innenbereich verwendet werden.



Vor Gebrauch die Anleitung lesen



Bei extrem hohen Umgebungstemperaturen schaltet sich das Ladegerät automatisch ab. Sobald die Raumtemperatur sinkt, nimmt das Ladegerät den Betrieb wieder auf.



Laden Sie den Akku nur bei Umgebungstemperaturen von 10 °C bis 40 °C.

Elektrische Sicherheit

Das Ladegerät ist schutzisoliert, daher ist keine Erdleitung erforderlich. Stellen Sie sicher, dass die Netzspannung der auf dem Typenschild des Geräts angegebenen Spannung entspricht. Ersetzen Sie das Ladegerät keinesfalls durch ein normales Netzkabel.



Überblick

1. Ein-/Ausschalter
2. Einschaltsperr
3. Hauptgriff
4. Sägekopf
5. Kettenradabdeckung
6. Führungsschwert
7. Kette
8. Kettenschutz
9. Schmiermittelflasche
10. Verlängerungsrohr

11. Akku

Abb. A

12. Ladegerät

Montage

Achtung! Entfernen Sie vor der Montage den Akku aus dem Gerät.

Einsetzen und Entfernen des Akkus (Abb. B)

- Um den Akku (11) einzusetzen, richten Sie ihn an der Aufnahme am Gerät aus. Schieben Sie den Akku in die Aufnahme, bis er in der richtigen Position einrastet.
- Um den Akku zu entfernen, drücken Sie die Entriegelungstaste (13), und ziehen Sie gleichzeitig den Akku aus der Aufnahme.

Achtung! Um unbeabsichtigten Betrieb zu vermeiden, stellen Sie vor Ausführung der folgenden Schritte sicher, dass der Akku entfernt wurde und der Kettenschutz korrekt auf der Kette sitzt. Eine Nichtbeachtung kann zu ernsthaften Verletzungen führen.

Anbringen des Sägekopfes (Abb. C)

Der Sägekopf kann direkt am Griff angebracht werden, um die Standardreichweite zu erhalten.

- Richten Sie die Nut in der Außenseite des Griff-Verbindungsstücks (3) an der Feder auf der Innenseite des Sägekopf-Verbindungsstücks (4) aus. Drücken Sie den Sägekopf (4) auf den Griff (3).
- Schieben Sie den Verschluss (14) nach unten, und drehen Sie ihn im Uhrzeigersinn, bis er ganz fest sitzt.

Achtung! Überprüfen Sie die Verbindungen in regelmäßigen Abständen, um sicherzustellen, dass sie sicher und fest sitzen.

Erweitern des Sägekopfes (Abb. D)

Die maximale Reichweite erhalten Sie, indem Sie das Verlängerungsrohr (10) zwischen dem Sägekopf (4) und dem Griff (3) anbringen.

- Richten Sie die Nut in der Außenseite des Griff-Verbindungsstücks (3) an der Feder auf der Innenseite des Verlängerungsrohr-Verbindungsstücks (10) aus.
- Drücken Sie das Verlängerungsrohr (10) auf den Griff (3).
- Schieben Sie den Verschluss (15) nach unten, und drehen Sie ihn im Uhrzeigersinn, bis er ganz fest sitzt.

- Richten Sie die Nut in der Außenseite des Verlängerungsrohr-Verbindungsstücks (10) an der Feder auf der Innenseite des Sägekopf-Verbindungsstücks (4) aus.
- Drücken Sie den Sägekopf (4) auf das Verlängerungsrohr (10).
- Schieben Sie den Verschluss (14) nach unten, und drehen Sie ihn im Uhrzeigersinn, bis er ganz fest sitzt.

Achtung! Überprüfen Sie die Verbindungen in regelmäßigen Abständen, um sicherzustellen, dass sie sicher und fest sitzen.

Entfernen des Sägekopfes (Abb. C und D)

Wenn das Verlängerungsrohr (10) angebracht ist, muss zunächst der Sägekopf entfernt werden.

- Um den Sägekopf(4) zu entfernen, legen Sie den Griff (3) auf dem Boden ab, lösen Sie den Verschluss (14), und nehmen Sie den Sägekopf ab.

Gebrauch

Achtung! Beschleunigen Sie den Arbeitsvorgang nicht mit Gewalt. Vermeiden Sie eine Überlastung des Geräts.

Laden der Batterie (Abb. A)

Der Akku muss vor erstmaliger Benutzung und immer dann aufgeladen werden, wenn das Gerät nicht mehr die volle Leistung bringt. Beim ersten Aufladen des Akkus und nach langer Lagerzeit wird der Akku nur eine Kapazität von 80 % erreichen.

Die volle Kapazität wird erst nach einigen Ladezyklen erreicht werden. Während des Ladevorgangs kann der Akku warm werden. Das ist normal.

Achtung! Laden Sie den Akku nicht, wenn die Umgebungstemperatur unter 10 °C oder über 40 °C liegt. Empfohlene Ladetemperatur: etwa 24 °C.

- Um den Akku (11) aufzuladen, entfernen Sie ihn aus dem Gerät, und stecken Sie ihn in das Ladegerät (12). Der Akku kann nur in einer Richtung in das Ladegerät gesteckt werden. Gehen Sie nicht mit Gewalt vor. Vergewissern Sie sich, dass der Akku ordnungsgemäß im Ladegerät steckt.
- Schließen Sie das Ladegerät an eine Netzsteckdose an.

8-Stunden-Ladegerät

Der Akku wird in etwa 8 Stunden vollständig aufgeladen. Er kann jederzeit entfernt werden, oder auch unbegrenzt im Ladegerät verbleiben.

Ein- und Ausschalten (Abb. E)

Das Gerät ist zu Ihrer Sicherheit mit einer Zweihandbetätigung ausgestattet. Diese verhindert das versehentliche Einschalten.

Einschalten

- Drücken Sie die Einschaltsperrleiste (2) mit dem Daumen nach hinten, und drücken Sie gleichzeitig den Ein-/Ausschalter (1).
- Lassen Sie die Einschaltsperrleiste (2) los.

Ausschalten

- Lassen Sie den Ein-/Ausschalter (1) los.

Achtung! Versuchen Sie niemals, einen Schalter in seiner Einschaltstellung zu arretieren.

Äste schneiden (Abb. F)

- Vergewissern Sie sich, dass das Gerät seine volle Geschwindigkeit erreicht hat, bevor Sie die Kette ansetzen.
- Halten Sie das Gerät fest in seiner Position, um Rückschlag- und Seitwärtsbewegungen des Gerätes zu verhindern.
- Führen Sie das Gerät mit leichtem Druck durch den Ast. Wenn Sie schwere Äste schneiden, kann der Baum durch Teilschnitte splintern oder beschädigt werden. Gehen Sie folgendermaßen vor:

-Setzen Sie den ersten Schnitt 15 cm vom Baumstamm entfernt auf der Unterseite des Asts an. Verwenden Sie für diesen Schnitt die Oberseite des Führungsschwerts (7).

-Schneiden Sie durch ein Drittel des Astdurchmessers. Schneiden Sie dann von oben nach unten.

Reinigung, Wartung und Lagerung

Ihr Black & Decker Gerät (mit und ohne Netzkabel) wurde im Hinblick auf eine lange Lebensdauer und einen möglichst geringen Wartungsaufwand entwickelt.

Ein dauerhafter, einwandfreier Betrieb setzt eine regelmäßige Pflege und Reinigung voraus.

Achtung! Vor dem Ausführen jeglicher Wartungsarbeiten an Geräten mit und ohne Netzkabel:

- Schalten Sie das Gerät aus, und ziehen Sie den Netzstecker.
- Wenn das Gerät über einen separaten Akku verfügt, schalten Sie den Akku ab, und entfernen Sie ihn vom Gerät.
- Wenn der Akku integriert ist, entladen Sie ihn vollständig, und schalten Sie dann ab.
- Ziehen Sie das Ladegerät aus der Netzsteckdose, bevor Sie es reinigen. Das Ladegerät benötigt keine Wartung, es sollte aber regelmäßig gereinigt werden.

Reinigen Sie regelmäßig die Lüftungsschlitze des Geräts und des Ladegeräts mit einer weichen Bürste oder einem trockenen Tuch.

Reinigen Sie das Motorgehäuse regelmäßig mit einem feuchten Tuch. Verwenden Sie keine scheuernden Reinigungsmittel oder Reinigungsmittel auf Lösungsmittelbasis.

Öffnen Sie regelmäßig das Spannfutter, und entfernen Sie durch Klopfen ggf. Staub aus dem Inneren des Geräts.

Nach dem Gebrauch und vor der Aufbewahrung

- Reinigen Sie die Lüftungsschlitze regelmäßig mit einem sauberen, trockenen Pinsel.
- Reinigen Sie das Gerät ausschließlich mit milder Seifenlösung und einem angefeuchteten Tuch. Achten Sie darauf, dass keine Flüssigkeit in das Gerät gelangt. Tauchen Sie kein Teil des Geräts in Flüssigkeit ein.
- Entfernen Sie Schmutzablagerungen mit einer Hartbürste.
- Schmierien Sie die Kette mit Öl.

Einsetzen und Entfernen der Sägekette (Abb. G und H)

Achtung! Tragen Sie beim Aufziehen und Abnehmen der Sägekette immer eine Schutzbrille. Die Sägekette ist scharf und kann auch in ruhendem Zustand zu Schnittverletzungen führen.

- Legen Sie das Gerät auf eine sehr stabile Unterlage.
- Lösen Sie die Schrauben (16) mit dem mitgelieferten Sechskantschlüssel. Entfernen Sie die Schrauben.
- Entfernen Sie die Kettenradabdeckung (5) und die Schwertklemme (17).
- Drehen Sie die Schraube (18) gegen den Uhrzeigersinn, um das Führungsschwert (6) zurückzuführen und die Spannung der Sägekette (7) zu vermindern.

- Nehmen Sie die alte Sägekette vom Kettenrad (19) und dem Führungsschwert (6).
- Legen Sie die neue Kette in die Nut des Führungsschwerts und um das Kettenrad. Stellen Sie sicher, dass die Zähne in die richtige Richtung weisen, indem Sie die Pfeile auf der Kette und auf dem Gehäuse aneinander ausrichten.
- Stellen Sie sicher, dass sich die Aussparung (20) im Führungsschwert über den Arretierstiften (21) und das Loch (22) unter der Aussparung über dem Justierstift (23) befindet.
- Bringen Sie die Kettenabdeckung (5), die Schwertklemme (17) und die Schrauben (16) wieder an.
- Ziehen Sie die Schrauben (16) mit dem mitgelieferten Sechskantschlüssel fest.
- Stellen Sie die Kettenspannung wie nachfolgend beschrieben ein.

Um ein kontinuierlich sicheres Arbeiten zu gewährleisten, dürfen Kette und Führungsschwert ausschließlich durch Originalersatzteile von Black & Decker ersetzt werden. Teilenummer der Ersatzkette: A6158, Teilenummer des Ersatzführungsschwerts: 623381-00.

Prüfen und Einstellen der Kettenspannung (Abb. G)

- Überprüfen Sie die Spannung der Kette. Die Kette (7) ist richtig gespannt, wenn sie sich mit wenig Kraftaufwand mit Mittelfinger und Daumen ca. 3 mm vom Führungsschwert abheben lässt. Die Kette (7) muss ohne durchzuhängen an der Unterseite des Führungsschwerts (6) anliegen.

So stellen Sie die Spannung ein:

- Lösen Sie die Schrauben (16).
- Drehen Sie die Schraube (18) im Uhrzeigersinn.

Achtung! Überspannen Sie die Kette nicht. Dies würde den Verschleiß erhöhen und die Lebensdauer von Kette und Führungsschwert verkürzen.

- Ziehen Sie die Schrauben (18) an, sobald die Spannung richtig eingestellt ist.

Achtung! Prüfen Sie die Spannung bei einer neuen Sägekette während der ersten zwei Betriebsstunden häufig, da sich eine neue Kette etwas dehnt.

Ölen der Kette

Die Sägekette muss vor jedem Gebrauch und nach der Reinigung geölt werden. Verwenden Sie hierfür nur die richtige Ölsorte (Katalognr. A6027).

- Ölen Sie die Kette (7) gleichmäßig mithilfe des Applikators (9).

Aufbewahrung

Wenn das Gerät für mehrere Monate nicht benutzt wird, sollte der Akku am besten im Ladegerät verbleiben.

Gehen Sie anderenfalls wie folgt vor:

- Laden Sie den Akku vollständig auf.
- Entfernen Sie den Akku aus dem Gerät.
- Bewahren Sie das Gerät und den Akku an einem sicheren und trockenen Ort auf.
- Die Temperatur am Aufbewahrungsort muss immer im Bereich von +10°C bis +40°C liegen. Legen Sie den Akku auf einem waagerechten Untergrund ab.
- Nach langer Lagerzeit sollte vor der Verwendung des Geräts der Akku voll aufgeladen werden.

Umweltschutz



Getrennte Entsorgung. Dieses Produkt darf keinesfalls mit dem Hausmüll entsorgt werden.

Sollten Sie Ihr Black & Decker Produkt eines Tages ersetzen oder nicht mehr benötigen, entsorgen Sie es nicht mit dem Hausmüll. Führen Sie das Produkt einer getrennten Sammlung zu.



Durch die separate Sammlung von ausgedienten Produkten und Verpackungsmaterialien können Rohstoffe recycelt und wiederverwendet werden. Die Wiederverwendung aufbereiteter Materialien trägt zur Vermeidung der Umweltverschmutzung bei und senkt den Rohstoffbedarf.

Die Verordnung zur Abfallentsorgung Ihrer Gemeinde sieht möglicherweise vor, dass Elektrogeräte getrennt vom Hausmüll gesammelt, an der örtlichen Abfallentsorgungseinrichtung abgegeben oder beim Kauf eines neuen Produkts vom Fachhandel zur Entsorgung angenommen werden müssen.

Black & Decker nimmt Ihre ausgedienten Black & Decker Geräte gern zurück und sorgt für eine umweltfreundliche Entsorgung bzw. Wiederverwertung. Um diese Dienstleistung in Anspruch zu nehmen, geben Sie das Gerät bitte bei einer autorisierten Reparaturwerkstatt ab, die für uns die Einsammlung übernimmt.

Die Adresse der zuständigen Niederlassung von Black & Decker steht in dieser Anleitung. Dort teilt man Ihnen gerne die nächstgelegene Vertragswerkstatt mit. Außerdem ist eine Liste der Vertragswerkstätten und aller Kundendienststellen von Black & Decker sowie der zuständigen Ansprechpartner im Internet zu finden unter:

www.2helpU.com

Akkus



Denken Sie bei der Entsorgung von verbrauchten Batterien und Akkus an unsere Umwelt

- Achten Sie darauf, dass die Akkukontakte nicht kurzgeschlossen werden.
- Werfen Sie Akkus nicht in ein Feuer, da dies Verletzungen oder eine Explosion zur Folge haben kann.
- Entladen Sie den Akku vollständig, und entfernen Sie ihn dann aus dem Gerät.
- Akkus können recycelt werden. Verpacken Sie die Akkus in einem geeigneten Behälter, sodass die Akkukontakte nicht kurzgeschlossen werden können. Bringen Sie die Batterien oder Akkus zu einer autorisierten Vertragswerkstatt oder zu einer Rücknahmestelle in Ihrer Nähe.

Technische Daten

		GPC1800 (H2) GPC1800P (H2)	
Spannung	V _{DC}	18	
Kettengeschwindigkeit (Leerlauf)	m/min	114	
Gewicht	kg	3,5	
Max. Schnittlänge	cm	17	

Akku		A18	A1718
Spannung	V _{DC}	18	18
Kapazität	Ah	1.5	1.7
Akkutyp	kg	NiCd	NiCd

Ladegerät		9050084*	
Netzspannung	V _{AC}	230 - 240V	
Ausgangsspannung	V _{DC} .	21.75	
Amperezahl	A	210	
Ungefähre Ladezeit	h	8	

Schallleistungspegel gemäß EN ISO 3744: LWA = 98 dB(A), Unsicherheitsfaktor (K) = 3 dB(A)

Schalldruckpegel gemäß EN ISO 11203: LPA = 78 dB(A), Unsicherheitsfaktor (K) = 3 dB(A)

Gesamtvibration (Triax-Vektorsumme), ermittelt nach EN 60745			
Holzschnitten	Vibrationsemis-sionswert ah=	<2,5	m/s ²
	Unsicherheitswert K =	<1,5	m/s ²

EG-Konformitätserklärung

MASCHINENRICHTLINIE



GPC1800, GPC1800P

Black & Decker erklärt, dass diese unter "Technische Daten" beschriebenen Geräte übereinstimmen mit:
2006/42/EG, EN 60745-1

Diese Produkte entsprechen außerdem der Richtlinie 2004/108/EG. Weitere Informationen erhalten Sie von Black & Decker unter der folgenden Adresse. Diese befindet sich auch auf der Rückseite dieser Anleitung.

Der Unterzeichnete ist verantwortlich für die Zusammenstellung der technischen Daten und gibt diese Erklärung im Namen von Black & Decker ab.

Kevin Hewitt
Vice-President Global Engineering
Black & Decker Europe, 210 Bath Road, Slough,
Berkshire, SL1 3YD
Großbritannien
12/04/2012

Garantie

Black & Decker vertraut auf die Qualität der eigenen Geräte und bietet dem Käufer eine außergewöhnliche Garantie. Diese Garantiezusage versteht sich unbeschadet der gesetzlichen Gewährleistungsansprüche und schränkt diese keinesfalls ein.

Sie gilt in sämtlichen Mitgliedstaaten der Europäischen Union und der Europäischen Freihandelszone EFTA.

Tritt innerhalb von 24 Monaten ab Kaufdatum an einem Gerät von Black & Decker ein auf Material- oder Verarbeitungsfehler zurückzuführender Mangel auf, garantiert Black & Decker den Austausch defekter Teile, die Reparatur von Geräten mit üblichem Verschleiß bzw. den Austausch eines mangelhaften Gerätes, ohne den Kunden dabei mehr als unbedingt nötig in Anspruch zu nehmen, allerdings vorbehaltlich folgender Ausnahmen:

- wenn das Gerät gewerblich, beruflich oder im Verleihgeschäft benutzt wurde;
- wenn das Gerät missbräuchlich verwendet oder mit mangelnder Sorgfalt behandelt wurde;
- wenn das Gerät durch irgendwelche Fremdeinwirkung beschädigt wurde;
- wenn ein unbefugter Reparaturversuch durch anderes Personal als das einer Vertragswerkstatt oder des Black & Decker Kundendienstes unternommen wurde.

Zur Inanspruchnahme dieser Garantie ist dem Verkäufer bzw. der Vertragswerkstatt ein Kaufnachweis vorzulegen. Die Adresse der zuständigen Niederlassung von Black & Decker steht in dieser Anleitung. Dort teilt man Ihnen gerne die nächstgelegene Vertragswerkstatt mit. Außerdem ist eine Liste der Vertragswerkstätten und aller Kundendienststellen von Black & Decker sowie der zuständigen Ansprechpartner im Internet zu finden unter:

www.2helpU.com

Bitte besuchen Sie unsere Webseite www.blackanddecker.de, um Ihr neues Black & Decker Produkt zu registrieren. Dort erhalten Sie auch Informationen über neue Produkte und Sonderangebote. Weitere Informationen über die Marke Black & Decker und unsere Produkte finden Sie unter:

www.blackanddecker.de

Utilisation

Votre ébrancheur sans fil Black & Decker a été spécialement conçu pour couper les rameaux au sommet des arbres. Cet outil est destiné à une utilisation exclusivement domestique.

Votre chargeur Black & Decker a été conçu pour charger les batteries Black & Decker correspondant à cet outil.

Consignes de sécurité

Consignes de sécurité concernant les outils électroportatifs



Attention ! Lisez avec attention toutes les consignes de sécurité et toutes les instructions. Le non-respect de cette consigne peut entraîner une électrocution, un incendie et/ou de graves blessures.

Conservez tous les avertissements et instructions pour référence ultérieure.

La notion "d'outil électrique" mentionnée par la suite se rapporte à des outils électriques raccordés au secteur (avec câble de raccordement) ou fonctionnant avec piles (sans fil).

Sécurité de la zone de travail

- **Maintenez la zone de travail propre et bien éclairée.** Un lieu de travail en désordre ou mal éclairé augmente le risque d'accidents.
- **N'utilisez pas les outils électroportatifs dans un environnement présentant des risques d'explosion ni en présence de liquides, gaz ou poussières inflammables.** Les outils électroportatifs génèrent des étincelles risquant d'enflammer les poussières ou les vapeurs.
- **Pendant l'utilisation d'un outil électroportatif, les enfants et autres personnes doivent rester éloignés.** En cas d'inattention, vous risquez de perdre le contrôle de l'outil.

Sécurité électrique

- **La prise de l'outil électroportatif doit être compatible avec la prise d'alimentation. Ne modifiez en aucun cas la prise.** N'utilisez pas de prises d'adaptateur avec des appareils ayant une prise de terre. Le respect de ces consignes réduit le risque de choc électrique.

- **Évitez le contact physique avec des surfaces mises à la terre telles que tuyaux, radiateurs, fours et réfrigérateurs.** Le risque de choc électrique augmente si votre corps est relié à la terre.
- **N'exposez pas l'outil électroportatif à la pluie ou à l'humidité.** La pénétration d'eau dans un outil électroportatif augmente le risque de choc électrique.
- **Préservez le câble d'alimentation. N'utilisez pas le câble pour porter l'outil, pour l'accrocher. Ne le tirez pas pour le débrancher. Maintenez le câble éloigné des sources de chaleurs, des parties huilées, des bords tranchants ou des parties de l'appareil en rotation.** Le risque de choc électrique augmente si les câbles sont endommagés ou emmêlés.
- **Si vous utilisez l'outil électroportatif à l'extérieur, utilisez une rallonge homologuée pour une utilisation à l'extérieur.** L'utilisation d'une rallonge électrique homologuée pour les travaux à l'extérieur réduit le risque de choc électrique.
- **Si l'outil doit être utilisé dans un endroit humide, prenez les précautions nécessaires en utilisant un dispositif à courant résiduel (RCD).** L'utilisation d'un tel dispositif réduit les risques d'électrocution.

Sécurité personnelle

- **Restez vigilant, surveillez ce que vous faites. Faites preuve de bon sens quand vous utilisez un outil électroportatif.** N'utilisez pas l'outil lorsque vous êtes fatigué ou après avoir consommé de l'alcool ainsi que des médicaments. Un moment d'inattention en utilisant l'outil peut entraîner de graves blessures.
- **Portez un équipement de protection. Portez toujours des lunettes de protection.** Selon le travail à effectuer, le port d'équipement de protection tels que masque anti-poussières, chaussures de sécurité antidérapantes, casque ou protection auditive, réduit le risque de blessures.
- **Évitez un démarrage imprévu. L'appareil doit être en position OFF (arrêt) avant d'effectuer le branchement à l'alimentation et/ou au bloc-batterie, de le ramasser ou de le porter. Ne laissez pas votre doigt sur le bouton de commande en le transportant.** N'alimentez pas l'outil si le bouton est activé. Ceci pourrait être à l'origine d'accident.

- **Retirez les outils ou clés de réglage avant de mettre l'outil en marche.** Une clé ou un outil se trouvant sur une partie en rotation peut causer des blessures.
- **Adoptez une position confortable. Adoptez une position stable et gardez votre équilibre en permanence.** Vous contrôlerez ainsi mieux l'outil dans des situations inattendues.
- **Portez des vêtements appropriés. Ne portez pas de vêtements amples ou de bijoux. N'approchez pas les cheveux, vêtements ou gants des parties des pièces mobiles.** Les vêtements amples, les bijoux ou les cheveux longs peuvent s'accrocher dans les pièces en mouvement.
- **En cas d'utilisation d'appareils servant à aspirer ou à recueillir les poussières, assurez-vous qu'ils sont correctement raccordés et utilisés.** L'utilisation de tels dispositifs réduit les dangers dus aux poussières.
- **Les outils de coupe doivent toujours être aiguisés et propres.** Des outils soigneusement entretenus avec des bords tranchants bien aiguisés se coincent moins souvent et peuvent être guidés plus facilement.
- **Utilisez les outils électroportatifs, les accessoires, etc., en suivant ces instructions et en tenant compte des conditions de travail, ainsi que du travail à effectuer.** L'utilisation des outils électroportatifs à d'autres fins que celles prévues peut vous mettre en situation dangereuse.

Utilisation de la batterie et précautions

- **Ne rechargez qu'avec le chargeur proposé par le fabricant.** Un chargeur destiné à un type de bloc-batteries risque de provoquer des incendies s'il est utilisé avec un bloc-batteries différent.
- **N'utilisez les appareils électroportatifs qu'avec le bloc-batterie approprié.** L'utilisation d'un autre bloc-batteries peut provoquer des blessures ou être à l'origine d'un feu.
- **Quand le bloc-batterie n'est pas utilisé, éloignez-le d'objets en métal comme des agrafes, des pièces, des clés, des clous, des vis ou autres petits objets qui pourraient établir une connexion d'une borne à l'autre.** Un tel court-circuit peut être à l'origine d'un feu ou de brûlures.
- **En cas d'utilisation excessive, le liquide peut sortir de la batterie; évitez tout contact. Si vous n'avez pu éviter le contact, rincez à l'eau.** En cas de contact avec les yeux, consultez un médecin. Le liquide sortant des batteries peut causer des irritations ou des brûlures.

Utilisation des outils électroportatifs et précautions

- **Respectez la capacité de l'outil. Utilisez l'outil électroportatif approprié pour le travail à effectuer.** Avec un outil approprié, vous travaillerez mieux et en toute sécurité.
- **N'utilisez pas un outil électroportatif dont le bouton marche/arrêt est défectueux.** Un outil électroportatif qui ne répond pas à la commande marche/arrêt est dangereux et doit être réparé.
- **Retirez la prise de courant et/ou débranchez le bloc-batterie avant d'effectuer des réglages, de changer les accessoires ou de ranger l'outil.** Cette mesure de précaution empêche de mettre l'outil en marche accidentellement.
- **Rangez les outils électroportatifs hors de portée des enfants. Les personnes ne connaissant pas l'outil ou n'ayant pas lu ces instructions ne doivent en aucun cas l'utiliser.** Les outils électroportatifs sont dangereux lorsqu'ils sont utilisés par des personnes non initiées.
- **Entretenez les outils électroportatifs. Vérifiez que les parties en mouvement fonctionnent correctement et qu'elles ne sont pas coincées.** Vérifiez qu'il n'y a pas de pièces cassées ou endommagées susceptibles de nuire au bon fonctionnement de l'outil. S'il est endommagé, faites réparer l'outil avant de l'utiliser. De nombreux accidents sont la conséquence d'outils mal entretenus.

Réparations

- **Faites réparer votre outil électroportatif uniquement par du personnel qualifié et seulement avec des pièces de rechange appropriées. Cela garantira le maintien de la sécurité de votre outil.**

Consignes de sécurité supplémentaires pour l'ébranchoir

Les consignes d'utilisation sont données dans ce manuel d'instructions. N'exécutez que les travaux appropriés à cet outil. Par exemple, cet outil ne doit pas être utilisé pour couper les arbres. L'utilisation d'un accessoire ou d'une fixation, ou bien l'utilisation de cet outil à d'autres fins que celles recommandées dans ce manuel peut présenter un risque de blessures.

- Ne portez pas de vêtements amples. Portez des vêtements de protection comme un casque de protection avec visière/lunettes, un serre-tête antibruit, des chaussures de sécurité antidérapantes, une salopette et des gants de cuir.
- Veillez à ne pas vous placer sur la trajectoire de chute des branches.
- La distance de sécurité entre une branche à couper ou à débiter et les personnes, bâtiments ou autres objets se trouvent à proximité doit être au moins égale à 2 1/2 fois la longueur de la branche. Les personnes, bâtiments ou objets se trouvant en deçà de cette distance risquent d'être heurtés par la branche au moment de la chute.
- Avant l'abattage, vérifiez où vont tomber les arbres ou les branches. Assurez-vous qu'il n'y a aucun obstacle risquant d'empêcher ou de gêner vos déplacements. N'oubliez pas que l'herbe mouillée et l'écorce fraîchement coupée sont glissantes.
- Travaillez toujours avec quelqu'un à proximité (tout en respectant une distance de sécurité), pour le cas où un accident se produirait.
- N'utilisez pas cet outil quand vous êtes dans l'arbre, sur une échelle ou une surface instable.
- Adoptez une position stable et gardez votre équilibre en permanence.
- Tenez fermement l'outil avec les deux mains lorsque le moteur est en marche.
- Lorsque la chaîne est en mouvement, ne la laissez pas toucher d'objet à l'extrémité du guide-chaîne.
- Ne commencez la coupe qu'avec une chaîne à pleine vitesse.
- N'essayez pas d'insérer la scie dans une entaille préexistante. Faites toujours une nouvelle entaille.
- Faites attention aux branches qui bougent ou aux autres forces qui pourraient refermer une entaille et pincer ou entraver la chaîne.
- Ne tentez pas de couper une branche ayant un diamètre supérieur à la longueur de coupe de la tronçonneuse.

- Retirez toujours la batterie de l'outil et placez le cache-chaîne sur la chaîne pour ranger l'outil ou le transporter.
- La chaîne doit rester affûtée et tendue. Vérifiez régulièrement la tension de la chaîne.
- Éteignez toujours l'outil, laissez la chaîne s'arrêter et retirez la batterie de l'outil avant d'effectuer des réglages, des entretiens ou des réparations.
- N'utilisez que des pièces de remplacement et des accessoires d'origine.
- L'ébranchoir doit être porté par la poignée avec la lame arrêtée. Pendant le transport ou le remisage de l'ébranchoir, installez toujours la protection de la lame. Démontez-le. En respectant ces consignes, les risques de blessures personnelles et sur autrui sont limités.

Risques résiduels

L'utilisation d'un outil non mentionné dans les consignes de sécurité données peut entraîner des risques résiduels supplémentaires. Ces risques peuvent survenir si l'outil est mal utilisé, si l'utilisation est prolongée, etc.

Malgré l'application des normes de sécurité correspondantes et la présence de dispositifs de sécurité, les risques résiduels suivants ne peuvent être évités. Ceci comprend :

- Les blessures dues au contact avec une pièce mobile/en rotation.
- Les blessures causées en changeant des pièces, lames ou accessoires.
- Les blessures dues à l'utilisation prolongée d'un outil. Une utilisation prolongée de l'outil nécessite des pauses régulières.
- Déficience auditive.
- Risques pour la santé causés par l'inhalation de poussières produites pendant l'utilisation de l'outil (exemple : travail avec du bois, surtout le chêne, le hêtre et les panneaux en MDF).

Vibration

La valeur des émissions de vibration déclarée dans la section Déclaration/Données techniques de conformité a été mesurée selon une méthode d'essai standard fournie par la norme EN 60745 et peut être utilisée pour comparer un outil à un autre. Elle peut aussi être utilisée pour une évaluation préliminaire à l'exposition.

Attention ! Selon la manière dont l'outil est utilisé, la valeur des émissions de vibration pendant l'utilisation de l'outil peut être différente de la valeur déclarée. Le niveau de vibration peut augmenter au-dessus du niveau établi.

Quand l'exposition aux vibrations est évaluée afin de déterminer les mesures de sécurité requises par la norme 2002/44/CE pour protéger les personnes utilisant régulièrement des outils électroportatif, il faut tenir compte d'une estimation de l'exposition aux vibrations, des conditions actuelles d'utilisation et de la manière dont l'outil est utilisé. Il faut aussi tenir compte de toutes les pièces du cycle de fonctionnement comme la durée pendant laquelle l'outil est arrêté et quand il fonctionne au ralenti, ainsi que la durée du déclenchement.

Élagage

Avant d'élaguer un arbre, assurez-vous que la législation ou les réglementations locales n'interdisent ou ne limitent pas l'abattage.

- Anticipez la direction dans laquelle une branche risque de tomber. Tenez compte de toutes les conditions pouvant affecter la direction de la chute, notamment :
 - La longueur et le poids de la branche à élaguer.
 - La direction de chute souhaitée.
 - Toute carie ou défaut important de la structure d'une branche maîtresse.
 - Les arbres environnants et les obstacles.
 - La présence de lignes aériennes.
 - Une branche entrelacée dans les autres branches.
 - La vitesse et la direction du vent.
- Vérifiez l'accès aux branches.

Les branches peuvent bouger en direction du tronc de l'arbre. De plus, les personnes, bâtiments ou objets se trouvant sous la branche risquent d'être heurtés par la branche.

Sécurité des personnes

- Cet outil ne doit pas être utilisé par des personnes (y compris les enfants) ayant des déficiences physiques, mentales ou sensorielles. Cette consigne s'applique aussi aux personnes manquant d'expérience et de connaissance du matériel, à moins que celles-ci n'aient reçu les instructions appropriées ou qu'elles ne soient encadrées par une personne responsable de leur sécurité pour utiliser l'appareil.
- Ne laissez jamais les enfants sans surveillance pour éviter qu'ils ne jouent avec cet outil.

Symboles d'avertissement

Les symboles suivants se trouvent sur votre outil :



Attention ! Pour réduire le risque de blessures, l'utilisateur doit lire le manuel d'instructions.



N'utilisez pas l'outil en cas d'humidité. Ne l'exposez pas à la pluie.



Portez toujours des lunettes de sécurité et un casque.



Portez des chaussures de sécurité non glissantes.



Attention à la chute d'objets. Ne laissez personne s'approcher.



Risque d'électrocution. Éloignez-vous au moins de 10 m des lignes aériennes.



Pour continuer à utiliser l'appareil en toute sécurité, vérifiez la tension de la chaîne (comme dans ce manuel) toutes les 10 minutes et ajustez en laissant un jeu de 3 mm, comme requis. Graissez la chaîne toutes les 10 minutes.



Sens de rotation de la chaîne.



Attention ! Ne touchez pas la chaîne au point d'éjection des copeaux.

Consignes de sécurité supplémentaires concernant les batteries et les chargeurs

Batteries

- En aucun cas, n'essayez d'ouvrir l'appareil.
- Ne mettez pas la batterie en contact avec l'eau.
- N'approchez pas la batterie d'une source de chaleur.
- Ne rangez pas l'appareil dans des endroits où la température peut dépasser 40 °C.
- Ne chargez qu'à température ambiante comprise entre 10 °C et 40 °C.
- N'utilisez que le chargeur fournis avec l'appareil/outil. Le non respect de cette consigne pourrait entraîner un électrotraumatisme ou une surchauffe de la batterie.

- Pour mettre les batteries au rebut, suivez les instructions données dans la section « Protection de l'environnement ».
- Ne déformez/n'endommagez pas le bloc-batterie en le perçant ou en le cognant, ceci pourrait entraîner des blessures et un incendie. Ne chargez pas les batteries endommagées.
- Dans des conditions extrêmes, une batterie peut couler. Si vous détectez une fuite, utilisez un chiffon pour essuyer le liquide avec précaution. Évitez tout contact avec la peau.#####
- En cas de contact avec la peau ou les yeux, suivez les instructions ci-dessous.



Lisez le manuel d'instruction avant d'utiliser l'appareil.



Le chargeur est automatiquement mis hors service si la température ambiante devient trop élevée. Dès que la température ambiante baisse, le chargeur reprend la charge.



Ne chargez qu'à température ambiante comprise entre 10 °C et 40 °C.

Sécurité électrique



Votre chargeur est doublement isolé. Par conséquent, aucun câble de terre n'est nécessaire. Vérifiez toujours si la tension indiquée sur la plaque signalétique de l'appareil correspond à la tension de secteur. N'essayez jamais de remplacer le chargeur par une prise secteur.

Attention ! Le liquide de batterie peut provoquer des blessures ou des dommages. En cas de contact avec la peau, rincez immédiatement à l'eau. Si des rougeurs, une douleur ou une irritation se produisent, consultez un médecin. En cas de contact avec les yeux, rincez à l'eau et consultez immédiatement un médecin.

Chargeurs

Votre chargeur doit être conçu pour fonctionner avec une tension spécifique. Vérifiez toujours si la tension indiquée sur la plaque signalétique de l'appareil correspond à la tension de secteur.

Attention ! N'essayez jamais de remplacer le chargeur par une prise secteur.

- N'utilisez votre chargeur Black & Decker que pour charger la batterie fournie avec l'appareil/outil. D'autres batteries pourraient exploser, provoquant des blessures et des dommages.
- Ne tentez jamais de recharger des batteries non rechargeables.
- Si le câble d'alimentation est endommagé, il doit être remplacé par le fabricant ou par un centre de réparation agréé Black & Decker pour éviter tout risque.
- Ne mettez pas le chargeur en contact avec l'eau.
- N'ouvrez pas le chargeur.
- Ne testez pas le chargeur.
- Pour le rechargement, placez l'appareil/outil/batterie dans un endroit correctement aéré.

Symboles sur le chargeur

Les symboles suivants se trouvent sur votre chargeur :



Le chargeur ne peut être utilisé qu'à l'intérieur.

Vue d'ensemble

1. Bouton marche/arrêt
2. Bouton de déblocage
3. Poignée principale
4. Embout de scie
5. Cache pignon
6. Guide-chaîne
7. Chaîne
8. Gaine de chaîne
9. Bouteille de graissage
10. Tube rallonge
11. Batterie

Figure A

12. Chargeur

Assemblage

Attention ! Avant l'assemblage, retirez la batterie de l'outil.

Installation et retrait de la batterie (figure B)

- Pour installer la batterie(11), alignez-la avec le boîtier sur l'outil. Glissez la batterie dans le boîtier et poussez-la jusqu'à ce qu'elle s'enclenche.
- Pour retirer la batterie, poussez le bouton de dégagement (13) tout en tirant sur la batterie pour la sortir.

Attention ! Pour éviter un accident, vérifiez que la batterie est retirée et que la gaine de chaîne est sur la chaîne avant d'effectuer les opérations suivantes. Le non respect de cette consigne peut entraîner des blessures graves.

Mise en place de l'embout de scie (figure C)

L'embout de scie peut être directement installé sur la poignée pour être en conformité avec les standards.

- Alignez la rainure sur l'extérieur de l'extrémité de la poignée (3) avec la languette sur l'intérieur de l'extrémité de l'embout de scie (4). Poussez l'embout de scie (4) sur la poignée (3).
- Glissez le collier (14) vers le bas et tournez-le dans les sens des aiguilles d'une montre jusqu'à ce qu'il soit complètement serré.

Attention ! Vérifiez régulièrement le serrage des connexions.

Extension de l'embout de scie (figure D)

Pour obtenir la longueur maximale, utilisez le tube rallonge (10) entre l'embout de scie (4) et la poignée (3).

- Alignez la rainure sur l'extérieur de l'extrémité de la poignée (3) avec la languette sur l'intérieur de l'extrémité du tube rallonge (10).
- Poussez le tube rallonge (10) sur la poignée (3).
- Glissez le collier (15) vers le bas et faites-le tourner jusqu'à ce qu'il soit complètement serré.
- Alignez la rainure sur l'extérieur de l'extrémité du tube rallonge (10) avec la languette sur l'intérieur de l'extrémité de l'embout de scie (4).
- Poussez l'embout de scie (4) sur le tube rallonge (10).
- Glissez le collier (14) vers le bas et tournez-le dans les sens des aiguilles d'une montre jusqu'à ce qu'il soit complètement serré.

Attention ! Vérifiez régulièrement le serrage des connexions.

Retrait de l'embout de scie (figure C et D)

Si le tube rallonge (10) est installé, retirez d'abord l'embout de scie.

- Pour retirer l'embout de scie (4), posez la poignée (3) sur le sol, desserrez le collier (14) et sortez l'embout de scie.

Utilisation

Attention ! Laissez l'outil fonctionner à sa propre vitesse. Ne le poussez pas au-delà de sa limite.

Charge de la batterie (figure A)

La batterie doit être chargée avant la première utilisation et chaque fois qu'elle semble faible.

Au premier chargement ou après une période de non utilisation prolongée, la charge ne pourra pas dépasser 80 %.

Après plusieurs cycles de charge/décharge, la batterie atteint sa capacité maximale. La batterie peut chauffer pendant la charge. Ceci est un phénomène normal qui ne présente pas un problème.

Attention ! Ne chargez pas la batterie si la température ambiante est inférieure à 10 °C ou supérieure à 40 °C. Température de charge recommandée : environ 24 °C.

- Pour charger la batterie (11), retirez-la de l'outil et insérez-la dans le chargeur (12). Il n'y a qu'un moyen d'insérer la batterie sur le chargeur. Ne forcez pas. Assurez-vous que la batterie est complètement enclenchée dans le chargeur.
- Branchez le chargeur.

Charge - 8 heures

Il faut environ 8 heures pour que la batterie soit complètement chargée. Elle peut être retirée à tout moment ou laissée dans le chargeur connecté.

Mise en marche et arrêt (figure E)

Pour votre sécurité, cet outil est équipé d'un système à double commande permettant de prévenir tout démarrage accidentel.

Démarrage

- Poussez avec le pouce sur le bouton de déblocage (2) et appuyez sur le bouton marche/arrêt (1) en même temps.
- Relâchez le bouton de déblocage (2).

Arrêt

- Relâchez le bouton marche/arrêt (1).

Attention ! N'essayez jamais de bloquer une commande en position marche.

Élagage (figure F)

- Assurez-vous que l'outil fonctionne à pleine vitesse avant de faire une entaille.
- Maintenez fermement l'outil afin d'éviter tout effet de retour ou mouvement latéral.
- Guidez l'outil à travers les branches en appuyant légèrement. Pour les grosses branches, une entaille partielle peut fendre et endommager l'arbre. Procédez comme suit :

- Faites une première entaille de 15 cm depuis le tronc sur le côté de la branche maîtresse. Utilisez le dessus du guide-chaîne (7) pour faire cette entaille.
- Coupez un tiers du diamètre de la branche maîtresse. Puis, coupez de haut en bas.

Nettoyage, entretien et remisage

Votre appareil/outil sans fil/avec fil Black & Decker a été conçu pour fonctionner pendant longtemps avec un minimum d'entretien.

Un fonctionnement continu satisfaisant dépend d'un nettoyage régulier et d'un entretien approprié de l'outil.

Attention ! À ne pas oublier avant l'entretien des appareils électriques sans fil/avec fil :

- Arrêtez l'appareil/outil, puis débranchez-le
- Ou, débranchez la batterie et retirez-la de l'appareil/outil si celui-ci est muni d'un bloc-batteries séparé
- Ou bien déchargez complètement la batterie si elle est intégrée au système, puis mettez-la hors tension
- Débranchez le chargeur avant de le nettoyer. Aucun entretien particulier n'est nécessaire pour le chargeur en dehors du nettoyage régulier.

Nettoyez régulièrement les orifices de ventilation de votre appareil/outil/chargeur à l'aide d'une brosse souple ou d'un chiffon sec. Nettoyez régulièrement le compartiment du moteur à l'aide d'un chiffon humide. N'utilisez pas de produit abrasif ou à base de solvant. Ouvrez régulièrement le mandrin et retirez la poussière à l'intérieur en le tapant (si installé).

Après utilisation et avant remisage

- Nettoyez régulièrement les orifices de ventilation à l'aide d'une brosse sèche et propre.
- Pour nettoyer l'outil, utilisez exclusivement du savon doux et un chiffon humide. Évitez toute pénétration de liquide dans l'outil et ne plongez aucune pièce dans du liquide.
- Retirez les débris avec une brosse dure.
- Graissez la chaîne avec de l'huile.

Installation et retrait de la chaîne (figure G et H)

Attention ! Portez toujours des gants de protection lors de l'installation ou du retrait de la chaîne. Celle-ci est très affûtée et peut vous couper, même à l'arrêt.

- Placez l'outil sur une surface stable et ferme.
- Desserrez les vis (16) à l'aide de la clé Allen fournie. Retirez les vis.
- Retirez le cache-pignon(5)et la bride de serrage (17).
- Tournez la vis (18) dans le sens inverse des aiguilles d'une montre pour que le guide-chaîne (6) se rétracte et pour réduire la tension sur la chaîne (7).
- Retirez la chaîne usée du pignon (19) et le guide-chaîne (6).
- Placez la nouvelle chaîne dans la rainure du guide-chaîne et autour du pignon. Les dents doivent être correctement orientées en faisant correspondre la flèche sur la chaîne avec la flèche sur le boîtier.
- La fente (20) dans le guide-chaîne se trouve sur les axes de positionnement (21) et le trou (22) sous la fente au-dessus de la goupille de réglage (23).
- Réinstallez le cache-pignon(5)et la bride de serrage (17) et les vis (16).
- Serrez les vis (16) à l'aide de la clé Allen fournie.
- Tendez la chaîne comme décrit ci-dessous.

Pour continuer à travailler en toute sécurité, la chaîne et le guide-chaîne ne doivent être remplacés que par des pièces Black & Decker. Chaîne de rechange, numéro de pièce A6158. Guide-chaîne de rechange, numéro de pièce 623381-00.

Contrôle et réglage de la tension de la chaîne (figure G)

- Vérifiez la tension de la chaîne. Pour vérifier si la tension de la chaîne (7) est correcte, pincez-la légèrement avec le pouce et le majeur à environ 3 mm du guide-chaîne. Elle doit se remettre en place automatiquement. Il ne doit pas y avoir de jeu en dessous entre le guide-chaîne (6) et la chaîne (7).

Pour régler la tension :

- Desserrez les vis (16).
- Tournez la vis (18) dans le sens inverse des aiguilles d'une montre.

Attention ! Veillez à ne pas trop tendre la chaîne car cela entraînerait une usure excessive et réduirait la durée de vie du guide et de la chaîne.

- Une fois la tension de la chaîne correcte, serrez les vis (18).

Attention ! Lorsque la chaîne est neuve, contrôlez fréquemment la tension pendant les deux premières heures d'utilisation. Une chaîne neuve a tendance à se détendre légèrement.

Graissage de la chaîne

La chaîne doit être graissée avant chaque utilisation et après le nettoyage avec l'huile appropriée (cat. N° A6027).

- Graissez uniformément toute la chaîne(7) avec l'applicateur (9).

Remisage

Lorsque l'outil n'est pas utilisé pendant plusieurs mois, laissez si possible la batterie connectée au chargeur.

Sinon, procédez comme suit :

- Chargez complètement la batterie.
- Retirez la batterie de l'outil.
- Rangez l'outil et la batterie en lieu sûr et à l'abri de l'humidité.
- La température de stockage doit toujours être comprise entre + 10 °C et + 40 °C. Placez la batterie sur une surface de niveau.
- Après une période d'inactivité, rechargez complètement la batterie avant d'utiliser l'outil.

Protection de l'environnement



Recyclage. Cet appareil ne doit pas être jeté avec les déchets ménagers.

Si votre appareil/outil Black & Decker doit être remplacé ou si vous ne l'utilisez plus, ne le jetez pas avec les ordures ménagères. Songez à la protection de l'environnement et recyclez-le.



La collecte séparée des produits et des emballages usagés permet de recycler et de réutiliser des matériaux. La réutilisation de matériaux recyclés permet d'éviter la pollution de l'environnement et de réduire la demande en matières premières.

Des réglementations locales peuvent stipuler la collecte séparée des produits électriques et des produits ménagers, dans des déchetteries municipales ou par le revendeur lorsque vous achetez un nouveau produit.

Black & Decker offre une solution permettant de recycler les produits Black & Decker lorsqu'ils ont atteint la fin de leur cycle de vie. Pour pouvoir profiter de ce service, veuillez retourner votre produit à un réparateur agréé qui se chargera de le collecter pour nous.

Pour connaître l'adresse du réparateur agréé le plus proche de chez vous, contactez le bureau Black & Decker à l'adresse indiquée dans ce manuel. Vous pourrez aussi trouver une liste de réparateurs agréés de Black & Decker et de plus amples détails sur notre service après-vente sur le site Internet à l'adresse suivante :

www.2helpU.com

Batteries



Quand elles sont hors d'usage, jetez-les en respectant les normes de protection de l'environnement.

- Ne court-circuitiez pas les bornes des piles.
- Ne jetez pas la ou les batteries dans le feu, elles pourraient exploser ou être à l'origine d'un risque de blessure.
- Déchargez complètement la batterie, puis retirez-la de l'outil.
- Les batteries sont recyclables. Placez la ou les batteries dans un emballage approprié pour éviter un court-circuit des bornes. Déposez-les chez un technicien d'entretien agréé ou dans un centre de recyclage local.

Caractéristiques techniques

		GPC1800 (H2) GPC1800P (H2)	
Tension	V _{DC}	18	
Vitesse de la chaîne (sans charge)	m/min	114	
Poids	kg	3,5	
Longueur maximum de coupe	cm	17	

Batterie		A18	A1718
Tension	V _{DC}	18	18
Capacité	Ah	1.5	1.7
Type de batterie	kg	NiCd	NiCd

Chargeur		9050084
Tension secteur	V _{AC}	230 - 240V
Tension de sortie	V _{DC}	21.75
Ampérage	A	210
Charge approxima- tive	h	8

Niveau de puissance sonore selon la norme EN ISO 3744 : LWA = 98 dB(A), incertitude (K) = 3 dB(A)

Niveau de pression sonore selon la norme EN ISO 11203 : LPA = 78 dB(A), incertitude (K) = 3 dB(A)

Valeurs totales des vibrations (somme vectorielle triaxiale) déterminées selon la norme EN 60745			
Coupe de bois	Valeur d'émission de vibration ah=	<2,5	m/s ²
	Incertitude K=	<1,5	m/s ²

CE - Déclaration de conformité

CONSIGNES DE MACHINERIE



GPC1800, GPC1800P

Black & Decker confirme que les produits décrits dans les « Données techniques » sont conformes aux normes :
2006/42/CE, EN 60745-1,

Ces produits sont conformes aux normes 2004/108/CE. Pour plus de détails, veuillez contacter Black & Decker à l'adresse suivante ou reportez-vous au dos du manuel.

Le soussigné est responsable des données de la fiche technique et fait cette déclaration au nom de Black & Decker.

Kevin Hewitt
Vice-Président - ingénierie internationale
Black & Decker Europe, 210 Bath Road, Slough,
Berkshire, SL1 3YD
Royaume-Uni
12/04/2012

Garantie

Black & Decker assure la qualité de ses produits et vous offre une garantie très élargie. Ce certificat de garantie est un document supplémentaire et ne peut en aucun cas se substituer à vos droits légaux.

La garantie est valable sur tout le territoire des États Membres de l'Union Européenne et de la Zone de Libre Échange Européenne.

Si un produit Black & Decker s'avère défectueux en raison de matériaux en mauvaises conditions, d'une erreur humaine, ou d'un manque de conformité dans les 24 mois suivant la date d'achat, Black & Decker garantit le remplacement des pièces défectueuses, la réparation des produits usés ou cassés ou remplace ces produits à la convenance du client, sauf dans les circonstances suivantes :

- Le produit a été utilisé dans un but commercial, professionnel, ou a été loué;
- Le produit a été mal utilisé ou utilisé avec négligence;
- Le produit a subi des dommages à cause d'objets étrangers, de substances ou à cause d'accidents;
- Des réparations ont été tentées par des techniciens ne faisant pas partie du service technique de Black & Decker.

Pour avoir recours à la garantie, il est nécessaire de fournir une preuve d'achat au vendeur ou à un réparateur agréé. Pour connaître l'adresse du réparateur agréé le plus proche de chez vous, contactez le bureau Black & Decker à l'adresse indiquée dans ce manuel. Vous pourrez aussi trouver une liste de réparateurs agréés de Black & Decker et de plus amples détails sur notre service après-vente sur le site Internet à l'adresse suivante :

www.2helpU.com.

Visitez notre site Web www.blackanddecker.co.uk pour enregistrer votre nouveau produit Black & Decker et être informé des nouveaux produits et des offres spéciales. Pour plus d'informations concernant la marque Black & Decker et notre gamme de produits, consultez notre site

www.blackanddecker.fr

Uso previsto

Il potatore telescopico cordless Black & Decker è stato progettato per la potatura degli alberi.

L'elettrotensile è stato progettato solo per uso privato.

L'alimentatore Black & Decker è stato progettato per caricare le batterie Black & Decker fornite con questo elettrotensile.

Istruzioni di sicurezza

Avvisi di sicurezza generici per gli elettrotensili



Attenzione! Leggere tutti gli avvisi di sicurezza e tutte le istruzioni. La mancata osservazione dei presenti avvisi e istruzioni potrebbe causare scosse elettriche, incendi e/o infortuni gravi.

Conservare tutte le istruzioni e le avvertenze per futura consultazione.

Il termine "elettrotensile" che ricorre in tutte le avvertenze seguenti si riferisce ad utensili elettrici con o senza filo.

Sicurezza nella zona di lavoro

- **Tenere l'area di lavoro pulita e ben illuminata.** Disordine o scarsa illuminazione possono causare incidenti.
- **Evitare d'impiegare gli elettrotensili in ambienti esposti al rischio di esplosione, ad esempio in presenza di liquidi, gas o polveri infiammabili.** Gli elettrotensili producono scintille che possono far infiammarsi la polvere o i fumi.
- **Mantenere lontani bambini e osservatori mentre si usa l'elettrotensile.** Eventuali distrazioni possono comportare la perdita del controllo dell'elettrotensile.

Sicurezza elettrica

- **Le spine elettriche degli elettrotensili devono essere adatte alla presa. Evitare assolutamente di modificare la spina elettrica. Non usare adattatori con elettrotensili provvisti di messa a terra.** L'uso di spine inalterate e delle prese corrispondenti riduce il rischio di scosse elettriche.
- **Evitare il contatto fisico con superfici collegate a terra, come tubi, radiatori, forni e frigoriferi.** Un corpo collegato a terra è esposto maggiormente al rischio di scosse elettriche.

- **Custodire gli elettrotensili al riparo dalla pioggia o dall'umidità.** L'eventuale infiltrazione di acqua in un elettrotensile va ad aumentare il rischio di scosse elettriche.
- **Non utilizzare il cavo in modo improprio. Non usare il cavo per trasportare o trainare l'elettrotensile e non tirarlo per estrarre la spina dalla presa di corrente.** Mantenere il cavo al riparo da calore, olio, bordi taglienti e/o da parti in movimento. I cavi danneggiati o aggrovigliati aumentano il rischio di scosse elettriche.
- **Se l'elettrotensile viene adoperato all'aperto, usare esclusivamente prolunghe omologate per l'impiego all'esterno.** Un cavo adatto per uso esterno riduce il rischio di scosse elettriche.
- **Se non è possibile evitare di lavorare in una zona umida, usare un'alimentazione elettrica protetta da un dispositivo a corrente residua (RCD). L'uso di un dispositivo RCD riduce il rischio di scosse elettriche.**

Sicurezza delle persone

- **È importante concentrarsi su ciò che si sta facendo e maneggiare con giudizio l'elettrotensile.** Non adoperare l'elettrotensile se si è stanchi o sotto l'effetto di stupefacenti, alcol o medicinali. Un attimo di distrazione durante l'uso dell'elettrotensile può causare gravi infortuni personali.
- **Utilizzare un equipaggiamento di protezione personale. Indossare sempre occhiali di sicurezza.** Se si avrà cura d'indossare l'equipaggiamento protettivo necessario, ad esempio una maschera antipolvere, delle calzature antiscivolo, un casco o delle otoprotezioni, si ridurrà il rischio di infortuni.
- **Impedire l'avviamento involontario. Accertarsi che l'interruttore di accensione sia spento prima di collegare l'elettrotensile all'alimentazione elettrica e/o al battery pack, di prenderlo in mano o di trasportarlo.** Per non esporsi al rischio di incidenti, non trasportare gli elettrotensili tenendo le dita sull'interruttore oppure, se sono collegati a un'alimentazione elettrica, con l'interruttore acceso.
- **Prima di accendere un elettrotensile, togliere eventuali chiavi o attrezzi di regolazione.** Un attrezzo o una chiave lasciati in un componente mobile dell'elettrotensile possono causare infortuni.

- **Non piegarsi eccessivamente in avanti. Mantenere sempre un buon equilibrio evitando posizioni instabili.** In questo modo è possibile controllare meglio l'elettrotensile in situazioni inaspettate.
- **Vestirsi adeguatamente. Evitare di indossare indumenti larghi o gioielli. Tenere capelli, capi di vestiario e guanti lontani da parti in movimento.** Indumenti larghi, gioielli o capelli lunghi possono impigliarsi nelle parti in movimento.
- **Se gli elettrotensili sono provvisti di attacchi per il collegamento di dispositivi di aspirazione o di raccolta della polvere, assicurarsi che questi siano installati e utilizzati correttamente.** L'impiego di dispositivi di raccolta della polvere diminuisce i rischi relativi alle polveri.
- **Mantenere affilati e puliti gli utensili da taglio.** Se sottoposti alla giusta manutenzione, gli strumenti da taglio con taglienti affilati s'inceppano meno frequentemente e sono più facili da manovrare.
- **Utilizzare l'elettrotensile, gli accessori e le punte in conformità alle presenti istruzioni, tenendo conto delle condizioni di lavoro e del lavoro da eseguire.** L'impiego degli elettrotensili per usi diversi da quelli consentiti può dar luogo a situazioni pericolose.

Uso e cura degli elettrotensili a batteria

- **Ricaricare solo usando l'alimentatore prescritto dal fabbricante.** Un alimentatore idoneo a un determinato battery pack potrebbe essere causa di incendio se usato con un battery pack diverso.
- **Usare gli elettrotensili con gli appositi battery pack.** L'impiego di battery pack di altro tipo potrebbe creare il rischio di lesioni e di incendi.
- **Quando il battery pack non viene usato, tenerlo lontano da altri oggetti metallici tipo graffette, monete, chiavi, chiodi, viti o altri oggetti metallici di piccole dimensioni, che potrebbero cortocircuitare un morsetto con l'altro.** Se i morsetti della batteria vengono cortocircuitati si potrebbero causare ustioni o un incendio.
- **A seguito di un uso improprio, la batteria potrebbe espellere del liquido; evitare ogni contatto. In caso di contatto accidentale, lavare con acqua.** Se il liquido viene a contatto degli occhi, rivolgersi anche a un medico. Il liquido espulso dalla batteria potrebbe causare irritazioni o ustioni.

Uso e cura degli elettrotensili

- **Non sovraccaricare l'elettrotensile.** Usare l'elettrotensile adatto al lavoro da eseguire. Utilizzando l'elettrotensile adatto si potrà lavorare meglio e con maggiore sicurezza alla potenza nominale prevista.
- **Non utilizzare elettrotensili con interruttori difettosi.** Un elettrotensile che non può essere controllato mediante l'interruttore è pericoloso e deve essere riparato.
- **Scollegare la spina dalla presa di corrente e/o il battery pack dall'elettrotensile prima di regolarlo, di sostituire gli accessori o di riporlo.** Queste precauzioni di sicurezza riducono la possibilità che l'elettrotensile sia messo in funzione inavvertitamente.
- **Quando non sono usati, gli elettrotensili devono essere custoditi fuori della portata dei bambini.** Non consentire l'uso dell'elettrotensile a persone inesperte o che non abbiano letto le presenti istruzioni. Gli elettrotensili risultano pericolosi se usati da persone inesperte.
- **Sottoporre gli elettrotensili alle necessarie procedure di manutenzione. Verificare che le parti mobili siano bene allineate e non inceppate, che non vi siano componenti rotti e che non sussistano altre condizioni che possono compromettere il funzionamento dell'elettrotensile.** In caso di danni, riparare l'elettrotensile prima dell'uso. La scarsa manutenzione causa molti incidenti.

Riparazioni

- **Fare riparare l'elettrotensile solo ed esclusivamente da personale specializzato e solo impiegando pezzi di ricambio originali, onde non alterarne la sicurezza.**

Altre precauzioni di sicurezza per i potatori telescopici

L'uso previsto è descritto nel presente manuale d'uso. Non usare l'elettrotensile per lavori diversi da quelli di progetto; ad esempio non usarlo per abbattere alberi. Se questo elettrotensile viene usato con accessori o per usi diversi da quelli raccomandati nel presente manuale d'uso, si potrebbero verificare lesioni personali.

- Indossare indumenti aderenti e protettivi, compreso un casco di sicurezza con visiera/occhialoni, otoprotezioni, calzature antiscivolo, calzoni antitaglio e guanti di cuoio robusti.
- L'operatore deve sempre posizionarsi al riparo dalla traiettoria di caduta dei rami.
- La distanza di sicurezza tra un ramo da abbattere e gli osservatori, eventuali edifici e altri oggetti, è pari ad almeno due volte e mezzo la lunghezza del ramo stesso. Eventuali osservatori, edifici o oggetti entro tale distanza rischiano di essere colpiti dal ramo in caduta.
- Mettere a punto un programma di sicurezza che consenta di allontanarsi dai rami o dall'albero che stanno per essere abbattuti. Assicurarsi che il percorso di fuga sia libero da ostacoli che possono impedire o intralciare il movimento. Ricordare che l'erba umida e la corteccia appena tagliata sono scivolose.
- Assicurarsi che nelle vicinanze (ma a distanza di sicurezza), sia sempre disponibile qualcuno che possa intervenire in caso di incidente.
- Non usare l'elettroutensile mentre ci si trova su un albero, su una scala o su qualsiasi altra superficie poco stabile.
- Mantenere sempre un buon equilibrio evitando posizioni instabili.
- Tenere saldamente l'elettroutensile con entrambe le mani quando il motore è in funzione.
- Non lasciare che la catena in movimento tocchi alcun oggetto in prossimità della punta della barra di guida.
- Iniziare un taglio solo con la catena alla massima velocità.
- Non tentare di inserirsi in un taglio precedente. Eseguire sempre un nuovo taglio.
- Prestare attenzione allo spostamento di rami e ad altre forze che possono chiudere un taglio e bloccare o rallentare la catena.
- Non tentare di tagliare un ramo il cui diametro è superiore alla lunghezza di taglio dell'elettroutensile.
- Estrarre sempre la batteria dall'elettroutensile e infilare il copri catena sulla catena quando si ripone o si trasporta l'elettroutensile.
- La catena deve sempre essere affilata e ben tesa. Controllare la tensione a intervalli regolari.
- Spegnerne l'elettroutensile, lasciare che la catena si fermi ed estrarre la batteria dall'elettroutensile prima di eseguire regolazioni o interventi di manutenzione o riparazione.
- Usare esclusivamente ricambi e accessori originali.

- Trasportare il potatore telescopico per mezzo dell'impugnatura con la lama ferma. Quando si trasporta o si ripone il potatore telescopico, montare sempre il fodero della lama e scomporne i principali componenti. Un utilizzo corretto del potatore telescopico riduce il rischio di subire o causare lesioni.

Rischi residui

Altri rischi residui possono derivare dall'impiego dell'elettroutensile e possono non essere stati elencati negli avvisi di sicurezza allegati. Tali rischi possono sorgere a seguito di un uso prolungato o improprio, ecc.

Perfino adottando gli appositi regolamenti di sicurezza e utilizzando i dispositivi di sicurezza, certi rischi residui non possono essere evitati. Essi comprendono:

- Lesioni causate o subite a seguito del contatto con parti rotanti/in movimento.
- Lesioni causate o subite durante la sostituzione di parti, lame o accessori.
- Lesioni causate dall'impiego prolungato di un elettroutensile. Quando si usa qualsiasi elettroutensile per lunghi periodi, accertarsi di fare regolarmente delle pause.
- Problemi di udito.
- Rischi per la salute causati dall'aspirazione di polvere generata dall'utilizzo dell'elettroutensile (ad esempio quando si lavora con il legno, in modo particolare quello di quercia, faggio o l'MDF.)

Vibrazioni

I valori dichiarati delle emissioni di vibrazioni al paragrafo Dati tecnici e nella Dichiarazione di conformità del presente manuale sono stati misurati in base al metodo di test standard previsto dalla normativa EN 60745 e possono essere usati come parametri di confronto tra due utensili. Il valore delle emissioni di vibrazioni dichiarato può anche essere usato come valutazione preliminare dell'esposizione.

Attenzione! Il valore delle emissioni di vibrazioni durante l'impiego effettivo dell'elettroutensile può variare da quello dichiarato a seconda delle modalità d'uso. Il livello delle vibrazioni può aumentare oltre quello dichiarato.

Quando si valuta l'esposizione alle vibrazioni per determinare le misure di sicurezza richieste, in conformità alla normativa 2002/44/CE e destinata alla protezione delle persone che usano regolarmente gli elettrotensili nello svolgimento delle proprie mansioni, è necessario prendere in considerazione le condizioni effettive di utilizzo e il modo in cui l'utensile è usato, oltre a tenere in conto tutte le componenti del ciclo operativo, vale a dire i periodi in cui l'elettrotensile è spento, quelli in cui è acceso, ma a riposo e quelli in cui è effettivamente utilizzato.

Potatura

Prima di iniziare la potatura di un albero, assicurarsi che le leggi e i regolamenti non proibiscano o controllino l'abbattimento di un albero.

- Essere consapevoli della direzione in cui un ramo può cadere. Tenere conto di tutto ciò che può influire sulla direzione di caduta, tra cui:
 - la lunghezza e il peso del ramo da tagliare
 - la direzione di caduta desiderata
 - l'eventuale peso insolito del ramo e la possibilità che questo sia secco o marcio
 - la presenza, nei dintorni, di alberi e ostacoli,
 - comprese le linee elettriche aeree
 - l'intreccio con altri rami
 - la velocità e direzione del vento.
- Valutare come raggiungere il ramo principale. È probabile che i rami oscillino verso il tronco. Oltre a chi sta usando il potatore, anche eventuali osservatori, edifici o oggetti che si trovano al di sotto rischiano di essere colpiti dal ramo.

Sicurezza altrui

- Questo elettrotensile non è stato progettato per impiego da parte di persone (o bambini) portatrici di handicap fisici, psichici o sensoriali o che non abbiano la dovuta esperienza o conoscenza, a meno che non siano seguite o opportunamente istruite sul suo utilizzo da parte di una persona responsabile della loro sicurezza.
- Controllare che i bambini non giochino con l'elettrotensile.

Simboli di avviso

Sull'elettrotensile sono presenti i seguenti simboli di avvertimento:



Attenzione! Per ridurre il rischio di infortuni, l'utente deve leggere il manuale d'uso.



Non usare l'elettrotensile in ambienti soggetti a umidità e non esporlo alla pioggia.



Indossare sempre un casco e occhiali di sicurezza e otoprotezioni.



Indossare scarpe di sicurezza antis-civolo.



Fare attenzione alla caduta di oggetti. Mantenere distanti eventuali osservatori.



Pericolo di elettrocuzione. Tenersi ad almeno 10 m dalle linee elettriche aeree.



Per garantire sempre un funzionamento sicuro, controllare, dopo ogni 10 minuti di utilizzo, la tensione della catena come descritto nel presente manuale e regolarla di nuovo su di un gioco di 3 mm se necessario. Lubrificare la catena ogni 10 minuti di utilizzo.



Direzione di rotazione della catena.



Attenzione! Non toccare la catena in prossimità del punto di espulsione dei trucioli.

Altre istruzioni di sicurezza per batterie e alimentatori

Batterie

- Non tentare di aprirle per qualsiasi ragione.
- Non lasciare che la batteria si bagni.
- Non esporre la batteria al calore.
- Non riporre in luoghi dove la temperatura potrebbe superare i 40 °C.
- Caricare solo a temperature ambiente tra 10 °C e 40 °C.
- Caricare solo usando l'alimentatore fornito con l'apparecchio/elettrotensile. L'utilizzo dell'alimentatore sbagliato potrebbe causare scosse elettriche o il surriscaldamento della batteria.
- Quando si smaltiscono le batterie, seguire le istruzioni riportate al capitolo "Protezione dell'ambiente".

- Non danneggiare/deformare il battery pack forandolo o colpendolo per evitare il rischio di lesioni o di incendio. Non caricare le batterie danneggiate.
- In condizioni estreme, si potrebbe verificare la perdita di liquido dalle batterie. Se si nota la presenza di liquido sulle batterie, pulirle con attenzione con uno straccio. Evitare il contatto con l'epidermide.
- In caso di contatto con l'epidermide o gli occhi, seguire le istruzioni riportate di seguito.

Attenzione! Il liquido della batteria può causare lesioni alle persone o danni alle cose. In caso di contatto con la pelle, risciacquare immediatamente con acqua. In caso di rossore, dolore o irritazione, rivolgersi immediatamente a un medico. In caso di contatto con gli occhi, risciacquarli immediatamente con acqua pulita e consultare un medico.

Alimentatori

L'alimentatore è stato progettato per una tensione specifica. Controllare sempre che la tensione di rete corrisponda alla tensione indicata sulla targhetta dei dati tecnici.

Attenzione! Non tentare mai di sostituire l'alimentatore con una normale spina elettrica.

- Usare l'alimentatore Black & Decker solo per caricare la batteria nell'apparecchio/elettrotensile con il quale è stato fornito. Altre batterie potrebbero scoppiare causando lesioni alle persone e danni.
- Non tentare mai di caricare batterie non ricaricabili.
- In caso di danneggiamento del filo di alimentazione, è necessario farlo riparare dal fabbricante o presso un centro assistenza Black & Decker autorizzato in modo da evitare eventuali pericoli.
- Non lasciare che l'alimentatore si bagni.
- Non aprire l'alimentatore.
- Non collegare l'alimentatore a sonde.
- L'apparecchio/elettrotensile/batteria devono essere lasciati in una zona ben ventilata durante la carica.

Etichette sull'alimentatore

Sull'alimentatore sono presenti i seguenti simboli:



L'alimentatore può solo essere usato all'interno



Leggere il presente manuale d'uso prima dell'impiego.



L'alimentatore si spegne automaticamente se la temperatura ambiente aumenta eccessivamente. Non appena la temperatura ambiente diminuisce, l'alimentatore riprende a funzionare.



Caricare solo a temperature ambiente tra 10 °C e 40 °C.

Sicurezza elettrica



Il doppio isolamento di cui è provvisto l'alimentatore rende superfluo il filo di terra. Controllare sempre che la tensione di rete corrisponda alla tensione indicata sulla targhetta dei dati tecnici. Non tentare mai di sostituire l'alimentatore con una normale spina elettrica.

Panoramica

1. Interruttore di accensione
2. Pulsante di sbloccaggio
3. Impugnatura principale
4. Testa sega
5. Copri rocchetto
6. Barra di guida
7. Catena
8. Guaina catena
9. Flacone per lubrificazione
10. Tubo rigido di prolunga
11. Batteria

Fig. A

12. Alimentatore

Montaggio

Attenzione! Prima dell'assemblaggio, estrarre la batteria dall'elettrotensile.

Montaggio e rimozione della batteria (fig. B)

- Per montare la batteria(11), allinearla all'apposito vano sull'elettrotensile. Infilare la batteria nell'apposito vano e calzarla fino a quando si aggancia in sede.
- Per estrarre la batteria, premere il pulsante di rilascio (13) estraendo al tempo stesso la batteria dall'apposito vano.

Attenzione! Per evitare l'azionamento involontario, accertarsi di aver estratto la batteria e di aver montato la guaina sulla catena prima di eseguire gli interventi descritti di seguito. In caso contrario si potrebbero subire o causare lesioni gravi.

Montaggio della testa della sega (fig. C)

La testa della sega può essere montata direttamente sull'impugnatura per ottenere il normale campo di azione.

- Allineare la scanalatura sull'esterno del lato di accoppiamento dell'impugnatura (3) alla linguetta sull'interno del lato di accoppiamento della testa della sega (4). Calzare la testa della sega (4) sull'impugnatura (3).
- Far scorrere verso il basso il collare (14) e ruotarlo in senso orario fino a serrarlo completamente.

Attenzione! Controllare periodicamente i collegamenti per verificare che siano sempre ben serrati.

Estensione della testa della sega (fig. D)

È possibile ottenere il campo di azione massimo montando il tubo di prolunga (10) tra la testa della sega (4) e l'impugnatura (3).

- Allineare la scanalatura sull'esterno del lato di accoppiamento dell'impugnatura (3) alla linguetta sull'interno del lato di accoppiamento del tubo di prolunga (10).
- Calzare il tubo di prolunga (10) sull'impugnatura (3).
- Far scorrere verso il basso il collare (15) e ruotarlo in senso orario fino a serrarlo completamente.
- Allineare la scanalatura sull'esterno del lato di accoppiamento del tubo di prolunga (10) alla linguetta sull'interno del lato di accoppiamento della testa della sega (4).
- Calzare la testa della sega (4) sul tubo di prolunga (10).
- Far scorrere verso il basso il collare (14) e ruotarlo in senso orario fino a serrarlo completamente.

Attenzione! Controllare periodicamente i collegamenti per verificare che siano sempre ben serrati.

Smontaggio della testa della sega (figg. C e D)

Se il tubo di prolunga (10) è montato, è necessario togliere per prima cosa la testa della sega.

- Per smontare la testa della sega (4), appoggiare a terra l'impugnatura (3), allentare il collare (14) e staccare la testa della sega.

Utilizzo

Attenzione! Lasciare che l'elettrotensile funzioni al suo ritmo. Non sovraccaricarlo.

Carica della batteria (fig. A)

La batteria deve essere caricata prima dell'impiego iniziale e quando non eroga una potenza sufficiente per lavori che prima era possibile eseguire facilmente. Quando si carica la batteria per la prima volta o dopo un lungo periodo di inutilizzo, è possibile caricarla solo dell'80%.

Dopo vari cicli di carica e scarica, la batteria raggiungerà la massima capacità. Durante la carica la batteria potrebbe riscaldarsi. Si tratta di un fatto normale che non indica che vi è un problema.

Attenzione! Non caricare la batteria a temperature ambiente inferiori a 10 °C o superiori a 40 °C. Temperatura di carica consigliata: 24 °C circa.

- To charge the battery (11), remove it from the tool and insert it into the charger (12). The battery will only fit into the charger in one way. Do not force. Be sure that the battery is fully seated in the charger.
- Collegare l'alimentatore.

Alimentatore da 8 ore

La batteria si caricherà completamente in 8 ore circa e può essere estratta quando lo si vuole o essere lasciata indefinitamente nell'alimentatore collegato alla presa elettrica.

Accensione e spegnimento (fig. E)

Questo elettrotensile è dotato di un sistema a doppio interruttore per la sicurezza dell'operatore. Tale sistema impedisce l'avvio indesiderato dell'elettrotensile.

Accensione

- Spingere indietro il pulsante di sicurezza (2) con il pollice premendo contemporaneamente l'interruttore di accensione (1).
- Rilasciare il pulsante di sicurezza (2).

Spegnimento

- Rilasciare l'interruttore di accensione (1).

Attenzione! Non tentare mai di bloccare un interruttore su acceso.

Potatura (fig. F)

- Assicurarsi che l'elettrotensile funzioni alla massima velocità prima di iniziare un taglio.
- Mantenere saldamente in posizione l'elettrotensile evitandone i possibili rimbalzi o movimenti laterali.
- Guidare l'elettrotensile attraverso il ramo esercitando una leggera pressione. Quando si tagliano dei rami pesanti, dove un taglio parziale potrebbe scheggiare e danneggiare l'albero, procedere come descritto di seguito.
 - Praticare il primo taglio a 15 cm dal ronco dell'albero sulla parte inferiore del ramo principale. Usare la parte superiore della barra di guida (7) per praticare questo taglio.
 - Tagliare un terzo del diametro del ramo principale. Quindi tagliare dall'alto verso il basso.

Pulitura, manutenzione e conservazione

Questo apparecchio/elettrotensile Black & Decker con o senza filo è stato progettato per funzionare a lungo con una manutenzione minima.

Per ottenere prestazioni sempre soddisfacenti occorre avere cura dell'elettrotensile e sottoporlo a pulizia periodica.

Attenzione! Prima di eseguire interventi di manutenzione su elettrotensili con o senza filo procedere come descritto di seguito.

- Spegnerne e scollegare l'apparecchio/elettrotensile
- Oppure spegnere ed estrarre la batteria se l'apparecchio/elettrotensile è dotato di battery pack a parte
- O scaricare completamente la batteria se è di tipo integrale e quindi spegnere l'elettrotensile
- Scollegare l'alimentatore prima di pulirlo. L'alimentatore non richiede nessuna manutenzione salvo una regolare pulizia.

Pulire regolarmente le prese di ventilazione dell'apparecchio/elettrotensile/alimentatore con un pennello o con un panno morbido e asciutto. Il vano del motore deve essere pulito regolarmente con un panno umido. Non usare materiali abrasivi o detergenti a base di solventi. Aprire regolarmente il mandrino e batterlo leggermente per eliminare la polvere dall'interno (se in dotazione).

Dopo l'impiego e prima di riporre l'elettrotensile

- Pulire regolarmente le feritoie di ventilazione con un pennello pulito e asciutto.
- Per pulire l'elettrotensile, utilizzare solamente sapone neutro e un panno umido. Evitare la penetrazione di liquidi all'interno dell'elettrotensile e non immergere mai nessuna parte dello stesso in un liquido.
- Eliminare i trucioli con una spazzola rigida.
- Lubrificare la catena con olio.

Montaggio e rimozione della catena (figg. G e H)

Attenzione! Indossare sempre guanti di protezione per l'installazione e la rimozione della catena. La catena è affilata e può causare ferite da taglio anche da ferma.

- Appoggiare l'elettrotensile su una superficie stabile e rigida.
- Allentare le viti Allen (16) usando la chiave Allen fornita. Svitare le viti.
- Togliere il copri rocchetto (5) e il morsetto della barra (17).
- Ruotare la vite (18) in senso antiorario per consentire alla barra di guida (6) di retrocedere e di ridurre la tensione sulla catena (7).
- Estrarre la vecchia catena dal rocchetto (19) e dalla barra di guida (6).
- Infilare la nuova catena nella gola della barra di guida e attorno al rocchetto. Accertarsi che i denti siano rivolti nella direzione corretta abbinando la freccia sulla catena a quella sull'alloggiamento.
- Accertarsi che la fessura (20) nella barra di guida sia sopra le spine di centraggio (21) e che il foro (22) sotto la fessura sia situato sopra la spina di regolazione (23).
- Rimontare il copri rocchetto (5), il morsetto della barra (17) e le viti (16).
- Serrare le viti (16) usando la chiave Allen fornita.
- Regolare la tensione della catena come descritto di seguito.

Onde garantire un funzionamento sicuro, la catena e la barra di guida devono essere sostituite solo con ricambi originali Black & Decker. Numero di parte della catena di ricambio: A6158; numero di parte della barra di guida: 623381-00.

Controllo e regolazione della tensione della catena (fig. G)

- Controllare la tensione della catena. La tensione è corretta quando la catena (7) si tende di nuovo dopo essere stata allontanata di 3 mm dalla relativa barra con una leggera pressione dell'indice e del pollice. Non devono esservi cedimenti sul lato inferiore tra la barra di guida (6) e la catena (7).

Regolazione della tensione:

- Allentare le viti (16).
- Ruotare la vite (18) in senso orario.

Attenzione! Non tendere eccessivamente la catena: ciò causa un logorio eccessivo e abbrevia la vita della barra di guida e della catena stessa.

- Quando la tensione della catena è corretta, serrare le viti (18).

Attenzione! Quando la catena è nuova, controllarne la tensione frequentemente nel corso delle due prime ore di impiego, dato che le catene nuove cedono leggermente.

Lubrificazione della catena

La catena deve essere oliata prima di ciascun impiego e dopo la pulitura usando solo olio di tipo corretto (n. cat. A6027).

- Oliare uniformemente l'intera catena (7) per mezzo dell'oliatore (9).

Conservazione

Se l'elettrotensile non deve essere usato per parecchi mesi, si consiglia di lasciare la batteria collegata all'alimentatore.

Altrimenti eseguire gli interventi descritti di seguito.

- Caricare completamente la batteria.
- Estrarre la batteria dall'elettrotensile.
- Conservare l'elettrotensile e la batteria in un posto sicuro e asciutto.
- La temperatura di conservazione deve rimanere sempre nell'intervallo tra + 10 °C e + 40 °C. Appoggiare la batteria in piano.
- Prima di usare l'elettrotensile dopo un lungo periodo di inutilizzo, caricare di nuovo, completamente, la batteria.

Protezione dell'ambiente



Raccolta differenziata. Questo prodotto non deve essere smaltito con i normali rifiuti domestici.

Nel caso in cui l'elettrotensile Black & Decker debba essere sostituito o non sia più necessario, non smaltirlo con i normali rifiuti domestici. Metterlo da parte per la raccolta differenziata.



La raccolta differenziata dei prodotti e degli imballaggi utilizzati consente il riciclaggio dei materiali e il loro continuo utilizzo. Il riutilizzo dei materiali riciclati favorisce la protezione dell'ambiente prevenendo l'inquinamento e riduce il fabbisogno di materie prime.

Seguire la regolamentazione locale per la raccolta differenziata dei prodotti elettrici che può prevedere punti di raccolta o la consegna dell'elettrotensile al rivenditore presso il quale viene acquistato un nuovo prodotto.

Black & Decker offre ai propri clienti la possibilità di riciclare i prodotti Black & Decker che hanno esaurito la loro vita di servizio. Per usufruire di tale servizio, è sufficiente restituire il prodotto a qualsiasi tecnico autorizzato, incaricato della raccolta per conto dell'azienda.

Per individuare il tecnico autorizzato più vicino, rivolgersi alla sede Black & Decker locale, presso il recapito indicato nel presente manuale. Altrimenti, un elenco completo di tutti i tecnici autorizzati Black & Decker e i dettagli completi sui contatti e i servizi post-vendita sono disponibili su Internet all'indirizzo:

www.2helpU.com

Batterie



Alla fine della loro vita utile, smaltire le batterie in conformità alle norme ambientali.

- Non cortocircuitare i terminali della batteria.
- Non smaltire le batterie bruciandole dato che si potrebbe causare un'esplosione.
- Scaricare completamente la batteria e toglierla dall'elettrotensile.
- Le batterie sono riciclabili. Imballare la batteria o le batterie in modo idoneo per evitare che i terminali possano essere cortocircuitati. Portarle presso un tecnico autorizzato o il centro di riciclaggio di zona.

Dati tecnici

		GPC1800 (H2) GPC1800P (H2)	
Tensione	V _{DC}	18	
Velocità catena senza carico	m/min	114	
Peso	kg	3,5	
Lunghezza di taglio max	cm	17	

Batteria		A18	A1718
Tensione	V _{DC}	18	18
Capacità	A/h	1.5	1.7
Tipo di batteria	kg	NiCd	NiCd

Alimentatore		9050084*	
Tensione di rete	V _{AC}	230 - 240V	
Tensione di uscita	V _{DC}	21.75	
Amperaggio	A	210	
Tempo di carica approssimativo	h	8	

Livello di potenza acustica misurato in base a EN ISO 3744: LWA = 98 dB(A), incertezza (K) = 3 dB(A)

Livello di pressione sonora misurato in base a EN ISO 11203: LPA = 78 dB(A), incertezza (K) = 3 dB(A)

Valori totali vibrazioni (somma vettoriale triassiale) determinati in base alla normativa EN 60745			
Taglio del legno	Valore emissioni vibrazioni A/h=	<2,5	m/s ²
	Incertezza K = ... m/s ²	<1,5	m/s ²

CE - Dichiarazione di conformità

DIRETTIVA SUI MACCHINARI



GPC1800, GPC1800P

Black & Decker dichiara che i prodotti descritti al paragrafo "Dati tecnici" sono conformi alle seguenti normative:

2006/42/CE, EN60745-1,

Questi prodotti sono inoltre conformi alla Direttiva 2004/108/CE. Per ulteriori informazioni contattare Black & Decker al seguente indirizzo oppure consultare l'ultima di copertina del manuale.

Il sottoscritto è responsabile della redazione di questo documento tecnico e rilascia questa dichiarazione per conto di Black&Decker.

Kevin Hewitt
Vice-President Global Engineering
Black & Decker Europe, 210 Bath Road, Slough,
Berkshire, SL1 3YD
Regno Unito
12/04/2012

Garanzia

Certa della qualità dei suoi prodotti, Black & Decker offre una garanzia eccezionale. Il presente certificato di garanzia è complementare ai diritti legali e non li pregiudica in alcun modo.

La garanzia è valida entro il territorio degli Stati membri dell'Unione Europea e dell'EFTA (European Free Trade Area).

Se un prodotto Black & Decker risulta difettoso per qualità del materiale, della costruzione o per mancata conformità entro 24 mesi dalla data di acquisto, Black & Decker garantisce la sostituzione delle parti difettose, provvede alla riparazione dei prodotti se ragionevolmente usurati oppure alla loro sostituzione, in modo da ridurre al minimo il disagio del cliente a meno che:

- il prodotto non sia stato destinato a usi commerciali, professionali o al noleggio;
- il prodotto non sia stato usato in modo improprio o scorretto;
- il prodotto non abbia subito danni causati da oggetti o sostanze estranee oppure incidenti;
- il prodotto non abbia subito tentativi di riparazione non effettuati da tecnici autorizzati né dall'assistenza Black & Decker.

Per attivare la garanzia è necessario esibire la prova di acquisto al venditore o al tecnico autorizzato. Per individuare il tecnico autorizzato più vicino, rivolgersi alla sede Black & Decker locale, presso il recapito indicato nel presente manuale. Altrimenti, un elenco completo di tutti i tecnici autorizzati Black & Decker e i dettagli completi sui contatti e i servizi post-vendita sono disponibili su Internet all'indirizzo:

www.2helpU.com

I clienti che desiderano registrare il nuovo prodotto Black & Decker e ricevere gli aggiornamenti sui nuovi prodotti e le offerte speciali, sono invitati a visitare il sito web www.blackanddecker.it. Ulteriori informazioni sul marchio e la gamma di prodotti Black & Decker sono disponibili all'indirizzo:

www.blackanddecker.it

Beoogd gebruik

De snoerloze takkenzaag van Black & Decker is ontworpen voor het snoeien van bomen. Dit gereedschap is uitsluitend bestemd voor consumentengebruik.

De lader van Black & Decker is bedoeld voor het opladen van Black & Decker-accu's van het type dat bij dit gereedschap is geleverd.

Veiligheidsinstructies

Algemene veiligheidswaarschuwingen voor elektrisch gereedschap



Waarschuwing! Lees alle veiligheids-
waarschuwingen en alle instructies.
Wanneer de onderstaande waarschu-
wingen en instructies niet in acht
worden genomen, kan dit een elek-
trische schok, brand en/of ernstig letsel
tot gevolg hebben.

Bewaar alle waarschuwingen en instructies als referentiemateriaal.

Het hierna gebruikte begrip 'elektrisch gereed-
schap' heeft betrekking op elektrische gereed-
schappen voor gebruik op de netspanning (met
netsnoer) of op een accu (snoerloos).

Veilige werkomgeving

- **Houd uw werkomgeving schoon en goed verlicht.** Een rommelige of onverlichte werkruimte kan tot ongevallen leiden.
- **Gebruik elektrisch gereedschap niet in een omgeving met explosiegevaar, zoals in de nabijheid van brandbare vloeistoffen, gassen of stof.** Elektrisch gereedschap veroorzaakt vonken die het stof of de dampen tot ontsteking kunnen brengen.
- **Houd kinderen en andere personen tijdens het gebruik van elektrisch gereedschap uit de buurt.** Wanneer u wordt afgeleid, kunt u de controle over het gereedschap verliezen.

Elektrische veiligheid

- **De netstekker van het gereedschap moet in het stopcontact passen. De stekker mag in geen geval worden omgebouwd. Gebruik geen adapterstekkers in combinatie met geaarde gereedschappen.** Niet-omgebouwde stekkers en passende stopcontacten beperken het risico van een elektrische schok.

- **Vermijd aanraking van het lichaam met geaarde oppervlakken, bijvoorbeeld buizen, verwarmingen, fornuizen en koelkasten.** Er bestaat een verhoogd risico op een elektrische schok wanneer uw lichaam geaard is.
- **Houd het gereedschap uit de buurt van regen en vocht.** Het binnendringen van water in het elektrische gereedschap vergroot het risico van een elektrische schok.
- **Gebruik het snoer niet voor een verkeerd doel. Gebruik het snoer niet om het gereedschap te dragen of op te hangen of om de stekker uit het stopcontact te trekken.** Houd het snoer uit de buurt van hitte, olie, scherpe randen of bewegende delen. Beschadigde of in de war geraakte snoeren vergroten het risico van een elektrische schok.
- **Wanneer u buitenshuis met elektrisch gereedschap werkt, dient u alleen verlengsnoeren te gebruiken die zijn goedgekeurd voor gebruik buitenshuis.** Het gebruik van een verlengsnoer dat geschikt is voor gebruik buitenshuis, beperkt het risico van een elektrische schok.
- **Als u een elektrisch gereedschap moet gebruiken in een vochtige locatie, moet u een reststroomschakelaar (RCD) gebruiken.** Met een aardlekschakelaar wordt het risico van een elektrische schok verkleind.

Veiligheid van personen

- **Wees alert, let goed op wat u doet en ga met verstand te werk bij het gebruik van elektrische gereedschappen. Gebruik elektrisch gereedschap niet wanneer u moebent of onder invloed van drugs, alcohol of medicijnen.** Een moment van onoplettendheid bij het gebruik van het gereedschap kan leiden tot ernstige verwondingen.
- **Draag een persoonlijke beschermende uitrusting.** Draag altijd een veiligheidsbril. Het dragen van een persoonlijke beschermende uitrusting zoals een stofmasker, slipvasteschoenen, een veiligheidshelm of gehoorbescherming, afhankelijk van de aard en het gebruik van het elektrische gereedschap, vermindert het risico van verwondingen.

- **Voorkom per ongeluk inschakelen. Controleer of de schakelaar in de uit-stand staat voordat u het gereedschap aansluit op het stopcontact en/of de accu en voordat u het gereedschap optilt of gaat dragen.** Wanneer u bij het dragen van het gereedschap uw vinger op de schakelaar houdt of wanneer u het gereedschap per ongeluk inschakelt, kan dat leiden tot ongevallen.
- **Verwijder instelgereedschappen of schroefsleutels voordat u het gereedschap inschakelt.** Een instelgereedschap of sleutel in een draaiend deel van het gereedschap kan tot verwondingen leiden.
- **Reik niet te ver. Zorg er altijd voor dat u stevig staat en in evenwicht blijft.** Daardoor kunt u het gereedschap in onverwachte situaties beter onder controle houden.
- **Draag geschikte kleding. Draag geen loshangende kleding of sieraden. Houd haren, kleding en handschoenen uit de buurt van bewegende delen.** Loshangende kleding, sieraden en lange haren kunnen door bewegende delen worden meegenomen.
- **Wanneer stofafzuigings- of stofopvangvoorzieningen kunnen worden gemonteerd, dient u zich ervan te verzekeren dat deze zijn aangesloten en juist worden gebruikt.** Het gebruik van stofopvangvoorzieningen beperkt het gevaar door stof.
- **Bewaar niet-gebruikte elektrische gereedschappen buiten bereik van kinderen. Laat het gereedschap niet gebruiken door personen die er niet vertrouwd mee zijn en deze aanwijzingen niet hebben gelezen.** Elektrische gereedschappen zijn gevaarlijk wanneer deze door onervaren personen worden gebruikt.
- **Verzorg het gereedschap zorgvuldig. Controleer of bewegende delen van het gereedschap correct functioneren en niet klemmen, en of er onderdelen zodanig zijn gebroken of beschadigd dat de werking van het gereedschap nadelig wordt beïnvloed.** Laat beschadigde delen repareren voordat u het gereedschap gebruikt. Veel ongevallen worden veroorzaakt door slecht onderhouden elektrische gereedschappen.
- **Houd snijdende inzetgereedschappen scherp en schoon.** Zorgvuldig onderhouden snijdende inzetgereedschappen met scherpe snijkanten klemmen minder snel vast en zijn gemakkelijker te geleiden.
- **Gebruik elektrische gereedschappen, toebehoren, inzetgereedschappen en dergelijke volgens deze aanwijzingen. Let daarbij op de werkomstandigheden en de uit te voeren werkzaamheden.** Het gebruik van elektrische gereedschappen voor andere dan de voorziene toepassingen kan leiden tot gevaarlijke situaties.

Gebruik en onderhoud van elektrisch gereedschap

- **Overbelast het gereedschap niet. Gebruik het geschikte elektrische gereedschap voor uw toepassing.** Met het geschikte elektrische gereedschap werkt u beter en veiliger binnen het aangegeven capaciteitsbereik.
- **Gebruik geen elektrisch gereedschap waarvan de schakelaar defect is.** Elektrisch gereedschap dat niet meer kan worden in- of uitgeschakeld, is gevaarlijk en moet worden gerepareerd.
- **Trek de stekker uit het stopcontact en/of verwijder de accu uit het elektrisch gereedschap voordat u het gereedschap instelt, toebehoren wisselt of het gereedschap opbergt.** Met deze voorzorgsmaatregel voorkomt u onbedoeld starten van het gereedschap.

Gebruik en onderhoud van snoerloos elektrisch gereedschap

- **Laad accu's alleen op met de door de fabrikant aanbevolen lader.** Een lader die geschikt is voor een bepaald type accu, kan brandgevaar opleveren wanneer deze in combinatie met andere accu's wordt gebruikt.
- **Gebruik elektrisch gereedschap alleen in combinatie met specifiek vermelde accu's.** Het gebruik van andere accu's kan gevaar voor letsel en brand opleveren.
- **Houd accu's die niet worden gebruikt uit de buurt van andere metalen voorwerpen, zoals paperclips, munten, spijkers, schroeven of andere kleine metalen voorwerpen die een verbinding van de ene pool naar de andere tot stand kunnen brengen.** Als kortsluiting tussen de polen van de accu's wordt gemaakt, kunnen brandwonden of brand worden veroorzaakt.

- **Onder extreme omstandigheden kan er vloeistof uit de accu spuiten. Vermijd contact. Indien onbedoeld contact plaatsvindt, spoelt u met water.** Als vloeistof in aanraking komt met ogen, raadpleegt u bovendien uw huisarts. Vloeistof die uit de accu spuit, kan irritatie of brandwonden veroorzaken.

Service

- **Laat het gereedschap alleen repareren door gekwalificeerd en vakkundig personeel en alleen met originele vervangingsonderdelen. Daarmee wordt de veiligheid van het gereedschap gewaarborgd.**

Aanvullende veiligheidsinstructies voor takkenzagen

In deze instructiehandleiding wordt ingegaan op het beoogde gebruik. De takkenzaag mag niet worden gebruikt voor andere doeleinden dan waarvoor deze is bestemd. Het apparaat mag daarom bijvoorbeeld niet worden gebruikt voor het vellen van bomen. Het gebruik van andere accessoires of hulpstukken dan wel de uitvoering van andere handelingen dan in deze gebruikershandleiding worden aanbevolen, kan tot persoonlijk letsel leiden.

- Draag nauwsluitende en beschermende kleding, en tevens een veiligheidshelm met beschermglas of een beschermbril, anti-slip veiligheidsschoeisel, beschermbroek en stevige lederen handschoenen.
- Zorg dat u buiten de baan blijft van vallende takken.
- De veilige afstand tussen een tak die wordt afgesnoeid en omstanders, gebouwen en andere objecten is ten minste 2 1/2 keer de lengte van de tak. Een omstander, gebouw of object binnen deze afstand loopt het risico door de vallende tak te worden geraakt.
- Plan van tevoren een veilige uitweg, uit de buurt van vallende bomen of takken. Zorg dat de vluchtweg vrij is van obstakels die u zouden kunnen hinderen. Bedenk dat nat gras en vers gezaagde boomschors glad zijn.
- Zorg dat er iemand in de buurt (maar op veilige afstand) is voor het geval er zich een ongeluk voordoet.
- Gebruik het gereedschap niet als u in een boom, op een ladder of op een ander onstabiel oppervlak staat.
- Zorg er altijd voor dat u stevig staat en in evenwicht blijft.

- Houd het gereedschap stevig met beide handen vast als de motor draait.
- Zorg dat het uiteinde van het zwaard nergens mee in aanraking komt als de zaagketting draait.
- Zaag uitsluitend met de ketting draaiend op volle snelheid.
- Steek de zaag niet in een vorige zaagsnede. Maak altijd een nieuwe zaagsnede.
- Wees bedacht op bewegende takken of andere krachten die de zaagsnede kunnen dichtknijpen of met de ketting in aanraking kunnen komen.
- Zaag geen takken af waarvan de diameter groter is dan de zaaglengte van de kettingzaag.
- Verwijder de accu altijd van de machine en plaats de kettingbeschermer over de ketting wanneer het apparaat wordt opgeborgen of vervoerd.
- Zorg dat de ketting geslepen en op de juiste spanning blijft. Controleer regelmatig de kettingspanning.
- Schakel het apparaat uit, laat de ketting tot stilstand komen en verwijder de accu uit het apparaat voordat u het apparaat gaat instellen, reinigen of onderhouden.
- Gebruik uitsluitend de juiste, voor het apparaat bestemde reserveonderdelen en accessoires.
- Houd de takkenzaag bij de handgreep vast terwijl het snijblad stilstaat. U mag de zaag pas vervoeren of opbergen nadat u de omslag voor het snijapparaat hebt geplaatst en de losse onderdelen hebt verwijderd. Wanneer de takkenzaag op de juiste manier wordt behandeld, verkleint u de kans op persoonlijk letsel en letsel van anderen.

Overige risico's

Er kunnen zich tijdens het gebruik van het gereedschap ook andere risico's voordoen die misschien niet in de bijgevoegde veiligheidswaarschuwingen worden vermeld. Deze risico's kunnen zich voordoen als gevolg van onoordeelkundig gebruik, langdurig gebruik, enz.

Zelfs als de veiligheidsvoorschriften in acht worden genomen en de veiligheidsvoorzieningen worden geïmplementeerd, kunnen bepaalde risico's niet worden vermeden. Deze omvatten:

- Verwondingen die worden veroorzaakt door het aanraken van draaiende of bewegende onderdelen.
- Verwondingen die worden veroorzaakt bij het vervangen van onderdelen, bladen of accessoires.

- Verwondingen die worden veroorzaakt door langdurig gebruik van het gereedschap. Als u langere periodes met het gereedschap werkt, is het raadzaam om regelmatig een pauze in te lassen.
- Gehoorbeschadiging.
- Gezondheidsrisico's als gevolg van het inademen van stof dat door gebruik van het gereedschap wordt veroorzaakt (bijvoorbeeld tijdens het werken met hout, vooral eiken, beuken en MDF.)

Trillingen

De aangegeven waarden voor trillingsemissie in de technische gegevens en de conformiteitsverklaring zijn gemeten conform een standaardtestmethode die door EN 60745 wordt geboden. Hiermee kan het ene gereedschap met het andere worden vergeleken. De aangegeven waarde voor trillingsemissie kan ook worden gebruikt bij een voorlopige bepaling van blootstelling.

Waarschuwing! De waarde voor trillingsemissie tijdens het werkelijke gebruik van het gereedschap kan verschillen van de aangegeven waarde afhankelijk van de manieren waarop het gereedschap wordt gebruikt. Het trillingsniveau kan hoger worden dan het aangegeven niveau.

Wanneer de blootstelling aan trillingen wordt vastgesteld teneinde veiligheidsmaatregelen te bepalen die worden vereist door 2002/44/EC ter bescherming van personen die tijdens hun werk regelmatig elektrische gereedschappen gebruiken, moet bij een schatting van de blootstelling aan trillingen rekening worden gehouden met de werkelijke omstandigheden van het gebruik en de manier waarop het gereedschap wordt gebruikt. Daarbij moet ook rekening worden gehouden met alle stappen in de gebruikscyclus, zoals het moment waarop het gereedschap wordt uitgeschakeld en wanneer het gereedschap stationair loopt alsook de aanlooptijd.

Snoeien

Controleer voordat u gaat snoeien of er geen wetten of voorschriften zijn die het vellen van de boom verbieden.

- Wees u bewust van de waarschijnlijke valrichting van takken. Houd rekening met alle factoren die de valrichting kunnen beïnvloeden, zoals:
 - de lengte en het gewicht van de te zagen tak
 - de beoogde valrichting
 - een verdikking of rotte plek

- de aanwezigheid van andere bomen of obstakels
- bovengrondse kabels
- vervlechtingen van de tak met andere takken
- de richting en kracht van de wind
- Houd rekening met de toegankelijkheid van de tak.

Takken hebben de neiging om naar de boomstam te zwaaien. U loopt niet alleen zelf het risico door de vallende tak te worden geraakt, maar ook omstanders, een gebouw of een voorwerp.

Veiligheid van anderen

- Dit apparaat mag niet worden gebruikt door personen (waaronder kinderen) met een lichamelijke of geestelijke beperking of die geen ervaring met of kennis van dit apparaat hebben, tenzij ze onder toezicht staan of instructies krijgen wat betreft het gebruik van het apparaat van een persoon die verantwoordelijk is voor hun veiligheid.
- Houd toezicht op kinderen om te voorkomen dat zij met het apparaat gaan spelen.

Waarschuwingssymbolen

Het gereedschap is voorzien van de volgende waarschuwingssymbolen:



Waarschuwing! De gebruiker moet de instructiehandleiding lezen om het risico op letsel te verminderen.



Gebruik het gereedschap niet in natte omstandigheden en stel het niet bloot aan regen.



Draag altijd hoofd- en oogbescherming.



Draag antislipschoeisel.



Wees bedacht op vallende voorwerpen. Houd omstanders uit de buurt.



Elektrocutiegevaar. Blijf minimaal 10 meter uit de buurt van bovengrondse kabels.

Voor een doorlopend veilig gebruik controleert u na elke 10 minuten gebruik de kettingspanning zoals beschreven in deze handleiding en stelt u de ketting opnieuw af op een speling van 3 mm, indien nodig. Smeer de ketting na elke tien minuten gebruik.



Draairichting van de ketting.



Waarschuwing! Raak de ketting niet aan bij de zaagselafvoer.

Aanvullende veiligheidsinstructies voor accu's en laders

Accu's

- Probeer accu's niet te openen, om welke reden ook.
- Stel de accu niet bloot aan water.
- Stel de accu niet bloot aan hitte.
- Bewaar deze niet op locaties met temperaturen van meer dan 40 °C.
- Laad de accu's alleen op bij een omgevingstemperatuur van 10-40 °C.
- Gebruik alleen de lader die bij het gereedschap/apparaat is geleverd. Het gebruik van de verkeerde lader kan een elektrische schok of oververhitting van de accu tot gevolg hebben.
- Gooi lege accu's weg volgens de instructies in het gedeelte "Milieu".
- De accubehuizing mag niet worden beschadigd of vervormd door er gaten in te laten komen of ertegen aan te stoten, aangezien dit kan leiden tot letsel of brand. Laad beschadigde accu's niet op.
- Onder extreme omstandigheden kunnen batterijen lekkages vertonen. Wanneer de accu nat of vochtig is, veegt u de vloeistof voorzichtig af met een doek. Vermijd huidcontact.
- Bij huid- of oogcontact volgt u de onderstaande instructies.

Waarschuwing! De accuvloeistof kan lichamelijk letsel of schade aan eigendommen veroorzaken. Bij huidcontact moet u de vloeistof direct afspoelen met water. Raadpleeg uw huisarts als er rode vlekken ontstaan of bij een pijnlijke of geïrriteerde huid. Bij oogcontact moet u de vloeistof direct afspoelen met water en uw huisarts raadplegen.

Laders

De lader is ontworpen voor een specifieke spanning. Controleer altijd of de netspanning overeenkomt met de waarde op het typeplaatje.

Waarschuwing! Probeer de lader nooit te vervangen door een normale netstekker.

- Gebruik de lader van Black & Decker alleen voor de accu in het gereedschap/apparaat waarbij de lader is bijgeleverd. Andere accu's kunnen exploderen met lichamelijk letsel en schade aan eigendommen als gevolg.
- Niet-laadbare accu's mogen nooit worden opgeladen.
- Als het netsnoer is beschadigd, moet dit worden vervangen door de fabrikant of een Black & Decker-servicecentrum om gevaren te voorkomen.
- Stel de lader niet bloot aan water.
- Open de lader niet.
- Prik nooit met een scherp voorwerp in de lader.
- Laad het apparaat/het gereedschap/de accu in een goed geventileerde locatie op.

Labels op de lader

Uw lader is voorzien van de volgende symbolen:



De lader is uitsluitend bestemd voor gebruik binnenshuis.



Lees voor gebruik deze gebruikershandleiding.



De lader wordt automatisch uitgeschakeld als de omgevingstemperatuur te ver oploopt. Wanneer de temperatuur is gedaald, wordt de lader automatisch weer ingeschakeld.



Laad de accu's alleen op bij een omgevingstemperatuur van 10-40 °C.

Elektrische veiligheid

De lader is dubbel geïsoleerd, zodat een aardaansluiting niet nodig is. Controleer altijd of de netspanning overeenkomt met de waarde op het typeplaatje. Probeer de lader nooit te vervangen door een normale netstekker.



Onderdelenoverzicht

1. Aan/uit-schakelaar
2. Ontgrendelingsknop
3. Handgreep
4. Zaagkop

5. Tandwielkap
6. Zwaard
7. Ketting
8. Beschermkap
9. Smeeroliereservoir
10. Verlengstuk
11. Accu

Fig. A

12. Lader

Montage

Waarschuwing! Verwijder de accu uit het gereedschap voordat u met de montage begint.

De accu plaatsen en verwijderen (fig. B)

- U plaatst de accu (11) door deze op één lijn te plaatsen met het contragedeelte op het gereedschap. Schuif de accu in het contragedeelte en duw totdat de accu vastklikt.
- Als u de accu wilt verwijderen, drukt u op de vergrendelingsknop (13) en trekt u tegelijkertijd de accu uit het contragedeelte.

Waarschuwing! Teneinde het apparaat niet onbedoeld in werking te stellen, moet u ervoor zorgen dat de accu is verwijderd en de beschermkap zich op de zaag bevindt voordat de volgende handelingen worden uitgevoerd. Als u dat niet doet, kan dat tot ernstig letsel leiden.

De zaagkop monteren (fig. C)

Als u de zaag zonder verlengstuk wilt gebruiken, kunt u de zaagkop rechtstreeks aan de handgreep bevestigen.

- Plaats de groeven aan de buitenzijde van het koppelstuk van de handgreep (3) in lijn met de uitstekende randen aan de binnenzijde van het koppelstuk van de zaagkop (4). Druk de zaagkop (4) in de handgreep (3).
- Schuif de opsluitring (14) naar beneden en draai de ring rechtsom stevig vast.

Waarschuwing! Controleer de verbindingen regelmatig om er zeker van te zijn dat ze goed vastzitten.

Het verlengstuk monteren (fig. D)

U kunt het bereik vergroten door het verlengstuk (10) te bevestigen tussen de zaagkop (4) en de handgreep (3).

- Plaats de groeven aan de buitenzijde van het koppelstuk van de handgreep (3) in lijn met de uitstekende randen aan de binnenzijde van het koppelstuk van het verlengstuk (10).

- Druk het verlengstuk (10) in de handgreep (3).
- Schuif de opsluitring (15) naar beneden en draai de ring rechtsom stevig vast.
- Plaats de groeven aan de buitenzijde van het koppelstuk van het verlengstuk (10) in lijn met de uitstekende randen aan de binnenzijde van het koppelstuk van de zaagkop (4).
- Druk de zaagkop (4) op het verlengstuk (10).
- Schuif de opsluitring (14) naar beneden en draai de ring rechtsom stevig vast.

Waarschuwing! Controleer de verbindingen regelmatig om er zeker van te zijn dat ze goed vastzitten.

De zaagkop verwijderen (fig. C en D)

Als het verlengstuk (10) is gemonteerd, moet u eerst de zaagkop verwijderen.

- Om de zaagkop (4) te verwijderen, legt u de handgreep (3) op de grond, draait u de opsluitring (14) los en verwijdert u de zaagkop.

Gebruik

Waarschuwing! Laat het gereedschap in zijn eigen tempo werken. Niet overbelasten.

De accu opladen (fig. A)

De accu moet vóór het eerste gebruik worden opgeladen en ook zodra deze niet meer voldoende vermogen levert voor taken die eerst gemakkelijk konden worden uitgevoerd. Wanneer u de accu voor de eerste keer oplaadt of na langdurige opslag, kan deze slechts voor 80% worden opgeladen.

Na een aantal laad- en ontladacycli bereikt de accu pas de volledige capaciteit. Tijdens het opladen kan de accu warm worden. Dit is normaal en duidt niet op een probleem.

Waarschuwing! Laad de accu niet op bij omgevingstemperaturen onder 10° C of boven 40° C. Aanbevolen laadtemperatuur: ongeveer 24 °C.

- Als u de accu (11) wilt opladen, verwijdert u deze uit het gereedschap en schuift u de accu in de lader (12). De accu past maar op één manier in de lader. Forceer de accu niet tijdens het aansluiten. Zorg ervoor dat de accu goed in de lader is geplaatst.
- Steek de stekker van de lader in het stopcontact.

Laadtijd van (8 uur)

De accu is na ongeveer 8 uur volledig opgeladen. De accu kan te allen tijde worden verwijderd of kan voor onbepaalde tijd in de aangesloten lader worden gelaten.

In- en uitschakelen (fig. E)

Om veiligheidsredenen is dit gereedschap voorzien van een dubbel schakelaarsysteem. Hierdoor wordt onbedoeld inschakelen van het gereedschap voorkomen.

Inschakelen

- Duw de ontgrendelingsknop (2) met uw duim naar achteren en druk tegelijkertijd op de aan- en uitschakelaar (1).
- Laat de ontgrendelingsknop (2) los.

Uitschakelen

- Laat de aan/uit-schakelaar (1) los.

Waarschuwing! Probeer nooit om een schakelaar in de ingeschakelde stand te vergrendelen.

Snoeien (fig. F)

- Zorg dat het gereedschap op volle snelheid draait voordat u een zaagsnede gaat maken.
- Houd het gereedschap stevig op zijn plaats om terugslaan of zijwaarts bewegen van het gereedschap te voorkomen.
- Oefen een lichte druk uit om het gereedschap te sturen. Wanneer u zware takken gaat zagen, kan een onvolledige zaagsnede versplintering en beschadiging van de boom tot gevolg hebben. Ga daarom als volgt te werk:
 - Maak de eerste zaagsnede 15 cm vanaf de boomstam aan de onderzijde van de tak. Gebruik de bovenzijde van het zwaard (7) voor deze snede.
 - Zaag de tak eenderde door. Zaag vervolgens vanaf de bovenzijde.

Reiniging, onderhoud en opbergen

Uw Black & Decker-gereedschap/apparaat (met netsnoer/snoerloos) is ontworpen om gedurende langere tijd te functioneren met een minimum aan onderhoud.

U kunt het gereedschap naar volle tevredenheid blijven gebruiken als u voor correct onderhoud zorgt en het gereedschap regelmatig schoonmaakt.

Waarschuwing! Doe altijd het volgende voordat u onderhouds- of reinigingswerkzaamheden aan het gereedschap (met snoer/snoerloos) uitvoert.

- Schakel het gereedschap/apparaat uit en trek de stekker uit het stopcontact.
- Als het gereedschap/apparaat een afzonderlijke accu heeft, schakelt u het gereedschap/apparaat uit en haalt u de accu eruit.
- Als de accu is ingebouwd, laat u deze volledig ontladen. Schakel dan het apparaat uit.
- Neem de lader uit het stopcontact voordat u deze schoonmaakt. Naast regelmatige reiniging vereist de lader geen onderhoud.

Reinig regelmatig de ventilatieopeningen van het gereedschap/apparaat/lader met een zachte borstel of droge doek.

Reinig de behuizing van de motor regelmatig met een vochtige doek. Gebruik geen schuur- of oplosmiddel.

Open regelmatig de spanknop en tik erop om eventueel stof uit het binnenste te verwijderen (indien van toepassing).

Na gebruik en voordat het gereedschap wordt opgeborgen

- Reinig de ventilatieopeningen regelmatig met een schone, droge kwast.
- Reinig het gereedschap uitsluitend met een milde reinigungsoplossing en een vochtige doek. Voorkom dat vloeistof het gereedschap binnendringt en dompel nooit enig onderdeel van het gereedschap in vloeistof onder.
- Verwijder afval met een harde borstel.
- Smeer de ketting met olie.

De zaagketting plaatsen en verwijderen (fig. G en H)

Waarschuwing! Draag altijd veiligheidshandschoenen bij het verwijderen of monteren van de zaagketting. De ketting is scherp en kan u ook verwonden als deze niet draait.

- Leg het gereedschap op een stevige en stabiele ondergrond.
- Draai de schroeven (16) los met de bijgeleverde inbussleutel. Verwijder de schroeven.
- Verwijder de tandwielkap (5) en de zwaardklem (17).
- Draai de schroef (18) naar links zodat het zwaard (6) terugwijkt en de spanning op de ketting (7) afneemt.
- Verwijder de oude zaagketting van het tandwiel (19) en het zwaard (6).
- Plaats de nieuwe zaagketting in de groef van het zwaard en om het tandwiel. Zorg ervoor dat de tanden in de juiste richting wijzen door de pijl op de ketting tegenover de pijl op de behuizing te plaatsen.

- De gleuf (20) in het kettingzwaard moet over de locatiebouten (21) vallen en het gat (22) moet zich onder de gleuf over de stelbout (23) bevinden.
- Plaats de tandwielkap (5) en de zwaardklem (17) terug, evenals de schroeven (16).
- Draai de schroeven (16) vast met de bijgeleverde inbusleutel.
- U kunt de kettingspanning op de hierna beschreven wijze afstellen.

Teneinde een voortdurend veilige werking te waarborgen, dienen de ketting en het zwaard uitsluitend door originele onderdelen van Black & Decker te worden vervangen. Het betreft onderdeelnummer A6158 voor een vervangende ketting en onderdeelnummer 623381-00 voor een vervangend zwaard.

De kettingspanning controleren en afstellen (fig. G)

- Controleer de kettingspanning. De spanning is juist wanneer de zaagketting (7) terugschiet als deze 3 mm van het zwaard wordt weggetrokken, waarbij met de middelvinger en de duim lichte druk wordt uitgeoefend. De zaagketting mag aan de onderzijde van het kettingzwaard (6) en de ketting (7) niet 'doorzakken'.

Stel de spanning als volgt af:

- Draai de schroeven (16) los.
- Draai de schroef (18) naar links.

Waarschuwing! Stel de ketting niet te strak af. Dit leidt tot overmatige slijtage en beperkt de levensduur van het zwaard en de ketting.

- Zodra de kettingspanning juist is afgesteld, kunnen de schroeven (18) worden aangedraaid.

Waarschuwing! Controleer de kettingspanning regelmatig tijdens de eerste twee uren van het eerste gebruik, aangezien nieuwe zaagkettin-gen meer rek vertonen.

Ketting oliën

De zaagketting moet vóór elk gebruik en na reiniging uitsluitend worden geolied met de juiste oliekwali teitsklasse (cat. nr. A6027).

- Olie de ketting (7) met behulp van het smeero-lieservoir (9).

Opbergen

Houd de accu op de lader aangesloten als het gereedschap enkele maanden niet wordt gebruikt.

Ga anders als volgt te werk:

- Laad de accu volledig op.
- Verwijder de accu uit het gereedschap.
- Berg het gereedschap en de accu op een veilige en droge plaats op.
- De temperatuur in de opbergruimte moet altijd tussen + 10°C en +40°C liggen. Bewaar de accu op een vlakke ondergrond.
- Voordat u het gereedschap weer gebruikt na langdurige opslag, dient u de accu opnieuw op te laden.

Milieu



Aparte inzameling. Dit product mag niet met normaal huishoudelijk afval worden weggegooid.

Mocht u op een dag constateren dat het Black & Decker-product aan vervanging toe is of dat u het apparaat niet meer nodig hebt, gooi het product dan niet bij het restafval. Het product valt onder de categorie voor elektrische apparaten.



Gescheiden inzameling van gebruikte producten en verpakkingsmaterialen maakt het mogelijk materialen te recy-clen en opnieuw te gebruiken. Hergebruik van gerecyclede materialen zorgt voor minder milieuvervuiling en dringt de vraag naar grondstoffen terug.

Plaatselijke verordeningen kunnen voorzien in gescheiden inzameling van huishoudelijke elektrische producten via gemeentelijke stortplaatsen of via de leverancier bij wie u een nieuw product aanschaft. Black & Decker biedt de mogelijkheid tot het recy-clen van afgedankte Black & Decker-producten. Om gebruik te maken van deze service, dient u het product naar een van onze servicecentra te sturen, die de inzameling voor ons verzorgen.

U kunt het adres van het dichtstbijzijnde serv-icecentrum opvragen via de adressen op de achterzijde van deze handleiding. U kunt ook een lijst van onze servicecentra en meer informatie m.b.t. onze klantenservice vinden op het volgende internetadres:

www.2helpU.com

Accu's



Gooi afgedankte accu's op verant-woorde wijze weg.

- Voorkom dat de polen van de accu worden kortgesloten.

- Gooi accu's niet in het vuur. Dit kan letsel of een explosie tot gevolg hebben.
- Ontlaad de batterij volledig en verwijder deze vervolgens uit het gereedschap.
- Accu's kunnen worden gerecycled. Plaats de accu('s) in een geschikte verpakking om te voorkomen dat de polen worden kortgesloten. Breng deze naar een servicecentrum of een inzamellocatie in uw woonplaats.

EG-conformiteitsverklaring

RICHTLIJN MACHINERIEËN



GPC1800, GPC1800P

Black & Decker verklaart dat deze producten, die zijn beschreven onder "Technische gegevens", voldoen aan:
98/37/EC (tot 28 dec. 2009), 2006/42/EC (vanaf 29 dec. 2009), EN 60745-1.

Deze producten voldoen tevens aan richtlijn 2004/108/EG. Neem voor meer informatie contact op met Black & Decker op het volgende adres of raadpleeg de achterzijde van de handleiding.

Ondergetekende is verantwoordelijk voor de compilatie van het technische bestand en geeft deze verklaring namens Black&Decker af.

Kevin Hewitt

Vice-President Global Engineering
Black & Decker Europe, 210 Bath Road, Slough,
Berkshire, SL1 3YD
Verenigd Koninkrijk
12/04/2012

Technische gegevens

		GPC1800 (H2) GPC1800P (H2)	
Spanning	V _{DC}	18	
Kettingsnelheid (onbelast)	m/min	114	
Gewicht	kg	3,5	
Maximale lengte zaagsnede	cm	17	

Accu		A18	A1718
Spanning	V _{DC}	18	18
Capaciteit	Ah	1.5	1.7
Accutype		NiCd	NiCd

Lader	9050084*		
Netspanning	V _{AC}	230 - 240V	
Ingangsspanning	V _{DC}	21.75	
Amperage	mA	210	
Oplaadtijd ca.	h	8	

Geluidsvermogen, volgens EN ISO 3744: LWA = 98 dB(A), meetonzekerheid (K) = 3 dB(A)

Geluidsdruk, volgens EN ISO 11203: LPA = 78 dB(A), meetonzekerheid (K) = 3 dB(A)

Totale trillingwaarden (som triaxvector) bepaald conform EN 60745			
Zagen van hout	Waarde trillingsemisatie a _h =	<2,5	m/s ²
	Onzekerheid K=	<1,5	m/s ²

Garantie

Black & Decker heeft vertrouwen in haar producten en biedt een uitstekende garantie. Deze garantie-bepalingen vormen een aanvulling op uw wettelijke rechten en beperken deze niet.

De garantie geldt in de lidstaten van de Europese Unie en de Europese Vrijhandelsassociatie.

Mocht uw Black & Decker product binnen 24 maanden na de datum van aankoop defect raken ten gevolge van materiaal- of constructiefouten, dan garanderen wij de kosteloze vervanging van defecte onderdelen, de reparatie van het product of de vervanging van het product, tenzij:

- Het product is gebruikt voor handelsdoeleinden, professionele toepassingen of verhuurdoeleinden.
- Het product onoordeelkundig is gebruikt.
- Het product is beschadigd door invloeden van buitenaf of door een ongeval.
- Reparaties zijn uitgevoerd door anderen dan onze servicecentra of Black & Decker-personeel.

Om een beroep te doen op de garantie, dient u een aankoopbewijs te overhandigen aan de verkoper of een van onze servicecentra. U kunt het adres van het dichtstbijzijnde servicecentrum opvragen via de adressen op de achterzijde van deze handleiding. U kunt ook een lijst van onze servicecentra en meer informatie m.b.t. onze klantenservice vinden op het volgende internetadres:

www.2helpU.com

Meld u aan op onze website www.blackanddecker.nl om te worden geïnformeerd over nieuwe producten en speciale aanbiedingen. Verdere informatie over het merk Black & Decker en onze producten vindt u op:

www.blackanddecker.nl

Uso previsto

La podadora inalámbrica Black & Decker se ha diseñado para podar árboles. Esta herramienta está pensada únicamente para uso doméstico. El cargador Black & Decker ha sido diseñado para cargar baterías Black & Decker del tipo suministrado con esta herramienta.

Instrucciones de seguridad

Advertencias de seguridad generales para herramientas eléctricas



¡Atención! Lea todas las advertencias e instrucciones de seguridad. En caso de no atenerse a ellas, podría producirse una descarga eléctrica, un incendio o una lesión grave.

Guarde todas las advertencias e instrucciones para futuras consultas.

El término "herramienta eléctrica" empleado en las advertencias indicadas a continuación se refiere a la herramienta eléctrica con alimentación de red (con cable) o alimentada por batería (sin cable).

Seguridad del área de trabajo

- **Mantenga el área de trabajo limpia y bien iluminada.** El desorden y una iluminación deficiente pueden provocar accidentes.
- **No utilice la herramienta eléctrica en un entorno con peligro de explosión, en el que se encuentren líquidos, gases o material en polvo inflamables.** Las herramientas eléctricas producen chispas que pueden llegar a inflamar el polvo o los vapores.
- **Cuando utilice la herramienta eléctrica, mantenga alejados a los niños y a otras personas del área de trabajo.** Una distracción le puede hacer perder el control sobre la herramienta.

Seguridad eléctrica

- **El enchufe de la herramienta eléctrica debe corresponder a la toma de corriente utilizada. No modifique el enchufe. No emplee adaptadores en herramientas eléctricas dotadas con toma de tierra.** Estas pautas le ayudarán a reducir el riesgo de descargas eléctricas.

- **Evite tocar partes conectadas a tierra como tuberías, radiadores, cocinas y refrigeradores.** El riesgo de descarga eléctrica es mayor si el usuario entra en contacto con elementos conectados a tierra.
- **No exponga las herramientas eléctricas a la lluvia y evite que penetren líquidos en su interior, ya que existe el peligro de recibir una descarga eléctrica.**
- **Cuide el cable de alimentación. No lo utilice para transportar o colgar la herramienta eléctrica, ni tire de él para sacar el enchufe de la toma de corriente.** Manténgalo alejado del calor, aceite, bordes afilados o piezas móviles. Los cables de red dañados o enredados incrementan el riesgo de descarga eléctrica.
- **Si trabaja con la herramienta eléctrica en el exterior, utilice solamente cables de prolongación homologados para uso en exteriores.** Esto le ayudará a reducir el riesgo de descarga eléctrica.
- **Si la utilización de una herramienta eléctrica en un lugar húmedo es inevitable, utilice una fuente protegida con un dispositivo de corriente residual (RCD).** La utilización de un RCD reduce el riesgo de sufrir descargas eléctricas.

Seguridad personal

- **Esté atento a lo que hace y utilice la herramienta eléctrica con prudencia. No la use si está cansado, ni si se encuentra bajo los efectos del alcohol, drogas o medicamentos.** Si desatiende la herramienta, aunque sea durante unos instantes, puede haber riesgo de lesiones graves.
- **Utilice material de protección personal. Utilice siempre gafas de protección.** El riesgo de lesiones se reduce considerablemente si se utiliza material de protección adecuado como una mascarilla antipolvo, zapatos de seguridad con suela antideslizante, casco o protectores auditivos.
- **Impida que la herramienta se ponga en marcha accidentalmente. Asegúrese de que el interruptor de encendido/apagado se encuentre en la posición de apagado antes de conectar la herramienta a la fuente de alimentación o a la batería, o de coger o transportar la herramienta.** Transportar la herramienta eléctrica con el dedo sobre el interruptor o enchufarla con el interruptor encendido puede provocar accidentes.

- **Retire las herramientas de ajuste o llaves fijas antes de conectar la herramienta eléctrica.** Una herramienta o llave colocada en una pieza giratoria de la herramienta puede producir lesiones al ponerse ésta en marcha.
- **Sea precavido. Evite adoptar una posición que fatigue su cuerpo; mantenga un apoyo firme sobre el suelo y conserve el equilibrio en todo momento.** Ello le permitirá controlar mejor la herramienta eléctrica en caso de presentarse una situación inesperada.
- **Vístase con la ropa adecuada. No lleve ropa holgada ni joyas. Aleje el pelo, la ropa y los guantes de las piezas móviles.** La ropa holgada, las joyas y el pelo largo se pueden enganchar con las piezas en movimiento.
- **Siempre que sea posible utilizar unos equipos de aspiración o captación de polvo, asegúrese de que éstos estén montados y que sean utilizados correctamente.** El empleo de estos equipos reduce los riesgos derivados del polvo.
- **Cuide sus herramientas eléctricas con esmero. Controle si funcionan correctamente, sin atascarse, las partes móviles de la herramienta eléctrica, y si existen partes rotas o deterioradas que pudieran afectar al funcionamiento de la herramienta.** Si la herramienta eléctrica estuviese defectuosa haga que la reparen antes de volver a utilizarla. Muchos accidentes se deben a herramientas eléctricas con un mantenimiento deficiente.
- **Mantenga las herramientas de corte limpias y afiladas.** Las herramientas de corte que se mantienen correctamente se dejan guiar y controlar mejor.
- **Utilice la herramienta eléctrica, los accesorios, los útiles de la herramienta, etc. de acuerdo con estas instrucciones, y tenga en cuenta las condiciones de trabajo y la tarea que se va a realizar.** El uso de herramientas eléctricas para trabajos diferentes de aquellos para los que han sido concebidas puede resultar peligroso.

Uso y cuidado de herramientas eléctricas

- **No sobrecargue la herramienta eléctrica. Use la herramienta adecuada para cada aplicación.** Con la herramienta eléctrica adecuada podrá trabajar mejor y más seguro dentro del margen de potencia indicado.
- **No utilice herramientas eléctricas con un interruptor defectuoso.** Las herramientas eléctricas que no se puedan conectar o desconectar son peligrosas y deben hacerse reparar.
- **Desconecte de la herramienta eléctrica el enchufe de la fuente de alimentación y de la batería antes de realizar cualquier ajuste, cambiar accesorios o guardar la herramienta.** Esta medida preventiva reduce el riesgo de encender accidentalmente la herramienta eléctrica.
- **Guarde las herramientas eléctricas fuera del alcance de los niños y de las personas que no estén familiarizadas con su uso.** Las herramientas eléctricas utilizadas por personas inexpertas son peligrosas.

Uso y cuidado de la batería

- **Recargue la batería sólo con el cargador especificado por el fabricante.** Un cargador que sea específico para un tipo de batería podría suponer un riesgo de incendio si se utiliza con otra batería.
- **Utilice herramientas eléctricas solamente cuando se especifique en la batería.** El uso de otras baterías puede suponer un riesgo de incendio y lesiones.
- **Cuando no se utilice la batería, manténgala alejada de objetos de metal como clips para papel, monedas, llaves, clavos, tornillos y otros pequeños objetos metálicos que pueden realizar una conexión de un terminal a otro.** Si provoca un cortocircuito entre los terminales de la batería, puede ocasionar un incendio o sufrir quemaduras.
- **En condiciones extremas, es posible que la batería expulse líquido; evite el contacto. En caso de tocarlo accidentalmente, enjuáguese con agua.** Si el líquido entra en contacto con los ojos, solicite asistencia médica. El líquido que expulsa la batería puede producir irritación o quemaduras.

Servicio técnico

- **Esta herramienta eléctrica solo la puede reparar personal técnico autorizado que emplee exclusivamente piezas de repuesto originales. Solamente así se garantiza la seguridad de la herramienta eléctrica.**

Instrucciones de seguridad adicionales para podadoras

En este manual de instrucciones se describe el uso para el que se ha diseñado el aparato. No utilice esta herramienta para fines no previstos. Por ejemplo, no la utilice para talar árboles. La utilización de accesorios o la realización de operaciones distintas de las recomendadas en este manual de instrucciones pueden suponer un riesgo de lesiones.

- Utilice prendas ajustadas y de protección incluido un casco de seguridad con visera o gafas de seguridad, protectores para los oídos, calzado de seguridad antideslizante, pantalones de peto protectores y guantes de piel resistentes.
- Colóquese siempre en una posición alejada de las ramas que caen.
- La distancia segura entre una rama que se va a talar y las personas, edificios y otros objetos es como mínimo 2,5 veces la longitud de la rama. Cualquier persona, edificio u objeto que se encuentre a una distancia menor corre el riesgo de resultar golpeado por la rama al caer.
- Tenga preparado un plan de salida segura para la caída de árboles o ramas. Compruebe que no haya obstáculos en la ruta de salida que puedan impedir o dificultar sus movimientos. Recuerde que la hierba mojada y las cortezas recién cortadas son resbaladizas.
- Asegúrese de que haya otra persona cerca (pero a una distancia segura) en caso de accidente.
- No utilice la herramienta mientras se encuentre subido en un árbol, en una escalera u otra superficie inestable.
- Mantenga un apoyo firme sobre el suelo y conserve el equilibrio en todo momento.
- Sujete la herramienta firmemente con las dos manos mientras el motor esté en marcha.
- No permita que la cadena en movimiento entre en contacto con ningún objeto en la punta de la barra guía.
- Empiece a cortar únicamente mientras la cadena gire a plena velocidad.
- No intente introducir la motosierra en un corte anterior. Realice siempre un nuevo corte.
- Permanezca atento a las ramas movedizas y a otras fuerzas que pudieran cerrar un corte o caer sobre la cadena.
- No intente cortar una rama cuyo diámetro exceda la longitud de corte de la herramienta.
- Extraiga siempre la batería de la herramienta y coloque la cubierta de la cadena cuando la almacene o la transporte.

- Mantenga la cadena de la motosierra afilada y suficientemente tensa. Compruebe la tensión de la cadena periódicamente.
- Apague la herramienta, deje que la cadena se detenga y retire la batería del aparato antes de llevar a cabo cualquier ajuste, reparación u operación de mantenimiento.
- Utilice únicamente piezas de repuesto y accesorios originales.
- Transporte la podadora por la empuñadura con la hoja de corte detenida. Cuando transporte o guarde la podadora, coloque siempre la cubierta del dispositivo y desmóntela en partes. La correcta manipulación de la podadora reducirá las posibles lesiones personales y las lesiones a otras personas.

Riesgos residuales

El uso de esta herramienta puede producir riesgos residuales adicionales no incluidos en las advertencias de seguridad adjuntas. Estos riesgos se pueden generar por un uso incorrecto, demasiado prolongado, etc.

El cumplimiento de las normas de seguridad correspondientes y el uso de dispositivos de seguridad no evitan ciertos riesgos residuales. Estos riesgos incluyen:

- Lesiones producidas por el contacto con piezas móviles o giratorias.
- Lesiones producidas al cambiar cualquier pieza, cuchilla o accesorio.
- Lesiones producidas al usar una herramienta por un tiempo demasiado prolongado. Si utiliza una herramienta durante periodos de tiempo demasiado prolongados, asegúrese de realizar pausas con frecuencia.
- Discapacidad auditiva.
- Riesgos para la salud producidos al respirar el polvo que se genera al usar la herramienta (por ejemplo: en los trabajos con madera, especialmente de roble, haya y tableros de densidad mediana).

Vibración

El valor de emisión de vibraciones indicado en el apartado de características técnicas y en la declaración de conformidad se ha calculado según un método de prueba estándar proporcionado por la norma EN 60745 y podrá utilizarse para comparar una herramienta con otra. El valor de emisión de vibraciones especificado también podrá utilizarse en una evaluación preliminar de la exposición.

¡Atención! El valor de emisión de vibraciones durante el funcionamiento real de la herramienta eléctrica puede diferir del valor declarado en función de cómo se utilice dicha herramienta. El nivel de las vibraciones puede superar el indicado.

Al evaluar la exposición a las vibraciones con el fin de determinar las medidas de seguridad que exige la norma 2002/44/CE para proteger a las personas que utilizan periódicamente herramientas eléctricas en el entorno laboral, deberá tenerse en cuenta una estimación de la exposición a las vibraciones, las condiciones de uso reales y el modo de empleo de la herramienta, así como los pasos del ciclo operativo como, por ejemplo, el número de veces que la herramienta se apaga y se desconecta y el tiempo de activación.

Poda

Antes de intentar podar un árbol, asegúrese de que no existen ordenanzas o normas municipales que prohíban o controlen la tala de árboles.

- Tenga en cuenta la dirección en la que pueden caer las ramas. Considere todas las condiciones que puedan influir en la dirección de caída, incluidas las siguientes:

- la longitud y el peso de la rama que va a cortar;
- la dirección de caída prevista;
- cualquier putrefacción o estructura de rama pesada y poco común;
- la presencia de árboles circundantes y obstáculos,
- como líneas de teléfono o de tendido eléctrico;
- las ramas que se entrelazan;
- la velocidad y dirección del viento.

- Tenga en cuenta el acceso a la rama del árbol. Es probable que las ramas oscilen hacia el tronco. Además del usuario, cualquier persona, edificio u objeto que se encuentre debajo de la rama corre el riesgo de resultar golpeado por esta al caer.

Seguridad de terceros

- Ninguna persona (incluidos los niños) con capacidades físicas, sensoriales o mentales disminuidas, o que carezca de experiencia y conocimientos, debe utilizar este aparato, salvo que haya recibido supervisión o formación con respecto al uso del aparato por parte de una persona responsable de su seguridad.
- Los niños deben vigilarse en todo momento para garantizar que el aparato no se toma como elemento de juego.

Símbolos de advertencia

En la herramienta aparecen los siguientes símbolos de advertencia:



¡Atención! Para reducir el riesgo de lesiones, el usuario debe leer el manual de instrucciones.



Evite que la herramienta quede expuesta a la lluvia o a entornos húmedos.



Use siempre protección para la cabeza y los ojos.



Utilice calzado de seguridad antideslizante.



Tenga cuidado con los objetos que caen. Mantenga alejadas a otras personas.



Peligro de electrocución. Manténgase a una distancia mínima de 10 m de las líneas de teléfono o de tendido eléctrico.



A fin de garantizar un funcionamiento seguro continuo, compruebe la tensión de la cadena siguiendo el procedimiento que se describe en este manual cada 10 minutos de uso y ajústela según sea necesario para que disponga de un huelgo de 3 mm. Lubrique la cadena cada diez minutos durante su utilización.



Dirección de rotación de la cadena.



¡Atención! No toque la cadena en el punto de salida de las astillas.

Instrucciones de seguridad adicionales para baterías y cargadores

Baterías

- No intente abrirlas bajo ningún concepto.
- No exponga la batería al agua.
- No exponga la batería al calor.
- No las almacene en lugares en los que la temperatura pueda superar los 40 °C.
- Realice la carga únicamente a una temperatura ambiente de entre 10 °C y 40 °C.

- Utilice únicamente el cargador suministrado con el aparato o la herramienta para realizar la carga. La utilización de un cargador incorrecto podría provocar una descarga eléctrica o el recalentamiento de la batería.
- Cuando vaya a desechar la batería, siga las instrucciones facilitadas en la sección "Protección del medio ambiente".
- No dañe ni deforme la batería mediante perforaciones o golpes, ya que puede suponer un riesgo de incendio y de lesiones. No cargue baterías dañadas.
- Es posible que se produzcan fugas en las baterías en condiciones extremas. Cuando observe que se producen fugas en las baterías, limpie cuidadosamente el líquido con un paño. Evite el contacto con la piel.
- En caso de que se produzca contacto con la piel o los ojos, siga las instrucciones facilitadas a continuación.

¡Atención! El líquido de las baterías puede provocar lesiones personales o daños materiales. En caso de que se produzca contacto con la piel, lave la zona con agua inmediatamente. Si se produce enrojecimiento, dolor o irritación, solicite atención médica. En caso de contacto con los ojos, lave la zona inmediatamente con agua limpia y solicite atención médica.

Cargadores

El cargador se ha diseñado para un voltaje específico. Cada vez que utilice el aparato, debe comprobar que el voltaje de la red eléctrica corresponde con el valor indicado en la placa de características.

¡Atención! No intente sustituir el cargador por un enchufe convencional para la red eléctrica.

- Para cargar la batería del aparato o herramienta, utilice únicamente el cargador Black & Decker suministrado. En caso de intentar cargar otras baterías, estas podrían explotar, lo que podría provocar lesiones y daños personales.
- Nunca intente cargar baterías no recargables.
- Si se dañara el cable de alimentación, deberá ser sustituido por el fabricante o por un centro de asistencia técnica autorizado de Black & Decker para evitar cualquier situación de riesgo.
- No esponga el cargador al agua.
- No abra el cargador.
- No aplique ningún dispositivo para medir la resistencia del cargador.

- El aparato, la herramienta o la batería debe colocarse en una zona correctamente ventilada durante la carga.

Etiquetas del cargador

El cargador muestra los siguientes símbolos:



Este cargador está pensado únicamente para utilizarse en un lugar interior



Lea el manual de instrucciones antes de utilizar el aparato.



El cargador se apaga automáticamente si detecta que la temperatura ambiente es excesivamente alta. Cuando la temperatura ambiente se haya enfriado, el cargador continuará funcionando.



Realice la carga únicamente a una temperatura ambiente de entre 10 °C y 40 °C.

Seguridad eléctrica

El cargador está provisto de doble aislamiento, por lo que no requiere una toma de tierra. Cada vez que utilice el aparato, debe comprobar que el voltaje de la red eléctrica corresponde con el valor indicado en la placa de características. No intente sustituir el cargador por un enchufe convencional para la red eléctrica.



Descripción general

1. Interruptor de encendido/apagado
2. Botón de desbloqueo
3. Empuñadura principal
4. Hoja
5. Cubierta de la rueda dentada
6. Barra guía
7. Cadena
8. Funda de la cadena
9. Botella de lubricación
10. Tubo de extensión
11. Batería

Fig. A

12. Cargador

Montaje

¡Atención! Antes de proceder al montaje, extraiga la batería de la herramienta.

Inserción y extracción de la batería (fig. B)

- Para insertar la batería (11), alinéela con el receptáculo de la herramienta. Deslice la batería dentro del receptáculo y empujela hasta que encaje en su sitio.
- Para extraer la batería, presione el botón de liberación (13) a la vez que tira de la batería para extraerla del receptáculo.

¡Atención! A fin de evitar que se ponga en funcionamiento accidentalmente, asegúrese de que la batería no está instalada y que la funda de la cadena está colocada en la cadena de sierra antes de llevar a cabo cualquiera de las operaciones siguientes. No hacerlo podría provocar graves lesiones personales.

Colocación de la hoja (fig. C)

La hoja puede colocarse directamente en la empuñadura para obtener un alcance estándar.

- Haga coincidir la ranura del exterior del extremo de acoplamiento de la empuñadura (3) con la lengua del interior del extremo de acoplamiento de la hoja (4). Empuje la hoja (4) hacia la empuñadura (3).
- Deslice el collar (14) hacia abajo y gírelo hacia la derecha hasta que quede totalmente apretado.

¡Atención! Compruebe periódicamente las conexiones para asegurarse de que se encuentren firmemente apretadas.

Extensión de la hoja (fig. D)

El alcance máximo puede obtenerse colocando el tubo de extensión (10) entre la hoja (4) y la empuñadura (3).

- Haga coincidir la ranura del exterior del extremo de acoplamiento de la empuñadura (3) con la lengua del interior del extremo de acoplamiento del tubo de extensión (10).
- Empuje el tubo de extensión (10) hacia la empuñadura (3).
- Deslice el collar (15) hacia abajo y gírelo hacia la derecha hasta que quede totalmente apretado.
- Haga coincidir la ranura del exterior del extremo de acoplamiento del tubo de extensión (10) con la lengua del interior del extremo de acoplamiento de la hoja (4).
- Empuje la hoja (4) hacia el tubo de extensión (10).

- Deslice el collar (14) hacia abajo y gírelo hacia la derecha hasta que quede totalmente apretado.

¡Atención! Compruebe periódicamente las conexiones para asegurarse de que se encuentren firmemente apretadas.

Extracción de la hoja (fig. C y D)

Si el tubo de extensión (10) se encuentra instalado, será necesario extraer la hoja en primer lugar.

- Para extraer la hoja (4), apoye la empuñadura (3) en el suelo, afloje el collar (14) y extraiga la hoja.

Uso

¡Atención! Deje que la herramienta funcione a su ritmo. No la sobrecargue.

Carga de la batería (fig. A)

Es necesario cargar la batería antes del primer uso y cada vez que empiece a no tener suficiente potencia para tareas que eran fáciles de realizar anteriormente. Cuando cargue la batería por primera vez, o después de un período de almacenamiento largo, aceptará sólo un 80% de la carga. Después de varios ciclos de carga y descarga, la batería logrará la máxima capacidad. Es posible que la batería se caliente durante la carga, esto es normal y no denota ningún problema.

¡Atención! No cargue la batería a una temperatura ambiente inferior a 10 °C o superior a 40 °C. Temperatura de carga recomendada: aprox. 24 °C.

- Para cargar la batería (11), extráigala de la herramienta e insértela en el cargador (12). La batería sólo encajará en el cargador en una dirección. No la fuerce. Asegúrese de que la batería queda perfectamente encajada en el cargador.
- Conecte el cargador.

Cargador de 8 horas

La batería estará completamente cargada en 8 horas aproximadamente. Puede extraerla en cualquier momento o dejarla en el cargador conectado de forma indefinida.

Encendido y apagado (fig. E)

Por razones de seguridad, esta herramienta está equipada con un sistema de dos interruptores, el cual impide que la herramienta pueda ponerse en marcha accidentalmente.

Encendido

- Pulse el botón de desbloqueo (2) hacia atrás mediante el dedo pulgar y presione al mismo tiempo el botón de encendido/apagado (1).
- Suelte el botón de desbloqueo (2).

Apagado

- Suelte el interruptor de encendido/apagado (1).

¡Atención! No intente nunca trabar un interruptor en la posición de encendido.

Poda (fig. F)

- Antes de efectuar un corte, asegúrese de que la herramienta esté funcionando a plena velocidad.
- Sujete la herramienta firmemente para evitar que rebote o se mueva hacia los lados.
- Ejercer una ligera presión para guiar la herramienta a través de la rama. Cuando corte ramas pesadas en las que un corte parcial pueda astillar y dañar el árbol, haga lo siguiente:
 - Realice el primer corte 15 cm desde el tronco del árbol en la parte inferior de la rama. Utilice la parte superior de la barra guía (7) para efectuar este corte.
 - Corte un tercio del diámetro de la rama. A continuación, corte de arriba hacia abajo.

Limpieza, mantenimiento y almacenamiento

Este aparato o herramienta con o sin cable de Black & Decker se ha diseñado para que funcione durante un largo período de tiempo con un mantenimiento mínimo.

El funcionamiento satisfactorio continuado depende de un cuidado apropiado y una limpieza periódica de la herramienta.

¡Atención! Antes de realizar el mantenimiento de herramientas eléctricas con o sin cables:

- Apague y desenchufe el aparato o herramienta.
- O apague y extraiga la batería del aparato o herramienta si es que cuenta con una batería separada.
- O bien, deje que la batería se agote por completo si es integral y, a continuación, apague el aparato.
- Desenchufe el cargador antes de limpiarlo. El cargador no requiere ningún mantenimiento especial excepto la limpieza.

Limpie periódicamente las ranuras de ventilación de la herramienta, aparato o cargador con un cepillo suave o un paño seco.

Limpie periódicamente la carcasa del motor con un paño húmedo. No utilice limpiadores de base abrasiva o disolventes.

Abra regularmente el portabrocas y golpéelo suavemente para eliminar los restos de polvo que haya en su interior (si se encuentra colocado).

Después de su utilización y antes del almacenamiento

- Limpie periódicamente las ranuras de ventilación con un cepillo limpio y seco.
- Para limpiar la herramienta, utilice únicamente jabón suave y un paño húmedo. Evite que penetre líquido en el interior de la herramienta y nunca sumerja ninguna parte de esta en líquido.
- Extraiga los restos de suciedad con la ayuda de un cepillo de cerdas duras.
- Lubrique la cadena con aceite.

Instalación y extracción de la cadena de sierra (figs. G y H)

¡Atención! Utilice siempre guantes de protección cuando instale o retire la cadena de la sierra. Dicha pieza está afilada y puede provocar cortes cuando la herramienta no está en funcionamiento.

- Coloque la herramienta sobre una superficie sólida y estable.
- Afloje los tornillos (16) con la llave Allen suministrada. Extraiga los tornillos.
- Extraiga la cubierta de la rueda dentada (5) y la pinza de la barra (17).
- Gire el tornillo (18) en sentido contrario a las agujas del reloj para permitir el retroceso de la barra guía (6) y que se reduzca la tensión en la cadena de sierra (7).
- Extraiga la cadena de sierra usada de la rueda dentada (19) y la barra guía (6).
- Coloque la cadena nueva en la ranura de la barra guía y alrededor de la rueda dentada. Asegúrese de que los dientes estén orientados en la dirección correcta haciendo coincidir la flecha de la cadena con la flecha de la carcasa.
- Asegúrese de que la ranura (20) de la barra guía esté situada sobre los pasadores de posición (21) y que el orificio (22) ubicado bajo la ranura queda colocado sobre el pasador de ajuste (23).
- Vuelva a colocar la cubierta de la rueda dentada (5), la pinza de la barra (17) y los tornillos (16).
- Apriete los tornillos (16) con la llave Allen suministrada.

- Ajuste la tensión de la cadena tal como se describe a continuación.

A fin de garantizar un funcionamiento seguro continuo, la cadena y la barra guía deberán ser reemplazadas únicamente con piezas originales de Black & Decker. Número de cadena de repuesto, A6158; número de barra guía de repuesto 623381-00.

Comprobación y ajuste de la tensión de la cadena (fig. G)

- Compruebe la tensión de la cadena de sierra. La tensión es correcta cuando la cadena de sierra (7) vuelve a su posición inicial después de separarla 3 mm de la cadena de sierra simplemente con los dedos. No debe haber "comba" alguna entre la barra guía (6) y la cadena de sierra (7) en la parte inferior.

Para ajustar la tensión:

- Afloje los tornillos (16).
- Gire el tornillo (18) en la dirección de las agujas del reloj.

¡Atención! No tense demasiado la cadena, ya que provocará un desgaste excesivo y se reducirá la vida útil de la barra y de la cadena.

- Una vez ajustada la tensión correcta, apriete los tornillos (18).

¡Atención! Cuando utilice una cadena de sierra nueva, compruebe la tensión con frecuencia durante las primeras dos horas de uso, ya que una cadena de sierra nueva se expande ligeramente.

Engrase de la cadena

Es necesario lubricar la cadena de sierra antes de cada utilización y después de limpiarla, utilizando únicamente el grado correcto de aceite (número de catálogo A6027).

- Lubrique toda la cadena de sierra (7) de manera uniforme con el aplicador (9).

Almacenamiento

Si la herramienta no se va a utilizar durante varios meses, lo ideal es dejar la batería conectada al cargador.

En caso contrario, realice el procedimiento siguiente:

- Cargue completamente la batería.
- Extraiga la batería de la herramienta.

- Almacene la herramienta y la batería en un lugar seguro y seco.
- La temperatura de almacenamiento siempre debe estar comprendida entre +10 °C y +40 °C. Coloque la batería en una superficie nivelada.
- Antes de utilizar la herramienta después de un período de almacenamiento prolongado, vuelva a cargar completamente la batería.

Protección del medio ambiente



Recogida selectiva. No se debe desechar este producto con el resto de residuos domésticos.

Si llegase el momento en que fuese necesario sustituir su producto Black & Decker o si este dejase de tener utilidad para usted, no lo deseche junto con los residuos domésticos. Sepárelo para su recogida selectiva.



La recogida selectiva de productos y embalajes usados permite el reciclaje de materiales y su reutilización. La reutilización de materiales reciclados contribuye a evitar la contaminación medioambiental y reduce la demanda de materias primas.

Las normativas municipales deben ofrecer la recogida selectiva de productos eléctricos del hogar, en puntos municipales previstos para tal fin o a través del distribuidor cuando adquiera un nuevo producto.

Black & Decker proporciona facilidades para la recogida y reciclado de los productos Black & Decker que han llegado al final de su vida útil. Para poder utilizar este servicio, le rogamos que entregue el producto a cualquier agente de servicio técnico autorizado para que se haga cargo de él en nuestro nombre.

Para consultar la dirección del agente de servicio técnico más cercano, póngase en contacto con la oficina local de Black & Decker en la dirección que se indica en este manual. Como alternativa, se puede consultar en Internet la lista de servicios técnicos autorizados e información completa de nuestros servicios de posventa y contactos, en la dirección siguiente:

www.2helpU.com

Baterías



Al final de su vida útil, deséchelas respetando el medio ambiente

- Procure no provocar un cortocircuito entre los terminales de la batería.
- No arroje las baterías al fuego, ya que podría provocar daños personales o una explosión.
- Deje que la batería se agote por completo y, a continuación, extráigala de la herramienta.
- Las baterías son reciclables. Coloque las baterías en un embalaje adecuado de modo que los terminales no entren en contacto y provoquen un cortocircuito. Llévelas al agente autorizado más cercano o a un centro de reciclaje local.

Valores totales de vibración (suma vectorial triaxial) determinada según la norma EN 60745

Corte de madera	Valor de emisión de vibraciones ah=	<2,5 m/s ²
	Incertidumbre K=	<1,5 m/s ²

CE - Declaración de conformidad

DIRECTIVA DE MAQUINARIAS



GPC1800, GPC1800P

Black & Decker declara que los productos descritos en los "datos técnicos" cumplen con lo siguiente:
98/37/CE (hasta el 28 de diciembre de 2009),
2006/42/CE (a partir del 29 de diciembre de 2009),
EN 60745-1

Estos productos también cumplen con la directiva 2004/108/CE. Si desea obtener más información, póngase en contacto con Black & Decker a través de la siguiente dirección o consulte el dorso del manual.

La persona que firma a continuación es responsable de la elaboración del archivo técnico y realiza esta declaración en nombre de Black & Decker.

Kevin Hewitt
Vicepresidente de Ingeniería global
Black & Decker Europe, 210 Bath Road, Slough,
Berkshire, SL1 3YD
Reino Unido
12/04/2012

Características técnicas

		GPC1800 (H2) GPC1800P (H2)	
Voltaje	V _{DC}	18	
Velocidad de la cadena sin carga	m/min	114	
Peso	Kg	3,5	
Longitud máxima de corte	cm	17	

Batería		A18	A1718
Voltaje	V _{DC}	18	18
Capacidad	Ah	1.5	1.7
Tipo de batería		NiCd	NiCd

Cargador		9050084*	
Voltaje de entrada	V _{AC}	230 - 240V	
Voltaje de salida	V _{DC}	21.75	
Amperaje	mA	210	
Tiempo de carga aproximado	h	8	

Nivel de potencia acústica de acuerdo con la directiva EN ISO 3744: LWA = 98 dB (A), incertidumbre (K) = 3 dB (A)

Nivel de presión acústica de acuerdo con la directiva EN ISO 11203: LPA = 78 dB (A), incertidumbre (K) = 3 dB (A)

Garantía

Black & Decker confía plenamente en la calidad de sus productos y ofrece una garantía extraordinaria. Esta declaración de garantía es un añadido, y en ningún caso un perjuicio para sus derechos legales.

La garantía es válida dentro de los territorios de los Estados miembros de la Unión Europea y de los de la Zona Europea de Libre Comercio.

Si un producto Black & Decker resultara defectuoso debido a materiales o mano de obra defectuosos o a la falta de conformidad, Black & Decker garantiza, dentro de los 24 meses de la fecha de compra, la sustitución de las piezas defectuosas, la reparación de los productos sujetos a un desgaste y rotura razonables o la sustitución de tales productos para garantizar al cliente el mínimo de inconvenientes, a menos que:

- El producto se ha utilizado con propósitos comerciales, profesionales o de alquiler.
- El producto se ha sometido a un uso inadecuado o negligente.
- El producto ha sufrido daños causados por objetos o sustancias extrañas o accidentes.
- Se hayan realizado reparaciones por parte de personas que no sean del servicio técnico autorizado o personal de servicios de Black & Decker.

Para reclamar en garantía, será necesario que presente la prueba de compra al vendedor o al agente de servicio técnico autorizado. Para consultar la dirección del agente de servicio técnico más cercano póngase en contacto con la oficina local de Black & Decker en la dirección que se indica en este manual. Como alternativa, se puede consultar en Internet la lista de servicios técnicos autorizados e información completa de nuestros servicios de posventa y contactos, en la dirección siguiente:

www.2helpU.com

Visite el sitio web www.blackanddecker.eu para registrar su nuevo producto Black & Decker y estar al día sobre productos y ofertas especiales. Encontrará más información acerca de la marca Black & Decker y de la gama de productos que ofrece en la dirección:

www.blackanddecker.eu

Utilização prevista

A tesoura eléctrica sem fios Black & Decker foi concebida para podar árvores. Esta ferramenta destina-se apenas a utilização doméstica. O carregador Black & Decker foi concebido para carregar baterias Black & Decker do tipo fornecido com esta ferramenta.

Instruções de segurança

Avisos de segurança gerais para ferramentas eléctricas



Atenção! Leia todos os avisos de segurança e todas as instruções. O não cumprimento dos seguintes avisos e instruções pode resultar em choques eléctricos, incêndio e/ou lesões graves.

Guarde todos os avisos e instruções para futura referência.

A expressão “ferramenta eléctrica” em todos os avisos apresentados abaixo refere-se a ferramentas eléctricas com ligação à corrente eléctrica (com cabo) ou com bateria (sem fios).

Segurança na área de trabalho

- **Mantenha a área de trabalho limpa e bem iluminada.** Áreas desarrumadas ou mal iluminadas são propícias a acidentes.
- **Não trabalhe com ferramentas eléctricas em áreas com risco de explosão, nas quais se encontrem líquidos, gases ou poeiras inflamáveis.** As ferramentas eléctricas produzem faíscas que podem provocar a ignição de poeiras ou vapores.
- **Mantenha crianças e outras pessoas afastadas durante a utilização da ferramenta eléctrica.** As distrações podem dar origem a que perca o controlo da ferramenta.

Segurança eléctrica

- **A ficha da ferramenta eléctrica deve caber na tomada. A ficha não deve ser modificada de modo algum. Não utilize quaisquer fichas adaptadoras em ferramentas eléctricas com ligação à terra.** Fichas sem modificações e tomadas adequadas reduzem o risco de choques eléctricos.

- **Evite que o corpo entre em contacto com superfícies ligadas à terra, como tubos, radiadores, fogões e frigoríficos.** Existe um maior risco de choque eléctrico se o seu corpo estiver ligado à terra.
- **As ferramentas eléctricas não podem ser expostas a chuva nem humidade.** A penetração de água na ferramenta eléctrica aumenta o risco de choques eléctricos.
- **Manuseie o cabo com cuidado. O cabo não deve ser utilizado para transportar ou pendurar a ferramenta, nem para puxar a ficha da tomada.** Mantenha o cabo afastado de calor, óleo, pontas afiadas ou partes móveis. Cabos danificados ou torcidos aumentam o risco de choques eléctricos.
- **Quando trabalhar com uma ferramenta eléctrica ao ar livre, utilize um cabo de extensão apropriado para esse fim.** A utilização de um cabo apropriado para áreas ao ar livre reduz o risco de choques eléctricos.
- **Se for inevitável trabalhar com uma ferramenta eléctrica num local húmido, utilize um Dispositivo de Corrente Residual (RCD).** A utilização de um RCD reduz o risco de choque eléctrico.

Segurança pessoal

- **Mantenha-se atento, observe o que está a fazer e seja prudente ao trabalhar com a ferramenta eléctrica. Não utilize uma ferramenta eléctrica se estiver cansado ou sob a influência de drogas, álcool ou medicamentos.** Um momento de falta de atenção durante a utilização de ferramentas eléctricas poderá causar graves lesões.
- **Utilize equipamento de protecção pessoal. Use sempre óculos de protecção.** Equipamento de protecção como, por exemplo, máscara anti-poeiras, sapatos de segurança anti-derrapantes, capacete de segurança ou protecção auricular, de acordo com o tipo e a aplicação de ferramenta eléctrica, reduz o risco de lesões.
- **Evite arranques involuntários. Certifique-se de que o botão está desligado antes de ligar a ferramenta à corrente eléctrica e/ou à bateria, e antes de pegar ou transportar a ferramenta.** Transportar ferramentas eléctricas com o dedo no botão ou ligar ferramentas eléctricas à tomada com o interruptor na posição de ligado pode dar origem a acidentes.

- **Retire eventuais chaves de ajuste ou chaves de fenda antes de ligar a ferramenta eléctrica.** Uma chave de fenda ou chave de ajuste que se encontre numa peça em rotação da ferramenta eléctrica poderá causar lesões.
- **Não se incline. Mantenha-se sempre bem posicionado e em equilíbrio.** Desta forma, será mais fácil controlar a ferramenta eléctrica em situações inesperadas.
- **Utilize vestuário adequado. Não utilize roupas largas nem jóias. Mantenha o cabelo, roupa e luvas afastados de peças em movimento.** Roupas largas, jóias ou cabelos longos podem ficar presos nas peças em movimento.
- **Se for prevista a montagem de dispositivos de extracção e recolha de pó, assegure-se de que estão ligados e que são utilizados de forma correcta.** A recolha das poeiras pode reduzir os riscos provocados por poeiras.
- **Efectue a manutenção das ferramentas eléctricas. Verifique se as partes móveis estão desalinhasadas ou bloqueadas, se existem peças partidas ou qualquer outra situação que possa afectar o funcionamento das ferramentas eléctricas. As peças danificadas devem ser reparadas antes da utilização da ferramenta eléctrica.** Muitos acidentes têm como causa uma manutenção insuficiente das ferramentas eléctricas.
- **Mantenha as ferramentas de corte sempre afiadas e limpas.** As ferramentas de corte com a manutenção adequada e extremidades afiadas bloqueiam com menos frequência e são mais fáceis de controlar.
- **Utilize a ferramenta eléctrica, acessórios e peças de ferramenta, etc., de acordo com estas instruções, considerando as condições de trabalho e a tarefa a ser executada.** A utilização da ferramenta eléctrica para fins diferentes dos previstos pode resultar em situações perigosas.

Utilização e manutenção da ferramenta eléctrica

- **Não sobrecarregue a ferramenta eléctrica. Utilize a ferramenta eléctrica adequada para o trabalho pretendido.** A ferramenta eléctrica correcta realizará o trabalho de forma melhor e mais segura, com a potência com que foi concebida.
- **Não utilize a ferramenta eléctrica se o interruptor não puder ser ligado nem desligado.** Qualquer ferramenta eléctrica que não possa ser controlada com o interruptor é perigosa e terá de ser reparada.
- **Desligue a ficha da tomada e/ou a bateria da tomada antes de proceder a ajustes, trocar acessórios ou guardar ferramentas eléctricas.** Estas medidas de prevenção de segurança reduzem o risco de ligação inadvertida da ferramenta eléctrica.
- **Mantenha as ferramentas eléctricas que não estiverem a ser utilizadas fora do alcance de crianças.** Não permita que a ferramenta eléctrica seja utilizada por pessoas não familiarizadas com a mesma ou que não tenham lido estas instruções. As ferramentas eléctricas são perigosas se utilizadas por pessoas não qualificadas.

Utilização e manutenção da bateria

- **Carregue apenas com o carregador especificado pelo fabricante.** Um carregador adequado para um tipo de bateria pode dar origem a risco de incêndio quando utilizado com outro tipo de bateria.
- **Utilize ferramentas eléctricas apenas com baterias específicas.** A utilização de outras baterias pode dar origem a risco de danos e incêndio.
- **Quando uma bateria não estiver a ser utilizada, mantenha-a afastada de outros objectos metálicos como, por exemplo, cliques, moedas, chaves, pregos, parafusos ou outros pequenos objectos metálicos que possam fazer ligação de um terminal a outro.** O curto-circuito de terminais de bateria pode causar queimaduras ou incêndio.
- **Sob condições exageradas, a bateria pode verter líquido – evite o contacto. Se ocorrer um contacto accidental, lave abundantemente com água.** Se o líquido entrar em contacto com os olhos, procure assistência médica. O líquido vertido da bateria pode causar irritação ou queimaduras.

Reparação

- **A sua ferramenta eléctrica só deve ser reparada por pessoal qualificado e só devem ser colocadas peças sobressalentes originais.** Isso garante a manutenção da segurança da ferramenta eléctrica.

Instruções de segurança adicionais para tesouras eléctricas

A utilização prevista está descrita no manual de instruções. Não utilize esta ferramenta para fins não previstos, por exemplo, não a utilize para abater árvores. A utilização de qualquer acessório ou a realização de qualquer operação com este aparelho que não se inclua no presente manual de instruções poderá representar um risco de ferimentos pessoais.

- Utilize vestuário de protecção justo, incluindo capacete de segurança com viseira/óculos, protecção auditiva, calçado de segurança anti-derrapante, jardineira de protecção e luvas de couro resistente.
- Desvie-se sempre da trajectória de queda dos ramos.
- A distância de segurança entre um ramo a cortar e as pessoas presentes, edifícios e outros objectos deve ser, no mínimo, de 2 1/2x o comprimento do ramo. Todas as pessoas presentes, edifícios ou objectos que se encontrem dentro desta distância correm o risco de serem atingidos pela queda do ramo.
- Planeie antecipadamente uma saída de segurança para escapar a árvores ou ramos em queda. Certifique-se de que o caminho de saída não tem quaisquer obstáculos que possam impedir ou dificultar o movimento. Lembre-se de que a relva molhada e as cascas de árvore cortadas recentemente podem ser escorregadias.
- Certifique-se de que, em caso de acidente, existe alguém por perto (mas a uma distância de segurança).
- Não utilize a ferramenta enquanto estiver em cima de uma árvore, escada ou de qualquer outra superfície instável.
- Mantenha-se sempre bem posicionado e em equilíbrio.
- Pegue na ferramenta com firmeza e com ambas as mãos quando o motor estiver ligado.
- Não deixe a corrente em movimento entrar em contacto com nenhum outro objecto na ponta da barra de direcção.
- Comece o corte apenas quando tiver a corrente a deslocar-se na velocidade máxima.
- Não tente introduzir a serra num corte anterior. Faça sempre um novo corte.
- Preste atenção ao movimento dos ramos ou de outras forças que possam fechar um corte e exercer pressão ou cair na corrente.
- Não tente cortar um ramo quando o diâmetro do ramo exceder o comprimento de corte da ferramenta.

- Retire sempre a bateria da ferramenta e coloque a protecção da corrente sobre a corrente quando armazenar ou transportar a ferramenta.
- Mantenha a corrente afiada e com a tensão adequada. Verifique regularmente a tensão.
- Desligue a ferramenta, deixe que a corrente pare e retire a bateria da ferramenta antes de fazer qualquer ajuste ou operação de manutenção:
- Utilize apenas peças de substituição e acessórios originais.
- Transporte a tesoura eléctrica pela pega com a lâmina de corte desligada. Quando transportar ou armazenar a tesoura eléctrica, coloque sempre a protecção da barra de corte e desmonte todos os componentes. O manuseamento correcto da tesoura eléctrica irá reduzir os eventuais ferimentos pessoais e de terceiros.

Riscos residuais

Podem surgir riscos residuais adicionais durante a utilização da ferramenta que poderão não constar nos avisos de segurança incluídos. Estes riscos podem resultar de má utilização, uso prolongado, etc.

Mesmo com a aplicação dos regulamentos de segurança relevantes e com a implementação de dispositivos de segurança, alguns riscos residuais não podem ser evitados. Incluem:

- ferimentos causados pelo contacto com peças em rotação/movimento.
- ferimentos causados durante a troca de peças, lâminas ou acessórios.
- ferimentos causados pela utilização prolongada de uma ferramenta. Quando utilizar uma ferramenta por períodos prolongados, faça intervalos regulares.
- diminuição da audição.
- Os problemas de saúde causados pela inalação de poeiras resultantes da utilização da ferramenta (exemplo: trabalhos em madeira, especialmente carvalho, faia e MDF).

Vibração

Os valores de emissão de vibração declarados na secção de dados técnicos e na declaração de conformidade foram medidos de acordo com o método de teste padrão fornecido pela norma EN 60745 e podem ser utilizados para comparar ferramentas. O valor de emissão de vibração declarado pode ainda ser utilizado numa avaliação preliminar de exposição.

Atenção! O valor de emissão de vibração durante a utilização real da ferramenta eléctrica pode ser diferente do valor declarado, dependendo da forma como a ferramenta é utilizada. O nível de vibração pode aumentar acima do nível indicado.

Quando avaliar a exposição da vibração para determinar as medidas de segurança exigidas pela norma 2002/44/CE para proteger pessoas que utilizem regularmente ferramentas eléctricas na sua actividade profissional, deve ser considerada uma estimativa de exposição de vibração, as actuais condições de utilização e o modo de como a ferramenta é utilizada, incluindo ainda todas as partes do ciclo de funcionamento, como os períodos de inactividade e espera da ferramenta, para além do tempo de funcionamento.

Poda

Antes de tentar podar uma árvore, certifique-se de que não existem quaisquer leis ou regulamentações locais que impeçam ou regulem o derrube da árvore.

- Esteja atento à direcção possível de queda do ramo. Analise todos os elementos que possam afectar a direcção da queda, incluindo:
 - o comprimento e peso do ramo a cortar
 - a direcção pretendida da queda
 - a existência de alguma estrutura ou apodrecimento de perna pesada
 - a presença de árvores e obstáculos nas proximidades,
 - incluindo linhas aéreas
 - o entrelaçamento com outros ramos
 - a velocidade e direcção do vento.
- Tenha em consideração o acesso ao ramo da árvore.

É provável que os ramos da árvore oscilem em direcção ao tronco da árvore. Para além do utilizador, todas as pessoas presentes, edifícios ou objectos debaixo do ramo correm o risco de serem atingidos pela queda do ramo.

Segurança de terceiros

- Este aparelho não deve ser utilizado por pessoas (incluindo crianças) que apresentem capacidades físicas, sensoriais ou mentais reduzidas ou que não possuam os conhecimentos e a experiência necessários, excepto se forem vigiadas e instruídas acerca da utilização do aparelho por uma pessoa responsável pela sua segurança.
- As crianças deverão ser vigiadas para que não mexam no aparelho.

Símbolos de advertência

A ferramenta contém os seguintes símbolos de aviso:



Atenção! Para reduzir o risco de lesões, o utilizador deve ler o manual de instruções.



Não utilize a ferramenta em condições húmidas nem a exponha à chuva.



Utilize sempre protecção para a cabeça e para os olhos.



Utilize calçado de segurança antiderrapante.



Esteja atento à queda de objectos. Mantenha as outras pessoas afastadas.



Perigo de electrocussão. Mantenha uma distância mínima de 10 m das linhas aéreas.



Para garantir um funcionamento sempre seguro, verifique a tensão da corrente como descrito neste manual a cada 10 minutos de utilização e ajuste-a até obter uma folga de 3 mm, conforme necessário. Lubrifique a corrente após cada 10 minutos de utilização



Direcção de rotação da corrente.



Atenção! Não toque na corrente no ponto de eliminação de lascas.

Instruções de segurança adicionais para baterias e carregadores

Baterias

- Nunca tente abrir a bateria por motivo algum.
- Não exponha a bateria à água.
- Não exponha a bateria ao calor.
- Não a armazene em locais onde a temperatura possa exceder os 40 °C.
- Carregue apenas a temperaturas ambiente entre 10 °C e 40 °C.
- Carregue apenas com o carregador fornecido com o aparelho/ferramenta. A utilização de um carregador errado pode resultar em choque eléctrico ou sobreaquecimento da bateria.

- Ao eliminar a bateria, siga as instruções indicadas na secção "Protecção do ambiente".
- Não danifique/deforme a bateria por perfuração ou impacto, pois poderá originar o risco de ferimentos e incêndio. Não carregue baterias danificadas.
- Em condições extremas, pode ocorrer uma fuga nas baterias. Se detectar a fuga de líquido das baterias, limpe o líquido cuidadosamente com um pano. Evite o contacto com a pele.
- Em caso de contacto com a pele ou com os olhos, siga as instruções seguintes.

Atenção! O fluido da bateria pode causar ferimentos pessoais ou danos materiais. Em caso de contacto com a pele, enxágue imediatamente com água. Em caso de vermelhidão, dor ou irritação, contacte um médico. Em caso de contacto com os olhos, enxágue imediatamente com água limpa e procure ajuda médica.

Carregadores

O seu carregador foi concebido para uma tensão específica. Verifique sempre se a tensão de alimentação corresponde à tensão indicada na placa de especificações.

Atenção! Nunca tente substituir a unidade do carregador por uma tomada normal de alimentação.

- Utilize o carregador Black & Decker apenas para carregar a bateria do aparelho/ferramenta com que foi fornecido. Outras baterias poderão rebentar, provocando lesões pessoais e danos.
- Nunca tente carregar baterias não recarregáveis.
- Se o cabo de alimentação estiver danificado, terá de ser substituído pelo fabricante ou por um centro de assistência autorizado Black & Decker para evitar acidentes.
- Não exponha o carregador à água.
- Não abra o carregador.
- Não manipule o interior do carregador.
- O aparelho/ferramenta/bateria deve ser colocado numa área com boa ventilação durante o carregamento.

Etiquetas no carregador

O carregador contém os seguintes símbolos de aviso:



O carregador só deve ser utilizado em recintos fechados



Leia o manual de instruções antes da utilização.



O carregador desliga-se automaticamente se a temperatura se tornar demasiado elevada. Assim que a temperatura ambiente arrefece, o carregador volta a funcionar.



Carregue apenas a temperaturas ambiente entre 10 °C e 40 °C.

Segurança eléctrica



O carregador tem um isolamento duplo, pelo que não é necessário um fio de terra. Verifique sempre se a tensão de alimentação corresponde à tensão indicada na placa de especificações. Nunca tente substituir a unidade do carregador por uma tomada normal de alimentação.

Visão geral

1. Interruptor para ligar/desligar
2. Botão de travamento
3. Cabo principal
4. Cabeça da lâmina
5. Cobertura da roda dentada
6. Barra de direcção
7. Corrente
8. Protecção da corrente
9. Frasco de lubrificante
10. Suporte de extensão
11. Bateria

Fig. A

12. Carregador

Montagem

Atenção! Antes de montar, remova a bateria da ferramenta.

Colocar e remover a bateria (fig. B)

- Para colocar a bateria (11), alinhe-a com o receptáculo na ferramenta. Faça deslizar a bateria para dentro do receptáculo e puxe até que a bateria se encaixe devidamente.
- Para remover a bateria, pressione o botão de desbloqueio (13) enquanto retira, ao mesmo tempo, a bateria do receptáculo.

Atenção! Para prevenir um funcionamento acidental, certifique-se de que a bateria é retirada e de que a protecção da corrente se encontra no sítio, na corrente antes de efectuar as seguintes operações. Se não o fizer, poderão ocorrer ferimentos pessoais graves.

Ajustar a cabeça da lâmina (fig. C)

A cabeça da lâmina pode ser colocada directamente no cabo para obter um alcance padrão.

- Alinhe a ranhura do lado exterior da extremidade de encaixe do cabo (3) com a patilha do lado interior da extremidade de encaixe da cabeça da lâmina (4). Encaixe a cabeça da lâmina (4) no cabo (3).
- Deslize o mandril (14) para baixo e rode-o no sentido dos ponteiros do relógio até ficar completamente apertado.

Atenção! Verifique periodicamente as ligações para garantir que estão bem apertadas.

Aumentar a cabeça da lâmina (fig. D)

O alcance máximo pode ser obtido através da colocação de um suporte de extensão (10) entre a cabeça da lâmina (4) e o cabo (3).

- Alinhe a ranhura do lado exterior da extremidade de encaixe do cabo (3) com a patilha do lado interior da extremidade de encaixe do suporte de extensão (10).
- Encaixe o suporte de extensão (10) no cabo (3).
- Deslize o mandril (15) para baixo e rode-o no sentido dos ponteiros do relógio até ficar completamente apertado.
- Alinhe a ranhura do lado exterior da extremidade de suporte de extensão (10) com a patilha do lado interior da extremidade de encaixe da cabeça da lâmina (4).
- Encaixe a cabeça da lâmina (4) no suporte de extensão (10).
- Deslize o mandril (14) para baixo e rode-o no sentido dos ponteiros do relógio até ficar completamente apertado.

Atenção! Verifique periodicamente as ligações para garantir que estão bem apertadas.

Remover a cabeça da lâmina (fig. C e D)

Se o suporte de extensão (10) estiver colocado, a cabeça da lâmina tem de ser removida primeiro.

- Para remover a cabeça da lâmina (4), coloque o cabo (3) no chão, desaperte o mandril (14) e retire a cabeça da lâmina.

Utilização

Atenção! Deixe a ferramenta funcionar ao seu próprio ritmo. Não a sobrecarregue.

Carregar a bateria (fig. A)

A bateria precisa de ser carregada antes da primeira utilização e sempre que não consiga produzir energia suficiente em trabalhos habitualmente feitos sem dificuldade. Quando carregar a bateria pela primeira vez, ou após um período de armazenamento prolongado, só irá aceitar 80% de carga.

Depois de vários ciclos de carregamento e descarregamento, a bateria irá atingir a capacidade total. A bateria pode aquecer quando carregar; isto é normal e não indica um problema.

Atenção! Não carregue a bateria a temperaturas ambientes abaixo de 10 °C ou acima de 40 °C. Temperatura de carregamento recomendada: aprox. 24 °C.

- Para carregar a bateria (11), remova-a da ferramenta e insira-a no carregador (12). A bateria só pode ser encaixada no carregador de uma forma. Não force. Certifique-se de que a bateria está completamente introduzida no carregador.
- Ligue o carregador.

Carregador de 8 horas

A bateria ficará totalmente carregada em, aproximadamente, 8 horas. Pode ser removida em qualquer altura ou mantida no carregador por tempo indeterminado.

Ligar e desligar (fig. E)

Para a sua segurança, esta ferramenta está equipada com um sistema de dois interruptores. Este sistema impede que a ferramenta seja ligada acidentalmente.

Ligar

- Pressione o botão de desbloqueio (2) para trás com o polegar ao mesmo tempo que prime o interruptor para ligar/desligar (1).
- Liberte o botão de desbloqueio (2).

Desligar

- Solte o interruptor para ligar/desligar (1).

Atenção! Nunca tente bloquear um interruptor de ligação na posição de ligado.

Podar (fig. F)

- Certifique-se de que a ferramenta está a funcionar à velocidade máxima antes de efectuar um corte.
- Segure a ferramenta com firmeza na posição de corte para evitar um eventual salto ou deslocamento lateral da ferramenta.
- Guie a ferramenta pelo ramo aplicando uma ligeira pressão. Quando cortar ramos pesados, onde um corte parcial pode lascas ou danificar a árvore, proceda da seguinte forma:
 - Faça o primeiro corte a 15 cm do tronco da árvore na parte inferior do ramo. Utilize a parte de cima da barra de direcção (7) para fazer este corte.
 - Corte um terço pelo diâmetro do ramo. Em seguida, corte a partir de cima.

Limpeza, manutenção e armazenamento

O seu aparelho/ferramenta Black & Decker com fios/sem fios foi concebido para funcionar durante um longo período de tempo com uma manutenção mínima.

Um funcionamento contínuo e satisfatório depende de uma manutenção adequada e da limpeza regular da ferramenta.

Atenção! Antes de proceder a qualquer acção de manutenção em ferramentas eléctricas com cabo/sem fios:

- Desligue e retire da tomada o aparelho/ferramenta
- Desligar e remover a bateria do aparelho/ferramenta caso o aparelho/ferramenta tenha uma bateria individual
- Deixe a bateria descarregar completamente se for integral e, em seguida, desligue-a
- Desligue o carregador antes de o limpar. O seu carregador não necessita de manutenção para além da limpeza regular.

Limpe regularmente as aberturas de ventilação no aparelho/ferramenta/carregador com uma escova suave ou um pano seco.

Limpe regularmente o compartimento do motor com um pano húmido. Não utilize nenhum produto de limpeza abrasivo ou à base de solvente.

Abra o mandril regularmente e bata no mesmo para remover qualquer vestígio de pó do seu interior (quando colocado).

Após a utilização e antes do armazenamento

- Limpe regularmente os encaixes de ventilação com uma escova limpa e seca.
- Para limpar a ferramenta, utilize apenas sabão neutro e um pano húmido. Nunca deixe nenhum líquido entrar na ferramenta e nunca mergulhe nenhuma parte da ferramenta em líquido.
- Remova os detritos utilizando uma escova rígida.
- Lubrifique a corrente com o óleo.

Instalar e retirar a corrente da serra (fig. G e H)

Atenção! Utilize sempre luvas de protecção durante a instalação ou remoção da corrente da serra. A corrente da serra é afiada e pode cortá-lo quando não estiver a ser utilizada.

- Coloque a ferramenta numa superfície firme e estável.
- Desaperte os parafusos (16) com a chave Allen fornecida. Retire os parafusos.
- Remova a cobertura da roda dentada (5) e o grampo da barra (17).
- Rode o parafuso (18) no sentido contrário ao dos ponteiros do relógio para permitir que a barra de direcção(6) recue e reduza a tensão na corrente da serra (7).
- Retire a corrente antiga da roda dentada (19) e da barra de direcção (6).
- Coloque a corrente nova na ranhura da barra de direcção e à volta da roda dentada. Certifique-se de que os dentes estão na direcção correcta, fazendo corresponder a seta da serra de corte com a seta da caixa.
- Certifique-se de que a ranhura (20) na barra de direcção se encontra sobre os pinos de localização (21) e que o orifício (22) abaixo da ranhura se encontra sobre o pino de ajuste (23).
- Volte a colocar a cobertura da roda dentada (5), o grampo da barra (17) e os parafusos (16).
- Aperte os parafusos (16) com a chave Allen fornecida.
- Ajuste a tensão da corrente, conforme descrito abaixo.

Para garantir um funcionamento sempre seguro, a corrente e a barra de direcção só podem ser substituídas por peças originais da Black & Decker. Número da peça de substituição da corrente A6158 número da peça de substituição da barra de direcção 623381-00.

Verificar e ajustar a tensão da corrente (fig. G)

- Verifique a tensão da corrente. A tensão está correcta quando a corrente (7) volta à sua posição após ter sido puxada em 3 mm da barra da corrente de corte com a suave pressão do polegar e do dedo médio. Não deverá restar qualquer 'folga' entre a barra de direcção (6) e a corrente da serra (7) no lado inferior.

Para ajustar a tensão:

- Desaperte os parafusos (16).
- Rode o parafuso (18) no sentido dos ponteiros do relógio.

Atenção! Não aplique uma tensão excessiva na corrente, pois pode provocar um desgaste excessivo e reduzir a duração da barra e da corrente.

- Assim que a tensão da corrente estiver correcta, aperte os parafusos (18).

Atenção! Quando a corrente é nova, verifique frequentemente a tensão, durante as duas primeiras horas de utilização, visto que a nova corrente tem tendência a esticar ligeiramente.

Lubrificar a corrente

A corrente da serra tem de ser lubrificada antes de cada utilização e após a limpeza utilizando apenas a classe correcta do óleo (cat. n.º A6027).

- Lubrifique toda a corrente da serra (7) uniformemente com o aplicador (9).

Armazenamento

Quando a ferramenta não for utilizada durante vários meses, deixe, de preferência, a bateria ligada ao carregador.

Caso contrário, proceda da seguinte forma:

- Carregue completamente a bateria.
- Remova a bateria da ferramenta.
- Guarde a ferramenta e a bateria num local seguro e seco.
- A temperatura de armazenamento deve situar-se sempre entre +10°C e +40 °C. Coloque a bateria numa superfície nivelada.
- Antes de utilizar a ferramenta após um tempo de inactividade prolongado, carregue totalmente a bateria de novo.

Protecção do ambiente



Recolha separada. Este produto não pode ser eliminado juntamente com os resíduos domésticos normais.

Se, em algum momento, for necessário substituir este produto Black & Decker ou se este deixar de ter utilidade, não elimine o produto num caixote do lixo. Este produto pode ser separado para reciclagem.



A recolha separada de produtos e embalagens usados permite que os materiais sejam reciclados e utilizados novamente. A reutilização de materiais reciclados ajuda a evitar a poluição ambiental e reduz a procura de matérias-primas.

A legislação local poderá prever a recolha separada de produtos domésticos eléctricos, seja em lixeiras municipais ou através do revendedor quando adquire um produto novo.

A Black & Decker dispõe de instalações para recolha e reciclagem de produtos Black & Decker quando estes atingem o fim da vida útil. Para usufruir deste serviço, devolva o produto em qualquer agente de reparação autorizado, que os recolherá em seu nome.

Pode verificar a localização do agente de reparação autorizado mais perto de si, contactando os escritórios locais da Black & Decker através do endereço indicado neste manual. Se preferir, pode encontrar na Internet uma lista de agentes de reparação autorizados Black & Decker, detalhes completos e contactos do serviço pós-venda, no endereço:

www.2helpU.com

Baterias



Quando as baterias chegam ao fim da vida útil, elimine-as de forma segura para o ambiente

- Não coloque os terminais da bateria em curto-circuito.
- Não elimine as baterias queimando-as, porque existe o risco de ferimentos pessoais ou de explosão.
- Deixe a bateria descarregar completamente e, em seguida, remova-a da ferramenta.

- As pilhas são recicláveis. Coloque as pilhas numa embalagem adequada, certificando-se de que os terminais não entram em curto-circuito. Leve as baterias ao seu agente de manutenção autorizado ou a uma estação de reciclagem local.

CE - Declaração de Conformidade

DIRECTIVA MÁQUINAS



GPC1800, GPC1800P

A Black & Decker declara que os produtos descritos em 'dados técnicos' estão em conformidade com as seguintes normas:

98/37/CE (até 28 Dezembro 2009), 2006/42/CE (a partir de 29 Dezembro 2009), EN60745-1,

Estes produtos estão também em conformidade com a Directiva 2004/108/CE. Para obter mais informações, contacte a Black & Decker no endereço indicado ou consulte a parte posterior do manual.

O signatário é responsável pela compilação do ficheiro técnico e efectua esta declaração em nome da Black & Decker.

Kevin Hewitt

Vice-Presidente, Engenharia Global
Black & Decker Europe, 210 Bath Road, Slough,
Berkshire, SL1 3YD
Reino Unido
12/04/2012

Dados técnicos

		GPC1800 (H2) GPC1800P (H2)
Tensão	V_{DC}	18
Velocidade da corrente sem carga	m/min	114
Peso	Kg	3,5
Comprimento máximo de corte	cm	17

Bateria		A18	A1718
Tensão	V_{DC}	18	18
Capacidade	Ah	1.5	1.7
Tipo de bateria		NiCd	NiCd

Carregador		9050084*
Voltagem de Entrada	V_{AC}	230 - 240V
Voltagem de saída	V_{DC}	21.75
Amperagem	mA	210
Tempo de carga aprox.	h	8

Nível de potência acústica em conformidade com EN ISO 3744: LWA = 98 dB(A), imprecisão (K) = 3 dB(A)

Nível de pressão acústica de acordo com EN ISO 11203: LPA = 78 dB(A), imprecisão (K) = 3 dB(A)

Valores totais de vibração (soma vectores triax) determinados em conformidade com EN 60745		
Corte de madeira	Valor de emissão de vibração ah=	<2,5 m/s ²
	Imprecisão K=	<1,5 m/s ²

Garantia

A Black & Decker confia na qualidade dos seus produtos e oferece uma garantia excelente. Esta declaração de garantia é um complemento dos seus direitos estabelecidos por lei, não os prejudicando de forma alguma.

A garantia é válida nos territórios dos Estados Membros da União Europeia e da Associação Europeia de Comércio Livre.

Se um produto Black & Decker avariar devido a defeitos de material, fabrico ou não conformidade, num período de 24 meses após a data da compra, a Black & Decker garante a substituição das peças defeituosas, a reparação de produtos sujeitos a um desgaste aceitável ou a substituição dos mesmos para garantir o mínimo de inconvenientes ao cliente, excepto se:

- O produto tiver sido utilizado para fins comerciais, profissionais ou de aluguer.
- O produto tiver sido submetido a utilização indevida ou descuido;
- O produto tiver sido danificado por objectos estranhos, substâncias ou acidentes;
- Tiverem sido tentadas reparações por pessoas que não sejam agentes de reparação autorizados ou técnicos de manutenção da Black & Decker.

Para accionar a garantia, terá de apresentar comprovativos de compra ao vendedor ou a um agente de reparação autorizado. Pode verificar a localização do agente de reparação autorizado mais perto de si, contactando os escritórios locais da Black & Decker através do endereço indicado neste manual. Se preferir, pode encontrar na Internet uma lista de agentes de reparação autorizados Black & Decker, detalhes completos e contactos do serviço pós-venda, no endereço:

www.2helpU.com

Visite o nosso Web site em www.blackanddecker.co.uk para registar o novo produto Black & Decker e manter-se actualizado relativamente a novos produtos e ofertas especiais. Pode encontrar mais informações sobre a marca Black & Decker e sobre a nossa gama de produtos em:

www.blackanddecker.eu

Användningsområde

Denna batteridrivna grensåg från Black & Decker är avsedd för beskärning av träd. Verktøget är endast avsett som konsumentverktøg. Den här Black & Decker-laddaren har utvecklats för att kunna ladda Black & Decker-batterier av den typ som medföljer detta verktøg.

Säkerhetsanvisningar

Allmänna säkerhetsanvisningar för elverktøg



Varning! Läs alla säkerhetsföreskrifter och anvisningar. Fel som uppstår till följd av att säkerhetsföreskrifterna och anvisningarna nedan inte följts kan orsaka elstøtar, brand och/eller allvarliga kroppsskador..

Spara alla säkerhetsföreskrifter och anvisningar för framtida bruk.

Begreppet "Elverktøg" nedan avser nätdrivna elverktøg (med nätsladd) och batteridrivna elverktøg (sladdlösa).

Säkerhet i arbetsområdet

- **Håll arbetsplatsen obelamrad och väl upplyst.** Oordning och dålig belysning på arbetsplatsen kan leda till olyckor.
- **För att undvika explosionsrisk bör du inte använda elverktøget i omgivningar med brännbara vätskor, gaser eller damm.** Elverktøg alstrar gnistor som kan antända dammet eller gaserna.
- **Håll barn och andra personer på betryggande avstånd när du använder elverktøget.** Om du blir distraherad kan du förlora kontrollen.

Elektrisk säkerhet

- **Elverktøgets stickkontakt måste passa i eluttaget. Stickkontakten får absolut inte ändras. Använd inte adapterkontakter tillsammans med jordade elverktøg.** Med oförändrade stickkontakter och passande vägguttag minskas risken för elstøtar.
- **Undvik kroppskontakt med jordade ytor som t.ex. rör, värmeelement, spisar och kylskåp.** Risken för elektriska støtar økar om din kropp är jordad.
- **Skydda elverktøget mot regn och vätå.** Om vatten tränger in i ett elverktøg økar risken för elektriska støtar.

- **Hantera inte nätsladden ovarsamt. Använd inte sladden för att bära eller dra elverktøget och inte heller för att dra ut kontakten ur vägguttaget. Håll nätsladden borta från värme, olja, skarpa kanter och rörliga maskindelar.** Risken att du får en elstøt är större om sladdarna är skadade eller tilltrasslade.
- **Använd endast förlängningssladdar som är godkända för utomhusbruk när du arbetar med elverktøg utomhus.** Om du använder en förlängningssladd som är avsedd för utomhusbruk minskar risken för att du ska få en elstøt.
- **Om du måste använda ett elverktøg på en fuktig plats ska du använda jordfelsbrytare.** Jordfelsbrytaren minskar risken för støtar.

Personlig säkerhet

- **Var uppmärksam, se på vad du gör och använd elverktøget med förnuft. Använd inte elverktøget när du är trött eller om du är påverkad av droger, alkohol eller mediciner.** Vid användning av elverktøg kan även en kort tids uppmärksamhet leda till allvarliga kroppsskador.
- **Använd skyddsutrustning. Bär alltid skyddsglasøgon.** Den personliga skyddsutrustningen, t.ex. dammfiltermask, halkfria säkerhetsskor, hjälm och hörselskydd, minskar risken för kroppsskada när den används vid rätt tillfällen.
- **Undvik oavsiktlig igångsätning. Kontrollera att strömbrytaren står i avstängt läge innan du ansluter verktøget till elnätet eller sätter i batteriet, samt innan du tar upp eller bär verktøget.** Det kan vara mycket farligt att bära ett elverktøg med fingret på strömbrytaren eller koppla det till nätet respektive sätta i batteriet med strömbrytaren i till-läge.
- **Ta bort alla inställningsverktøg och skruvnycklar innan du startar elverktøget.** Ett verktøg eller en nyckel i en roterande komponent kan orsaka kroppsskada.
- **Sträck dig inte för långt. Se till att du alltid har säkert fotfäste och balans.** Därmed har du bättre kontroll över elverktøget i oväntade situationer.
- **Bär lämpliga kläder. Bär inte löst hängande kläder eller smycken. Håll undan hår, kläder och handskar från rörliga delar.** Löst hängande kläder, smycken och långt hår kan fastna i roterande delar.
- **Om elverktøget har utrustning för dammsugning och -uppsamling ska du kontrollera att utrustningen är rätt monterad och används på korrekt sätt.** Utrustningen kan minska riskerna när damm bildas.

Bruk och skötsel av elverktyg

- **Överbelasta inte elverktyget. Använd rätt elverktyg för det aktuella arbetet.** Med rätt elverktyg kan du arbeta bättre och säkrare med det som verktyget är avsett för.
- **Använd inte elverktyget om det inte går att starta och stänga av det med strömbrytaren.** Ett elverktyg som inte kan startas och stängas av med strömbrytaren är farligt och måste repareras.
- **Dra ut stickproppen ur vägguttaget och/eller ta ut batteriet ur elverktyget innan inställningar utförs, tillbehör byts eller elverktyget ställs undan.** Denna säkerhetsåtgärd förhindrar oavsiktlig start av elverktyget.
- **Förvara elverktyg utom räckhåll för barn. Låt inte elverktyget användas av personer som inte är vana vid det, eller som inte läst denna bruksanvisning.** Elverktyg är farliga om de används av ovana personer.
- **Sköt elverktyget omsorgsfullt. Kontrollera att rörliga komponenter fungerar felfritt och inte kräver, att komponenter inte gått sönder eller skadats och inget annat föreligger som kan påverka elverktygets funktion.** Om elverktyget är skadat ska du se till att få det reparerat innan det används. Många olyckor orsakas av dåligt skötta elverktyg.
- **Håll skärverktyg vassa och rena.** Omsorgsfullt skötta skärverktyg med skarp egg fastnar inte så lätt och går lättare att styra.
- **Använd elverktyget, tillbehör, insatsverktyg o.s.v. enligt dessa anvisningar och på det sätt som föreskrivits för aktuell verktygsmodell.** Ta hänsyn till arbetsvillkoren och arbetsmomenten. Om elverktyget används på felaktigt sätt kan farliga situationer uppstå.

Användning och skötsel av elverktyg

- **Ladda endast med hjälp av den laddare som tillverkaren rekommenderar.** En laddare som passar till en viss sorts batteri kan orsaka eldsvåda om den används med en annan sort.
- **Använd elverktyget endast med batterier som är speciellt avsedda för ändamålet.** Användning av andra batterier kan leda till personskador eller eldsvåda.
- **När batteriet inte används ska du hålla det åtskilt från metallföremål som gem, mynt, nycklar, spik, skruvar och andra små metallföremål som kan orsaka kortslutning mellan batteriets poler.** Kortslutning av batteripolerna kan leda till brännskador eller eldsvåda.

- **Om batteriet hanteras ovarsamt kan det tränga ut vätska från batteriet. Undvik kontakt med vätskan. Om du ändå råkar komma i kontakt med vätskan ska du skölja med vatten. Uppsök läkare om du får vätskan i ögonen.** Batterivätska kan orsaka irritation eller brännskador.

Service

- **Elverktyget ska bara repareras av utbildade reparatörer och med originalreservdelar. Detta säkerställer att elverktyget förblir säkert.**

Ytterligare säkerhetsanvisningar för grensågar

Användningsområdet beskrivs i den här bruksanvisningen. Verktyget får inte användas för andra ändamål än vad det konstruerats för. Använd det t.ex. inte för trädfällning. Användning av andra tillbehör eller tillsatser eller användning av det här verktyget som inte rekommenderas i den här bruksanvisningen kan leda till personskador.

- Använd tät åtsittande och skyddande kläder och en säkerhetshjälm med visir/skyddsglasögon, hörselskydd, halkfria skodon, skyddande arbetsbyxor och kraftiga läderhandskar.
- Se alltid till att du befinner dig på säkert avstånd från eventuella fallande grenar.
- Säkerhetsavståndet mellan grenar som faller ned och personer som står nära, byggnader och andra föremål är minst 2 1/2 gånger längden på grenen. Alla personer, byggnader och föremål inom detta avstånd löper risk att träffas av den fallande grenen.
- Se i förväg ut en nödutväg bort från nedfallande träd eller grenar. Se till att vägen är fri från hinder som kan begränsa dina rörelser. Tänk på att vått gräs och nyskalad bark är halt.
- Se till att ha någon i närheten (på säkert avstånd) i händelse av olycka.
- Använd inte verktyget när du står uppe i ett träd eller på en stege eller någon annan instabil yta.
- Se till att du alltid har säkert fotfäste och balans.
- Håll sågen stadigt med båda händerna när motorn är i gång.
- Låt inte den löpande kedjan komma emot något föremål vid spetsen av svärdet.
- Sägning får inte påbörjas förrän kedjan går med full fart.
- Försök inte att säga i en gammal skåra. Börja alltid med en ny skåra.

- Se upp för korsande grenar eller annat som kan stoppa sågningen och nypa fast eller falla ned på kedjan.
- Försök inte att såga av en gren vars diameter är större än längden på verktygets sågande del.
- Avlägsna alltid batteriet från verktyget och placera kedjeskyddet över kedjan vid förvaring eller transport av verktyget.
- Se till att kedjan är välslipad och korrekt spänd. Kontrollera kedjespänningen regelbundet.
- Stäng alltid av verktyget, låt kedjan stanna och avlägsna batteriet från verktyget innan du gör justeringar eller utför service eller underhåll.
- Använd endast originalreservdelar och -tillbehör.
- Bär grensågen i handtaget medan den är avstängd. Inför transport eller förvaring bör du alltid montera ned grensågen i delar och se till att svärdskyddet är på. Rätt hantering av grensågen minskar risken för kroppsskador och skador på andra personer.

Övriga risker

Ytterligare risker som inte finns med i de bifogade säkerhetsföreskrifterna kan uppstå när verktyget används. Dessa risker kan uppstå vid felaktig användning, långvarig användning, o.s.v.

Även om alla relevanta säkerhetsföreskrifter följs och säkerhetsanordningar används kan vissa ytterligare risker inte undvikas. Dessa innefattar:

- Skador orsakade av att roterande/rörliga delar vidrörs.
- Skador som uppstår vid byte av delar, blad eller tillbehör.
- Skador som orsakas av långvarig användning av ett verktyg. Se till att ta regelbundna raster när du använder ett verktyg under en längre period.
- Skador på hörseln.
- Hälsorisker orsakade av inandning av damm när verktyget används (exempel: arbete med trä, särskilt ek, bok och MDF).

Vibrationer

De vibrationsvärden som anges i avsnitten Tekniska data och EG-deklarationen om överensstämmelse har uppmätts i enlighet med en standardtestmetod föreskriven i EN 60745 och kan användas för jämförelse med andra verktyg. Det angivna vibrationsvärdet kan även användas för en preliminär bedömning av exponeringen.

Varning! Vibrationsvärdet under faktisk användning av elverktyget kan skilja sig från det uppgivna värdet beroende på hur verktyget används. Vibrationsnivån kan överstiga den angivna nivån.

Vid uppskattning av vibrationsexponering i syfte att bedöma vilka säkerhetsåtgärder som är nödvändiga enligt 2002/44/EG för att skydda personer som regelbundet använder elverktyg i arbetet ska man utgå från de faktiska omständigheter under vilka elverktyget används och sättet på vilket det används. Bedömningen ska även ta hänsyn till alla moment i arbetscykeln, t.ex. när verktyget är avstängt och när det går på tomgång såväl som när det faktiskt används.

Beskränning

Innan du börjar beskära träd bör du ta reda på vad lokala bestämmelser säger om trädfällning.

- Var medveten om i vilken riktning grenar kan falla. Ta hänsyn till alla förhållanden som kan påverka fallriktningen, bland annat:
 - längd och vikt på den gren som ska beskäras
 - den tänkta fallriktningen
 - alla ovanligt kraftiga eller murkna grenar
 - kringstående träd och hinder, även ovanför marken,
 - t.ex. luftledning
 - sammanflätning med andra grenar
 - vindens hastighet och riktning.
- Ta hänsyn till avståndet till grenen.

Trädgrenar kan röra sig mot trädstammen.

Förutom användaren riskerar även personer som befinner sig i närheten, byggnader samt föremål under grenen att träffas av den fallande grenen.

Säkerhet för andra

- Redskapet ska inte användas av personer (inklusive barn) med nedsatt fysisk eller psykisk förmåga eller bristande erfarenhet eller kunskap, om de inte får vägledning och övervakas av en person som ansvarar för deras säkerhet.
- Barn ska hållas under uppsikt så att de inte leker med apparaten.

Varningssymboler

Följande varningssymboler finns på apparaten:



Varning! Läs bruksanvisningen före användning för att minska risken för olyckor.



Använd inte verktyget under fuktiga förhållanden eller om det regnar.



Använd alltid skydd för huvud och ögon.



Använd halkfria säkerhetsskor.



Se upp för fallande föremål. Håll åskådare borta.



Risk för elstötar med dödlig utgång. Håll dig minst 10 meter från luftledningar.



Kontrollera var tionde minut att kedjan är ordentligt spänd (se anvisningarna i denna bruksanvisning) och justera den inom en marginal på 3 mm efter behov. Smörj kedjan var 10:e minut vid användning.



Kedjans rotationsriktning.



Varning! Rör inte kedjan vid spånkastet.

Ytterligare säkerhetsinstruktioner för batterier och laddare

Batterier

- Försök aldrig att öppna batterierna.
- Utsätt inte batteriet för vatten.
- Utsätt inte batteriet för värme.
- Förvara inte på platser där temperaturen kan bli högre än 40 °C.
- Ladda endast vid temperaturer mellan 10 °C och 40 °C.
- Ladda endast med hjälp av laddaren som medföljer apparaten/verktyget. Användning av fel laddare kan resultera i en elektrisk stöt eller att batteriet överhettas.
- Följ instruktionerna som anges i avsnittet "Miljö" när du kastar batterierna.
- Skydda batteriet från skador/deformeringar i form av slag och stötar eftersom det kan leda till personskador eller eldsvåda. Ladda inte skadade batterier.
- Under extrema förhållanden kan batterierna läcka. Om det finns vätska på batterierna ska du torka bort vätskan försiktigt med en trasa. Undvik hudkontakt.

- Vid kontakt med hud eller ögon ska du följa instruktionerna nedan.

Varning! Batterivätskan kan orsaka person- eller materialskador. Vid hudkontakt, skölj genast med vatten. Vid rodnader, smärta eller irritation ska läkare uppsökas. Vid kontakt med ögon, skölj genast med rent vatten, och uppsök läkare.

Laddare

Laddaren är avsedd för en viss spänning. Kontrollera alltid att nätspänningen överensstämmer med värdet på typskylten.

Varning! Försök aldrig byta ut kontakten till laddaren mot en vanlig kontakt.

- Använd laddaren från Black & Decker endast för att ladda batteriet i den apparat eller det verktyg som laddaren levererades med. Andra batterier kan spricka och orsaka personskador och andra skador.
- Försök aldrig att ladda ej uppladdningsbara batterier.
- Om nätsladden är skadad måste den för undvikande av fara bytas ut av tillverkaren eller en auktoriserad Black & Decker-verkstad.
- Utsätt inte laddaren för vatten.
- Öppna inte laddaren.
- Gör ingen åverkan på laddaren.
- Apparaten/verktyget/batteriet ska placeras på en plats med god ventilation vid laddning.

Etiketter på laddaren

Följande symboler finns på laddaren:



Laddaren är endast avsedd för användning inomhus



Läs den här bruksanvisningen före användning.



Laddaren stängs av automatiskt om temperaturen blir för hög. När temperaturen har sjunkit sätter laddaren igång att ladda igen.



Ladda endast vid temperaturer mellan 10 °C och 40 °C.

Elektrisk säkerhet



Eftersom laddaren är dubbelisolerad behövs ingen jordledare. Kontrollera alltid att nätspänningen överensstämmer med värdet på typskylten. Försök aldrig byta ut kontakten till laddaren mot en vanlig kontakt.

Översikt

1. Strömbrytare
2. Låsknapp
3. Huvudhandtag
4. Såghuvud
5. Kedjekåpa
6. Svärd
7. Kedja
8. Kedjeskydd
9. Smörjningsflaska
10. Förlängningsrör
11. Batteri

Bild A

12. Laddare

Montering

Varning! Ta ur batteriet innan du sätter ihop verktyget.

Montera och ta bort batteriet (fig. B)

- Sätt i batteriet (11) genom att placera det i linje med kontakten på verktyget. Skjut in batteriet på dess plats och tryck tills batteriet snäpper på plats.
- Ta ur batteriet genom att trycka på frigöringsknappen (13) samtidigt som du drar ut batteriet från dess plats.

Varning! För att undvika skador till följd av oavsiktlig start bör du kontrollera att batteriet har avlägsnats och att kedjeskyddet sitter på sågkedjan innan du gör nedanstående. Om inte ovanstående rekommendationer följs kan det leda till allvarliga personskador.

Montera såghuvudet (fig. C)

Såghuvudet kan monteras direkt på handtaget för normal räckvidd.

- Rikta in spåret på utsidan av handtagets kopplingsände (3) mot tungan på insidan av såghuvudets kopplingsände (4). Tryck såghuvudet (4) mot handtaget (3).
- Skjut kragen (14) nedåt och vrid den medurs tills den är helt åtdragen.

Varning! Kontrollera regelbundet att anslutningarna sitter ordentligt.

Förlänga såghuvudet (fig. D)

Den maximala längden erhålls genom att förlängningsröret (10) monteras mellan såghuvudet (4) och handtaget (3).

- Rikta in spåret på utsidan av handtagets kopplingsände (3) mot tungan på insidan av såghuvudets förlängningsrör (10).
- Tryck förlängningsröret (10) mot handtaget (3).
- Skjut kragen (15) nedåt och vrid den medurs tills den är helt åtdragen.
- Rikta in spåret på utsidan av handtagets förlängningsröret (10) mot tungan på insidan av såghuvudets (4)kopplingsände.
- Tryck såghuvudet (4) mot förlängningsröret (10).
- Skjut kragen (14) nedåt och vrid den medurs tills den är helt åtdragen.

Varning! Kontrollera regelbundet att anslutningarna sitter ordentligt.

Ta bort såghuvudet (fig. C och D)

Innan förlängningsröret (10) monteras måste såghuvudet tas bort.

- Du tar bort såghuvudet (4) genom att placera handtaget (3) på marken, lossa kragen (14) och ta av såghuvudet.

Användning

Varning! Låt verktyget arbeta i sin egen takt. Överbelasta det inte.

Ladda batteriet (fig. A)

Batteriet måste laddas innan det används för första gången och sedan varje gång som det inte ger tillräckligt hög effekt för arbeten som annars brukar gå bra. När batteriet laddas för första gången, eller efter en längre tids vila, kan det bara laddas till 80 procent.

Det uppnår full kapacitet efter några laddnings- och urladdningscykler. Batteriet kan bli varmt när det laddas. Det är normalt och innebär inte att något är fel.

Varning! Ladda inte batteriet om lufttemperaturen är lägre än 10 °C eller högre än 40 °C.

Rekommenderad laddningstemperatur: cirka 24 °C.

- Vid laddning tar du ut batteriet (11) ur verktyget och sätter det i laddaren (12). Batteriet kan bara placeras i laddaren på ett sätt. Använd inte våld. Se till att batteriet sitter ordentligt i laddaren.

- Anslut laddaren.

Åttatimmarsladdare

Batteriet blir fulladdat på ca åtta timmar. Det kan tas bort från laddaren när som helst eller lämnas i laddaren hur länge som helst.

Slå på och av (fig. E)

Sågen är för din säkerhet utrustad med dubbelt strömbrytarsystem. Det förhindrar att sågen kan startas av misstag.

Starta verktyget

- Skjut låsknappen (2) bakåt med din tumme och tryck samtidigt på strömbrytaren (1).
- Släpp låsknappen(2).

Stänga av apparaten

- Släpp strömbrytaren(1).

Varning! Försök aldrig låsa eller fixera strömbrytaren i påslaget läge.

Beskärning (fig. F)

- Se till att sågen har full fart innan du börjar såga.
- Håll sågen stadigt för att undvika att den gör kast eller flyttar sig åt sidan.
- Styr sågen genom grenen med ett lätt tryck. När du sågar genom grova grenar och en delvis genomsågning riskerar att splittra och skada trädet gör du följande:
-Gör det första skåret 15 cm från trädstammen på grenens undersida. Använd svärdets (7) översida för att göra det skåret.
-Gör ett skär som motsvarar en tredjedel av grenens diameter. Därefter sågar du uppifrån och ned.

Rengöring, underhåll och förvaring

Det här Black & Decker-verktyget (med eller utan sladd) är konstruerat för att fungera under lång tid med minsta möjliga underhåll.

Med rätt underhåll och regelbunden rengöring behåller verktyget sina prestanda.

Varning! Innan något underhåll utförs på elektriska verktyg med eller utan sladd:

- Stäng av verktyget och dra ur nätkontakten
- Du kan också ta ur batteriet ur apparaten om apparaten har ett separat batteri.
- Ytterligare ett alternativ är att låta batteriet laddas ur helt om det är integrerat och sedan stänga av den.

- Dra ur sladden till laddaren innan du rengör den. Laddaren behöver inget annat underhåll än regelbunden rengöring.

Rengör regelbundet apparatens/verktygets/laddarens luftintag med en mjuk borste eller torr trasa. Rengör kåpan regelbundet med en fuktig trasa. Använd aldrig rengöringsmedel med lösnings- eller slipmedel. Öppna chucken (där sådan finns) med jämna mellanrum och knacka på den för att avlägsna damm som sitter på insidan.

Efter användning och innan förvaring

- Rengör regelbundet ventilationsöppningarna med en ren och torr målarborste.
- Använd bara mild tvål och en fuktig trasa för att rengöra sågen. Låt aldrig någon vätska komma in i sågen och doppa den aldrig i någon vätska.
- Avlägsna skräp med en hård borste.
- Smörj kedjan med olja.

Montera eller ta bort sågkedjan (fig. G och H)

Varning! Använd alltid skyddshandskar när sågkedjan monteras eller tas bort. Kedjan är vass och du kan skära dig även när den inte är i rörelse.

- Lägg verktyget på ett stabilt och stadigt underlag.
- Lossa skruvarna (16) med den medföljande insexnyckeln. Ta bort skruvarna.
- Ta bort den gamla kedjekåpan(5)och svärdklämman (17).
- Vrid skruven (18) moturs så att svärdet (6) dras tillbaka och spänningen på sågkedjan (7) minskas.
- Ta bort den gamla sågkedjan från kugghjulet (19)och svärdet (6).
- Lägg den nya sågkedjan i skåran på kedjesvärdet och runt kugghjulet. Se till så att tänderna pekar i rätt riktning genom att matcha pilen på sågkedjan med pilen på höljet.
- Se till att öppningen (20) på svärdet ligger ovanför styrstiften (21) och att hålet (22) nedanför öppningen ligger ovanför justeringsstiftet (23).
- Sätt tillbaka kedjekåpan(5)och svärdklämman (17)och skruvarna (16).
- Dra åt skruvarna (16) med den medföljande insexnyckeln.
- Justera kedjespänningen enligt anvisningarna nedan.

Kedjan och svärdet bör endast ersättas med originaldelar från Black & Decker för att garantera fortsatt säker drift. Kedja med reservdelsnummer A6158 och svärd med reservdelsnummer 623381-00.

Kontroll och justering av kedjespänning (fig. G)

- Kontrollera kedjespänningen. Kedjan (7) är rätt spänd när den snäpper tillbaka efter att du dragit ut den 3 mm från svärdet med lätt kraft med långfingret och tummen. Sågkedjan (7) ska inte "hänga ned" från svärdet (6) på undersidan.

Justera spänningen:

- Lossa på skruvarna (16).
- Vrid skruven (18) medurs.

Varning! Spänn inte kedjan för hårt eftersom det ger ökad förlitning och kommer att minska svärdets och kedjans livslängd.

- Dra åt skruvarna (18) när kedjan är rätt spänd.

Varning! Kontrollera kedjespänningen ofta under de två första timmarna när sågen används första gången eftersom en ny kedja sträcks något.

Smörjning av kedjan

Sågkedjan måste smörjas innan varje användning samt efter rengöring med rätt sorts olja (kat.nr. A6027).

- Smörj hela sågkedjan (7) med hjälp av applikatorn (9).

Förvaring

Du bör låta batteriet sitta kvar i laddaren när sågen inte ska användas under längre tid (månader).

I annat fall gör du följande:

- Ladda batteriet fullt.
- Ta ut batteriet ur verktyget.
- Förvara verktyget och batteriet på ett säkert och torrt ställe.
- Temperaturen i förvaringsutrymmet måste alltid ligga mellan +10°C och +40°C. Placera batteriet på ett jämnt underlag.
- Ladda batteriet fullt innan du använder verktyget efter att det legat oanvänt under en längre tid.

Tänk på miljön när du slänger denna Black & Decker-produkt. Släng den inte tillsammans med hushållsavfallet. Lämna produkten för separat insamling.



Insamling av uttjänta produkter och förpackningsmaterial gör att material kan återanvändas. Återanvändning av återvunnet material minskar föroreningar av miljön och behovet av råmaterial.

Lokala föreskrifter kan kräva separat insamling av elprodukter från hushållen, vid kommunala samlingsplatser eller hos återförsäljaren när du köper en ny produkt.

Black & Decker samlar in och återvinner uttjänta Black & Decker-produkter. Om du vill utnyttja denna tjänst återlämnar du produkten till en auktoriserad verkstad, som samlar in den för vår räkning.

För information om närmaste auktoriserade verkstad, kontakta det lokala Black & Decker-kontoret på den adress som är angiven i bruksanvisningen. En lista över alla auktoriserade verkstäder samt servicevillkor finns på Internet:

www.2helpU.com

Batterier



Kassera batterierna på ett miljövänligt sätt när de är förbrukade

- Undvik att kortsluta batteripolerna.
- Bränn aldrig batterier eftersom det kan leda till personskador eller orsaka en explosion.
- Låt batteriet laddas ur helt och ta sedan ut det ur verktyget.
- Batterierna kan återvinnas. Packa in batterierna så att polerna inte kan kortslutas. Ta med dem till en auktoriserad verkstad eller en återvinningsstation.

Miljö



Separat insamling. Produkten får inte kastas i hushållssoporna.

Tekniska data

		GPC1800 (H2) GPC1800P (H2)	
Spänning	V _{DC}	18	
Kedjehastighet utan belastning	m/min	114	
Vikt	Kg	3,5	
Max. skärlängd	cm	17	

Batteri		A18	A1718
Spänning	V _{DC}	18	18
Kapacitet	Ah	1.5	1.7
Batterityp		NiCd	NiCd

Laddare		9050084*	
Spänning	V _{AC}	230 -	240V
Utspänning	V _{DC}	21.75	
Amperetal	mA	210	
Laddningstid cirka	h	8	

Ljudnivå enligt EN ISO 3744: LWA = 98 dB(A),
osäkerhet (K) = 3 dB(A)

Ljudnivå enligt EN ISO 11203: LPA = 78 dB(A),
osäkerhet (K) = 3 dB(A)

Totala vibrationsvärden (vektorsumman av tre riktningar) fastställda enligt EN 60745			
Skära i trä	Vibrationsvärde a _h =	<2,5	m/s ²
	Osäkerhet K=	<1,5	m/s ²

EG-deklaration om överensstämmelse

MASKINDIREKTIV



GPC1800, GPC1800P

Black & Decker garanterar att produkterna som beskrivs under "Tekniska data" uppfyller: 98/37/EG (fram till 28 dec 2009), 2006/42/EG (från och med 29 dec 2009), EN60745-1,

De här produkterna överensstämmer även med direktivet 2004/108/EG. Mer information får du genom att kontakta Black & Decker på följande adress eller titta i slutet av bruksanvisningen.

Undertecknad är ansvarig för sammanställningen av tekniska data och gör denna försäkran för Black & Decker.

Kevin Hewitt
Vice-President Global Engineering
Black & Decker Europe, 210 Bath Road, Slough,
Berkshire, SL1 3YD
Storbritannien
12/04/2012

Garanti

Black & Decker garanterar att produkten är fri från material- och/eller fabriktionsfel vid leverans till kund. Garantin gäller utöver konsumentens rättigheter enligt lag och påverkar inte dessa.

Garantin gäller inom medlemsstaterna i Europeiska Unionen och i det Europeiska Frihandelsområdet.

Om en Black & Decker-produkt går sönder på grund av material- och/eller fabriktionsfel eller brister i överensstämmelse med specifikationen, inom 24 månader från köpet, åtar sig Black & Decker att reparera eller byta ut produkten med minsta besvär för kunden, förutom om:

- Produkten har använts i kommersiellt eller yrkesmässigt syfte eller i uthyringssyfte.
- Produkten har utsatts för felaktig användning eller skötsel.
- Produkten har skadats av främmande föremål, ämnen eller genom olyckshändelse.
- Reparation har utförts av någon annan än en auktoriserad Black & Decker-verkstad.

Vid garantianspråk ska produkten och inköpskvittot lämnas till återförsäljaren eller till en auktoriserad verkstad. För information om närmaste auktoriserade verkstad, kontakta det lokala Black & Decker-kontoret på den adress som är angiven i bruksanvisningen. En lista över alla auktoriserade verkstäder samt servicevillkor finns på Internet:

www.2helpU.com

Besök vår webbplats www.blackanddecker.se för att registrera din nya Black & Decker-produkt samt för att erhålla information om nya produkter och specialerbjudanden. Mer information om märket Black & Decker och vårt produktsortiment finns på:

www.blackanddecker.se

Bruksområde

Denne batteridrevne beskjæringssaksen fra Black & Decker er konstruert for å beskjære trær. Verktøyet er beregnet bare som konsumentverktøy. Laderen fra Black & Decker er utformet for å lade Black & Decker-batterier av den typen som følger med dette verktøyet.

Sikkerhetsinstruksjoner

Generelle sikkerhetsadvarsler for elektroverktøy



Advarsel! Les alle sikkerhetsadvarsler og alle instruksjoner. Hvis advarslene og anvisningene nedenfor ikke overholdes, kan det medføre elektrisk støt, brann og/eller alvorlige personskader.

Ta vare på alle advarsler og instruksjoner for fremtidig bruk.

Uttrykket "elektroverktøy" i alle advarslene nedenfor gjelder for strømdrevne elektroverktøy (med ledning) og batteridrevne elektroverktøy (uten ledning).

Sikkerhet i arbeidsområdet

- **Hold arbeidsområdet rent, og ha godt lys der.** Rotete eller mørke områder kan lett føre til ulykker.
- **Ikke arbeid med elektroverktøy i eksplosjonsfarlige omgivelser – der det befinner seg brennbare væsker, gass eller støv.** Elektroverktøy forårsaker gnister som kan antenne støv eller gass/damp.
- **Hold barn og andre personer unna når du bruker et elektroverktøy.** Hvis du blir forstyrret under arbeidet, kan du miste kontrollen.

Elektrisk sikkerhet

- **Støpselet til elektroverktøy må passe i stikkontakten. Støpselet må ikke forandres på noen som helst måte. Ikke bruk adapterstøpsler sammen med jodede elektroverktøy.** Bruk av originale støpsler og passende stikkontakter reduserer risikoen for elektrisk støt.
- **Unngå kroppskontakt med jodede overflater som rør, radiatorer, komfyrer og kjøleskap.** Det er større fare for elektrisk støt dersom kroppen din er jodet.

- **Hold elektroverktøy unna regn eller fuktighet.** Dersom det kommer vann i et elektroverktøy, øker faren for elektrisk støt.
- **Unngå uforsvarlig behandling av ledningen. Bruk aldri ledningen til å bære eller trekke elektroverktøyet eller til å trekke ut støpselet. Hold ledningen unna varme, olje, skarpe kanter eller bevegelige deler.** Skadde eller sammenflokede ledninger øker risikoen for elektrisk støt.
- **Når du bruker et elektroverktøy utendørs, må du bruke en skjøteledning som er egnet for utendørs bruk.** Når du bruker en skjøteledning som er egnet for utendørs bruk, reduseres risikoen for elektrisk støt.
- **Hvis du ikke kan unngå å bruke et elektroverktøy på et fuktig sted, bruker du strømforsyning som er beskyttet med jordfeilbryter.** Bruk av jordfeilbryter reduserer risikoen for elektrisk støt.

Personsikkerhet

- **Vær oppmerksom, pass på hva du gjør, og vis fornuft når du arbeider med et elektroverktøy. Ikke bruk elektroverktøy når du er trett eller er påvirket av narkotika, alkohol eller medikamenter.** Et øyeblikks uoppmerksomhet under bruk av verktøyet kan føre til alvorlige personskader.
- **Bruk personlig verneutstyr. Bruk alltid vernebriller.** Bruk av personlig verneutstyr, for eksempel støvmaske, sklisliske vernesko, hjelm eller hørselvern som passer til forholdene, reduserer risikoen for personskader.
- **Forhindre utilsiktet start. Kontroller at bryteren står i posisjon "av" før du kobler til strømkilden og/eller batteripakken, og før du tar opp eller bærer verktøyet.** Det kan føre til ulykker hvis du bærer elektroverktøyet med fingeren på bryteren, eller setter strøm på verktøyet når bryteren står på.
- **Fjern eventuelle innstillingsverktøy eller skruverktøy før du slår på elektroverktøyet.** Et skruverktøy eller en nøkkel som fortsatt er festet til en roterende del av elektroverktøyet, kan føre til personskade.
- **Ikke strekk deg for langt. Pass på at du alltid har sikkert fotfeste og god balanse.** Da kan du kontrollere elektroverktøyet bedre i uventede situasjoner.
- **Bruk egnede klær. Ikke bruk løstsittende klær eller smykker. Hold hår, klær og hansker unna bevegelige deler.** Løstsittende tøy, smykker eller langt hår kan bli sittende fast i bevegelige deler.

- Hvis det kan monteres støvavsug- og oppsamlingsinnretninger, må du forvise deg om at disse er tilkoblet og brukes på riktig måte. Bruk av støvoppsamling kan redusere færer i forbindelse med støv.

Bruk og behandling av elektroverktøy

- **Ikke bruk makt på elektroverktøyet. Bruk riktig elektroverktøy for bruksområdet.** Med et passende elektroverktøy arbeider du bedre og sikrere med den farten det er beregnet for.
- **Ikke bruk elektroverktøyet hvis du ikke kan slå det på og av med bryteren.** Et elektroverktøy som ikke kan kontrolleres med bryteren, er farlig og må repareres.
- **Trekk støpselet ut av stikkkontakten og/eller koble fra batteripakken på elektroverktøyet før du utfører innstillinger, bytter tilbehør eller legger elektroverktøyet bort.** Disse forebyggende sikkerhetsiltakene reduserer risikoen for utilsiktet start av elektroverktøyet.
- **Elektroverktøy som ikke er i bruk, må oppbevares utilgjengelig for barn. Ikke la verktøyet bli brukt av personer som ikke er fortrolig med det, eller som ikke har lest denne bruksanvisningen.** Elektroverktøy er farlige når de brukes av uerfarne personer.
- **Sørg for vedlikehold av elektroverktøy. Undersøk om bevegelige deler er feiljustert eller blokkert, om deler er skadet, og om det er andre forhold som kan påvirke elektroverktøyets funksjon.** Hvis elektroverktøyet er skadet, må det repareres før bruk. Dårlig vedlikeholdt elektroverktøy er årsaken til mange ulykker.
- **Hold skjæreverktøy skarpe og rene.** Godt vedlikeholdte skjæreverktøy med skarpe egger setter seg ikke så ofte fast og er lettere å føre.
- **Bruk elektroverktøy, tilbehør, bits osv. i henhold til disse instruksjonene. Ta hensyn til arbeidsforholdene og arbeidet som skal utføres.** Bruk av elektroverktøy til andre formål enn det som er angitt, kan føre til farlige situasjoner.

Bruk og stell av batteriverktøyet

- **Gjenoppladningen skal bare skje med den laderen som produsenten har spesifisert.** En lader som er egnet til én type batteripakke, kan føre til brannrisiko når den brukes med en annen batteripakke.
- **Bruk elektroverktøy bare med spesifikt angitte batteripakker.** Bruk av andre batteripakker kan føre til fare for personskader og brann.

- **Når batteripakken ikke er i bruk, må du oppbevare den atskilt fra andre metallgjenstander som binders, mynter, nøkler, spiker, skruer eller andre små metallgjenstander som kan opprette en forbindelse fra en terminal til en annen.** Kortslutning av batteriterminalene kan føre til forbrenning eller brann.
- **Under uheldige forhold kan det lekke væske fra batteriet. Unngå å komme i kontakt med væsken. Dersom du ved et uhell kommer i kontakt med væsken, må du skylle med vann. Får du batterivæske i øynene, må du i tillegg oppsøke lege.** Væske som lekker fra batteriet, kan forårsake irritasjoner eller forbrenninger.

Service

- **Elektroverktøy skal alltid repareres av kvalifisert personell og kun med originale reservedeler.** Dette sikrer at elektroverktøyets sikkerhet opprettholdes.

Ytterligere sikkerhetsinstruksjoner for beskjæringssaker

Beregnet bruk er beskrevet i denne håndboken. Ikke bruk verktøyet til formål det ikke er beregnet for. For eksempel skal du ikke bruke verktøyet til å felle trær. Bruk av tilbehør eller utføring av oppgaver som ikke er anbefalt for verktøyet i denne håndboken, kan medføre fare for personskade.

- Bruk tettstittende og beskyttende klær og hjelm med visir/vernebriller, hørselvern, sklissikkert fottøy, beskyttende snekkerbukser og kraftige lærhansker.
- Plasser deg alltid slik at du ikke står der grener faller ned.
- Trykk avstand mellom grener som skal kuttes og personer, bygninger og andre gjenstander, er minst 2,5 ganger grenens lengde. Eventuelle personer, bygninger eller gjenstander innenfor denne avstanden risikerer å bli truffet av den fallende grenen.
- Før felling av trær må du planlegge en sikker vei bort fra det fallende treet eller grenene. Kontroller at det ikke er hindringer i veien som kan føre til at du ikke kommer deg unna. Husk at vått gress og nylig kuttet bark er glatt.
- Pass på at det er noen andre i nærheten (men på sikker avstand) i tilfelle uhell.
- Du må ikke bruke verktøyet når du står i et tre, på en stige eller på noen annen ustabil overflate.

- Pass på at du alltid har sikkert fotfeste og god balanse.
- Hold verktøyet fast med begge hender når motoren er i gang.
- En kjede i bevegelse må ikke komme i kontakt med noen gjenstander ytterst på sverdet.
- Begynn med kuttingen først når kjeden beveger seg med full hastighet.
- Ikke forsøk å skjære i et tidligere kutt. Lag alltid et nytt kutt.
- Se etter bevegelige grener eller andre krefter som kan avbryte en kutting, klemme kjeden eller falle ned på den.
- Forsøk ikke å kutte en gren med diameter som er større enn verktøyets sagelengde.
- Ta alltid batteriet ut av verktøyet, og sett kjededeckselenheten over kjeden når du oppbevarer eller transporterer verktøyet.
- Hold sagkjeden skarp og tilstrekkelig stram. Sjekk strammingen regelmessig.
- Slå av verktøyet, la kjeden stoppe, og ta ut batteriet av verktøyet før du utfører justering, behandling eller vedlikehold.
- Bruk bare originalreservedeler og -tilbehør.
- Bær beskyringsaksen i håndtaket med skjærebladet stanset. Ved transport eller oppbevaring av beskyringsaksen skal dekslet for skjærebladet alltid settes på og beskyringsaksen demonteres i sine komponenter. Ved riktig behandling av beskyringsaksen reduseres mulige personskader og skader på andre.

Andre former for risiko

Ved bruk av verktøyet kan det oppstå ytterligere risikoer som kanskje ikke er inkludert i sikkerhetsadvarslene som følger med. Disse risikoene kan bli forårsaket av feil bruk, langvarig bruk osv. Selv om de relevante sikkerhetsbestemmelsene blir fulgt, og sikkerhetstiltakene blir gjennomført, kan visse gjenværende risikoer ikke unngås. Disse omfatter:

- Personskader som forårsakes av berøring av en roterende/bevegelig del.
- Personskader som forårsakes av at en del, et blad eller tilbehør endres.
- Personskader som forårsakes av langvarig bruk av et verktøy. Når du bruker et verktøy i lange perioder, må du sørge for å ta regelmessige pauser.
- Svekket hørsel.
- Helsefarer som forårsakes av innånding av støv som dannes når du bruker verktøyet (eksempel: arbeid med tre, spesielt eik, bøk og MDF).

Vibrasjon

Vibrasjonsemisjonsverdien som er angitt under tekniske data og samsvarserklæring, er blitt målt i henhold til en standard testmetode som er angitt i EN 60745, og kan brukes til å sammenligne et verktøy med et annet. Den oppgitte vibrasjonsemisjonsverdien kan også brukes til en foreløpig vurdering av eksponering.

Advarsel! Vibrasjonsemisjonsverdien under faktisk bruk av elektroverktøyet kan avvike fra den oppgitte verdien avhengig av måten verktøyet blir brukt på. Vibrasjonsnivået kan øke over nivået som er oppgitt.

Når man vurderer vibrasjonseksponering for å bestemme sikkerhetstiltak som kreves i 2002/44/EF, for å beskytte personer som bruker elektroverktøy regelmessig i arbeidet, skal man når man anslår vibrasjonseksponeringen, ta hensyn til de faktiske bruksforholdene og måten verktøyet blir brukt på, inkludert hensyn til alle deler av brukssyklusen – også de gangene verktøyet slås av, og når det går på tomgang, i tillegg til tiden utløseren er inne.

Beskjæring

Før du forsøker å beskjære et tre, må du undersøke at det ikke er noen lokale lover eller bestemmelser som forbyr eller regulerer trefelling.

- Vær oppmerksom på hvilke retninger en gren kan falle i. Vurder alle forhold som kan ha innvirkning på fallretningen, inkludert:
 - Lengden og vekten av den grenen som skal sages av.
 - Den tiltenkte fallretningen.
 - Eventuelle uvanlig tunge grener eller råtne deler.
 - Trær i nærheten og andre hindringer,
 - inkludert ledninger i luften.
 - Sammenfiltring med andre grener.
 - Hastigheten og retningen til vinden.
- Vurder tilgangen til grenen.

Grener vil kunne falle inn mot trestammen. I tillegg til brukeren risikerer eventuelle personer, bygnings eller gjenstander under grenen å bli truffet av denne.

Andre personers sikkerhet

- Det er ikke meningen at dette verktøyet skal brukes av personer (inkludert barn) med reduserte fysiske, sansemessige eller mentale evner, eller som mangler erfaring og kunnskap, med mindre de er under tilsyn eller har fått instruksjon når det gjelder bruken av verktøyet, av en person som er ansvarlig for deres sikkerhet.
- Barn skal være under tilsyn så du er sikker på at de ikke leker med verktøyet.

Advarselssymboler

Du finner følgende advarselssymboler på verktøyet:



Advarsel! Brukeren må lese håndboken for å redusere risikoen for personskade.



Hold verktøyet unna regn eller fuktighet.



Bruk alltid hode- og øyenbeskyttelse.



Bruk alltid sklisikkert fottøy.



Vær oppmerksom på fallende gjenstander. Hold andre personer unna.



Fare for dødelig elektrisk støt. Må holdes minst 10 m unna elektriske ledninger i luften.



Du sikrer kontinuerlig sikker bruk ved å kontrollere kjedestrømmingen hvert tiende minutt og justere tilbake til klaring på 3 mm etter behov – som beskrevet i denne bruksanvisningen. Smør kjeden hvert tiende minutt under bruk.



Kjedens bevegelsesretning.



Advarsel! Ikke berør kjeden i sponutslippsområdet.

Ytterligere sikkerhetsinstruksjoner for batterier og ladere

Batterier

- Forsøk ikke å åpne uansett hvilket formål du måtte ha.

- Ikke utsett batteriet for vann.
- Ikke utsett batteriet for varme.
- Oppbevar ikke på steder der temperaturen kan overskride 40 °C.
- Lad bare ved temperaturer mellom 10 °C og 40 °C.
- Bruk bare den laderen som følger med apparatet/verktøyet. Hvis du bruker feil lader, kan dette føre til et elektrisk støt eller at batteriet overopphetes.
- Følg instruksene som finnes i avsnittet "Miljø" når du skal kaste batterier.
- Ikke skad eller deformor batteripakken ved punktering eller støt, da dette kan føre til risiko for personskade og brann. Ikke lad skadede batterier.
- Under ekstreme forhold kan batterilekkasje forekomme. Hvis du oppdager væske på batteriene, må du tørke den forsiktig av med en klut. Unngå kontakt med huden.
- Hvis væsken kommer i kontakt med huden eller øynene, følger du instruksjonene nedenfor.

Advarsel! Batterivæsken kan føre til personskade eller skade på eiendom. Ved hudkontakt skyller du umiddelbart med vann. Hvis huden blir rød eller irritert eller smerter inntreffer, søk øyeblikkelig medisinsk hjelp. Hvis væsken kommer i kontakt med øynene, skyller du umiddelbart med rent vann og søker øyeblikkelig medisinsk hjelp.

Ladere

Laderen er konstruert for en bestemt spenning. Kontroller alltid at nettspenningen er i overensstemmelse med spenningen på typeskiltet.

Advarsel! Prøv aldri å skifte ut laderen med et vanlig nettstøpsel.

- Black & Decker-laderen skal bare brukes til å lade batteriet i apparatet/verktøyet som laderen kom sammen med. Andre batterier kan sprekke og føre til personskade og materiell skade.
- Prøv aldri å lade ikke-oppladbare batterier.
- Hvis strømlødingen blir skadet, må den skiftes av produsenten eller et autorisert Black & Decker-servicesenter for å unngå fare.
- Ikke utsett laderen for vann.
- Ikke åpne laderen.
- Ikke stikk gjenstander eller fingre ned i laderen.
- Apparatet/verktøyet/batteriet må plasseres på et sted med god gjennomlufting når det lades.

Symboler på laderen

Du finner følgende symboler på laderen:



Laderen er bare beregnet for bruk innendørs.



Les denne håndboken før bruk.



Laderen slår seg av automatisk hvis temperaturen i omgivelsene blir for høy. Når temperaturen i omgivelsene er gått ned, fortsetter laderen å virke.



Lad bare ved temperaturer mellom 10°C og 40°C.

Elektrisk sikkerhet



Denne laderen er dobbeltisolert. Jording er derfor ikke nødvendig. Kontroller alltid at nettspenningen er i overensstemmelse med spenningen på typeskiltet. Prøv aldri å skifte ut laderen med et vanlig nettstøpsel.

Oversikt

1. Av/på-bryter
2. Låseknapp
3. Hovedhåndtak
4. Saghode
5. Tannhjulsdeksel
6. Sverd
7. Kjede
8. Sverdbeskyttelse
9. Smøringsflaske
10. Forlengelsesrør
11. Batteri

Figur A

12. Lader

Montering

Advarsel! Fjern batteriet fra verktøyet før montering.

Sette inn og ta ut batteriet (figur B)

- Når du skal sette inn batteriet (11), holder du det overfor kontakten på verktøyet. Skyv batteriet inn i kontakten, og skyv til det klikker på plass.
- Når du skal ta ut batteriet, trykker du på utløserknappen(13)og trekker samtidig batteriet ut av kontakten.

Advarsel! For å forebygge at sagan starter ved et uhell må du passe på at batteriet er tatt ut og sverdbeskyttelsen er satt på kjeden før du utfører de følgende aktivitetene. Hvis du ikke gjør dette, kan det føre til alvorlig personskade.

Montere saghodet (figur C)

Saghodet kan settes direkte på håndtaket for å gi standard rekkevidde.

- Plasser sporet på utsiden av koblingsenden av håndtaket (3) med tungen på innsiden av koblingsenden av saghodet (4). Skyv saghodet (4) inn på håndtaket (3).
- Skyv kragen (14) ned og dreii den med klokken til den er helt strammet.

Advarsel! Kontroller koblingene regelmessig for å sikre at de er strammet og sikre.

Utvide saghodet (figur D)

Maksimal rekkevidde kan når ved å sette utvidelsesrøret (10) mellom saghodet (4) og håndtaket (3).

- Plasser sporet på utsiden av koblingsenden av håndtaket (3) med tungen på innsiden av koblingsenden av utvidelsesrøret (10).
- Skyv utvidelsesrøret (10) inn på håndtaket (3).
- Skyv kragen (15) ned og dreii den med klokken til den er helt strammet.
- Plasser sporet på utsiden av koblingsenden av utvidelsesrøret (10) med tungen på innsiden av koblingsenden av saghodet (4).
- Skyv saghodet (4) inn på utvidelsesrøret (10).
- Skyv kragen (14) ned og dreii den med klokken til den er helt strammet.

Advarsel! Kontroller koblingene regelmessig for å sikre at de er strammet og sikre.

Fjerne saghodet (figur C og D)

Hvis utvidelsesrøret (10) er satt på, må saghodet fjernes først.

- Når du skal ta av saghodet (4), hviler du håndtaket (3) på bakken, løsner kragen (14) og tar av saghodet.

Bruk

Advarsel! La verktøyet arbeide med sin egen hastighet. Ikke overbelast det.

Ladning av batteriet (figur A)

Batteriet må lades før første bruk og hver gang det ikke lenger gir nok strøm til jobber som tidligere lett ble utført. Ved første ladning og etter lengre perioder med lagring vil det bare være mulig å lade batteriet med 80 % kapasitet.

Etter flere lade- og utladingssykluser vil batteriet få full kapasitet. Batteriet kan bli varmt under ladning. Dette er normalt og innebærer ikke feil.

Advarsel! Ikke lad batteriet hvis temperaturen i omgivelsene er under 10 °C eller over 40 °C. Anbefalt ladetemperatur: ca. 24 °C.

- Når du skal lade batteriet (11), tar du det ut av verktøyet og setter det inn i laderen (12). Batteriet kan bare settes i laderen på én måte. Ikke bruk makt. Pass på at batteriet sitter helt inne i laderen.
- Sett laderen i stikkkontakten.

Åttetimerslader

Batteriet vil være fulladet etter ca. 8 timer. Du kan fjerne det når som helst eller ha det i den tilkoblede laderen så lenge du vil.

Start og stopp (figur E)

Av hensyn til din sikkerhet er dette verktøyet utstyrt med et dobbelt brytersystem. Dette systemet hindrer at verktøyet startes ved et uhell.

Slå på

- Trykk på utløserknappen (2) bakover ved å bruke tommelen og trekk samtidig strømbryteren (1) mot deg.
- Slipp utløserknappen (2).

Slå av

- Slipp av/på-knappen (1).

Advarsel! Ikke prøv å låse en bryter i stillingen "på".

Beskjære (figur F)

- Kontroller at verktøyet har nådd full hastighet før du kutter.
- Hold verktøyet fast for å unngå mulig hopping eller sidelengs bevegelser av verktøyet.
- Før verktøyet gjennom grenen med et lett trykk. Når du kutter tunge grener der et delvis kutt kan føre til splintring og skade treet, går du frem slik:
 - Gjør det første kuttet 15 cm fra restammen på undersiden av grenen. Bruk toppen av sverdet (7) til å gjøre dette kuttet.
 - Kutt gjennom en tredjedel av diameteren til greinen. Kutt deretter fra toppen og nedover.

Rengjøring, vedlikehold og oppbevaring

Det nettdrevne/batteridrevne Black & Decker-apparatet/verktøyet er konstruert for å være i drift over lengre tid med et minimum av vedlikehold.

Det er avhengig av riktig stell og regelmessig rengjøring for å fungere som det skal til enhver tid.

Advarsel! Før du utfører vedlikehold på nettdrevet/batteridrevet elektroverktøy:

- Slå av apparatet/verktøyet, og trekk ut støpselet
- Eller slå av apparatet/verktøyet, og fjern batteriet fra dette hvis apparatet/verktøyet har separat batteripakke
- Eller la batteriet gå helt tomt hvis det er innebygd, og slå deretter av
- Fjern laderen fra stikkkontakten før du rengjør den. Laderen krever ikke annet vedlikehold enn regelmessig rengjøring.

Rengjør ventilasjonsåpningene i apparatet/verktøyet/laderen jevnlig med en myk børste eller tørr klut.

Rengjør motorhuset regelmessig med en fuktig klut. Ikke bruk slipende eller løsemiddelbaserte rengjøringsmidler.

Åpne chucken regelmessig, og bank på den for å fjerne eventuelt støv fra innsiden (hvis det er aktuelt).

Etter bruk og før oppbevaring

- Rengjør ventilasjonssporene regelmessig med en ren, tørr malerkost.
- Rengjør verktøyet bare med mild såpe og en fuktig klut. La det aldri komme væske inn i verktøyet og senk aldri noen deler av verktøyet ned i væske.
- Fjern rusk med en hard børste.
- Smør kjeden med olje.

Sette på og ta av sagkjeden (figur G og H)

Advarsel! Bruk alltid vernehansker når du setter på eller tar av sagkjeden. Sagkjeden er skarp og kan kutte deg selv om den ikke er i bevegelse.

- Sett verktøyet på en fast og stabil overflate.
- Løsne skruene (16) med unbrakonøkkel som følger med. Ta ut skruene.
- Ta av tannhjulsdekselet (5) og sverdklemmen (17).
- Drei skruen (18) mot klokken for å la sverdet (6) trekke seg tilbake og redusere strammingen i sagkjeden (7).
- Fjern den gamle sagkjeden fra tannhjulet (19) og sverdet (6).
- Plasser den nye sagkjeden i sporet på sverdet og rundt tannhjulet. Pass på at tennene vender i riktig retning ved å matche pilen på sagkjeden med pilen på huset.

- Pass på at sporet (20) i sverdet er over styrepinnene (21), og at hullet (22) under sporet er plassert over justeringspinnen (23).
- Sett på tannhjulsdekselet (5), sverdklemmen (17) og skruene (16) igjen.
- Stram skruene (16) med unbrakonøkkelen som følger med.
- Juster kjedestrammingen som beskrevet nedenfor.

Kjeden og sverdet må bare erstattes med originale Black & Decker-deler for å sikre varig trygg drift. Reserverkjeden har delenummer A6158 og reservesverdet 623381-00.

Kontrollere og justere kjedestrammingen (figur G)

- Kontroller kjedestrammingen. Strammingen er korrekt når kjeden (7) spretter tilbake på plass når den blir trukket 3 mm ut fra sverdet ved bruk av liten kraft med langfingeren og tommelen. Det skal ikke være noe "heng" mellom sverdet (6) og sagkjeden (6) på undersiden.

Slik justerer du strammingen:

- Løsne skruene (16).
- Drei skruen (18) med klokken.

Advarsel! Ikke stram kjeden for mye, da dette vil føre til for stor slitasje, noe som reduserer levetiden for sverdet og kjeden.

- Når kjedestrammingen er korrekt, skrur du til de to skruene (18).

Advarsel! Når kjeden er ny, må du kontrollere strammingen ofte de to første timene du bruker den, da en ny kjede strekker seg litt.

Smøre kjedet

Sagkjeden må smøres før hver gangs bruk og etter rengjøring. Bruk bare korrekt oljetype (katalognummer A6027).

- Smør hele sagkjeden (7) jevnt med applikatoren (9).

Oppbevaring

Når verktøyet ikke skal brukes på flere måneder, skal helst batteriet være koblet til laderen.

Ellers går du frem slik:

- Lad batteriet fullstendig.
- Fjern batteriet fra verktøyet.
- Oppbevar verktøyet og batteriet på et sikkert og tørt sted.
- Temperaturen under oppbevaring må alltid være i området +10 °C til +40 °C. Plasser batteriet på et flatt underlag.

- Før du bruker verktøyet etter lang tids oppbevaring, lader du batteriet fullstendig igjen.

Miljø



Separat avfallshåndtering. Dette produktet må ikke kastes sammen med vanlig husholdningsavfall.

Hvis du synes Black & Decker-produktet bør skiftes ut, eller du ikke har bruk for det lenger, må du ikke kaste det sammen med husholdningsavfall. Sørg for separat avfallshåndtering for dette produktet.



Hvis brukte produkter og emballasje leveres atskilt, kan materialer resirkuleres og brukes på nytt. Gjenbruk av resirkulerte materialer bidrar til redusert miljøforurensning og reduserer behovet for råmaterialer.

Det kan være lokale bestemmelser for separat avfallshåndtering for elektriske produkter fra husholdninger på kommunale avfallsplasser eller hos forhandleren, når du kjøper et nytt produkt.

Black & Decker har en ordning for innsamling og resirkulering av Black & Decker-produkter som ikke skal brukes lenger. Du kan benytte denne tjenesten ved å levere produktet til et hvilket som helst autorisert serviceverksted.

Du kan finne ut hvor nærmeste autoriserte serviceverksted er, ved å kontakte din lokale Black & Decker-avdeling på adressen som er oppgitt i denne håndboken. En oversikt over autoriserte Black & Decker-serviceverksteder og alle opplysninger om ettersalgsservice og kontakter er også tilgjengelig på Internett:

www.2helpU.com

Batterier



Tenk på miljøet når batteriene er tomme og du skal kaste dem.

- Ikke kortslutt batteriterminalene.
- Ikke kast batteriet på ild. Dette kan føre til personskade eller en eksplosjon.
- La batteriet gå helt tomt og fjern det så fra verktøyet.
- Batterier kan resirkuleres. Legg batteriet i egnet emballasje for å sikre at terminalene ikke kortslutter. Ta dem med til et autorisert serviceverksted eller til en lokal spesialavfallsstasjon.

Tekniske data

		GPC1800 (H2) GPC1800P (H2)	
Spenning	V _{DC}	18	
Kjedehastighet uten belastning	m/min	114	
Vekt	kg	3,5	
Maks. sagelengde	cm	17	

Batteri		A18	A1718
Spenning	V _{DC}	18	18
Kapasitet	Ah	1.5	1.7
Batteritype		NiCd	NiCd

Lader		9050084*	
Inngangsspenning	V _{AC}	230 - 240V	
Utgangsspenning	V _{DC}	21.75	
Amperetall	mA	210	
Omtrentlig ladetid	h	8	

Lydeffektnivå i henhold til EN ISO 3744: LWA = 98 dB(A), usikkerhet (K) = 3 dB(A)

Lydtrykknivå i henhold til EN ISO 11203: LPA = 78 dB(A), usikkerhet (K) = 3 dB(A)

Totale vibrasjonsverdier (vektorsum fra tre retninger) bestemt i samsvar med EN 60745			
Skjæring av tre	Vibrasjonsemisjonsverdi (ah=)	<2,5	m/s ²
	Usikkerhet K=	<1,5	m/s ²

EF-samsvarserklæring

MASKINDIREKTIV



GPC1800, GPC1800P

Black & Decker erklærer at disse produktene som er beskrevet under "Tekniske data", er i samsvar med:

98/37/EF (til 28. desember 2009), 2006/42/EF (fra 29. desember 2009), EN60745-1,

Disse produktene er også i samsvar med direktivet 2004/108/EF. Hvis du ønsker mer informasjon, kontakt Black & Decker på følgende adresse, eller se på baksiden av bruksanvisningen.

Undertegnede er ansvarlig for utarbeidelsen av den tekniske dokumentasjonen og gir denne erklæringen på vegne av Black & Decker.

Kevin Hewitt

Vice-President Global Engineering

Black & Decker Europe, 210 Bath Road, Slough

Berkshire, SL1 3YD

Storbritannia

12/04/2012

Garanti

Black & Decker er trygg på kvaliteten på sine produkter og tilbyr en enestående garanti. Denne garantierklæringen kommer i tillegg til dine lovbestemte rettigheter og er ikke i konflikt med disse.

Garantien er gyldig i EU- og EFTA-medlemsstatene.

Hvis et Black & Decker-produkt går i stykker på grunn av material- og/eller fabrikkasjonsfeil eller har mangler i forhold til spesifikasjonene innen 24 måneder fra kjøpet, påtar Black & Decker seg å skifte ut defekte deler, reparere produkter som har vært utsatt for alminnelig slitasje, eller bytte ut slike produkter med minst mulig vanskelighet for kunden, med mindre:

- Produktet har vært brukt i yrkes-/næringsvirksomhet eller til utleie.
- Produktet har vært utsatt for feilaktig bruk eller dårlig vedlikehold.
- Produktet har blitt skadet av fremmede gjenstander eller stoffer eller ved et uhell.
- Andre enn autoriserte serviceverksteder eller Black & Deckers serviceteknikere har forsøkt å reparere produktet.

For å ta garantien i bruk må du vise kjøpskvittering til forhandleren eller til et autorisert serviceverksted. Du kan finne ut hvor nærmeste autoriserte serviceverksted er, ved å kontakte din lokale Black & Decker-avdeling på adressen som er oppgitt i denne håndboken. En oversikt over autoriserte Black & Decker-serviceverksteder og alle opplysninger om ettersalgsservice og kontakter er også tilgjengelig på Internett:

www.2helpU.com

Besøk vårt webområde www.blackanddecker.no for å registrere ditt nye Black & Decker-produkt og for å holde deg oppdatert om nye produkter og spesialtilbud. Du finner mer informasjon om Black & Decker og produktutvalget vårt på

www.blackanddecker.no

Anvendelsesområde

Din Black & Decker-beskæringsssav uden ledning er designet til beskæring af træer. Værktøjet er kun beregnet til privat brug.

Din Black & Decker-lader er udviklet til opladning af Black & Decker-batterier af den type, der følger med dette værktøj.

Sikkerhedsanvisninger

Generelle sikkerhedsadvarsler vedrørende elværktøj



Advarsel! Læs alle sikkerhedsadvarsler og instruktioner. Hvis nedenstående instruktioner og advarsler ikke følges, er der risiko for elektrisk stød, brand og/eller alvorlige personskader.

Gem alle advarsler og anvisninger til senere brug.

Begrebet "elværktøj", der benyttes i nedenstående advarsler, henviser til netdrevne (med netledning) eller batteridrevne maskiner (uden netledning).

Sikkerhed i arbejdsområdet

- **Hold arbejdsområdet rent og godt oplyst.** Rodede og uoplyste områder øger risikoen for uheld.
- **Brug ikke elværktøj i eksplosive omgivelser, f.eks. hvor der er brændbare væsker, gasser eller støv.** Elværktøj kan forårsage gnister, der kan antænde støv eller dampe.
- **Hold børn og andre personer på afstand, når elværktøjet er i brug.** Du kan miste kontrollen over værktøjet, hvis du distraheres.

Elektricitet og sikkerhed

- **Elværktøjsstik skal passe til stikkontakten. Stikket må under ingen omstændigheder ændres. Brug ikke adapterstik sammen med jordforbundet elværktøj.** Uændrede stik, der passer til stikkontakterne, nedsætter risikoen for elektrisk stød.
- **Undgå kropskontakt med jordforbundne overflader som f.eks. rør, radiatorer, komfurer og køleskabe.** Hvis din krop er jordforbundet, øges risikoen for elektrisk stød.
- **Elværktøj må ikke udsættes for regn eller fugt.** Indtrængen af vand i elværktøj øger risikoen for elektrisk stød.

- **Ødelæg ikke ledningen. Bær, træk eller afbryd ikke elværktøjet vha. ledningen.** Beskyt ledningen mod varme, olie, skarpe kanter eller maskindele, der er i bevægelse. Beskadigede eller sammenfiltrede ledninger øger risikoen for elektrisk stød.
- **Hvis elværktøj benyttes i det fri, skal der benyttes en forlængerledning, som er godkendt til udendørs brug.** Brug af en forlængerledning til udendørs brug nedsætter risikoen for elektrisk stød.
- **Brug en strømkilde med fejlstrømsbeskyttelse, hvis det er uundgåeligt at anvende elværktøj på fugtige steder.** Med en fejlstrømsbeskyttelse reduceres risikoen for elektrisk stød.

Personlig sikkerhed

- **Vær opmærksom, hold øje med, hvad du laver, og brug elværktøjet fornuftigt. Brug ikke et elværktøj, hvis du er træt eller påvirket af stoffer, medicin eller alkohol.** Få sekundens uopmærksomhed ved brug af elværktøjet kan føre til alvorlige personskader.
- **Brug personlige værnemidler. Brug altid beskyttelsesbriller.** Brug af værnemidler som f.eks. støvmaske, skridsikkert fodtøj, beskyttelseshjelm eller høreværn nedsætter risikoen for personskader, hvis udstyret anvendes korrekt.
- **Sørg for, at værktøjet ikke kan starte utilsigtet. Kontroller, at afbryderkontakten står på slukket, inden værktøjet tilsluttes strømkilden og/eller batteriet, samles op eller bæres.** Bæres elværktøj, mens fingeren er på kontakten, eller tilsluttes det, mens kontakten står på tændt, kan der nemt ske en ulykke.
- **Fjern indstillingsværktøj eller skruenøgle, inden elværktøjet tændes.** Et værktøj eller en nøgle, der efterlades i en roterende del i elværktøjet, kan resultere i personskader.
- **Stræk dig ikke for langt. Sørg for, at du altid har sikkert fodfæste og balance.** Det gør det nemmere at kontrollere elværktøjet, hvis der skulle opstå uventede situationer.
- **Brug egnet arbejdstøj. Undgå løse beklædningsgenstande eller smykker. Hold hår, tøj og handsker væk fra dele, der bevæger sig.** Bevægelige dele kan gribe fat i løstsiddende tøj, smykker eller langt hår.

- **Hvis støvudsugnings- og opsamlingsudstyr kan monteres, er det vigtigt, at dette tilsluttes og benyttes korrekt.** Brug af udstyr til opsamling af støv kan nedsætte risikoen for støvrelateret personskade.

Brug og vedligeholdelse af elværktøj

- **Undgå at overbelaste elværktøjet.** Brug altid det rette elværktøj til opgaven. Med det rigtige elværktøj udføres arbejdet lettere og sikrere og i det tempo, som værktøjet er beregnet til.
- **Brug ikke elværktøjet, hvis afbryderen er defekt.** Elværktøj, der ikke kan reguleres med afbryderen, er farligt og skal repareres.
- **Træk stikket ud af stikkontakten og/eller batteriet inden indstilling, tilbehørsudskiftning eller opbevaring af elværktøjet.** Disse sikkerhedsforanstaltninger reducerer risikoen for utilsigtet start af værktøjet.
- **Opbevar ubenyttet elværktøj uden for børns rækkevidde.** Lad aldrig personer, der ikke er fortrolige med elværktøj, eller som ikke har gennemlæst disse instrukser, benytte maskinen. Elværktøj er farligt, hvis det benyttes af ukyndige personer.
- **Elværktøj bør vedligeholdes omhyggeligt. Kontroller, om bevægelige dele er skæve og ikke sidder fast, og om delene er brækket eller beskadiget, så elværktøjets funktion påvirkes.** Få beskadigede dele repareret, inden elværktøjet tages i brug. Mange uheld skyldes dårligt vedligeholdt elværktøj.
- **Sørg for, at skæreværktøjer er skarpe og rene.** Ordentligt vedligeholdt skæreværktøj med skarpe skærekanter sætter sig ikke så hurtigt fast og er nemmere at styre.
- **Brug elværktøjet, tilbehøret, indsatsværktøj osv. i overensstemmelse med disse instruktioner under hensyntagen til arbejdsforholdene og arbejdet, der skal udføres med værktøjet.** I tilfælde af anvendelse af elværktøjet til formål, som ligger uden for det fastsatte anvendelsesområde, kan der opstå farlige situationer.

Brug og vedligeholdelse af batteridrevet værktøj

- **Genoplad kun med den lader, som producenten har angivet.** En lader, der er velegnet til én type batteripakke, kan udgøre en brandfare, hvis den bruges til en anden batteripakke.

- **Brug kun elværktøj sammen med batteripakker, der er specifikt beregnet hertil.** Brugen af andre batteripakker kan medføre personskade og brand.
- **Når batteripakken ikke er i brug, skal den holdes på afstand af andre metalgenstande, f.eks. papirclips, mønter, nøgler, søm, skruer og andre små metalgenstande, som kan skabe forbindelse mellem de to poler.** Kortslutning af batteriet kan forårsage forbrændinger eller brand.
- **I visse situationer kan batteriet lække. Undgå kontakt. Skyl med vand i tilfælde af kontakt. Søg læge, hvis væsken kommer i kontakt med øjnene.** Væske, der lækker fra batteriet, kan forårsage irritation eller forbrændinger.

Service

- **Få altid elværktøjet repareret af kvalificerede fagfolk med udelukkende identiske reservedele.** Dermed opretholdes elværktøjets sikkerhed.

Yderligere sikkerhedsvejledning for beskyringslave

- Apparatets påtænkte anvendelse fremgår af vejledningen. Brug ikke værktøjet til andre formål end de tiltænkte; brug f.eks. ikke værktøjet til træfældning. Brugen af ekstraudstyr eller tilbehør eller udførelse af opgaver med værktøjet ud over de i brugervejledningen anbefalede kan medføre risiko for personskade.
- Brug tætsiddende og beskyttende tøj samt en sikkerhedsjelm med visir/sikkerhedsbriller, høreværn, skridsikert fodtøj, beskyttende smækbukser og kraftige læderhandsker.
 - Stå altid på en sådan måde, at du er i sikkerhed for faldende grene.
 - Sikkerhedsafstanden mellem en gren, der skal skæres ned, og omkringstående personer, bygninger og andre genstande skal være mindst 2 1/2 gange grenens længde. Omkringstående personer, bygninger eller genstande inden for denne afstand risikerer at blive ramt af den nedfaldende gren.
 - Planlæg en sikker flugtvej fra faldende træer eller grene. Kontroller, at undvigeruten er fri for hindringer, der kan forhindre eller hæmme bevægelsesfriheden. Husk, at vådt græs og nyskåret bark er glat.
 - Sørg for, at der står en anden person i nærheden (men i sikker afstand), hvis der skulle ske et uheld.

- Brug ikke værktøjet, mens du står i et træ, på en stige eller på en anden ustabil flade.
- Sørg for, at du altid har sikkert fodfæste og balance.
- Hold godt fast i værktøjet med begge hænder, når motoren kører.
- Lad ikke den kørende kæde komme i kontakt med genstande ved spidsen af sværdet.
- Påbegynd først savningen, når kæden bevæger sig med fuld hastighed.
- Forsøg ikke at sætte saven i et tidligere snit. Lav et nyt snit hver gang.
- Pas på grene, der flytter sig, eller andre kræfter, der kan lukke savsporet og klemme eller falde ind i kæden.
- Forsøg ikke at save en gren over, hvis diameter er større end værktøjets skærelængde.
- Fjern altid batteriet fra værktøjet, og monter kædebeskyttelsen over kæden, når værktøjet opbevares eller transporteres.
- Hold savkæden skarp og korrekt strammet. Kontroller stramningen regelmæssigt.
- Sluk værktøjet, lad kæden stoppe, og tag batteriet ud af værktøjet, før du foretager justeringer, service eller vedligeholdelse.
- Brug kun originale reservedele og tilbehør.
- Bær beskyrings-saven i håndtaget med stoppet skæreblad. Monter altid skærebladets afdækning og adskil den ved transport eller opbevaring af beskyrings-saven. Korrekt håndtering af beskyrings-saven reducerer risikoen for personskade.

Restrisici

Der kan opstå yderligere restrisici under brugen af værktøjet, som ikke kan medtages i vedlagte sikkerhedsadvarsler. Disse risici kan opstå pga. forkert anvendelse, langvarig brug etc. Selv ved overholdelse af relevante sikkerhedsforskrifter og anvendelse af sikkerhedsudstyr kan visse restrisici ikke undgås. Disse omfatter:

- Tilskadekomst forårsaget af berøring af roterende/bevægelige dele.
- Tilskadekomst forårsaget af udskiftning af dele, blade eller tilbehør.
- Tilskadekomst forårsaget af langvarig brug af et værktøj. Husk at holde pause jævnligt ved brug af et værktøj i længere tid.
- Høreskader.
- Sundhedsrisici forårsaget af indånding af støv, der genereres ved brug af værktøjet (eksempel: Arbejde med træ, især, eg, bøg og MDF).

Vibration

De angivne værdier for udsendelse af vibration anført under de tekniske data og overensstemmelse-serklæringen er målt i henhold til standardtestmetoden i EN 60745 og kan bruges til at sammenligne ét værktøj med et andet. Den angivne værdi for udsendelse af vibration kan også bruges som en foreløbig vurdering af eksponeringen.

Advarsel! Værdien for udsendelse af vibration ved faktisk brug af elværktøjet kan afvige fra den angivne værdi afhængig af måden, værktøjet anvendes på. Vibrationsniveauet kan overstige det angivne niveau.

I vurderingen af eksponeringen for vibration med henblik på fastsættelse af sikkerhedsforanstaltninger som krævet i 2002/44/EC til beskyttelse af personer, der jævnligt anvender elværktøj i deres arbejde, skal der tages hensyn til de faktiske betingelser under brugen, og måden værktøjet bruges på, herunder alle arbejds cyklussens elementer, f.eks. perioder, hvor værktøjet er slukket og kører i tomgang tillige med startperioderne.

Beskæring

Før et træ beskæres, skal det kontrolleres, at der ikke er vedtægter eller bestemmelser, som forbyder eller begrænser fældning af træer.

- Vær opmærksom på den retning, grene kan falde i. Tag alle forhold, som kan påvirke faldretningen, i betragtning, herunder:
 - Længde og vægt af den gren, der skal skæres af
 - Den tilsigtede faldretning
 - En usædvanlig tung stammestruktur eller forrådnelse
 - Omkringstående træer og hindringer
 - inkl. el-ledninger
 - Sammenfletning med andre grene
 - Vindens hastighed og retning
- Overvej adgangen til grenen.

Grene svinger ofte mod træstammen. Ud over brugen kan omkringstående personer, bygninger eller genstande under grenen risikere at blive ramt af den nedfaldende gren.

Andres sikkerhed

- Dette apparat må ikke bruges af personer (herunder børn) med nedsatte fysiske, sensoriske eller mentale evner eller manglende erfaring og viden, med mindre det sker under overvågning, eller de vejledes i brugen af apparatet af en person, der er ansvarlig for deres sikkerhed.

- Børn skal holdes under opsyn, så det sikres, at de ikke leger med værktøjet.

Advarselssymboler

Værktøjet er forsynet med følgende advarselssymboler:



Advarsel! Brugeren skal læse brugervejledningen for at reducere risikoen for tilskadekomst.



Brug ikke værktøjet i våde omgivelser, og udsæt det ikke for regn.



Bær altid hovedværn og beskyttelsesbriller.



Bær skridsikkert fodtøj.



Vær opmærksom på faldende genstande. Hold omkringstående på afstand.



Risiko for dødsfald pga. elektrisk stød. Hold mindst 10 m afstand fra el-ledninger.



Kontroller kædestramningen som beskrevet i denne vejledning for hver 10 minutters brug, for at sikre at sagen er sikker i brug, og juster til en afstand på 3 mm som påkrævet. Smør kæden for hver 10 minutters brug.



Kædens omløbsretning.



Advarsel! Rør ikke kæden ved spånudgangen.

Yderligere sikkerhedsvejledninger for batterier og ladere

Batterier

- Forsøg aldrig at åbne uanset årsag.
- Batteriet må ikke udsættes for fugt.
- Batteriet må ikke udsættes for varme.
- Opbevar ikke på steder, hvor temperaturen kan overstige 40°C.
- Oplad kun ved omgivelsestemperaturer på mellem 10°C og 40°C.
- Brug kun den oplader, der fulgte med apparatet/værktøjet, til opladning. Brug af den forkerte oplader kan medføre elektrisk stød eller overophedning af batteriet.

- Følg ved bortskaffelse af batterier vejledningen i afsnittet "Miljø".
- Undgå at beskadige/deformere batteripakken ved at punktere den eller slå på den, da dette kan forårsage risiko for tilskadekomst eller brand. Oplad ikke beskadigede batterier.
- Under ekstreme forhold kan der forekomme batterilækage. Hvis du bemærker væske på batterierne, skal du omhyggeligt tørre den af med en klud. Undgå kontakt med huden.
- I tilfælde af kontakt med hud eller øjne, skal du følge nedenstående anvisninger.

Advarsel! Batterivæsken kan forårsage personskade eller materielle skader. I tilfælde af kontakt med huden skylles straks med vand. Søg læge, hvis der opstår rødme, smerte eller irritation. Skyl straks med rent vand, og søg læge i tilfælde af kontakt med øjnene.

Ladere

Laderen er udviklet til en specifik spænding. Kontrollér altid, at netspændingen svarer til spændingen på typeskiltet.

Advarsel! Forsøg aldrig at erstatte laderenheden med et almindeligt netstik.

- Brug kun din Black & Decker-lader til at oplade batteriet i det apparat/værktøj, som den blev leveret sammen med. Andre batterier kan eksplodere og forårsage personskade og materiel skade.
- Forsøg aldrig at oplade ikke-genopladelige batterier.
- Hvis netledningen beskadiges, skal den udskiftes af producenten eller et autoriseret Black & Decker-værksted, så farlige situationer undgås.
- Laderen må ikke udsættes for fugt.
- Laderen må ikke åbnes.
- Undersøg ikke laderen.
- Apparatet/værktøjet/batteriet skal anbringes et sted med god udluftning, når det oplades.

Etiketter på laderen

Laderen er forsynet med følgende advarselssymboler:



Laderen er kun beregnet til indendørs brug



Læs brugervejledningen, før værktøjet tages i brug.



Laderen slår automatisk fra, hvis omgivelsestemperaturen bliver for høj. Laderen slås til igen, så snart omgivelsestemperaturen er faldet.



Oplad kun ved omgivelsestemperaturer på mellem 10°C og 40°C.

Elektricitet og sikkerhed



Laderen er dobbelt isoleret. Derfor er en jordledning ikke nødvendig. Kontroller altid, at netspændingen svarer til spændingen på typeskiltet. Forsøg aldrig at erstatte laderenheden med et almindeligt netstik.

Oversigt

1. Afbryderkontakt
2. Låseknap
3. Hovedhåndtag
4. Savhoved
5. Afdækning af kædehjulstand
6. Sværd
7. Kæde
8. Kædedæksel
9. Smøremiddelflaske
10. Forlængerrør
11. Batteri

Fig. A

12. Lader

Samling

Advarsel! Tag batteriet ud af værktøjet inden det samles.

Montering og afmontering af batteriet (fig. B)

- Anbring batteriet (11) ud for værktøjets fatning, når batteriet skal monteres. Lad batteriet glide ind i fatningen, og skub, indtil batteriet går på plads.
- Tryk på udløserknappen (13), og træk samtidigt batteriet ud af fatningen for at tage batteriet ud.

Advarsel! For at forhindre utilsigtet drift skal du sikre dig, at batteriet er taget ud, og at kædedækslet sidder på savkæden, før du udfører følgende handlinger. I modsat fald kan der opstå alvorlige personskader.

Montering af savhovedet (fig. C)

Savhovedet kan monteres direkte på håndtaget for at opnå standardrækkevidde.

- Sæt rillen på ydersiden af håndtagets koblingsende (3) ud for tungen på indersiden af savhovedets koblingsende (4). Skub savhovedet (4) på håndtaget (3).
- Skub kraven (14) ned, og drej den med uret, til den er helt spændt.

Advarsel! Kontroller jævnligt, at forbindelserne er helt spændt.

Forlængelse af savhovedet (fig. D)

Maksimal rækkevidde kan opnås ved at montere forlængerrøret (10) mellem savhovedet (4) og håndtaget (3).

- Sæt rillen på ydersiden af håndtagets koblingsende (3) ud for tungen på indersiden af forlængerrørets koblingsende (10).
- Skub forlængerrøret (10) på håndtaget (3).
- Skub kraven (15) ned, og drej den med uret, til den er helt spændt.
- Sæt rillen på ydersiden af forlængerrørets koblingsende (10) ud for tungen på indersiden af savhovedets koblingsende (4).
- Skub savhovedet (4) på forlængerrøret (10).
- Skub kraven (14) ned, og drej den med uret, til den er helt spændt.

Advarsel! Kontroller jævnligt, at forbindelserne er helt spændt.

Afmontering af savhovedet (fig. C og D)

Hvis forlængerrøret (10) er monteret, skal savhovedet afmonteres først.

- For at afmontere savhovedet (4) skal håndtaget (3) lægges på jorden, hvorefter kraven (14) løsnes, og savhovedet tages af.

Anvendelse

Advarsel! Lad værktøjet arbejde i dets eget tempo. Det må ikke overbelastes.

Opladning af batteriet (fig. A)

Batteriet skal oplades inden ibrugtagningen, og når det ikke leverer strøm nok til opgaver, der tidligere kunne udføres ubesværet. Batteriet oplades kun 80% første gang og efter længere tids opbevaring. Batteriet opnår fuld kapacitet efter flere op- og afladninger. Batteriet kan blive varmt under opladningen. Det er normalt og ikke tegn på problemer.

Advarsel! Batteriet må ikke oplades i omgivelsestemperaturer under 10 °C eller over 40 °C. Anbefalet ladetemperatur: Ca. 24°C.

- Tag batteriet (11) ud, og sæt det i opladeren (12), når det skal oplades. Batteriet passer kun i opladeren på én måde. Tving det ikke i. Kontroller, at batteriet er sat helt i opladeren.
- Tilslut opladeren.

8-timers oplader

Batteriet er fuldt opladet på ca. 8 timer. Det kan fjernes når som helst eller blive siddende i opladerfatningen, så længe det ønskes.

Start og stop (fig. E)

Af sikkerhedsmæssige hensyn er værktøjet udstyret med et dobbelt afbrydersystem. Dette system forhindrer utilsigtet start af værktøjet.

Start

- Skub låseknappen (2) tilbage med tommefingeren, og klem samtidig på afbryderen (1).
- Slip låseknappen (2).

Stop

- Slip afbryderen (1).

Advarsel! Forsøg aldrig at fastlåse en kontakt i tændt position.

Beskæring (fig. F)

- Lad værktøjet køre ved fuld hastighed, før der saves.
- Hold godt fast i værktøjet for at undgå pludselig hoppen eller sideværts bevægelse af værktøjet.
- Før værktøjet gennem grenen med et let tryk. Fortsæt som følger ved savning i tunge grene, hvor et delvist snit kan splintre og beskadige træet:
 - Læg det første snit 15 cm fra træstammen på undersiden af grenen. Brug spidsen af sværdet (7) til at foretage dette snit.
 - Sav en tredjedel gennem grenens diameter. Sav derefter ned oppefra.

Rengøring, vedligeholdelse og opbevaring

Dit Black & Decker-apparat/værktøj med eller uden ledning er beregnet til brug gennem lang tid med et minimum af vedligeholdelse.

Fortsat tilfredsstillende drift afhænger af korrekt behandling af værktøjet samt regelmæssig rengøring.

Advarsel! Før udførelse af nogen form for vedligeholdelse på elværktøj med/uden ledning:

- Sluk, og tag apparatets/værktøjets stik ud af stikkontakten

- Eller sluk og fjern batteriet fra apparatet/værktøjet, hvis det har en separat batteripakke
- Eller aflad batteriet helt, hvis det er indbygget, og sluk derefter
- Træk laderen ud af stikkontakten, før den rengøres. Laderen kræver ingen vedligeholdelse, men skal rengøres jævnligt.

Rengør jævnligt apparatets/værktøjets/laderens ventilationshuller med en blød børste eller en tør klud.

Rengør med jævne mellemrum motorhuset med en fugtig klud. Der må ikke bruges skuremidler eller opløsningsmidler.

Åbn jævnligt patronen, og bank på den for at fjerne indvendigt støv (hvis monteret).

Efter brug og før opbevaring

- Rengør regelmæssigt ventilationsåbningerne med en ren, tør pensel.
- Brug kun en mild sæbe og en fugtig klud til rengøring af værktøjet. Lad aldrig væske trænge ind i værktøjet, og nedsenk aldrig nogen del af værktøjet i væske.
- Fjern snavs med en hård børste.
- Smør kæden med olie.

Montering og afmontering af savkæden (fig. G og H)

Advarsel! Anvend altid beskyttelseshandsker ved montering og afmontering af savkæden. Savkæden er skarp, og man kan skære sig på den, selv om den ikke kører.

- Anbring værktøjet på en fast og stabil overflade.
- Løsn skruerne (16) med den medfølgende unbrakonøgle. Fjern skruerne.
- Fjern afdækningen af kædehjulstand(5) og sværdbeslaget (17).
- Drej skruen (18) mod uret, så sværdet (6) trækkes tilbage, og savkædens (7) stramning reduceres.
- Fjern den gamle savkæde fra kædehjulstanden (19) og sværdet (6).
- Læg den nye savkæde i sværdets rille og omkring kædehjulstanden. Vend tænderne i den korrekte retning ved at sættes pilen på savkæden ud for pilen på huset.
- Kontroller, at rillen (20) i sværdet sidder over monteringsstifterne (21), og at hullet (22) under rullen sidder over justeringsstiften (23).
- Monter afdækningen af kædehjulstand(5), sværdbeslaget (17) og skruerne (16) igen.
- Spænd skruerne (16) med den medfølgende unbrakonøgle.

- Juster kædens stramning som beskrevet herunder.

For at sikre konstant sikker drift må kæde og sværd kun udskiftes med originale dele fra Black & Decker. Kædens reservedelsnummer er A6158, sværdets reservedelsnummer er 623381-00.

Kontrol og justering af kædens stramning (fig. G)

- Kontroller savkædens stramning. Stramningen er korrekt, når savkæden (7) springer tilbage efter af være trukket 3 mm fri af sværdet med let kraft af langfingeren og tommelfingeren. Der må ikke være nogen "nedbøjning" mellem sværdet (6) og kæden (7) på undersiden.

Sådan justeres stramningen:

- Løsn skruerne (16).
- Drej skruen (18) med uret.

Advarsel! Stram ikke kæden for kraftigt, da dette vil medføre kraftig slitage og afkorte sværdets og kædens levetid.

- Spænd skruerne (18), når kædens stramning er korrekt.

Advarsel! Når savkæden er ny, skal stramningen kontrolleres ofte under de første to timers brug, da nye savkæder strækker sig en smule.

Smøring af kæden

Savkæden skal altid smøres før brug og efter rengøring med olie af korrekt kvalitet (kat. nr. A6027).

- Smør hele savkæden (7) jævnt vha. applikatoren (9).

Opbevaring

Hvis værktøjet ikke skal bruges i flere måneder, er det bedst at lade batteriet sidde i laderen.

Eller gør som følger:

- Oplad batteriet helt.
- Fjern batteriet fra værktøjet.
- Opbevar værktøjet og batteriet på et sikkert og tørt sted.
- Opbevaringstemperaturen skal ligge mellem +10°C og +40°C. Anbring batteriet på en plan overflade.
- Oplad batteriet helt, inden værktøjet tages i brug igen efter længere tids opbevaring.

Miljø



Separat bortskaffelse. Dette produkt må ikke bortskaffes sammen med almindeligt husholdningsaffald.

Når dit Black & Decker-produkt en dag er udtjent, eller du ikke længere har brug for det, må du ikke smide det ud sammen med det almindelige affald. Produktet skal bortskaffes separat.



Ved separat bortskaffelse af brugte produkter og emballage bliver der mulighed for at genanvende forskellige materialer. Genanvendelse af materialer medvirker til at forebygge miljøforurening og mindsker behovet for råstoffer.

Lokal lovgivning kan kræve separat indsamling af elektriske husholdningsapparater på kommunale affaldsdepoter eller af den detailhandlende ved køb af et nyt produkt.

Black & Decker sørger for at indsamle og genanvende Black & Decker-produkter, når disse ikke længere kan bruges. Hvis du vil benytte dig af denne service, skal du returnere produktet til et autoriseret værksted, der indsamler produkterne for os.

Kontakt det lokale Black & Decker-kontor på den adresse, der er angivet i denne vejledning, for at få oplysninger om nærmeste autoriserede værksted. En liste over alle autoriserede Black & Decker-serviceværksteder samt servicevilkår og kontaktpersoner er tilgængelig på internettet på adressen:

www.2helpU.com

Batterier



Når batterier er udtjente, skal de bortskaffes under passende hensyntagen til miljøet

- Batteripolerne må ikke kortsluttes.
- Batteriet/batterierne må ikke kastes på ild, da dette kan medføre personskaade eller eksplosion.
- Afład batteriet helt, og tag det derefter ud af værktøjet.
- Batterier kan genbruges. Anbring batteriet/batterierne i en egnet emballage, så polerne ikke kortsluttes. Aflever dem på et autoriseret værksted eller en lokal genbrugsstation.

Tekniske data

		GPC1800 (H2) GPC1800P (H2)	
Spænding	V _{DC}	18	
Kædehastighed uden belastning	m/min.	114	
Vægt	kg	3.5	
Maks. skærelængde	cm	17	

Batteri		A18	A1718
Spænding	V _{DC}	18	18
Kapacitet	Ah	1.5	1.7
Batteritype		NiCd	NiCd

Lader		9050084*	
Indgangsspænding	V _{AC}	230 - 240V	
Udgangsspænding	V _{DC}	21.75	
Amperetal	mA	210	
Ladetid ca.	h	8	

Lydeffektniveau i henhold til EN ISO 3744: LWA = 98 dB(A), usikkerhed (K) = 3 dB(A)

Lydtrykniveau i henhold til EN ISO 11203: LPA = 78 dB(A), usikkerhed (K) = 3 dB(A)

Samlede værdier for vibration (triaksial vektor-sum) fastsat iht. EN 60745			
Savning i træ	Vibrationsemissionsværdi ah=	<2,5	m/s ²
	Usikkerhed K=	<1,5	m/s ²

EF-overensstemmelseserklæring

MASKINDIREKTIV



GPC1800, GPC1800P

Black & Decker erklærer, at produkterne beskrevet under "Tekniske data" er i overensstemmelse med: 98/37/EF (frem til 28. dec. 2009), 2006/42/EF (fra 29. dec. 2009), EN 60745-1,

Disse produkter er endvidere i overensstemmelse med direktiv 2004/108/EF. Kontakt Black & Decker på nedenstående adresse, eller se vejledningens bagside for at få flere oplysninger.

Undertegnede er ansvarlig for udarbejdelsen af de tekniske data og fremsætter denne erklæring på vegne af Black & Decker.

Kevin Hewitt
Vice-President Global Engineering
Black & Decker Europe, 210 Bath Road, Slough,
Berkshire, SL1 3YD
Storbritannien
12/04/2012

Garanti

Black & Decker garanterer, at produktet er fri for skader og fejl og tilbyder en fremragende garanti.

Garantien er et tillæg til forbrugerens lovsikrede rettigheder og påvirker ikke disse.

Garantien gælder inden for medlemsstaterne af den Europæiske Union og i det Europæiske Frihandelsområde.

Hvis et Black & Decker-produkt går i stykker på grund af materiel skade og/eller fabriktionsfejl eller på anden måde ikke fungerer i overensstemmelse med specifikationen inden for 24 måneder fra købsdatoen, påtager Black & Decker sig at reparere eller ombytte produktet med mindst mulig ulempe for kunden. Garantien gælder ikke for fejl og mangler, der er sket i forbindelse med:

- Produktet har været anvendt erhvervs-mæssigt eller til udlejning.
- Produktet har været anvendt forkert eller er ikke vedligeholdt.
- Produktet er beskadiget af fremmedlegemer, substanser eller pga. uheld.
- Garantien gælder ikke, hvis reparationer er udført af andre end et autoriseret Black & Decker-værksted.

For at udnytte garantien skal produktet og købskvitteringen indleveres til forhandleren eller til et autoriseret værksted. Kontakt det lokale Black & Decker-kontor på den adresse, der er angivet i denne vejledning, for at få oplysninger om nærmeste autoriserede værksted. En liste over alle autoriserede Black & Decker-serviceværksteder samt servicevilkår og kontaktpersoner er tilgængelig på internettet på adressen:

www.2helpU.com

Gå venligst ind på vores website www.blackanddecker.dk for at registrere dit nye produkt og for at blive holdt ajour om nye produkter og specialtilbud. Der findes yderligere oplysninger om mærket Black & Decker og vores produktsortiment på:

www.blackanddecker.da

Käyttötarkoitus

Black & Deckerin verkkojohdoton varsileikkuri on suunniteltu puiden karsimiseen. Tämä työkalu on tarkoitettu vain yksityiskäyttöön.

Black & Decker laturi on tarkoitettu tämän laitteen mukana toimitettujen akkujen kaltaisten Black & Decker akkujen lataamiseen.

Turvallisuusohjeet

Sähkötyökalujen yleiset turvavaroitukset



Varoitus! Lue kaikki turvavaroitukset ja ohjeet. Jäljempänä olevien varoitusten ja ohjeiden noudattamisen laiminlyönti saattaa johtaa sähköiskuun, tulipaloon ja/tai vakavaan loukkaantumiseen.

Säästä kaikki varoitukset ja ohjeet tulevaa käyttöä varten.

Jäljempänä olevissa varoituksissa käytetyllä käsitteellä "sähkötyökalu" tarkoitetaan verkkokäyttöisiä sähkötyökaluja (verkkojohdolla) ja akkukäyttöisiä sähkötyökaluja (ilman verkkojohtoa).

Työalueen turvallisuus

- **Pidä työalue puhtaana ja hyvin valaistuna.** Työpaikan epäjärjestys ja valaisemattomat työalueet voivat johtaa tapaturmiin.
- **Älä käytä sähkötyökalua räjähdysalttiissa ympäristössä, jossa on palavaa nestettä, kaasua tai pölyä.** Sähkötyökalu saa aikaan kipinöitä, jotka saattavat sytyttää pölyn tai höyryt.
- **Pidä lapset ja sivulliset loitolla sähkötyökalua käyttäessäsi.** Voit menettää laitteen hallinnan, jos huomiosi suuntautuu muualle.

Sähtöturvallisuus

- **Sähkötyökalun pistokkeen on sovitava pistorasiaan.** Pistoketta ei saa muuttaa millään tavalla. Älä käytä mitään pistorasio-ovittimia maadoitettujen sähkötyökalujen kanssa. Alkuperäiset pistokkeet ja niille sopivat pistorasiat vähentävät sähköiskun vaaraa.
- **Vältä koskettamasta maadoitettuja pintoja, kuten putkia, pattereita, liesiä tai jääkaappeja.** Sähköiskun vaara kasvaa, jos kehosi on maadoitettu.
- **Älä altista sähkötyökalua sateelle tai kosteudelle.** Veden tunkeutuminen sähkötyökalun sisään lisää sähköiskun riskiä.

- **Älä käsittele virtajohtoa kovakouraisesti. Älä käytä sitä sähkötyökalun kantamiseen, vetämiseen tai pistokkeen irrottamiseen pistorasiasta.** Pidä johto loitolla kuumuudesta, öljystä, terävistä reunoista ja liikkuvista osista. Vahingoittuneet tai sotkeutuneet johdot lisäävät sähköiskun vaaraa.
- **Käyttäessäsi sähkötyökalua ulkona käytä ainoastaan ulkokäyttöön soveltuvaa jatkojohtoa.** Ulkokäyttöön soveltuvan jatkojohdon käyttö pienentää sähköiskun vaaraa.
- **Jos sähkötyökalua on välttämättä käytettävä kosteassa paikassa, käytä jäännösvirtalaitteella (RCD) suojattua virtalähdettä.** Jäännösvirtalaitteen käyttö vähentää sähköiskun vaaraa.

Henkilöturvallisuus

- **Keskity työskentelyysi ja noudata tervettä järkeä käyttäessäsi sähkötyökaluja.** Älä käytä sähkötyökalua, jos olet väsynyt tai huumeiden, alkoholin tai lääkkeiden vaikutuksen alaisena. Hetken tarkkaamattomuus sähkötyökalua käytettäessä saattaa johtaa vakavaan loukkaantumiseen.
- **Käytä henkilökohtaisia suojarusteita. Käytä aina suojalaseja.** Suojarusteet, kuten hengityssuojain, luistamattomat turvajalkineet, kypärä ja kuulosuojaimet, pienentävät loukkaantumisriskiä, jos niitä käytetään tilanteen mukaan oikein.
- **Vältä tahatonta käynnistämistä. Varmista, että kytkin on OFF-asennossa, ennen kuin liität laitteen virtalähteeseen ja/tai akkuun, nostat laitteen tai kannat sitä.** Onnettomuusvaara lisääntyy, jos kannat sähkötyökalua sormi käyttökytkimellä tai kytket työkalun virtajohtoon pistorasiaan, kun käyttökytkin on päällä.
- **Irrota mahdollinen säätö- tai kiintoavain, ennen kuin käynnistät sahan.** Sahan pyöriivään osaan kiinni jäänyt avain voi johtaa loukkaantumiseen.
- **Älä kirkota liian kauas. Seiso aina tukevasti ja tasapainossa.** Tällöin voit paremmin hallita sähkötyökalua yllättävissä tilanteissa.
- **Käytä tarkoitukseen soveltuvia vaatteita. Älä käytä löysiä työvaatteita tai koruja.** Pidä hiukset, vaatteet ja käsi neet loitolla liikkuvista osista. Väljät vaatteet, korut ja pitkät hiukset voivat takertua liikkuviin osiin.
- **Jos laitteeseen voi kiinnittää pölynkerääjän tai -imurin, tarkista, että se on paikallaan ja että se toimii kunnolla.** Pölynimurin käyttö voi vähentää pölyn aiheuttamia vaaroja.

Sähkötyökalujen käyttö ja hoito

- Älä ylikuormita sähkötyökalua. Käytä kyseiseen työhön tarkoitettua sähkötyökalua. Sopivaa sähkötyökalua käyttäen työskentelet paremmin ja turvallisemmin tehoalueella, jolle sähkötyökalu on tarkoitettu.
- Älä käytä sähkötyökalua, jota ei voida käynnistää ja pysäyttää virtakytkimestä. Jos sähkötyökalua ei voi käynnistää ja pysäyttää virtakytkimellä, se on vaarallinen ja se täytyy korjata.
- Irrota pistotulppa pistorasiasta ja/tai akku laitteesta, ennen kuin suoritat säätöjä, vaihdat tarvikkeita tai siirät sähkötyökalun varastoitavaksi. Nämä turvatoimenpiteet pienentävät sähkötyökalun tahattoman käynnistämisen riskiä.
- Säilytä sähkötyökalut poissa lasten ulottuvilta, kun niitä ei käytetä. Älä anna sähkötyökalua sellaisen henkilön käyttöön, joka ei tunne sitä tai joka ei ole tutustunut tähän käyttöohjeeseen. Sähkötyökalut ovat vaarallisia kokemattoman käyttäjän käsissä.
- Hoida sähkötyökalusi huolella. Tarkista, että liikkuvat osat toimivat moitteettomasti ja etteivät ne ole puristuksessa. Tarkista myös, ettei työkalussa ei ole murtuneita tai vahingoittuneita osia, jotka saattaisivat vaikuttaa haitallisesti sen toimintaan. Korjauta mahdolliset viat ennen käyttöönottoa. Moni tapaturma aiheutuu huonosti huolletuista laitteista.
- Pidä leikkausterät terävinä ja puhtaina. Huolellisesti hoidetut leikkausterät, joiden leikkausreunat ovat teräviä, eivät tartu helposti kiinni, ja niitä on helpompi hallita.
- Käytä sähkötyökaluja, tarvikkeita, vaihtotyökaluja yms. näiden ohjeiden mukaisesti. Ota tällöin huomioon työolosuhteet ja suoritettava toimenpide. Sähkötyökalun käyttö muuhun kuin sille määrättyyn tarkoitukseen saattaa johtaa vaarallisiin tilanteisiin.

Akkukäyttöisten työkalujen käyttö ja hoito

- Lataa akku vain valmistajan määrittelemällä laturilla. Laturi, joka soveltuu määrätyn tyyppiselle akulle, saattaa aiheuttaa tulipalon vaaran erilaista akkua ladattaessa.
- Käytä sähkötyökalussa ainoastaan kyseiseen sähkötyökaluun tarkoitettua akkua. Muun tyyppisen akun käyttö saattaa johtaa loukkaantumiseen ja tulipaloon.

- Pidä irrallinen akku loitolla metalliesineistä, kuten paperiliittimistä, kolikoista, avaimista, nauloista, ruuveista tai muista pienistä metalliesineistä, jotka voivat aiheuttaa oikosulun akun navoissa. Akun napojen välinen oikosuku saattaa aiheuttaa palovammoja tai tulipalon.
- Väärin käytetystä akusta voi vuotaa nestettä. Älä kosketa sitä. Jos nestettä pääsee vahingossa iholle, huuhtelee kosketuskohta vedellä. Jos nestettä pääsee silmiin, tarvitaan lisäksi lääkärin apua. Akusta vuotava neste saattaa aiheuttaa ärsytystä ja palovammoja.

Huolto

- Korjauta sähkötyökalu koulutetulla ja ammattitaitoisella henkilöllä ja hyväksy korjauksiin vain alkuperäisiä varaosia. Siten varmistat, että sähkötyökalu säilyy turvallisena.

Varsileikkurien lisäturvaohjeet

Työkalun käyttötarkoitus on kuvattu tässä käyttöohjeessa. Älä käytä työkalua muihin tarkoituksiin, esimerkiksi puiden kaatamiseen. Muiden kuin ohjeissa suositeltujen lisävarusteiden tai -osien käyttö sekä työkalun käyttö muuhun kuin oppaassa suositeltuun tarkoitukseen voi aiheuttaa loukkaantumisaarannan.

- Pukeudu tiukasti istuviin ja suojaaviin vaatteisiin ja käytä suojakypärää, visiiriä/suojalaseja, kuulosuojaimia, luistamattomia turvajalkineita, suojahousuja ja vahvoja nahkakäsineitä.
- Pysytle poissa putoavien oksien alta.
- Turvallinen etäisyys katkaistavan oksan ja sivullisten, rakennusten ja muiden rakenteiden välillä on vähintään 2,5 kertaa oksan pituus. Putoavat oksat voivat osua tätä etäisyyttä lähempänä oleviin sivullisiin, rakennuksiin tai muihin rakenteisiin ja aiheuttaa vaaratilanteita.
- Suunnittele turvallinen poistumisreitti kaadetavan puun luota. Varmista, että aikomassasi väistämissuunnassa ei ole siirtymistä rajoittavia esteitä. Muista, että märkä ruoho ja juuri irronnut puunkuori ovat liukkaita.
- Varmista, että joku on lähellä (mutta turvallisen etäisyyden päässä) onnettomuuden varalta.
- Älä käytä työkalua ollessasi puussa, tikkailla tai jollakin muulla epävakaaalla alustalla.
- Seiso aina tukevasti ja tasapainossa.
- Pidä työkalusta kiinni tukevasti molemmin käsin moottorin käydessä.
- Ketjun pyöriessä varo, ettei laipan alkisi osu mihinkään kohteeseen.

- Aloita katkaisu vain ketjun pyöriessä täydellä nopeudella.
- Älä sahaa vanhasta sahausurasta. Tee aina uusi sahausviilto.
- Tarkkaile oksan liikkeitä, sillä katkaisukohtaan saattaa kohdistua voimaa, joka johtaa terän takertumiseen katkaisukohtaan.
- Älä yritä katkaista oksaa, joka on paksumpi kuin työkalun sahausvyvyys.
- Kun varastoit työkalun tai kuljetat sitä, poista akku aina ensin työkalusta ja aseta ketjukoppa ketjun päälle.
- Pidä teräketju terävänä ja oikealla kireydellä. Tarkista kireys säännöllisesti.
- Sammuta laite, anna teräketjun pysähtyä ja poista akku laitteesta, ennen kuin säädät tai huollat laitetta.
- Käytä aina vain alkuperäisiä varaosia ja lisävarusteita.
- Kanna varsileikkuria kahvasta siten, että leikkurin terä on pysäytetty. Kun kuljetat työkalua tai varastoit sen, aseta leikkurin suojuksen paikalleen ja pura leikkuri irrotettavissa oleviin osiin. Varsileikkurin oikea käsittely vähentää itselle ja toisille aiheutuvien vammojen riskiä.

Muut riskit

Muut riskit ovat mahdollisia, jos käytät työkalua muulla kuin turvavaroituksissa mainitulla tavalla. Nämä riskit voivat liittyä muun muassa virheelliseen tai pitkäaikaiseen käyttöön. Tiettyjä muita riskejä ei voi välttää, vaikka noudatat kaikkia turvamääräyksiä ja käytät turvalaitteita. Näihin kuuluvat muun muassa

- pyörievien tai liikkuvien osien koskettamisen aiheuttamat vahingot
- osia, teriä tai lisävarusteita vaihdettaessa aiheutuneet vahingot
- työkalun pitkäaikaisen käytön aiheuttamat vahingot Kun käytät työkalua pitkään, varmista, että pidät säännöllisesti taukoja.
- kuulovauriot
- työkalua käytettäessä (esimerkiksi puuta, erityisesti tammea, pyökkiä ja MDF-levyjä, käsiteltäessä) syntyneen pölyn sisäänhengityksen aiheuttamat terveystriskit

Tärinä

Teknisissä tiedoissa ja vaatimustenmukaisuusilmoituksessa ilmoitettu tärinäpäästöarvo on mitattu standardin EN 60745 testausmenetelmän mukaisesti, ja sen avulla voidaan vertailla työkaluja keskenään. Ilmoitettua tärinäpäästöarvoa voidaan käyttää myös altistumisen alustavaan arviointiin.

Varoitus! Sähkötyökalun käytön aikana mitattu todellinen tärinäpäästöarvo voi poiketa ilmoitetusta tärinäpäästöarvosta työkalun käyttötavan mukaan. Tärinätaso voi olla ilmoitettua tasoa suurempi.

Kun tärinälle altistumista arvioidaan sen määrittämiseksi, mitä direktiivin 2002/44/EY mukaisia turvatoimenpiteitä vaaditaan sähkötyökaluja säännöllisesti käyttävien henkilöiden suojelemiseksi, tärinälle altistumisen arvioinnissa on otettava huomioon todelliset käyttöolosuhteet ja työkalun käyttötavat. Todellisen käytön lisäksi on kiinnitettävä huomiota myös siihen, milloin työkalu on sammutettuna tai se käy tyhjäkäynnillä.

Karsiminen

Varmista etukäteen ennen puun karsimista, että puun kaataminen on luvallista.

- Huomioi suunta, johon oksa voi pudota. Mieti etukäteen kaikkia putoamissuuntaan vaikuttavia tilanteita, joita ovat esimerkiksi seuraavat:
 - katkaistavan oksan pituus ja paino
 - suunta, johon oksan pitäisi pudota
 - poikkeuksellisen raskaat oksat tai lahot kohdat
 - ympäröivät puut ja esteet
 - myös yli kulkevat jännitejohdot
 - oksan kiinnittyminen muihin oksiin.
 - tuulen nopeus ja suunta.
- Selvitä, miten karsintakohtaan pääsee.

Katkaistavat oksat kallistuvat puun runkoa kohti. Putoavat oksat voivat osua karsijan lisäksi puun alla oleviin sivullisiin, rakennuksiin tai muihin esineisiin.

Muiden turvallisuus

- Tätä laitetta ei ole tarkoitettu sellaisten henkilöiden käyttöön, joilla on fyysisiä tai älyllisiä rajoitteita tai aistirajoitteita, ei myöskään laitteen toimintaan perehtymättömien henkilöiden käyttöön (lapset mukaan luettuina), paitsi valvonnan alaisina, tai jos he ovat saaneet laitteen käytön opastusta heidän turvallisuudestaan vastaavalta henkilöltä.
- Lapsia on valvottava ja heitä on estettävä leikkimästä laitteella.

Varoitusmerkit

Työkalussa on seuraavat varoitusmerkinnät:



Varoitus! Käyttäjän on luettava käyttöohje vahinkojen välttämiseksi.



Älä käytä laitetta märissä olosuhteissa tai jätä sitä sateeseen.



Käytä aina kypärää ja suojalaseja.



Käytä liukuesteturvajalkineita.



Varo putoavia esineitä. Pidä sivulliset loitolla.



Tappavan sähköiskun vaara. Pysy vähintään 10 metrin päässä yli kulkevista jännitejohtoista.



Varmista jatkuva turvallinen toiminta tarkistamalla ketjun kireys tässä käyttöohjeessa kuvatulla tavalla aina 10 käyttöminuutin jälkeen. Säädä ketjua takaisin 3 mm:n välykseen tarpeen vaatiessa. Lisää ketjun voiteluöljyä 10 minuutin välein.



Ketjun pyörimissuunta.



Varoitus! Älä pidä kättä lastujen poistauksen kohdalla.

Akkua ja laturia koskevat lisäturvaohteet

Akku

- Älä koskaan yritä avata akkua.
- Älä anna akun kastua.
- Älä altista akkua kuumuudelle.
- Älä säilytä akkua tiloissa, joissa lämpötila voi nousta yli 40 °C:een.
- Lataa akku paikassa, jonka lämpötila on vähintään +10 °C ja enintään +40 °C.
- Käytä akun lataamiseen vain laitteen mukana toimitettua laturia. Väärän tyyppinen laturi voi aiheuttaa sähköiskun tai akun ylikuumentumisen.
- Noudata akkuja hävittäessäsi kohdassa ”Ympäristönsuojelu” annettuja ohjeita.
- Suojaa akkua vahingoittumiselta niin, ettei sen kotelo rikkoudu eikä siihen kohdistu iskuja, sillä muutoin voi syntyä henkilövahinkojen ja tulipalon vaara. Älä lataa viallisia akkuja.
- Vaativissa oloissa voi ilmetä akkuvuotoja. Jos havaitset akkujen pinnalla nestettä, pyyhi se huolellisesti pois rievulla. Vältä ihokosketusta.

- Jos nestettä joutuu silmiin tai iholle, noudata jäljempänä olevia ohjeita.

Varoitus! Akkuneste voi aiheuttaa aineellisia vahinkoja tai henkilövahinkoja. Jos nestettä joutuu iholle, se on välittömästi huuhdeltava pois vedellä. Jos ihoa kirvelee tai se punoitaa tai on muuten ärtynyt, kysy lisäohjeita lääkäriltä. Jos nestettä joutuu silmiin, huuhto välittömästi puhtaalla vedellä ja mene lääkäriin.

Laturit

Laturi on tarkoitettu tietylle jännitteelle. Tarkista aina, että verkkojännite vastaa arvokilvessä ilmoitettua jännitettä.

Varoitus! Älä yritä korvata laturiyksikköä tavalisella verkkopistokkeella.

- Käytä Black & Deckerin laturia vain laitteen/työkalun mukana toimitetun akun lataamiseen. Muut akut voivat räjähtää ja aiheuttaa henkilövahinkoja tai aineellisia vahinkoja.
- Älä koskaan yritä ladata akkuja, joita ei ole tarkoitettu ladattaviksi.
- Jos virtajohto vahingoittuu, sen vaihtaminen on turvallisuussyistä jätettävä valmistajan tai valtuutetun Black & Decker -huollon tehtäväksi.
- Älä altista laturia vedelle.
- Älä avaa laturia.
- Älä työnnä mitään laturin sisään.
- Lataa laite/työkalu/akku paikassa, jossa on kunnollinen ilmanvaihto.

Laturin merkinnät

Laturissa on seuraavat merkinnät:



Laturi on tarkoitettu ainoastaan sisäkäyttöön.



Lue käyttöohjeet huolellisesti ennen laitteen käyttöä.



Laturi kytkeytyy automaattisesti pois päältä, jos ympäröivä lämpötila nousee liian korkeaksi. Kun ympäristön lämpötila on laskenut, laturi jatkaa toimintaansa.



Lataa akku paikassa, jonka lämpötila on vähintään +10 °C ja enintään +40 °C.

Sähköturvallisuus



Laturi on kaksoiseristetty, joten erillistä maadoitusta ei tarvita. Tarkista aina, että verkkojännite vastaa arvokilvessä ilmoitettua jännitettä. Älä yritä korvata laturiyksikköä tavallisella verkkopistokkeella.

Yleiskuvaus

1. Virtakytkin
2. Lukituspainike
3. Pääkädensija
4. Sahan pää
5. Hammaspyörän suojuus
6. Laippa
7. Ketju
8. Teräsuojus
9. Öljypullo
10. Jatkoputki
11. Akku

Kuva A

12. Laturi

Kokoaminen

Varoitus! Poista akku laitteesta aina ennen kokoamista.

Akun kiinnittäminen ja irrottaminen (kuva B)

- Kiinnitä akku (11) asettamalla se laitteen kiinnityssyvennyksen kanssa samaan linjaan. Liu'uta akkua kiinnityssyvennykseen, kunnes akku lukittuu paikalleen.
- Irrota akku painamalla vapautuspainiketta (13) samalla kun vedät akkua irti kiinnityssyvennyksestä.

Varoitus! Jotta saaha ei käynnistetä vahingossa, irrota akku ja varmista, että teräsuojus on paikallaan teräketjun päällä, ennen kuin suoritat seuraavat toimenpiteet. Jos näin ei menetellä, seurauksena saattaa olla vakava tapaturma.

Sahan pään asentaminen (kuva C)

Sahan pää voidaan kiinnittää suoraan kädensijaan tavanomaisen toiminta-alueen aikaansaamiseksi.

- Aseta kädensijan (3) kytkentäpään ulkopuolella oleva ura sahan pään (4) kytkentäpään sisäpuolella olevaan kielekkeeseen. Työnnä sahan pää (4) kädensijaan (3).

- Liu'uta kartio (14) alas ja kierrä sitä myötäpäivään, kunnes se on täysin kireällä.
- Varoitus! Tarkista liitännät säännöllisesti varmistaaksesi, että ne ovat tiukasti kiinni.**

Sahan pään pidentäminen (kuva D)

Mahdollisimman suuri toiminta-alue saadaan aikaan asentamalla jatkoputki (10) sahan pään (4) ja kädensijan (3) välille.

- Aseta kädensijan (3) kytkentäpään ulkopuolella oleva ura jatkoputken (10) kytkentäpään sisäpuolella olevaan kielekkeeseen.
- Työnnä jatkoputki (10) kädensijaan (3).
- Liu'uta kartio (15) alas ja kierrä sitä myötäpäivään, kunnes se on täysin kireällä.
- Aseta jatkoputken (10) kytkentäpään ulkopuolella oleva ura sahan pään (4) kytkentäpään sisäpuolella olevaan kielekkeeseen.
- Työnnä sahan pää (4) jatkoputkeen (10).
- Liu'uta kartio (14) alas ja kierrä sitä myötäpäivään, kunnes se on täysin kireällä.

Varoitus! Tarkista liitännät säännöllisesti varmistaaksesi, että ne ovat tiukasti kiinni.

Sahan pään irrottaminen (kuva C & D)

Jos jatkoputki (10) asennetaan, sahan pää on irrotettava ensin.

- Irrota sahan pää (4) asettamalla kädensija (3) maahan, löysäämällä kartio (14) ja irrottamalla sahan pää.

Käyttö

Varoitus! Anna koneen käydä omaan tahtiinsa. Älä ylikuormita sitä.

Akun lataaminen (kuva A)

Lataa akku ennen ensimmäistä käyttökertaa ja aina silloin, kun se ei enää tuota riittävästi virtaa toimintoihin, jotka aikaisemmin hoituivat helposti. Ladatessasi akkua ensimmäisen kerran tai pitkäaikaisen säilytyksen jälkeen se latautuu vain 80-prosenttisesti.

Useiden lataus- ja tyhjenty miskertojen jälkeen akku saavuttaa täyden kapasiteettinsa. Akku voi lämmetä ladattaessa. Tämä on normaalia, eikä se ole merkki mistään viasta.

Varoitus! Älä lataa akkua, jos ympäristön lämpötila on alle +10 °C tai yli +40 °C. Suositeltava latauslämpötila: noin +24 °C.

- Lataa akku (11) poistamalla se työkalusta ja asettamalla se laturiin (12). Akku sopii laturiin vain yhdessä asennossa. Älä laita sitä laturiin väkisin. Varmista, että akku on kunnolla laturissa.
- Kytke laturi pistorasiaan.

8 tunnin laturi

Akku latautuu täyteen noin 8 tunnissa. Se voidaan poistaa koska tahansa tai jättää laturiin määräämättömäksi ajaksi.

Käynnistys ja pysäytys (kuva E)

Käyttöturvallisuuden lisäämiseksi tämä työkalu on varustettu käynnistysvarmistimella. Järjestelmä estää työkalun tahattoman käynnistämisen.

Käynnistys

- Paina lukituspainiketta (2) taaksepäin peukalolasi ja paina samanaikaisesti virrankatkaisijaa (1).
- Vapauta lukituspainike (2).

Sammuttaminen

- Päästä irti virrankatkaisijasta (1).

Varoitus! Älä koskaan yritä lukita kytkimiä käyttöasentoon.

Karsiminen (kuva F)

- Ennen varsinaista katkaisuvaihetta anna työkalun toimia täydellä nopeudella.
- Pidä työkalusta kiinni tukevasti molemmin käsin, jotta se ei pääse ponnahtelemaan tai liikkumaan sivusuunnassa.
- Ohjaa työkalu oksan läpi kevyesti painaen. Kun sahaat isoja oksia, jolloin osittainen sahaus voi saada aikaan sälöjä tai vahingoittaa puuta, toimi seuraavasti:
 - Sahaa ensin 15 cm puun rungosta karsintakohdan alapuolella. Käytä tähän sahaukseen laipan (7) yläpintaa.
 - Sahaa 1/3 karsintakohdan läpimitasta. Sahaa sitten sen yläpuolelta.

Puhdistus, hoito ja säilytys

Verkkojohdolla varustettu tai verkkojohdoton Black & Deckerin laite/työkalu on suunniteltu toimimaan mahdollisimman kauan mahdollisimman vähällä huollolla.

Oikealla huollolla ja säännöllisellä puhdistuksella kone säilyttää suorituskykynsä.

Varoitus! Ennen verkkojohdolla varustetun tai verkkojohdoton sähkötyökalun huoltoa toimi seuraavasti.

- Sammuta laite/työkalu ja irrota se verkkovirrasta.
- Jos laitteessa/työkalussa on erillinen akku, sammuta laite/työkalu ja irrota sen akku.
- Jos akku on kiinteä, käytä akku täysin loppuun ja sammuta laite/työkalu sitten.
- Irrota laturi pistorasiasta ennen laturin puhdistamista. Laturi ei tarvitse säännöllisen puhdistamisen lisäksi mitään muuta huoltoa.

Puhdista laitteen/työkalun/laturin ilma-aukot säännöllisesti pehmeällä harjalla tai kuivalla rievulla. Puhdista moottorikotelo säännöllisesti kostealla rievulla. Älä koskaan käytä puhdistamiseen liuotainaineita tai syövyttäviä puhdistusaineita. Avaa istukka säännöllisesti ja naputtele pöly pois sen sisältä (soveltuvin osin).

Käytön jälkeen ja ennen varastointia

- Puhdista ilma-aukot puhtaalla, kuivalla maalisiveltimellä.
- Käytä työkalun puhdistukseen vain mietoa saippualliuosta ja kosteaa riepua. Älä koskaan päästä nestettä valumaan työkalun sisään äläkä upota mitään työkalun osaa nesteeseen.
- Poista roskat kovalla harjalla.
- Voitele ketju öljyllä.

Teräketjun asentaminen ja irrottaminen (kuva G & H)

Varoitus! Pidä aina suojakäsineitä asentaessasi tai irrottaessasi teräketjua. Teräketju on terävä ja voi aiheuttaa haavan myös liikkumattomana ollessaan.

- Aseta työkalu tukevalle ja vakaalle pinnalle.
- Löysää ruuvit (16) työkalun mukana toimitetulla kuusiokoloavaimella. Irrota ruuvit.
- Irrota hammaspyörän suojus (5) ketjun kiinnityslaite (17).
- Kierrä ruuvia (18) vastapäivään niin, että laippa (6) vetäytyy ja vähentää teräketjun (7) kireyttä.
- Irrota vanha teräketju hammaspyörästä (19) ja laipasta (6).
- Aseta uusi teräketju laipan uraan ja hammaspyörän ympärille. Varmista, että hampaat ovat oikeassa suunnassa tarkistamalla, että teräketjun nuolet osoittavat samaan suuntaan kuin kuoressa olevat nuolet.
- Varmista, että laipassa oleva kolo (20) on kohdistustappien (21) yläpuolella ja että kolon alapuolella oleva reikä (22) on säätönupin (23) kohdalla.
- Asenna uudelleen hammaspyörän suojus (5), ketjun kiinnityslaite (17) ja ruuvit (16).

- Kiristä ruuvit (16) työkalun mukana toimitetulla kuusiokoloavaimella.
- Säädä ketjun kireys jäljempänä kuvatulla tavalla.

Jatkuva turvallinen toiminta edellyttää, että teräketju ja laippa vaihdetaan vain alkuperäisiin Black & Deckerin varaosiin. Varaosana saatavan ketjun tuotenumero on A6158 ja laipan 623381-00.

Ketjun kireyden tarkastus ja säätö (kuva G)

- Tarkista teräketjun kireys. Kireys on oikea, kun teräketjua (7) voi keskisormella ja peukalolla kevyesti nostaa teräketjun levystä irti 3 mm ja vapauttamisen jälkeen ketju napsahtaa takaisin vasten levyä. Teräketju (7) ei saa roikkua laipan (6) alapuolella.

Kireyden säätö:

- Löysää ruuvit (16).
- Kierrä ruuvia (18) myötäpäivään.

Varoitus! Älä kiristä ketjua liian tiukalle, koska tällöin laippa ja ketju kuluvat loppuun ennenaikaisesti.

- Kun ketjun kireys on oikea, kiristä ruuvit (18).

Varoitus! Kun teräketju on uusi, tarkista kireys usein kahden ensimmäisen käyttötunnin aikana, sillä uusi teräketju venyy jonkin verran.

Ketjun voitelu

Teräketju on voideltava ennen jokaista käyttökertaa ja puhdistuksen jälkeen käyttämällä oikeaa öljyä (tuotenro A6027).

- Voitele koko teräketju (7) tasaisesti käyttämällä voitelulaitetta (9).

Säilytys

Kun työkalua ei ole tarkoitus käyttää pitkään aikaan, jätä akku kytketyksi laturiin.

Muutoin toimi seuraavasti:

- Lataa akku täyteen.
- Poista akku työkalusta.
- Säilytä työkalua ja akkua turallisessa ja kuivassa paikassa.
- Säilytyspaikan lämpötilan täytyy aina olla vähintään +10 °C ja enintään +40 °C. Aseta akku tasaiselle alustalle.
- Lataa akku täyteen, ennen kuin käytät työkalua pitkäaikaisen säilytyksen jälkeen.

Ympäristönsuojelu



Erillinen keräys. Tätä tuotetta ei saa hävittää normaalin kotitalousjätteen kanssa.

Kun Black & Decker -laitteesi aikanaan täytyy vaihtaa tai ei kelpaa enää käyttöön, älä hävitä laitetta kotitalousjätteen mukana. Toimita laite kierrätettäväksi.



Käytettyjen tuotteiden ja pakkausmateriaalien erilliskeruun avulla materiaalit voidaan kierrättää ja käyttää uudelleen. Kierrätysmateriaalien käyttö auttaa vähentämään ympäristön saastumista ja uusien raaka-aineiden tarvetta.

Paikallisissa säädöksissä voidaan määrätä, että kodin sähkötuotteiden keruu tapahtuu kaupunkien jätteidenkäsittelyasemilla tai laitteita myyvissä liikkeissä uuden tuotteen oston yhteydessä. Kun laitteesi on käytetty loppuun, älä hävitä sitä tavallisten roskien mukana, vaan vie se paikkakuntasi kierrätyskeskukseen tai jätä se valtuutettuun Black & Deckerin huoltoliikkeeseen. Tiedot valtuutetuista huoltoliikkeistä saa ottamalla yhteyden Black & Decker Oy:hyn tässä käyttöohjeessa ilmoitetussa osoitteessa. Valtuutettujen Black & Decker -huoltoliikkeiden yhteystiedot sekä lisätietoja palveluistamme ja takuuehdoista on myös Internetissä osoitteessa:

www.2helpU.com

Akku



Hävitä loppuun kuluneet akut ympäristöstävällisesti.

- Käsittele akkua niin, että navat eivät joudu oikosulkuun.
- Älä yritä polttaa akkua, sillä se voi aiheuttaa henkilövahinkoja tai räjähtää.
- Käytä akku täysin loppuun ja irrota se sitten työkalusta.
- Akut ovat kierrätyskelpoisia. Pakkaa akut niin, että navat eivät aiheuta oikosulkuja. Voit viedä akut mihin tahansa valtuutettuun huoltoliikkeeseen tai paikalliseen kierrätyskeskukseen.

Tekniset tiedot

		GPC1800 (H2) GPC1800P (H2)	
Jännite	V _{DC}	18	
Ketjun nopeus (kuormittamattoma)	m/min	114	
Paino	Kg	3.5	
Suurin sahauspituus	cm	17	

Akku	A18		A1718
Jännite	V _{DC}	18	18
Teho	Ah	1.5	1.7
Akun tyyppi		NiCd	NiCd

Laturi	9050084*		
Tulojännite	V _{AC}	230 - 240V	
Lähtöjännite	V _{DC}	21.75	
Ampeeriluku	mA	210	
Arvioitu latausaika	h	8	

Äänitehotaso mitattuna standardin EN ISO 3744 mukaisesti: LWA = 98 dB(A), epätarkkuus (K) = 3 dB(A)

Äänenpainetaso mitattuna standardin EN ISO 11203 mukaisesti: LPA = 78 dB(A), epätarkkuus (K) = 3 dB(A)

Tärinän kokonaisarvot (vektorisumma), määritetty standardin EN 60745 mukaisesti			
Leikattaessa puuta	Tärinäpäästöarvo ah=	<2.5	m/s ²
	Epätarkkuus K=	<1.5	m/s ²

EY-vaatimustenmukaisuusvakuutus

KONEDIREKTIIVI



GPC1800, GPC1800P

Black & Decker ilmoittaa, että tuotteet, jotka on kuvattu kohdassa "Tekniset tiedot" ovat seuraavien direktiivien vaatimusten mukaisia: 98/37/EY (28. joulukuuta 2009 asti), 2006/42/EY (29. joulukuuta 2009 alkaen), EN60745-1,

Nämä tuotteet täyttävät myös direktiivin 2004/108/EY vaatimukset. Lisätietoja saa ottamalla yhteyden Black & Deckeriin seuraavassa osoitteessa. Tiedot ovat myös käyttöohjeen takakannessa.

Allekirjoittanut vastaa teknisten tietojen kokoamisesta ja antaa tämän ilmoituksen Black & Deckerin puolesta.

Kevin Hewitt
Vice-President Global Engineering
Black & Decker Europe, 210 Bath Road, Slough,
Berkshire, SL1 3YD
Yhdistynyt kuningaskunta
12/04/2012

Takuu

Black & Decker takaa, ettei tuotteessa ole materiaali- ja/tai valmistusvikaa silloin, kun se toimitetaan ostajalle. Takuu on lisäys kuluttajan laillisiin oikeuksiin eikä vaikuta niihin.

Takuu on voimassa Euroopan unionin jäsenvaltioissa ja Euroopan vapaakauppa-alueella (EFTA).

Mikäli Black & Decker -kone hajoaa materiaali- ja/ tai valmistusvirheen tai teknisten tietojen epätarkkuuden vuoksi 24 kk:n kuluessa ostopäivästä, Black & Decker korjaa koneen ilman kustannuksia ostajalle tai vaihtaa sen Black & Decker Oy:n valinnan mukaan. Takuu ei kata vikoja, jotka johtuvat seuraavista:

- Tuotetta on käytetty kaupallisesti, ammattimaisesti tai vuokraukseen.
- Tuotetta on käytetty tai hoidettu virheellisesti.
- Tuotetta on vahingoitettu vieraalla esineellä tai aineella tai se on ollut onnettomuudessa.
- Jos korjauksia on yrittänyt joku muu kuin Black & Deckerin valtuuttama edustaja tai Black & Deckerin henkilökunta.

Edellytyksenä takuun saamiselle on, että ostaja toimittaa ostokuitin jälleenmyyjälle tai valtuutetulle huoltoliikkeelle. Tiedot valtuutetuista huoltoliikkeistä saa ottamalla yhteyden Black & Decker Oy:hyn tässä käyttöohjeessa ilmoitetussa osoitteessa. Valtuutettujen Black & Decker -huoltoliikkeiden yhteystiedot sekä lisätietoja palveluistamme ja takuehdoista on myös Internetissä osoitteessa:

www.2helpU.com

Voit rekisteröidä uuden Black & Decker -tuotteesi ja tarkastella tietoja uusista tuotteista ja erikoistarjousista verkkosivuillamme www.blackanddecker.fi. Katso Black & Decker -tavaramerkin ja tuotevalikoimamme lisätiedot osoitteesta

www.blackanddecker.fi

Ενδειγμένη χρήση

Το κλαδευτήρι με μακριά λαβή χωρίς καλώδιο της Black & Decker έχει σχεδιαστεί για κλάδεμα δέντρων. Αυτό το εργαλείο προορίζεται μόνο για ερασιτεχνική χρήση.

Ο φορτιστής Black & Decker έχει σχεδιαστεί για τη φόρτιση των μπαταριών της Black & Decker αυτού του τύπου που παρέχονται με αυτό το εργαλείο.

Οδηγίες ασφαλείας**Γενικές προειδοποιήσεις ασφαλείας για τα ηλεκτρικά εργαλεία**

Προειδοποίηση! Διαβάστε όλες τις προειδοποιήσεις ασφαλείας και όλες τις οδηγίες. Η μη τήρηση των παρακάτω προειδοποιήσεων και οδηγιών μπορεί να προκαλέσει ηλεκτροπληξία, πυρκαγιά ή/και σοβαρούς τραυματισμούς.

Φυλάξτε όλες τις προειδοποιήσεις και τις οδηγίες για μελλοντική αναφορά.

Ο χαρακτηρισμός “ηλεκτρικό εργαλείο” που χρησιμοποιείται σε όλες τις παρακάτω προειδοποιήσεις αφορά τα εργαλεία που συνδέονται στην πρίζα (με καλώδιο) ή τα εργαλεία που λειτουργούν με μπαταρία (χωρίς καλώδιο).

Ασφάλεια χώρου εργασίας

- **Διατηρείτε το χώρο εργασίας καθαρό και καλά φωτισμένο.** Οι ακατάστατοι χώροι και τα σημεία χωρίς καλό φωτισμό δημιουργούν προϋποθέσεις για ατυχήματα.
- **Μη χρησιμοποιείτε ηλεκτρικά εργαλεία σε περιβάλλον όπου υπάρχει κίνδυνος έκρηξης, π.χ. παρουσία εύφλεκτων υγρών, αερίων ή σκόνης.** Τα ηλεκτρικά εργαλεία μπορεί να δημιουργήσουν σπινθηρισμό ο οποίος μπορεί να αναφλέξει τη σκόνη ή τις αναθυμιάσεις.
- **Όταν χρησιμοποιείτε το ηλεκτρικό εργαλείο, κρατάτε τα παιδιά και τα υπόλοιπα άτομα μακριά από το χώρο εργασίας.** Σε περίπτωση που άλλα άτομα αποσπάσουν την προσοχή σας μπορεί να χάσετε τον έλεγχο του εργαλείου.

Ασφαλής χρήση του ηλεκτρικού ρεύματος

- **Το φως του καλωδίου του ηλεκτρικού εργαλείου πρέπει να ταιριάζει στην αντίστοιχη πρίζα. Δεν επιτρέπεται με κανέναν τρόπο η μετασκευή του φως. Μη χρησιμοποιείτε προσαρμοστικά φως με γειωμένα ηλεκτρικά εργαλεία.** Τα φως που δεν έχουν υποστεί τροποποιήσεις και οι κατάλληλες πρίζες μειώνουν τον κίνδυνο ηλεκτροπληξίας.
- **Αποφύγετε την επαφή του σώματός σας με γειωμένες επιφάνειες όπως σωλήνες, θερμαντικά σώματα (καλοριφέρ), κουζίνες και ψυγεία.** Όταν το σώμα σας είναι γειωμένο, αυξάνεται ο κίνδυνος ηλεκτροπληξίας.
- **Μην εκθέτετε τα ηλεκτρικά εργαλεία στη βροχή ή την υγρασία.** Η εισχώρηση νερού στο ηλεκτρικό εργαλείο αυξάνει τον κίνδυνο ηλεκτροπληξίας.
- **Μην κακομεταχειρίζεστε το καλώδιο. Μη χρησιμοποιείτε ποτέ το καλώδιο για να μεταφέρετε το εργαλείο, να το τραβήξετε ή να το αποσυνδέσετε από την πρίζα. Κρατάτε το καλώδιο μακριά από θερμότητα, λάδια, αιχμηρά άκρα ή κινούμενα εξαρτήματα.** Τυχόν χαλασμένα ή μπερδεμένα καλώδια αυξάνουν τον κίνδυνο ηλεκτροπληξίας.
- **Όταν χρησιμοποιείτε το ηλεκτρικό εργαλείο σε εξωτερικούς χώρους, να χρησιμοποιείτε πάντοτε καλώδια προέκτασης κατάλληλα για χρήση σε εξωτερικούς χώρους.** Η χρήση προεκτάσεων κατάλληλων για εργασία σε εξωτερικούς χώρους μειώνει τον κίνδυνο ηλεκτροπληξίας.
- **Εάν η χρήση ενός ηλεκτρικού εργαλείου σε μία υγρή τοποθεσία είναι αναπόφευκτη, χρησιμοποιήστε μια Διάταξη Προστασίας Ρεύματος Διαρροής (RCD).** Η χρήση μιας διάταξης RCD μειώνει τον κίνδυνο ηλεκτροπληξίας.

Ασφάλεια προσώπων

- **Όταν χρησιμοποιείτε το ηλεκτρικό εργαλείο, να είστε προσεκτικοί, να δίνετε προσοχή στην εργασία που κάνετε και να επιστρατεύετε την κοινή λογική. Μη χρησιμοποιείτε το ηλεκτρικό εργαλείο όταν είστε κουρασμένοι ή όταν βρίσκεστε υπό την επήρεια ναρκωτικών, οινοπνεύματος ή φαρμάκων.** Μια στιγμήα απροσεξία κατά το χειρισμό του ηλεκτρικού εργαλείου μπορεί να οδηγήσει σε σοβαρούς τραυματισμούς.

- **Να χρησιμοποιείτε εξοπλισμό προσωπικής προστασίας. Να φοράτε πάντα προστατευτικά γυαλιά.** Ο κίνδυνος τραυματισμών μειώνεται όταν χρησιμοποιείτε εξοπλισμό προστασίας, όπως μάσκα προστασίας από σκόνη, αντιολισθητικά παπούτσια ασφαλείας, κράνη ή ωτασπίδες, ανάλογα με τις συνθήκες εργασίας.
- **Αποφεύγετε την ακούσια ενεργοποίηση. Βεβαιωθείτε ότι ο διακόπτης λειτουργίας βρίσκεται στη θέση “OFF” πριν συνδέσετε το εργαλείο στην πρίζα ή/και τοποθετήσετε την μπαταρία, πριν το σηκώσετε ή το μεταφέρετε.** Η μεταφορά ηλεκτρικών εργαλείων με το δάχτυλό σας επάνω στο διακόπτη ή η σύνδεση στην πρίζα ηλεκτρικών εργαλείων με το διακόπτη στη θέση ενεργοποίησης, ενέχει κινδύνους πρόκλησης ατυχημάτων.
- **Πριν θέσετε το ηλεκτρικό εργαλείο σε λειτουργία, αφαιρέστε τυχόν εργαλεία ή κλειδιά ρύθμισης.** Εάν αφήσετε ένα εργαλείο ή κλειδί πάνω σε κάποιο περιστρεφόμενο εξάρτημα του ηλεκτρικού εργαλείου μπορεί να προκληθούν τραυματισμοί.
- **Μην τεντώνετε. Φροντίστε πάντοτε να έχετε την κατάλληλη στάση και να διατηρείτε την ισορροπία σας.** Αυτό σας επιτρέπει τον καλύτερο έλεγχο του ηλεκτρικού εργαλείου σε περιπτώσεις απροσδόκτων καταστάσεων.
- **Φοράτε κατάλληλη ενδυμασία εργασίας. Μη φοράτε φαρδιά ρούχα ή κοσμήματα. Κρατάτε τα μαλλιά, τα ενδύματα και τα γάντια σας μακριά από τα κινούμενα εξάρτηματα.** Τα φαρδιά ρούχα, τα κοσμήματα και τα μακριά μαλλιά μπορεί να εμπλακούν στα κινούμενα εξάρτηματα.
- **Αν προβλέπονται διατάξεις απαγωγής και συλλογής της σκόνης, βεβαιωθείτε ότι είναι συνδεδεμένες και ότι χρησιμοποιούνται σωστά.** Η χρήση τέτοιων διατάξεων μειώνει τους κινδύνους που προέρχονται από τη σκόνη.

Χρήση και συντήρηση του ηλεκτρικού εργαλείου

- **Μην υπερφορτώνετε το ηλεκτρικό εργαλείο. Χρησιμοποιείτε για την εκάστοτε εργασία σας το ηλεκτρικό εργαλείο που προορίζεται γι' αυτήν.** Με το κατάλληλο ηλεκτρικό εργαλείο, εργάζεστε καλύτερα και ασφαλέστερα στην ονομαστική περιοχή ισχύος του.
- **Μη χρησιμοποιήσετε ποτέ ένα ηλεκτρικό εργαλείο του οποίου ο διακόπτης λειτουργίας είναι χαλασμένος.** Ένα ηλεκτρικό εργαλείο του οποίου η λειτουργία δεν μπορεί να ελεγχθεί με το διακόπτη είναι επικίνδυνο και πρέπει να επισκευαστεί.

- **Βγάλτε το φως από την πρίζα ή/και την μπαταρία από το ηλεκτρικό εργαλείο, πριν διεξαγάγετε κάποια εργασία ρύθμισης, πριν αλλάξετε κάποιο εξάρτημα ή όταν πρόκειται να αποθηκεύσετε τα ηλεκτρικά εργαλεία.** Αυτά τα προληπτικά μέτρα ασφαλείας μειώνουν τον κίνδυνο να τεθεί το εργαλείο ακούσια σε λειτουργία.
- **Να φυλάτε τα ηλεκτρικά εργαλεία που δε χρησιμοποιείτε μακριά από παιδιά. Μη αφήνετε άτομα που δεν είναι εξοικειωμένα με το ηλεκτρικό εργαλείο ή που δεν έχουν διαβάσει αυτές τις οδηγίες χρήσης να το χρησιμοποιήσουν.** Τα ηλεκτρικά εργαλεία είναι επικίνδυνα όταν χρησιμοποιούνται από άπειρα άτομα.
- **Να συντηρείτε τα ηλεκτρικά εργαλεία. Ελέγξτε εάν τα κινούμενα εξάρτηματα είναι σωστά ευθυγραμμισμένα ή αν έχουν μπλοκάρει, εάν έχουν σπάσει κομμάτια και εάν πληρούνται όλες οι υπόλοιπες προϋποθέσεις που ενδεχομένως να επηρεάσουν τη σωστή λειτουργία του εργαλείου.** Δώστε τυχόν χαλασμένα εξάρτηματα του ηλεκτρικού εργαλείου για επισκευή πριν το χρησιμοποιήσετε πάλι. Η ανεπαρκής συντήρηση των ηλεκτρικών εργαλείων αποτελεί αιτία πολλών ατυχημάτων.
- **Διατηρείτε τα κοπτικά εργαλεία κοφτερά και καθαρά.** Τα κοπτικά εργαλεία με αιχμηρά κοπτικά άκρα που συντηρούνται σωστά έχουν λιγότερες πιθανότητες να μπλοκάρουν και ελέγχονται ευκολότερα.
- **Να χρησιμοποιείτε τα ηλεκτρικά εργαλεία, τα εξάρτηματα και τα άκρα των εργαλείων κλπ., σύμφωνα με τις παρούσες οδηγίες, λαμβάνοντας υπόψη σας τις συνθήκες εργασίας και την εργασία που θέλετε να εκτελέσετε.** Η χρήση του ηλεκτρικού εργαλείου για εργασίες πέρα από τις προβλεπόμενες μπορεί να δημιουργήσει επικίνδυνες καταστάσεις.

Χρήση και συντήρηση του εργαλείου μπαταρίας

- **Επαναφορτίζετε μόνο με το φορτιστή που καθορίζεται από τον κατασκευαστή.** Ένας φορτιστής που είναι κατάλληλος για έναν τύπο μπαταρίας μπορεί να προκαλέσει κίνδυνο πυρκαγιάς εάν χρησιμοποιηθεί με άλλη μπαταρία.

- **Χρησιμοποιείτε τα ηλεκτρικά εργαλεία αποκλειστικά και μόνο με τις καθοριζόμενες μπαταρίες.** Η χρήση άλλων μπαταριών μπορεί να προκαλέσει κίνδυνο τραυματισμού και πυρκαγιάς.
- **Όταν η μπαταρία δε χρησιμοποιείται, μην την πλησιάζετε σε μεταλλικά αντικείμενα όπως συνδετήρες, κέρματα, κλειδιά, καρφιά, βίδες ή άλλα μικρά μεταλλικά αντικείμενα που μπορούν να βραχυκυκλώσουν τους δύο ακροδέκτες της.** Εάν βραχυκυκλώσουν οι πόλοι της μπαταρίας μπορεί να προκληθούν εγκαύματα ή πυρκαγιά.
- **Υπό ακραίες συνθήκες, είναι δυνατή η διαρροή υγρού από την μπαταρία, με το οποίο πρέπει να αποφύγετε την επαφή. Σε περίπτωση κατά λάθος επαφής, ξεπλύνετε με νερό.** Εάν το υγρό έρθει σε επαφή με τα μάτια, ζητήστε και ιατρική βοήθεια. Το υγρό που διαρρέει από την μπαταρία μπορεί να προκαλέσει ερεθισμούς ή εγκαύματα.
- Η ασφαλής απόσταση ενός προς κοπή κλαδιού από άτομα, κτίρια ή άλλα αντικείμενα ισούται τουλάχιστον με 2 1/2 φορές το μήκος του κλαδιού. Οποιοδήποτε άτομο, κτίριο ή αντικείμενο που βρίσκεται σε μικρότερη απόσταση κινδυνεύει να πληγεί από το κλαδί που θα πέσει.
- Σχεδιάστε μια ασφαλή διαφυγή από το δέντρο ή τα κλαδιά του καθώς πέφτουν. Βεβαιωθείτε ότι στη διαδρομή απομάκρυνσης δε θα υπάρχουν εμπόδια που θα καθιστούσαν αδύνατη ή θα δυσκόλευαν την κίνηση. Έχετε υπόψη ότι το υγρό γρασιδι και ο φλοιός δέντρου που έχει κοπεί πρόσφατα είναι ολισθηρά.
- Βεβαιωθείτε πως υπάρχει κάποιος κοντά (αλλά σε απόσταση ασφαλείας) για την περίπτωση ατυχήματος.
- Μη χρησιμοποιείτε το εργαλείο ενώ βρίσκεστε επάνω σε δέντρο, σε σκάλα ή σε οποιαδήποτε άλλη ασταθή επιφάνεια.
- Φροντίστε πάντοτε να έχετε την κατάλληλη στάση και να διατηρείτε την ισορροπία σας.
- Κρατάτε σταθερά το εργαλείο και με τα δύο χέρια, όταν το μοτέρ βρίσκεται σε λειτουργία.
- Μην επιτρέψετε να έλθει σε επαφή η κινούμενη αλυσίδα με οποιοδήποτε αντικείμενο στο άκρο της μπάρας οδηγού.
- Ξεκινήστε την κοπή κάποιου αντικειμένου μόνο εφόσον η αλυσίδα κινείται με τη μέγιστη ταχύτητα.
- Μην προσπαθήσετε να το εισάγετε σε παλιότερη κοπή. Κάνετε πάντα μια νέα κοπή.
- Προσέχετε για τυχόν κλαδιά που μετακινούνται ή για άλλες δυνάμεις που θα μπορούσαν να κλείσουν μια τομή και να μαγκώσουν την αλυσίδα ή να πέσουν σε αυτήν.
- Μην επιχειρείτε να κόψετε κάποιο κλαδί η διάμετρος του οποίου υπερβαίνει το μήκος κοπής του εργαλείου.
- Αφαιρείτε πάντα την μπαταρία από το εργαλείο και τοποθετείτε το κάλυμμα της αλυσίδας επάνω στην αλυσίδα κατά τη μεταφορά ή αποθήκευση του εργαλείου.
- Διατηρείτε την αλυσίδα του πριονιού αιχμηρή και στη σωστή τάνυση. Να ελέγχετε τακτικά την τάση.
- Πριν από την εκτέλεση εργασιών ρύθμισης, σέρβις ή συντήρησης, απενεργοποιείτε το εργαλείο, αφήνετε την αλυσίδα να σταματήσει εντελώς και αφαιρείτε την μπαταρία από το εργαλείο.
- Χρησιμοποιείτε μόνο γνήσια ανταλλακτικά και αξεσουάρ.

Σέρβις

- **Το σέρβις του ηλεκτρικού σας εργαλείου πρέπει να αναλαμβάνει έμπειρος τεχνικός που θα χρησιμοποιεί μόνο γνήσια ανταλλακτικά.** Έτσι εξασφαλίζεται η διατήρηση της ασφάλειας του ηλεκτρικού εργαλείου.

Συμπληρωματικές οδηγίες ασφαλείας για τα κλαδευτήρια με μακριά λαβή

Η ενδεχόμενη χρήση περιγράφεται στο παρόν χειριδίο οδηγιών. Μη χρησιμοποιείτε το εργαλείο για εργασίες για τις οποίες δεν προορίζεται, για παράδειγμα μην το χρησιμοποιείτε για την κοπή δέντρων. Η χρήση οποιοδήποτε αξεσουάρ ή προσαρτήματος ή η εκτέλεση οποιασδήποτε εργασίας με αυτό το εργαλείο η οποία δε συστήνεται στο παρόν χειριδίο οδηγιών, ενδέχεται να εγκυμονεί κίνδυνο τραυματισμού.

- Φοράτε εφαρμοστά και προστατευτικά ρούχα, όπως κράνος ασφαλείας με προστατευτικά γυαλιά, ωτασπίδες, αντιολισθητικά παπούτσια ασφαλείας, προστατευτική φόρμα εργασίας και ανθεκτικά δερμάτινα γάντια.
- Να στέκεστε πάντα μακριά από την κατεύθυνση πτώσης των κλαδιών.

- Μεταφέρετε το κλαδευτήρι με μακριά λαβή κρατώντας το από τη λαβή, με τη λεπίδα κοπής σταματημένη. Κατά τη μεταφορά ή αποθήκευση του κλαδευτηριού με μακριά λαβή να τοποθετείτε πάντα το κάλυμμα του μηχανισμού κοπής και να το αποσυναρμολογείτε στα μέρη που το αποτελούν. Ο σωστός χειρισμός του κλαδευτηριού με μακριά λαβή θα περιορίσει το ενδεχόμενο δικού σας τραυματισμού ή άλλων.

Αναπόφευκτοι κίνδυνοι

Μπορεί να προκληθούν επιπρόσθετοι αναπόφευκτοι κίνδυνοι όταν χρησιμοποιείτε το εργαλείο οι οποίοι μπορεί να μη συμπεριλαμβάνονται στις προειδοποιήσεις ασφαλείας που εσωκλείονται. Αυτοί οι κίνδυνοι μπορεί να προκληθούν από κακή χρήση, παρατεταμένη χρήση κτλ. Ακόμα και με την τήρηση των σχετικών κανονισμών ασφαλείας και τη χρήση μέσων προστασίας, ορισμένοι κίνδυνοι δεν είναι δυνατό να εξαλειφθούν. Αυτοί περιλαμβάνουν:

- Τραυματισμούς από το άγγιγμα των περιστρεφόμενων/κινούμενων εξαρτημάτων.
- Τραυματισμούς από αλλαγή οποιωνδήποτε εξαρτημάτων, λεπίδων ή αξεσουάρ.
- Τραυματισμούς από παρατεταμένη χρήση του εργαλείου. Όταν χρησιμοποιείτε οποιοδήποτε εργαλείο για παρατεταμένες χρονικές περιόδους βεβαιωθείτε ότι κάνετε τακτικά διαλείμματα.
- Προβλήματα ακοής.
- Κίνδυνοι στην υγεία που προκαλούνται από την εισπνοή σκόνης όταν χρησιμοποιείτε το εργαλείο (παράδειγμα:- όταν επεξεργάζεστε ξύλο, ειδικά δρυς, οξιά και MDF.)

Δόνηση

Η δηλωμένη τιμή εκπομπής δόνησης που αναφέρεται στα τεχνικά χαρακτηριστικά και τη δήλωση συμμόρφωσης έχει μετρηθεί σύμφωνα με μια τυποποιημένη μέθοδο δοκιμής που παρέχεται από το πρότυπο EN 60745 και μπορεί να χρησιμοποιηθεί για τη σύγκριση ενός εργαλείου με ένα άλλο. Η δηλωμένη τιμή εκπομπής δόνησης μπορεί επίσης να χρησιμοποιηθεί σε έναν προκαταρκτικό προσδιορισμό της έκθεσης.

Προειδοποίηση! Η τιμή εκπομπής δόνησης κατά την πραγματική χρήση του ηλεκτρικού εργαλείου μπορεί να διαφέρει από τη δηλωμένη τιμή, ανάλογα με το τρόπο που χρησιμοποιείται το εργαλείο. Η στάθμη δόνησης μπορεί να αυξηθεί πάνω από τη στάθμη που έχει δηλωθεί.

Κατά τον προσδιορισμό της έκθεσης σε δόνηση για τον καθορισμό των απαιτούμενων μέτρων ασφαλείας σύμφωνα με την οδηγία 2002/44/ΕΚ για την προστασία προσώπων που χρησιμοποιούν συχνά ηλεκτρικά εργαλεία στην εργασία τους, μια προσεγγιστική εκτίμηση της έκθεσης σε δόνηση πρέπει να λαμβάνει υπόψη τις πραγματικές συνθήκες χρήσης και τον τρόπο χρήσης του εργαλείου, συμπεριλαμβανομένων και όλων των επιμέρους τμημάτων του κύκλου εργασίας, όπως, πόσες φορές τέθηκε το εργαλείο εκτός λειτουργίας, τότε είναι σε λειτουργία χωρίς φορτίο και επιπρόσθετα ο χρόνος πίεσης της σκανδάλης.

Κλάδεμα

Πριν αποπειραθείτε να κλαδέψετε ένα δέντρο, βεβαιωθείτε ότι δεν υπάρχουν νόμοι ή κανονισμοί που απαγορεύουν ή περιορίζουν το κόψιμο των δέντρων.

- Καθορίστε την κατεύθυνση προς την οποία μπορεί να πέσει ένα κλαδί. Λάβετε υπόψη όλους τους παράγοντες που ενδέχεται να επηρεάσουν την κατεύθυνση της πτώσης, συμπεριλαμβανομένων:
 - του μήκους και του βάρους του κλαδιού που θα κοπεί
 - της επιθυμητής κατεύθυνσης της πτώσης
 - οποιοδήποτε δομικού χαρακτηριστικού του κλαδιού με μεγάλο βάρος ή τυχόν σημείου σήψης
 - την παρουσία γύρω δέντρων και εμποδίων, συμπεριλαμβανομένων εναέριων καλωδίων
 - της εμπλοκής με άλλα κλαδιά
 - της ταχύτητας και της διεύθυνσης του ανέμου.
- Εξετάστε την πρόσβαση στο κλαδί.

Τα κλαδιά του δέντρου μπορεί να αιωρηθούν προς το κορμό του δέντρου. Εκτός από το χρήστη, κάθε παρευρισκόμενος, κτίριο ή αντικείμενο κάτω από το κλαδί κινδυνεύει να πληγεί από το κλαδί που θα πέσει.

Ασφάλεια τρίτων

- Αυτό το εργαλείο δεν προορίζεται για χρήση από άτομα (στα οποία περιλαμβάνονται και τα παιδιά) με μειωμένες φυσικές, αντιληπτικές ή διανοητικές ικανότητες ή άτομα χωρίς εμπειρία και γνώσεις, παρά μόνο εφόσον επιτηρούνται ή τους έχουν δοθεί οδηγίες σχετικά με τη χρήση της μηχανής από άτομο υπεύθυνο για την ασφάλειά τους.
- Τα παιδιά πρέπει να επιτηρούνται για να διασφαλίζεται ότι δεν παίζουν με το εργαλείο.

Προειδοποιητικά σύμβολα

Το εργαλείο φέρει τα παρακάτω προειδοποιητικά σύμβολα:



Προειδοποίηση! Για να μειωθεί ο κίνδυνος τραυματισμού, ο χρήστης πρέπει να διαβάσει το εγχειρίδιο οδηγιών.



Μη χρησιμοποιείτε το εργαλείο σε υγρές συνθήκες και μην την εκθέτετε στη βροχή.



Να φοράτε πάντα προστατευτικό εξοπλισμό για το κεφάλι και τα μάτια.



Να φοράτε πάντα αντιολισθητικά υποδήματα ασφαλείας.



Προσέχετε για τυχόν αντικείμενα που πέφτουν. Μην επιτρέπετε να πλησιάσουν άλλα άτομα.



Κίνδυνος ηλεκτροπληξίας. Κρατηθείτε τουλάχιστον 10 m μακριά από υπερκείμενα καλώδια.



Για να εξασφαλίσετε τη συνεχή ασφαλή λειτουργία, ελέγχετε την τάση της αλυσίδας όπως περιγράφεται σε αυτό το εγχειρίδιο μετά από κάθε 10 λεπτά χρήσης, και ρυθμίζετε τη ξανά σε διάκενο 3 mm όπως απαιτείται. Λαδώνετε την αλυσίδα μετά από κάθε 10 λεπτά χρήσης



Η κατεύθυνση περιστροφής της αλυσίδας.



Προειδοποίηση! Μην αγγίζετε την αλυσίδα στο σημείο εξαγωγής των απορριμμάτων κοπής.

Συμπληρωματικές οδηγίες ασφαλείας για τις μπαταρίες και τους φορτιστές

Μπαταρίες

- Μην επιχειρήσετε ποτέ να ανοίξετε τις μπαταρίες για οποιοδήποτε λόγο.
- Μην εκθέτετε την μπαταρία σε νερό.
- Μην εκθέτετε την μπαταρία σε θερμότητα.
- Μη φυλάσσετε τις μπαταρίες σε μέρη όπου η θερμοκρασία μπορεί να υπερβεί τους 40 °C.

- Η φόρτιση πρέπει να γίνεται μόνο σε θερμοκρασίες περιβάλλοντος μεταξύ 10 °C και 40 °C.
- Η φόρτιση πρέπει να γίνεται μόνο με το φορτιστή που παρέχεται μαζί με τη συσκευή/εργαλείο. Η χρήση άλλου φορτιστή μπορεί να προκαλέσει ηλεκτροπληξία ή υπερθέρμανση της μπαταρίας.
- Όταν απορρίπτετε τις μπαταρίες, ακολουθήστε τις οδηγίες που δίνονται στην ενότητα “Προστασία του περιβάλλοντος”.
- Μην καταστρέφετε/παράμορφώνετε την μπαταρία είτε τρυπώντας ή χτυπώντας την, διότι μπορεί να προκληθεί κίνδυνος τραυματισμού ή πυρκαγιάς. Μη φορτίζετε τις κατεστραμμένες μπαταρίες.
- Κάτω από ακραίες συνθήκες, μπορεί να επέλθει διαρροή υγρών μπαταρίας. Αν παρατηρήσετε υγρό πάνω στις μπαταρίες, σκουπίστε το προσεκτικά με ένα πανί. Αποφύγετε την επαφή με το δέρμα.
- Στην περίπτωση επαφής με το δέρμα ή τα μάτια, ακολουθήστε τις παρακάτω οδηγίες.

Προειδοποίηση! Το υγρό της μπαταρίας μπορεί να προκαλέσει τραυματισμό ή υλικές ζημιές. Στην περίπτωση επαφής με το δέρμα, ξεπλύνετε αμέσως με άφθονο νερό. Αν παρουσιαστεί κοκκίνισμα του δέρματος, πόνος ή ερεθισμός, ζητήστε ιατρική βοήθεια. Στην περίπτωση επαφής με τα μάτια, ξεπλύνετε αμέσως με άφθονο καθαρό νερό και ζητήστε ιατρική βοήθεια.

Φορτιστές

Ο φορτιστής σας είναι σχεδιασμένος για μια συγκεκριμένη ηλεκτρική τάση. Ελέγχετε πάντα αν η τάση τροφοδοσίας αντιστοιχεί σε αυτήν που αναγράφεται στην πινακίδα χαρακτηριστικών.

Προειδοποίηση! Ποτέ μην επιχειρείτε να αντικαταστήσετε τη μονάδα φορτιστή με έναν κανονικό ρευματολήπτη.

- Ο φορτιστής Black & Decker πρέπει να χρησιμοποιείται αποκλειστικά και μόνο για τη φόρτιση της μπαταρίας της συσκευής/του εργαλείου που συνοδεύει. Αν χρησιμοποιηθεί για άλλες μπαταρίες, αυτές μπορεί να εκραγούν, προκαλώντας τραυματισμό και ζημιές.
- Μην επιχειρείτε ποτέ να φορτίσετε μη επαναφορτιζόμενες μπαταρίες.
- Αν το καλώδιο ρεύματος έχει υποστεί φθορά, η αντικατάστασή του πρέπει να γίνει από τον κατασκευαστή ή από ένα εξουσιοδοτημένο κέντρο της Black & Decker, ώστε να μην αποτελέσει κίνδυνο.

- Μην εκθέτετε το φορτιστή σε νερό.
- Μην ανοίγετε το φορτιστή.
- Μην επεμβαίνετε στο φορτιστή.
- Κατά τη φόρτιση, η μηχανή/το εργαλείο/η μπαταρία πρέπει να βρίσκεται σε καλά αεριζόμενο χώρο.

Ετικέτες επάνω στο φορτιστή

Ο φορτιστής φέρει τα παρακάτω σύμβολα:



Ο φορτιστής προορίζεται για χρήση σε εσωτερικούς χώρους μόνο



Διαβάστε αυτό το εγχειρίδιο οδηγιών πριν από τη χρήση.



Ο φορτιστής απενεργοποιείται αυτόματα όταν η θερμοκρασία περιβάλλοντος ανέβει υπερβολικά. Μόλις η θερμοκρασία περιβάλλοντος μειωθεί στα κανονικά επίπεδα, ο φορτιστής ξαναρχίζει να λειτουργεί.



Η φόρτιση πρέπει να γίνεται μόνο σε θερμοκρασίες περιβάλλοντος μεταξύ 10 °C και 40 °C.

Ασφαλής χρήση του ηλεκτρικού ρεύματος

Ο φορτιστής σας φέρει διπλή μόνωση, επομένως δεν απαιτείται σύρμα γείωσης. Ελέγχετε πάντα αν η τάση τροφοδοσίας αντιστοιχεί σε αυτήν που αναγράφεται στην πινακίδα χαρακτηριστικών. Ποτέ μην επιχειρείτε να αντικαταστήσετε τη μονάδα φορτιστή με έναν κανονικό ρευματολήπτη.



Επισκόπηση βασικών εξαρτημάτων

1. Διακόπτης on/off
2. Διακόπτης απασφάλισης
3. Κύρια χειρολαβή
4. Κεφαλή κοπής
5. Κάλυμμα οδοντωτού τροχού
6. Μπάρα οδηγού
7. Αλυσίδα
8. Θήκη αλυσίδας
9. Φιάλη λίπανσης
10. Σωλήνα προέκτασης
11. Μπαταρία

Εικ. Α

12. Φορτιστής

Συναρμολόγηση

Προειδοποίηση! Πριν από τη συναρμολόγηση, αφαιρέστε την μπαταρία από το εργαλείο.

Τοποθέτηση και αφαίρεση της μπαταρίας (εικ. Β)

- Για να τοποθετήσετε την μπαταρία (11), ευθυγραμμίστε την με την υποδοχή στο εργαλείο. Ολισθήστε την μπαταρία μέσα στην υποδοχή και σπρώξτε την μέχρι να ασφαλίσει στη θέση της.
- Για να αφαιρέσετε την μπαταρία, πατήστε το κουμπί απασφάλισης (13) και ταυτόχρονα τραβήξτε την μπαταρία έξω από την υποδοχή.

Προειδοποίηση! Για να αποτρέψετε τη μη κατά λάθος λειτουργία βεβαιωθείτε ότι έχετε αφαιρέσει την μπαταρία και τοποθετήσετε τη θήκη της αλυσίδας επάνω στην αλυσίδα προτού εκτελέσετε τους ακόλουθους χειρισμούς. Σε αντίθετη περίπτωση υπάρχει κίνδυνος πρόκλησης σοβαρού τραυματισμού.

Τοποθέτηση της κεφαλής κοπής (εικ. C)

Η κεφαλή κοπής μπορεί να τοποθετηθεί απευθείας στη λαβή προκειμένου να επιτευχθεί η τυπική εμβέλεια.

- Ευθυγραμμίστε την εγκοπή στο εξωτερικό του άκρου σύνδεσης της λαβής (3) με το γλωσσίδι στο εσωτερικό του άκρου σύνδεσης της κεφαλής κοπής (4). Πιέστε την κεφαλή κοπής (4) πάνω στη λαβή (3).
- Σπρώξτε κάτω το κολάρο (14) και περιστρέψτε το δεξιόστροφα μέχρι να σφίξει απόλυτα.

Προειδοποίηση! Περιοδικά ελέγχετε τις συνδέσεις για να εξασφαλίζετε ότι είναι καλά σφιγμένες.

Επέκταση της κεφαλής κοπής (εικ. D)

Η μέγιστη εμβέλεια μπορεί να επιτευχθεί τοποθετώντας το σωλήνα προέκτασης (10) μεταξύ της κεφαλής κοπής (4) και της λαβής (3).

- Ευθυγραμμίστε την εγκοπή στο εξωτερικό του άκρου σύνδεσης της λαβής (3) με το γλωσσίδι στο εσωτερικό του άκρου σύνδεσης του σωλήνα προέκτασης (10).
- Πιέστε το σωλήνα προέκτασης (10) πάνω στη λαβή (3).
- Σπρώξτε κάτω το κολάρο (15) και περιστρέψτε το δεξιόστροφα μέχρι να σφίξει απόλυτα.
- Ευθυγραμμίστε την εγκοπή στο εξωτερικό του άκρου σύνδεσης του σωλήνα προέκτασης (10) με το γλωσσίδι στο εσωτερικό του άκρου σύνδεσης της κεφαλής κοπής (4).

- Πιέστε την κεφαλή κοπής (4) πάνω στο σωλήνα προέκτασης (10).
- Σπρώξτε κάτω το κολάρο (14) και περιστρέψτε το δεξιόστροφα μέχρι να σφίξει απόλυτα.

Προειδοποίηση! Περιοδικά ελέγχετε τις συνδέσεις για να εξασφαλίσετε ότι είναι καλά σφιγμένες.

Αφαίρεση της κεφαλή κοπής (εικ. C & D)

Εάν είναι τοποθετημένος ο σωλήνας προέκτασης (10), πρέπει πρώτα να αφαιρεθεί η κεφαλή κοπής.

- Για να αφαιρέσετε την κεφαλή κοπής (4), ακουμπήστε τη λαβή (3) στο έδαφος, χαλαρώστε το κολάρο (14) και αφαιρέστε την κεφαλή κοπής.

Χρήση

Προειδοποίηση! Αφήστε το εργαλείο να λειτουργήσει με το δικό του ρυθμό. Μην το υπερφορτώνετε.

Φόρτιση της μπαταρίας (εικ. A)

Η μπαταρία πρέπει να φορτίζεται πριν από την πρώτη χρήση και όποτε αδυνατεί να παρέχει επαρκή ισχύ σε εργασίες που παλιά ήταν εύκολη η εκτέλεσή τους. Κατά την πρώτη φόρτιση της μπαταρίας ή μετά από παρατεταμένη αποθήκευση, αυτή δέχεται μόνο το 80% της πλήρους φόρτισης. Μετά από πολλούς κύκλους φόρτισης και εκφόρτισης, η μπαταρία αποκτά πλήρη χωρητικότητα. Η μπαταρία μπορεί να θερμαίνεται κατά τη φόρτιση. Κάτι τέτοιο είναι φυσιολογικό και δεν υποδηλώνει πρόβλημα.

Προειδοποίηση! Μην φορτίζετε την μπαταρία σε θερμοκρασίες περιβάλλοντος κάτω από 10°C ή πάνω από 40°C. Συνιστώμενη θερμοκρασία φόρτισης: περίπου 24 °C.

- Για να φορτίσετε την μπαταρία (11), αφαιρέστε την από το εργαλείο και τοποθετήστε την στο φορτιστή (12). Η μπαταρία μπορεί να τοποθετηθεί στο φορτιστή μόνο με έναν τρόπο. Μην ασκείτε δύναμη. Βεβαιωθείτε ότι η μπαταρία είναι τοποθετημένη σωστά στο φορτιστή.
- Βάλτε το φορτιστή στην πρίζα.

Φορτιστής 8 ωρών

Η μπαταρία θα φορτιστεί πλήρως σε 8 ώρες περίπου. Μπορεί να αφαιρεθεί οποιαδήποτε στιγμή από το φορτιστή ή να μείνει συνδεδεμένη στο φορτιστή απεριόριστα.

Ενεργοποίηση και απενεργοποίηση (εικ. E)

Για την ασφάλειά σας, αυτό το εργαλείο είναι εξοπλισμένο με διπλό σύστημα ενεργοποίησης. Αυτό το σύστημα εμποδίζει την ακούσια ενεργοποίηση του εργαλείου.

Ενεργοποίηση

- Πιέστε το κουμπί απασφάλισης (2) προς τα πίσω με τον αντίχειρά σας και ταυτόχρονα πιέστε το διακόπτη on/off (1).
- Απελευθερώστε το κουμπί απασφάλισης (2).

Απενεργοποίηση

- Απελευθερώστε το διακόπτη on/off (1).

Προειδοποίηση! Μην επιχειρήσετε ποτέ να ασφαλίσετε ένα διακόπτη στη θέση ενεργοποίησης (ON).

Κλάδεμα (εικ. F)

- Βεβαιωθείτε ότι το εργαλείο λειτουργεί με τη μέγιστη ταχύτητα πριν πραγματοποιήσετε κοπή.
- Κρατήστε σταθερά το εργαλείο, για να αποφεύγετε πιθανή αναπήδηση ή μετατόπισή του στο πλάι.
- Κατευθύνετε το εργαλείο μέσα από το κλαδί ασκώντας μικρή πίεση. Κατά την κοπή μεγάλων κλαδιών, όπου μια μερική κοπή μπορεί να σκίσει και να τραυματίσει το δέντρο, προχωρήστε ως εξής:
 - Πρώτα κόψτε 15 cm από τον κορμό του δέντρου στο κάτω μέρος του κλαδιού. Χρησιμοποιήστε το πάνω μέρος της μπάρας οδηγού (7) για αυτό το κόψιμο.
 - Κόψτε κατά το ένα τρίτο της διαμέτρου του κλαδιού. Στη συνέχεια, κόψτε προς τα κάτω, ξεκινώντας από πάνω.

Καθαρισμός συντήρηση και αποθήκευση

Αυτή η συσκευή/εργαλείο με καλώδιο/χωρίς καλώδιο της Black & Decker έχει σχεδιαστεί έτσι ώστε να λειτουργεί για μεγάλο χρονικό διάστημα με την ελάχιστη δυνατή συντήρηση. Η αδιάλειπτη και ικανοποιητική λειτουργία του εργαλείου εξαρτάται από τη φροντίδα και τον τακτικό καθαρισμό του.

Προειδοποίηση! Πριν πραγματοποιήσετε οποιαδήποτε συντήρηση σε ηλεκτρικά εργαλεία με καλώδιο/χωρίς καλώδιο:

- Απενεργοποιήστε και αποσυνδέστε τη συσκευή/εργαλείο από την πρίζα

- Ή απενεργοποιήστε και αφαιρέστε την μπαταρία από τη συσκευή/εργαλείο εάν η συσκευή/εργαλείο διαθέτει ξεχωριστή μπαταρία
- Ή χρησιμοποιήστε την μπαταρία μέχρι να αδειάσει εντελώς και στη συνέχεια απενεργοποιήστε
- Πριν καθαρίσετε το φορτιστή, αποσυνδέστε τον από την πρίζα. Ο φορτιστής σας δεν απαιτεί κάποια συντήρηση εκτός του τακτικού καθαρισμού.

Να καθαρίζετε τακτικά τις εγκοπές εξαιρισμού της συσκευής/εργαλείου/φορτιστή με μια μαλακή βούρτσα ή με ένα στεγνό πανί.

Να καθαρίζετε τακτικά το περίβλημα του μοτέρ με ένα υγρό πανί. Μη χρησιμοποιείτε λειαντικά καθαριστικά ή υγρά καθαρισμού που περιέχουν διαλυτικά.

Να ανοίγετε τακτικά το τσοκ και να το χτυπάτε ελαφρά για να αφαιρείται η σκόνη από το εσωτερικό του (εφόσον εφαρμόζεται).

Μετά τη χρήση και πριν την αποθήκευση

- Καθαρίζετε σε τακτική βάση τις εγκοπές εξαιρισμού με ένα καθαρό, στεγνό πινέλο βαφής.
- Για τον καθαρισμό του εργαλείου, χρησιμοποιήστε αποκλειστικά ήπιο σαπούνι και υγρό πανί. Μην επιτρέψετε ποτέ να εισέλθει υγρό στο εσωτερικό του εργαλείου και μη βυθίσετε ποτέ οποιοδήποτε εξάρτημα του εργαλείου σε υγρό.
- Αφαιρέστε τα κατάνοιπα χρησιμοποιώντας μια σκληρή βούρτσα.
- Λιπάνετε την αλυσίδα με λάδι.

Τοποθέτηση και αφαίρεση της αλυσίδας πριονιού (εικ. G & H)

Προειδοποίηση! Φοράτε πάντοτε

προστατευτικά γάντια κατά την τοποθέτηση ή την αφαίρεση της αλυσίδας του πριονιού. Η αλυσίδα πριονιού είναι κοφτερή και μπορεί να σας τραυματίσει χωρίς να βρίσκεται σε λειτουργία.

- Τοποθετήστε το εργαλείο σε μια σταθερή επιφάνεια.
- Ξεσφίξτε τις βίδες (16) χρησιμοποιώντας το παρεχόμενο κλειδί Allen. Αφαιρέστε τις βίδες.
- Αφαιρέστε το κάλυμμα οδοντωτού τροχού (5) και το σφιγκτήρα μπάρας (17).
- Στρέψτε αριστερόστροφα τη βίδα (18) ώστε να κάνετε δυνατή την υποχώρηση της μπάρας οδηγού (6) και να ελαττώσετε την τάνυση της αλυσίδας πριονιού (7).

- Αφαιρέστε την παλαιά αλυσίδα πριονιού από τον οδοντωτό τροχό (19) και την μπάρα οδηγό (6).
- Τοποθετήστε τη νέα αλυσίδα στην εσοχή της μπάρας οδηγού και γύρω από τον οδοντωτό τροχό. Βεβαιωθείτε ότι τα δόντια βρίσκονται προς τη σωστή κατεύθυνση αντιστοιχώντας το βέλος επάνω στην αλυσίδα πριονιού με το βέλος επάνω στο περίβλημα.
- Βεβαιωθείτε ότι η εσοχή (20) στην μπάρα οδηγό βρίσκεται επάνω από τις ακίδες οριοθέτησης (21) και ότι η οπή (22) κάτω από την εσοχή βρίσκεται επάνω από την ακίδα ρύθμισης (23).
- Επανατοποθετήστε το κάλυμμα οδοντωτού τροχού (5) και το σφιγκτήρα μπάρας (17) και τις βίδες (16).
- Σφίξτε τις βίδες (16) χρησιμοποιώντας το παρεχόμενο κλειδί Allen.
- Ρυθμίστε την τάνυση της αλυσίδας όπως περιγράφεται παρακάτω.

Για να εξασφαλίσετε συνεχή και ασφαλή λειτουργία, η αλυσίδα και η μπάρα οδηγού πρέπει να αντικαθίστανται μόνο με γνήσια εξαρτήματα Black & Decker. Αριθμός ανταλλακτικού αλυσίδας A6158 αριθμός ανταλλακτικού μπάρας οδηγού 623381-00.

Έλεγχος και ρύθμιση της τάνυσης της αλυσίδας (εικ. G)

- Ελέγχετε την τάνυση της αλυσίδας. Η τάνυση έχει ρυθμιστεί σωστά όταν η αλυσίδα πριονιού (7) επανέρχεται αμέσως στη θέση της, αφού τραβηχτεί σε απόσταση 3 mm από τη ράβδο αλυσίδας με μικρή δύναμη με το μεσαίο δάχτυλο και τον αντίχειρα. Δεν πρέπει να υπάρχει “κοιλιά” μεταξύ της ράβδου οδήγησης αλυσίδας (6) και της αλυσίδας πριονιού (7) στην κάτω πλευρά.

Για να ρυθμίσετε την τάνυση:

- Χαλαρώστε τις βίδες (16).
- Περιστρέψτε τη βίδα (18) δεξιόστροφα.

Προειδοποίηση! Μην τεντώσετε υπερβολικά την αλυσίδα, καθώς αυτό θα προκαλέσει υπερβολική φθορά και θα μειώσει τη διάρκεια ζωής της ράβδου και της αλυσίδας.

- Μόλις πετύχετε τη σωστή τάνυση της αλυσίδας, σφίξτε τις βίδες (18).

Προειδοποίηση! Όταν η αλυσίδα πριονιού είναι καινούρια, ελέγχετε συχνά την τάνυση κατά τη διάρκεια των δύο πρώτων ωρών χρήσης, καθώς μια νέα αλυσίδα πριονιού επιμηκύνεται ελαφρά.

Λάδωμα της αλυσίδας

Η αλυσίδα πριονιού πρέπει να λαδώνεται πριν από κάθε χρήση και μετά τον καθαρισμό χρησιμοποιώντας μόνο το σωστό τύπο λαδιού (αρ. κατ. Α6027).

- Λαδώστε ολόκληρη την αλυσίδα πριονιού (7) ομοιόμορφα με το λαδωτήρι (9).

Αποθήκευση

Εάν το εργαλείο δεν πρόκειται να χρησιμοποιηθεί για αρκετούς μήνες, είναι προτιμότερο να αφήσετε την μπαταρία συνδεδεμένη με το φορτιστή.

Διαφορετικά, κάντε τα ακόλουθα:

- Φορτίστε πλήρως την μπαταρία.
- Αφαιρέστε την μπαταρία από το εργαλείο.
- Αποθηκεύστε το εργαλείο και την μπαταρία σε ασφαλές και στεγνό μέρος.
- Η θερμοκρασία αποθήκευσης πρέπει πάντοτε να παραμένει μεταξύ +10 °C έως +40 °C. Τοποθετήστε την μπαταρία σε μια επίπεδη επιφάνεια.
- Πριν από τη χρήση του εργαλείου μετά από παρατεταμένη αποθήκευση, φορτίστε πλήρως την μπαταρία ξανά.

Προστασία του περιβάλλοντος



Ξεχωριστή περισυλλογή. Αυτό το προϊόν δεν πρέπει να απορρίπτεται μαζί με τα κοινά οικιακά απορρίμματα.

Εάν κάποια μέρα διαπιστώσετε ότι το προϊόν σας Black & Decker χρειάζεται αντικατάσταση ή ότι δεν το χρειάζεστε άλλο, μην το απορρίψετε μαζί με τα κοινά οικιακά απορρίμματα αλλά διαθέστε αυτό το προϊόν για ξεχωριστή περισυλλογή.

Η ξεχωριστή περισυλλογή των μεταχειρισμένων προϊόντων και των υλικών συσκευασίας επιτρέπει την ανακύκλωση και επαναχρησιμοποίηση των υλικών. Με την επαναχρησιμοποίηση των ανακυκλωμένων υλικών αποτρέπεται η μόλυνση του περιβάλλοντος και μειώνεται η ζήτηση πρώτων υλών.



Οι κανονισμοί που ισχύουν στην περιοχή σας ενδέχεται να προβλέπουν την ξεχωριστή περισυλλογή των ηλεκτρικών συσκευών που προέρχονται από νοικοκυριά σε δημοτικές εγκαταστάσεις απορριμμάτων ή από τον έμπορο όταν αγοράζετε ένα καινούργιο προϊόν.

Η Black & Decker δίνει τη δυνατότητα ανακύκλωσης των προϊόντων της που έχουν συμπληρώσει τη διάρκεια ζωής τους. Για να χρησιμοποιήσετε αυτήν την υπηρεσία, επιστρέψτε το προϊόν σας σε οποιοδήποτε εξουσιοδοτημένο κέντρο επισκευών, όπου θα το παραλάβουν εκ μέρους μας.

Ενημερωθείτε για το πλησιέστερο εξουσιοδοτημένο κέντρο επισκευών της περιοχής σας, επικοινωνώντας με τα γραφεία της Black & Decker στη διεύθυνση που αναγράφεται στο εγχειρίδιο. Επίσης, μια λίστα με τα εξουσιοδοτημένα κέντρα επισκευών της Black & Decker και πλήρεις λεπτομέρειες για τις υπηρεσίες που παρέχονται μετά την πώληση καθώς και στοιχεία επικοινωνίας υπάρχουν στο Διαδίκτυο, στη διεύθυνση:

www.2helpU.com

Μπαταρίες



Στο τέλος της ωφέλιμης ζωής τους, απορρίψτε τις μπαταρίες με την πρέπουσα φροντίδα για το περιβάλλον μας

- Μη βραχυκυκλώνετε τους ακροδέκτες της μπαταρίας.
- Μην απορρίπτετε την(τις) μπαταρία(ες) στη φωτιά, επειδή μπορεί να προκληθεί κίνδυνος προσωπικού τραυματισμού ή έκρηξη.
- Χρησιμοποιήστε τη συσκευή μέχρι να αδειάσει εντελώς η μπαταρία και στη συνέχεια αφαιρέστε τη από τη συσκευή.
- Οι μπαταρίες είναι ανακυκλώσιμες. Τοποθετήστε την(τις) μπαταρία(ες) σε κατάλληλη συσκευασία για να εξασφαλίσετε ότι οι ακροδέκτες δεν μπορούν να βραχυκυκλώσουν. Παραδώστε τις σε οποιοδήποτε εξουσιοδοτημένο αντιπρόσωπο επισκευών ή στον πλησιέστερο σταθμό ανακύκλωσης της περιοχής σας.

Τεχνικά χαρακτηριστικά

		GPC1800 (H2)	GPC1800P (H2)
Τάση	V _{DC}	18	
Ταχύτητα αλυσίδας χωρίς φορτίο	m/min	114	
Βάρος	Kg	3,5	
Μέγιστο μήκος κοπής	cm	17	

Μπαταρία	A18	A1718	
Τάση	V _{DC}	18	18
Χωρητικότητα	Ah	1.5	1.7
Τύπος μπαταρίας		NiCd	NiCd

Φορτιστής	9050084*	
Τάση δικτύου	V _{AC}	230 - 240V
Τάση εξόδου	V _{DC}	21.75
Αμπεράζ	mA	210
Χρόνος φόρτισης κατά προσέγγιση	h	8

Στάθμη ηχητικής ισχύος, μετρημένης σύμφωνα με το πρότυπο EN ISO 3744: LWA = 98 dB(A), αβεβαιότητα (K) = 3 dB(A)

Στάθμη ηχητικής πίεσης, μετρημένης σύμφωνα με το πρότυπο EN ISO 11203: LPA = 78 dB(A), αβεβαιότητα (K) = 3 dB(A)

Οι συνολικές τιμές δόνησης (διανυσματικό άθροισμα τριών αξόνων) καθορίστηκαν σύμφωνα με το πρότυπο EN 60745			
Κοπή ξύλου	Τιμή εκπομπής δόνησης ah=	<2.5	m/s ²
	Αβεβαιότητα K=	<1.5	m/s ²

Δήλωση συμμόρφωσης με την Ευρωπαϊκή Κοινότητα

ΟΔΗΓΙΑ ΠΕΡΙ ΜΗΧΑΝΗΜΑΤΩΝ



GPC1800, GPC1800P

Η Black & Decker δηλώνει ότι τα προϊόντα αυτά που περιγράφονται στα "τεχνικά χαρακτηριστικά" συμμορφώνονται με την: 98/37/EK (έως 28 Δεκ., 2009), 2006/42/EK (από 29 Δεκ., 2009), EN60745-1,

Αυτά τα προϊόντα συμμορφώνονται επίσης με την Οδηγία 2004/108/EK. Για περισσότερες πληροφορίες, παρακαλείσθε να επικοινωνήσετε με την Black & Decker στην παρακάτω διεύθυνση ή να ανατρέξετε στο πίσω μέρος του εγχειριδίου.

Ο κάτωθι υπογεγραμμένος είναι υπεύθυνος για την κατάρτιση του τεχνικού φακέλου και δηλώνει τα παρόντα εκ μέρους της Black & Decker.

Kevin Hewitt

Αντιπρόεδρος παγκόσμιας μηχανικής
Black & Decker Europe, 210 Bath Road, Slough,
Berkshire, SL1 3YD
Ηνωμένο Βασίλειο
12/04/2012

Εγγύηση

Η Black & Decker είναι σίγουρη για την ποιότητα των προϊόντων της και παρέχει μια εξαιρετική εγγύηση. Η παρούσα γραπτή εγγύηση αποτελεί πρόσθετο δικαίωμά σας και δε ζημιώνει τα νόμιμα δικαιώματά σας.

Η εγγύηση ισχύει εντός της επικράτειας των Κρατών Μελών της Ευρωπαϊκής Ένωσης και της Ευρωπαϊκής Ζώνης Ελευθέρων Συναλλαγών.

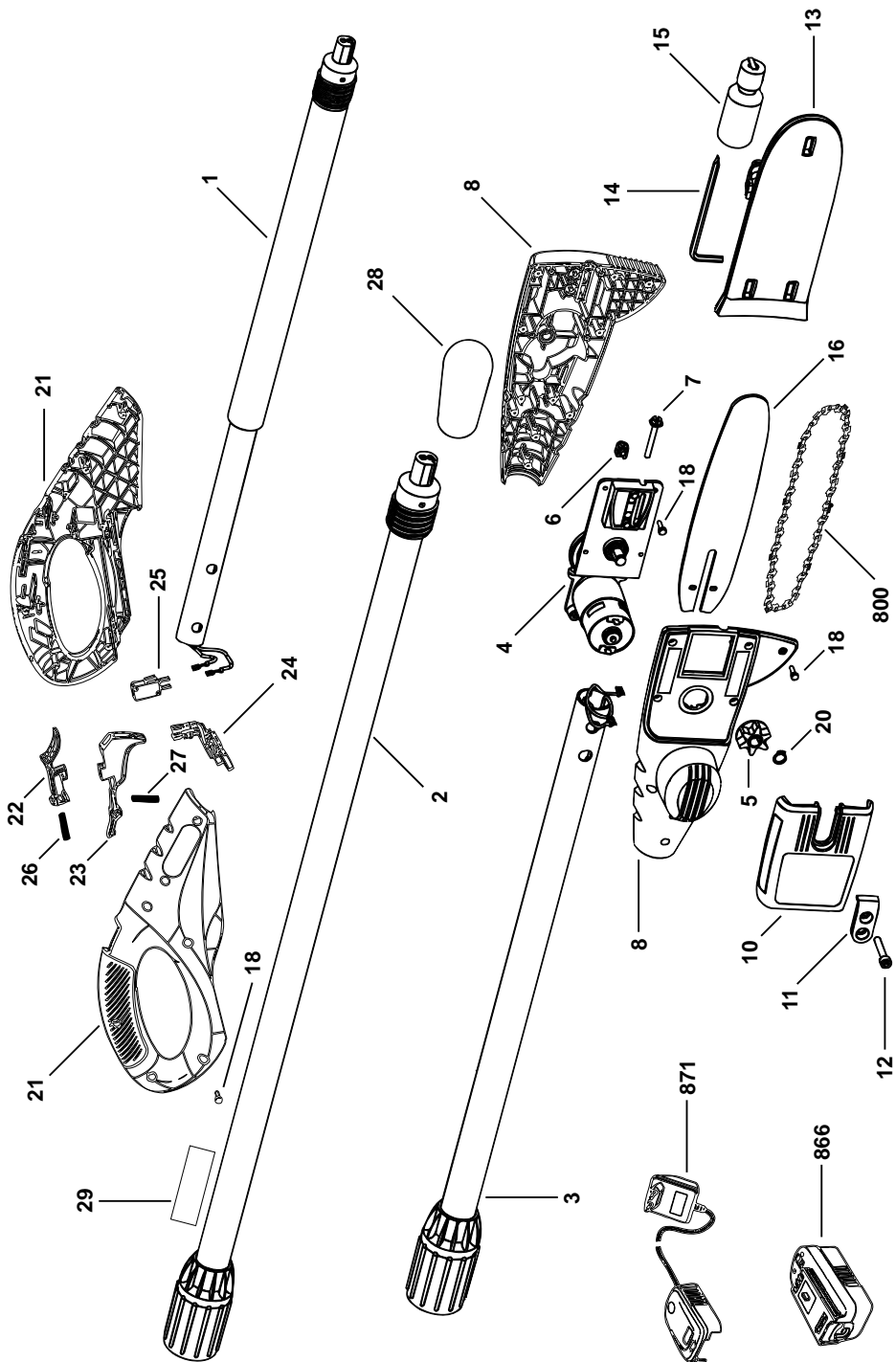
Σε περίπτωση που κάποιο προϊόν της Black & Decker παρουσιάσει βλάβη εξαιτίας ελαττωματικών υλικών, ποιότητας εργασίας ή έλλειψης συμφωνίας με τις προδιαγραφές εντός 24 μηνών από την ημερομηνία αγοράς, η Black & Decker εγγυάται την αντικατάσταση των ελαττωματικών τμημάτων, την επισκευή προϊόντων που έχουν υποστεί εύλογη φθορά λόγω χρήσης ή την αντικατάσταση των προϊόντων προκειμένου να εξασφαλίσει την ελάχιστη ενόχληση στους πελάτες της, εκτός εάν:

- Το προϊόν έχει χρησιμοποιηθεί σε εργασιακό, επαγγελματικό περιβάλλον ή έχει νοικιαστεί.
- Έχει γίνει εσφαλμένη χρήση του προϊόντος ή έχει παραμεληθεί.
- Το προϊόν έχει υποστεί βλάβη από άλλα αντικείμενα, από ουσίες ή λόγω ατυχήματος.
- Έχει γίνει προσπάθεια επισκευής από μη εξουσιοδοτημένα κέντρα επισκευών ή από προσωπικό που δεν ανήκει στο προσωπικό της Black & Decker.

Για να ισχύσει η εγγύηση, πρέπει να υποβάλετε απόδειξη αγοράς στον πωλητή ή το εξουσιοδοτημένο κέντρο επισκευών. Ενημερωθείτε για το πλησιέστερο εξουσιοδοτημένο κέντρο επισκευών της περιοχής σας, επικοινωνώντας με τα γραφεία της Black & Decker στη διεύθυνση που αναγράφεται στο εγχειρίδιο. Επίσης, μια λίστα με τα εξουσιοδοτημένα κέντρα επισκευών της Black & Decker και πλήρεις λεπτομέρειες για τις υπηρεσίες που παρέχονται μετά την πώληση καθώς και στοιχεία επικοινωνίας υπάρχουν στο Διαδίκτυο, στη διεύθυνση:

www.2helpU.com

Παρακαλούμε επισκεφθείτε την ιστοσελίδα μας www.blackanddecker.eu για να καταχωρήσετε το νέο σας προϊόν Black & Decker και για να ενημερώνεστε για τα νέα προϊόντα και τις ειδικές προσφορές. Περισσότερες πληροφορίες σχετικά με τη μάρκα Black & Decker και τη σειρά των προϊόντων μας θα βρείτε στη διεύθυνση:



ENGLISH

Do not forget to register your product!

www.blackanddecker.co.uk/productregistration
Register your product online at www.blackanddecker.co.uk/productregistration or send your name, surname and product code to Black & Decker in your country

DEUTSCH

Vergessen Sie nicht, Ihr Produkt registrieren zu lassen!

www.blackanddecker.de/productregistration
Lassen Sie Ihr Produkt unter www.blackanddecker.de/productregistration online registrieren oder schicken Sie Ihren Nachnamen, Vornamen und den Produktcode an Black & Decker in Ihrem Land.

FRANÇAIS

N'oubliez pas d'enregistrer votre produit !

www.blackanddecker.fr/productregistration
Enregistrez votre produit en ligne sur www.blackanddecker.fr/productregistration ou envoyez vos nom, prénom et code produit à Black & Decker dans votre pays.

ITALIANO

Non dimenticate di registrare il prodotto!

www.blackanddecker.it/productregistration
Registrate il prodotto online su www.blackanddecker.it/productregistration o inviate nome, cognome e codice del prodotto al centro Black & Decker del vostro paese.

NEDERLANDS

Vergeet niet uw product te registreren!

www.blackanddecker.nl/productregistration
U kunt uw product online registreren op www.blackanddecker.nl/productregistration of u kunt uw voornaam, achternaam en productcode opsturen naar Black & Decker in uw land.

ESPAÑOL

¡No olvide registrar su producto!

www.blackanddecker.es/productregistration
Registre su producto on-line en www.blackanddecker.es/productregistration o envíe su nombre, apellidos y código de producto a Black & Decker en su país.

PORTUGUÊS

Não se esqueça de registar o seu produto!

www.blackanddecker.pt/productregistration
Registe o seu produto online em www.blackanddecker.pt/productregistration ou envie o seu nome, apelido e código do produto para a Black & Decker no seu país.

SVENSKA

Glöm inte att registrera produkten!

www.blackanddecker.se/productregistration
Registrera produkten online på www.blackanddecker.se/productregistration eller skicka namn och produktkod till Black & Decker i landet du bor i.

NORSK

Ikke glem å registrere produktet ditt!

www.blackanddecker.no/productregistration
Registrer produktet ditt online på www.blackanddecker.no/productregistration, eller send ditt navn, etternavn og produktkode til Black & Decker i ditt eget land.

DANSK

Glem ikke at registrere dit produkt!

www.blackanddecker.dk/productregistration
Registrer dit produkt på internettet på: www.blackanddecker.dk/productregistration eller send dit navn, efternavn og produktkode til Black & Decker i dit eget land.

SUOMI

Muistathan rekisteröidä tuotteesi!

www.blackanddecker.fi/productregistration
Rekisteröi tuotteesi verkossa osoitteessa www.blackanddecker.fi/productregistration tai lähetä etunimesi, sukunimesi ja tuotekoodi oman maasi Black & Decker -edustajalle.

ΕΛΛΗΝΙΚΑ

Μην ξεχάσετε να καταχωρίσετε το προϊόν σας!

www.blackanddecker.gr/productregistration
Καταχωρίστε το προϊόν σας σε σύνδεση στη σελίδα www.blackanddecker.gr/productregistration ή στείλτε το όνομα, επίθετο σας και τον κωδικό πριονιωτός στη Black & Decker στη χώρα σας.

België/Belgique	Black & Decker (Belgium) N.V. Nieuwlandlaan 321 3200 Aarschot	Tel. Fax	016 68 91 00 016 68 91 11
Danmark	Black & Decker Sluseholmen 2-4, 2450 København SV Internet: www.blackanddecker.dk	Tel. Fax	70 20 15 10 70 22 49 10
Deutschland	Black & Decker GmbH Black & Decker Str. 40, D - 65510 Idstein	Tel. Fax	06126/21 - 0 06126/21 29 80
Ελλάδα	Black & Decker (Ελλάς) Α.Ε. Στράβωνος 7 & Λεωφ. Βουλιαγμένης 159 166 74 Γλυφάδα - Αθήνα	Τηλ. Φαξ www.blackanddecker.eu	210 8981616 210 8983285
España	Black & Decker Ibérica, S.C.A. Parc de Negocis "Mas Blau" Edificio Muntadas, c/Bergadá, 1, Of. A6 08820 El Prat de Llobregat (Barcelona)	Tel. Fax	934 797 400 934 797 419
France	Black & Decker (France) S.A.S. B.P. 21, 69571 Dardilly Cédex	Tel. Fax	04 72 20 39 20 04 72 20 39 00
Helvetia	ROFO AG Gewerbezone Seeblick 3213 Kleinbödingen	Tel. Fax	026-6749391 026-6749394
Italia	Black & Decker Italia SpA Viale Elvezia 2 20052 Monza (MI)	Tel. Fax Numero verde	039-23871 039-2387592/2387594 800-213935
Nederland	Black & Decker Benelux Joulehof 12, 4622 RG Bergen op Zoom	Tel. Fax	0164 - 283000 0164 - 283100
Norge	Black & Decker (Norge) A/S Postboks 4814, Nydalen, 0422 Oslo Internet: www.blackanddecker.no	Tlf. Fax	22 90 99 00 22 90 99 01
Österreich	Black & Decker Vertriebsges.m.b.H Oberlaaerstraße 246, A1100 Wien	Tel. Fax	01 66116-0 01 66116-14
Portugal	Black & Decker Rua Egas Moniz 173 S. João do Estoril 2766-651 Estoril	Tel. Fax	214667500 214667580
Suomi	Black & Decker Oy Keilasatama 3, 02150 Espoo Black & Decker Oy, Kägelhamnen 3, 02150 Esbo	Puh. Faksi Tel. Fax	010 400 430 (09) 2510 7100 010 400 430 (09) 2510 7100
Sverige	Black & Decker AB Fabriksg. 7, 412 50 Göteborg	Tel. Fax	031-68 60 60 031-68 60 80
United Kingdom	Black & Decker 210 Bath Road Slough, Berkshire SL1 3YD	Tel. Fax Helpline	01753 511234 01753 551155 01753 574277
Middle East & Africa	Black & Decker (Overseas) A.G. PB 5420, Dubai, United Arab Emirates	Tel. Fax	+971 4 2826464 +971 4 2826466