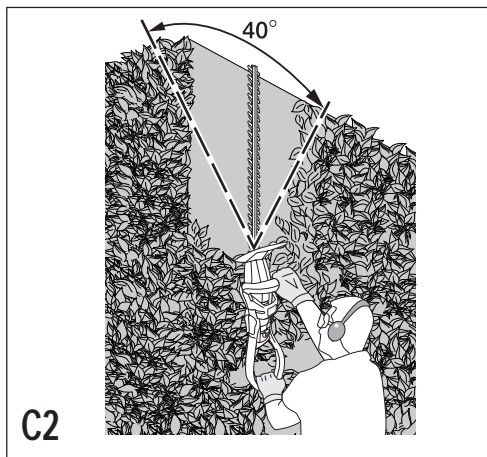
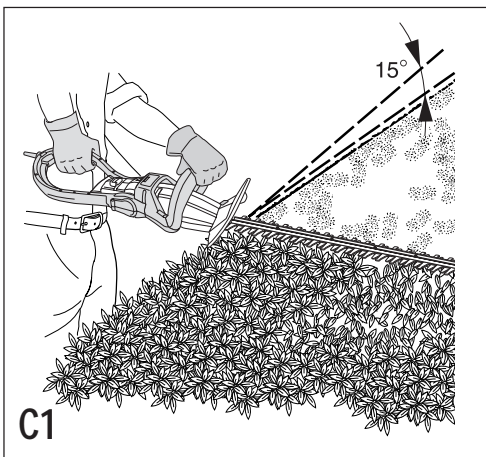
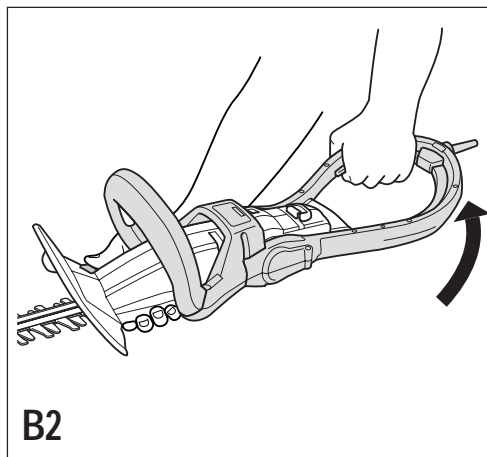
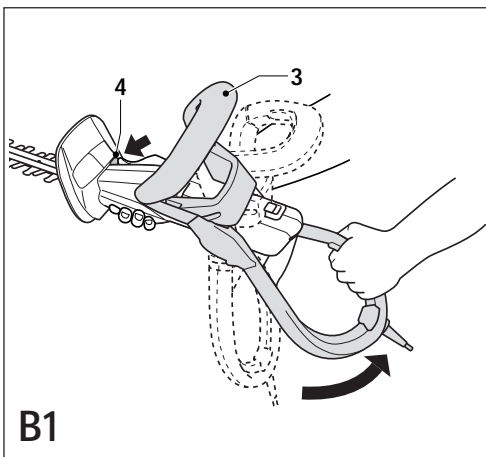
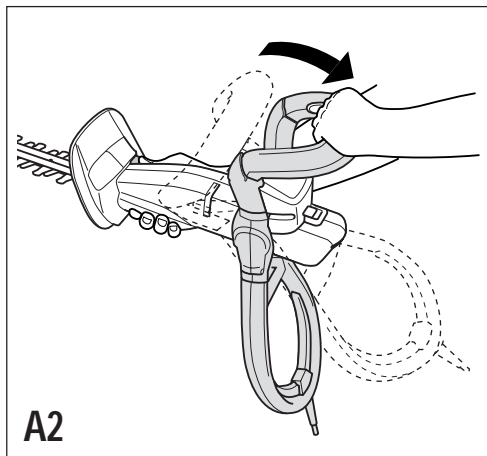
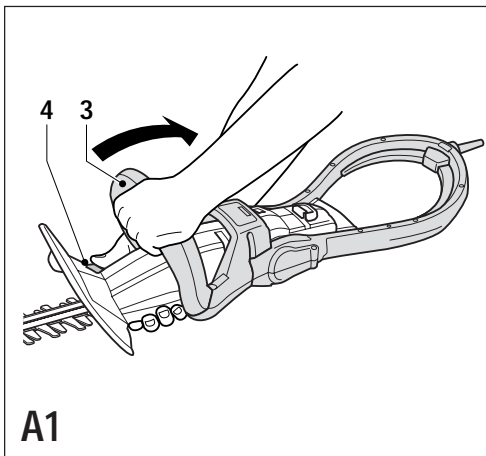
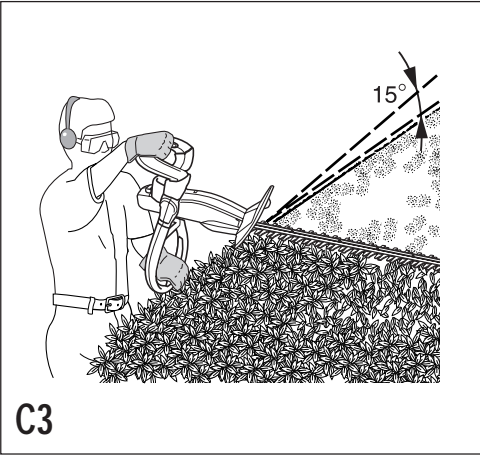


English	4
Deutsch	8
Français	13
Italiano	17
Nederlands	21
Español	25
Português	30
Svenska	34
Norsk	38
Dansk	42
Suomi	46
Ελληνικά	50





## Intended use

Your Black & Decker hedgetrimmer has been designed for trimming hedges, shrubs and brambles. This tool is intended for consumer use only.

## Safety instructions

- ◆ **Warning!** When using mains-powered tools, basic safety precautions, including the following, should always be followed to reduce the risk of fire, electric shock, personal injury and material damage.
- ◆ Read all of this manual carefully before operating the tool.
- ◆ Retain this manual for future reference.
- ◆ Remove the plug from the socket before carrying out any adjustment, servicing or maintenance.

### Keep work area clean

Cluttered areas and benches can cause accidents.

### Consider work area environment

Do not expose the tool to rain. Do not use the tool in damp or wet conditions. Keep the work area well lit. Do not use the tool where there is a risk of causing fire or explosion, e.g. in the presence of flammable liquids and gases.

### Keep children away

Do not allow children, visitors or animals to come near the work area or to touch the tool or mains cable.

### Dress properly

Do not wear loose clothing or jewellery, as these can be caught in moving parts. Preferably wear rubber gloves and non-slip footwear when working outdoors. Wear protective hair covering to keep long hair out of the way.

### Personal protection

Always use safety glasses. Use a face or dust mask whenever the operations may produce dust or flying particles.

Hearing protection should be worn.

### Guard against electric shock

Prevent body contact with earthed or grounded surfaces

(e.g. pipes, radiators, cookers and refrigerators).

Electric safety can be further improved by using a high-sensitivity (30 mA / 30 mS) residual current device (RCD).

### Do not overreach

Keep proper footing and balance at all times.

### Stay alert

Watch what you are doing. Use common sense.

Do not operate the tool when you are tired.

### Secure workpiece

Use clamps or a vice to hold the workpiece. It is safer and it frees both hands to operate the tool.

### Connect dust extraction equipment

If devices are provided for the connection of dust extraction and collection facilities, ensure that these are connected and properly used.

## Remove adjusting keys and wrenches

Always check that adjusting keys and wrenches are removed from the tool before operating the tool.

### Extension cables

Before use, inspect the extension cable and replace if damaged.

When using the tool outdoors, only use extension cables intended for outdoor use. Up to 30 m of Black & Decker extension cable can be used without loss of power.

### Use appropriate tool

The intended use is described in this instruction manual.

Do not force small tools or attachments to do the job of a heavy-duty tool. The tool will do the job better and safer at the rate for which it was intended. Do not force the tool. Do not use the tool for purposes not intended, for example, do not use a circular saw to cut tree limbs or logs.

**Warning!** The use of any accessory or attachment or performance of any operation with this tool other than those recommended in this instruction manual may present a risk of personal injury.

### Check for damaged parts

Before use, carefully check the tool and mains cable for damage. Check for misalignment and seizure of moving parts, breakage of parts, damage to guards and switches and any other conditions that may affect its operation. Ensure that the tool will operate properly and perform its intended function. Do not use the tool if any part is damaged or defective. Do not use the tool if the switch does not turn it on and off. Have any damaged or defective parts repaired or replaced by an authorised repair agent. Never attempt any repairs yourself.

### Unplug the tool

Unplug the tool when it is not in use, before changing any parts of the tool, accessories or attachments and before servicing.

### Avoid unintentional starting

Do not carry the tool with a finger on the on/off switch.

Be sure that the tool is switched off when plugging in.

### Do not abuse cord

Never carry the tool by its cord or pull it to disconnect from the socket. Keep the cord away from heat, oil and sharp edges.

### Store idle tools

When not in use, tools should be stored in a dry, locked up or high place, out of reach of children.

### Maintain tools with care

Keep cutting tools sharp and clean for better and safer performance. Follow the instructions for maintenance and changing accessories. Keep handles and switches dry, clean and free from oil and grease.

### Repairs

This tool complies with relevant safety requirements.

Repairs should only be carried out by qualified persons using original spare parts; otherwise this may result in considerable danger to the user.

## Electrical safety



This tool is double insulated; therefore no earth wire is required. Always check that the power supply corresponds to the voltage on the rating plate.

## Additional safety instructions for hedgetrimmers



Wear safety glasses or goggles when operating this tool.



Wear gloves when operating this tool.



Wear ear protection when operating this tool.



Immediately disconnect the cable from the mains if it is damaged or cut.



Do not expose the tool to rain or high humidity.

- ◆ Keep the cable away from the blades while using this tool.
- ◆ If you have not used a hedgetrimmer before, preferably seek practical instruction by an experienced user in addition to studying this manual.
- ◆ Never touch the blades while the tool is running.
- ◆ Never attempt to force the blades to come to a standstill.
- ◆ Do not put the tool down until the blades have come to a complete standstill.
- ◆ Regularly check the blades for damage and wear. Do not use the tool when the blades are worn or damaged.
- ◆ Take care to avoid hard objects (e.g. metal wire, railings) when trimming. Should you accidentally hit any such object, immediately switch the tool off, unplug it and check for any damage.
- ◆ Should the tool start to vibrate abnormally, immediately switch it off and check for any damage.
- ◆ If the tool stalls, immediately switch it off. Unplug the tool before attempting to remove any obstructions.
- ◆ After use, place the blade sheath supplied over the blades. Store the tool, making sure that the blade is not exposed.
- ◆ Always ensure that all handles and guards are fitted when using the tool. Never attempt to use an incomplete tool or a tool with unauthorised modifications.
- ◆ Never allow children to use the tool.
- ◆ When operating the rotating handle, hold the unit away from your body and loose clothes.
- ◆ Be aware of falling debris when cutting the higher sides of a hedge.

## Features

This tool includes some or all of the following features.

1. Handle switch
2. Trigger switch
3. Rotating handle
4. Handle release button
5. Blade
6. Blade sheath

This hedgetrimmer has the following features for your benefit:

- ◆ Innovative handle for comfortable cutting.
- ◆ Laser cut and diamond ground blades for improved cutting.
- ◆ Dual action blades for reduced vibration.

## Use

### Changing the position of the rotating handle

**Warning!** Before changing the position of the rotating handle, make sure that the tool is switched off and unplugged.

#### Rotating the handle into the right-angle position (fig. A1 & A2)

Your hedgetrimmer will reach you with the handle in the forward position. To rotate the handle, proceed as follows:

- ◆ Support the underside of the unit with one hand.
- ◆ Press the release button (4) with your thumb and rotate the handle (3) backward with your other hand.
- ◆ Move the handle fully into the right-angle position. Make sure the handle clicks and locks into place.

#### Rotating the handle into the forward position (fig. B1 & B2)

To move the handle from the right-angle into the forward position, proceed as follows:

- ◆ Support the underside of the unit with one hand.
- ◆ Press the release button (4) with your thumb and rotate the handle (3) forward with your other hand.
- ◆ Move the handle fully into the forward position. Make sure the handle clicks and locks into place.

### Connecting the tool to the mains

Unless the tool is fitted with a mains cable, you will need to connect an extension cable to the power inlet.

- ◆ Connect the female socket of a suitable extension cable to the power inlet of the tool.
- ◆ Insert the mains plug into a mains outlet.

**Warning!** The extension cable must be suitable for outdoor use. When using a cable reel, always unwind the cable completely.

## Switching on and off

**Warning!** Let the tool work at its own pace. Do not overload.

- ◆ Carefully guide the cable in order to avoid accidentally cutting it. A good way to control the cable is by putting it over your shoulder.
- ◆ For your safety, this tool is equipped with a double switching system. This system prevents starting the tool inadvertently and will only allow operation while holding the tool with both hands.

## Switching on

**Warning!** Make sure the handle is fully locked in either the forward or the right-angle position.

- ◆ Squeeze either of the handle switches (1).
- ◆ Squeeze the trigger switch (2) to start the tool.

## Switching off

- ◆ Release the handle switch (1) or the trigger switch (2).

**Warning!** Never attempt to lock a switch in the on position.

## Hints for optimum use

- ◆ Start by trimming the top of the hedge. Slightly tilt the tool (up to 15° relative to the line of cut) so that the blade tips point slightly towards the hedge (fig. C1 & C3). This will cause the blades to cut more effectively. Hold the tool at the desired angle and move it steadily along the line of cut. The double-sided blade allows you to cut in either direction.
- ◆ In order to obtain a very straight cut, stretch a piece of string along the length of the hedge at the desired height. Use the string as a guideline, cutting just above it.
- ◆ In order to obtain flat sides, cut upwards with the growth. Younger stems move outwards when the blade cuts downwards, causing shallow patches in the hedge.
- ◆ With the handle in the forward position the tool can be used to cut the high sides of the hedge. Move the tool side to side in a 40° arc (fig. C2).
- ◆ Take care to avoid any foreign objects. Especially avoid hard objects such as metal wire and railings, as these could damage the blades.
- ◆ Regularly oil the blades.

## Guidelines for trimming (UK & Ireland)

- ◆ Trim hedges and shrubs with seasonal leaves (new leaves every year) in June and October.
- ◆ Trim evergreens in April and August.
- ◆ Trim conifers and other fast growing shrubs every six weeks from May until October.

## Guidelines for trimming (Australia & New Zealand)

- ◆ Trim hedges and shrubs with seasonal leaves (new leaves every year) in December and March.
- ◆ Trim evergreens in September and February.
- ◆ Trim conifers and other fast growing shrubs every six weeks from October until March.

## Maintenance

Your tool has been designed to operate over a long period of time with a minimum of maintenance. Continuous satisfactory operation depends upon proper tool care and regular cleaning.

**Warning!** Before performing any maintenance, switch off and unplug the tool.

- ◆ After use, carefully clean the blades. After cleaning, apply a film of light machine oil to prevent the blades from rusting.
- ◆ Regularly clean the ventilation slots in your tool using a soft brush or dry cloth.
- ◆ Regularly clean the motor housing using a damp cloth. Do not use any abrasive or solvent-based cleaner.
- ◆ Make sure all the handle release buttons and switches are free of debris before and after use.
- ◆ Always store the tool with the handle locked in the forward position.

## Mains plug replacement (U.K. & Ireland only)

If a new mains plug needs to be fitted:

- ◆ Safely dispose of the old plug.
- ◆ Connect the brown lead to the live terminal in the new plug.
- ◆ Connect the blue lead to the neutral terminal.

**Warning!** No connection is to be made to the earth terminal. Follow the fitting instructions supplied with good quality plugs. Recommended fuse: 5 A.

## Troubleshooting

If the tool does not operate correctly, check the following.

Fault	Possible cause	Action
Tool will not start.	Blown fuse. Tripped RCD. Mains lead not connected. Handle not locked.	Replace fuse. Check RCD. Check mains supply. Release handle, then re-position.

## Protecting the environment



Black & Decker provides a facility for recycling Black & Decker products once they have reached the end of their working life. This service is provided free of charge. To take advantage of this service please return your product to any authorised repair agent who will collect them on our behalf.

You can check the location of your nearest authorised repair agent by contacting your local Black & Decker office at the address indicated in this manual. Alternatively, a list of authorised Black & Decker repair agents and full details of our after-sales service and contacts are available on the Internet at: [www.2helpU.com](http://www.2helpU.com).

### Technical data

	GT370	GT371
Voltage	$V_{AC}$ 230	230
Power input	W 300	300
Blade strokes (no load)	$\text{min}^{-1}$ 1,350	1,350
Blade length	cm 50	60
Blade gap	mm 20	20
Blade brake time	s < 1.0	< 1.0
Weight (excl. supply cord)	kg 2.6	2.7

### EC declaration of conformity

Black & Decker declares that these products conform to:  
98/37/EC, 89/336/EEC, 73/23/EEC, EN 50144, EN 55014,  
EN 61000,

2000/14/EC, Hedgetrimmer,  $\leq 520$  W, Annex V

$L_{pA}$  (sound pressure): 86 dB(A),  $L_{WA}$  (acoustic power) 100 dB(A),  
 $L_{WA}$  (guaranteed) 103 dB(A), hand/arm weighted vibration  
< 2.5  $\text{m/s}^2$

Kevin Hewitt  
Director of Consumer Engineering  
Spennymoor, County Durham DL16 6JG,  
United Kingdom  
1-10-2003

If a Black & Decker product becomes defective due to faulty materials, workmanship or lack of conformity, within 24 months from the date of purchase, Black & Decker guarantees to replace defective parts, repair products subjected to fair wear and tear or replace such products to ensure minimum inconvenience to the customer unless:

- ◆ The product has been used for trade, professional or hire purposes;
- ◆ The product has been subjected to misuse or neglect;
- ◆ The product has sustained damage through foreign objects, substances or accidents;
- ◆ Repairs have been attempted by persons other than authorised repair agents or Black & Decker service staff.

To claim on the guarantee, you will need to submit proof of purchase to the seller or an authorised repair agent. You can check the location of your nearest authorised repair agent by contacting your local Black & Decker office at the address indicated in this manual. Alternatively, a list of authorised Black & Decker repair agents and full details of our after-sales service and contacts are available on the Internet at:

[www.2helpU.com](http://www.2helpU.com).

Please register at our website [www.blackanddecker.com](http://www.blackanddecker.com) to be kept up to date on new products and special offers. Further information on the Black & Decker brand and our range of products is available at [www.blackanddecker.com](http://www.blackanddecker.com).

## Guarantee

Black & Decker is confident of the quality of its products and offers an outstanding guarantee. This guarantee statement is in addition to and in no way prejudices your statutory rights. The guarantee is valid within the territories of the Member States of the European Union and the European Free Trade Area.

## Bestimmungsgemäße Verwendung

Ihre Black & Decker Heckenscherer wurde zum Schneiden von Hecken und Sträuchern entwickelt. Dieses Gerät ist nicht für den gewerblichen Einsatz vorgesehen.

## Sicherheitshinweise

- ◆ **Warnung!** Bei der Verwendung elektrischer Geräte sind zum Schutz gegen Feuergefahr, gegen elektrischen Schlag sowie gegen Körper- und Sachschaden grundlegende Sicherheitsmaßnahmen, einschließlich der folgenden Vorschriften, zu beachten.
- ◆ Lesen Sie diese Anleitung gründlich durch, bevor Sie das Gerät verwenden.
- ◆ Bewahren Sie diese Anleitung auf.
- ◆ Ziehen Sie immer den Netzstecker, bevor Sie Einstellungs- oder Wartungsarbeiten durchführen.

### Halten Sie Ihren Arbeitsbereich in Ordnung!

Unordnung im Arbeitsbereich führt zu Unfallgefahren.

### Berücksichtigen Sie Umgebungseinflüsse!

Setzen Sie das Gerät keinem Regen aus. Verwenden Sie das Gerät nicht in einer feuchten oder nassen Umgebung. Sorgen Sie für eine gute Beleuchtung des Arbeitsbereiches. Benutzen Sie das Gerät nicht an Orten, wo Feuergefahr oder Explosionsgefahr besteht, z.B. in der Nähe von brennbaren Flüssigkeiten oder Gasen.

### Halten Sie Kinder fern!

Halten Sie Kinder, Besucher und Tiere dem Arbeitsbereich fern und sorgen Sie dafür, daß sie das Gerät und das Netzkabel nicht berühren.

### Tragen Sie geeignete Arbeitskleidung!

Tragen Sie keine weite Kleidung oder Schmuck, da diese von sich bewegenden Teilen erfaßt werden können. Beim Arbeiten im Freien sind Arbeitshandschuhe und rutschfestes Schuhwerk empfehlenswert. Tragen Sie bei langen Haaren ein Haarnetz.

### Schutzmaßnahmen:

Verwenden Sie immer eine Schutzbrille. Tragen Sie eine Atemschutzmaske, falls die Arbeiten Staub oder Späne erzeugen können. Tragen Sie einen Gehörschutz.

### Schutz vor elektrischem Schlag:

Vermeiden Sie eine Körperberührung mit geerdeten Objekten (z.B. Rohren, Heizkörpern, Herden und Kühlschränken). Die elektrische Sicherheit läßt sich durch Verwendung eines Fehlerstrom-Schutzschalters (30 mA / 30 mS) weiter erhöhen.

### Achten Sie auf einen sicheren Stand!

Achten Sie auf einen sicheren Stand, um in jeder Arbeitsposition das Gleichgewicht zu halten.

### Seien Sie stets aufmerksam!

Konzentrieren Sie sich auf Ihre Arbeit. Gehen Sie vernünftig vor. Verwenden Sie das Gerät nicht, wenn Sie müde sind.

### Sichern Sie das Werkstück!

Benutzen Sie Spannvorrichtungen oder einen Schraubstock, um das Werkstück festzuhalten. Es ist damit sicherer gehalten und ermöglicht die Bedienung des Gerätes mit beiden Händen.

### Schließen Sie Vorrichtungen zur Staubabsaugung an!

Falls Vorrichtungen zur Absaugung oder zum Sammeln von Staub an das Gerät angeschlossen werden können, vergewissern Sie sich, daß diese angeschlossen sind und ordnungsgemäß verwendet werden.

### Lassen Sie keine Schlüssel stecken!

Überprüfen Sie vor dem Einschalten, ob die Schlüssel und Einstellwerkzeuge entfernt sind.

### Verlängerungskabel

Prüfen Sie vor dem Gebrauch das Verlängerungskabel und tauschen Sie es aus, falls es beschädigt ist. Wenn Sie das Gerät im Freien verwenden, verwenden Sie nur Verlängerungskabel, die sich für den Einsatz im Freien eignen. Ein bis zu 30 m langes Black & Decker Verlängerungskabel kann verwendet werden, ohne daß Leistungsverluste entstehen.

### Benutzen Sie das richtige Gerät!

Die bestimmungsgemäße Verwendung ist in dieser Betriebsanleitung beschrieben. Verwenden Sie keine zu schwachen Geräte oder Zubehörteile für schwere Arbeiten. Mit dem richtigen Gerät erzielen Sie eine optimale Qualität und gewährleisten Ihre persönliche Sicherheit. Überlasten Sie das Gerät nicht. Verwenden Sie das Gerät nicht für andere Zwecke als vorgesehen; verwenden Sie z.B. eine Handkreissäge nicht zum Sägen von Baumstämmen und Ästen.

**Warnung!** Das Verwenden anderer als der in dieser Anleitung empfohlenen Vorsatzgeräte und Zubehörteile kann die Ausführung von Arbeiten mit diesem Gerät, die nicht der bestimmungsgemäßen Verwendung entsprechen, kann zu Unfallgefahren führen.

### Kontrollieren Sie Ihr Gerät auf Beschädigungen!

Überprüfen Sie das Gerät und das Netzkabel vor der Arbeit auf Beschädigungen. Überprüfen Sie, ob alle beweglichen Teile richtig montiert sind, ob keine Teile gebrochen sind, ob keine Schutzvorrichtungen und Schalter beschädigt sind, und ob irgendwelche anderen Schäden den einwandfreien Betrieb des Gerätes beeinträchtigen könnten. Vergewissern Sie sich, daß das Gerät ordnungsgemäß funktionieren wird. Benutzen Sie das Gerät nicht, wenn ein Teil defekt ist. Verwenden Sie das Gerät nicht, wenn der Ein-/Aus-Schalter nicht funktioniert. Lassen Sie defekte Teile immer von einer unserer Kundendienstwerkstätten reparieren oder austauschen. Versuchen Sie nie, das Gerät selber zu reparieren.

### Ziehen Sie den Netzstecker!

Ziehen Sie den Netzstecker, wenn Sie das Gerät nicht benutzen, bevor Sie irgendwelche Werkzeuge, Zubehörteile oder Geräteteile auswechseln und bevor Sie irgendwelche Wartungsarbeiten vornehmen.



**Vermeiden Sie ein unbeabsichtigtes Einschalten!**

Tragen Sie das Gerät nicht mit dem Finger am Ein-/Aus-Schalter. Vergewissern Sie sich, daß das Gerät ausgeschaltet ist, wenn Sie es an die Stromversorgung anschließen.

**Behandeln Sie das Kabel sorgfältig!**

Tragen Sie das Gerät nicht am Kabel und benutzen Sie das Kabel nicht, um den Stecker aus der Steckdose zu ziehen. Schützen Sie das Kabel vor Hitze, Öl und scharfen Kanten.

**Bewahren Sie Ihre Geräte sicher auf!**

Unbenutzte Geräte sind an einem trockenen, für Kinder nicht erreichbaren Ort aufzubewahren.

**Pflegen Sie Ihre Geräte mit Sorgfalt!**

Halten Sie Schneidwerkzeuge scharf und sauber, um gut und sicher arbeiten zu können. Befolgen Sie die Wartungsvorschriften und die Hinweise für den Werkzeugwechsel. Halten Sie Handgriffe und Schalter trocken, sauber und frei von Öl und Fett.

**Reparaturen:**

Dieses Gerät entspricht den einschlägigen Sicherheitsvorschriften. Reparaturen sind nur von autorisierten Fachkräften und mit Original-Ersatzteilen vorzunehmen; andernfalls kann Unfallgefahr für den Betreiber entstehen.

**Elektrische Sicherheit:**



Dieses Gerät ist schutzisoliert, daher ist keine Erdleitung erforderlich. Überprüfen Sie stets, ob die Netzspannung der auf dem Typenschild angegebenen Spannung entspricht.

**Zusätzliche Sicherheitshinweise für Heckenscheren**



Tragen Sie bei der Verwendung dieses Geräts eine Schutzbrille!



Tragen Sie bei der Verwendung dieses Geräts Handschuhe!



Tragen Sie bei der Verwendung dieses Geräts einen Gehörschutz!



Falls das Netzkabel durchgeschnitten oder beschädigt wird, ziehen Sie sofort den Netzstecker.



Setzen Sie das Gerät keinem Regen oder hoher Feuchtigkeit aus.

- ◆ Halten Sie bei der Arbeit mit diesem Gerät das Netzkabel von den Messern fern.
- ◆ Falls Sie noch nie zuvor eine Heckenschere benutzt haben, lassen Sie sich möglichst von einem erfahrenen Benutzer einweisen. Lesen Sie darüber hinaus diese Anleitung sorgfältig durch.
- ◆ Berühren Sie niemals die Messer, während das Gerät läuft.

- ◆ Versuchen Sie nie, die Messer mit Gewalt zum Stillstand zu bringen.
- ◆ Legen Sie das Gerät erst dann nieder, wenn die Messer zum Stillstand gekommen sind.
- ◆ Prüfen Sie die Messer regelmäßig auf Beschädigung und Abnutzung. Verwenden Sie das Gerät nicht, wenn die Messer abgenutzt oder beschädigt sind.
- ◆ Sorgen Sie dafür, daß Sie beim Schneiden nicht auf harte Objekte (z.B. Metalldraht, Gitter) stoßen. Sollten Sie versehentlich doch auf einen harten Gegenstand stoßen, schalten Sie das Gerät sofort aus, ziehen Sie den Netzstecker und überprüfen Sie das Gerät auf etwaige Beschädigungen.
- ◆ Sollte das Gerät plötzlich stark vibrieren, schalten Sie es sofort aus und überprüfen es auf etwaige Beschädigungen.
- ◆ Wenn das Gerät sich festfährt, schalten Sie es sofort aus. Ziehen Sie den Netzstecker, bevor Sie versuchen, die Blockierung zu beseitigen.
- ◆ Nach dem Gebrauch bringen Sie die im Lieferumfang enthaltene Messerhülle auf den Messern an. Räumen Sie das Gerät ein und vergewissern Sie sich, daß die Messerhülle angebracht ist.
- ◆ Vergewissern Sie sich vor dem Gebrauch immer, daß alle Griffe und Schutzvorrichtungen ordnungsgemäß montiert sind. Versuchen Sie nie, ein Gerät zu verwenden, an dem Teile fehlen oder an dem unbefugte Änderungen vorgenommen wurden.
- ◆ Verboten Sie Kindern die Verwendung des Gerätes.
- ◆ Bei Benutzung des drehbaren Handgriffs halten Sie das Gerät von Ihrem Körper und losen Kleidungsstücken fern.
- ◆ Seien Sie sich über das herunterfallende Schnittgut im klaren, wenn Sie die höher liegenden Seiten einer Hecke schneiden.

**Merkmale**

Dieses Gerät weist einige oder alle der folgenden Merkmale auf.

1. Handgriffschalter
2. Betriebsschalter
3. Drehbarer Handgriff
4. Handgriffentriegelungsknopf
5. Messer
6. Messerhülle

Diese Heckenschere weist folgende nützliche Merkmale auf:

- ◆ Innovativer Handgriff für komfortables Schneiden.
- ◆ Lasergeschnittene und diamantgeschliffene Messer für erhöhte Schnittleistung.
- ◆ Messer mit Doppelwirkung für verringerte Vibrationen.

## Gebrauch

### Ändern der Position des drehbaren Handgriffs

**Achtung!** Bevor Sie die Position des drehbaren Handgriffs ändern, stellen Sie sicher, daß das Gerät ausgeschaltet und vom Netz getrennt ist.

Drehen des Handgriffs in die rechtwinklige Position (Abb. A1 & A2)

Ihre Heckenschere wird mit Handgriff in der vorderen Position ausgeliefert. Um den Handgriff zu drehen, gehen Sie folgendermaßen vor:

- ◆ Stützen Sie die Unterseite des Geräts mit der einen Hand ab.
- ◆ Drücken Sie den Entriegelungsknopf (4) mit Ihrem Daumen und drehen Sie den Handgriff (3) mit der anderen Hand zurück.
- ◆ Bewegen Sie den Handgriff vollständig in die rechtwinklige Position. Vergewissern Sie sich, daß der Handgriff einrastet und in seiner Stellung arretiert.

Drehen des Handgriffs in die vordere Position (Abb. B1 & B2)

Um den Handgriff von der rechtwinkligen Position in die vordere Position zu bewegen, gehen Sie folgendermaßen vor:

- ◆ Stützen Sie die Unterseite des Geräts mit der einen Hand ab.
- ◆ Drücken Sie den Entriegelungsknopf (4) mit Ihrem Daumen und drehen Sie den Handgriff (3) mit der anderen Hand nach vorne.
- ◆ Bewegen Sie den Handgriff vollständig in die vordere Position. Vergewissern Sie sich, daß der Handgriff einrastet und in seiner Stellung arretiert.

### Anschließen an die Stromversorgung

Falls das Gerät nicht mit einem Netzkabel versehen ist, müssen Sie ein Verlängerungskabel mit den Netzanschlüssen verbinden.

- ◆ Schließen Sie die Steckerbuchse eines geeigneten Verlängerungskabels an den Netzanschluß des Geräts an.
- ◆ Stecken Sie den Netzstecker in eine Steckdose.

**Achtung!** Das Verlängerungskabel muß für den Einsatz im Freien geeignet sein. Rollen Sie das Kabel bei Verwendung einer Kabeltrommel immer völlig aus.

### Ein- und Ausschalten

**Achtung!** Beschleunigen Sie den Arbeitsvorgang nicht mit Gewalt. Vermeiden Sie eine Überlastung des Gerätes.

- ◆ Führen Sie das Kabel sorgfältig, damit Sie es nicht versehentlich durchschneiden. Es empfiehlt sich, das Kabel zu führen, indem Sie es über die Schulter legen.

- ◆ Aus Sicherheitsgründen ist dieses Gerät mit einem Doppelschaltersystem ausgestattet. Dieses System verhindert ein unbeabsichtigtes Einschalten des Gerätes und erlaubt den Betrieb nur, wenn Sie das Gerät in beiden Händen halten.

### Einschalten

**Achtung!** Vergewissern Sie sich, daß der Handgriff entweder in der vorderen oder in der rechtwinkligen Position vollständig verriegelt ist.

- ◆ Drücken Sie auf einen der Handgriffschalter (1).
- ◆ Drücken Sie auf den Betriebsschalter (2), um das Gerät zu starten.

### Ausschalten

- ◆ Lassen Sie den Handgriffschalter (1) oder den Betriebsschalter (2) los.

**Achtung!** Versuchen Sie nie, einen Schalter in eingeschaltetem Zustand zu verriegeln.

### Hinweise für optimale Arbeitsergebnisse

- ◆ Schneiden Sie zuerst die Oberseite der Hecke. Neigen Sie das Gerät ein wenig (max. 15° von der Schnittlinie), so daß die Messerspitzen mehr in Richtung der Hecke zeigen (Abb. C1 & C3). So schneiden die Messer besser. Halten Sie das Gerät im gewünschten Winkel, und bewegen Sie es gleichmäßig entlang der Schnittlinie. Da die Messer an beiden Seiten schneiden, können Sie sowohl nach links als auch nach rechts schneiden.
- ◆ Um einen sehr geraden Schnitt zu erzielen, spannen Sie auf der gewünschten Höhe einen Faden über die gesamte Breite der Hecke. Verwenden Sie den Faden als Richtschnur, indem Sie unmittelbar oberhalb des Fadens schneiden.
- ◆ Um flache Seiten zu erhalten, schneiden Sie aufwärts. Wenn die Messer nach unten schneiden, bewegen sich jüngere Zweige nach außen. Dies führt zu schmalen Fetzen in der Hecke.
- ◆ Wenn sich der Handgriff in der vorderen Position befindet, kann das Gerät verwendet werden, um die hohen Seiten der Hecke zu schneiden. Bewegen Sie das Gerät in einem 40°-Bogen von einer Seite zur anderen (Abb. C2).
- ◆ Achten Sie darauf, daß Sie nicht auf Fremdkörper stoßen. Sorgen Sie vor allem dafür, daß Sie nicht auf harte Objekte wie Metalldraht und Gitter stoßen, da dies zu einer Beschädigung der Messer führen kann.
- ◆ Ölen Sie die Messer regelmäßig.

### Wann sollte man schneiden

- ◆ Im Allgemeinen sind Hecken, die ihr Laub im Herbst verlieren, im Juni und im Oktober zu schneiden.
- ◆ Immergrüne Hecken sind im April und im August zu schneiden.

- ◆ Koniferen und andere schnell wachsende Straucharten können ab Mai etwa alle 6 Wochen geschnitten werden.

## Wartung

Ihr Gerät wurde im Hinblick auf eine lange Lebensdauer und einen möglichst geringen Wartungsaufwand entwickelt. Ein dauerhafter, einwandfreier Betrieb setzt eine regelmäßige Reinigung voraus.

**Achtung!** Bevor Sie irgendwelche Wartungsarbeiten vornehmen, schalten Sie das Gerät aus, und ziehen Sie den Netzstecker.

- ◆ Reinigen Sie nach dem Gebrauch vorsichtig die Messer. Geben Sie nach dem Reinigen zum Schutz vor Korrosion ein wenig Maschinenöl auf die Messer.
- ◆ Reinigen Sie regelmäßig die Lüftungsschlitze im Gerät mit Hilfe einer weichen Bürste oder eines trockenen Tuches.
- ◆ Reinigen Sie regelmäßig das Motorgehäuse mit Hilfe eines feuchten Tuches. Verwenden Sie keine scheuernden Reinigungsmittel oder Reinigungsmittel auf Lösungsmittelbasis.
- ◆ Vergewissern Sie sich, daß alle Entriegelungsknöpfe für die Handgriffe sowie alle Schalter vor und nach dem Gebrauch frei von Unrat sind.
- ◆ Bewahren Sie das Gerät immer mit dem Handgriff in der vorderen verriegelten Position auf.

## Störungsbehebung

Falls das Gerät nicht einwandfrei arbeitet, überprüfen Sie folgendes:

Störung	Mögliche Ursache	Abhilfe
Das Gerät startet nicht.	Die Sicherung ist durchgebrannt. Der Schutzschalter hat ausgelöst. Die Netzleitung ist nicht angeschlossen. Der Handgriff ist nicht verriegelt.	Erneuern Sie die Sicherung. Überprüfen Sie den Schutzschalter. Überprüfen Sie die Spannungsversorgung. Lösen Sie den Handgriff, und stellen Sie ihn neu ein.

## Umweltschutz



Black & Decker nimmt Ihre ausgedienten Black & Decker Geräte gern zurück und sorgt für eine umweltfreundliche Entsorgung. Diese Dienstleistung ist für Sie kostenlos. Um diese Dienstleistung in Anspruch zu nehmen, geben Sie das Gerät bitte bei einer autorisierten Reparaturwerkstatt ab, die für uns die Einsammlung übernimmt.

Die Adresse des zuständigen Büros von Black & Decker finden Sie in dieser Anleitung, darüber läßt sich die nächstgelegene Vertragswerkstatt ermitteln. Außerdem ist eine Liste der Vertragswerkstätten und aller Kundendienststellen von Black & Decker sowie der zuständigen Ansprechpartner im Internet zu finden unter: [www.2helpU.com](http://www.2helpU.com).

## Technische Daten

	GT370	GT371
Spannung	V <sub>AC</sub> 230	230
Leistungsaufnahme	W 300	300
Messerbewegungen (Leerlauf)	min <sup>-1</sup> 1.350	1.350
Messeriänge	cm 50	60
Messeröffnung	mm 20	20
Messerbremszeit	Sek. < 1,0	< 1,0
Gewicht (ohne Versorgungsleitung)	kg 2,6	2,7

## EG-Konformitätserklärung

Black & Decker erklärt, daß diese Produkte folgende Konformität erfüllen:  
98/37/EWG, 89/336/EWG, 73/23/EWG, EN 50144, EN 55014, EN 61000,  
2000/14/EWG, Heckenschere, ≤ 520 W, Annex V  
L<sub>PA</sub> (Schalldruck): 86 dB(A), L<sub>WA</sub> (Schalleistung) 100 dB(A),  
L<sub>WA</sub> (garantiert) 103 dB(A), gewichtete Hand-/Armvibrationen  
< 2,5 m/s<sup>2</sup>

Kevin Hewitt  
Director of Consumer Engineering  
Pennymoor, County Durham DL16 6JG,  
Vereinigtes Königreich  
1-10-2003

## Garantie

Black & Decker vertraut auf die Qualität der eigenen Geräte und bietet dem Käufer eine außergewöhnliche Garantie. Diese Garantiezusage versteht sich unbeschadet der gesetzlichen Gewährleistungsansprüche und schränkt diese keinesfalls ein. Sie gilt in sämtlichen Mitgliedsstaaten der Europäischen Union und der Europäischen Freihandelszone EFTA.

Tritt innerhalb von 24 Monaten ab Kaufdatum an einem Gerät von Black & Decker ein auf Material- oder Verarbeitungsfehler zurückzuführender Mangel auf, garantiert Black & Decker den Austausch defekter Teile, die Reparatur von Geräten mit üblichem Verschleiß bzw. den Austausch eines mangelhaften Geräts, ohne den Kunden dabei mehr als unbedingt nötig in Anspruch zu nehmen, allerdings vorbehaltlich folgender Ausnahmen:

- ◆ wenn das Gerät gewerblich, beruflich oder im Verleihgeschäft benutzt wurde;
- ◆ wenn das Gerät mißbräuchlich verwendet oder mit mangelnder Sorgfalt behandelt wurde;

- ◆ wenn das Gerät durch irgendwelche Fremdeinwirkung beschädigt wurde;
- ◆ wenn ein unbefugter Reparaturversuch durch anderes Personal als das einer Vertragswerkstatt oder des Black & Decker-Kundendienstes unternommen wurde.

Zur Inanspruchnahme dieser Garantie ist dem Verkäufer bzw. der Vertragswerkstatt ein Kaufnachweis vorzulegen. Der Kaufnachweis muß Kaufdatum und Gerätetyp bescheinigen. Die Adresse des zuständigen Büros von Black & Decker steht in dieser Anleitung, darüber läßt sich die nächstgelegene Vertragswerkstatt ermitteln. Außerdem ist eine Liste der Vertragswerkstätten und aller Kundendienststellen von Black & Decker sowie der zuständigen Ansprechpartner im Internet zu finden unter: **[www.2helpU.com](http://www.2helpU.com)**.

Bitte melden Sie sich auf unserer Webseite **[www.blackanddecker.com](http://www.blackanddecker.com)** an, damit wir Sie über neue Produkte und Sonderangebote informieren können. Weitere Informationen über die Marke Black & Decker und unsere Produkte finden Sie auf folgender Adresse: **[www.blackanddecker.com](http://www.blackanddecker.com)**.

## Utilisation prévue

Votre taille-haies Black & Decker a été conçu pour la taille de haies, d'arbustes et de ronces. Cet outil a été conçu pour une utilisation exclusivement domestique.

## Instructions de sécurité

- ◆ **Attention!** Lors de l'utilisation d'outils électriques, observez les consignes fondamentales de sécurité, y compris celles qui suivent afin de réduire les risques d'incendie, de décharges électriques, de blessures et de dommages matériels.
- ◆ Lisez et observez attentivement les instructions avant d'utiliser l'outil.
- ◆ Conservez ces instructions.
- ◆ Débranchez l'outil avant d'effectuer tout réglage, entretien ou réparation.

### Tenez votre aire de travail propre et bien rangée

Le désordre augmente les risques d'accident.

### Tenez compte des conditions ambiantes

N'exposez pas l'outil à la pluie. N'exposez pas l'outil à l'humidité. Veillez à ce que l'aire de travail soit bien éclairée. N'utilisez pas l'outil si il existe un risque d'incendie ou d'explosion, par exemple en présence de liquides ou de gaz inflammables.

### Tenez les enfants éloignés

Ne laissez pas les enfants, les visiteurs ou les animaux s'approcher de l'aire de travail ou toucher l'outil ou le câble d'alimentation.

### Portez des vêtements de travail appropriés

Ne pas porter de vêtements flottants ou de bijoux. Ils pourraient être happés par les pièces en mouvement. Lors de travaux à l'extérieur, il est recommandé de porter des gants en caoutchouc et des chaussures à semelle anti-dérapante. Le cas échéant, attachez vos cheveux s'ils sont longs, ou couvrez vous la tête.

### Protection

Portez toujours des lunettes de protection. Portez des lunettes de protection et un masque pour protéger le visage si le travail exécuté produit de la poussière ou des copeaux volants. Portez des protections auditives.

### Protégez-vous des décharges électriques.

Veillez à ce que le corps n'entre pas en contact avec des surfaces reliées à la prise de masse ou de terre (par ex. tuyaux, radiateurs, cuisinières et réfrigérateurs). Utilisez un interrupteur de protection contre les courants de court-circuits à haute sensibilité (30 mA / 30 mS) pour améliorer la sécurité électrique.

### Adoptez une position confortable

Toujours tenir les deux pieds à terre et garder l'équilibre.

### Faites preuve de vigilance

Observez votre travail. Faites preuve de bon sens.

Ne pas employer l'outil en cas de fatigue.

## Fixez bien la pièce à travailler

Pour plus de sécurité, fixez la pièce à travailler avec un dispositif de serrage ou un étiau. Ainsi, vous aurez les deux mains libres pour manier l'outil.

### Branchez le dispositif d'extraction de poussière.

Si vous disposez de systèmes pour brancher les dispositifs d'extraction et de ramassage de poussière, assurez-vous qu'ils sont bien branchés et qu'ils fonctionnent correctement.

### Enlevez les clés et outils de réglage

Avant de mettre l'outil en marche, retirez les clés et outils de réglage.

### Rallonges

Vérifiez la rallonge avant de l'utiliser et remplacez-la en cas de dommage. Si vous souhaitez utiliser cet outil à l'extérieur, n'utilisez que des rallonges prévues à cet effet. Des rallonges Black & Decker de 30 m de longueur peuvent être utilisées sans perte de puissance.

### Utilisez l'outil adéquat

Le domaine d'utilisation de l'outil est décrit dans le présent manuel. Ne pas utiliser d'outils ou d'accessoires de trop faible puissance pour exécuter des travaux lourds. L'utilisation d'accessoires autres que ceux recommandés dans le présent manuel pourrait entraîner un risque de blessure. Ne forcez pas l'outil. N'utilisez jamais l'outil pour effectuer des travaux autres que ceux pour lesquels il a été conçu, par exemple n'utilisez pas les scies circulaires pour scier des branches d'arbres ou des bûches.

**Attention!** Utilisez l'outil conformément à sa destination.

### Contrôlez les dommages éventuels de votre outil

Avant d'utiliser l'outil et le câble d'alimentation, vérifiez soigneusement qu'ils ne sont pas endommagés. Vérifiez l'alignement des pièces en mouvement, leur prise et toute rupture de pièces, tout dommage des protections et des interrupteurs et toute autre condition pouvant affecter le fonctionnement de l'outil. Veillez à ce que l'outil fonctionne correctement et qu'il exécute les tâches pour lesquelles il est prévu. N'utilisez pas l'outil si une pièce est défectueuse. Ne pas utiliser l'outil si l'interrupteur marche/arrêt ne fonctionne pas. Faites réparer ou échangez toute pièce endommagée par un service de réparation agréé. Ne tentez jamais de le réparer vous-même.

### Retirez l'outil de la prise

Retirez l'outil de la prise lorsque l'outil n'est pas utilisé, avant de changer toute pièce de l'outil ou tout accessoire et avant de procéder à l'entretien.

### Évitez tout démarrage involontaire

Ne portez pas l'outil avec un doigt sur l'interrupteur marche/arrêt. Assurez-vous que l'outil est en position d'arrêt avant de le brancher.

### Ne tirez pas sur le câble d'alimentation

Ne portez jamais l'outil par le câble et ne tirez pas sur celui-ci pour le débrancher de la prise.

Préservez le câble de la chaleur, de l'huile et des arêtes tranchantes.

## Rangez vos outils dans un endroit sûr

Lorsque vous n'utilisez pas vos outils, rangez-les dans un endroit sec, fermé ou élevé, hors de portée des enfants.

## Entretenez vos outils avec soin

Maintenez vos outils affûtés et propres afin de travailler mieux et plus sûrement. Suivez les instructions d'entretien et de changement d'accessoires. Maintenez les poignées et les interrupteurs secs, propres et exempts d'huile et de graisse.

## Réparations

Cet outil est conforme aux conditions de sécurité requises. Les réparations devront uniquement être effectuées par des personnes qualifiées utilisant des pièces de rechange d'origine : en cas contraire, cela pourrait être très dangereux pour l'utilisateur.

## Sécurité électrique



L'outil est doublement isolé; par conséquent, une prise de terre n'est pas nécessaire. Vérifiez si la tension secteur correspond à la tension indiquée sur la plaque d'identification.

## Instructions de sécurité supplémentaires pour les taille-haies



Portez des lunettes de sécurité lorsque vous utilisez cet outil.



Portez des gants lorsque vous utilisez cet outil.



Portez des protections auditives lorsque vous utilisez cet outil.



Débranchez immédiatement le câble s'il est endommagé ou coupé.



N'exposez pas l'outil à la pluie ou à l'humidité.

- ◆ Veillez à garder le câble éloigné des lames lorsque vous utilisez cet outil.
- ◆ Si vous n'avez jamais utilisé de taille-haie, demandez de préférence à un utilisateur expérimenté de vous donner des instructions pratiques et étudiez également ce manuel.
- ◆ Ne touchez jamais les lames lorsque l'outil fonctionne.
- ◆ Ne tentez jamais de forcer sur les lames pour qu'elles s'arrêtent.
- ◆ Ne posez pas l'outil avant que les lames ne se soient complètement arrêtées.
- ◆ Vérifiez régulièrement si les lames ne sont pas endommagées ou usées.

N'utilisez pas l'outil lorsque les lames sont usées ou endommagées.

- ◆ Veillez à éviter les objets durs (par ex. fil de fer, clôtures) lorsque vous procédez à la taille. Si vous heurtez accidentellement un tel objet, éteignez immédiatement l'outil, débranchez-le et vérifiez qu'aucun dommage ne s'est produit.
- ◆ Si l'outil commence à vibrer de façon anormale, arrêtez-le immédiatement et vérifiez qu'aucun dommage ne s'est produit.
- ◆ Si l'outil cale, éteignez-le immédiatement. Débranchez l'outil avant d'essayer de retirer tout débris pouvant l'obstruer.
- ◆ Après utilisation, placez l'étui de protection fourni sur les lames. Rangez l'outil et veillez à ce que la lame ne soit pas découverte.
- ◆ Veillez à ce que les poignées et les protections sont toutes installées lorsque vous utilisez l'outil. N'utilisez pas un outil incomplet ou modifié de façon non autorisée.
- ◆ Ne permettez pas aux enfants d'utiliser l'outil.
- ◆ Si vous travaillez avec la poignée tournante, tenez l'outil éloigné de votre corps et de vos vêtements larges.
- ◆ Faites attention à la chute de débris lorsque vous taillez les côtés les plus hauts d'une haie.

## Caractéristiques

Cet outil comprend toutes ou certaines des caractéristiques suivantes.

1. Interrupteur de poignée
2. Interrupteur de mise en marche
3. Poignée tournante
4. Bouton de libération poignée
5. Lame
6. Etui de protection des lames

Pour votre confort, votre taille-haies est équipé des dispositifs suivants :

- ◆ Poignée innovante pour une taille confortable.
- ◆ Lames de découpe au laser et au diamant pour une meilleure qualité de coupe.
- ◆ Lames à double action pour des vibrations réduites.

## Utilisation

### Modification de la position de la poignée

**Attention !** Avant de modifier la position de la poignée tournante, assurez-vous que l'outil est bien éteint et débranché.

Faites tourner la poignée sur la position à angle droit (fig. A1 et A2)

Votre taille-haies vous touche alors avec la poignée en position avant. Pour faire tourner la poignée, procédez comme suit :

- ◆ Tenez la partie interne de l'outil d'une main.

- ◆ Appuyez sur le bouton de libération (4) avec votre pouce et tournez la poignée (3) vers l'arrière avec l'autre main.
- ◆ Placez la poignée complètement en position à angle droit. Assurez-vous que la poignée est bien enclenchée.

Faites tourner la poignée dans la position avant (fig. B1 et B2)

Pour faire passer la poignée de la position angle droit à la position avant, procédez comme suit :

- ◆ Tenez la partie interne de l'outil d'une main.
- ◆ Appuyez sur le bouton de libération (4) avec votre pouce et tournez la poignée (3) vers l'avant avec l'autre main.
- ◆ Placez la poignée complètement en position avant. Assurez-vous que la poignée est bien enclenchée.

### Branchement de l'outil au secteur

Si l'outil n'est pas équipé d'un câble au secteur, vous devez le brancher à la prise électrique à l'aide d'un fil de rallonge .

- ◆ Branchez la prise femelle d'un fil de rallonge adapté à l'entrée d'alimentation électrique de l'outil.
- ◆ Branchez la prise mâle du câble au secteur.

**Attention !** Le câble de rallonge doit être adapté pour le travail en extérieur. En cas d'utilisation d'un dévidoir, déroulez toujours le câble complètement.

### Mise en marche et arrêt

**Attention !** Laissez l'outil fonctionner à sa propre vitesse. Ne le surchargez pas.

- ◆ Guidez le câble avec soin pour ne pas le couper par mégarde. Passez le câble sur votre épaule pour le maintenir bien en place.
- ◆ Pour des raisons de sécurité, cet outil est équipé d'un système d'interrupteur double. Ce système empêche un démarrage involontaire de l'outil et ne permettra à l'outil de fonctionner que lorsqu'il est tenu des deux mains.

### Démarrage

Attention ! Assurez-vous que la poignée est bien enclenchée dans la position avant ou dans la position angle droit.

- ◆ Appuyez sur l'un ou l'autre des interrupteurs de la poignée (1).
- ◆ Appuyez sur l'interrupteur de mise en marche (2) pour faire démarrer l'outil.

### Arrêt

- ◆ Relâchez l'interrupteur de la poignée (1) ou l'interrupteur de mise en marche (2).

**Attention !** N'essayez jamais de bloquer l'interrupteur en position de marche.

### Conseils pour une utilisation optimale

- ◆ Commencez par tailler le haut de la haie. Inclinez légèrement l'outil (jusqu'à 15° par rapport à la ligne de coupe) afin que les extrémités des lames pointent légèrement vers la haie (fig. C1 & C3). Cela permettra aux lames de couper de façon plus efficace. Tenez l'outil à l'angle désiré et déplacez-le régulièrement le long de la ligne de coupe. La lame à double tranchant vous permet de couper dans les deux sens.
- ◆ Afin d'obtenir une coupe très droite, tendez un bout de ficelle sur la longueur de la haie à la hauteur désirée. Utilisez la ficelle comme guide, et coupez juste au-dessus d'elle.
- ◆ Pour obtenir des côtés plats, coupez la végétation de bas en haut. Les tiges plus jeunes vont vers l'extérieur lorsque la lame coupe de haut en bas et cela produit des trous sur la surface de la haie.
- ◆ Lorsque la poignée est en position avant, l'outil peut être utilisé pour couper les parties hautes d'une haie. Balancez l'outil d'un côté à l'autre dans un arc de cercle de 40° (fig. C2).
- ◆ Veillez à éviter tout corps étranger. Evitez en particulier tout objet dur tel que le fil de fer et les clôtures qui pourraient endommager les lames.
- ◆ Graissez régulièrement les lames.

### Quand tailler ?

- ◆ Taillez les haies à feuillage non persistant en juin et en octobre.
- ◆ Taillez les feuillages persistants en avril et en août.
- ◆ Les conifères peuvent être taillés toutes les 6 semaines de mai à octobre.

### Maintenance

Votre outil a été conçu pour fonctionner pendant longtemps avec un minimum d'entretien. Un fonctionnement continu satisfaisant dépend d'un nettoyage régulier et d'un entretien approprié de l'outil.

**Attention !** Avant d'effectuer tout entretien, éteignez et débranchez l'outil.

- ◆ Après utilisation, nettoyez soigneusement les lames. Après les avoir nettoyées, appliquez une fine couche d'huile de machine pour éviter que les lames ne rouillent.
- ◆ Nettoyez régulièrement les orifices de ventilation de votre outil à l'aide d'une brosse douce ou d'un chiffon sec.
- ◆ Nettoyez régulièrement le carter du moteur à l'aide d'un chiffon humide. N'utilisez pas de produit abrasif ou à base de solvant.

- ◆ Assurez-vous que les boutons de libération de la poignée et les interrupteurs sont bien propres avant et après utilisation.
- ◆ Rangez toujours l'outil avec la poignée en position avant.

## Dépannage

Si l'outil ne fonctionne pas correctement, contrôlez les points suivants :

Erreur	Cause possible	Action
L'outil ne démarre pas	Fusible fondu	Remplacez le fusible
	RCD déclenché	Vérifiez RCD
	Pas d'alimentation électrique.	Vérifiez l'alimentation du secteur.
	Poignée non bloquée.	Relâchez la poignée, puis remettez-la en place.

## Protection de l'environnement



Black & Decker fournit un dispositif permettant de recycler les produits Black & Decker lorsqu'ils ont atteint la fin de leur cycle de vie. Ce service est gratuit. Pour pouvoir profiter de ce service, veuillez retourner votre produit à un réparateur agréé qui se chargera de le collecter pour nous.

Pour connaître l'adresse du réparateur agréé le plus proche de chez vous, contactez le bureau Black & Decker à l'adresse indiquée dans ce manuel. Vous pourrez aussi trouver une liste des réparateurs agréés de Black & Decker et de plus amples détails sur notre service après-vente sur le site Internet à l'adresse suivante : [www.2helpU.com](http://www.2helpU.com).

## Caractéristiques techniques

	GT370	GT371
Tension	$V_{AC}$ 230	230
Puissance absorbée	W 300	300
Déplacement des lames (sans charge)	$min^{-1}$ 1.350	1.350
Longueur des lames	cm 50	60
Ecart des lames	mm 20	20
Délai d'arrêt des lames	s < 1,0	< 1,0
Poids (sauf cordon d'alimentation)	kg 2,6	2,7

## Déclaration de conformité CE

Black & Decker déclare que ces produits sont conformes à : 98/37/CEE, 89/336/CEE, 73/23/CEE, EN 50144, EN 55014, EN 61000,

2000/14/CEE, Taille-haies, ≤ 520 W, Annexe V

$L_{pA}$  (pression sonore) : 86 dB(A),  $L_{WA}$  (puissance acoustique) 100 dB(A),  $L_{WA}$  (garanti) 103 dB(A), poids de la vibration sur la main/bras < 2,5 m/s<sup>2</sup>

Kevin Hewitt  
 Directeur Ingénierie Client  
 Spennymoor, County Durham DL16 6JG,  
 Royaume Uni  
 1-10-2003

## Garantie

Black & Decker est confiant dans la qualité de ses produits et vous offre une garantie très étendue. Ce certificat de garantie est un document supplémentaire et ne peut en aucun cas se substituer à vos droits légaux. La garantie est valable sur tout le territoire des Etats Membres de l'Union Européenne et de la Zone de Libre Echange Européenne.

Si un produit Black & Decker s'avère défectueux en raison de matériaux en mauvaises conditions, d'une erreur humaine, ou d'un manque de conformité dans les 24 mois suivant la date d'achat, Black & Decker garantit le remplacement des pièces défectueuses, la réparation des produits usés ou cassés ou remplace ces produits à la convenance du client, sauf dans les circonstances suivantes :

- ◆ Le produit a été utilisé dans un but commercial, professionnel, ou a été loué.
- ◆ Le produit a été mal utilisé ou avec négligence.
- ◆ Le produit a subi des dommages à cause d'objets étrangers, de substances ou à cause d'accidents.
- ◆ Des réparations ont été tentées par des techniciens ne faisant pas partie du service technique de Black & Decker.

Pour avoir recours à la garantie, il est nécessaire de fournir une preuve d'achat au vendeur ou à un réparateur agréé. Pour connaître l'adresse du réparateur agréé le plus proche de chez vous, contactez le bureau Black & Decker à l'adresse indiquée dans ce manuel. Vous pourrez aussi trouver une liste des réparateurs agréés de Black & Decker et de plus amples détails sur notre service après-vente sur le site Internet à l'adresse suivante : [www.2helpU.com](http://www.2helpU.com).

Veuillez vous inscrire sur notre site Web [www.blackanddecker.com](http://www.blackanddecker.com) pour être informé des nouveaux produits et de nos offres spéciales. Pour plus d'informations concernant la marque Black & Decker et notre gamme de produits, consultez notre site [www.blackanddecker.com](http://www.blackanddecker.com).



## Uso previsto

Il taglia siepi Black & Decker è stato progettato per tagliare siepi, cespugli e fronde.

L'utensile è stato progettato per un uso individuale.

## Istruzioni di sicurezza

- ◆ **Attenzione!** Quando si adoperano utensili alimentati elettricamente, per ridurre il rischio di incendio, di scosse elettriche e danni a persone e cose è necessario seguire sempre alcune precauzioni di sicurezza basilari, incluso le seguenti:
  - ◆ Prima di adoperare l'utensile, leggere attentamente le istruzioni di cui al presente manuale.
  - ◆ Conservare queste istruzioni per successive consultazioni.
  - ◆ Prima di eseguire interventi di manutenzione, di assistenza o delle regolazioni, estrarre la spina dalla presa.

### Tenere pulita l'area di lavoro

Ambienti e banchi di lavoro in disordine possono essere causa d'incidenti.

### Tener presenti le caratteristiche dell'ambiente di lavoro

Non lasciare l'utensile sotto la pioggia. Non usare l'utensile in ambienti carichi di umidità. Tenere ben illuminata l'area di lavoro. Non usare l'utensile quando vi sia rischio di provocare un incendio o un'esplosione, per es. in luoghi con atmosfera gassosa o infiammabile.

### Tenere i bambini lontani dall'area di lavoro

Non permettere a bambini, ad altre persone o ad animali di avvicinarsi alla zona di lavoro, toccare l'utensile o il cavo di alimentazione.

### Usare il vestiario appropriato

Evitare l'uso di abiti svolazzanti, catenine, ecc. in quanto potrebbero rimanere impigliati nelle parti mobili dell'utensile. Lavorando all'aperto indossare guanti di gomma e scarpe con suole antiscivolo. Raccogliere i capelli se si portano lunghi.

### Protezione personale

Indossare occhiali di sicurezza. Indossare una mascherina contro la polvere ogni volta che l'uso dell'utensile provochi polvere o schegge. Indossare cuffie acustiche.

### Fare attenzione alle scosse elettriche

Evitare il contatto con le superfici messe a terra (ad esempio tubi, radiatori, cuocitori e refrigeratori). La sicurezza elettrica può essere ulteriormente ampliata utilizzando un dispositivo a corrente residua (RCD) ad alta sensibilità (30 mA / 30 mS).

### Non sbilanciarsi

Mantenere sempre un buon equilibrio evitando posizioni malsicure.

### Stare sempre attenti

Prestare attenzione a quanto si sta facendo. Usare il proprio buon senso. Non utilizzare l'utensile quando si è stanchi.

### Bloccare il pezzo da lavorare

Usare pinze o morse per bloccare il pezzo da lavorare.

Ciò aumenta la sicurezza e consente di mantenere entrambe le mani libere per operare meglio.

### Connettere l'apparecchiatura aspirapolvere

Se sono forniti i dispositivi per la connessione delle macchine per l'aspirazione e la raccolta della polvere, verificare che vengano collegati e utilizzati correttamente.

### Non lasciare sull'utensile chiavi o strumenti di misura

Prima di mettere in funzione l'utensile abbiate cura di togliere chiavi e altri strumenti.

### Prolunghe

Ispezionare la prolunga prima dell'uso e sostituirla se è danneggiata. Quando l'utensile viene impiegato all'esterno, usare unicamente le prolunghe per uso esterno. È possibile adoperare una prolunga Black & Decker fino a 30 m senza perdita di potenza.

### Adoperare l'utensile adatto alla situazione

L'utilizzo previsto è quello indicato nel presente manuale.

Non forzare utensili e accessori di potenza limitata impiegandoli per lavori destinati ad utensili di maggiore potenza. Non forzare l'utensile. L'attrezzo va utilizzato esclusivamente per l'uso cui è destinato; ad esempio una sega circolare non deve essere adoperata per tagliare rami o tronchi.

**Attenzione!** L'uso di accessori o attrezzature diversi o l'impiego del presente utensile per scopi diversi da quelli indicati nel presente manuale d'uso comportano il rischio di infortuni.

### Controllare che non vi siano parti danneggiate

Prima dell'uso, ispezionare accuratamente l'utensile e il cavo elettrico per rilevare eventuali danni. Controllare se ci sono parti non allineate o parti mobili con gioco, componenti rotti, danni alle protezioni o agli interruttori e qualsiasi altra condizione che possa incidere sul funzionamento dell'utensile. Accertare che l'utensile funzioni come previsto e che venga impiegato per lo scopo per cui è stato progettato. Non usare l'utensile se presenta elementi danneggiati o difettosi. Non impiegare l'utensile se non è possibile accenderlo e spegnerlo mediante l'interruttore. Eventuali componenti difettosi o danneggiati devono essere sostituiti o riparati da un tecnico autorizzato. Non tentare mai di effettuare delle riparazioni.

### Estrarre la spina dalla presa di alimentazione

Estrarre la spina dalla presa di alimentazione quando l'utensile non è in uso, prima di cambiare pezzi, accessori o complementi e prima di eseguire lavori di manutenzione.

### Evitare di avviare l'utensile quando non è necessario

Non portate l'utensile con il dito sull'interruttore. Prima di collegare l'utensile alla presa, verificare che sia spento.

### Non forzare il cavo di collegamento elettrico

Non sostenere mai l'utensile mediante il cavo né tirare quest'ultimo per estrarre la spina dalla presa. Mantenere il cavo lontano da fonti di calore, olio e spigoli taglienti.

**Conservazione dell'utensile dopo l'uso**

Quando non vengono usati, gli utensili vanno conservati in un luogo asciutto e inaccessibile (sottochiave o in alto), fuori dalla portata dei bambini.

**Mantenere l'utensile con cura**

Mantenere gli utensili da taglio affilati e puliti in modo da ottenere una miglior e più sicura resa. Seguire le istruzioni di manutenzione e cambio di accessori. Mantenere le impugnature e gli interruttori asciutti, puliti e senza tracce di olio o grassi.

**Riparazioni**

Questo utensile è conforme ai relativi requisiti di sicurezza. Le riparazioni devono essere eseguite soltanto da personale qualificato e con pezzi di ricambio originali, per evitare di esporre gli utenti a considerevoli rischi.

**Sicurezza elettrica**

Il doppio isolamento di cui è provvisto l'utensile rende superfluo il filo di terra. Controllare sempre che la tensione di alimentazione corrisponda a quella indicata sulla targhetta.

**Istruzioni addizionali di sicurezza per i taglia siepi**

Indossate sempre occhiali di protezione quando fate funzionare questo utensile.



Indossate guanti quando fate funzionare questo utensile.



Indossate sempre protezioni acustiche quando fate funzionare questo utensile.



Estrarre immediatamente il cavo dalla presa di corrente se è danneggiato o tagliato.



Non esponete l'utensile alla pioggia od a condizioni di alta umidità.

- ◆ Mantenere il cavo lontano dalle lame quando l'attrezzo è in funzione.
- ◆ Se non si è pratici di taglia siepi, oltre a studiare questo manuale è consigliabile chiedere istruzioni pratiche ad un esperto.
- ◆ Non toccare mai le lame mentre l'utensile è in funzione.
- ◆ Non cercare di fermare le lame.
- ◆ Non lasciare per terra l'utensile fino a che le lame non si sono completamente fermate.
- ◆ Controllare regolarmente che le lame non siano danneggiate o usurate. Non usare l'utensile se le lame sono usurate o danneggiate.
- ◆ Fare attenzione a non toccare oggetti duri (p.e. fili metallici, ringhieri) durante la tosatura.

Nel caso in cui si colpisca accidentalmente un oggetto di questo tipo, spegnere immediatamente l'utensile, disinserire la spina dalla presa e verificare che non abbia subito danni.

- ◆ Se l'utensile comincia a vibrare in modo anomalo, spegnerlo immediatamente per verificare eventuali danni.
- ◆ Se l'utensile si blocca, spegnerlo immediatamente. Disinserire la spina dell'utensile prima di tentare di rimuovere eventuali ostruzioni.
- ◆ Dopo l'uso, coprire le lame con la guaina in dotazione. Conservare l'utensile assicurandosi che la lama non sia esposta.
- ◆ Quando si usa l'attrezzo, verificare sempre che siano montate tutte le impugnature e le protezioni. Non tentare mai di utilizzare un attrezzo privo di alcuni componenti o che sia stato sottoposto a modifiche non autorizzate.
- ◆ Vietare ai bambini l'uso dell'attrezzo.
- ◆ Quando si adopera l'impugnatura rotante, mantenere l'unità lontana dal corpo e da eventuali capi di abbigliamento non aderenti.
- ◆ Attenzione alla caduta di detriti che si verifica quando si potano i lati alti di una siepe.

**Funzioni**

Quest'utensile ha alcune o tutte le funzioni elencate di seguito.

1. Interruttore sull'impugnatura
2. Interruttore a grilletto
3. Impugnatura rotante
4. Pulsante di sblocco impugnatura
5. Lama
6. Guaina della lama

Questo taglia siepi offre le seguenti funzioni:

- ◆ Impugnatura innovativa per un taglio confortevole;
- ◆ Lama a punta di diamante e a taglio laser, per un taglio perfetto;
- ◆ Lama a doppia azione per ridurre le vibrazioni;

**Uso****Modifica della posizione dell'impugnatura rotante**

**Attenzione!** Prima di cambiare la posizione dell'impugnatura rotante, accertare che l'utensile sia spento e che la spina sia disinserita dalla presa.

Rotazione dell'impugnatura ad angolo retto (fig. A1 e A2)

Il taglia siepi viene fornito con l'impugnatura in posizione avanzata. Per ruotare l'impugnatura, procedere come segue:

- ◆ Sostenere con una mano il lato inferiore dell'unità;
- ◆ Premere il pulsante di sblocco (4) con il pollice e ruotare l'impugnatura (3) indietro con l'altra mano;
- ◆ Mettere l'impugnatura in posizione ad angolo retto.

Assicurarsi che l'impugnatura si blocchi in posizione con uno scatto.

### Rotazione dell'impugnatura in posizione avanzata (fig. B1 e B2)

Per spostare l'impugnatura dalla posizione ad angolo retto a quella avanzata, procedere come segue:

- ◆ Sostenere con una mano il lato inferiore dell'unità;
- ◆ Premere il pulsante di sblocco (4) con il pollice e ruotare l'impugnatura (3) in avanti con l'altra mano;
- ◆ Spostare l'impugnatura in posizione completamente avanzata. Assicurarsi che l'impugnatura si blocchi in posizione con uno scatto.

### Collegamento dell'utensile alla presa di corrente

A meno che l'utensile non sia dotato di un cavo di alimentazione di rete, è necessario collegare una prolunga all'ingresso dell'alimentazione.

- ◆ Collegare all'ingresso dell'alimentazione dell'attrezzo la femmina di una prolunga adatta allo scopo.
- ◆ Inserire la spina di alimentazione principale in una presa di alimentazione di rete.

**Attenzione!** Utilizzare una prolunga per uso esterno. Se si utilizza un avvolgitore, estrarre il cavo per l'intera lunghezza.

### Accensione e spegnimento

**Attenzione!** Lasciare che l'utensile lavori al suo ritmo, senza sovraccaricarlo.

- ◆ Dirigere con attenzione il cavo per evitare di tagliarlo involontariamente. Per controllare meglio il cavo si consiglia di farlo passare sulla spalla.
- ◆ Per ragioni di sicurezza, questo utensile viene fornito con un sistema di doppi interruttori che ne impedisce l'avviamento accidentale e ne permette il funzionamento soltanto quando è impugnato con entrambe le mani.

#### Accensione

**Attenzione!** Verificare che l'impugnatura sia completamente bloccata in posizione avanzata o ad angolo retto.

- ◆ Spingere uno degli interruttori sull'impugnatura (1).
- ◆ Per avviare l'attrezzo, spingere l'interruttore a grilletto (2).

#### Spegnimento

- ◆ Rilasciare l'interruttore dell'impugnatura (1) o l'interruttore a grilletto (2).

**Attenzione!** Non tentare mai di bloccare l'interruttore in posizione di accensione.

### Consigli per un'ottima utilizzazione

- ◆ Iniziare tagliando la parte superiore della siepe. Inclinare leggermente l'utensile (fino a 15° rispetto alla linea di taglio) in modo che le punte della lama puntino verso la siepe (figg. C1 e C3). Questo accorgimento farà sì che le lame taglino più efficacemente. Mantenere l'utensile all'angolatura desiderata e spostarlo con decisione lungo la linea di taglio. La lama sui due lati consente di tagliare in qualsiasi direzione.
- ◆ Per ottenere un taglio dritto, usare una cordicella e fissarla all'altezza desiderata, lungo tutta la siepe. Usare la cordicella come guida, tagliando appena sopra di essa.
- ◆ Per ottenere fianchi pareggiati, tagliare verso l'alto nel senso della crescita. Quando la lama taglia verso il basso, i rami giovani si spostano verso l'esterno e ciò provoca dei buchi nella siepe.
- ◆ Con l'impugnatura in posizione avanzata, l'attrezzo può essere adoperato per tagliare i lati alti di una siepe. Spostare il tagliasiepi da lato a lato, descrivendo un arco di 40° (fig. C2).
- ◆ Fare attenzione ad evitare qualsiasi oggetto estraneo. Evitare, in particolare, oggetti duri come fili di metallo e ringhiere poiché potrebbero danneggiare le lame.
- ◆ Lubrificare le lame ad intervalli regolari.

### Quando tagliare

- ◆ In linea di massima le siepi con foglie stagionali si tagliano in giugno ed ottobre.
- ◆ I sempreverdi possono essere tagliati in aprile ed agosto.
- ◆ Conifere e altre siepi a crescita rapida possono essere tagliate ogni 6 settimane circa da maggio in avanti.

### Manutenzione

Questo utensile è stato progettato per funzionare a lungo con un minimo di manutenzione. Per ottenere prestazioni sempre soddisfacenti occorre avere cura dell'utensile e sottoporlo a manutenzione periodica.

**Attenzione!** Prima di eseguire qualsiasi intervento di manutenzione, spegnere l'utensile e disinserire la spina dalla presa.

- ◆ Dopo l'uso, pulire con cura le lame. Dopo averle pulite, applicare un po' d'olio per evitare che arrugginiscono.
- ◆ Le prese di ventilazione dell'utensile vanno pulite regolarmente con un pennello morbido o un panno asciutto.
- ◆ Il vano del motore va pulito regolarmente con un panno umido. Non usare materiali abrasivi o detersivi a base di solventi.
- ◆ Verificare, prima e dopo l'uso, che tutti gli interruttori e i pulsanti di sblocco dell'impugnatura siano privi di detriti.

- ◆ Il tagliasepi deve essere riposto sempre con l'impugnatura in posizione avanzata.

## Individuazione guasti

Se l'utensile non funziona correttamente, controllare quanto segue:

Avaria	Causa possibile	Azione
L'utensile non si mette in moto.	Fusibile bruciato.	Sostituire il fusibile.
	Dispositivo di corrente residua inceppato.	Controllare il dispositivo di corrente residua.
	Alimentazione principale non connessa.	Controllare l'alimentatore.
	Impugnatura non bloccata.	Sbloccare l'impugnatura e riposizionarla.

## Protezione dell'ambiente



Black & Decker offre ai suoi clienti la possibilità di riciclare i prodotti Black & Decker che hanno esaurito la loro vita di servizio. Il servizio viene offerto gratuitamente. Per utilizzarlo, è sufficiente restituire il prodotto a qualsiasi tecnico autorizzato, incaricato della raccolta per conto dell'azienda.

Per individuare il tecnico autorizzato più vicino, rivolgersi alla sede Black & Decker locale, presso il recapito indicato nel presente manuale. Altrimenti un elenco completo di tutti i tecnici autorizzati Black & Decker e i dettagli completi sui contatti e i servizi post-vendita sono disponibili su Internet presso: [www.2helpU.com](http://www.2helpU.com).

## Dati tecnici

	GT370	GT371
Tensione	V <sub>AC</sub> 230	230
Potenza assorbita	W 300	300
Corsa lama (senza carico)	min <sup>-1</sup> 1.350	1.350
Lunghezza lama	cm 50	60
Separazione lama	mm 20	20
Tempo di arresto lama	s < 1,0	< 1,0
Peso (escl. cavo di alimentazione)	kg 2,6	2,7

## Dichiarazione europea di conformità del macchinario

Black & Decker dichiara che i presenti prodotti sono conformi a:  
98/37/CEE, 89/336/CEE, 73/23/CEE, EN 50144, EN 55014,  
EN 61000,

2000/14/CEE, Tagliasepie, ≤ 520 W, Annex V

L<sub>TA</sub> (pressione sonora): 86 dB(A), L<sub>WA</sub> (apotenza acustica)  
100 dB(A), L<sub>WA</sub> (garantito) 103 dB(A), vibrazione misurata su  
braccio / mano < 2,5 m/s<sup>2</sup>

Kevin Hewitt  
Direttore tecnico prodotti di consumo  
Spennymoor, County Durham DL16 6JG,  
Regno Unito  
1-10-2003

## Garanzia

Certa della qualità dei suoi prodotti, Black & Decker offre una garanzia eccezionale. Il presente certificato di garanzia è complementare ai diritti statutari e non li pregiudica in alcun modo. La garanzia è valida entro il territorio degli Stati membri dell'Unione Europea e dell'EFTA (European Free Trade Area).

Se un prodotto Black & Decker risulta difettoso per qualità del materiale, della costruzione o per mancata conformità entro 24 mesi dalla data di acquisto, Black & Decker garantisce la sostituzione delle parti difettose, provvede alla riparazione dei prodotti se ragionevolmente usurati oppure alla loro sostituzione, in modo da ridurre al minimo il disagio del cliente a meno che:

- ◆ Il prodotto non sia stato destinato ad usi commerciali, professionali o al noleggio;
- ◆ Il prodotto non sia stato usato in modo improprio o scorretto;
- ◆ Il prodotto non abbia subito danni causati da oggetti o sostanze estranee oppure incidenti;
- ◆ Il prodotto non abbia subito tentativi di riparazione non effettuati da tecnici autorizzati né dall'assistenza Black & Decker.

Per attivare la garanzia è necessario esibire la prova comprovante l'acquisto al venditore o al tecnico autorizzato. Per individuare il tecnico autorizzato più vicino, rivolgersi alla sede Black & Decker locale, presso il recapito indicato nel presente manuale. Altrimenti un elenco completo di tutti i tecnici autorizzati Black & Decker e i dettagli completi sui contatti e i servizi post-vendita sono disponibili su Internet presso: [www.2helpU.com](http://www.2helpU.com).

Chi desidera essere aggiornato sui nuovi prodotti e le offerte speciali può registrarsi presso il sito Web [www.blackanddecker.it](http://www.blackanddecker.it). Ulteriori informazioni sul marchio Black & Decker e la nostra gamma di prodotti sono disponibili all'indirizzo [www.blackanddecker.it](http://www.blackanddecker.it).

## Gebruik volgens bestemming

Uw Black & Decker heggenchaar is bestemd voor het knippen van heggen, struiken en heesters.

Deze machine is uitsluitend bestemd voor consumentengebruik.

## Veiligheidsvoorschriften

- ◆ **Waarschuwing!** Bij het gebruik van elektrische machines dienen ter bescherming tegen brandgevaar, elektrische schokken, letsel en materiële schade altijd gepaste veiligheidsmaatregelen in acht te worden genomen, waaronder de volgende veiligheidsvoorschriften.
- ◆ Lees de gebruiksaanwijzing aandachtig door voordat u met de machine gaat werken.
- ◆ Bewaar deze instructies zorgvuldig!
- ◆ Neem de stekker uit het stopcontact alvorens instellingen, reparaties of onderhoudswerkzaamheden uit te voeren.

### Zorg voor een opgeruimde werkomgeving

Een rommelige werkomgeving leidt tot ongelukken.

### Houd rekening met omgevingsinvloeden

Stel de machine niet bloot aan regen. Gebruik de machine niet in een vochtige of natte omgeving. Zorg dat de werkomgeving goed is verlicht. Gebruik de machine niet op plaatsen waar brand- of explosiegevaar bestaat, b.v. in de buurt van brandbare vloeistoffen of gassen.

### Houd kinderen uit de buurt

Houd kinderen, bezoekers en dieren buiten het werkgebied en laat ze de machine of de elektriciteitskabel niet aanraken.

### Draag geschikte werkkleding

Draag geen wijde kleding of loshangende sieraden. Deze kunnen door de bewegende delen worden gegrepen. Draag bij het werken buitenshuis bij voorkeur rubber werkhandschoenen en schoenen met profielzolen. Houd lang haar bijeen.

### Persoonlijke bescherming

Draag altijd een veiligheidsbril. Draag een gezichts- of stofmasker bij werkzaamheden waarbij stofdeeltjes vrijkomen. Draag gehoorbescherming.

### Bescherming tegen elektrische schokken

Voorkom aanraking van geaarde oppervlakken (bijv. buizen, radiatoren, fornuizen en koelkasten). Elektrische veiligheid kan verder worden verbeterd met behulp van een hooggevoelige (30 mA / 30 mS) reststroomschakelaar (RCD).

### Zorg voor een veilige houding

Zorg altijd voor een juiste, stabiele houding.

### Blijf voortdurend oplettend

Houd uw aandacht bij uw werk. Ga met verstand te werk. Gebruik de machine niet als u niet geconcentreerd bent.

### Klem het werkstuk goed vast

Gebruik klemmen of een bankschroef om het werkstuk te fixeren. Dit is veiliger, bovendien kan de machine dan met beide handen worden bediend.

## Sluit de uitrusting van de stofafvoer aan

Indien hulpmiddelen zijn meegeleverd voor de aansluiting van stofafvoer en voorzieningen voor stofopvang, zorg dan dat deze zijn aangesloten en naar behoren worden gebruikt.

## Verwijder sleutels en hulpgereedschappen

Controleer vóór het inschakelen altijd of sleutels en andere hulpgereedschappen zijn verwijderd.

## Verlengsnoeren

Inspecteer voor gebruik het verlengsnoer. Vervang het snoer indien het beschadigd is. Maak bij gebruik buitenshuis uitsluitend gebruik van verlengsnoeren die geschikt zijn voor gebruik buitenshuis. Een Black & Decker verlengsnoer met een lengte tot 30 m kan worden gebruikt zonder verlies van vermogen.

## Gebruik de juiste machine

Het gebruik volgens bestemming is beschreven in deze handleiding. Gebruik geen te lichte machine of hulpstukken voor te zwaar werk. De machine werkt beter en veiliger indien u deze gebruikt voor het beoogde doel. Overbelast de machine niet. Gebruik de machine niet voor doeleinden waarvoor zij niet bestemd is; gebruik een cirkelzaag bijvoorbeeld niet voor het zagen van boomstronken.

**Waarschuwing!** Gebruik ter voorkoming van lichamelijk letsel uitsluitend de in deze gebruiksaanwijzing aanbevolen accessoires en hulpstukken. Gebruik de machine uitsluitend volgens bestemming.

## Controleer de machine op beschadigingen

Controleer de machine voor gebruik op schade. Controleer of alle bewegende delen correct gemonteerd zijn, of er geen onderdelen gebroken zijn, of er geen beschermkappen en schakelaars beschadigd zijn en of er andere gebreken zijn die invloed op de werking van de machine zouden kunnen hebben. Vergewis u ervan dat de machine correct werkt. Gebruik de machine niet als enig onderdeel defect is. Gebruik de machine niet als de aan/uit-schakelaar niet werkt. Defecte onderdelen dienen door een erkend servicecentrum te worden gerepareerd of vervangen. Probeer nooit om de machine zelf te repareren.

## De stekker uit het stopcontact verwijderen

Verwijder de stekker uit het stopcontact als u de machine niet gebruikt, voordat u gereedschappen, accessoires of onderdelen van de machine verwisselt en voordat u onderhoud aan de machine uitvoert.

## Voorkom onbedoeld inschakelen

Draag de machine niet met uw vingers aan de aan/uit-schakelaar. Wees ervan verzekerd dat de machine is uitgeschakeld voordat u de stekker in het stopcontact steekt.

## Misbruik het snoer niet

Draag de machine nooit aan het snoer. Trek niet aan het snoer om de stekker uit het stopcontact te verwijderen. Houd het snoer uit de buurt van warmtebronnen, olie en scherpe randen.

## Berg de machine veilig op

Indien niet in gebruik, dienen machines te worden opgeborgen in een droge, afsluitbare of hoge plaats, buiten bereik van kinderen.

## Onderhoud de machine met zorg

Houd snijgereedschappen scherp en schoon om beter en veiliger te kunnen werken. Houdt u aan de instructies met betrekking tot het onderhoud en het vervangen van accessoires. Houd de handgrepen en schakelaars droog en vrij van olie en vet.

## Reparaties

Deze machine voldoet aan de geldende veiligheidsnormen. Reparaties mogen uitsluitend worden uitgevoerd door bevoegde vakmensen en met behulp van originele reserveonderdelen; anders kan er een aanzienlijk gevaar voor de gebruiker ontstaan.

## Elektrische veiligheid



Deze machine is dubbel geïsoleerd; een aardaansluiting is daarom niet noodzakelijk. Controleer altijd of uw netspanning overeenkomt met de waarde op het typeplaatje.

## Aanvullende veiligheidsinstructies voor heggen scharen



Draag een veiligheidsbril als u deze machine bedient.



Draag handschoenen als u deze machine bedient.



Draag gehoorbescherming als u deze machine bedient.



Trek onmiddellijk de stekker uit het stopcontact als de kabel beschadigd raakt of wordt doorgezaagd.



Stel de machine niet bloot aan regen of overmatige vochtigheid.

- ◆ Houd de kabel tijdens het gebruik van deze machine uit de buurt van de messen.
- ◆ Als u nooit eerder met een heggenchaar heeft gewerkt, dient u bij voorkeur praktische aanwijzingen te vragen aan een ervaren gebruiker als aanvulling op het bestuderen van deze handleiding.
- ◆ Raak nooit de messen aan terwijl de machine werkt.
- ◆ Probeer nooit om de messen geforceerd tot stilstand te brengen.
- ◆ Zet de machine niet neer voordat de messen volledig tot stilstand zijn gekomen.
- ◆ Controleer de messen regelmatig op beschadiging en slijtage. Gebruik de machine niet als de messen versleten of beschadigd zijn.

- ◆ Vermijd contact met harde voorwerpen (bijv. staaldraad, tralielwerk) tijdens het knippen. Indien u per ongeluk een dergelijk voorwerp raakt, dient u de machine onmiddellijk uit te schakelen, de stekker uit het stopcontact te halen en de machine op schade te controleren.
- ◆ Indien de machine abnormaal begint te trillen, dient u deze onmiddellijk uit te schakelen en op schade te controleren.
- ◆ Indien de machine vast komt te zitten, dient u deze onmiddellijk uit te schakelen. Trek de stekker uit het stopcontact voordat u de obstakels probeert te verwijderen.
- ◆ Plaats na gebruik de meegeleverde beschermhuls over de messen. Zorg ervoor dat bij het opbergen van de machine de messen beschermd zijn.
- ◆ Zorg er altijd voor dat bij gebruik van deze machine alle handgrepen en veiligheidsvoorzieningen zijn aangebracht. Probeer nooit om een incomplete machine of een machine met niet goedgekeurde aanpassingen te gebruiken.
- ◆ Laat kinderen niet met de machine werken.
- ◆ Bij het bedienen van de roterende handgreep moet u het apparaat weghouden van uw lichaam en loshangende kleding.
- ◆ Let op vallende takken bij het knippen van de hoge kanten van een heg.

## Onderdelen

Al naar gelang de uitvoering beschikt deze machine over de volgende onderdelen.

1. Schakelaar in handgreep
2. Aan/uit-schakelaar
3. Roterende handgreep
4. Ontgrendelingsknop voor handgreep
5. Mes
6. Beschermhuls

Deze heggenchaar heeft de volgende voorzieningen voor uw gemak:

- ◆ Innovatieve handgreep voor comfortabel knippen.
- ◆ Lasergesneden en diamantgeslepen messen voor verbeterde snijwerking.
- ◆ Dubbelwerkende messen voor het verminderen van trillingen.

## Gebruik

### De stand van de roterende handgreep wijzigen

**Waarschuwing!** Zorg vóór het wijzigen van de stand van de roterende handgreep dat de machine is uitgeschakeld en de netstekker van het lichtnet is losgekoppeld.

De handgreep in de rechte stand draaien (fig. A1 & A2)  
Uw heggenchaar wordt geleverd met de handgreep in de voorste stand. Om de handgreep te draaien, gaat u als volgt te werk:

- ◆ Ondersteun de onderkant van het apparaat met een hand.
- ◆ Druk de ontgrendelingsknop (4) in met de duim en draai met de andere hand de handgreep (3) naar achteren.
- ◆ Zet de handgreep in de rechte stand. Zorg dat de handgreep vastklikt en vergrendelt.

### De handgreep in de voorste stand draaien (fig. B1 & B2)

Om de handgreep vanuit de rechte stand in de voorste stand te bewegen, gaat u als volgt te werk:

- ◆ Ondersteun de onderkant van het apparaat met een hand.
- ◆ Druk de ontgrendelingsknop (4) in met de duim en draai met de andere hand de handgreep (3) naar voren.
- ◆ Beweeg de handgreep volledig in de voorste stand. Zorg dat de handgreep vastklikt en vergrendelt.

### Aansluiten van de machine op het elektriciteitsnet

Als de machine niet is voorzien van een netkabel, moet u een verlengsnoer op de stekker van de machine aansluiten.

- ◆ Sluit een geschikt verlengsnoer aan op de stekker van de machine.
- ◆ Steek de stekker in een stopcontact.

**Waarschuwing!** Het verlengsnoer dient geschikt te zijn voor gebruik buitenshuis. Wanneer het verlengsnoer op een haspel zit, rol het snoer dan helemaal af.

### In- en uitschakelen

**Waarschuwing!** Laat de machine op haar eigen tempo werken. Niet overbelasten.

- ◆ Geleid de kabel zorgvuldig om te voorkomen dat u deze per ongeluk doorsnijdt. Een goede methode om de kabel te geleiden is door hem over uw schouder te hangen.
- ◆ Voor uw veiligheid is deze machine uitgevoerd met een dubbel schakelsysteem. Dit systeem voorkomt dat de machine per ongeluk wordt ingeschakeld en zorgt ervoor dat er alleen met de machine kan worden gewerkt als deze met beide handen wordt vastgehouden.

### Inschakelen

**Waarschuwing!** Zorg dat de handgreep volledig vergrendeld is in de voorste of de rechte stand.

- ◆ Knijp een van de handgreepschakelaars (1) in.
- ◆ Knijp de aan/uit-schakelaar (2) in om het apparaat te starten.

### Uitschakelen

- ◆ Laat de handgreepschakelaar (1) of de aan/uit-schakelaar (2) los.

**Waarschuwing!** Probeer nooit om de schakelaar in de ingeschakelde stand te vergrendelen.

### Tips voor optimaal gebruik

- ◆ Begin met het knippen van de bovenkant van de heg. Houd de machine een beetje schuin (tot 15° ten opzichte van de knijplijn) zodat de bladpunten lichtjes naar de heg wijzen (fig. C1 & C3). Hierdoor zullen de messen beter knippen. Houd de machine in de gewenste hoek en beweeg gelijkmatig langs de knijplijn. Door het dubbelzijdige mes kunt u in beide richtingen knippen.
- ◆ Om een mooie rechte lijn te verkrijgen, trekt u een stuk draad op de gewenste hoogte over de lengte van de heg. Gebruik het draad als een richtlijn en knip er iets boven.
- ◆ Om vlakke zijkanten te krijgen knijpt u naar boven met de groeirichting mee. Jongere stammen bewegen naar buiten toe indien u met het mes naar beneden knijpt. Dit leidt tot oneffenheden in de heg.
- ◆ Met de handgreep in de voorste stand kunt u het apparaat gebruiken om de hoge kanten van de heg te knippen. Beweeg het apparaat heen en weer in een boog van 40° (fig. C2).
- ◆ Vermijd contact met vreemde voorwerpen. In het bijzonder harde voorwerpen zoals staaldraad en traliwerk, aangezien deze de messen kunnen beschadigen.
- ◆ Olie regelmatig de bladen.

### Wanneer te snoeien

- ◆ De meeste heggen en struiken die hun bladeren verliezen kunnen in juni en oktober worden gesnoeid.
- ◆ Heggen en struiken die altijd groen blijven, kunnen in april en augustus worden gesnoeid.
- ◆ Coniferen en andere snelgroeiende struiken kunnen vanaf mei ongeveer om de 6 weken worden gesnoeid.

### Onderhoud

Uw machine is ontworpen om gedurende langere periode te functioneren met een minimum aan onderhoud. Voortdurend tevreden gebruik is afhankelijk van correct onderhoud en regelmatig schoonmaken.

**Waarschuwing!** Zorg vóór aanvang van onderhoudswerkzaamheden dat de machine is uitgeschakeld en de netstekker van het lichtnet is losgekoppeld.

- ◆ Reinig de messen na gebruik zorgvuldig. Breng na reiniging een dunne laag lichte machineolie aan om te voorkomen dat de messen gaan roesten.
- ◆ Reinig regelmatig de ventilatieopeningen van uw machine met een zachte borstel of een droge doek.
- ◆ Reinig regelmatig de behuizing van de motor met een vochtige doek. Gebruik geen schuur- of oplosmiddel.
- ◆ Zorg voor en na het gebruik dat alle handgreep-ontgrendelingsknoppen en schakelaars vrij zijn van snoeiafval.

- ◆ Berg het apparaat altijd op met de handgreep vergrendeld in de voorste stand.

## Storingen verhelpen

Controleer wanneer de zaag niet goed werkt het volgende:

Storing	Mogelijke oorzaak	Maatregel
Machine start niet.	Gesprongen zekering.	Vervang de zekering.
	RCD uitgeschakeld.	Controleer de RCD.
	Netsnoer niet aangesloten.	Controleer de netspanning.
	Handgreep niet vergrendeld.	Los de handgreep en klik hem opnieuw vast.

## Milieu



Black & Decker biedt de mogelijkheid tot recyclen van afgedankte Black & Decker producten. Deze service is kosteloos. Om gebruik van deze service te maken, dient u het product aan een van onze servicecentra te sturen, die voor ons de inzameling verzorgen.

U kunt het adres van het dichtstbijzijnde servicecentrum opvragen via de adressen op de achterzijde van deze handleiding. U kunt ook een lijst van onze servicecentra en meer informatie m.b.t. onze klantenservice vinden op het volgende Internet-adres: [www.2helpU.com](http://www.2helpU.com).

## Technische gegevens

	GT370	GT371
Spanning	V <sub>AC</sub> 230	230
Opgenomen vermogen	W 300	300
Schaarbewegingen (onbelast)	min <sup>-1</sup> 1.350	1.350
Meslengte	cm 50	60
Tandsteek	mm 20	20
Afremtijd van het mes	s < 1,0	< 1,0
Gewicht (zonder snoer)	kg 2,6	2,7

## EG-conformiteitsverklaring

Black & Decker verklaart dat deze producten in overeenstemming zijn met:

98/37/EEG, 89/336/EEG, 73/23/EEG, EN 50144, EN 55014, EN 61000,

2000/14/EEG, Heggenschaar, ≤ 520 W, Bijlage V

L<sub>PA</sub> (geluidsdruk): 86 dB(A), L<sub>WA</sub> (geluidsvermogen) 100 dB(A),

L<sub>WA</sub> (gegarandeerd) 103 dB(A), gewogen kwadratische gemiddelde waarde van de versnelling < 2,5 m/s<sup>2</sup>

Kevin Hewitt  
 Director of Consumer Engineering  
 Spennymoor, County Durham DL16 6JG,  
 Verenigd Koninkrijk  
 1-10-2003

## Garantie

Black & Decker heeft vertrouwen in zijn producten en biedt een uitstekende garantie. Deze garantiebepalingen vormen een aanvulling op uw wettelijke rechten en beperken deze niet. De garantie geldt in de lidstaten van de Europese Unie en de Europese Vrijhandelsassociatie.

Mocht uw Black & Decker product binnen 24 maanden na datum van aankoop defect raken tengevolge van materiaal- of constructiefouten, dan garanderen wij de kosteloze vervanging van defecte onderdelen, de reparatie van het product of de vervanging van het product, tenzij:

- ◆ Het product is gebruikt voor handelsdoeleinden, professionele toepassingen of verhuurdoeleinden;
- ◆ Het product onoordeelkundig is gebruikt;
- ◆ Het product is beschadigd door invloeden van buitenaf of door een ongeval;
- ◆ Reparaties zijn uitgevoerd door anderen dan onze servicecentra of Black & Decker personeel.

Om een beroep op de garantie te doen, dient u een aankoopbewijs te overhandigen aan de verkoper of een van onze servicecentra. U kunt het adres van het dichtstbijzijnde servicecentrum opvragen via de adressen op de achterzijde van deze handleiding. U kunt ook een lijst van onze servicecentra en meer informatie m.b.t. onze klantenservice vinden op het volgende Internet-adres: [www.2helpU.com](http://www.2helpU.com).

Meld u aan op onze website [www.blackanddecker.com](http://www.blackanddecker.com) om te worden geïnformeerd over nieuwe producten en speciale aanbiedingen. Verdere informatie over het merk Black & Decker en onze producten vindt u op [www.blackanddecker.com](http://www.blackanddecker.com).



## Finalidad

Su recortasetos Black & Decker ha sido diseñado para cortar setos, arbustos y zarzas. Esta herramienta está pensada únicamente para uso doméstico.

## Instrucciones de seguridad

- ◆ **¡Atención!** Cuando use herramientas eléctricas, debe seguir siempre las precauciones de seguridad básicas, incluidas las siguientes, a fin de reducir el riesgo de incendios, posibilidad de electrocutarse, lesiones personales y daños materiales.
- ◆ Lea completamente este manual antes de utilizar la herramienta.
- ◆ Mantenga a mano este manual para consultas posteriores.
- ◆ Desenchufe la herramienta de la red antes de realizar cualquier ajuste, reparación o mantenimiento.

### Mantenga limpia el área de trabajo

Un área o un banco de trabajo en desorden aumentan el riesgo de accidentes.

### Tenga en cuenta el entorno del área de trabajo

No exponga herramientas a la humedad. Procure que el área de trabajo esté bien iluminada. No utilice la herramienta donde exista riesgo de incendio o explosión, p. ej. en la proximidad de líquidos o gases inflamables.

### ¡Mantenga alejados a los niños!

No permita que niños, otras personas o animales se acerquen al área de trabajo ni toquen la herramienta o el cable de corriente.

### Vista ropa de trabajo apropiada

No lleve vestidos anchos ni joyas. Estos podrían ser atrapados por piezas en movimiento. Para trabajos en el exterior, se recomienda llevar guantes de goma y calzado de suela antideslizante. Si tiene el pelo largo, téngalo recogido y cubierto.

### Protección personal

Lleve gafas de protección. Utilice una mascarilla si el trabajo ejecutado produce polvo u otras partículas volantes. Lleve protectores para los oídos.

### Protéjase contra la posibilidad de electrocutarse

Evite que su cuerpo haga contacto con objetos conectados a tierra (p. ej. tuberías, radiadores, frigoríficos y electrodomésticos en general). Se puede incrementar la seguridad eléctrica utilizando disyuntores de alta sensibilidad (30 mA / 30 mS) para detectar corrientes de fuga.

### No alargue demasiado su radio de acción

Mantenga un apoyo firme sobre el suelo y conserve el equilibrio en todo momento.

### Esté siempre alerta

Mire lo que está haciendo. Use el sentido común. No maneje la herramienta cuando esté cansado.

### Sujete bien la pieza de trabajo

Utilice abrazaderas o un torno para sujetar la pieza de trabajo. Es más seguro que sujetarla con la mano y le permite utilizar ambas manos para manejar la herramienta.

### Conecte los accesorios para la extracción de polvo.

Si se suministran adaptadores para la conexión de accesorios extractores y para el almacenamiento del polvo, asegúrese de que se conectan y utilizan adecuadamente.

### Retire las llaves u otros utensilios fuera del área de trabajo

Antes de poner la herramienta en marcha, asegúrese de que las llaves y utensilios de reglaje hayan sido retirados.

### Cables alargadores

Revise el cable alargador antes de utilizarlo por si presenta desperfectos. Al utilizar las herramientas en exteriores, utilice exclusivamente aquellos cables prolongadores diseñados para estas condiciones. Puede utilizarse un cable alargador Black & Decker de hasta 30 m sin pérdida de potencia.

### Utilice la herramienta adecuada

En este manual se explica para qué uso está destinada la herramienta. No utilice herramientas o dispositivos acoplables de potencia demasiado débil para ejecutar trabajos pesados. La herramienta funcionará mejor y con mayor seguridad al ser utilizada de acuerdo con sus características técnicas.

No fuerce la herramienta. Utilice las herramientas para su uso previsto únicamente; por ejemplo, no use una sierra circular para cortar ramas o troncos de árbol.

**¡Atención!** El uso de otros accesorios, adaptadores, o la propia utilización de la herramienta en cualquier forma diferente de las recomendadas en este manual de instrucciones puede constituir un riesgo de lesiones a las personas.

### Compruebe que no haya piezas averiadas

Antes de usarla, compruebe cuidadosamente que la herramienta y el cable de corriente no presenten desperfectos. Compruebe la posible existencia de piezas móviles mal alineadas o atascadas, la rotura de piezas, el posible daño de protectores e interruptores y cualquier otro aspecto que pueda afectar al funcionamiento de la herramienta. Asegúrese de que la herramienta puede funcionar adecuadamente y cumplir con el cometido para el que ha sido diseñada. No use la herramienta si hay alguna pieza defectuosa o averiada. No utilice la herramienta si no es posible apagar y encender el interruptor. Encargue al servicio técnico autorizado que repare o sustituya las piezas defectuosas o averiadas. Jamás intente repararla usted mismo.

### Desenchufe la herramienta

Desenchufe la herramienta cuando no esté usando la herramienta, antes de sustituir piezas, accesorios o acoplamientos, y antes de efectuar revisiones.

### Evite un arranque involuntario

Procure no tocar el conmutador de encendido/apagado mientras transporta la herramienta. Asegúrese de que la herramienta esté apagada cuando la enchufe.

### Cuide el cable de alimentación

No arrastre la herramienta tirando del cable, ni tire del cable para desenchufarlo. Proteja el cable del calor, del aceite y de las aristas vivas.

## Guarde las herramientas que no utiliza

Cuando no las utilice, las herramientas deben guardarse en un lugar seco y cerrado o elevado, fuera del alcance de los niños.

## Mantenga las herramientas asiduamente

Mantenga sus herramientas afiladas y limpias para trabajar mejor y más seguro. Siga las instrucciones para el mantenimiento y la sustitución de accesorios. Mantenga los mandos y conmutadores secos, limpios y libres de aceite y grasa.

## Reparaciones

Esta herramienta cumple las normas de seguridad aplicables. Las reparaciones deben llevarse a cabo por personal cualificado, usando piezas de recambio originales; en caso contrario, podría ocasionarse un considerable riesgo para el usuario.

## Seguridad eléctrica



La herramienta lleva un doble aislamiento; por lo tanto no requiere una toma a tierra. Compruebe siempre que la tensión de la red corresponda con el valor indicado en la placa de datos de la herramienta.

## Instrucciones de seguridad adicionales para recortasetos



Lleve gafas protectoras cuando utilice esta herramienta.



Lleve guantes cuando utilice esta herramienta.



Lleve protectores para los oídos cuando utilice esta herramienta.



Desconecte inmediatamente el cable de la corriente principal si está dañado o cortado.



No exponga la herramienta a lluvia o humedad elevada.

- ◆ Mientras utilice esta herramienta, mantenga el cable alejado de las cuchillas.
- ◆ Si nunca ha usado un recortasetos, es preferible que solicite el consejo de algún usuario con experiencia, además de leer con atención este manual.
- ◆ Nunca toque las cuchillas mientras la herramienta esté funcionando.
- ◆ Nunca intente forzar las cuchillas para que se paren.
- ◆ No suelte la herramienta hasta que las cuchillas estén totalmente paradas.
- ◆ Revisar con regularidad las cuchillas por si estuvieran dañadas o desgastadas. No use la herramienta si las cuchillas están desgastadas o dañadas.
- ◆ Procure evitar los objetos duros (p.e. alambres, cercas) cuando esté recortando.

En caso de tocar accidentalmente algún objeto de ese tipo, apague y desconecte inmediatamente la herramienta y compruebe si está dañada.

- ◆ Si la herramienta empieza a vibrar de un modo anormal, desconéctela inmediatamente y compruebe si está dañada.
- ◆ Si la herramienta se atasca, desconéctela inmediatamente. Antes de intentar retirar cualquier elemento obstructor, desenchufe la herramienta.
- ◆ Después de usar la herramienta, cubra las cuchillas con la funda incluida. Guarde la herramienta, asegurándose de que la cuchilla no quede expuesta.
- ◆ Siempre que utilice la herramienta asegúrese de que todos los mangos y protecciones están montados. Nunca intente utilizar una herramienta incompleta o con modificaciones no autorizadas.
- ◆ No permita que los niños utilicen la herramienta, bajo ningún concepto.
- ◆ Cuando funcione con el mango rotatorio, mantenga la unidad alejada de su cuerpo y de ropa suelta.
- ◆ Preste atención a los restos que caigan cuando esté cortando los lados más altos del seto.

## Características

Esta herramienta incluye alguna o todas las características siguientes.

1. Interruptor de mango
2. Interruptor de gatillo
3. Mango rotatorio
4. Botón liberador del mango
5. Cuchilla
6. Funda de hojas

Para su beneficio, este recortacésped incorpora las características siguientes:

- ◆ Mango innovador para cortar cómodamente.
- ◆ Cuchillas de corte por láser y rectificadas con diamante para mejorar el corte.
- ◆ Cuchillas de doble acción para reducir vibraciones.

## Uso

### Cambio de la posición del mango rotatorio

**¡Atención!** Antes de cambiar la posición del mango rotatorio, asegúrese de que la herramienta está desconectada y desenchufada.

Gire el mango a la posición de ángulo recto (fig. A1 y A2).

El cortacésped llega hasta usted con el mango en posición de avance. Para girar el mango, proceda del modo siguiente:

- ◆ Sujete la parte inferior de la unidad con una mano.
- ◆ Presione el botón de liberación (4) con el pulgar y gire el mango (3) hacia atrás con la otra mano.

- ◆ Mueva el mango totalmente a la posición de ángulo recto. Asegúrese de que el mango encaje haciendo clic y de que quede bloqueado en su posición.

### Girando el mango a la posición de avance (fig. B1 y B2)

Para mover el mango desde la posición de ángulo recto a la posición de avance, proceda de la forma siguiente:

- ◆ Sujete la parte inferior de la unidad con una mano.
- ◆ Presione el botón de liberación (4) con el pulgar y gire el mango (3) hacia adelante con la otra mano.
- ◆ Mueva el mango totalmente a la posición de avance o delantera. Asegúrese de que el mango encaje haciendo clic y de que quede bloqueado en su posición.

### Conexión de la herramienta a la red eléctrica

A menos que la herramienta disponga de un cable de alimentación de corriente, será necesario disponer de un cable alargador para conectarla a la toma de corriente.

- ◆ Conecte el enchufe hembra de un cable alargador adecuado a la entrada de corriente de la herramienta.
- ◆ Inserte el enchufe de red en una toma de red.

**¡Atención!** El cable alargador debe ser adecuado para uso en exteriores. Si utiliza un carrete de cable, desenrolle siempre el cable completamente.

### Encendido y apagado

**¡Atención!** Deje que la herramienta funcione a su ritmo.

No lo sobrecargue.

- ◆ Guiar con cuidado el cable para evitar que se corte de manera accidental. Una buena forma de controlar el cable es colocarlo sobre el hombro.
- ◆ Para su seguridad, esta herramienta viene equipada con un sistema de doble interruptor. Este sistema evita que la herramienta se ponga en marcha accidentalmente y permite que funcione únicamente cuando se sujeta con las dos manos.

### Encendido

**¡Atención!** Asegúrese de que el mango está completamente encajado en la posición de avance o en la posición de ángulo recto.

- ◆ Apriete cualquier interruptor del mango (1).
- ◆ Apriete el interruptor de gatillo (2) para arrancar la herramienta.

### Apagado

- ◆ Suelte el interruptor del mango (1) o el interruptor de gatillo (2).

**¡Atención!** No intente nunca bloquear el interruptor en la posición de encendido.

### Consejos para un uso óptimo

- ◆ Comience recortando la parte superior del seto. Incline un poco la herramienta (unos 15° en relación con la línea de corte) de forma que las puntas de las cuchillas apunten ligeramente hacia el seto (fig. C1 & C3). Esto hará que las cuchillas corten con mayor efectividad. Sujete la herramienta en el ángulo deseado y muévala con firmeza a lo largo de la línea de corte. La cuchilla de doble filo le permite cortar en cualquier dirección.
- ◆ Para lograr un corte muy recto, coloque un cordel a lo largo del seto a la altura deseada. Use el cordel como guía, cortando justo por encima del mismo.
- ◆ Para lograr unos lados lisos, corte hacia arriba en el sentido del crecimiento. Los tallos más jóvenes se mueven hacia fuera cuando la cuchilla corta hacia abajo, ocasionando parches superficiales en el seto.
- ◆ Con el mango en la posición de avance, se puede usar la herramienta para cortar las partes elevadas del seto. Mueva la herramienta de lado a lado en un arco de 40° (fig. C2).
- ◆ Evite los objetos extraños. En particular, evite los objetos duros como el alambre y cercas ya que se pueden dañar las cuchillas.
- ◆ Engrase periódicamente las cuchillas.

### Cuando igualar el seto

- ◆ Como regla general, los setos y arbustos de hoja caduca (que sale todos los años) se deben igualar en junio y en octubre.
- ◆ Los setos de hoja perenne se deben igualar en abril y en agosto.
- ◆ Las coníferas y otros arbustos de crecimiento rápido se deben igualar cada 6 semanas aproximadamente, a partir de mayo.

### Mantenimiento

Su herramienta está diseñada para que funcione durante un largo período de tiempo con un mantenimiento mínimo.

El funcionamiento satisfactorio continuado depende de un cuidado apropiado y una limpieza periódica de la herramienta.

**¡Atención!** Antes de realizar cualquier tipo de mantenimiento, apague y desenchufe la herramienta.

- ◆ Después de usar la herramienta, limpie con cuidado las cuchillas. Una vez limpias, aplique una fina capa de algún lubricante suave para herramientas para evitar que las cuchillas se oxiden.

- ◆ Limpie periódicamente las ranuras de ventilación de la herramienta con un cepillo suave o un paño seco.
- ◆ Limpie periódicamente la carcasa del motor con un paño húmedo. No utilice ninguna sustancia limpiadora abrasiva o que contenga disolventes.
- ◆ Antes y después de usar la herramienta, asegúrese de que los botones de liberación del mango y los interruptores estén limpios de restos de materias.
- ◆ Guarde siempre la herramienta con el mango encajado en la posición de avance.

## Solución de problemas

Si la herramienta no funciona correctamente, compruebe lo siguiente:

Avería	Causa posible	Acción
La herramienta no se pone en marcha.	Fusible fundido.	Cambie el fusible.
	RCD desconectado	Compruebe RCD.
	Cable de corriente no conectado.	Compruebe la alimentación de corriente.
	Mango no encajado en posición.	Suelte el mango y vuelva a encajarlo correctamente en posición.

## Protección del medio ambiente



Black & Decker proporciona facilidades para el reciclado de los productos Black & Decker que hayan llegado al final de su vida útil. Este servicio se proporciona de forma gratuita. Para poderlo utilizar, le rogamos entregue el producto en cualquier servicio técnico autorizado quien se hará cargo del mismo en nuestro nombre.

Pueden consultar la dirección de su servicio técnico más cercano poniéndose en contacto con la oficina local de Black & Decker en la dirección que se indica en este manual. Como alternativa, se puede consultar en Internet, en la dirección siguiente, la lista de servicios técnico autorizados e información completa de nuestros servicios de postventa y contactos:

[www.2helpU.com](http://www.2helpU.com).

## Características técnicas

	GT370	GT371
Voltaje	V <sub>Ac</sub> 230	230
Potencia absorbida	W 300	300
Cortes de la cuchilla (sin carga)	min <sup>-1</sup> 1.350	1.350
Longitud de la cuchilla	cm 50	60
Separación de la cuchilla	mm 20	20
Tiempo de frenada de la cuchilla	s < 1,0	< 1,0
Peso (sin incluir cable de alimentación)	kg 2,6	2,7

## Declaración de conformidad CE

Black & Decker declara que estos productos están en conformidad con:

98/37/CEE, 89/336/CEE, 73/23/CEE, EN 50144, EN 55014, EN 61000,

2000/14/CE, Recortasetos, ≤ 520 W, Anexo V

L<sub>DA</sub> (presión de sonido): 86 dB(A), L<sub>WA</sub> (potencia acústica) 100 dB(A), L<sub>WA</sub> (garantizado) 103 dB(A), vibraciones soportadas en mano/brazo < 2,5 m/s<sup>2</sup>

Kevin Hewitt

Director de Ingeniería del Consumidor  
Spennymoor, County Durham DL16 6JG,  
Reino Unido  
1-10-2003

## Garantía

Black & Decker confía plenamente en la calidad de sus productos y ofrece una garantía extraordinaria. Esta declaración de garantía es una añadido, y en ningún caso un perjuicio para sus derechos estatutarios. La garantía es válida dentro de los territorios de los Estados Miembros de la Unión Europea y de los de la Zona Europea de Libre Comercio.

Si un producto Black & Decker resultará defectuoso debido a materiales o mano de obra defectuosos o a la falta de conformidad, Black & Decker garantiza, dentro de los 24 meses de la fecha de compra, la sustitución de las piezas defectuosas, la reparación de los productos sujetos a un desgaste y rotura razonables o la sustitución de tales productos para garantizar al cliente el mínimo de inconvenientes, a menos que:

- ◆ El producto haya sido utilizado con propósitos comerciales, profesionales o de alquiler;
- ◆ El producto haya sido sometido a un uso inadecuado o negligente;
- ◆ El producto haya sufrido daños causados por objetos o sustancias extrañas o accidentes;
- ◆ Se hayan realizado reparaciones por parte de personas que no sean los servicios de reparación autorizados o personal de servicios de Black & Decker;

Para reclamar en garantía, será necesario que presente la prueba de compra al vendedor o al servicio técnico de reparaciones autorizado. Pueden consultar la dirección de su servicio técnico más cercano poniéndose en contacto con la oficina local de Black & Decker en la dirección que se indica en este manual. Como alternativa, se puede consultar en Internet, en la dirección siguiente, la lista de servicios técnicos autorizados e información completa de nuestros servicios de postventa y contactos: [www.2helpU.com](http://www.2helpU.com).

Regístrese en nuestro sitio Web [www.blackanddecker.com](http://www.blackanddecker.com) para mantenerse al día sobre nuestros productos y ofertas especiales. Encontrará información adicional sobre la marca Black & Decker y nuestra gama de productos en [www.blackanddecker.com](http://www.blackanddecker.com).

## Utilização

O seu corta-sebes Black & Decker foi concebido para cortar sebes, arbustos e ramagens.

Esta ferramenta destina-se apenas ao doméstico.

## Instruções de segurança

- ◆ **Aviso!** Ao utilizar ferramentas eléctricas, é preciso seguir sempre as precauções básicas para a segurança, incluindo as detalhadas a seguir, para diminuir os riscos de incêndio, choque eléctrico, ferimentos pessoais e danos materiais.
- ◆ Leia atentamente este manual antes de utilizar a ferramenta.
- ◆ Guarde este manual para futura consulta.
- ◆ Remova a ficha da tomada antes de efectuar qualquer ajuste, reparação ou manutenção.

### Mantenha a área de trabalho arrumada

Áreas de trabalho desarrumadas podem implicar ferimentos.

### Cuide do ambiente da área de trabalho

Não deve expor ferramentas eléctricas à chuva, nem usá-las em locais húmidos ou molhados.

Mantenha a área de trabalho bem iluminada. Não utilize a ferramenta onde haja risco de fogo ou explosão, p.ex. em presença de líquidos ou gases inflamáveis.

### Mantenha as crianças afastadas

Não permita que crianças, visitantes ou animais cheguem perto da área de trabalho ou toquem na ferramenta ou no cabo eléctrico.

### Vista-se adequadamente

Não use roupas folgadas nem bijutaria pois podem ficar presas nas partes móveis da máquina. Quando se trabalha no exterior, aconselha-se o uso de luvas de borracha e de calçado antiderrapante. Se tiver o cabelo comprido apanhe-o ou use uma protecção.

### Protecção pessoal

Utilize óculos de protecção. Utilize óculos e máscara de protecção sempre que as operações possam produzir poeiras ou partículas que voem.

### Tenha cuidado com os choques eléctricos

Evite tocar em superfícies aterradas ou ligadas à terra, como por exemplo: canos, radiadores, fogões e frigoríficos. A segurança eléctrica pode ser melhorada mediante o uso de dispositivos de corrente residual (RCD) de alta sensibilidade (30 mA / 30 mS).

### Não se incline demasiadamente

Mantenha-se numa posição de pé e bem equilibrada.

### Mantenha-se atento

Dê atenção ao que vai fazendo. Seja cuidadoso. Não utilize ferramentas quando estiver cansado.

### Fixe a peça a trabalhar

Utilize grampos ou um torno para segurar as peças de trabalho. É mais seguro e permite manter as duas mãos livres para trabalhar.

## Coloque o equipamento de extracção de poeiras

Caso sejam fornecidos os dispositivos para a extracção e colecta de poeiras, assegure-se de que os mesmos estão correctamente ligados e são bem utilizados.

### Retire as chaves de aperto

Verifique sempre se as chaves de aperto foram retiradas da ferramenta antes de a utilizar.

### Extensões eléctricas

Antes de iniciar o uso, verifique o estado da extensão eléctrica e substitua-a se estiver danificada. Ao utilizar a ferramenta no exterior, utilize apenas extensões adequadas para este tipo de uso. Pode ser utilizado um cabo de extensão Black & Decker de 30 m.

### Utilize a ferramenta correcta

Neste manual indicam-se as aplicações da ferramenta. Não force pequenas ferramentas ou acessórios para fazer o trabalho dum ferramenta forte. A ferramenta trabalhará melhor e de uma maneira mais segura se for utilizada para o efeito indicado. Não force a ferramenta. Não utilize a ferramenta para fins diferentes dos previstos. Por exemplo, não utilize as serras circulares para cortar ramos de árvore ou lenha.

**Aviso!** O uso de qualquer acessório ou da própria ferramenta, além do que é recomendado neste manual de instruções pode constituir um risco para a segurança do utilizador.

### Verifique se há peças danificadas.

Antes de a utilizar, verifique cuidadosamente se a ferramenta e o cabo eléctrico não estão danificados. Verifique o tamanho das peças móveis e se as mesmas estão alinhadas; verifique se há alguma peça partida, se as protecções e os interruptores estão danificados, bem como quaisquer outras condições que possam afectar o funcionamento da ferramenta. Assegure-se de que a ferramenta funciona correctamente e de que está a desempenhar as funções para as quais foi projectada. Não utilize a ferramenta se houver alguma peça defeituosa. Não utilize a ferramenta se o interruptor de ligar/desligar não estiver a funcionar. Qualquer peça defeituosa deve ser reparada ou substituída por um técnico autorizado. Nunca tente efectuar qualquer reparação por sua conta.

### Desligue a ferramenta

Desligue a ferramenta quando não estiver em uso, antes de trocar qualquer peça da ferramenta, acessórios ou dispositivos e antes de a enviar para os serviços técnicos.

### Evite ligar sem intenção

Não transporte a ferramenta com um dedo sobre o interruptor de ligar/desligar. Assegure-se de que a ferramenta está desligada quando for ligá-la à tomada.

### Não force o cabo eléctrico

Nunca transporte a ferramenta pelo cabo ou puxe o mesmo para retirá-lo da tomada. Proteja o cabo contra o calor e evite o contacto com óleo e objectos cortantes.

### Guarde as ferramentas que não estiverem a ser utilizadas.

Quando não estiver em uso, as ferramentas deverão ser armazenadas em local seco, fechado ou alto, fora do alcance das crianças.

### Cuide das suas ferramentas com atenção

Mantenha as ferramentas cortantes afiadas e limpas para um melhor e mais seguro desempenho. Siga as instruções para a manutenção e a troca de acessórios. Mantenha os punhos e os interruptores secos, limpos e isentos de óleo e gordura.

### Reparações

Esta ferramenta cumpre os requisitos de segurança pertinentes. As reparações devem ser realizadas somente por pessoas qualificadas e as peças de reposição devem ser originais. A não observância disso poderá resultar em perigos consideráveis para os utilizadores.

### Segurança eléctrica



Esta ferramenta está duplamente vedada; assim não é necessário fio de terra. Certifique-se sempre de que o fornecimento de energia corresponde à voltagem indicada na placa de especificações.

### Instruções adicionais de segurança para corta-sebes



Utilize óculos de segurança durante o funcionamento da ferramenta.



Utilize luvas.



Utilize protector de ouvidos.



Desligue o cabo da tomada imediatamente se o mesmo estiver danificado ou cortado.



Não exponha a ferramenta à chuva e humidade excessiva.

- ◆ Mantenha o cabo longe das lâminas enquanto estiver a utilizar a ferramenta.
- ◆ Se você não utilizou um corta-sebes anteriormente, é preferível que peça instruções de uso a um utilizador experimentado além de estudar este manual.
- ◆ Nunca toque as lâminas enquanto a ferramenta estiver a funcionar.
- ◆ Nunca tente forçar a paralisação das lâminas.
- ◆ Não largue a ferramenta enquanto as lâminas não estiverem completamente paralisadas.
- ◆ Verifique se as lâminas estão danificadas ou desgastadas regularmente. Não utilize a ferramenta quando as lâminas estiverem gastas ou danificadas.

- ◆ Tome cuidado para evitar objectos duros (ex. cabo de metal, grades) enquanto estiver a cortar. Se atingir acidentalmente tais objectos, desligue imediatamente a ferramenta, retire a ficha e verifique se há algum dano.
- ◆ Se a ferramenta começar a vibrar de maneira anormal, desligue-a imediatamente e verifique se há algum dano.
- ◆ Se a ferramenta para, desligue-a imediatamente. Desligue a ferramenta antes de tentar remover qualquer obstrução.
- ◆ Após o uso, coloque o estojo de lâmina fornecido sobre as lâminas. Ao guardar a ferramenta, certifique-se de que a lâmina não fique exposta.
- ◆ Assegure-se sempre de que todos os punhos e resguardos de protecção estejam encaixados ao utilizar a ferramenta. Nunca tente utilizar ferramentas incompletas ou que contenham modificações não autorizadas.
- ◆ Não deixe que as crianças utilizem a ferramenta.
- ◆ Sempre que operar o punho rotativo, mantenha a unidade afastada do seu corpo e de vestuário solto.
- ◆ Tenha em atenção à queda de detritos aquando do corte de sebes grandes.

### Funções

Esta ferramenta inclui algumas ou todas as seguintes funções.

1. Interruptor no punho
2. Gatilho
3. Punho rotativo
4. Botão de libertação do punho
5. Lâmina
6. Estojo de lâmina

Este corta-sebes tem as seguintes funções:

- ◆ Punho inovador para um corte confortável.
- ◆ Corte a laser e lâminas afiadas de diamante para um corte melhorado.
- ◆ Lâminas de dupla acção para uma vibração reduzida.

### Utilização

#### Mudança de posição do punho rotativo

**Advertência!** Antes de tentar mudar a posição do punho rotativo, assegure-se de que a ferramenta esteja desligada e a ficha esteja fora da tomada eléctrica.

Rotação do punho para a posição em ângulo recto (fig. A1 & A2)

O seu corta-sebes irá alcançá-lo com o punho virado para a frente. Para rodar o punho, proceda da seguinte forma:

- ◆ Segure na parte de baixo da unidade com uma mão.
- ◆ Pressione o botão de libertação (4) com o polegar e rode o punho (3) para trás com a outra mão.

- ◆ Mova o punho completamente para a posição em ângulo recto. Certifique-se de que o punho faz clique e fica bloqueado na posição correcta.

## Rotação do punho para a posição frontal (fig. B1 & B2)

Para mover o punho para a posição frontal, proceda da seguinte maneira:

- ◆ Segure na parte de baixo da unidade com uma mão.
- ◆ Pressione o botão de libertação (4) com o polegar e rode o punho (3) para a frente com a outra mão.
- ◆ Mova o punho completamente para a posição frontal. Certifique-se de que o punho faz clique e fica bloqueado na posição correcta.

## Ligação da ferramenta à energia eléctrica

A menos que a ferramenta disponha de um cabo para ligação eléctrica, será preciso utilizar um cabo de extensão para ligá-la à tomada.

- ◆ Ligue a ficha fêmea de uma extensão eléctrica adequada à tomada de alimentação da ferramenta.
- ◆ Ligue a ficha à tomada da parede.

**Advertência!** A extensão eléctrica deve ser adequada para uso em ambientes externos. No caso de se usar uma bobina, desenrole o cabo todo.

## Ligar e desligar

**Advertência!** Deixe que a ferramenta funcione à vontade. Não o sobrecarregue.

- ◆ Guie o cabo cuidadosamente para evitar cortá-lo acidentalmente. Uma boa maneira de controlar o cabo consiste em colocá-lo sobre os ombros.
- ◆ Para sua segurança, esta ferramenta é equipada com um sistema de comutação. Este sistema previne que a ferramenta entre em funcionamento inadvertidamente e somente permitirá sua operação quando a ferramenta estiver segura com as duas mãos.

## Como ligar a ferramenta

**Advertência!** Certifique-se de que o punho está completamente bloqueado tanto na posição em ângulo recto como na frontal.

- ◆ Pressione ambos os interruptores do punho (1).
- ◆ Pressione o gatilho (2) para ligar a ferramenta.

## Como desligar a ferramenta

- ◆ Solte o interruptor do punho (1) ou o gatilho (2).

**Advertência!** Nunca tente travar a chave na posição ligada.

## Sugestões para uma melhor utilização

- ◆ Comece cortando o topo da sebe. Incline ligeiramente a ferramenta (até 15° relativamente à linha de corte) de maneira que a lâmina se incline ligeiramente em direcção à sebe (fig. C1 & C3). Isto fará com que as lâminas cortem mais eficazmente. Segure a ferramenta no ângulo desejado e mova-a firmemente junto à linha de corte. A lâmina de dois lados permite o corte em qualquer direcção.
- ◆ De modo a obter um corte bem recto, estire um pedaço de cordão ao longo do comprimento do sebe na altura desejada. Utilize o cordão como linha de direcção, cortando logo acima dele.
- ◆ De modo a obter lados planos, corte para cima com o crescimento. Os troncos jovens afastam-se quando a lâmina corta para baixo, causando partes rasas na sebe.
- ◆ Com o punho na posição frontal, a ferramenta pode ser utilizada para cortar grandes sebes. Mova a ferramenta lado a lado fazendo um arco de 40° (fig. C2).
- ◆ Tome cuidado para evitar qualquer objecto estranho. Evite especialmente objectos duros tais como cabo de metal e grades, uma vez que estes podem danificar as lâminas.
- ◆ Lubrifique regularmente as lâminas.

## Quando cortar

- ◆ Como guia geral, sebes e arbustos com folhas sazonais (novas todos os anos) podem ser aparadas em Junho e Outubro.
- ◆ As sebes de folha permanente podem ser aparadas em Abril e Agosto.
- ◆ As sebes de crescimento rápido podem ser acertadas de seis em seis semanas, a partir do mês de Maio.

## Manutenção

Esta ferramenta foi desenvolvida para funcionar por um longo período, com um mínimo de manutenção. O funcionamento contínuo e satisfatório depende da limpeza regular e cuidado adequado da ferramenta.

**Advertência!** Antes de qualquer procedimento de manutenção, desligue a ferramenta no interruptor e retire a tomada da corrente.

- ◆ Após o uso, limpe as lâminas cuidadosamente. Após a limpeza, aplique uma película de óleo de máquina para evitar que as lâminas enferrujem.
- ◆ Limpe regularmente as fendas de ventilação da ferramenta utilizando uma escova suave ou um pano seco.
- ◆ Limpe regularmente o compartimento do motor utilizando um pano húmido. Não utilize nenhum limpador abrasivo ou de base solvente.



- ◆ Certifique-se de que todos os botões de activação do punho e interruptores estão livres de detritos antes e após a utilização da ferramenta.
- ◆ Armazene sempre a ferramenta com o punho bloqueado a posição frontal.

2000/14/CEE, Corta-sebes, ≤ 520 W, Anexo V  
 $L_{pA}$  (pressão acústica): 86 dB(A),  $L_{WA}$  (potência acústica)  
 100 dB(A),  $L_{WA}$  (com garantia) 103 dB(A), vibração medida  
 da mão/braço de < 2,5 m/s<sup>2</sup>



Kevin Hewitt  
 Director de Engenharia do Consumo  
 Spennymoor, County Durham DL16 6JG,  
 Reino Unido  
 1-10-2003

## Resolução de problemas

Se a ferramenta não funcionar correctamente, verifique o seguinte.

Falha	Possível causa	Solução
A ferramenta não funciona.	Fusível queimado.	Substituir fusível.
	Falha no dispositivo de corrente residual (RCD).	Verifique este dispositivo.
	A corrente não está ligada.	Verifique a fonte de alimentação.
	Punho não bloqueado.	Active o punho e volte a posicioná-lo.

## Garantia

A Black & Decker confia na qualidade de seus produtos e oferece um programa de garantia excelente. Esta declaração de garantia soma-se aos seus direitos legais e não os prejudica em nenhum aspecto. A garantia será válida nos territórios dos Estados Membros da União Europeia e na Área de Livre Comércio da Europa.

Caso algum produto da Black & Decker apresente avarias devido a defeitos de material, mão-de-obra ou ausência de conformidade no prazo de 24 meses a partir da data de compra, a Black & Decker garantirá a substituição das peças defeituosas, a reparação dos produtos que foram submetidos a uso adequado e remoção ou substituição dos mesmos para assegurar o mínimo de inconvenientes ao cliente a menos que:

- ◆ O produto tenha sido utilizado para fins comerciais, profissionais ou aluguer;
- ◆ O produto tenha sido submetido a uso incorrecto ou descuido;
- ◆ O produto tenha sofrido danos causados por objectos estranhos, substâncias ou acidentes;
- ◆ Tenha um histórico de reparações efectuadas por terceiros que não sejam os agentes autorizados ou profissionais de manutenção da Black & Decker.

Para activar a garantia, será necessário enviar a prova de compra ao revendedor ou agente de reparação autorizado. Para verificar a localização do agente de reparação mais próximo de si contacte o escritório local da Black & Decker no endereço indicado neste manual. Se preferir, consulte a lista de agentes autorizados da Black & Decker e os dados completos de nossos serviços de atendimento pós-venda na Internet no endereço: [www.2helpU.com](http://www.2helpU.com).

Registe-se na nossa página da Internet em [www.blackanddecker.com](http://www.blackanddecker.com) para se manter actualizado sobre novos produtos e ofertas especiais. Estão disponíveis mais informações sobre a Black & Decker e sobre a nossa gama de produtos em [www.blackanddecker.com](http://www.blackanddecker.com).

## Protecção do meio ambiente



A Black & Decker oferece facilidades para a reciclagem de produtos Black & Decker uma vez que os mesmos tenham alcançado o final de suas vidas úteis. Este serviço é fornecido sem encargos. Para utilizá-lo, devolva o seu produto a qualquer agente de reparação autorizado, que se encarregará de recolher o equipamento em nosso nome.

Para verificar a localização do agente de reparação mais próximo de si, contacte o escritório local da Black & Decker no endereço indicado neste manual. Se preferir, consulte a lista de agentes autorizados da Black & Decker e os dados completos dos nossos serviços de atendimento pós-venda na Internet no endereço: [www.2helpU.com](http://www.2helpU.com).

## Dados técnicos

	GT370	GT371
Voltagem	$V_{AC}$ 230	230
Potência	W 300	300
Movimentos da lâmina (sem carga)	min-1 1.350	1.350
Comprimento da lâmina	cm 50	60
Distância entre lâminas	mm 20	20
Tempo de travagem da lâmina	s < 1,0	< 1,0
Peso (excl. cabo de alimentação)	kg 2,6	2,7

## Declaração de conformidade CE

A Black & Decker declara que estes produtos estão em conformidade com a:

98/37/CEE, 89/336/CEE, 73/23/CEE, EN 50144, EN 55014, EN 61000,

## Användningsområde

Din Black & Decker häcksax är konstruerad för klippning av häckar och buskar.

Verktyget är endast avsett som konsumentverktyg.

## Säkerhetsinstruktioner

- ◆ **Varning!** När man använder elverktyg är det viktigt att man bl.a. följer nedanstående säkerhetsanvisningar för att minska risken för brand, elektriska stötar, personskador och materialskador.
- ◆ Spara bruksanvisningen lättillgängligt.
- ◆ Ta ut kontakten ur vägguttaget före installationer, service eller underhåll.

## Håll arbetsområdet i ordning

Nedskräpade ytor och arbetsbänkar inbjuder till skador.

## Tänk på arbetsmiljöns inverkan

Utsätt inte verktyget för regn. Använd inte verktyget på fuktiga eller våta platser. Ha bra belysning över arbetsytan. Använd inte verktyget där det finns risk för eldsvåda eller explosion, t.ex. i närheten av lättantändliga vätskor eller gaser.

## Utom räckhåll för barn

Tillåt inte barn, besökande eller djur att komma i närheten av arbetsplatsen eller att röra vid verktyget eller sladden.

## Klä dig rätt

Bär inte löst hängande kläder eller smycken. De kan fastna i rörliga delar. Gummihandskar och halkfria skor rekommenderas vid utomhusarbeten. Använd hårnät om du har långt hår.

## Skyddskläder

Använd alltid skyddsglasögon. Använd ansiktsmask om arbetet förorsakar damm eller partiklar i luften. Använd hörselskydd.

## Eliminera risken för elektriska stötar

Undvik kroppskontakt med jordade ytor (t.ex. rör, värmeelement, vattenkokare och kylskåp). Elsäkerheten kan förbättras ytterligare genom användning av en jordfelsbrytare med hög känslighet (30 mA/30 mS).

## Sträck dig inte för mycket

Se till att du alltid har säkert fotfäste och balans.

## Var uppmärksam

Titta på det du gör. Använd sunt förnuft. Använd inte verktyget när du är trött.

## Sätt fast arbetsstycket

Använd skruvvingar eller ett skruvstycke för att hålla fast arbetsstycket. Det är säkrare än att använda handen och du får bägge händerna fria för arbetet.

## Anslut dammsugningsutrustning

Om möjligheter finns för anslutning av utrustning för dammsugning och dammupsamling ska sådan utrustning anslutas och användas på korrekt sätt. OBS! Anslut endast grovsugare.

## Tag bort nycklar

Kontrollera att nycklar och justerverktyg har tagits bort från verktyget innan det startas.

## Förlängningssladdar

Kontrollera förlängningssladden innan den används. Byt ut den om det behövs. Om verktyget används utomhus ska bara förlängningssladdar som är avsedda för utomhusbruk användas. Förlängningssladd upp till 30 meter kan användas utan att effekten avtar.

## Använd rätt verktyg

Använd inte verktyg för ändamål de inte är avsedda för. Tvinga inte verktyget att göra arbeten som är avsedda för kraftigare verktyg. Använd endast tillbehör och tillsatser som är rekommenderade i bruksanvisningen och katalogerna. Överbelasta inte verktyget. Använd till exempel inte cirkelsågar för att såga grenar eller ved.

**Varning!** Användning av annat verktyg eller tillbehör kan innebära risk för personskada.

## Kontrollera verktyget för skador

Kontrollera verktyget och sladden för skador innan du använder verktyget. Kontrollera att de rörliga delarna inte har fastnat eller är felmonterade. Kontrollera även att övriga delar och skydd inte är skadade och att det inte föreligger några andra fel som kan påverka verktygets funktion. Kontrollera att verktyget fungerar riktigt och kan utföra de avsedda funktionerna. Använd inte verktyget om fel uppstått på någon av dess delar. Använd inte verktyget om det inte kan kopplas till och från med strömbrytaren. Om fel uppstår skall delarna repareras eller bytas ut av en auktoriserad Black & Decker serviceverkstad. Försök aldrig reparera verktyget själv.

## Dra ur kontakten

Tag ur kontakten när verktyget inte är i bruk samt före byte av någon del av verktyget, tillbehör eller verktygsfästen eller innan serviceåtgärder utförs.

## Undvik oavsiktlig start

Bär aldrig verktyget med ett finger på strömbrytaren. Kontrollera att verktyget är avstängt innan du sätter i kontakten.

## Misshandla inte sladden

Bär aldrig verktyget i sladden och använd inte sladden för att dra ut kontakten. Utsätt inte sladden för värmekällor, olja eller skarpa kanter.

## Förvara verktyg säkert

När verktyget inte används ska det förvaras på ett torrt ställe, som antingen är låst eller högt beläget så att barn inte kan komma åt det.

## Sköt verktyget med omsorg

Håll verktyget rent och använd skarpa tillbehör för bättre prestanda och säkrare drift. Följ instruktionerna beträffande skötsel och byte av tillbehör. Håll handtagen och strömbrytare torra, rena och fria från olja och fett.

## Reparationer

Detta verktyg uppfyller gällande säkerhetskrav.

Reparationer ska utföras av en auktoriserad Black & Decker serviceverkstad som använder originaldelar, annars kan användaren utsättas för stor fara.

### Elektrisk säkerhet



Eftersom verktyget är dubbelisolerat behövs ingen jordledare. Kontrollera alltid att spänningen på nätet överensstämmer med den spänning som finns angiven på märkplåten.

### Extra säkerhetsföreskrifter för häcksaxar



Använd skyddsglasögon under arbetet med maskinen.



Använd handskar under arbetet med maskinen.



Använd hörselskydd under arbetet med maskinen.



Dra ut kontakten genast om sladden är skadad.



Undvik att exponera verktyget för regn och hög luftfuktighet.

- ◆ Håll sladden undan från knivarna när du använder verktyget.
- ◆ Om du aldrig har använt en häcksax förut rekommenderar vi att du ber en erfaren användare om praktiska råd, förutom att du noga läser igenom bruksanvisningen.
- ◆ Rör aldrig knivarna när verktyget är i drift.
- ◆ Försök aldrig tvinga knivarna att stanna.
- ◆ Lägg aldrig ifrån dig verktyget innan knivarna har stannat helt.
- ◆ Kontrollera knivarna regelbundet så att de inte blivit skadade eller slitna. Använd inte verktyget om knivarna är utslitna eller skadade.
- ◆ Var försiktig och undvik hårda föremål (t ex metalltrådar eller staket) när du klipper. Om du oavsiktligt stöter på hårda föremål skall verktyget omedelbart stängas av, kontakten dras ut och eventuella skador undersöks.
- ◆ Om verktyget börjar vibrera onormalt skall det omedelbart stängas av och eventuella skador undersöks.
- ◆ Om verktyget fastnar, stäng av det omedelbart. Drag ut kontakten innan du tar bort föremål som fastnat.
- ◆ Sätt på det medföljande knivskyddet på kniven efter arbetets slut. Se till att kniven är övertäckt när du ställer undan verktyget.
- ◆ Se alltid till att alla handtag och skydd är monterade när du använder verktyget. Försök aldrig använda ett verktyg där delar saknas eller otillåtna ändringar har utförts.
- ◆ Låt aldrig barn använda verktyget.

- ◆ Håll när du använder det roterande handtaget apparaten undan från kroppen och löst hängande kläder.
- ◆ Tänk på fallande rester när du klipper sidorna av en hög häck.

### Detaljbeskrivning

Verktyget har en del eller samtliga av nedanstående funktioner.

1. Greppströmbrytare
2. Strömbrytare
3. Roterande handtag
4. Handtagets frikopplingsknapp
5. Svärd
6. Knivskydd

Denna häcksax bjuder dig följande egenskaper:

- ◆ Innovativt handtag för bekväm klippning.
- ◆ Laserskurna och diamantslipade knivar för bättre snitt.
- ◆ Dubbelverkande knivar för reducerade vibrationer.

### Användning

#### Ändring av det roterande handtagets läge

**Varning!** Innan du flyttar det roterande handtaget måste du försäkra dig om att verktyget har stängts av och att kontakten dragits ur.

#### Vridning av handtaget till rätvinkligt läge (fig. A1 & A2)

Din häcksax leveras med handtaget i framåtriktat läge. Gör så här för att rotera handtaget:

- ◆ Håll apparatens undersida med ena handen.
- ◆ Tryck på låsknappen (4) med tummen och vrid handtaget (3) bakåt med andra handen.
- ◆ För handtaget helt till rätvinkligt läge. Kontrollera att det klickar fast på sin plats.

#### Vridning av handtaget till framåtriktat läge (fig. B1 & B2)

Gör så här för att flytta handtaget från rätvinkligt läge till framåtriktat läge:

- ◆ Håll apparatens undersida med ena handen.
- ◆ Tryck på låsknappen (4) med tummen och vrid handtaget (3) framåt med andra handen.
- ◆ Fäll handtaget helt framåt. Kontrollera att det klickar fast på sin plats.

#### Nätanslutning av verktyget

Om verktyget inte är försett med en nätsladd, måste en förlängningssladd kopplas till eluttaget.

- ◆ Anslut honkontakten på en lämplig förlängningssladd till verktygets eluttag.
- ◆ Sätt i kontakten i ett vägguttag.

**Varning!** Förlängningssladden måste vara avsedd för utomhusbruk. Om du använder en sladdvinda, vira alltid av hela sladden.

### Starta och stoppa verktyget

**Varning!** Låt maskinen arbeta i sin egen takt. Överbelasta inte maskinen.

- ◆ Var noga med hur du leder sladden så att du inte råkar skära i den. Ett bra sätt att ha kontroll över sladden är att lägga den över axeln.
- ◆ Av säkerhetsskäl är verktyget försett med ett dubbelt start/stoppssystem. Detta system förhindrar oavsiktlig start och innebär att häcksaxen måste manövreras med båda händerna för att fungera.

### Start

**Varning!** Kontrollera att handtaget är ordentligt spärrat i antingen framåt- eller rättvinkligt läge.

- ◆ Tryck in någon av greppströmbrytarna (1).
- ◆ Tryck på strömbrytaren (2) för att starta apparaten.

### Stopp

- ◆ Släpp greppströmbrytaren (1) eller strömbrytaren (2).

**Varning!** Försök aldrig låsa en strömbrytare i startläge.

### Råd för bästa resultat

- ◆ Börja med att klippa häckens ovansida. Luta häcksaxen något (upp till 15° mot snittlinjen) så att knivspetsarna riktas mot häcken (fig. C1 & C3). Detta gör att knivarna klipper mer effektivt. Håll verktyget i önskad vinkel och förflytta det lugnt och stadigt längs snittlinjen. Dubbelsidiga knivar tillåter klippning i båda riktningarna.
- ◆ För att kunna utföra rak klippning kan man spänna upp ett snöre på önskad höjd utmed häcken. Använd snöret som en riktlinje och klipp precis ovanför det.
- ◆ För att sidorna skall bli raka bör klippningen ske nerifrån och upp i den riktning häcken växer. Unga stammar böjer sig utåt om klippningen utförs i nedåtgående riktning och förorsakar tomma öppningar i häcken.
- ◆ Med handtaget i framåtläge kan apparaten användas till att klippa högre häckpartier. För apparaten från fram och åter i en 40° bäge (fig. C2).
- ◆ Var försiktig och undvik främmande föremål. Se särskilt till att undvika hårda föremål såsom metalltråd och staket, eftersom dessa kan skada knivarna.
- ◆ Smörj knivarna regelbundet.

### Skötsel

Ditt verktyg har tillverkats för att fungera under lång tid med ett minimum av underhåll. Med rätt underhåll och regelbunden rengöring behåller verktyget sin prestanda.

**Varning!** Vid underhåll och skötsel skall verktyget vara avstängt och sladden utdragen.

- ◆ Rengör noga knivarna efter varje användning. Efter rengöring skall knivarna täckas med ett fint lager smörjolja för att undvika att verktyget rostar.
- ◆ Rengör regelbundet verktygets luftintag med en mjuk borste eller torr trasa.
- ◆ Rengör kåpan regelbundet med en fuktig trasa. Använd aldrig rengöringsmedel med lösnings- eller slipmedel i.
- ◆ Kontrollera före och efter varje bruk att alla strömbrytare och spärrknappar för handtaget är fria från skräp.
- ◆ Förvara alltid verktyget med handtaget spärrat i framåtläge.

### Felsökning

Om verktyget inte fungerar korrekt, skall följande kontrolleras.

Fel	Möjlig orsak	Åtgärd
Verktyget startar inte.	Trasig säkring. Utlöst jordfelsbrytare. Ingen ström.	Byt säkring. Kontrollera jordfelsbrytaren. Kontrollera förbindelsen med elnätet.
	Handtaget inte spärrat.	Frigör handtaget och spärra det på nytt.

### Miljö



När din apparat är utsliten, skydda naturen genom att inte slänga det tillsammans med vanligt avfall. Lämna det till de uppsamlingsställen som finns i din kommun eller där du köpt apparaten.

### Tekniska data

	GT370	GT371
Spänning	V <sub>AC</sub> 230	230
Ineffekt	W 300	300
Knivslag (obelastad)	min <sup>-1</sup> 1.350	1.350
Svärdlängd	cm 50	60
Knivavstånd	mm 20	20
Knivarnas bromstid	s < 1,0	< 1,0
Vikt (utan nätsladd)	kg 2,6	2,7

## EC-förklaring om överensstämmelse

Black & Decker förklarar att dessa produkter överensstämmer med:

98/37/EEG, 89/336/EEG, 73/23/EEG, EN 50144, EN 55014, EN 61000,

2000/14/EEG, Häcksax,  $\leq 520$  W, Annex V

$L_{PA}$  (bullernivå): 86 dB(A),  $L_{WA}$  (akustisk effekt) 100 dB(A),  
 $L_{WA}$  (garanterad) 103 dB(A), vägt geometriskt medelvärde av vibrationsfrekvensen hand/arm  $< 2,5$  m/s<sup>2</sup>



Kevin Hewitt  
 Director of Consumer Engineering  
 Spennymoor, County Durham DL16 6JG,  
 Storbritannien  
 1-10-2003

För att utnyttja garantin skall produkten och inköpskvittot lämnas till återförsäljaren eller till en auktoriserad verkstad senast 2 månader efter det att felet har upptäckts. För information om närmaste auktoriserad verkstad; kontakta det lokala Black & Decker kontoret på den adress som är angiven i bruksanvisningen. En lista på alla auktoriserade verkstäder samt servicevillkor finns även tillgängligt på Internet, adress: **www.2helpU.com**.

Var god registrera dig på vår webbsajt **www.blackanddecker.com** för att erhålla information om nya produkter och specialerbjudanden. Vidare information om märket Black & Decker och vårt produktsortiment kan återfinnas på **www.blackanddecker.com**.

## Reservdelar / reparationer

Reservdelar finns att köpa hos auktoriserade Black & Decker verkstäder, som även ger kostnadsförslag och reparerar våra produkter.

Förteckning över våra auktoriserade verkstäder finns på Internet, vår hemsida **www.blackdecker.se** samt **www.2helpU.com**.

## Garanti

Black & Decker garanterar att produkten är fri från material- och/eller fabriktionsfel vid leverans till kund. Garantin är i tillägg till konsumentens lagliga rättigheter och påverkar inte dessa. Garantin gäller inom medlemsstaterna i Europeiska Unionen och i det Europeiska Frihandelsområdet.

Om en Black & Decker produkt går sönder på grund av material- och/eller fabriktionsfel eller brister i överensstämmelse med specifikationen, inom 24 månader från köpet, åtar sig Black & Decker att reparera eller byta ut produkten med minsta besvär för kunden.

Garantin gäller inte för fel som beror på:

- ◆ normalt slitage
- ◆ felaktig användning eller skötsel
- ◆ att produkten skadats av främmande föremål, ämnen eller genom olyckshändelse

Garantin gäller inte om reparation har utförts av någon annan än en auktoriserad Black & Decker verkstad.

## Bruksområder

Din Black & Decker heksaks er konstruert for å klippe hekker og busker.

Verktøyet er tiltenkt kun som konsumentverktøy.

## Sikkerhetsinstruksjoner

- ◆ **Advarsel!** Ved bruk av elektroverktøy, må du alltid følge en del grunnleggende sikkerhetsregler, inkludert følgende, for å redusere faren for brann, elektrisk støt, personskade og materialskade.
- ◆ Ta deg tid til å lese nøye gjennom bruksanvisningen før du begynner å bruke verktøyet.
- ◆ Oppbevar bruksanvisningen på et lett tilgjengelig sted.
- ◆ Trekk støpset ut av kontakten før du utfører justeringer, service eller vedlikehold.

### Hold arbeidsområdet rent og ryddig

En uryddig arbeidsplass innbyr til skader.

### Tenk på arbeidsmiljøets innvirkning

Utsett ikke verktøyet for regn. Bruk ikke verktøyet under våte eller fuktige forhold. Pass på at arbeidsområdet er godt opplyst. Bruk ikke verktøyet hvor det er fare for forårsaking av brann eller en eksplosjon, f. eks. i nærheten av brannfarlige væsker eller gasser.

### Hold barn unna

Ikke la barn, besøkende eller dyr komme i nærheten av arbeidsområdet eller berøre verktøyet eller strømkabelen.

### Kle deg riktig

Ha ikke på deg løstsittende klær eller smykker. De kan sette seg fast i de bevegelige delene. Vi anbefaler gummihansker og sko som ikke glir når du arbeider utendørs. Bruk hårnett hvis du har langt hår.

### Personlig vern

Bruk vernebriller. Bruk en ansikts- eller støvmaske når operasjonen kan forårsake støv eller flyvende partikler. Bruk øreværn.

### Vern mot elektrisk støt

Unngå kroppskontakt med jodede overflater (f. eks. rør, radiatorer, komfyrer og kjøleskap). Strømsikkerheten kan forbedres ytterligere ved bruk av jordfeilbryter med høy følsomhet (30 mA/30 mS).

### Strekk deg ikke for langt

Pass på at du alltid har sikkert fotfeste og balanse.

### Vær oppmerksom

Se på det du gjør. Bruk sunn fornuft. Bruk ikke maskinen når du er trett.

### Sikre arbeidsstykker

Bruk tvinger eller skrustikker til å feste arbeidsstykket med. Dette er sikrere enn å bruke hånden, og du får begge hendene fri til å styre verktøyet.

## Kople til støvutsugststyr

Hvis det følger med utstyr for tilkoping av støvutsug og støvoppsamling, må du sørge for at dette koples til og brukes riktig. Obs! Benytt kun grovsugere!

### Fjern nøkler

Gjør det til vane å sjekke om nøkler og justeringsverktøy er fjernet før verktøyet startes.

### Skjøteledninger

Før bruk må du kontrollere skjøteledningen og bytte den ut hvis den er skadet. Når du bruker verktøyet utendørs, må du kun bruke skjøteledninger beregnet for utendørs bruk. Skjøteledning på opptil 30 m kan brukes uten effekttap.

### Bruk riktig verktøy

Bruk ikke verktøyet til formål det ikke er ment for. Tving ikke en maskin til å gjøre arbeid som krever kraftigere verktøy. Bruk bare tilbehør og utstyr som anbefales i bruksanvisningen og i katalogene. Overbelast ikke verktøyet. For eksempel skal sirkelsager ikke brukes til å sage grener eller ved.

**Advarsel!** Bruk av annet verktøy eller tilbehør kan medføre en mulig risiko for personskade.

### Sjekk verktøyet for skader

Kontroller verktøyet og strømledningen grundig for skade før bruk. Se etter feiljusteringer, om deler har satt seg fast eller har gått i stykker, skadede deksler og brytere eller andre forhold som kan påvirke bruken av verktøyet. Kontroller at verktøyet fungerer som det skal og utfører beregnet funksjon. Bruk aldri verktøyet hvis noen av delene er skadet. Ikke bruk verktøyet hvis det ikke er mulig å slå det på og av med strømbryteren. Hvis noen av delene er skadet så få de reparert eller byttet ut av et autorisert Black & Decker serviceverksted. Prøv aldri å reparere selv.

### Trekk ut støpset

Trekk ut støpset når verktøyet ikke er i bruk, før du bytter noen av delene på verktøyet, tilbehør eller tilslutning og før vedlikehold.

### Unngå utilsiktet start

Bær aldri verktøyet med fingeren på strømbryteren. Pass på at verktøyet er slått av når du setter i støpset.

### Ikke mislighold ledningen

Ikke bær verktøyet etter ledningen eller trekk i ledningen når du skal ta ut støpset. Utsett ikke ledningen for varme, olje, eller skarpe kanter.

### Oppbevar verktøy på et trygt sted

Når verktøyet ikke er i bruk, bør det oppbevares på et tørt sted som er låst eller høyt oppe, utenfor barns rekkevidde.

### Vær nøye med vedlikeholdet

Hold verktøyet rent og bruk skarpe tilbehør for bedre prestasjon og sikrere drift. Følg forskriftene når det gjelder vedlikehold og skifte av tilbehør. Hold håndtakene og brytere tørre, rene og fri for olje og fett.

### Reparasjoner

Dette verktøyet overholder relevante sikkerhetskrav.

Reparasjoner må bare utføres av autoriserte Black & Decker serviceverksteder som benytter originale reservedeler, ellers kan det være farlig å bruke utstyret.

### Elektrisk sikkerhet



Dette verktøyet er dobbeltisolert. Jordet ledning er derfor ikke nødvendig. Kontroller at nettspenningen er i overensstemmelse med spenningen på typeskiltet.

### Ekstra sikkerhetsinstruksjoner for hekksakser



Ha på deg vernebriller når du bruker dette verktøyet.



Ha på deg hansker når du bruker dette verktøyet.



Ha på deg ørevern når du bruker dette verktøyet.



Trekk ut kontakten umiddelbart hvis ledningen er skadet eller avkuttet.



Utsett ikke verktøyet for regn eller høy fuktighet.

- ◆ Pass på at ikke ledningen kommer i kontakt med knivene når du bruker verktøyet.
- ◆ Hvis du ikke har brukt en hekksaks før, bør du be om praktisk veiledning fra en erfaren bruker i tillegg til å lese denne bruksanvisningen.
- ◆ Rør aldri knivene så lenge verktøyet er i gang.
- ◆ Prøv aldri å tvinge knivene til å stoppe.
- ◆ Legg ikke verktøyet fra deg før knivene har stoppet fullstendig.
- ◆ Sjekk knivene regelmessig for skade og slitasje. Ikke bruk verktøyet når knivene er slitte eller skadet.
- ◆ Pass på å unngå harde gjenstander (f.eks. ståltråd, gjerder) når du klipper. Skulle du allikevel komme borti harde gjenstander, slår du verktøyet av med én gang, trekker ut støpslet og sjekker om verktøyet er blitt skadet.
- ◆ Hvis verktøyet begynner å vibrere på en unormal måte, slår du det av med en gang og sjekker om det er blitt skadet.
- ◆ Hvis verktøyet blokkeres, må du slå det av med en gang. Trekk ut støpslet før du prøver å fjerne det som har satt seg fast.
- ◆ Sett beskyttelsen som følger med, over knivene etter bruk. Pass på at sverdet er dekket til under oppbevaring.
- ◆ Forsikre deg alltid om at alle hendler og vern er montert når du bruker verktøyet. Prøv aldri å bruke et ufullstendig verktøy eller et verktøy det er gjort ulovlige endringer på.
- ◆ La aldri barn få bruke verktøyet.

- ◆ Når du beveger det dreibare håndtaket, må du passe på å holde verktøyet i god avstand fra kroppen og fra løstsittende klær.
- ◆ Vær oppmerksom på fallende avskjær når du klipper høyt opp på hekker.

### Funksjoner

Dette verktøyet har noen av eller alle følgende funksjoner:

1. Håndtakbryter
2. Strømbryter
3. Dreibart håndtak
4. Håndtakets frigjøringsknapp
5. Kniv
6. Bladbeskyttelse

Denne hekksaksen har følgende funksjoner:

- ◆ Nyskapende håndtak for komfortabel klipping.
- ◆ Laserskårne og diamantslipte blader for forbedret kutting.
- ◆ Dobbeltvirkende blader som gir redusert vibrasjon.

### Bruk

#### Endre posisjon for det dreibare håndtaket

**Advarsel!** Før du endrer posisjon for det dreibare håndtaket, må du passe på at verktøyet er slått av, og at støpslet er trukket ut.

#### Drei håndtaket i rettvinglet stilling (fig. A1 og A2)

Hekksaksen når lengst med håndtaket i fremre posisjon.

Gjør slik når håndtaket skal dreies:

- ◆ Støtt opp undersiden av hekksaksen med den ene hånden.
- ◆ Trykk på frigjøringsknappen (4) med tommelen og drei håndtaket (3) bakover med den andre hånden.
- ◆ Flytt håndtaket til det står i rett vinkel til verktøyet. Pass på at håndtaket klikker og låses på plass.

#### Drei håndtaket til fremre posisjon (fig. B1 og B2)

Slik flytter du håndtaket fra vinkelrett posisjon til fremre posisjon:

- ◆ Støtt opp undersiden av hekksaksen med den ene hånden.
- ◆ Trykk på frigjøringsknappen (4) med tommelen og drei håndtaket (3) forover med den andre hånden.
- ◆ Flytt håndtaket til fremre posisjon. Pass på at håndtaket klikker og låses på plass.

#### Kople verktøyet til strømtilførsel

Med mindre verktøyet er utstyrt med en strømkabel, må du kople en skjøteledning til strøminntaket.

- ◆ Kople hunnpluggen på en egnet skjøteledning til strøminntaket på verktøyet.
- ◆ Sett støpslet inn i et strømuttak.

**Advarsel!** Skjøteledningen må være egnet for utendørs bruk. Hvis du bruker en kabeltrommel, må du alltid vikle ut hele ledningen.

## Strømbryter

**Advarsel!** La verktøyet jobbe med sin egen hastighet. Ikke overbelast det.

- ◆ Før ledningen forsiktig, slik at du unngår å kappe den over ved et uhell. Det kan være lurt å henge ledningen over skulderen.
- ◆ For din egen sikkerhets skyld er dette verktøyet utstyrt med et dobbelt startesystem. Dette systemet forhindrer at en ufrivillig starter verktøyet, og vil bare tillate drift når verktøyet blir holdt med begge hender.

Slå på

**Advarsel!** Pass på at hendelen er låst helt i enten fremre eller vinkelrett posisjon.

- ◆ Klem inn en av håndtakbryterne (1).
- ◆ Klem på strømbryteren (2) for å starte verktøyet.

Slå av

- ◆ Slipp håndtakbryteren (1) på strømbryteren (2).

**Advarsel!** Prøv aldri å låse en strømbryter i startstilling.

## Råd for optimalt resultat

- ◆ Start med å klippe toppen av hekken. Sett verktøyet litt på skrå (opp til 15° i relasjon til kuttlinjen) slik at knivspissene peker svakt mot hekken (fig. C1 og C3). Dette vil gjøre at knivene klipper mer effektivt. Hold verktøyet i den ønskede vinkelen, og beveg det jevnt langs kuttlinjen. Den dobbeltvirkende kniven lar deg klippe i begge retninger.
- ◆ For å klippe helt rett, strekk en snor langs hekken i den høyden du ønsker. Bruk snoren som en siktelinje, og klipp like over den.
- ◆ For å få flate sider, klipp oppover med vokseretningen. Yngre grener vil falle utover hvis du klipper nedover, og lage tomme åpninger i hekken.
- ◆ Når håndtaket er i fremre posisjon, kan verktøyet brukes til å klippe høye hekker. Beveg verktøyet fra side til side i en bue på 40° (fig. C2).
- ◆ Pass på å ikke komme borti fremmedlegemer. Unngå spesielt harde gjenstander, som ståltråd og gjerdet, da disse kan skade knivene.
- ◆ Smør knivene regelmessig med olje.

## Vedlikehold

Verktøyet ditt er utformet for å være i drift over en lang periode med et minimum av vedlikehold. Med riktig vedlikehold og regelmessig rengjøring beholder verktøyet ytelsen.

**Advarsel!** Før alt vedlikehold må verktøyet slås av og kontakten trekkes ut.

- ◆ Rengjør knivene omhyggelig etter hver gangs bruk. Etter rengjøringen, smør på et tynt lag med lett maskinolje for å unngå at knivene ruste.
- ◆ Rengjør luftinntaket på verktøyet regelmessig med en myk børste eller en tørr klut.
- ◆ Rengjør kåpen regelmessig med en fuktig klut. Ikke bruk slipende eller løsemiddelbaserte rengjøringsmidler.
- ◆ Pass på at utløserknappene for håndtaket og bryterne er fri for smuss både før og etter bruk.
- ◆ Oppbevar alltid verktøyet med håndtaket låst i fremre posisjon.

## Problemløsning

Hvis verktøyet ikke fungerer som det skal, kontrollerer du følgende:

Feil	Mulig årsak	Løsning
Verktøyet starter ikke	Sikringen er gått.	Skift ut sikringen.
	Utløst jordfeilbryter.	Kontroller jordfeilbryteren.
	Ingen strøm.	Kontroller strømforsyningen.
	Håndtaket er ikke låst.	Utløs håndtaket og posisjoner det på nytt.

## Miljø



Når verktøyet ditt er utslitt, beskytt naturen ved ikke å kaste det sammen med vanlig avfall. Lever det til en oppsamlingsplass som finnes i din kommune eller der hvor du kjøpte verktøyet.

## Tekniske data

	GT370	GT371
Spenning	V <sub>AC</sub> 230	230
Inn-effekt	W 300	300
Slag (ubel.)	min <sup>-1</sup> 1.350	1.350
Sverdlengde	cm 50	60
Tannavstand	mm 20	20
Knivbremsetid	s < 1,0	< 1,0
Vekt (unntatt strømledning)	kg 2,6	2,7

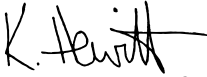


## Samsvarserklæring for EU

Black & Decker erklærer at disse produktene overholder:  
98/37/EØF, 89/336/EØF, 73/23/EØF, EN 50144, EN 55014,  
EN 61000,

2000/14/EØF, Hekksaks, ≤ 520 W, Vedlegg V

$L_{pA}$  (lydtrykk): 86 dB(A),  $L_{WA}$  (akustisk effekt) 100 dB(A),  
 $L_{WA}$  (garantert) 103 dB(A), hånd/arm-vektet vibrasjon < 2,5 m/s<sup>2</sup>



Kevin Hewitt  
Adm. dir. for forbrukerteknikk  
Spennymoor, County Durham DL16 6JG,  
Storbritannia  
1-10-2003

For å ta garantien i bruk skal produktet og kjøpekvittring leveres til forhandleren eller til et autorisert serviceverksted senest 2 måneder etter at feilen har blitt oppdaget.

For informasjon om nærmeste autoriserte serviceverksted; kontakt det lokale Black & Decker kontoret på den adressen som er angitt i bruksanvisningen. En oversikt over alle autoriserte serviceverksteder samt servicevilkår finnes også tilgjengelig på Internet, adresse: [www.2helpU.com](http://www.2helpU.com).

Vennligst registrer deg på nettsiden vår:

[www.blackanddecker.com](http://www.blackanddecker.com) for å holde deg oppdatert om nye produkter og spesialtilbud. Du finner mer informasjon om Black & Decker og produktutvalget vårt på [www.blackanddecker.com](http://www.blackanddecker.com).

## Reservdeler / reparasjoner

Reservdeler kan kjøpes hos autoriserte Black & Decker serviceverksteder, som også gir kostnadsoverslag og reparerer våre produkter.

Oversikt over våre autoriserte serviceverksteder finnes på Internet, vår hjemmeside [www.blackdecker.no](http://www.blackdecker.no) samt [www.2helpU.com](http://www.2helpU.com).

## Garanti

Black & Decker garanterer at produktet ikke har material- og/ eller fabrikkasjonsfeil ved levering til kunde. Garantien er i tillegg til kundens lovlige rettigheter og påvirker ikke disse. Garantien gjelder innen medlemsstatene i den Europeiske Unionen og i det Europeiske Frihandelsområdet.

Hvis et Black & Decker produkt går i stykker på grunn av material- og/eller fabrikkasjonsfeil eller har mangler i forhold til spesifikasjonene, innen 24 måneder fra kjøpet, påtar Black & Decker seg å reparere eller bytte ut produktet med minst mulig vanskelighet for kunden.

Garantien gjelder ikke for feil som kommer av:

- ◆ normal slittasje
- ◆ feilaktig bruk eller vedlikehold (mislighold)
- ◆ at produktet har blitt skadet av fremmede gjenstander, emner eller ved et uhell

Det gjøres oppmerksom på at produktet ikke er beregnet på industriell/profesjonell/yrkesmessig bruk, men til hus- og hjemmebruk.

Garantien gjelder ikke om reparasjoner har blitt utført av noen andre enn et autorisert Black & Decker serviceverksted.

## Anvendelsesområde

Din Black & Decker hækkeklipper er designet til at klippe hække, buske og krat.

Værktøjet er kun beregnet til privat brug.

## Sikkerhedsinstruktioner

- ◆ **Advarsel!** Ved brug af elværktøj skal de grundlæggende sikkerhedsforanstaltninger altid følges, således at risikoen for brand, elektrisk stød, person- og materialeskader mindskes.
- ◆ Læs denne brugsanvisning igennem, inden værktøjet tages i brug.
- ◆ Opbevar brugsanvisningen let tilgængeligt.
- ◆ Tag altid stikket ud af kontakten, før der foretages justering, service eller vedligeholdelse.

### Hold arbejdsområdet i orden

Risikoen for uheld er mindre hvis man holder orden omkring arbejdsområdet.

### Tænk på arbejdsmiljøets indflydelse

Udsæt ikke værktøjet for regn. Anvend ikke værktøjet på fugtige eller våde pladser. Sørg for en god belysning over arbejdsområdet. Anvend ikke værktøjet hvor der eksisterer risiko for at brand kan opstå eller eksplosioner forekomme, som følge af brug af værktøjet. F. eks. aldrig i nærheden af let antændelige væsker eller gasser.

### Hold børnene på afstand

Børn, besøgende eller dyr må ikke nærme sig arbejdsområdet eller røre ved værktøjet eller netkablet.

### Klæd dig rigtigt på

Bær ikke løst hængende tøj eller smykker. De kan sidde fast i bevægelige dele. Gummihandsker og skridsikre sko anbefales ved udendørs arbejde. Brug håret, hvis du har langt hår.

### Personlig beskyttelse

Brug beskyttelsesbriller. Brug ansigts- eller støvmaske, når brug af værktøjet kan medføre støv eller flyvende partikler. Der bør bruges høreværn.

### Beskyttelse mod elektrisk stød

Undgå kropskontakt med jordede emner (f.eks. rør, radiatorer, komfurer og køleskabe). Den elektriske sikkerhed kan forbedres yderligere ved brug af en højfølsom (30 mA / 30 mS) fejlstrømsafbryder (RCD).

### Stræk dig ikke for meget

Sørg for, at du altid har sikkert fodfæste og balance.

### Vær opmærksom

Se på det, du gør. Brug din sunde fornuft. Brug ikke værktøjet, når du er trætt.

### Sæt arbejdsmemnet fast

Brug skruetvinger eller skruestik til at spænde arbejdsmemnet fast. Det er sikrere end at bruge hånden, og du får begge hænder fri til arbejdet.

## Tilslut støvudsugningsudstyret

Hvis der findes enheder til tilslutningsfunktionerne støvudsugning og støvopsamling, skal man sørge for, at disse tilsluttes og bruges korrekt. OBS! Tilslut kun grovstøvsuger.

### Fjern nøglerne

Kontrollér at nøgler og Justerværktøj er fjernet fra værktøjet, inden det startes.

### Forlængerledningen

Før brugen skal forlængerledningen efterses og udskiftes, hvis det er skadet. Ved brug af værktøjet udendørs må man kun benytte forlængerledninger, der er beregnet til udendørs brug. Der kan bruges op til 30 m forlængerledning uden at styrken forringes.

### Brug det rigtige værktøj

Brugen af værktøjet er beskrevet i denne brugsanvisning. Tving ikke elværktøj til at udføre arbejde, som er beregnet til kraftigere værktøj. Brug kun tilbehør og dele, der er anbefalet i brugsanvisningen og katalogerne. Værktøjet må ikke forceres. Brug ikke værktøjet til formål, som det ikke er beregnet til. Brug for eksempel ikke rundsavet til at save trægrene eller brænde med.

**Advarsel!** Anvendelsen af andet tilbehør eller udførelse af opgaver med andet værktøj end det her anbefalede kan medføre risiko for personskader.

### Kontrollér værktøjet for skader

Kontrollér omhyggeligt værktøjet og ledningen for beskadigelser, før det tages i brug. Check de bevægelige dele for skæv indstilling og sammenbrændinger, kontrollér for brud på dele, skader på skærme og kontakter samt alt andet, der kan påvirke værktøjets funktion. Kontrollér, at værktøjet fungerer rigtigt og kan udføre det arbejde, det er beregnet til. Værktøjet må ikke benyttes, hvis en af delene er beskadiget eller defekt. Brug ikke værktøjet, hvis det ikke kan tændes og slukkes ved afbryderen. Skadede eller defekte dele skal repareres eller udskiftes af en autoriseret tekniker. Man må aldrig forsøge selv at reparere værktøjet.

### Afbryd værktøjet

Afbryd værktøjet når det er ude af brug og før udskiftning af enhver værktøjsdel, tilbehør eller andet udstyr.

### Undgå utilsigtet start af værktøjet

Bær ikke værktøjet med en finger på tænd/sluk knappen. Sørg for, at værktøjet er slukket, når ledningen tilsluttes strømmen.

### Vær forsigtig med ledningen

Man må aldrig bære værktøjet i ledningen eller tage det ud af stikkontakten ved at rive i ledningen. Ledningen skal holdes på afstand af varme, olie og skarpe kanter.

### Opbevar værktøjet sikkert, når det ikke bruges

Når værktøjet ikke er i brug, skal det opbevares på et tørt sted, aflåst eller anbragt højt udenfor børns rækkevidde.

### Vedligehold værktøjet omhyggeligt

Skærende værktøjer skal holdes skarpe og rene, for på denne måde at opnå et bedre og mere sikkert brug.

Følg vedligeholdelsesvejledningen samt vejledningen til udskiftning af tilbehør. Hold håndtag og knapper tørre, rene og fri for olie og fedt.

### Reparationer

Dette værktøj opfylder de relevante sikkerhedskrav. Reparationer må kun foretages af dertil kvalificerede personer, som bruger originale reservedele. I modsat fald kan der opstå betydelig fare for brugeren.

### Elektrisk sikkerhed



Værktøjet er dobbelt isoleret; derfor er jordledning ikke nødvendig. Kontrollér altid, at strømforsyningen svarer til spændingen på typeskiltet.

### Yderligere sikkerhedsvejledninger til hækkeklippere



Det anbefales at bære sikkerhedsbriller, når man arbejder med dette værktøj.



Man skal bruge handsker, når man arbejder med dette værktøj.



Man skal benytte høreværn, når man arbejder med dette værktøj.



Tag øjeblikkeligt kablet ud af kontakten, hvis det bliver beskadiget eller skåret over.



Udsæt ikke værktøjet for regn eller høj fugtighed.

- ◆ Hold kablet væk fra knivene under arbejdet med dette værktøj.
- ◆ Hvis man aldrig har benyttet en hækkeklipper før, er det anbefalelsesværdigt at bede om praktisk hjælp fra en øvet bruger samtidig med, at denne brugervejledning skal læses.
- ◆ Man må aldrig berøre knivene, mens værktøjet er i gang.
- ◆ Man må aldrig tvinge knivene til standsning.
- ◆ Man må ikke stille værktøjet fra sig, før knivene er fuldstændigt stoppet.
- ◆ Kontrollér regelmæssigt knivene for beskadigelser og slid. Man må ikke benytte værktøjet, hvis knivene er blevet slidt eller beskadiget.
- ◆ Man skal undgå hårde genstande (f.eks. metalwirer og stakitter), når man klipper. Skulle man ved et uheld komme til at ramme en sådan genstand, skal man straks slukke for værktøjet og checke det for skader.
- ◆ Hvis værktøjet begynder at vibrere på unormal vis, skal det straks slukkes og checkes for skader.
- ◆ Hvis værktøjet går i stå, skal det straks slukkes. Man skal afbryde værktøjet, før man forsøger at fjerne obstruerende genstande.

- ◆ Efter brug skal den medfølgende knivbeskytter sættes over knivene. Ved opbevaring af værktøjet skal man sikre sig, at knivene ikke er fremme.
- ◆ Sørg altid for, at alle håndtag og sikkerhedsskærme sidder fast, når værktøjet er i brug. Forsøg aldrig at bruge et ukomplet værktøj eller et værktøj, der er blevet ændret på en uautoriseret måde.
- ◆ Lad aldrig børn bruge værktøjet.
- ◆ Ved brug af drejhåndtaget skal enheden holdes væk fra kroppen og væk fra løst tøj.
- ◆ Vær opmærksom på nedfaldende affald ved klipning af de øverste sider af hækken.

### Funktioner

Dette værktøj har nogle af eller alle følgende funktioner:

1. Håndtagsknap
2. Startknap
3. Drejhåndtag
4. Udløserknap
5. Kniv
6. Knivbeskytter

Denne hækkeklipper har følgende praktiske funktioner:

- ◆ Nyskabende håndtag for behagelig klipning.
- ◆ Laserklipnings- og diamantbehandlede knive for at give bedre klipning
- ◆ Dobbelte knive for at reducere vibrationer.

### Brug

#### Flytning af drejhåndtaget

**Advarsel!** Før man ændrer placeringen af drejhåndtaget, skal man sikre sig, at værktøjet er slukket og taget ud af stikkontakten.

#### Drejning af håndtaget i retvinklet position (fig. A1 og A2)

Din hækkeklipper forlænger din rækkevidde med håndtaget fremad. Gør som følger for at dreje håndtaget:

- ◆ Støt undersiden af maskinen med den ene hånd.
- ◆ Tryk på udløserknappen (4) med tommelfingeren, og drej håndtaget (3) tilbage med den anden hånd.
- ◆ Flyt håndtaget helt til retvinklet position. Sørg for, at håndtaget klikker og låser på plads.

#### Drejning af håndtaget i fremadrettet position (fig. B1 og B2)

Flyt håndtaget fra retvinklet til fremadrettet position på følgende måde:

- ◆ Støt undersiden af maskinen med den ene hånd.
- ◆ Tryk på udløserknappen (4) med tommelfingeren, og drej håndtaget (3) fremad med den anden hånd.
- ◆ Flyt håndtaget helt til fremadrettet position. Sørg for, at håndtaget klikker og låser på plads.

## Tilslutning af værktøjet til elnettet

Hvis værktøjet ikke er monteret med et strømkabel, skal der sluttes en forlængerledning til elstikket.

- ◆ Sæt hunstikket på en passende forlængerledning i værktøjets elstik.
- ◆ Indsæt stikket i stikkontakten.

**Advarsel!** Forlængerledningen skal være velegnet til udendørs brug. Ved anvendelse af en kabeltromle, skal kablet altid vindes helt ud.

## Tænding og slukning

**Advarsel!** Lad værktøjet arbejde i dets eget tempo. Det må ikke overbelastes.

- ◆ Arbejd forsigtigt med kablet for at undgå at komme til at klippe det over. Det er en god ide at styre kablet ved at tage det over skulderen.
- ◆ For brugerens sikkerhed er dette værktøj udstyret med et dobbelt tændingssystem. Dette system modvirker, at værktøjet går i gang uden varsel. Samtidig er det kun muligt at betjene værktøjet, når man holder det med begge hænder.

## Tænding

**Advarsel!** Sørg for, at håndtaget er helt låst i enten fremadrettet eller retvinklet position.

- ◆ Tryk på en af håndtagsknapperne (1).
- ◆ Tryk på udløserknappen (2) for at starte værktøjet.

## Slukning

- ◆ Slip håndtagsknappen (1) eller udløserknappen (2).

**Advarsel!** Forsøg aldrig at fastlåse en knap, mens maskinen er tændt.

## Gode råd til optimalt brug

- ◆ Start med at klippe toppen af hækken. Vip værktøjet let (op til 15° i forhold til klippelinien) således, at knivspidsen peger let imod hækken (fig. C1 & C3). Dette gør, at knivene klipper mere effektivt. Hold værktøjet i den ønskede vinkel, og bevæg det roligt langs med klippelinien. De dobbeltsidede knive gør, at man kan klippe i begge retninger.
- ◆ For at opnå en meget lige hæk kan man trække en tråd langs med hækken i den ønskede højde. Brug tråden som en retningsssnor, og klip lige over den.
- ◆ For at opnå flade sider skal man klippe opad i vækstretningen. Yngre grene vil stikke ud, hvis man fører kniven nedad, og det vil medføre ujævne mønstre i hækken.
- ◆ Med håndtaget i fremadrettet position kan værktøjet bruges til at klippe de høje sider af hækken. Flyt værktøjet fra side til side i en 40 graders bue (fig. C2).

- ◆ Man skal omhyggeligt undgå fremmedlegemer. Undgå især hårde genstande, f.eks. metalwirer og stakitter, idet de kan beskadige knivene.
- ◆ Smør knivene regelmæssigt.

## Hvornår skal hækken klippes?

- ◆ Generelt kan hække og buske med årsskud klippes i juni og oktober.
- ◆ Stedsegrøne planter kan klippes i april og august.
- ◆ Hurtigt voksende planter kan klippes hver 6. uge fra maj og fremover.

## Vedligeholdelse

Værktøjet er beregnet til at være i drift gennem en længere periode med minimal vedligeholdelse. Forsat tilfredsstillende drift afhænger af korrekt behandling af værktøjet samt regelmæssig rengøring.

**Advarsel!** Før udførelse af vedligeholdelsesarbejde skal værktøjet slukkes og tages ud af stikkontakten.

- ◆ Efter brug skal knivene rengøres grundigt. Efter rengøring skal man smøre knivene med maskinolie for at undgå, at de rustner.
- ◆ Man skal regelmæssigt rengøre værktøjets ventilationshuller med en blød børste eller en tør klud.
- ◆ Man skal regelmæssigt gøre motorhuset rent med en fugtig klud. Man må ikke bruge slibemidler eller opløsningsmidler.
- ◆ Sørg for, at alle håndtagets udløserknapper og andre knapper er fri for snavs før og efter brug.
- ◆ Opbevar altid værktøjet med håndtaget låst i fremadrettet position.

## Fejlfinding

Hvis værktøjet ikke fungerer korrekt, skal følgende undersøges.

Fejl	Mulig årsag	Afhjælpning
Værktøjet starter ikke.	Sikringen er sprunget. Udløst RCD (reststrømsenhed). Netledningen er ikke tilsluttet.	Udskift sikringen. Check RCD. Kontrollér strømforsyningen.
	Håndtaget er ikke låst.	Slip håndtaget, og slut strømmen til igen.

## Miljø



Når dit værktøj er udtjent, beskyt da naturen ved ikke at smide det ud sammen med det almindelige affald. Aflever det på den genbrugsstation, der findes i din kommune eller der hvor værktøjet er købt.

## Tekniske data

	GT370	GT371
Spænding	V <sub>AC</sub> 230	230
Motoreffekt	W 300	300
Knivstød (uden belastning)	min <sup>-1</sup> 1.350	1.350
Knivlængde	cm 50	60
Knivafstand	mm 20	20
Bremsetid	s < 1,0	< 1,0
Vægt (uden ledning)	kg 2,6	2,7

## EF overensstemmelseserklæring

Black & Decker erklærer, at disse produkter er i overensstemmelse med følgende:

98/37/EØF, 89/336/EØF, 73/23/EØF, EN 50144, EN 55014, EN 61000,  
2000/14/EF, Hækkeklipper, ≤ 520 W, Annex V  
L<sub>PA</sub> (lydtryk): 86 dB(A), L<sub>WA</sub> (lydintensitet) 100 dB(A),  
L<sub>WA</sub> (garanteret) 103 dB(A), hånd/arm vægtet vibration  
< 2,5 m/s<sup>2</sup>

Kevin Hewitt  
Direktør for forbrugerteknik  
Spennymoor, County Durham DL16 6JG,  
UK  
1-10-2003

Hvis et Black & Decker produkt går i stykker på grund af materiel skade og/eller fabriktionsfejl eller på anden måde ikke fungerer i overensstemmelse med specifikationen, inden for 24 måneder fra købsdatoen, påtager Black & Decker sig at reparere eller ombytte produktet med mindst muligt besvær for kunden.

Garantien gælder ikke for fejl og mangler, der er sket i forbindelse med:

- ◆ normal slitage
- ◆ uheldige følger efter unormal anvendelse af værktøjet
- ◆ overbelastning, hærværk eller overdrevent intensivt brug af værktøjet
- ◆ ulykkehændelse

Garantien gælder ikke hvis reparationer er udført af nogen anden end et autoriseret Black & Decker værksted.

For at udnytte garantien skal produktet og købskvitteringen indleveres til forhandleren eller til et autoriseret værksted, senest 2 måneder efter at fejlen opdages. For information om nærmeste autoriserede værksted: kontakt det lokale Black & Decker kontor på den adresse som er opgivet i brugsanvisningen. Liste over alle autoriserede Black & Decker serviceværksteder samt servicevilkår er tilgængelig på internettet, på adressen [www.2helpU.com](http://www.2helpU.com).

Indskriv dig venligst på vores websted på adressen [www.blackanddecker.com](http://www.blackanddecker.com) for at blive holdt ajour om nye produkter og specialtilbud. Der findes yderligere oplysninger om mærket Black & Decker og vores produktsortiment på adressen [www.blackanddecker.com](http://www.blackanddecker.com).

## Reserve dele / reparationer

Reserve dele kan købes hos autoriserede Black & Decker serviceværksteder, som giver forslag til omkostninger og reparerer vore produkter. Oversigt over vore autoriserede værksteder findes på internettet på vor hjemmeside [www.blackdecker.dk](http://www.blackdecker.dk) samt [www.2helpU.com](http://www.2helpU.com).

## Garanti

Black & Decker garanterer, at produktet er fri for materielle skader og/eller fabriktionsfejl ved levering til kunden. Garantien er et tillæg til konsumentens lovlige rettigheder og påvirker ikke disse. Garantien gælder indenfor medlemsstaterne af den Europæiske Union og i det Europæiske Frihandelsområde.

## Käyttötarkoitus

Black & Deckerin pensasleikkuri on suunniteltu pensasaitojen ja pensaiden leikkaamiseen. Kone on tarkoitettu kotikäyttöön.

## Turvallisuusohjeet

- ◆ **Varoitus!** Sähkötyökaluja käytettäessä on aina noudatettava mm. seuraavia turvallisuusohjeita, jotta tulipalojen, sähköiskujen, henkilövahinkojen ja materiaalivaurioiden riski olisi mahdollisimman pieni.
- ◆ Säilytä käyttöohje kaikkien koneen käyttäjien ulottuvilla.
- ◆ Irrota pistoke virtalähteestä ennen kuin säädät, puhdistat tai huollat konetta.

### Pidä työskentelyalue siistinä

Poista roskat ja mahdolliset esteet työskentelyalueelta välttyäksesi vaurioilta.

### Ajattele työskentelyalueen vaikutusta työhösi

Älä altista sähkötyökaluja sateelle äläkä käytä niitä kosteissa tai märissä paikoissa. Järjestä työskentelyalueelle hyvä valaistus. Älä käytä konetta paikassa, jossa on tulipalo- tai räjähdysvaara, esim. palaviiden nesteiden tai kaasujen läheisyydessä.

### Työskentele lasten ulottumattomissa

Älä anna lasten, vieraiden tai eläinten tulla lähelle työskentelyaluetta tai koskea koneeseen tai sähköjohtoon.

### Pukeudu asianmukaisesti

Älä käytä liian väljiä vaatteita tai koruja. Ne voivat tarttua liikkuviin osiin. Käytä ulkona työskennellessäsi kumihansikkaita ja liukumattomia kenkiä. Jos sinulla on pitkiä hiukset, käytä hiusverkkoa.

### Suojavaatetus

Käytä suojalaseja. Käytä kasvosuojaa, jos työskennellessä syntyy pölyä tai hiukkasia. Käytä kuulosuojaimia.

### Suojaudu sähköiskuilta

Vältä kosketusta maadoitettuihin pintoihin (esim. putket, lämpöpatterit, liedet ja jääkaapit). Sähköistä turvallisuutta voidaan parantaa käyttämällä erittäin herkkää (30 mA / 30 mS) vikavirtasuojaa.

### Älä kurottele

Seiso aina tukevasti ja tasapainossa.

### Ole tarkkaavainen

Keskity työhösi. Käytä tervettä järkeä. Älä käytä sähkötyökalua, kun olet väsynyt.

### Kiinnitä työstökappale kunnolla

Käytä ruuvipuristinta tai -kappaletta, jotta työstökappale pysyy kunnolla kiinni. Näin saat molemmat kädet vapaaksi työhön.

### Liitä pölynpoistolaitte

Jos koneessa on liitäntä pölynpoisto- ja pölynkeräyslaitteistolle tulee sellainen kiinnittää ja käyttää oikein. HUOM!  
Liitä koneeseen ainoastaan teollisuuspölynimuri.

## Poista avaimet

Poista säätöavaimet ja asennustyökalut koneesta ennen kuin käynnistät sen.

## Jatkojohdot

Tarkista jatkojohto ennen käyttöä, ja vaihda vaurioitunut johto uuteen. Käytettäessä konetta ulkona tulee käyttää vain ulkokäyttöön soveltuvia jatkojohtoja. Jopa 30 m:n pituista jatkojohtoa voidaan käyttää tehon vähenemättä.

## Käytä oikeaa konetta

Älä käytä konetta muihin töihin, kuin mihin se on tarkoitettu. Älä käytä pientä konetta työssä, joka vaatii tehokkaamman työkalun. Älä ylikuormita konetta. Käytä konetta ainoastaan sellaiseen työhön, johon se on tarkoitettu. Esim. älä sahaa pyörösahalla oksia tai polttopuita.

## Varoitus! Käytä konetta ainoastaan sellaiseen työhön,

johon se on tarkoitettu, ja käytä vain käyttöohjeessa ja tuotekuvastossa suositeltuja tarvikkeita ja lisälaitteita.

Ohjeesta poikkeava käyttö voi aiheuttaa onnettomuuden.

## Tarkista, että kone on kunnossa

Tarkista ennen käyttöä, ettei kone tai sähköjohto ole vaurioitunut. Tarkista, etteivät liikkuvat ja muut osat sekä suoja ole viallisia, ja että kaikki muut käyttöön mahdollisesti vaikuttavat tekijät ovat kunnossa. Varmista, että kone toimii oikein ja täyttää tehtävänsä. Älä käytä konetta, jos jokin sen osista on viallinen tai se ei käynnisty ja pysähdy virrankatkaisijasta. Viallinen osa tulee korjata tai vaihtaa valtuutetussa Black & Deckerin huoltoliikkeessä. Älä koskaan yritä korjata konetta itse.

## Irrota kone virtalähteestä

Irrota kone virtalähteestä, kun konetta ei käytetä, ennen minkään koneen osan, tarvikkeen tai lisävarusteen vaihtamista, sekä ennen huoltoa.

## Vältä tahatonta käynnistämistä

Älä koskaan kanno konetta sormet kiinni virrankatkaisijassa. Varmista, että kone on pois päältä, ennen kuin kytket sen virtalähteeseen.

## Huolehdi johdon kunnosta

Älä koskaan kanno konetta johdosta äläkä irrota pistoketta virtalähteestä vetämällä johdosta. Suojaa johto kuumuudelta, öljyltä ja teräviltä reunoilta.

## Säilytä konetta oikein

Kun konetta ei käytetä, säilytä sitä kuivassa, lukitussa paikassa tai korkealla lasten ulottumattomissa.

## Hoida työkalua huolellisesti

Pidä työkalu puhtaina ja käytä teräviä teriä tehokasta ja turvallista työskentelyä varten. Noudata huollosta ja tarvikkeiden vaihdosta annettuja ohjeita. Pidä virrankatkaisija ja kädensijat kuivina ja puhtaina öljystä ja rasvasta.

## Korjaukset

Tämä kone täyttää voimassa olevat turvallisuusvaatimukset. Korjauksia saa tehdä vain Black & Deckerin valtuuttama huoltoliike, joka käyttää alkuperäisosia.

Muussa tapauksessa käyttäjä saattaa joutua vaaratilanteeseen.

### Sähköinen turvallisuus



Tämä kone on kaksoisieristetty: siksi ei tarvita erillistä maadoitusta. Tarkista aina, että virtalähde vastaa arvokilvessä ilmoitettua jännitettä.

### Lisäturvaohjeet pensasleikkureille



Käytä suojalaseja konetta käyttäessäsi.



Käytä työhansikkaita konetta käyttäessäsi.



Käytä kuulosuojaimia konetta käyttäessäsi.



Irrota pistoke virtalähteestä heti, jos johto on vioittunut.



Älä altista konetta sateelle tai kosteudelle.

- ◆ Varmista aina, että johto on pois terien tieltä, kun käytät konetta.
- ◆ Ellet ole käyttänyt pensasleikkuria aikaisemmin suosittelemme, että pyydät käytännön neuvoja tottuneelta käyttäjältä sekä luet käyttöohjeen tarkasti.
- ◆ Älä koskaan kosketa terää, kun kone on käynnissä.
- ◆ Älä koskaan pakota teriä pysähtymään.
- ◆ Älä aseta konetta maahan ennen kuin terät ovat täysin pysähtyneet.
- ◆ Tarkista säännöllisesti, ovatko terät vaurioituneet tai kuluneet. Älä käytä konetta, mikäli terät ovat kuluneet tai vialliset.
- ◆ Varo kovia esineitä (esim. metallilankaa, kaiteita) leikatessasi. Mikäli osut vahingossa tällaiseen esineeseen, sammuta kone välittömästi, irrota virtajohto ja tarkista mahdolliset vahingot.
- ◆ Mikäli kone alkaa tärinästä epätavallisesti, sammuta se välittömästi ja tarkista mahdolliset vahingot.
- ◆ Mikäli kone jumiuu, pysäytä se välittömästi.
- ◆ Irrota pistoke virtalähteestä ennen kuin yrität poistaa tukkeutumia.
- ◆ Aseta koneeseen kuuluva teränsuojus paikoilleen käytön jälkeen. Säilytä konetta siten, että terä ei ole näkyvillä.
- ◆ Varmista aina, että kaikki kädensijat suojat ovat paikallaan konetta käytettäessä. Älä koskaan käytä konetta, jonka kaikki osat eivät ole oikein paikallaan tai johon on tehty muutoksia jonkun muun kuin valtuutetun huoltoliikkeen toimesta.
- ◆ Älä koskaan anna lasten käyttää konetta.

- ◆ Kun käytät kääntävää kädensijaa, pidä laite poissa kehon ja löysien vaatteiden läheltä.
- ◆ Varo tippuvaa roskaa, kun leikkaat pensasaidan pidempää puolta.

### Yleiskuvaus

Tällä koneella on kaikki tai osa seuraavista ominaisuuksista.

1. Turvavirrankatkaisija
2. Virrankatkaisija
3. Kääntävä kädensija
4. Kädensijan vapautuspainike
5. Terä
6. Teränsuojus

Tässä pensasleikkurissa on seuraavat edut:

- ◆ Innovatiivinen kädensija parantaa leikkumukavuutta.
- ◆ Laserleikatut ja timanttilaikalla hiotut terät parantavat leikkauks jälkeä.
- ◆ Kaksitoimiset terät vähentävät tärinää.

### Käyttö

#### Kääntävän kädensijan asennuskohtan muuttaminen

**Varoitus!** Ennen kuin muutat kääntävän kädensijan asennuskohtaa, varmistu siitä, että työkalu on sammutettu eikä sitä ole liitetty virtalähteeseen.

#### Kädensijan kääntäminen suorakulma-asentoon (kuvat A1 & A2)

Pensasleikkurin ulottuvuus on rajallinen, kun kädensija on etuasennossa. Käännä kädensijaa seuraavasti:

- ◆ Tue laitteen alaosa toisella kädellä.
- ◆ Paina vapautuspainiketta (4) peukalolla ja käännä kädensijaa (3) taaksepäin toisella kädellä.
- ◆ Siirrä kädensija kokonaan suorakulma-asentoon. Varmista, että kädensija napsahtaa ja lukittuu paikalleen.

#### Kädensijan kääntäminen etuasentoon (kuvat B1 & B2)

Toimi seuraavasti, kun haluat siirtää kädensijan suorakulma-asennosta etuasentoon:

- ◆ Tue laitteen alaosa toisella kädellä.
- ◆ Paina vapautuspainiketta (4) peukalolla ja käännä kädensijaa (3) eteenpäin toisella kädellä.
- ◆ Siirrä kädensija kokonaan etuasentoon. Varmista, että kädensija napsahtaa ja lukittuu paikalleen.

#### Koneen liittäminen verkkovirtaan

Jos koneeseen ei ole asennettu virtajohtoa, virransyöttöliitäntään täytyy liittää jatkojohto.

- ◆ Kiinnitä sopivan jatkojohdon naarasliitin työkalun virransyöttöliitäntään.
- ◆ Laita pistoke virtalähteeseen.

**Varoitus!** Jatkojohdon tulee olla ulkokäyttöön tarkoitettu. Jos käytät jatkojohdotokelaa, kelaat johto aina täysin auki.

### Virran kytkeminen päälle/pois päältä

**Varoitus!** Anna koneen käydä omaan tahtiinsa.

Älä ylikuormita sitä.

- ◆ Käsittele johtoa huolellisesti, jotta vaurioita tästä vahingossa. Hyvä tapa käsitellä johtoa on laittaa se kulkemaan olkapään yli.
- ◆ Turvallisuussyistä koneessa on kaksoisvirrankatkaisija. Tällä tavoin estetään koneen käynnistyminen vahingossa, ja sitä voidaan käyttää vain pitämällä kiinni molemmin käsin.

### Koneen käynnistyminen

**Varoitus!** Varmista, että kädensija on lukittunut joko etu- tai suorakulma-asentoon.

- ◆ Purista jompaa kumpaa kädensijan katkaisijaa (1).
- ◆ Käynnistä työkalu virrankatkaisijasta (2).

### Koneen pysäytys

- ◆ Päästä irti turvavirrankatkaisijasta (1) tai virrankatkaisijasta (2).

**Varoitus!** Älä koskaan yritä lukita virrankatkaisijaa käynnistysasentoon.

### Vinkejä parhaimman tuloksen saamiseksi

- ◆ Aloita leikkaaminen pensaan yläreunasta. Kallista konetta hiukan (korkeintaan 15° kulmaan leikkauslinjan nähden) niin, että terän kärjet osoittavat pensasta kohden (kuvat C1 & C3). Tällä tavoin terät leikkaavat tehokkaammin. Pidä konetta halutussa kulmassa ja liikuta sitä rauhallisesti ja tasaisesti leikkauslinjaa pitkin. Kaksipuolisesti leikkaavat terät sallivat leikkaamisen molempiin suuntiin.
- ◆ Jotta leikkausjälki olisi mahdollisimman suora, pensasaidan koko pituudelle voidaan pingottaa naru halutulle korkeudelle. Käytä naru viitelinjana ja leikkaa juuri sen yläpuolelta.
- ◆ Jotta sivuista tulisi tasaisia, leikkaa alhaalta ylöspäin siihen suuntaan, mihin pensas kasvaa. Nuoret oksat kallistuvat ulospäin, jos leikkaat ylhäältä alaspäin. Tämä aiheuttaa aukkoja pensasaitaan.
- ◆ Työkalulla voidaan leikata pensasaidan korkeita sivuja, kun kädensija on etuasennossa. Kallista työkalua sivulle 40° kulmassa (kuva C2).
- ◆ Ole varovainen; vältä kaikkia asiaankuulumattomia esineitä. Vältä erityisesti kovia esineitä, kuten metallilankaa tai aitoja; nämä voivat vahingoittaa teriä.
- ◆ Voitele terät säännöllisesti.

### Huolto

Kone on suunniteltu toimimaan mahdollisimman pitkän aikaa mahdollisimman vähällä huollolla. Oikealla huollolla ja säännöllisellä puhdistuksella kone säilyttää suorituskykynsä.

**Varoitus!** Ennen huoltoa ja puhdistusta tulee koneen olla pois päältä ja irti virtalähteestä.

- ◆ Puhdista terät hyvin jokaisen käyttökerran jälkeen. Levitä puhdistuksen jälkeen ohut kerros kevyttä voiteluöljyä terille ruostumisen estämiseksi.
- ◆ Puhdista työkalun ilma-aukot säännöllisesti pehmeällä harjalla tai kuivalla rievulla.
- ◆ Puhdista työkalun kuori säännöllisesti kostealla siivousliinalla. Älä koskaan käytä puhdistamiseen liuotainaineita tai syövyttäviä puhdistusaineita.
- ◆ Varmista, ettei kädensijan vapautuspainikkeissa tai kytkimissä ole roskia ennen käyttöä tai sen jälkeen.
- ◆ Säilytä työkalu siten, että kädensija on lukittuna etuasentoon.

### Vianmääritys

Jos työkalu ei toimi oikein, tarkista seuraavat seikat.

Vika	Mahdollinen syy	Toimenpide
Työkalu ei käynnisty	Sulake palanut. Maadoituskytkin on lauennut. Virtajohtoa ei ole kytketty. Kädensija ei ole lukittunut.	Vaihda sulake. Nollaa maadoituskytkin. Tarkista virransaanti. Vapauta kädensija ja asenna se uudelleen.

### Ympäristö



Kun koneesi on käytetty loppuun, älä heitä sitä tavallisten roskien mukana pois, vaan vie se paikkakuntasi kierrätyskeskukseen tai jätä valtuutettuun Black & Deckerin huoltoiliikkeeseen.

### Tekniset tiedot

	GT370	GT371
Jännite	V <sub>AC</sub> 230	230
Ottoteho	W 300	300
Leikkausnopeus (kuormittamaton)	min <sup>-1</sup> 1.350	1.350
Terän pituus	cm 50	60
Hammaskäsi	mm 20	20
Terän pysähdysaika	s < 1,0	< 1,0
Paino (ilman virtajohtoa)	kg 2,6	2,7



## EU:n yhdenmukaisuusilmoitus

Black & Decker vakuuttaa näiden tuotteiden olevan seuraavien standardien vaatimusten mukaisia:

98/37/EC, 89/336/EEC, 73/23/EEC, EN 50144, EN 55014,  
EN 61000,

2000/14/EC, Pensasleikkuri,  $\leq 520$  W, Annex V

$L_{pA}$  (äänenpaine): 86 dB(A),  $L_{WA}$  (akustinen teho) 100 dB(A),

$L_{WA}$  (taattu) 103 dB(A), käden/käsivarren painotettu värinä  
 $< 2,5$  m/s<sup>2</sup>



Kevin Hewitt  
Director of Consumer Engineering  
Spennymoor, County Durham DL16 6JG,  
United Kingdom  
1-10-2003

Edellytyksenä takuun saamiselle on, että ostaja jättää koneen ja ostokuitin jälleenmyyjälle tai valtuutetulle huoltoliikkeelle viimeistään 2 kuukauden kuluessa vian ilmenemisestä.

Tiedot valtuutetuista huoltoliikkeistä saa ottamalla yhteyttä Black & Decker Oy:hyn sekä internetistä osoitteesta [www.2helpU.com](http://www.2helpU.com), jossa on myös takuehdot.

Ole hyvä ja rekisteröidy verkkosivullamme [www.blackanddecker.com](http://www.blackanddecker.com) saadaksesi tietoja uusista tuotteista ja erikoistarjouksista. Saat lisätietoja Black & Deckerin tavaramerkistä ja tuotevalikoimastamme osoitteesta [www.blackanddecker.com](http://www.blackanddecker.com).

## Korjaukset / varaosat

Mikäli koneeseen tulee vikaa, jätä se aina Black & Deckerin valtuuttamaan huoltoliikkeeseen korjattavaksi (tiedot löytyvät uusimmasta tuoteluettelostamme tai ottamalla yhteyttä Black & Decker Oy:hyn). Varaosia myyvät valtuutetut Black & Deckerin huoltoliikkeet, ja heiltä voi myös pyytää kustannusarvion koneen korjauksesta.

Tiedot valtuutetuista huoltoliikkeistä löytyvät myös internetistä osoitteesta [www.2helpU.com](http://www.2helpU.com) sekä kotisivuiltamme [www.blackdecker.fi](http://www.blackdecker.fi).

## Takuu

Black & Decker Oy takaa, ettei koneessa ollut materiaali- ja/ tai valmistusvikaa silloin, kun se toimitettiin ostajalle.

Takuu on lisäys kuluttajan laillisiin oikeuksiin eikä vaikuta niihin. Takuu on voimassa Euroopan Unionin jäsenmaissa ja Euroopan vapaakauppa-alueella (EFTA).

Mikäli Black & Decker -kone hajoaa materiaali- ja/ tai valmistusvirheen tai teknisten tietojen epätarkkuuden vuoksi 24 kk:n kuluessa ostopäivästä, Black & Decker korjaa koneen ilman kustannuksia ostajalle tai vaihtaa sen uuteen Black & Decker Oy:n valinnan mukaan.

Takuu ei kata vikoja, jotka johtuvat koneen

- ◆ normaalista kulumisesta
- ◆ ylikuormituksesta, virheellisestä käytöstä tai hoidosta
- ◆ vahingoittamisesta vieraalla esineellä tai aineella tai onnettomuustapauksessa.

Takuu ei ole voimassa, mikäli konetta on korjannut joku muu kuin Black & Deckerin valtuuttama huoltoliike.

## Ενδεδειγμένη χρήση

Το εργαλείο κλαδέματος θάμνων της Black & Decker έχει σχεδιαστεί για το κλάδεμα θάμνων, φρύγανων και βάτων. Αυτό το εργαλείο προορίζεται μόνο για ερασιτεχνική χρήση.

## Οδηγίες ασφαλείας

- ♦ **Προσοχή!** Κατά τη χρήση εργαλείων που τροφοδοτούνται με ηλεκτρικό ρεύμα, θα πρέπει πάντα να λαμβάνονται οι βασικές προφυλάξεις ασφαλείας, για τον περιορισμό του κινδύνου πυρκαγιάς, ηλεκτροπληξίας, σωματικών βλαβών και υλικών ζημιών.
- ♦ Πριν χρησιμοποιήσετε το εργαλείο διαβάστε προσεκτικά τις παρακάτω οδηγίες.
- ♦ Φυλάξτε τις οδηγίες καλά.
- ♦ Αποσυνδέστε το εργαλείο από την πρίζα πριν προχωρήσετε σε εργασίες ρύθμισης, σέρβις ή συντήρησης.

### Διατηρείτε καθαρό το χώρο εργασίας

Ακατάστατοι χώροι και πάγκοι εγκυμονούν κίνδυνο τραυματισμού.

### Λάβετε υπ' όψη τις επιδράσεις του περιβάλλοντος

Μην εκθέτετε ηλεκτρικά εργαλεία σε υγρασία. Φροντίστε η περιοχή εργασίας να είναι καλά φωτισμένη. Μη χρησιμοποιείτε το εργαλείο αν υπάρχει κίνδυνος να προκληθεί πυρκαγιά ή έκρηξη, π.χ. κοντά σε εύφλεκτα υγρά και αέρια.

### Κρατάτε τα παιδιά σε απόσταση

Μην επιτρέπετε σε παιδιά, επισκέπτες ή ζώα να πλησιάζουν στο χώρο εργασίας ή να αγγίζουν το εργαλείο ή το καλώδιο τροφοδοσίας.

### Φοράτε τα κατάλληλα ρούχα εργασίας

Μη φοράτε φαρδιά ρούχα ή κοσμήματα. Υπάρχει πιθανότητα να πιαστούν σε κινούμενα μέρη μηχανών. Για υπαίθριες εργασίες συνιστώνται λαστιχένια γάντια και υποδήματα που δε γλιστρούν. Εάν έχετε μακριά μαλλιά φοράτε προστατευτικό διχτάκι.

### Ατομική προστασία

Φορέστε προστατευτικά γυαλιά. Φορέστε μάσκα προσώπου ή προστασίας από τη σκόνη, στις περιπτώσεις που η εργασία ενδέχεται να προκαλέσει την παραγωγή σκόνης ή αιωρούμενων σωματιδίων. Φοράτε ωτασπίδες.

### Λάβετε τις κατάλληλες προφυλάξεις για το ενδεχόμενο ηλεκτροπληξίας

Αποφύγετε τη σωματική επαφή με γειωμένες ή συνδεδεμένες με το έδαφος επιφάνειες (π.χ. σωλήνες, ψυγεία, βραστήρες και ψυγεία). Η ηλεκτρική ασφάλεια μπορεί να βελτιωθεί αν χρησιμοποιηθεί συσκευή παραμένοντος ρεύματος (RCD) υψηλής ευαισθησίας (30 mA / 30 mS).

### Μη σκύβετε πάρα πολύ

Φροντίστε πάντοτε να έχετε την κατάλληλη στάση και να διατηρείτε την ισορροπία σας.

### Να είστε πάντα προσεκτικοί

Παρακολουθείτε την εργασία σας. Ενεργείτε λογικά.

Μη χρησιμοποιείτε το εργαλείο όταν είστε κουρασμένος.

## Στηρίξτε με ασφαλή τρόπο το αντικείμενο στο οποίο εργάζεστε

Χρησιμοποιείστε σφιγκτήρες ή μέγγενη για το σκοπό αυτό. Η μέθοδος αυτή είναι ασφαλέστερη και ελευθερώνει και τα δύο σας χέρια για το χειρισμό του εργαλείου.

### Συνδέστε τη συσκευή αφαίρεσης σκόνης

Εάν παρέχονται συσκευές για τη σύνδεση συσκευών αφαίρεσης και συλλογής σκόνης, βεβαιωθείτε ότι η σύνδεση και η χρήση τους γίνεται με τον ενδεδειγμένο τρόπο.

### Απομακρύνετε από το μηχάνημα τα κλειδιά που χρησιμοποιείτε για τη ρύθμισή του

Πριν βάλετε σε λειτουργία το εργαλείο, βεβαιωθείτε πάντα ότι έχετε βγάλει από αυτό τα κλειδιά για τη ρύθμισή του.

### Καλώδια επιμήκυνσης

Πριν τη χρήση, επιθεωρήστε το καλώδιο επιμήκυνσης και αντικαταστήστε το, αν έχει φθαρεί. Εάν χρησιμοποιείτε τη συσκευή σε υπαίθριο χώρο, χρησιμοποιείτε μόνο καλώδια επιμήκυνσης κατάλληλα για χρήση σε υπαίθριο χώρο. Μπορεί να χρησιμοποιηθεί καλώδιο προέκτασης Black & Decker έως και 30 m χωρίς να προκληθεί απώλεια ισχύος.

### Χρησιμοποιείτε το σωστό εργαλείο

Η ενδεδειγμένη χρησιμοποίηση αναφέρεται σε αυτές τις οδηγίες χρήσεως. Μη χρησιμοποιείτε εργαλεία χαμηλής ισχύος ή προσηθής για βαριές εργασίες. Το εργαλείο σας θα λειτουργήσει επιτυχέστερα και ασφαλέστερα εάν χρησιμοποιηθεί σύμφωνα με της προδιαγραφές του. Μη ζορίζετε το εργαλείο. Μη χρησιμοποιείτε το εργαλείο σε εργασίες για τις οποίες δεν είναι κατάλληλα. Για παράδειγμα, μη χρησιμοποιείτε διακοπρίονο για να κόψετε κλαδιά ή κορμούς δέντρων.

**Προσοχή!** Τόσο η χρήση εξαρτημάτων ή προσηθών όσο και η πραγματοποίηση εργασιών που δεν συνιστώνται στις οδηγίες αυτές εγκυμονεί κίνδυνο τραυματισμού.

### Ελέγχετε εάν το εργαλείο σας έχει θλάβες

Πριν από τη χρήση, ελέγξτε προσεκτικά το εργαλείο και το καλώδιο τροφοδοσίας για τυχόν ζημιές. Ελέγξτε για τυχόν κακή ευθυγράμμιση και εμπλοκή των κινούμενων μερών, για μέρη που έχουν σπάσει, για τυχόν ζημιές στους προφυλακτήρες και τους διακόπτες, και γενικά κάθε είδους συνθήκες οι οποίες ενδέχεται να επηρεάσουν τη λειτουργία του εργαλείου. Βεβαιωθείτε ότι το εργαλείο λειτουργεί κανονικά και χρησιμοποιείται για το σκοπό για τον οποίο προορίζεται. Μη χρησιμοποιείτε το εργαλείο αν κάποιο εξάρτημά του παρουσιάζει ελάττωμα. Μη χρησιμοποιείτε το εργαλείο, εάν ο διακόπτης δεν μπορεί να το θέσει εντός ή εκτός λειτουργίας. Φροντίστε για την επισκευή ή αντικατάσταση τυχόν ελαττωματικών εξαρτημάτων από εξουσιοδοτημένο κέντρο επισκευών. Ποτέ μην επιχειρήσετε να επισκευάσετε οι ίδιοι το εργαλείο.

**Βγάλετε το εργαλείο από την πρίζα**

Βγάλετε το εργαλείο από την πρίζα όταν το εργαλείο δεν χρησιμοποιείται, προτού αλλάξετε οποιοδήποτε ανταλλακτικό, παρελκόμενο ή εξάρτημα του εργαλείου, και πριν από τη συντήρησή του.

**Αποφύγετε την τυχαία εκκίνηση του εργαλείου**

Μη μεταφέρετε το εργαλείο έχοντας το δάκτυλό σας πάνω στο διακόπτη εκκίνησης. Όταν βάζετε την πρίζα, βεβαιωθείτε ότι ο διακόπτης του εργαλείου είναι κλειστός.

**Μην κακομεταχειρίζεστε το καλώδιο**

Ποτέ μη μεταφέρετε το εργαλείο κρατώντας το από το καλώδιο και μην το τραβάτε από το καλώδιο για να το βγάλετε από την πρίζα. Φροντίστε το καλώδιο να παραμένει μακριά από τη θερμότητα, τα λάδια και από αιχμηρές ακμές.

**Φυλάγετε τα εργαλεία σας σε ασφαλές μέρος**

Ηλεκτρικά εργαλεία που δεν χρησιμοποιούνται πρέπει να φυλάσσονται σε στεγνούς, κλειστούς χώρους ή σε μεγάλο ύψος, μακριά από παιδιά.

**Συντηρήστε προσεκτικά τα εργαλεία**

Φροντίστε τα εργαλεία σας να είναι κοφτερά και καθαρά, ώστε να προσφέρουν υψηλή απόδοση και ασφάλεια κατά τη χρήση τους. Ακολουθήστε τις σχετικές οδηγίες σε ότι αφορά τη συντήρηση και την αλλαγή των εξαρτημάτων. Φροντίστε οι λαβές και οι διακόπτες να είναι στεγνοί, καθαροί και χωρίς λάδια ή γράσα.

**Επισκευές**

Το εργαλείο αυτό συμμορφώνεται με τις σχετικές προϋποθέσεις ασφαλείας. Οι επισκευές θα πρέπει να γίνονται μόνο από ειδικευμένους τεχνικούς και με τη χρήση αποκλειστικά γνήσιων ανταλλακτικών, διαφορετικά υπάρχει το ενδεχόμενο σοβαρού κινδύνου για το χρήστη.

**Ηλεκτρική ασφάλεια**

Το εργαλείο σας φέρει διπλή μόνωση. Κατά συνέπεια δε χρειάζεται καλώδιο γείωσης. Ελέγχετε πάντοτε αν η τάση τροφοδοσίας αντιστοιχεί σε αυτήν που αναγράφεται στην πινακίδα στοιχείων του εργαλείου.

**Συμπληρωματικές οδηγίες ασφαλείας για τα εργαλεία κλαδέματος θάμνων**

Κατά τη χρήση αυτού του εργαλείου, να φοράτε προστατευτικά γυαλιά.



Κατά τη χρήση αυτού του εργαλείου, να φοράτε γάντια.



Κατά τη χρήση αυτού του εργαλείου, να φοράτε ωτοασπίδες.



Αποσυνδέστε αμέσως το καλώδιο τροφοδοσίας από την πρίζα αν έχει κοπεί ή καταστραφεί.



Μην αφήνετε το εργαλείο στη βροχή ή σε έντονη υγρασία.

- ♦ Κρατήστε το καλώδιο μακριά από τις λεπίδες όταν χρησιμοποιείτε το εργαλείο.
- ♦ Εάν δεν έχετε ξαναχρησιμοποιήσει εργαλείο κλαδέματος θάμνων, είναι προτιμότερο να ζητήσετε πρακτικές οδηγίες από έναν έμπειρο χρήστη αφού μελετήσετε αυτό το εγχειρίδιο.
- ♦ Ποτέ μην αγγίζετε τις λεπίδες όταν το εργαλείο είναι σε λειτουργία.
- ♦ Ποτέ μην επιχειρήσετε να ακινητοποιήσετε τις λεπίδες δια της βίας.
- ♦ Μην αποθέτετε το εργαλείο εάν δεν έχουν ακινητοποιηθεί τελείως οι λεπίδες.
- ♦ Ελέγχετε τακτικά τις λεπίδες για τυχόν ζημιές και φθορά. Μη χρησιμοποιείτε το εργαλείο αν οι λεπίδες εμφανίζουν ζημιές ή φθορά.
- ♦ Φροντίστε να αποφεύγετε τα σκληρά αντικείμενα (π.χ. μεταλλικά σύρματα, κάγκελα) όταν κλαδεύετε. Εάν προσκρούσετε σε τέτοιο αντικείμενο κατά λάθος, θέστε αμέσως το εργαλείο εκτός λειτουργίας, αποσυνδέστε το από την πρίζα και ελέγξτε για τυχόν ζημιές.
- ♦ Αν το εργαλείο αρχίσει να τρέμει αφύσικα, θέστε το αμέσως εκτός λειτουργίας και ελέγξτε για τυχόν ζημιές.
- ♦ Αν το εργαλείο μπλοκάρει, θέστε το αμέσως εκτός λειτουργίας. Βγάλετε το εργαλείο από την πρίζα πριν επιχειρήσετε να απομακρύνετε τυχόν εμπόδια.
- ♦ Μετά τη χρήση, τοποθετήστε τις λεπίδες στη θήκη που παρέχεται. Αποθηκεύστε το εργαλείο, επιβεβαιώνοντας ότι δεν είναι εκτεθειμένη η λεπίδα.
- ♦ Όταν χρησιμοποιείτε το εργαλείο, να βεβαιώνετε πάντα ότι έχουν τοποθετηθεί όλες οι λαβές και οι προφυλακτήρες. Ποτέ μην επιχειρείτε να χρησιμοποιήσετε ένα ελλειπές εργαλείο ή ένα εργαλείο που έχει υποστεί μη εγκεκριμένες τροποποιήσεις.
- ♦ Ποτέ μην αφήνετε παιδιά να χρησιμοποιούν το εργαλείο.
- ♦ Όταν χρησιμοποιείτε την περιστρεφόμενη λαβή, κρατήστε το μηχανήμα μακριά από το σώμα σας και από φαρδιά ρούχα.
- ♦ Προσέξτε τα απορρίμματα που πέφτουν όταν κόβετε τις υψηλότερες πλειυρές ενός θάμνου.

**Χαρακτηριστικά**

Το εργαλείο διαθέτει όλα ή ορισμένα από τα εξής χαρακτηριστικά:

1. Διακόπτης λαβής
2. Διακόπτης σκανδάλης
3. Περιστρεφόμενη λαβή
4. Κομπι απέλυθέρωσης λαβής
5. Λεπίδα
6. Θήκη λεπίδας

Αυτό το εργαλείο κλαδέματος θάμνων διαθέτει τα ακόλουθα χαρακτηριστικά προς όφελός σας:

- ♦ Πρωτοποριακή λαβή για άνετη κοπή.
- ♦ Λεπίδες κομμένες με λείζερ και επεξεργασμένες με διαμάντι για βελτιωμένη κοπή.
- ♦ Λεπίδες διπλής δράσης για ελάττωση των κραδασμών.

## Χρήση

### Αλλαγή της θέσης της περιστρεφόμενης λαβής

**Προειδοποίηση!** Πριν αλλάξετε τη θέση της περιστρεφόμενης λαβής, βεβαιωθείτε ότι το εργαλείο είναι εκτός λειτουργίας και ότι δεν είναι στην πρίζα.

### Περιστροφή της λαβής προς τη δεξιά θέση (εικ. A1 & A2)

Το εργαλείο κλαδέματος θάμνων θα σας φτάσει με τη λαβή στην εμπρόσθια θέση. Για να περιστρέψετε τη λαβή, ακολουθήστε τα παρακάτω βήματα:

- ♦ Σηριζίτε την κάτω πλευρά της μονάδας με το ένα χέρι.
- ♦ Πατήστε το κουμπί απελευθέρωσης (4) με τον αντίχειρά σας και στρέψτε τη χειρολαβή (3) προς τα πίσω με το άλλο σας χέρι.
- ♦ Μετακινήστε τη λαβή πλήρως προς τη δεξιά θέση. Βεβαιωθείτε ότι η λαβή έχει ασφαλίσει στη θέση της.

### Περιστροφή της λαβής στην εμπρόσθια θέση (εικ. B1 & B2)

Για να μετακινήσετε τη λαβή από τη δεξιά στην εμπρόσθια θέση, ακολουθήστε τα παρακάτω βήματα:

- ♦ Σηριζίτε την κάτω πλευρά της μονάδας με το ένα χέρι.
- ♦ Πατήστε το κουμπί απελευθέρωσης (4) με τον αντίχειρά σας και στρέψτε τη χειρολαβή (3) προς τα εμπρός με το άλλο σας χέρι.
- ♦ Μετακινήστε τη λαβή πλήρως προς την εμπρόσθια θέση. Βεβαιωθείτε ότι η λαβή έχει ασφαλίσει στη θέση της.

### Σύνδεση του εργαλείου στην ηλεκτρική παροχή

Εκτός και εάν το εργαλείο παρέχεται με ηλεκτρικό καλώδιο, θα πρέπει να συνδέσετε μια προέκταση στην είσοδο της τροφοδοσίας.

- ♦ Συνδέστε το θηλυκό φις μιας κατάλληλης προέκτασης στην είσοδο τροφοδοσίας του εργαλείου.
- ♦ Συνδέστε το φις σε μια πρίζα.

**Προειδοποίηση!** Η προέκταση πρέπει να είναι κατάλληλη για την χρήση σε εξωτερικό χώρο. Όταν χρησιμοποιείτε καρούλι καλώδιου, πάντα να ξετυλίγετε τελείως το καλώδιο.

### Εναρξη και παύση της λειτουργίας

**Προειδοποίηση!** Αφήστε το εργαλείο να λειτουργήσει με το δικό του ρυθμό. Μην το υπερφορτώνετε.

- ♦ Τοποθετήστε προσεκτικά το καλώδιο ώστε να μην το κόψετε κατά λάθος. Ένας καλός τρόπος να ελέγχετε το καλώδιο είναι να το περάσετε πάνω από τον ώμο σας.
- ♦ Για την ασφάλειά σας, το εργαλείο διαθέτει διπλό σύστημα εκκίνησης. Αυτό το σύστημα προλαμβάνει την ακούσια εκκίνηση του εργαλείου και επιτρέπει τη λειτουργία μόνο όταν κρατάτε το εργαλείο και με τα δύο χέρια.

### Θέση σε λειτουργία

**Προειδοποίηση!** Βεβαιωθείτε ότι η λαβή έχει ασφαλίσει πλήρως είτε στην εμπρόσθια είτε στη δεξιά θέση.

- ♦ Πατήστε κάποιον από τους διακόπτες της λαβής (1).
- ♦ Πατήστε το διακόπτη της σκανδάλης (2) για να τεθεί το εργαλείο σε λειτουργία.

### Θέση εκτός λειτουργίας

- ♦ Αφήστε το διακόπτη της λαβής (1) ή το διακόπτη της σκανδάλης (2).

**Προειδοποίηση!** Ποτέ μην επιχειρήσετε να ασφαλίσετε κάποιο διακόπτη στη θέση λειτουργίας (on).

### Συμβουλές για άριστη χρήση

- ♦ Ξεκινήστε κλαδεύοντας την κορυφή του θάμνου. Γείρετε ελάχιστα το εργαλείο (έως 15<gra>σε σχέση με τη γραμμή κοπής) ώστε τα άκρα της λεπίδας να δείχνουν ελαφρά προς το μέρος του θάμνου (εικ. C1 & C3). Έτσι οι λεπίδες θα κόβουν πιο αποτελεσματικά. Κρατάτε το εργαλείο στην επιθυμητή γωνία και κινήστε το σταθερά κατά μήκος της γραμμής κοπής. Η λεπίδα διπλής όψης σας επιτρέπει να κόβετε προς οποιαδήποτε κατεύθυνση.
- ♦ Για να κόψετε σε απόλυτη ευθεία, τεντώστε ένα κομμάτι σπάγκου κατά μήκος του θάμνου στο επιθυμητό ύψος. Χρησιμοποιήστε το σπάγκο ως οδηγό, κόβοντας λίγο πιο πάνω από αυτόν.
- ♦ Για να επιτύχετε επίπεδες πλευρές, κόβετε προς τα πάνω προς την κατεύθυνση της ανάπτυξης του φυτού. Οι νεότεροι μίσχοι μετακινούνται προς τα έξω όταν η λεπίδα κόβει προς τα κάτω, προκαλώντας έτσι κενά σημεία στο θάμνο.
- ♦ Με τη λαβή στην εμπρόσθια θέση, το εργαλείο μπορεί να χρησιμοποιηθεί για την κοπή των υψηλότερων πλευρών των θάμνων. Μετακινήστε το εργαλείο από τη μία άκρη στην άλλη σε τόξο 40° (εικ. C2).
- ♦ Προσέχετε να αποφύγετε τυχόν ξένα αντικείμενα. Αποφεύγετε ειδικά τα σκληρά αντικείμενα, όπως μεταλλικά σύρματα και κάγκελα, καθώς μπορεί να προκαλέσουν ζημιά στις λεπίδες.
- ♦ Λαδώνετε τακτικά τις λεπίδες.

**Πότε να ψαλιδίσετε**

- Ως γενικός κανόνας, οι φράκτες και οι θάμνοι με εποχιακά φύλλα (νέα κάθε χρόνο) μπορούν να ψαλιδιστούν τον Ιούνιο και τον Οκτώβριο.
- Τα αειθαλή δέντρα μπορούν να ψαλιδιστούν τον Απρίλιο και τον Αύγουστο.
- Κωνοφόρα δέντρα και άλλοι θάμνοι που αναπτύσσονται γρήγορα μπορούν να ψαλιδίζονται περίπου κάθε έξι μήνες, από τον Μάιο και μετέπειτα.

**Συντήρηση**

Αυτό το εργαλείο έχει σχεδιαστεί έτσι ώστε να λειτουργεί για μεγάλο χρονικό διάστημα με την ελάχιστη δυνατή συντήρηση. Η αδιάλειπτη και κανονική λειτουργία του εργαλείου εξαρτάται από τη φροντίδα και τον τακτικό καθαρισμό.

**Προειδοποίηση!** Πριν από οποιαδήποτε εργασία συντήρησης στο εργαλείο, θα πρέπει να το σβήσετε και να το βγάλετε από την πρίζα.

- Μετά τη χρήση, καθαρίζετε προσεκτικά τις λεπίδες. Μετά τον καθαρισμό, απλώστε μια στρώση ελαφίου λαδιού μηχανής για να αποφύγετε το σκουπίσμα των λεπίδων.
- Να καθαρίζετε τακτικά τις εγκοπές εξασρισμού του εργαλείου σας χρησιμοποιώντας μαλακή βούρτσα ή στεγνό πανί.
- Να καθαρίζετε τακτικά το περιβλήμα του μωτέρ χρησιμοποιώντας ένα υγρό πανί. Μη χρησιμοποιείτε αποξεστικά καθαριστικά ή υγρά καθαρισμού που περιέχουν διαλύτες.
- Βεβαιωθείτε ότι τα κουμπιά απελευθέρωσης και οι διακόπτες της λαβής δεν έχουν ακαθαρσίες πριν και μετά τη χρήση.
- Να φυλάσσετε το εργαλείο πάντα με τη λαβή ασφαλισμένη στην εμπρόσθια θέση.

**Αντιμετώπιση προβλημάτων**

Αν το εργαλείο δεν λειτουργεί σωστά, ελέγξτε τα ακόλουθα:

Πρόβλημα	Πιθανή αιτία	Λύση
Το εργαλείο δεν ξεκινά	Καμμένη ασφάλεια	Αντικαταστήστε την ασφάλεια
	Ενεργοποιημένο RCD	Ελέγξτε το RCD
	Το καλώδιο τροφοδοσίας δεν είναι συνδεδεμένο	Ελέγξτε την παροχή ρεύματος
	Δεν έχει ασφαλίσει η λαβή	Αφήστε τη λαβή και τοποθετήστε την πάλι

**Προστασία του περιβάλλοντος**

Η Black & Decker δίνει τη δυνατότητα ανακύκλωσης των προϊόντων της που έχουν συμπληρώσει τη διάρκεια ζωής τους. Η υπηρεσία αυτή είναι δωρεάν. Αν θέλετε να χρησιμοποιήσετε την εν λόγω υπηρεσία, επιστρέψτε το προϊόν σας σε οποιοδήποτε εξουσιοδοτημένο κέντρο επισκευών, όπου θα το παραλάβουν εκ μέρους σας.

Ενημερωθείτε για το πλησιέστερο κέντρο επισκευών της περιοχής σας, επικοινωνώντας με τα γραφεία της Black & Decker στη διεύθυνση που αναγράφεται στο εγχειρίδιο. Επίσης, για να πληροφορηθείτε για τα εξουσιοδοτημένα κέντρα επισκευών της Black & Decker, τις λεπτομέρειες και τους αρμόδιους των υπηρεσιών που παρέχονται μετά την πώληση, μπορείτε να ανατρέξετε στο Διαδίκτυο στη διεύθυνση: [www.2helpU.com](http://www.2helpU.com).

**Τεχνικά χαρακτηριστικά**

	GT370	GT371
Τάση	V <sub>AC</sub> 230	230
Ισχύς εισόδου	W 300	300
Διαδρομές λεπίδας (χωρίς φορτίο)	min <sup>-1</sup> 1.350	1.350
Μήκος λεπίδας	cm 50	60
Διάκενο λεπίδας	mm 20	20
Χρόνος πέδησης λεπίδας	s < 1,0	< 1,0
Βάρος (χωρίς καλώδιο τροφοδοσίας)	kg 2,6	2,7

**Δήλωση συμμόρφωσης με την Ευρωπαϊκή Κοινότητα**

Η Black & Decker δηλώνει ότι τα προϊόντα αυτά συμμορφώνονται με:

98/37/EOK, 89/336/EOK, 73/23/EOK, EN 50144, EN 55014, EN 61000,

2000/14/EOK, κλαδέματος θάμνων, ≤ 520 kW, Παράρτημα L<sub>PA</sub> (πίεση ήχου): 86 dB(A), L<sub>WA</sub> (ακουστική ισχύς) 100 dB(A), L<sub>WA</sub> (εγγυημένη) 103 dB(A), χειροβραχιονική δόνηση < 2,5 m/s<sup>2</sup>

Kevin Hewitt  
Διευθυντής Εξυπηρέτησης Πελατών  
Spennymoor, County Durham DL16 6JG,  
Αγγλία  
1-10-2003

## Εγγύηση

Η Black & Decker είναι σίγουρη για την ποιότητα των προϊόντων της και παρέχει σημαντική εγγύηση. Η παρούσα γραπτή εγγύηση αποτελεί πρόσθετο δικαίωμά σας και δεν ζημιώνει τα συνταγματικά σας δικαιώματα. Η εγγύηση ισχύει εντός της επικράτειας των Κρατών Μελών της Ευρωπαϊκής Ένωσης και της Ευρωπαϊκής Ζώνης Ελευθέρων Συναλλαγών.

Σε περίπτωση που κάποιο προϊόν της Black & Decker παρουσιάσει βλάβη εξαιτίας ελαττωματικών υλικών, ποιότητας εργασίας ή έλλειψης συμφωνίας με τις προδιαγραφές εντός 24 μηνών από την ημερομηνία αγοράς, η Black & Decker εγγυάται την αντικατάσταση των ελαττωματικών τμημάτων, την επισκευή προϊόντων που έχουν υποστεί εύλογη φθορά λόγω χρήσης ή την αντικατάσταση των προϊόντων προκειμένου να εξασφαλιστεί την ελάχιστη ενόχληση στους πελάτες της, εκτός αν:

- ♦ Το προϊόν έχει χρησιμοποιηθεί σε εργασιακό, επαγγελματικό περιβάλλον ή αν έχει ενοικιαστεί
- ♦ Έχει γίνει εσφαλμένη χρήση του προϊόντος ή αν έχει παραμεληθεί
- ♦ Το προϊόν έχει υποστεί βλάβη από άλλα αντικείμενα, από ουσίες ή λόγω ατυχήματος
- ♦ Έχει γίνει προσπάθεια επισκευής από μη εξουσιοδοτημένα κέντρα επισκευών ή από προσωπικό που δεν ανήκει στο προσωπικό της Black & Decker

Για να ισχύσει η εγγύηση, πρέπει να υποβάλετε απόδειξη αγοράς στον πωλητή ή το εξουσιοδοτημένο κέντρο επισκευών. Ενημερωθείτε για το πλησιέστερο κέντρο επισκευών της περιοχής σας, επικοινωνώντας με τα γραφεία της Black & Decker στη διεύθυνση που αναγράφεται στο εγχειρίδιο. Επίσης, για να πληροφορηθείτε για τα εξουσιοδοτημένα κέντρα επισκευών της Black & Decker, τις λεπτομέρειες και τους αρμόδιους των υπηρεσιών που παρέχονται μετά την πώληση, μπορείτε να ανατρέξετε στο Διαδίκτυο στη διεύθυνση: **[www.2helpU.com](http://www.2helpU.com)**

Παρακαλώ εγγραφείτε στο website μας, **[www.blackanddecker.com](http://www.blackanddecker.com)**, για να ενημερώνεστε σχετικά με τα νέα μας προϊόντα και τις ειδικές προσφορές μας. Περισσότερες πληροφορίες σχετικά με τη μάρκα Black & Decker και τη σειρά προϊόντων μας θα βρείτε στη διεύθυνση **[www.blackanddecker.com](http://www.blackanddecker.com)**.









<b>Australia</b>	Black & Decker (Australia) Pty. Ltd. 20 Fletcher Road, Mooroolbark, Victoria, 3138	Tel. 03-8720 5100 Fax 03-9727 5940
<b>Belgique/België</b>	Black & Decker (Belgium) N.V. Campus Noord, Schaliënhoevedreef 20E 2800 Mechelen	Tel. 015 - 47 92 11 Fax 015 - 47 92 10
<b>Danmark</b>	Black & Decker Hejrevang 26B, 3450 Allerød Internet: www.blackdecker.dk	Tel. 70 20 15 10 Fax 48 14 63 30
<b>Deutschland</b>	Black & Decker GmbH Black & Decker Str. 40, D - 65510 Idstein	Tel. 06126/21 - 0 Fax 06126/21 29 80
<b>Ελλάδα</b>	Black & Decker (Ελλάς) Α.Ε. Στράβωνος 7 & Λεωφ. Βουλιαγμένης 159 166 74 Γλυφάδα - Αθήνα	Τηλ. 210 8981616 Τηλ. 210 8982630 Φαξ Service 210 8983285
<b>España</b>	Black & Decker Ibérica, S.C.A. Parque de Negocios "Mas Blau" Edificio Muntadas, c/Bergadá, 1, Of. A6 08820 El Prat de Llobregat (Barcelona)	Tel. 934 797 400 Fax 934 797 419
<b>France</b>	Black & Decker (France) S.A.S. B.P. 21, 69571 Dardilly Cédex	Tel. 04 72 20 39 20 Fax 04 72 20 39 00
<b>Helvetia</b>	ROFO AG Gewerbezone Seeblick 3213 Kleinbödingen	Tel. 026-6749391 Fax 026-6749394
<b>Italia</b>	Black & Decker Italia SpA Viale Elvezia 2 20052 Monza (MI)	Tel. 039-23871 Fax 039-2387592/2387594 Numero verde 800-213935
<b>Nederland</b>	Black & Decker Benelux Joulehof 12, 4622 RG Bergen op Zoom	Tel. 0164 - 283000 Fax 0164 - 283100
<b>New Zealand</b>	Black & Decker 81 Hugo Johnston Drive Penrose, Auckland, New Zealand	Tel. 09 579 7600 Fax 09 579 8200
<b>Norge</b>	Black & Decker (Norge) A/S Postboks 248, Leirdal, 1011 Oslo Internet: www.blackdecker.no	Tif. 22 90 99 00 Fax 22 90 99 01
<b>Österreich</b>	Black & Decker Vertriebsges.m.b.H Erlaaerstraße 165, 1231 Wien	Tel. 01 66116-0 Fax 01 66116-14
<b>Portugal</b>	Black & Decker Rua Egas Moniz 173 S. João do Estoril 2766-651 Estoril	Tel. 214667500 Fax 214667575
<b>Suomi</b>	Black & Decker Oy Palotie 3, 01610 Vantaa Black & Decker Oy, Brandvägen 3, 01610 Vanda	Puh: (09) 825 4540 Fax: (09) 8254 5444 Tel: (09) 825 4540 Fax: (09) 8254 5444
<b>Sverige</b>	Black & Decker AB Box 603, 421 26 Västra Frölunda, Besöksadr. Ekonomivägen 11	Tel: 031-68 60 00 Fax: 031-68 60 08
<b>Türkiye</b>	İntratek Mühendislik ve Dış Tic. A.Ş. Ortaklar Cad. No:19/2 80290 Mecidiyeköy / İstanbul	Tel. 0212 211 22 10 Faks 0212 266 33 03
<b>United Kingdom</b>	Black & Decker 210 Bath Road Slough, Berkshire SL1 3YD	Tel. 01753 511234 Fax 01753 551155 Helpline 01753 574277

Dealer address  
Händleradresse  
Cachet du revendeur  
Indirizzo del rivenditore  
Adres van de dealer  
Dirección del detallista  
Morada do revendedor  
Aterforsäljarens adress  
Forhandlens adresse  
Forhandler adresse  
Jälleenmyyjän osoite  
Διεύθυνση αντιπροσώπου

Date of purchase  
Kaufdatum  
Date d'achat  
Data d'acquisto  
Aankoopdatum  
Fecha de compra  
Data de compra  
Inkõpsdatum  
Inimõpsdato  
Indkøbsdato  
Ostopaivä  
Ημερομηνία αγοράς

◆ Name ◆ Nom ◆ Nome ◆  
◆ Naam ◆ Nombre ◆ Nome ◆ Namn ◆  
◆ Navn ◆ Navn ◆ Nimi ◆ Ovnoma:

◆ Address ◆ Adresse ◆ Adresse ◆ Indirizzo ◆  
Adres ◆ Dirección ◆ Morada ◆ Address ◆  
Adresse ◆ Adresse ◆ Osoite ◆ Διεύθυνση:

◆ Town ◆ Ort ◆ Ville ◆ Citta ◆ Plaats  
◆ Ciudad ◆ Localidade ◆ Ort ◆ By ◆  
◆ Paikkakunta ◆ Πόλη:

◆ Postal code ◆ Postleitzahl ◆ Code postal ◆  
Codice postale ◆ Postcode  
◆ Código ◆ Código postal ◆ Postnr.  
◆ Postnr. ◆ Postnr. ◆ Postnummero  
◆ Κωδικός

◆ Is this tool a gift? ◆ Ist dieses Gerät ein Geschenk? ◆ S'agit-il d'un cadeau? ◆ Si tratta di un regalo? ◆ Kreeg u de machine als cadeau? ◆ ¿Ha recibido usted esta herramienta como regalo? ◆ Recebeu esta ferramenta como presente? ◆ Ar verkjøyget en gave? ◆ Er verkjøyet en gave? ◆ Onko kome lahja? ◆ Το εργαλείο είναι δώρο? ◆ Yes ◆ Ja ◆ Oui ◆ Si ◆ Ja ◆ Si ◆ Sim ◆ Ja ◆ Ja ◆ Ja ◆ Kyllä ◆ Nai ◆ No ◆ Nein ◆ Non ◆ No ◆ Nee ◆ No ◆ Não ◆ Nej ◆ Nei ◆ Nej ◆ Ei ◆ Oxi

◆ Is this tool your first purchase? ◆ Ist dieses Gerät ein Erstkauf? ◆ Est-ce un 1er achat? ◆ Questo prodotto è il suo primo acquisto? ◆ Is deze machine uw eerste aankoop? ◆ ¿Es esta herramienta la primera de este tipo? ◆ Esta ferramenta é a primeira compra? ◆ Är detta ditt första B&D-verktyg? ◆ Er dette ditt første B&D-verktoy? ◆ Onko tämä ensimmäinen B&D-

koneesi? ◆ Είναι το εργαλείο αυτό η πρώτη σας αγορά? ◆ Yes ◆ Ja ◆ Oui ◆ Si ◆ Ja ◆ Si ◆ Sim ◆ Ja ◆ Ja ◆ Ja ◆ Kyllä ◆ Nai ◆ No ◆ Nein ◆ Non ◆ No ◆ Nee ◆ No ◆ Não ◆ Nej ◆ Nei ◆ Nej ◆ Ei ◆ Oxi

◆ Dealer address ◆ Händleradresse  
◆ Cachet du revendeur ◆ Indirizzo del rivenditore ◆ Adres van de dealer  
◆ Dirección del detallista ◆ Morada do revendedor ◆ Aterforsäljarens adress  
◆ Forhandlens adresse ◆ Forhandler adresse  
◆ Jälleenmyyjän osoite  
◆ Διεύθυνση αντιπροσώπου

Cat. no.:



◆ Data protection act: Tick the box if you prefer not to receive further information. ◆ Bitte ankreuzen, falls Sie keine weiteren Informationen erhalten möchten. ◆ Si vous ne souhaitez pas recevoir d'informations, cochez cette case. ◆ Barrate la casella se non desiderate ricevere informazioni. ◆ A.u.b. dit vakje aankruisen indien u geen informatie wenst te ontvangen. ◆ Señale en la casilla sino quiere recibir información. ◆ Por favor, assinala com uma cruz se não desejar receber informação. ◆ Vänligen kryssa för I rutan om Ni inte vill ha information. ◆ Vermåligst kryss av dersom du ikke ønsker informasjon. ◆ Venligst sæt kryds i ruden såfremt De ikke måtte ønske at modtage information.

◆ Merkitkää rasti ruutuun, mikäli ette halua vastalaajoitaa informaatiota.  
◆ Παρακαλείστε να σημειώσετε εάν δεν θέλετε να πάρετε πληροφορίες.

- ◆ GUARANTEE CARD
- ◆ GARANTIEKAART
- ◆ GARANTI KORT
- ◆ GARANTIEKARTE
- ◆ TARJETA DE GARANTIA
- ◆ GARANTI KORTI
- ◆ CARTE DE GARANTIE
- ◆ CARTÃO DE GARANTIA
- ◆ TAKUUKORTTI
- ◆ TAGLIANDO DI GARANZIA
- ◆ GARANTIBEVIS
- ◆ KAPTA EFTYHSHZ

**English**

Please complete this section immediately after the purchase of your tool and send it to Black & Decker in your country. If you live in Australia or New Zealand, please register by using the alternative guarantee card supplied.

**Deutsch**

Bitte schneiden Sie diesen Abschnitt ab, stecken ihn in einen frankierten Umschlag und schicken ihn an die Black & Decker Adresse Ihres Landes.

**Français**

Découpez cette partie et envoyez-la sous enveloppe timbrée à l'adresse de Black & Decker dans votre pays, ceci immédiatement après votre achat.

**Italiano**

Per favore ritagliate questa parte, inseritela in una busta con francobollo e spediteola subito dopo l'acquisto del prodotto all'indirizzo della

Black & Decker nella vostra nazione.

**Nederlands**

Knip dit gedeelte uit en zend het direct na aankoop in een gefrankeerde, geaddresseerde envelop naar het adres van Black & Decker in uw land.

**Español**

Después de haber comprado su herramienta envíe usted, por favor, esta tarjeta a la central de Black & Decker en su país.

**Português**

Por favor, recorte esta parte, coloque-a num envelope selado e endereçado e envie-o logo após a compra do seu produto para o endereço da Black & Decker do seu país.

**Svenska**

Var vänlig klipp ur denna del och sänd den i ett frankerat kuvert till Black & Deckers adress i Ditt land.

**Norsk**

Vennligst klipp ut denne delen umiddelbart etter du har pakket ut ditt produkt og legg det i en adressert konvolutt til Black & Decker (Norge) AS.

**Dansk**

Venligst klip denne del ud og send frankeret til Black & Decker i dit land.

**Suomi**

Leikkaa irti tämä osa, laita se kuoreen ja postita kuori paikalliseen Black & Decker osoitteeseen.

**Ελληνικά**

Παράκατω κόψτε αυτό το κομμάτι και ταχυδρομήστε το αμέσως μετά την αγορά του προϊόντος σας στην διεύθυνση της Black & Decker στην Ελλάδα.