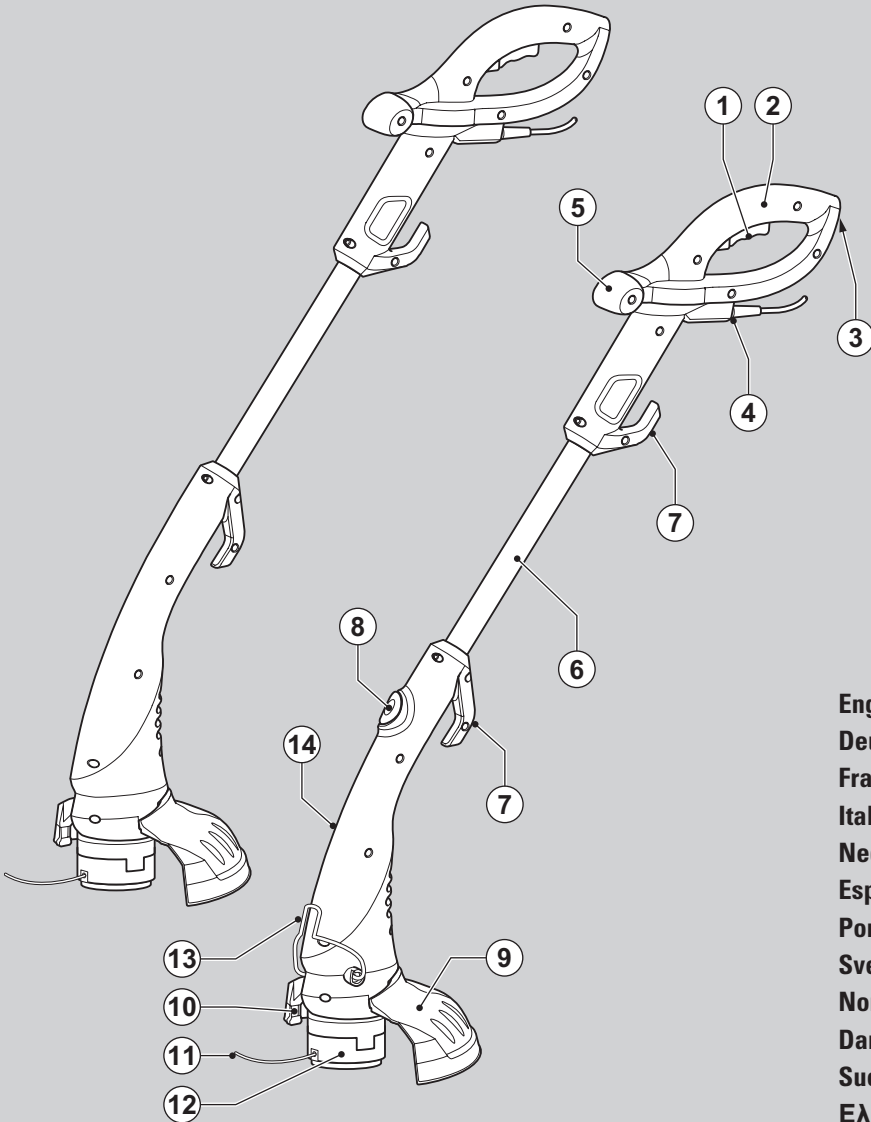
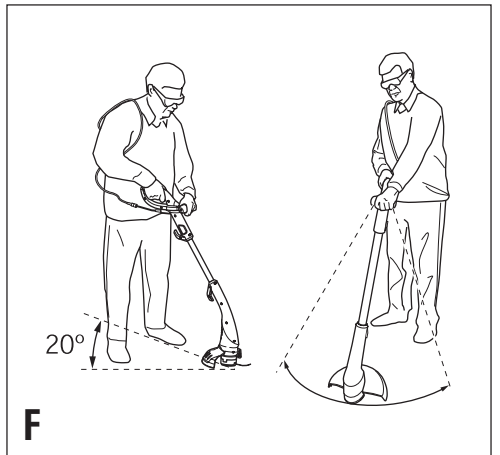
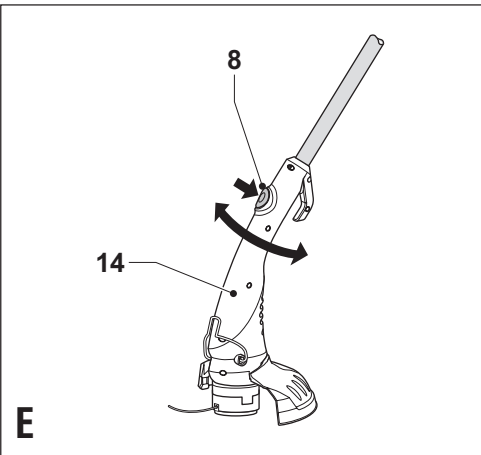
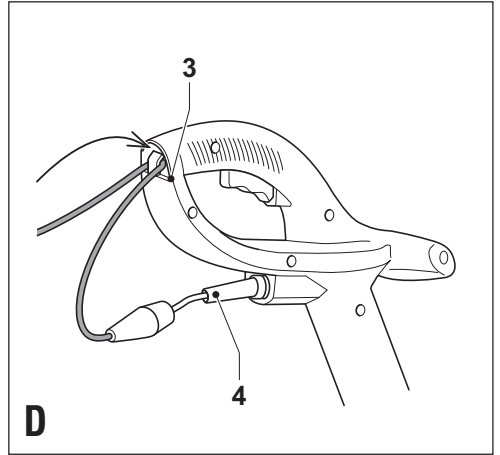
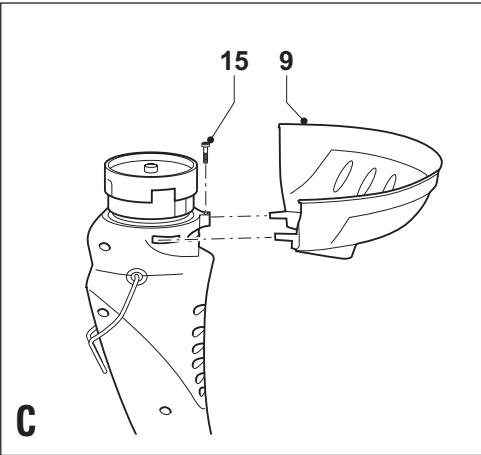
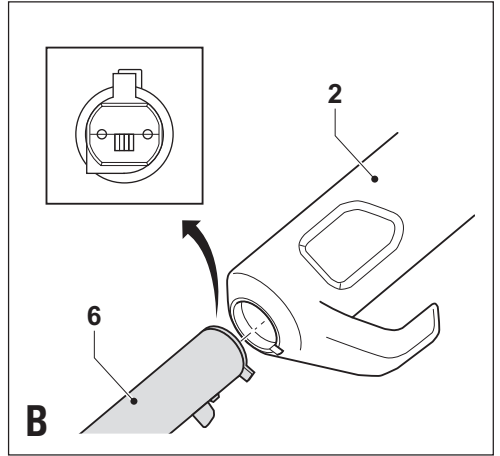
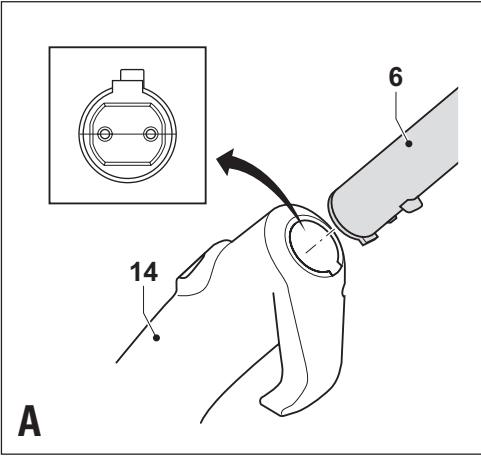


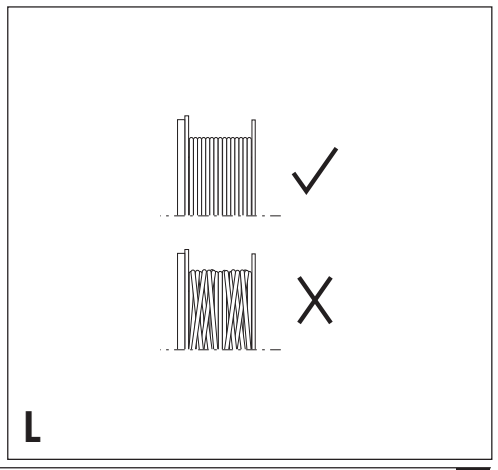
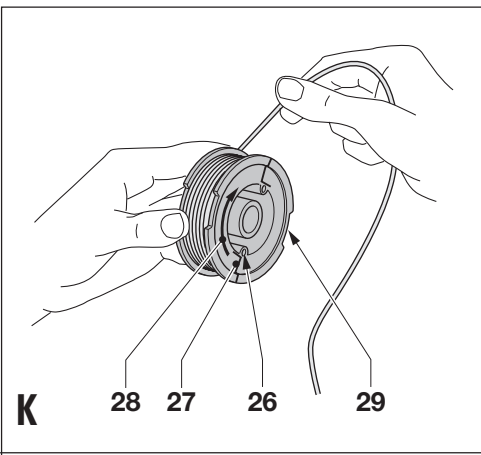
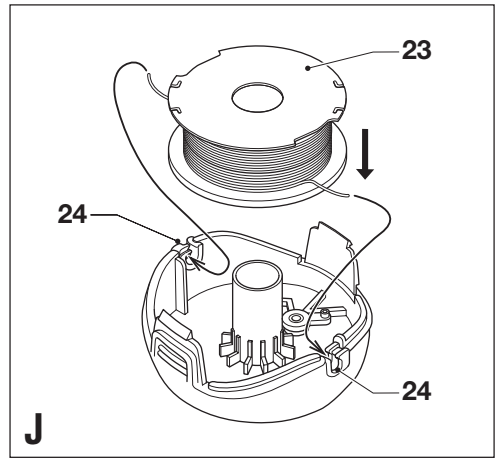
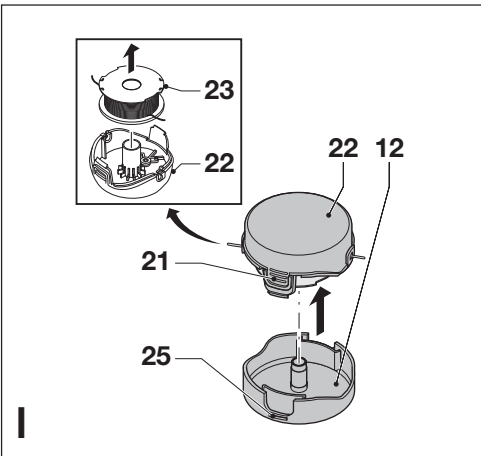
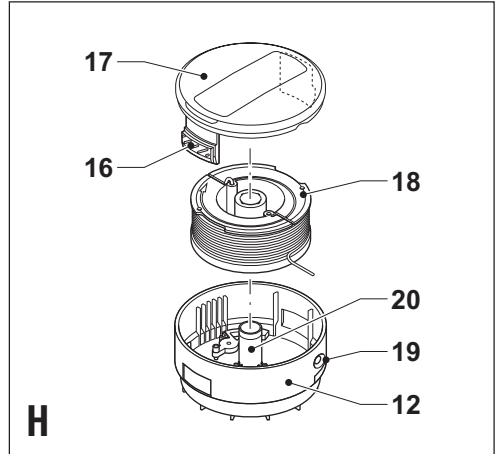
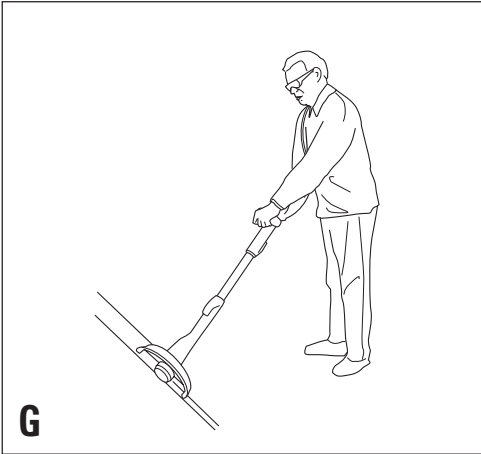


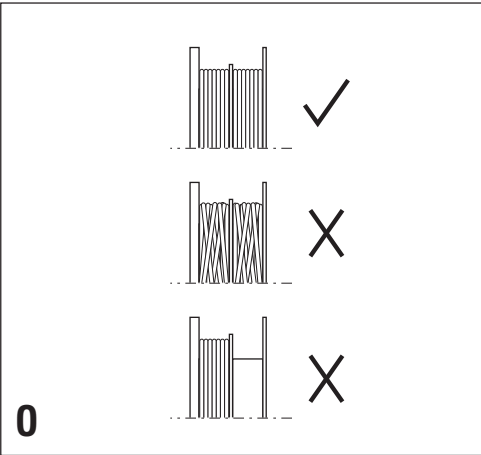
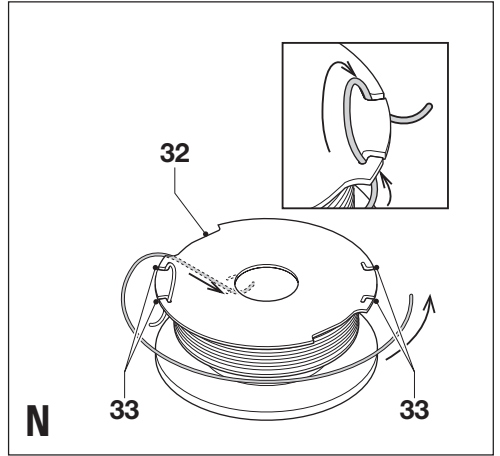
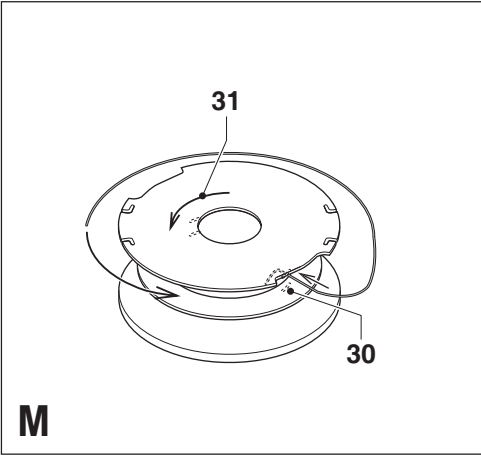
BLACK & DECKER®



English	5
Deutsch	11
Français	18
Italiano	24
Nederlands	30
Español	36
Português	43
Svenska	49
Norsk	55
Dansk	61
Suomi	67
Ελληνικά	73







Intended use

Your Black & Decker strimmer has been designed for trimming and finishing lawn edges and to cut grass in confined spaces. This tool is intended for consumer use only.

Safety instructions

- ◆ **Warning!** When using mains-powered tools, basic safety precautions, including the following, should always be followed to reduce the risk of fire, electric shock, personal injury and material damage.
- ◆ Read all of this manual carefully before operating the tool.
- ◆ Retain this manual for future reference.
- ◆ Remove the plug from the socket before carrying out any adjustment, servicing or maintenance.

Keep work area clean

Cluttered areas and benches can cause accidents.

Consider work area environment

Do not expose the tool to rain. Do not use the tool in damp or wet conditions. Keep the work area well lit. Do not use the tool where there is a risk of causing fire or explosion, e.g. in the presence of flammable liquids and gases.

Keep children away

Do not allow children, visitors or animals to come near the work area or to touch the tool or mains cable.

Dress properly

Do not wear loose clothing or jewellery, as these can be caught in moving parts. Preferably wear rubber gloves and non-slip footwear when working outdoors. Wear protective hair covering to keep long hair out of the way.

Personal protection

Always use safety glasses. Use a face or dust mask whenever the operations may produce dust or flying particles. Hearing protection should be worn.

Guard against electric shock

Prevent body contact with earthed or grounded surfaces (e.g. pipes, radiators, cookers and refrigerators). Electric safety can be further improved by using a high-sensitivity (30 mA / 30 m_s) residual current device (RCD).

Do not overreach

Keep proper footing and balance at all times.

Stay alert

Watch what you are doing. Use common sense. Do not operate the tool when you are tired.

Secure workpiece

Use clamps or a vice to hold the workpiece. It is safer and it frees both hands to operate the tool.

Connect dust extraction equipment

If devices are provided for the connection of dust extraction and collection facilities, ensure that these are connected and properly used.

Remove adjusting keys and wrenches

Always check that adjusting keys and wrenches are removed from the tool before operating the tool.

Extension cables

Before use, inspect the extension cable and replace if damaged. When using the tool outdoors, only use extension cables intended for outdoor use. Up to 30 m of Black & Decker extension cable can be used without loss of power.

Use appropriate tool

The intended use is described in this instruction manual. Do not force small tools or attachments to do the job of a heavy-duty tool. The tool will do the job better and safer at the rate for which it was intended. Do not force the tool. Do not use the tool for purposes not intended, for example, do not use a circular saw to cut tree limbs or logs.

Warning! The use of any accessory or attachment or performance of any operation with this tool other than those recommended in this instruction manual may present a risk of personal injury.

Check for damaged parts

Before use, carefully check the tool and mains cable for damage. Check for misalignment and seizure of moving parts, breakage of parts, damage to guards and switches and any other conditions that may affect its operation. Ensure that the tool will operate properly and perform its intended function. Do not use the tool if any part is damaged or defective. Do not use the tool if the switch does not turn it on and off. Have any damaged or defective parts repaired or replaced by an authorised repair agent. Never attempt any repairs yourself.

Unplug the tool

Unplug the tool when it is not in use, before changing any parts of the tool, accessories or attachments and before servicing.

Avoid unintentional starting

Do not carry the tool with a finger on the on/off switch. Be sure that the tool is switched off when plugging in.

Do not abuse cord

Never carry the tool by its cord or pull it to disconnect from the socket. Keep the cord away from heat, oil and sharp edges.

Store idle tools

When not in use, tools should be stored in a dry, locked up or high place, out of reach of children.

Maintain tools with care

Keep cutting tools sharp and clean for better and safer performance. Follow the instructions for maintenance and changing accessories. Keep handles and switches dry, clean and free from oil and grease.

Repairs

This tool complies with relevant safety requirements. Repairs should only be carried out by qualified persons using original spare parts; otherwise this may result in considerable danger to the user.

Electrical safety



This tool is double insulated; therefore no earth wire is required. Always check that the power supply corresponds to the voltage on the rating plate.

Additional safety instructions for grass trimmers

The following warning symbols are found on the tool:



Read the manual prior to operation.



Wear safety glasses or goggles when operating this tool.



Keep people and animals at least 6 m away from the cutting area.



Do not expose the tool to rain or high humidity.

- ◆ Be familiar with the controls and the proper use of the equipment.
- ◆ Only use the machine in daylight or good artificial light.
- ◆ Before use check the supply and extension cord for any signs of damage or aging. If the cord becomes damaged during use, disconnect the cord from the supply immediately. **DO NOT TOUCH THE CORD BEFORE DISCONNECTING THE SUPPLY.**
- ◆ Do not use the lawn trimmer (edge trimmer), if the cords are damaged or worn.
- ◆ Wear stout shoes or boots to protect your feet.

- ◆ Wear long trousers to protect your legs.
- ◆ Before using the tool, check that your cutting path is free from sticks, stones, wire and any other obstacles.
- ◆ Only use the tool in the upright position, with the cutting line near the ground. Never switch the tool on in any other position.
- ◆ Move slowly when using the tool. Be aware that freshly cut grass is damp and slippery.
- ◆ Do not work on steep slopes. Work across the face of slopes, not up and down.
- ◆ Never cross gravel paths or roads while the tool is running.
- ◆ Never touch the cutting line while the tool is running.
- ◆ Do not put the tool down until the cutting line has come to a complete standstill.
- ◆ Use only the appropriate type of cutting line. Never use metal cutting line or fishing line.
- ◆ Be careful not to touch the line trimming blade.
- ◆ Take care to keep the mains cable away from the cutting line. Always be aware of the position of the cable.
- ◆ Keep hands and feet away from the cutting means at all times and especially when switching on the motor.
- ◆ Warning. Cutting elements continue to rotate after the motor is switched off.
- ◆ Never operate the machine with damaged guards or without the guards in place.
- ◆ Always ensure that the ventilation openings are kept clear of debris.

Features

This tool includes some or all of the following features.

1. On/off switch
2. Handle
3. Cable restraint
4. Power inlet
5. Secondary handle
6. Tube
7. Cable storage hooks
8. Adjustment button
9. Guard
10. Line trimming blade
11. Cutting line
12. Spool housing
13. Edge guide
14. Head

Assembly

Warning! Before assembly, make sure that the tool is switched off and unplugged.

Attaching the tube to the head (fig. A)

- ◆ Align the rectangular tab of the tube (6) with the location in the head (14).
- ◆ Insert the tube into the head and push until it clicks into place.

Attaching the handle to the tube (fig. B)

- ◆ Align the square tab of the tube (6) with the location in the handle (2).
- ◆ Insert the tube into the handle and push until it clicks into place.

Fitting the guard (fig. C)

- ◆ Remove the screw (15) from the head.
- ◆ Place the guard onto the tool as shown.
- ◆ Firmly press the guard (9) until it snaps into place.
- ◆ Secure the guard with the screw.

Warning! Never use the tool unless the guard is properly fitted.

Releasing the cutting line

In transit, the cutting line is taped to the spool housing.

- ◆ Remove the tape holding the cutting line (11) to the spool housing (12).

Connecting the tool to the mains (fig. D)

- ◆ Connect the female plug of a suitable extension cable to the power inlet (4).
- ◆ Loop the cable through the cable restraint (3).
- ◆ Insert the mains plug into a mains outlet.

For wired in cable units: Make sure the cable is looped through the cable restraint prior to connecting the plug to the mains outlet.

Warning! The extension cable must be suitable for outdoor use.

Use

Warning! Let the tool work at its own pace. Do not overload.

Setting the tool to trimming or edging mode (fig. E - G)

The tool can be used in trimming mode as shown in fig. F or in edging mode to trim overhanging grass along lawn edges and flower beds as shown in fig. G.

Trimming mode (fig. E & F)

For trimming, the trimmer head should be in the position shown in fig. F. If it is not:

- ◆ Depress the adjustment button (8).
- ◆ Rotate the head (14), while releasing the button.
- ◆ When the head is in position, the button will lock into place.

Note: The tube will only rotate in one direction.

Edging mode (fig. E & G)

For edging, the trimmer head should be in the position shown in fig. G. If it is not:

- ◆ Depress the adjustment button (8).
- ◆ Rotate the head (14), while releasing the button.
- ◆ When the head is in position, the button will lock into place.

Note: The tube will only rotate in one direction.

Switching on and off

- ◆ To switch the tool on, squeeze the trigger lever (1).
- ◆ To switch the tool off, release the trigger lever.

Warning! Never attempt to lock the trigger lever in the on position.

Hints for optimum use**General**

- ◆ In order to achieve optimum cutting results, only cut dry grass.

Trimming

- ◆ Hold the tool as shown in fig. F.
- ◆ Gently swing the trimmer from side to side.
- ◆ When cutting long grass, work in stages from the top. Take small cuts.
- ◆ Keep the tool away from hard objects and delicate plants.
- ◆ If the tool starts running slowly, reduce the load.

Edging

Optimum cutting results are achieved on edges deeper than 50 mm.

- ◆ Do not use the tool to create edges. To create edges, use an edging spade.
- ◆ Guide the tool as shown in fig. G.
- ◆ To make a closer cut, slightly tilt the tool.

Maintenance

Your tool has been designed to operate over a long period of time with a minimum of maintenance. Continuous satisfactory operation depends upon proper tool care and regular cleaning.

Warning! Before performing any maintenance, switch off and unplug the tool.

- ◆ Regularly clean the ventilation slots in your tool using a soft brush or dry cloth.
- ◆ Regularly clean the cutting line and spool using a soft brush or dry cloth.
- ◆ Regularly use a blunt scraper to remove grass and dirt from the underneath of the guard.

Fitting a new spool of cutting line (fig. H - J)

Spool with single cutting line (fig. H)

Replacement spools of cutting line are available from your Black & Decker dealer (cat. no. A6481).

- ◆ Keep the tabs (16) depressed and remove the spool cover (17) from the housing (12).
- ◆ Remove the empty spool (18) from the spool housing.
- ◆ Remove any dirt and grass from the spool cover and housing.
- ◆ Take the new spool and unwind approximately 9 cm of cutting line.
- ◆ Feed the cutting line through the eyelet (19).
- ◆ Push the spool onto the drive shaft (20) and rotate it slightly until it is seated. Make sure that the cutting line is not trapped under the spool and that 9 cm of cutting line protrudes from the housing.
- ◆ Align the tabs on the spool cover with the holes in the housing.
- ◆ Push the cover onto the housing until it snaps securely into place.

Warning! If the cutting line protrudes beyond the trimming blade (10), cut it off so that they just reach the blade.

Spool with twin cutting line (fig. I & J)

Replacement spools of cutting line are available from your Black & Decker dealer (cat. no. A6441). Complete cassettes containing a spool of cutting line are also available (cat. no. A6488).

- ◆ Keep the tabs (21) depressed and remove the spool cover (22) from the housing (12).
- ◆ Remove the empty spool (23) from the spool cover.
- ◆ Remove any dirt and grass from the spool cover and housing.
- ◆ Take the new spool and push it onto the boss in the spool cover. Rotate the spool slightly until it is seated.
- ◆ Unclip the end of one of the cutting lines and feed the line into one of the eyelets (24). The line should protrude approximately 9 cm from the spool cover.
- ◆ Unclip the end of the other cutting line and feed the line into the other eyelet. The line should protrude approximately 9 cm from the spool cover.
- ◆ Align the tabs (21) on the spool cover with the cut-outs (25) in the housing.
- ◆ Push the cover onto the housing until it snaps securely into place.

Warning! If the cutting lines protrude beyond the trimming blade (10), cut them off so that they just reach the blade.

Winding a new cutting line onto an empty spool (fig. K - O)

You may wind new cutting line onto an empty spool.

Spool with single cutting line (fig. K & L)

Replacement packs of cutting line are available from your Black & Decker dealer (cat. no. A6170 (25 m) & A6171 (40 m)).

- ◆ Remove the empty spool from the tool as described above.
- ◆ Remove any remaining cutting line from the spool.
- ◆ Feed 2 cm of cutting line into one of the holes (26) in the spool as shown.
- ◆ Bend the cutting line and anchor it in the L-shaped slot (27).
- ◆ Wind the cutting line onto the spool in the direction of the arrow (28). Make sure to wind the line on neatly and in layers. Do not criss-cross.
- ◆ When the wound cutting line reaches the recesses (29), cut the line. Let the line protrude approximately 9 cm from the spool and hold a finger on the line to keep it in place.
- ◆ Proceed as described above to fit the spool on the tool.

Warning! Only use the appropriate type of Black & Decker cutting line.

Spool with twin cutting line (fig. M - O)

Replacement packs of cutting line are available from your Black & Decker dealer (cat. no. A6440).

- ◆ Remove the empty spool from the tool as described above.
- ◆ Remove any remaining cutting line from the spool.
- ◆ First wind new line onto the uppermost part of the spool:
 - Feed 2 cm of cutting line into one of the slots (30) in the upper section of the spool as shown.
 - Wind the cutting line onto the spool in the direction of the arrow (31). Make sure to wind the line on neatly and in layers. Do not criss-cross.
 - When the wound cutting line reaches the recesses (32), cut the line.
 - Temporarily park the line in the slots (33) on one side of the spool as shown.
- ◆ Repeat the above procedure for the second cutting line on the lower section of the spool. Park the line in the unused slots (33).
- ◆ Proceed as described above to fit the spool on the tool. Do not forget to release the cutting line from the parking slots (33).

Warning! Only use the appropriate type of Black & Decker cutting line. Ensure that cutting line is present in both sections of the spool.

Troubleshooting

If your tool seems not to operate properly, follow the instructions below. If this does not solve the problem, please contact your local Black & Decker repair agent.

Warning! Before proceeding, unplug the tool.

Tool runs slowly

- ◆ Check that the spool housing can rotate freely. Carefully clean it if necessary.
- ◆ Check that the cutting line does not protrude more than 9 cm from the spool housing. If it does, cut it off so that it just reaches the line trimming blade.

Automatic line feed does not work

- ◆ Keep the tabs depressed and remove the spool cover from the housing.
- ◆ Pull the cutting line until it protrudes 9 cm from the housing. If insufficient cutting line is left on the spool, install a new spool of cutting line as instructed above.
- ◆ Align the tabs on the spool cover with the cut outs in the housing.
- ◆ Push the cover onto the housing until it snaps securely into place.
- ◆ If the cutting line protrudes beyond the trimming blade, cut it off so that it just reaches the blade.

If the automatic line feed still does not work or the spool is jammed, try the following suggestions:

- ◆ Carefully clean the spool cover and housing.
- ◆ Remove the spool and check if the lever can move freely.
- ◆ Remove the spool and unwind the cutting line, then wind it on neatly again as described above. Replace the spool as instructed.

Mains plug replacement (U.K. & Ireland only)

If a new mains plug needs to be fitted:

- ◆ Safely dispose of the old plug.
- ◆ Connect the brown lead to the live terminal in the new plug.
- ◆ Connect the blue lead to the neutral terminal.

Warning! No connection is to be made to the earth terminal. Follow the fitting instructions supplied with good quality plugs. Recommended fuse: 5 A.

Protecting the environment



Separate collection. This product must not be disposed of with normal household waste.

Should you find one day that your Black & Decker product needs replacement, or if it is of no further use to you, do not dispose of it with household waste. Make this product available for separate collection.



Separate collection of used products and packaging allows materials to be recycled and used again. Re-use of recycled materials helps prevent environmental pollution and reduces the demand for raw materials.

Local regulations may provide for separate collection of electrical products from the household, at municipal waste sites or by the retailer when you purchase a new product.

Black & Decker provides a facility for the collection and recycling of Black & Decker products once they have reached the end of their working life. To take advantage of this service please return your product to any authorised repair agent who will collect them on our behalf.

You can check the location of your nearest authorised repair agent by contacting your local Black & Decker office at the address indicated in this manual. Alternatively, a list of authorised Black & Decker repair agents and full details of our after-sales service and contacts are available on the Internet at: www.2helpU.com

Technical data

		GL301	GL315	GL350
Voltage	V_{AC}	230	230	230
Power input	W	300	320	350
No-load speed	min^{-1}	10,000	10,000	10,000
Weight	kg	2.2	2.2	2.2

EC declaration of conformity

GL301/GL315/GL350

Black & Decker declares that these products conform to:
98/37/EC, 89/336/EEC, 73/23/EEC, EN 60335, EN 55014,
EN 61000

2000/14/EC, Lawn trimmer, L <50, Annex VIII, No. 499
SNCH, L-5230 Sandweiler, Luxembourg

Level of sound pressure, measured according to EN ISO 3744:

L_{pA} (sound pressure) 81 dB(A), L_{WA} (acoustic power) 95 dB(A),
 L_{WA} (guaranteed) 96 dB(A)

Hand/arm weighted vibration value according to EN 786: 3.86 m/s²



Kevin Hewitt
Director of Consumer Engineering
Spennymoor, County Durham DL16 6JG,
United Kingdom
1-8-2005

European Community design application no. 388756

Guarantee

Black & Decker is confident of the quality of its products and offers an outstanding guarantee. This guarantee statement is in addition to and in no way prejudices your statutory rights. The guarantee is valid within the territories of the Member States of the European Union and the European Free Trade Area.

If a Black & Decker product becomes defective due to faulty materials, workmanship or lack of conformity, within 24 months from the date of purchase, Black & Decker guarantees to replace defective parts, repair products subjected to fair wear and tear or replace such products to ensure minimum inconvenience to the customer unless:

- ◆ The product has been used for trade, professional or hire purposes;
- ◆ The product has been subjected to misuse or neglect;
- ◆ The product has sustained damage through foreign objects, substances or accidents;
- ◆ Repairs have been attempted by persons other than authorised repair agents or Black & Decker service staff.

To claim on the guarantee, you will need to submit proof of purchase to the seller or an authorised repair agent. You can check the location of your nearest authorised repair agent by contacting your local Black & Decker office at the address indicated in this manual. Alternatively, a list of authorised Black & Decker repair agents and full details of our after-sales service and contacts are available on the Internet at:

www.2helpU.com

Please visit our website **www.blackanddecker.co.uk** to register your new Black & Decker product and to be kept up to date on new products and special offers. Further information on the Black & Decker brand and our range of products is available at **www.blackanddecker.co.uk**

Bestimmungsgemäße Verwendung

Ihr Black & Decker Strimmer wurde zum Trimmen und Beschneiden von Rasenkanten sowie zum Schneiden von Gras an schwer zugänglichen Stellen entwickelt.

Dieses Gerät ist nicht für den gewerblichen Einsatz vorgesehen.

Sicherheitshinweise

- ◆ **Warnung!** Bei der Verwendung elektrischer Geräte sind zum Schutz gegen Feuergefahr, gegen elektrischen Schlag sowie gegen Körper- und Sachschaden grundlegende Sicherheitsmaßnahmen, einschließlich der folgenden Vorschriften, zu beachten.
- ◆ Lesen Sie diese Anleitung gründlich durch, bevor Sie das Gerät verwenden.
- ◆ Bewahren Sie diese Anleitung auf.
- ◆ Ziehen Sie immer den Netzstecker, bevor Sie Einstellungs- oder Wartungsarbeiten durchführen.

Halten Sie Ihren Arbeitsbereich in Ordnung!

Unordnung im Arbeitsbereich führt zu Unfallgefahren.

Berücksichtigen Sie Umgebungseinflüsse!

Setzen Sie das Gerät keinem Regen aus. Verwenden Sie das Gerät nicht in einer feuchten oder nassen Umgebung. Sorgen Sie für eine gute Beleuchtung des Arbeitsbereiches. Benutzen Sie das Gerät nicht an Orten, wo Feuergefahr oder Explosionsgefahr besteht, z.B. in der Nähe von brennbaren Flüssigkeiten oder Gasen.

Halten Sie Kinder fern!

Halten Sie Kinder, Besucher und Tiere dem Arbeitsbereich fern und sorgen Sie dafür, daß sie das Gerät und das Netzkabel nicht berühren.

Tragen Sie geeignete Arbeitskleidung!

Tragen Sie keine weite Kleidung oder Schmuck, da diese von sich bewegenden Teilen erfaßt werden können. Beim Arbeiten im Freien sind Arbeitshandschuhe und rutschfestes Schuhwerk empfehlenswert. Tragen Sie bei langen Haaren ein Haarnetz.

Schutzmaßnahmen:

Verwenden Sie immer eine Schutzbrille. Tragen Sie eine Atemschutzmaske, falls die Arbeiten Staub oder Späne erzeugen können. Tragen Sie einen Gehörschutz.

Schutz vor elektrischem Schlag:

Vermeiden Sie eine Körperberührung mit geerdeten Objekten (z.B. Rohren, Heizkörpern, Herden und Kühlschränken). Die elektrische Sicherheit läßt sich durch Verwendung eines Fehlerstrom-Schutzschalters (30 mA / 30 mS) weiter erhöhen.

Achten Sie auf einen sicheren Stand!

Achten Sie auf einen sicheren Stand, um in jeder Arbeitsposition das Gleichgewicht zu halten.

Seien Sie stets aufmerksam!

Konzentrieren Sie sich auf Ihre Arbeit. Gehen Sie vernünftig vor. Verwenden Sie das Gerät nicht, wenn Sie müde sind.

Sichern Sie das Werkstück!

Benutzen Sie Spannvorrichtungen oder einen Schraubstock, um das Werkstück festzuhalten. Es ist damit sicherer gehalten und ermöglicht die Bedienung des Gerätes mit beiden Händen.

Schließen Sie Vorrichtungen zur Staubabsaugung an!

Falls Vorrichtungen zur Absaugung oder zum Sammeln von Staub an das Gerät angeschlossen werden können, vergewissern Sie sich, daß diese angeschlossen sind und ordnungsgemäß verwendet werden.

Lassen Sie keine Schlüssel stecken!

Überprüfen Sie vor dem Einschalten, ob die Schlüssel und Einstellwerkzeuge entfernt sind.

Verlängerungskabel

Prüfen Sie vor dem Gebrauch das Verlängerungskabel und tauschen Sie es aus, falls es beschädigt ist. Wenn Sie das Gerät im Freien verwenden, verwenden Sie nur Verlängerungskabel, die sich für den Einsatz im Freien eignen. Ein bis zu 30 m langes Black & Decker Verlängerungskabel kann verwendet werden, ohne daß Leistungsverluste entstehen.

Benutzen Sie das richtige Gerät!

Die bestimmungsgemäße Verwendung ist in dieser Betriebsanleitung beschrieben. Verwenden Sie keine zu schwachen Geräte oder Zubehörteile für schwere Arbeiten. Mit dem richtigen Gerät erzielen Sie eine optimale Qualität und gewährleisten Ihre persönliche Sicherheit. Überlasten Sie das Gerät nicht. Verwenden Sie das Gerät nicht für andere Zwecke als vorgesehen; verwenden Sie z.B. eine Handkreissäge nicht zum Sägen von Baumstämmen und Ästen.

Warnung! Das Verwenden anderer als der in dieser Anleitung empfohlenen Vorsatzgeräte und Zubehörteile oder die Ausführung von Arbeiten mit diesem Gerät, die nicht der bestimmungsgemäßen Verwendung entsprechen, kann zu Unfallgefahren führen.

Kontrollieren Sie Ihr Gerät auf Beschädigungen!

Überprüfen Sie das Gerät und das Netzkabel vor der Arbeit auf Beschädigungen. Überprüfen Sie, ob alle beweglichen Teile richtig montiert sind, ob keine Teile gebrochen sind, ob keine Schutzvorrichtungen und Schalter beschädigt sind, und ob irgendwelche anderen Schäden den einwandfreien Betrieb des Gerätes beeinträchtigen könnten. Vergewissern Sie sich, daß das Gerät ordnungsgemäß funktionieren wird. Benutzen Sie das Gerät nicht, wenn ein Teil defekt ist. Verwenden Sie das Gerät nicht, wenn der Ein-/Aus-Schalter nicht funktioniert. Lassen Sie defekte Teile immer von einer unserer Kundendienstwerkstätten reparieren oder austauschen. Versuchen Sie nie, das Gerät selber zu reparieren.

Ziehen Sie den Netzstecker!

Ziehen Sie den Netzstecker, wenn Sie das Gerät nicht benutzen, bevor Sie irgendwelche Werkzeuge, Zubehörteile oder Geräteteile auswechseln und bevor Sie irgendwelche Wartungsarbeiten vornehmen.

Vermeiden Sie ein unbeabsichtigtes Einschalten!

Tragen Sie das Gerät nicht mit dem Finger am Ein-/Aus-Schalter. Vergewissern Sie sich, daß das Gerät ausgeschaltet ist, wenn Sie es an die Stromversorgung anschließen.

Behandeln Sie das Kabel sorgfältig!

Tragen Sie das Gerät nicht am Kabel und benutzen Sie das Kabel nicht, um den Stecker aus der Steckdose zu ziehen. Schützen Sie das Kabel vor Hitze, Öl und scharfen Kanten.

Bewahren Sie Ihre Geräte sicher auf!

Unbenutzte Geräte sind an einem trockenen, für Kinder nicht erreichbaren Ort aufzubewahren.

Pflegen Sie Ihre Geräte mit Sorgfalt!

Halten Sie Schneidwerkzeuge scharf und sauber, um gut und sicher arbeiten zu können. Befolgen Sie die Wartungsvorschriften und die Hinweise für den Werkzeugwechsel. Halten Sie Handgriffe und Schalter trocken, sauber und frei von Öl und Fett.

Reparaturen:

Dieses Gerät entspricht den einschlägigen Sicherheitsvorschriften. Reparaturen sind nur von autorisierten Fachkräften und mit Original-Ersatzteilen vorzunehmen; andernfalls kann Unfallgefahr für den Betreiber entstehen.

Elektrische Sicherheit:



Dieses Gerät ist schutzisoliert, daher ist keine Erdleitung erforderlich. Überprüfen Sie stets, ob die Netzspannung der auf dem Typenschild angegebenen Spannung entspricht.

Zusätzliche Sicherheitsanweisungen für Rasentrimmer

Das Gerät ist mit folgenden Warnsymbolen versehen:



Lesen Sie vor der Inbetriebnahme die Anleitung.



Tragen Sie bei der Verwendung dieses Geräts eine Schutzbrille!



Halten Sie Umstehende und Tiere mindestens 6 m vom Arbeitsbereich fern.



Setzen Sie das Gerät keinem Regen oder hoher Feuchtigkeit aus.

- ◆ Machen Sie sich mit den Bedienelementen und dem richtigen Gebrauch des Geräts vertraut.
- ◆ Verwenden Sie das Gerät nur bei Tageslicht oder guter künstlicher Beleuchtung.
- ◆ Überprüfen Sie vor dem Gebrauch das Netz- und Verlängerungskabel auf Beschädigung, Alterung und Verschleiß. Falls ein Kabel beim Gebrauch beschädigt wird, trennen Sie das Kabel sofort vom Netz. **BERÜHREN SIE DAS KABEL NICHT, SOLANGE ES NOCH NICHT VOM NETZ GETRENNT IST.**
- ◆ Verwenden Sie das Gerät nicht, wenn die Kabel beschädigt oder verschlissen sind.
- ◆ Tragen Sie zum Schutz Ihrer Füße feste Schuhe oder Stiefel.
- ◆ Tragen Sie zum Schutz Ihrer Beine eine lange Hose.
- ◆ Bevor Sie das Gerät verwenden, vergewissern Sie sich, daß der Arbeitsbereich frei von Stöcken, Steinen, Draht und anderen Hindernissen ist.
- ◆ Verwenden Sie das Gerät nur in aufrechter Position, mit dem Schneidfaden nahe am Boden. Schalten Sie das Gerät niemals ein, wenn es sich in einer anderen Position befindet.
- ◆ Bewegen Sie sich während der Arbeit mit dem Gerät nur langsam. Beachten Sie, daß frisch geschnittener Rasen feucht und rutschig ist.
- ◆ Arbeiten Sie nicht auf steilen Hängen. Schneiden Sie entlang der Böschung, nie von oben nach unten.
- ◆ Überqueren Sie keine Kieselwege oder -wege, während das Gerät läuft.
- ◆ Berühren Sie nie den Schneidfaden, während das Gerät läuft.
- ◆ Legen Sie das Gerät erst ab, wenn der Schneidfaden vollkommen zum Stillstand gekommen ist.
- ◆ Verwenden Sie ausschließlich Schneidfäden des richtigen Typs. Verwenden Sie nie Schneidfäden aus Metall oder Angelschnur.
- ◆ Achten Sie darauf, daß Sie das Faden-Kappmesser nicht berühren.

- ◆ Halten Sie das Netzkabel vom Schneidfaden fern. Achten Sie immer auf die Lage des Kabels.
- ◆ Halten Sie stets die Hände und Füße vom Schneidfaden fern, besonders beim Einschalten des Motors.
- ◆ **Achtung!** Wird das Gerät ausgeschaltet, so laufen die Schneidelemente nach.
- ◆ Betreiben Sie das Gerät niemals mit beschädigten oder nicht angebrachten Schutzvorrichtungen.
- ◆ Vergewissern Sie sich stets, daß die Ventilationsschlitze frei von Unrat sind.

Merkmale

Dieses Gerät weist einige oder alle der folgenden Merkmale auf.

1. Ein-/Aus-Schalter
2. Handgriff
3. Kabelzugentlastung
4. Netzanschluß
5. Zweithandgriff
6. Rohr
7. Kabelaufwicklung
8. Einstellknopf
9. Schutzvorrichtung
10. Faden-Kappmesser
11. Schneidfaden
12. Spulengehäuse
13. Kantenföhrung
14. Kopf

Montage

Achtung! Vergewissern Sie sich vor der Montage, daß das Gerät ausgeschaltet ist und daß der Netzstecker gezogen wurde.

Anbringen des Rohrs am Kopf (Abb. A)

- ◆ Richten Sie die rechteckige Zunge des Rohrs (6) mit deren Position im Kopf (14) aus.
- ◆ Stecken Sie das Rohr in den Kopf und schieben Sie es weiter, bis es in seiner Lage einrastet.

Anbringen des Handgriffs am Rohr (Abb. B)

- ◆ Richten Sie die quadratische Zunge des Rohrs (6) mit deren Position im Handgriff (2) aus.
- ◆ Stecken Sie das Rohr in den Handgriff und schieben Sie es weiter, bis es in seiner Lage einrastet.

Anbringen der Schutzvorrichtung (Abb. C)

- ◆ Entfernen Sie die Schraube (15) vom Kopf.
- ◆ Bringen Sie die Schutzvorrichtung wie angegeben am Gerät an.
- ◆ Drücken Sie fest auf die Schutzvorrichtung (9), bis sie einrastet.
- ◆ Sichern Sie die Schutzvorrichtung mit der Schraube.

Achtung! Verwenden Sie das Gerät nur, wenn die Schutzvorrichtung ordnungsgemäß montiert ist.

Lösen des Schneidfadens

Ab Werk ist der Schneidfaden mit Klebeband am Spulengehäuse befestigt.

- ◆ Entfernen Sie das Klebeband, mit dem der Schneidfaden (11) am Spulengehäuse (12) befestigt ist.

Anschließen des Geräts an das Netz (Abb. D)

- ◆ Schließen Sie die Steckdose eines geeigneten Verlängerungskabels an den Netzanschluß (4) an.
- ◆ Führen Sie das Kabel durch die Zugentlastung (3).
- ◆ Stecken Sie den Netzstecker in eine Steckdose.

Für verkabelte Modelle: Vergewissern Sie sich, daß das Kabel durch die Zugentlastung geführt wurde, bevor Sie den Stecker in die Steckdose stecken.

Achtung! Das Verlängerungskabel muss für den Einsatz im Freien geeignet sein.

Gebrauch

Achtung! Beschleunigen Sie den Arbeitsvorgang nicht mit Gewalt. Vermeiden Sie eine Überlastung des Gerätes.

Einstellen des Geräts auf die Trimm- oder Kantenschnitt-Betriebsart (Abb. E - G)

Dieses Gerät kann sowohl zum Trimmen wie in Abb. F als auch zum Kantenschneiden (Beschneiden überhängenden Grases entlang Rasenkanten und Blumenbeeten) wie in Abb. G verwendet werden.

Trimm-Betriebsart (Abb. E & F)

Beim Trimmen muß sich der Trimmerkopf in der in Abb. F angegebenen Position befinden. Ist dies nicht der Fall:

- ◆ Drücken Sie auf den Einstellknopf (8).
- ◆ Drehen Sie den Kopf (14), während Sie den Knopf loslassen.
- ◆ Befindet sich der Kopf in seiner Position, so rastet der Knopf ein.

Hinweis: Das Rohr läßt sich nur in eine Richtung drehen.

Kantenschnitt-Betriebsart (Abb. E & G)

Beim Kantenschneiden muß sich der Trimmerkopf in der in Abb. G angegebenen Position befinden. Ist dies nicht der Fall:

- ◆ Drücken Sie auf den Einstellknopf (8).
- ◆ Drehen Sie den Kopf (14), während Sie den Knopf loslassen.
- ◆ Befindet sich der Kopf in seiner Position, so rastet der Knopf ein.

Hinweis: Das Rohr läßt sich nur in eine Richtung drehen.

Ein- und Ausschalten

- ◆ Um das Gerät einzuschalten, drücken Sie auf den Einschalthebel (1).
- ◆ Um das Gerät auszuschalten, lassen Sie Einschalthebel los.

Achtung! Versuchen Sie niemals, den Einschalthebel im eingeschalteten Zustand zu verriegeln.

Hinweise für optimale Arbeitsergebnisse

Allgemeines

- ◆ Um optimale Schnittergebnisse zu erzielen, schneiden Sie nur trockenes Gras.

Trimmen

- ◆ Halten Sie das Gerät wie in Abb. F dargestellt.
- ◆ Schwenken Sie den Trimmer gleichmäßig von einer Seite zur anderen.
- ◆ Bei langem Gras arbeiten Sie stufenweise in kleinen Schritten von oben nach unten. Führen Sie kleine Schnitte aus.
- ◆ Halten Sie das Gerät von harten Gegenständen und empfindlichen Pflanzen fern.
- ◆ Falls das Gerät beginnt, langsam zu laufen, verringern Sie die Belastung.

Kantenschneiden

Optimale Schnittergebnisse erhalten Sie bei Kanten mit einer Tiefe von mindestens 50 mm.

- ◆ Verwenden Sie das Gerät nicht zum Bilden neuer Kanten. Verwenden Sie zum Bilden von Kanten einen Kantenspaten.
- ◆ Führen Sie das Gerät wie in Abb. G dargestellt.
- ◆ Um einen kürzeren Schnitt zu erzielen, neigen Sie das Gerät ein wenig.

Wartung

Ihr Gerät wurde für eine lange Lebensdauer und einen möglichst geringen Wartungsaufwand entwickelt. Ein dauerhafter, einwandfreier Betrieb setzt eine regelmäßige Pflege und Reinigung voraus.

Achtung! Bevor Sie irgendwelche Wartungsarbeiten vornehmen, schalten Sie das Gerät aus, und ziehen Sie den Netzstecker.

- ◆ Reinigen Sie regelmäßig die Lüftungsschlitze im Gerät mit Hilfe einer weichen Bürste oder eines trockenen Tuches.
- ◆ Reinigen Sie regelmäßig den Schneidfaden und die Fadenspule mit einer weichen Bürste oder einem trockenen Tuch.

- ◆ Verwenden Sie regelmäßig einen stumpfen Schaber, um Gras und Schmutzreste von der Unterseite der Schutzvorrichtung zu entfernen.

Anbringen einer neuen Fadenspule (Abb. H - J) Spule mit Einzelschneidfaden (Abb. H)

Neue Spulen mit Schneidfaden sind bei Ihrem Black & Decker Händler erhältlich (Bestellnummer A6481).

- ◆ Halten Sie die Zungen (16) gedrückt und entfernen Sie den Spulendeckel (17) vom Gehäuse (12).
- ◆ Entfernen Sie die leere Spule (18) aus dem Spulengehäuse.
- ◆ Entfernen Sie Schmutzreste und Gras vom Spulendeckel und aus dem Gehäuse.
- ◆ Nehmen Sie die neue Spule und wickeln Sie zirka 9 cm Schneidfaden von der Spule ab.
- ◆ Führen Sie den Schneidfaden durch die Öse (19).
- ◆ Drücken Sie die Spule auf die Antriebswelle (20) und drehen Sie die Spule ein wenig hin und her, bis sie richtig sitzt. Vergewissern Sie sich, daß der Schneidfaden sich nicht unter der Spule verfängt, und daß 9 cm Schneidfaden aus dem Spulengehäuse hervorsteht.
- ◆ Richten Sie die Zungen am Spulendeckel mit den entsprechenden Löchern im Gehäuse aus.
- ◆ Drücken Sie den Deckel auf das Gehäuse, bis er sicher einrastet.

Achtung! Falls der Schneidfaden aus dem Faden-Kappmesser (10) herausragt, schneiden Sie den Faden ab, so daß er gerade bis zum Faden-Kappmesser reicht.

Spule mit Doppelschneidfaden (Abb. I & J)

Neue Spulen mit Schneidfaden sind bei Ihrem Black & Decker Händler erhältlich (Bestellnummer A6441). Es sind auch komplette Kassetten mit einer Spule mit Schneidfaden erhältlich (Bestellnummer A6488).

- ◆ Halten Sie die Zungen (21) gedrückt und entfernen Sie den Spulendeckel (22) vom Gehäuse (12).
- ◆ Entfernen Sie die leere Spule (23) vom Spulendeckel.
- ◆ Entfernen Sie Schmutzreste und Gras vom Spulendeckel und aus dem Gehäuse.
- ◆ Nehmen Sie die neue Spule, und drücken Sie sie auf den Zapfen im Spulendeckel. Drehen Sie die Spule ein wenig, bis sie richtig sitzt.
- ◆ Lösen Sie das Ende des einen Schneidfadens und führen Sie den Faden in eine der Ösen (24). Der Schneidfaden sollte ca. 9 cm aus dem Spulendeckel hervorstehen.
- ◆ Lösen Sie das Ende des anderen Schneidfadens, und führen Sie den Faden in die andere Öse. Der Schneidfaden sollte ca. 9 cm aus dem Spulendeckel hervorstehen.

- ◆ Richten Sie die Zungen (21) am Spulendeckel mit den Aussparungen (25) im Gehäuse aus.
- ◆ Drücken Sie den Deckel auf das Gehäuse, bis er sicher einrastet.

Achtung! Falls die Schneidfäden aus dem Faden-Kappmesser (10) herausragen, schneiden Sie die Fäden ab, so daß sie gerade bis zum Faden-Kappmesser reichen.

Aufwickeln eines neuen Schneidfadens auf eine leere Spule (Abb. K - O)

Sie können einen neuen Schneidfaden auf eine leere Spule aufwickeln.

Spule mit Einzelschneidfaden (Abb. K & L)

Neuer, loser Schneidfaden ist bei Ihrem Black & Decker Händler erhältlich (Bestellnummer A6170 (25 m) & A6171 (40 m)).

- ◆ Entfernen Sie die leere Spule gemäß Beschreibung oben.
- ◆ Entfernen Sie etwaige Fadenreste von der Spule.
- ◆ Führen Sie 2 cm Schneidfaden wie abgebildet in eines der Löcher (26) in der Spule.
- ◆ Knicken Sie den Schneidfaden um und befestigen ihn im L-förmigen Schlitz (27).
- ◆ Wickeln Sie den Schneidfaden in Pfeilrichtung (28) auf die Spule auf. Achten Sie darauf, daß Sie den Faden sauber und in Schichten aufwickeln. Vermeiden Sie ein kreuzweises Aufwickeln.
- ◆ Wenn der aufgewickelte Faden die Aussparungen (29) erreicht, schneiden Sie ihn ab. Wickeln Sie zirka 9 cm Faden von der Spule ab und halten Sie einen Finger auf den Faden, um ihn in seiner Lage zu halten.
- ◆ Um die Spule am Gerät anzubringen, gehen Sie wie oben beschrieben vor.

Achtung! Verwenden Sie ausschließlich Black & Decker Schneidfaden des richtigen Typs.

Spule mit Doppelschneidfaden (Abb. M - O)

Neuer, loser Schneidfaden ist bei Ihrem Black & Decker Händler erhältlich (Bestellnummer A6440).

- ◆ Entfernen Sie die leere Spule gemäß Beschreibung oben.
- ◆ Entfernen Sie etwaige Fadenreste von der Spule.
- ◆ Wickeln Sie zuerst neuen Faden auf den oberen Teil der Spule auf:
 - Führen Sie 2 cm Schneidfaden wie abgebildet in einen der Schlitze (30) oben in der Spule.
 - Wickeln Sie den Schneidfaden in Pfeilrichtung (31) auf die Spule auf. Achten Sie darauf, daß Sie den Faden sauber und in Schichten aufwickeln. Vermeiden Sie ein kreuzweises Aufwickeln.
 - Wenn der aufgewickelte Faden die Aussparungen (32) erreicht, schneiden Sie ihn ab.

– Klemmen Sie den Schneidfaden wie angegeben vorübergehend in die Schlitze (33) an einer Seite der Spule.

- ◆ Wiederholen Sie den oben beschriebenen Vorgang für den zweiten Schneidfaden auf dem unteren Teil der Spule. Klemmen Sie den Faden in die noch freien Schlitze (33).
- ◆ Um die Spule am Gerät anzubringen, gehen Sie wie oben beschrieben vor. Vergessen Sie nicht, den Faden aus den Schlitzen (33) zu lösen.

Achtung! Verwenden Sie ausschließlich Black & Decker Schneidfaden des richtigen Typs. Achten sie darauf, daß auf beiden Teilen der Spule Schneidfaden vorhanden ist.

Störungsbehebung

Falls Ihr Gerät nicht ordnungsgemäß funktioniert, befolgen Sie folgende Hinweise. Falls die Störung damit nicht behoben wird, wenden Sie sich bitte an den Black & Decker Kundendienst.

Achtung! Bevor Sie die folgenden Schritte vornehmen, ziehen Sie den Netzstecker.

Das Gerät läuft nur langsam.

- ◆ Überprüfen Sie, ob sich das Spulengehäuse frei drehen kann. Reinigen Sie es gegebenenfalls sorgfältig.
- ◆ Vergewissern Sie sich, daß die Länge des aus dem Spulengehäuse hervorstehenden Schneidfadens 9 cm nicht überschreitet. Falls doch, dann schneiden Sie den Faden ab, so daß er gerade das Faden-Kappmesser erreicht.

Die automatische Fadenzufuhr funktioniert nicht.

- ◆ Halten Sie die Zungen gedrückt und nehmen Sie den Spulendeckel vom Gehäuse.
- ◆ Ziehen Sie am Schneidfaden, bis er 9 cm aus dem Spulengehäuse hervorsteht. Falls der Schneidfaden auf der Spule nicht mehr ausreicht, setzen Sie wie oben beschrieben eine neue Fadenspule ein.
- ◆ Richten Sie die Zungen am Spulendeckel mit den Aussparungen im Gehäuse aus.
- ◆ Drücken Sie den Deckel auf das Gehäuse, bis er sicher einrastet.
- ◆ Falls der Schneidfaden über das Faden-Kappmesser hinaus hervorsteht, schneiden Sie den Faden ab, so daß er gerade bis zum Faden-Kappmesser reicht.

Falls die automatische Fadenzufuhr noch immer nicht funktioniert oder die Spule klemmt, versuchen Sie folgendes:

- ◆ Reinigen Sie sorgfältig den Spulendeckel und das Spulengehäuse.

- ◆ Entfernen Sie die Spule und überprüfen Sie, ob sich der Hebel frei bewegen kann.
- ◆ Entfernen Sie die Spule, und wickeln Sie den Faden ab. Wickeln Sie den Faden dann wie oben beschrieben wieder sauber auf. Bringen Sie die Spule wieder wie beschrieben an.

Umweltschutz



Getrennte Entsorgung. Dieses Produkt darf nicht über den normalen Hausmüll entsorgt werden.

Sollte Ihr Black & Decker Produkt eines Tages erneuert werden müssen, oder falls Sie es nicht weiter verwenden wollen, so darf es nicht über den Hausmüll entsorgt werden. Stellen Sie dieses Produkt zur getrennten Entsorgung bereit.



Durch die getrennte Entsorgung gebrauchter Produkte und Verpackungen können die Materialien recycelt und wiederverwertet werden. Die Wiederverwertung recycelter Materialien schont die Umwelt und verringert die Nachfrage nach Rohstoffen.

Die regionalen Bestimmungen schreiben unter Umständen die getrennte Entsorgung elektrischer Produkte aus dem Haushalt an Sammelstellen oder seitens des Händlers vor, bei dem Sie das neue Produkt erworben haben.

Black & Decker nimmt Ihre ausgedienten Black & Decker Geräte gern zurück und sorgt für eine umweltfreundliche Entsorgung und Wiederverwertung. Um diesen Dienst zu nutzen, schicken Sie bitte Ihr Produkt zu einer Vertragswerkstatt. Hier wird es dann auf unsere Kosten gesammelt.

Die Adresse der zuständigen Black & Decker Vertretung steht in diesem Handbuch, darüber läßt sich die nächstgelegene Vertragswerkstatt ermitteln. Außerdem ist eine Liste der Vertragswerkstätten und aller Kundendienststellen von Black & Decker sowie der zuständigen Ansprechpartner im Internet zu finden unter: www.2helpU.com

Technische Daten

		GL301	GL315	GL350
Spannung	V_{AC}	230	230	230
Leistungsaufnahme	W	300	320	350
Leerlaufdrehzahl	min^{-1}	10.000	10.000	10.000
Gewicht	kg	2,2	2,2	2,2

EG-Konformitätserklärung

GL301/GL315/GL350

Black & Decker erklärt, daß diese Produkte folgende Konformität erfüllen:
98/37/EWG, 89/336/EWG, 73/23/EWG, EN 60335, EN 55014, EN 61000

2000/14/EWG, Rasentrimmer, L <50, Anhang VIII, Nr. 499
SNCH, L-5230 Sandweiler, Luxembourg

Höhe des Schalldrucks, gemessen nach EN ISO 3744:
 L_{pA} (Schalldruck) 81 dB(A), L_{WA} (Schalleistung) 95 dB(A),
 L_{WA} (garantiert) 96 dB(A)

Gewichteter Hand-/Arm-Vibrationswert nach EN 786: 3,86 m/s^2

Kevin Hewitt
Director of Consumer Engineering
Spennymoor, County Durham DL16 6JG,
Vereinigtes Königreich
1-8-2005

Design-Anmeldungs-Nr. Europäische Gemeinschaft 388756

Garantie

Black & Decker vertraut auf die Qualität der eigenen Geräte und bietet dem Käufer eine außergewöhnliche Garantie. Diese Garantiezusage versteht sich unbeschadet der gesetzlichen Gewährleistungsansprüche und schränkt diese keinesfalls ein. Sie gilt in sämtlichen Mitgliedsstaaten der Europäischen Union und der Europäischen Freihandelszone EFTA.

Tritt innerhalb von 24 Monaten ab Kaufdatum an einem Gerät von Black & Decker ein auf Material- oder Verarbeitungsfehler zurückzuführender Mangel auf, garantiert Black & Decker den Austausch defekter Teile, die Reparatur von Geräten mit üblichem Verschleiß bzw. den Austausch eines mangelhaften Geräts, ohne den Kunden dabei mehr als unbedingt nötig in Anspruch zu nehmen, allerdings vorbehaltlich folgender Ausnahmen:

- ◆ wenn das Gerät gewerblich, beruflich oder im Verleihgeschäft benutzt wurde;
- ◆ wenn das Gerät mißbräuchlich verwendet oder mit mangelnder Sorgfalt behandelt wurde;
- ◆ wenn das Gerät durch irgendwelche Fremdeinwirkung beschädigt wurde;
- ◆ wenn ein unbefugter Reparaturversuch durch anderes Personal als das einer Vertragswerkstatt oder des Black & Decker-Kundendienstes unternommen wurde.

Zur Inanspruchnahme dieser Garantie ist dem Verkäufer bzw. der Vertragswerkstatt ein Kaufnachweis vorzulegen. Der Kaufnachweis muß Kaufdatum und Gerätetyp bescheinigen. Die Adresse des zuständigen Büros von Black & Decker steht in dieser Anleitung, darüber läßt sich die nächstgelegene Vertragswerkstatt ermitteln. Außerdem ist eine Liste der Vertragswerkstätten und aller Kundendienststellen von Black & Decker sowie der zuständigen Ansprechpartner im Internet zu finden unter: **www.2helpU.com**

Bitte besuchen Sie unsere Webseite **www.blackanddecker.de**, um Ihr neues Black & Decker Produkt zu registrieren und über neue Produkte und Sonderangebote aktuell informiert zu werden. Weitere Informationen über die Marke Black & Decker und unsere Produkte finden Sie unter **www.blackanddecker.de**

Utilisation prévue

Votre coupe bordures Black & Decker a été conçu pour tailler et arranger les bordures de pelouse et pour couper l'herbe dans des espaces réduits.

Cet outil a été conçu pour une utilisation exclusivement domestique.

Instructions de sécurité

- ◆ **Attention !** Lors de l'utilisation d'outils électriques, observez les consignes fondamentales de sécurité, y compris celles qui suivent afin de réduire les risques d'incendie, de décharges électriques, de blessures et de dommages matériels.
- ◆ Lisez et observez attentivement les instructions avant d'utiliser l'outil.
- ◆ Conservez ces instructions.
- ◆ Débranchez l'outil avant d'effectuer tout réglage, entretien ou réparation.

Tenez votre aire de travail propre et bien rangée

Le désordre augmente les risques d'accident.

Tenez compte des conditions ambiantes

N'exposez pas l'outil à la pluie. N'exposez pas l'outil à l'humidité. Veillez à ce que l'aire de travail soit bien éclairée. N'utilisez pas l'outil s'il existe un risque d'incendie ou d'explosion, par exemple en présence de liquides ou de gaz inflammables.

Tenez les enfants éloignés

Ne laissez pas les enfants, les visiteurs ou les animaux s'approcher de l'aire de travail ou toucher l'outil ou le câble d'alimentation.

Portez des vêtements de travail appropriés

Ne pas porter de vêtements flottants ou de bijoux. Ils pourraient être happés par les pièces en mouvement. Lors de travaux à l'extérieur, il est recommandé de porter des gants en caoutchouc et des chaussures à semelle anti-dérapante. Le cas échéant, attachez vos cheveux s'ils sont longs, ou couvrez vous la tête.

Protection

Portez toujours des lunettes de protection. Portez des lunettes de protection et un masque pour protéger le visage si le travail exécuté produit de la poussière ou des copeaux volants. Portez des protections auditives.

Protégez-vous des décharges électriques.

Veillez à ce que le corps n'entre pas en contact avec des surfaces reliées à la prise de masse ou de terre (par ex. tuyaux, radiateurs, cuisinières et réfrigérateurs).

Utilisez un interrupteur de protection contre les courants de court-circuits à haute sensibilité (30 mA / 30 mS) pour améliorer la sécurité électrique.

Adoptez une position confortable

Toujours tenir les deux pieds à terre et garder l'équilibre.

Faites preuve de vigilance

Observez votre travail. Faites preuve de bon sens. Ne pas employer l'outil en cas de fatigue.

Fixez bien la pièce à travailler

Pour plus de sécurité, fixez la pièce à travailler avec un dispositif de serrage ou un étau. Ainsi, vous aurez les deux mains libres pour manier l'outil.

Branchez le dispositif d'extraction de poussière.

Si vous disposez de systèmes pour brancher les dispositifs d'extraction et de ramassage de poussière, assurez-vous qu'ils sont bien branchés et qu'ils fonctionnent correctement.

Enlevez les clés et outils de réglage

Avant de mettre l'outil en marche, retirez les clés et outils de réglage.

Rallonges

Vérifiez la rallonge avant de l'utiliser et remplacez-la en cas de dommage. Si vous souhaitez utiliser cet outil à l'extérieur, n'utilisez que des rallonges prévues à cet effet. Des rallonges Black & Decker de 30 m de longueur peuvent être utilisées sans perte de puissance.

Utilisez l'outil adéquat

Le domaine d'utilisation de l'outil est décrit dans le présent manuel. Ne pas utiliser d'outils ou d'accessoires de trop faible puissance pour exécuter des travaux lourds. L'utilisation d'accessoires autres que ceux recommandés dans le présent manuel pourrait entraîner un risque de blessure. Ne forcez pas l'outil. N'utilisez jamais l'outil pour effectuer des travaux autres que ceux pour lesquels il a été conçu, par exemple n'utilisez pas les scies circulaires pour scier des branches d'arbres ou des bûches.

Attention ! Utilisez l'outil conformément à sa destination.

Contrôlez les dommages éventuels de votre outil

Avant d'utiliser l'outil et le câble d'alimentation, vérifiez soigneusement qu'ils ne sont pas endommagés. Vérifiez l'alignement des pièces en mouvement, leur prise et toute rupture de pièces, tout dommage des protections et des interrupteurs et toute autre condition pouvant affecter le fonctionnement de l'outil. Veillez à ce que l'outil fonctionne correctement et qu'il exécute les tâches pour lesquelles il est prévu.

N'utilisez pas l'outil si une pièce est défectueuse. Ne pas utiliser l'outil si l'interrupteur marche/arrêt ne fonctionne pas. Faites réparer ou échangez toute pièce endommagée par un service de réparation agréé. Ne tentez jamais de le réparer vous-même.



Les personnes et les animaux doivent se tenir à une distance d'au moins 6 m de la zone de coupe.



N'exposez pas l'outil à la pluie ou à l'humidité.

Retirez l'outil de la prise

Retirez l'outil de la prise lorsque l'outil n'est pas utilisé, avant de changer toute pièce de l'outil ou tout accessoire et avant de procéder à l'entretien.

Évitez tout démarrage involontaire

Ne portez pas l'outil avec un doigt sur l'interrupteur marche/arrêt. Assurez-vous que l'outil est en position d'arrêt avant de le brancher.

Ne tirez pas sur le câble d'alimentation

Ne portez jamais l'outil par le câble et ne tirez pas sur celui-ci pour le débrancher de la prise. Préservez le câble de la chaleur, de l'huile et des arêtes tranchantes.

Rangez vos outils dans un endroit sûr

Lorsque vous n'utilisez pas vos outils, rangez-les dans un endroit sec, fermé ou élevé, hors de portée des enfants.

Entretenez vos outils avec soin

Maintenez vos outils affûtés et propres afin de travailler mieux et plus sûrement. Suivez les instructions d'entretien et de changement d'accessoires. Maintenez les poignées et les interrupteurs secs, propres et exempts d'huile et de graisse.

Réparations

Cet outil est conforme aux conditions de sécurité requises. Les réparations devront uniquement être effectuées par des personnes qualifiées utilisant des pièces de rechange d'origine ; en cas contraire, cela pourrait être très dangereux pour l'utilisateur.

Sécurité électrique



L'outil est doublement isolé; par conséquent, une prise de terre n'est pas nécessaire. Vérifiez si la tension secteur correspond à la tension indiquée sur la plaque d'identification.

Instructions de sécurité supplémentaires pour les coupe bordures

Les symboles de prévention suivants se trouvent sur l'outil :



Lisez le manuel avant l'emploi.



Portez des lunettes de sécurité lorsque vous utilisez cet outil.

- ◆ Familiarisez-vous avec les commandes et l'utilisation de cet outil.
- ◆ N'utilisez l'outil qu'à la lumière du jour ou sous un éclairage artificiel efficace.
- ◆ Avant toute utilisation, vérifiez que le câble électrique et sa rallonge ne sont ni endommagés, ni usés. Si un câble est endommagé pendant le travail, débranchez-le immédiatement du secteur. **NE TOUCHEZ PAS LE CÂBLE AVANT D'AVOIR DÉBRANCHÉ LA MACHINE.**
- ◆ N'utilisez pas l'outil lorsque les câbles sont usés ou endommagés.
- ◆ Portez des chaussures ou des bottes renforcées pour protéger vos pieds.
- ◆ Portez un pantalon pour protéger vos jambes.
- ◆ Avant d'utiliser l'outil, vérifiez qu'aucun bâton, fil de fer, pierre ou tout autre obstacle n'obstrue la zone de coupe.
- ◆ Utilisez seulement l'outil en position droite, en tenant le fil de coupe près du sol. N'allumez jamais l'outil dans une autre position.
- ◆ Déplacez-vous lentement lorsque vous utilisez l'outil. Faites attention car l'herbe fraîchement coupée est humide et glissante.
- ◆ Ne travaillez pas sur un sol très pentu. Travaillez de façon perpendiculaire aux pentes et non en montant ou en descendant.
- ◆ Ne traversez jamais de chemins ou de routes en gravier lorsque l'outil fonctionne.
- ◆ Ne touchez jamais le fil de coupe lorsque l'outil fonctionne.
- ◆ Ne posez pas l'outil avant que le fil de coupe ne se soit complètement arrêté.
- ◆ Utilisez uniquement le bon type de fil de coupe. N'utilisez jamais de fil de coupe métallique ni de fil de pêche.
- ◆ Veillez à ne pas toucher la lame coupe-fil.
- ◆ Veillez à ne pas laisser le câble à proximité du fil de coupe. Surveillez toujours la position du câble.
- ◆ Tenez vos mains et vos pieds à distance du fil de coupe à tout moment, et plus particulièrement lorsque vous faites démarrer le moteur.
- ◆ **Attention !** Les éléments de coupe continuent de tourner une fois l'outil arrêté.
- ◆ N'utilisez jamais l'outil avec des protections endommagées ou manquantes.
- ◆ Vérifiez toujours que les orifices de ventilation sont bien débarrassés de tous débris.

Caractéristiques

Cet outil comprend toutes ou certaines des caractéristiques suivantes.

1. Interrupteur marche/arrêt
2. Poignée
3. Dispositif serre-câbles
4. Entrée électrique
5. Poignée secondaire
6. Tube
7. Crochets d'accroche du fil
8. Bouton de réglage
9. Carter de protection
10. Lame coupe-fil
11. Fil de coupe
12. Logement de bobine
13. Guide-bordures
14. Tête

Assemblage

Attention ! Avant l'assemblage, assurez-vous que l'outil est éteint et débranché.

Montage du tube sur la tête (fig. A)

- ◆ Alignez la languette rectangulaire du tube (6) avec l'encoche dans la tête (14).
- ◆ Insérez le tube dans la tête et poussez-le pour qu'il s'enclenche.

Montage de la poignée sur le tube (fig. B)

- ◆ Alignez la languette carrée du tube (6) avec l'encoche dans la poignée (2).
- ◆ Insérez le tube dans la poignée et poussez-le pour qu'il s'enclenche.

Mise en place du carter protecteur (fig. C)

- ◆ Retirez la vis (15) de la tête.
- ◆ Placez le carter de protection sur l'outil selon le schéma.
- ◆ Appuyez fermement sur le carter (9) jusqu'à ce qu'il se mette en place avec un clic sec.
- ◆ Fixez le carter protecteur avec la vis.

Attention ! N'utilisez jamais l'outil si le carter protecteur n'est pas correctement installé.

Déroulement du fil de coupe.

Durant le travail, le fil de coupe est caché par le boîtier moteur.

- ◆ Enlevez le ruban qui retient le fil de coupe (11) à la protection de la bobine (12).

Branchement de l'outil au secteur (fig. D)

- ◆ Branchez la prise femelle d'un fil de rallonge adapté à l'entrée d'alimentation électrique (4)

- ◆ Enroulez le câble autour du serre-câble (3).
- ◆ Branchez la prise mâle du câble au secteur.

Enroulement dans les outils à fil : Assurez-vous que le câble est bien enroulé autour du serre-câble avant de brancher la prise sur le secteur.

Attention ! Le câble de rallonge doit être adapté pour le travail en extérieur.

Utilisation

Attention ! Laissez l'outil fonctionner à sa propre vitesse. Ne le surchargez pas.

Réglage de l'outil en mode taille ou coupe (fig. E - G)

L'outil peut être utilisé en mode de taille comme indiqué à la fig. F ou en mode de coupe pour tailler de l'herbe en surplomb dans les coins de pelouse et les parterres de fleurs comme indiqué à la fig. G.

Mode taille (fig. E & F)

Pour la taille, la tête du coupe bordures doit être dans la position illustrée en fig. F. Si ce n'est pas le cas :

- ◆ Appuyez sur le bouton de réglage (8).
- ◆ Faites pivoter la tête (14) tout en relâchant le bouton.
- ◆ Lorsque la tête est placée dans la position souhaitée, le bouton se bloque.

Remarque : le tube ne tourne que dans un sens.

Mode coupe (fig. E & G)

Pour la coupe, la tête du coupe bordures doit être dans la position illustrée en fig. G. Si ce n'est pas le cas :

- ◆ Appuyez sur le bouton de réglage (8).
- ◆ Faites pivoter la tête (14) tout en relâchant le bouton.
- ◆ Lorsque la tête est placée dans la position souhaitée, le bouton se bloque.

Remarque : le tube ne tourne que dans un sens.

Démarrage et arrêt

- ◆ Pour allumer l'outil, appuyez sur l'interrupteur (1)
- ◆ Relâchez l'interrupteur pour éteindre l'outil.

Attention ! N'essayez jamais de bloquer l'interrupteur en position de marche.

Conseils pour une utilisation optimale

Général

- ◆ Pour des résultats de coupe optimaux, ne coupez que de l'herbe sèche.

Taille

- ◆ Tenez l'outil comme indiqué sur la fig. F.
- ◆ Faites basculer doucement l'interrupteur d'un côté à l'autre.
- ◆ Lorsque vous coupez des hautes herbes, travaillez par étapes en commençant par le haut. Procédez par petites coupes.
- ◆ Veillez à ne pas approcher l'outil des objets durs et des plantes délicates.
- ◆ Si l'outil commence à fonctionner lentement, réduisez la charge.

Coupe

Pour des résultats de coupe optimaux, les bordures doivent être supérieures à 50 mm.

- ◆ N'utilisez pas l'outil pour créer des bordures. Pour cette opération, utilisez des cisailles à gazon.
- ◆ Guidez l'outil comme indiqué sur la fig. G.
- ◆ Pour une coupe plus nette, inclinez légèrement l'outil.

Entretien

Votre outil a été conçu pour fonctionner pendant longtemps avec un minimum d'entretien. Un fonctionnement continu satisfaisant dépend d'un nettoyage régulier et d'un entretien approprié de l'outil.

Attention ! Avant d'effectuer tout entretien, éteignez et débranchez l'outil.

- ◆ Nettoyez régulièrement les orifices de ventilation de votre outil à l'aide d'une brosse douce ou d'un chiffon sec.
- ◆ Nettoyez régulièrement le fil de coupe et la bobine à l'aide d'une brosse douce ou d'un chiffon sec.
- ◆ Utilisez régulièrement un grattoir pour enlever toutes les saletés et l'herbe accumulées sous le carter protecteur.

Mise en place d'une nouvelle bobine de fil de coupe (fig. H - J)

Bobine avec fil de coupe simple (fig. H)

Des bobines de fil de coupe de rechange sont disponibles chez votre revendeur Black & Decker (n° cat. A6481).

- ◆ Maintenez les languettes (16) enfoncées et retirez le couvercle de la bobine (17) de la protection (12).
- ◆ Retirez la bobine vide (18) du support de bobine.
- ◆ Enlevez toute trace de saleté ou d'herbe du couvercle de la bobine et du boîtier.
- ◆ Prenez la nouvelle bobine et déroulez env. 9 cm de fil de coupe.
- ◆ Faites entrer le fil de coupe dans l'œillet (19).
- ◆ Poussez la bobine sur l'axe (20) et faites-la tourner légèrement jusqu'à ce qu'elle soit bien installée. Assurez-vous que le fil de coupe n'est pas coincé sous la bobine et que 9 cm de fil de coupe dépassent de la protection.
- ◆ Alignez les languettes sur le couvercle de la bobine avec les trous dans la protection.

- ◆ Enfoncez le couvercle sur le support jusqu'à ce qu'il se mette en place avec un clic sec.

Attention ! Si le fil de coupe dépasse de la lame de coupe (10), coupez-le afin qu'il atteigne juste la lame.

Bobine avec fil de coupe double (fig. I & J)

Des bobines de fil de coupe de rechange sont disponibles chez votre revendeur Black & Decker (n° cat. A6441). Des cassettes complètes contenant une bobine de fil de coupe sont également disponibles (n° cat. A6488).

- ◆ Maintenez les languettes (21) enfoncées et retirez le couvercle de la bobine (22) de la protection (12).
- ◆ Retirez la bobine vide (23) du couvercle de la bobine.
- ◆ Enlevez toute trace de saleté ou d'herbe du couvercle de la bobine et du boîtier.
- ◆ Prenez la bobine neuve et enfoncez-la sur le bossage du couvercle de la bobine. Faites lentement tourner la bobine jusqu'à ce qu'elle soit bien en place.
- ◆ Saisissez l'une des extrémités des fils de coupe et faites glisser le fil dans l'un des filets (24). Tirez environ 9 cm de fil hors du couvercle de la bobine.
- ◆ Détachez l'extrémité de l'autre fil de coupe et faites passer la ligne dans l'autre filet. Tirez environ 9 cm de fil hors du couvercle de la bobine.
- ◆ Alignez les languettes (21) sur le couvercle de la bobine avec les échancrures (25) dans la protection.
- ◆ Enfoncez le couvercle sur le support jusqu'à ce qu'il se mette en place avec un clic sec.

Attention ! Si les fils de coupe dépassent de la lame de coupe (10), coupez-les afin qu'ils atteignent juste la lame.

Enroulement d'une nouvelle ligne de coupe sur une bobine vide (fig. K - O)

Vous pouvez enrouler un nouveau fil de coupe sur une bobine vide.

Bobine avec ligne de coupe simple (fig. K & L)

Des bobines de fil de coupe de rechange sont disponibles chez votre revendeur Black & Decker (n° cat. A6170 (25 m) & A6171 (40 m)).

- ◆ Retirez la bobine vide de l'outil comme expliqué ci-dessus.
- ◆ Retirez tout fil de coupe restant de l'outil.
- ◆ Faites entrer 2 cm de fil de coupe dans l'un des trous (26) de la bobine comme indiqué.
- ◆ Pliez le fil de coupe et coincé-le dans la fente en forme de L (27).
- ◆ Enroulez le fil de coupe sur la bobine dans le sens de la flèche (28). Veillez à enrouler le fil proprement et en couches successives. Ne l'entrecroisez pas.
- ◆ Lorsque le fil de coupe enroulé est encastré (29), coupez-le. Laissez le fil sortir d'env. 9 cm de la bobine et mettez un doigt sur le fil pour le maintenir en place.

- ◆ Procédez comme expliqué ci-dessus pour installer la bobine dans l'outil.

Attention ! Utilisez uniquement le bon type de fil de coupe de Black & Decker.

Bobine avec ligne de couple double (fig. M - 0)

Des bobines de fil de coupe de rechange sont disponibles chez votre revendeur Black & Decker (n° cat. A6440).

- ◆ Retirez la bobine vide de l'outil comme expliqué ci-dessus.
- ◆ Retirez tout fil de coupe restant de l'outil.
- ◆ Enroulez d'abord le nouveau fil sur la partie proéminente de la bobine :
 - Faites entrer 2 cm de fil de coupe dans l'un des trous (30) de la section supérieure de la bobine comme indiqué.
 - Enroulez le fil de coupe sur la bobine dans le sens de la flèche (31). Veillez à enrouler le fil proprement et en couches successives. Ne l'entrecroisez pas.
 - Lorsque le fil de coupe enroulé est encastré (32), coupez-le.
 - Laissez temporairement le fil dans les encoches (33) sur un côté de la bobine comme indiqué.
- ◆ Répétez l'opération précédente pour le second fil de coupe sur la partie inférieure de la bobine. Laissez le fil dans les encoches restées libres (33).
- ◆ Procédez comme expliqué ci-dessus pour installer la bobine dans l'outil. N'oubliez pas de relâcher le fil de coupe des encoches où vous l'avez laissé (33).

Attention ! Utilisez uniquement le bon type de fil de coupe de Black & Decker. Vérifiez que le fil de coupe se trouve dans les deux parties de la bobine.

Dépannage

Si votre outil ne semble pas fonctionner correctement, suivez les instructions ci-dessous. Si elles ne vous sont d'aucune aide pour résoudre le problème, contactez votre service de réparation local Black & Decker.

Attention ! Avant de commencer, débranchez l'outil.

Si l'outil fonctionne lentement

- ◆ Vérifiez que le support de la bobine tourne correctement et librement. Nettoyez-la soigneusement si cela est nécessaire.
- ◆ Vérifiez que le fil de coupe ne dépasse pas de plus de 9 cm le boîtier de la bobine. Si c'est le cas, coupez-le pour qu'il atteigne juste la lame coupe-fil.

L'alimentation du fil automatique ne fonctionne pas

- ◆ Maintenez les languettes enfoncées et retirez le couvercle du boîtier.

- ◆ Enfoncez le fil de coupe jusqu'à ce qu'il dépasse de 9 cm du boîtier. S'il reste peu de fil de coupe sur la bobine, installez une nouvelle bobine de fil de coupe comme expliqué ci-dessus.
- ◆ Alignez les languettes sur le couvercle de la bobine avec les échancrures dans la protection.
- ◆ Enfoncez le couvercle sur le support jusqu'à ce qu'il se mette en place avec un clic sec.
- ◆ Si le fil de coupe dépasse la lame coupe fil, coupez-le afin qu'il atteigne juste la lame.

Si l'alimentation automatique de fil ne fonctionne toujours pas, essayez les suggestions suivantes :

- ◆ Nettoyez soigneusement le couvercle de la bobine et le boîtier.
- ◆ Retirez la bobine et vérifiez que la gâchette bouge librement.
- ◆ Retirez la bobine et déroulez le fil de coupe, puis enroulez-le à nouveau proprement comme expliqué ci-dessus. Remettez la bobine en place comme expliqué.

Protection de l'environnement



Collecte séparée. Ce produit ne doit pas être jeté avec les déchets domestiques normaux.

Si vous décidez de remplacer ce produit Black & Decker, ou si vous n'en avez plus l'utilité, ne le jetez pas avec vos déchets domestiques. Rendez-le disponible pour une collecte séparée.



La collecte séparée des produits et emballages usés permet le recyclage des articles afin de les utiliser à nouveau. Le fait d'utiliser à nouveau des produits recyclés permet d'éviter la pollution environnementale et de réduire la demande de matières premières.

Les réglementations locales peuvent permettre la collecte séparée des produits électriques du foyer, dans des déchetteries municipales ou auprès du revendeur vous ayant vendu votre nouveau produit.

Black & Decker fournit un dispositif permettant de collecter et de recycler les produits Black & Decker lorsqu'ils ont atteint la fin de leur cycle de vie. Pour pouvoir profiter de ce service, veuillez retourner votre produit à un réparateur agréé qui se chargera de le collecter pour nous.

Pour connaître l'adresse du réparateur agréé le plus proche de chez vous, contactez le bureau Black & Decker à l'adresse indiquée dans ce manuel. Vous pourrez aussi trouver une liste des réparateurs agréés de Black & Decker et de plus amples détails sur notre service après-vente sur le site Internet à l'adresse suivante : www.2helpU.com

Caractéristiques techniques

		GL301	GL315	GL350
Tension	V _{AC}	230	230	230
Puissance absorbée	W	300	320	350
Vitesse à vide	min ⁻¹	10.000	10.000	10.000
Poids	kg	2,2	2,2	2,2

Déclaration de conformité CE

GL301/GL315/GL350

Black & Decker déclare que ces produits sont conformes à :
98/37/CEE, 89/336/CEE, 73/23/CEE, EN 60335, EN 55014,
EN 61000

2000/14/CE, Tondeuse à gazon, L <50, Annexe VIII,
N° 499

SNCH, L-5230 Sandweiler, Luxembourg

Niveau de pression acoustique, mesuré suivant la norme
EN ISO 3744 :

L_{PA} (pression sonore) 81 dB(A),L_{WA} (puissance acoustique) 95 dB(A), L_{WA} (garanti) 96 dB(A)

Niveau de vibration main/bras selon la norme
EN 786 : 3,86 m/s²



Kevin Hewitt

Directeur Ingénierie Client
Spennymoor, County Durham DL16 6JG,
Royaume Uni
1-8-2005

Dessin pour demande de brevet UE n° 388756

Garantie

Black & Decker est confiant dans la qualité de ses produits et vous offre une garantie très étendue. Ce certificat de garantie est un document supplémentaire et ne peut en aucun cas se substituer à vos droits légaux. La garantie est valable sur tout le territoire des Etats Membres de l'Union Européenne et de la Zone de Libre Echange Européenne.

Si un produit Black & Decker s'avère défectueux en raison de matériaux en mauvaises conditions, d'une erreur humaine, ou d'un manque de conformité dans les 24 mois suivant la date d'achat, Black & Decker garantit le remplacement des pièces défectueuses, la réparation des produits usés ou cassés ou remplace ces produits à la convenance du client, sauf dans les circonstances suivantes :

- ◆ Le produit a été utilisé dans un but commercial, professionnel, ou a été loué.
- ◆ Le produit a été mal utilisé ou avec négligence.
- ◆ Le produit a subi des dommages à cause d'objets étrangers, de substances ou à cause d'accidents.
- ◆ Des réparations ont été tentées par des techniciens ne faisant pas partie du service technique de Black & Decker.

Pour avoir recours à la garantie, il est nécessaire de fournir une preuve d'achat au vendeur ou à un réparateur agréé. Pour connaître l'adresse du réparateur agréé le plus proche de chez vous, contactez le bureau Black & Decker à l'adresse indiquée dans ce manuel. Vous pourrez aussi trouver une liste des réparateurs agréés de Black & Decker et de plus amples détails sur notre service après-vente sur le site Internet à l'adresse suivante : **www.2helpU.com**

Visitez notre site Web **www.blackanddecker.fr** pour enregistrer votre nouveau produit Black & Decker et être informé des nouveaux produits et des offres spéciales. Pour plus d'informations concernant la marque Black & Decker et notre gamme de produits, consultez notre site **www.blackanddecker.fr**

Uso previsto

Il tosaerba Black & Decker è stato progettato per tosare e rifinire i cigli dei prati e per tagliare l'erba in spazi ristretti.

L'utensile è stato progettato per un uso individuale.

Istruzioni di sicurezza

- ◆ **Attenzione!** Quando si adoperano utensili alimentati elettricamente, per ridurre il rischio di incendio, di scosse elettriche e danni a persone e cose è necessario seguire sempre alcune precauzioni di sicurezza basilari, incluso le seguenti:
 - ◆ Prima di adoperare l'utensile, leggere attentamente le istruzioni di cui al presente manuale.
 - ◆ Conservare queste istruzioni per successive consultazioni.
 - ◆ Prima di eseguire interventi di manutenzione, di assistenza o delle regolazioni, estrarre la spina dalla presa.

Tenere pulita l'area di lavoro

Ambienti e banchi di lavoro in disordine possono essere causa d'incidenti.

Tener presenti le caratteristiche dell'ambiente di lavoro

Non lasciare l'utensile sotto la pioggia. Non usare l'utensile in ambienti carichi di umidità. Tenere ben illuminata l'area di lavoro. Non usare l'utensile quando vi sia rischio di provocare un incendio o un'esplosione, per es. in luoghi con atmosfera gassosa o infiammabile.

Tenere i bambini lontani dall'area di lavoro

Non permettere a bambini, ad altre persone o ad animali di avvicinarsi alla zona di lavoro, toccare l'utensile o il cavo di alimentazione.

Usare il vestiario appropriato

Evitare l'uso di abiti svolazzanti, catenine, ecc. in quanto potrebbero rimanere impigliati nelle parti mobili dell'utensile. Lavorando all'aperto indossare guanti di gomma e scarpe con soles antidrucciolo. Raccogliere i capelli se si portano lunghi.

Protezione personale

Indossare occhiali di sicurezza. Indossare una mascherina contro la polvere ogni volta che l'uso dell'utensile provochi polvere o schegge. Indossare cuffie acustiche.

Fare attenzione alle scosse elettriche

Evitare il contatto con le superfici messe a terra (ad esempio tubi, radiatori, cuocitori e refrigeratori). La sicurezza elettrica può essere ulteriormente ampliata utilizzando un dispositivo a corrente residua (RCD) ad alta sensibilità (30 mA / 30 mS).

Non sbilanciarsi

Mantenere sempre un buon equilibrio evitando posizioni malsicure.

Stare sempre attenti

Prestare attenzione a quanto si sta facendo. Usare il proprio buon senso. Non utilizzare l'utensile quando si è stanchi.

Bloccare il pezzo da lavorare

Usare pinze o morse per bloccare il pezzo da lavorare. Ciò aumenta la sicurezza e consente di mantenere entrambe le mani libere per operare meglio.

Connettere l'apparecchiatura aspirapolvere

Se sono forniti i dispositivi per la connessione delle macchine per l'aspirazione e la raccolta della polvere, verificare che vengano collegati e utilizzati correttamente.

Non lasciare sull'utensile chiavi o strumenti di misura

Prima di mettere in funzione l'utensile abbiate cura di togliere chiavi e altri strumenti.

Prolunghe

Ispezionare la prolunga prima dell'uso e sostituirla se è danneggiata. Quando l'utensile viene impiegato all'esterno, usare unicamente le prolunghe per uso esterno. È possibile adoperare una prolunga Black & Decker fino a 30 m senza perdita di potenza.

Adoperare l'utensile adatto alla situazione

L'utilizzo previsto è quello indicato nel presente manuale. Non forzare utensili e accessori di potenza limitata impiegandoli per lavori destinati ad utensili di maggiore potenza. Non forzare l'utensile. L'attrezzo va utilizzato esclusivamente per l'uso cui è destinato; ad esempio una sega circolare non deve essere adoperata per tagliare rami o tronchi.

Attenzione! L'uso di accessori o attrezzature diversi o l'impiego del presente utensile per scopi diversi da quelli indicati nel presente manuale d'uso comportano il rischio di infortuni.

Controllare che non vi siano parti danneggiate

Prima dell'uso, ispezionare accuratamente l'utensile e il cavo elettrico per rilevare eventuali danni. Controllare se ci sono parti non allineate o parti mobili con gioco, componenti rotti, danni alle protezioni o agli interruttori e qualsiasi altra condizione che possa incidere sul funzionamento dell'utensile. Accertare che l'utensile funzioni come previsto e che venga impiegato per lo scopo per cui è stato progettato. Non usare l'utensile se presenta elementi danneggiati o difettosi. Non impiegare l'utensile se non è possibile accenderlo e spegnerlo mediante l'interruttore. Eventuali componenti difettosi o danneggiati devono essere sostituiti o riparati da un tecnico autorizzato. Non tentare mai di effettuare delle riparazioni.

Estrarre la spina dalla presa di alimentazione

Estrarre la spina dalla presa di alimentazione quando l'utensile non è in uso, prima di cambiare pezzi, accessori o complementi e prima di eseguire lavori di manutenzione.

Evitare di avviare l'utensile quando non è necessario

Non portate l'utensile con il dito sull'interruttore. Prima di collegare l'utensile alla presa, verificare che sia spento.

Non forzare il cavo di collegamento elettrico

Non sostenere mai l'utensile mediante il cavo né tirare quest'ultimo per estrarne la spina dalla presa. Mantenere il cavo lontano da fonti di calore, olio e spigoli taglienti.

Conservazione dell'utensile dopo l'uso

Quando non vengono usati, gli utensili vanno conservati in un luogo asciutto e inaccessibile (sottochiave o in alto), fuori dalla portata dei bambini.

Mantenere l'utensile con cura

Mantenere gli utensili da taglio affilati e puliti in modo da ottenere una miglior e più sicura resa. Seguire le istruzioni di manutenzione e cambio di accessori. Mantenere le impugnature e gli interruttori asciutti, puliti e senza tracce di olio o grassi.

Riparazioni

Questo utensile è conforme ai relativi requisiti di sicurezza. Le riparazioni devono essere eseguite soltanto da personale qualificato e con pezzi di ricambio originali, per evitare di esporre gli utenti a considerevoli rischi.

Sicurezza elettrica



Il doppio isolamento di cui è provvisto l'utensile rende superfluo il filo di terra. Controllare sempre che la tensione di alimentazione corrisponda a quella indicata sulla targhetta.

Istruzioni supplementari di sicurezza per il tosaerba

I seguenti simboli di avvertenza si trovano sull'elettrotensile:



Prima dell'uso leggere il presente manuale.



Indossare sempre occhiali di protezione quando si utilizza questo elettrotensile.



Non consentire a persone o animali di avvicinarsi a meno di 6 m dall'area di taglio.



Non esporre l'elettrotensile a pioggia o a condizioni di alta umidità.

- ◆ Familiarizzarsi con i comandi e l'uso corretto dell'elettrotensile.
- ◆ Adoperarlo solo alla luce naturale oppure con una buona illuminazione artificiale.
- ◆ Prima dell'uso, controllare che il cavo di alimentazione e la prolunga non presentino segni di danni, invecchiamento e usura. Se un cavo si danneggia durante l'uso, disinserire immediatamente la spina dell'apparecchio dalla presa di corrente. **NON TOCCARE IL CAVO PRIMA DI SCOLLEGARE L'ALIMENTAZIONE.**
- ◆ Non usare l'elettrotensile se il cavo di alimentazione è usurato o danneggiato.
- ◆ Indossare scarpe robuste o scarponi per proteggere i piedi.
- ◆ Indossare pantaloni a gamba lunga per proteggere le gambe.
- ◆ Prima di usare l'elettrotensile, verificare che il percorso da tosare sia sgombro da pezzi di legno, pietre, fili e qualsiasi altro ostacolo.
- ◆ Usate l'elettrotensile soltanto in posizione verticale, con il filo di taglio vicino al suolo. Non avviare mai l'elettrotensile in nessun'altra posizione.
- ◆ Procedere lentamente quando si adopera l'elettrotensile. Ricordare sempre che l'erba appena tagliata è umida e scivolosa.
- ◆ Non lavorare su pendenze ripide. Quando si lavora in pendio, spostare l'elettrotensile da lato a lato, mai da dall'alto in basso.
- ◆ Non attraversare mai percorsi di ghiaia o asfaltati con l'elettrotensile in funzione.
- ◆ Non toccare mai il filo di taglio mentre l'elettrotensile è acceso.
- ◆ Non poggiare l'elettrotensile a terra fino a che il filo di taglio non si è arrestato del tutto.
- ◆ Impiegare unicamente il filo di taglio adeguato. Non utilizzare fili di taglio metallici o fili da pesca.
- ◆ Fate attenzione a non toccare la lama del filo tosaerba.
- ◆ Attenzione a tenere il cavo dell'alimentazione lontano dal filo di taglio. Tenere sempre sotto controllo la posizione del cavo.
- ◆ Tenere sempre mani e piedi lontani dal filo di taglio, soprattutto quando si accende il motore.
- ◆ Attenzione! Gli elementi da taglio continuano a ruotare dopo lo spegnimento dell'elettrotensile.
- ◆ Non utilizzare mai l'elettrotensile con le protezioni danneggiate o non inserite.
- ◆ Controllare sempre che le prese di ventilazione siano sgombre da detriti.

Caratteristiche

Questo elettroutensile è dotato di tutte le caratteristiche elencate di seguito, o di alcune di esse.

1. Interruttore acceso/spento
2. Maniglia
3. Fermacavo
4. Ingresso alimentazione
5. Impugnatura secondaria
6. Tubo
7. Ganci per riporre il cavo
8. Pulsante di regolazione
9. Protezione
10. Lama del filo tosaerba
11. Filo di taglio
12. Alloggiamento bobina
13. Guida per bordo
14. Testa

Montaggio

Attenzione! Prima di montarlo assicuratevi che l'utensile sia spento e desinserito.

Collegamento del tubo alla testa (fig. A)

- ◆ Allineare la linguetta rettangolare del tubo (6) con l'apposito spazio nella testa (14).
- ◆ Inserire il tubo nella testa e premerlo finché non scatta in posizione.

Collegamento dell'impugnatura al tubo (fig. B)

- ◆ Allineare la linguetta quadrata del tubo (6) con l'apposito spazio nell'impugnatura (2).
- ◆ Inserire il tubo nell'impugnatura e premerlo finché non scatta in posizione.

Montaggio della protezione (fig. C)

- ◆ Estrarre la vite (15) dalla testa.
- ◆ Mettere la protezione sull'elettroutensile, come illustrato.
- ◆ Premere con decisione la protezione (9) fino a farla scattare in posizione.
- ◆ Bloccare la protezione con la vite.

Attenzione! Non usare mai l'elettroutensile se la protezione non è installata correttamente.

Sblocco del filo di taglio

Durante il trasporto, il filo di taglio è fissato all'alloggiamento della bobina.

- ◆ Rimuovere il nastro che ferma il filo di taglio (11) all'alloggiamento della bobina (12).

Collegamento dell'elettroutensile alla presa di corrente (fig. D)

- ◆ Connettere all'ingresso dell'alimentazione (4) la femmina di un cavo di lunghezza adatta.
- ◆ Infilare il cavo nell'occhiello (3).
- ◆ Inserire la spina di alimentazione principale in una presa di alimentazione di rete.

Per le unità allacciate direttamente: controllare che il cavo sia stato introdotto nell'occhiello prima di inserire la spina nella presa di alimentazione.

Attenzione! Utilizzare una prolunga per uso esterno.

Uso

Attenzione! Lasciare che l'utensile lavori al suo ritmo, senza sovraccaricarlo.

Impostazione dell'elettroutensile in modalità di taglio o di rifinitura di bordi (fig. E - G)

L'elettroutensile può essere impiegato per tosare l'erba, come mostra la fig. F, oppure per pareggiare l'erba che fuoriesce dai bordi di prati e fioriere, come mostra la fig. G.

Modalità di taglio (fig. E & F)

Per il taglio, la testa deve essere nella posizione illustrata in fig. F. Se non lo è:

- ◆ Premere il pulsante di regolazione (8).
- ◆ Far ruotare la testa (14) mentre si rilascia il pulsante.
- ◆ Quando la testa è in posizione, il pulsante si blocca.

Nota: il tubo ruota in un'unica direzione.

Modalità di rifinitura di bordi (fig. E & G)

Per la rifinitura dei bordi, la testa deve essere nella posizione illustrata in fig. G. Se non lo è:

- ◆ Premere il pulsante di regolazione (8).
- ◆ Far ruotare la testa (14) mentre si rilascia il pulsante.
- ◆ Quando la testa è in posizione, il pulsante si blocca.

Nota: il tubo ruota in un'unica direzione.

Avviamento e spegnimento

- ◆ Per accendere l'elettroutensile, premere l'interruttore a grilletto (1).
- ◆ Per spegnere l'elettroutensile, rilasciare l'interruttore a grilletto.

Attenzione! Non tentare mai di bloccare l'interruttore a grilletto in posizione di accensione.

Consigli per un'ottima utilizzazione

Informazioni generali

- ◆ Per ottenere un taglio ottimale, tosare soltanto erba asciutta.

Tosatura

- ◆ Sostenere l'elettrotensile come raffigurato nella fig. F.
- ◆ Fare oscillare con delicatezza il tosaerba, da un lato all'altro.
- ◆ Quando si tosa erba alta, procedere per gradi, partendo dalla cima. Fare piccoli tagli.
- ◆ Tenere l'elettrotensile lontano da oggetti duri e piante delicate.
- ◆ Se la velocità dell'elettrotensile diminuisce, ridurre il carico.

Rifinitura dei bordi

Per ottenere risultati ottimali, intervenire su bordi con profondità superiore a 50 mm.

- ◆ Non adoperare l'elettrotensile per creare dei bordi; in questo caso è opportuno adoperare un'apposita vanga.
- ◆ Guidare l'elettrotensile come raffigurato nella fig. G.
- ◆ Per eseguire un taglio più accurato, inclinare lievemente l'elettrotensile.

Manutenzione

Questo elettrotensile è stato progettato per funzionare a lungo con un minimo di manutenzione. Per un funzionamento sempre soddisfacente è necessario avere cura dell'elettrotensile e provvedere alla regolare pulizia.

Attenzione! Prima di eseguire qualsiasi intervento di manutenzione, spegnere l'elettrotensile e disinserirne la spina dalla presa.

- ◆ Le feritoie di ventilazione dell'elettrotensile devono essere pulite regolarmente con un pennello morbido o un panno asciutto.
- ◆ Pulire regolarmente il filo di taglio e la bobina con una spazzola morbida o un panno asciutto.
- ◆ Usare regolarmente un raschietto senza punta per togliere l'erba e la sporcizia dalla superficie inferiore della protezione.

Installazione di una nuova bobina di filo di taglio (fig. H - J)

Bobina con filo di taglio singolo (fig. H)

Le bobine di ricambio per il filo di taglio sono disponibili presso il concessionario Black & Decker (n. cat. A6481).

- ◆ Mantenere le linguette (16) premute e togliere il coperchio della bobina (17) dall'alloggiamento (12).
- ◆ Estrarre la bobina vuota (18) dall'alloggiamento.
- ◆ Rimuovere ogni traccia di sporcizia ed erba dal coperchio della bobina e dall'alloggiamento.
- ◆ Svolgere circa 9 cm di filo di taglio dalla nuova bobina.

- ◆ Infilare il filo di taglio nell'occhiello (19).
- ◆ Spingere la bobina nell'albero (20) e ruotarla di poco finché non si assesta. Verificare che il filo di taglio non sia inceppato sotto la bobina e che dall'alloggiamento ne fuoriescano 9 cm.
- ◆ Allineare le linguette sul coperchio della bobina con i fori dell'alloggiamento.
- ◆ Spingere il coperchio nell'alloggiamento fino a bloccarlo in posizione.

Attenzione! Se il filo di taglio fuoriesce oltre la lama di tosatura (10), tagliarlo in modo che raggiunga solo la lama.

Bobina con filo di taglio doppio (fig. I & J)

Le bobine di ricambio per il filo di taglio sono disponibili presso il concessionario Black & Decker (n. cat. A6441). Sono disponibili anche delle cassette complete con una bobina di filo di taglio (n. cat. xspoolcat3).

- ◆ Mantenere le linguette (21) premute e togliere il coperchio della bobina (22) dall'alloggiamento (12).
- ◆ Estrarre la bobina vuota (23) dal relativo coperchio.
- ◆ Rimuovere ogni traccia di sporcizia ed erba dal coperchio della bobina e dall'alloggiamento.
- ◆ Inserire la nuova bobina nella protuberanza del coperchio della bobina. Ruotare leggermente la bobina, sino ad alloggiarla.
- ◆ Sganciare l'estremità di uno dei fili di taglio e guidare il filo in uno degli occhielli (24). Il filo deve sporgere di circa 9 cm dal coperchio della bobina.
- ◆ Sganciare l'estremità dell'altro filo di taglio e guidare il filo nell'altro occhiello. Il filo deve sporgere di circa 9 cm dal coperchio della bobina.
- ◆ Allineare le linguette (21) del coperchio della bobina con le fessure (25) dell'alloggiamento.
- ◆ Spingere il coperchio nell'alloggiamento fino a bloccarlo in posizione.

Attenzione! Se i fili di taglio fuoriescono al di là della lama di tosatura (10), tagliarli in modo che raggiungano solo la lama.

Avvolgimento di un nuovo filo di taglio su una bobina vuota (fig. K - O)

È possibile avvolgere del filo di taglio nuovo su una bobina vuota.

Bobina con filo di taglio singolo (fig. K & L)

Le confezioni di ricambio del filo di taglio sono disponibili presso il concessionario Black & Decker (n. cat. cutlincat1).

- ◆ Rimuovere la bobina vuota dall'elettrotensile, come descritto in precedenza.
- ◆ Rimuovere dalla bobina eventuali residui di filo di taglio.
- ◆ Infilare 2 cm di filo di taglio in uno dei fori (26) della bobina, come illustrato.

- ◆ Piegare il filo di taglio e fermarlo nella feritoia ad L (27).
- ◆ Avvolgere il filo di taglio sulla bobina nel verso della freccia (28). Assicurarsi che il filo si avvolga ordinatamente e a strati successivi, senza seguire percorsi trasversali.
- ◆ Quando il filo di taglio che si sta avvolgendo raggiunge le tacche, (29) tagliarlo. Lasciare fuoriuscire circa 9 cm di filo di taglio e premerlo con un dito per mantenerlo fermo.
- ◆ Per inserire la bobina nell'elettrotensile, procedere come descritto sopra.

Attenzione! Usare esclusivamente il filo adeguato Black & Decker.

Bobina con filo di taglio doppio (fig. M - O)

Le confezioni di ricambio del filo di taglio sono disponibili presso il concessionario Black & Decker (n. cat. A6440).

- ◆ Rimuovere la bobina vuota dall'elettrotensile, come descritto in precedenza.
- ◆ Rimuovere dalla bobina eventuali residui di filo di taglio.
- ◆ Prima avvolgere il nuovo filo nella parte più alta della bobina.
 - Passare 2 cm di filo di taglio in uno dei fori (30) della sezione superiore della bobina, come mostrato.
 - Avvolgere il filo di taglio sulla bobina nel verso della freccia (31). Assicurarsi che il filo si avvolga ordinatamente e a strati successivi, senza seguire percorsi trasversali.
 - Quando il filo di taglio che si sta avvolgendo raggiunge le tacche, (32) tagliarlo.
 - Bloccare temporaneamente il filo nelle fessure (33) su un lato della bobina, come mostrato.
- ◆ Ripetere la procedura precedente per il secondo filo di taglio sulla sezione inferiore della bobina. Bloccare il filo nelle fessure inutilizzate (33).
- ◆ Per inserire la bobina nell'attrezzo, procedere come descritto sopra. Non dimenticare di liberare il filo di taglio dalle aperture (33) in cui è stato temporaneamente fermato.

Attenzione! Usare esclusivamente il filo adeguato della Black & Decker. Verificare che il filo di taglio sia presente in entrambe le sezioni della bobina.

Risoluzione dei problemi

Se l'utensile non sembra funzionare correttamente, procedere come segue. Se il problema persiste, contattare il servizio di assistenza tecnica della Black & Decker.

Attenzione! Prima di procedere, estrarre la spina dalla presa di alimentazione.

L'elettrotensile funziona lentamente

- ◆ Controllare che l'alloggiamento della bobina ruoti liberamente. Se necessario pulirlo accuratamente.
- ◆ Controllare che il filo di taglio non fuoriesca per più di 9 cm dall'alloggiamento della bobina. In caso contrario, tagliare il filo in modo che raggiunga solo la lama di tosatura.

L'alimentazione automatica del filo non funziona

- ◆ Tenere premute le linguette e togliere il coperchio della bobina dall'alloggiamento.
- ◆ Spingere il filo di taglio sino a che fuoriesca dall'alloggiamento di 9 cm. Se non c'è sufficiente filo nella bobina, montare una nuova bobina di filo di taglio, come descritto in precedenza.
- ◆ Allineare le linguette del coperchio della bobina con le fessure dell'alloggiamento.
- ◆ Spingere il coperchio nell'alloggiamento fino a bloccarlo in posizione.
- ◆ Se il filo di taglio fuoriesce oltre la lama di tosatura, tagliarlo in modo che raggiunga solo la lama.

Se l'alimentazione automatica del filo continua a non funzionare, o se la bobina è inceppata, procedere come indicato di seguito:

- ◆ Pulire accuratamente l'alloggiamento e il coperchio della bobina.
- ◆ Estrarre la bobina e controllare se la leva si muove liberamente.
- ◆ Togliere la bobina e srotolare il filo di taglio, poi avvolgere nuovamente il filo, come descritto in precedenza. Sostituire la bobina come indicato.

Protezione dell'ambiente



Raccolta differenziata. Questo prodotto non deve essere smaltito con i normali rifiuti domestici.

Nel caso in cui si decida di sostituire l'apparecchio oppure di disfarsene in quanto non più necessario, non dovrà essere smaltito con i normali rifiuti domestici. Smaltire il prodotto tramite raccolta differenziata.



La raccolta differenziata di prodotti e imballaggi usati, consente il riciclaggio e il riutilizzo dei materiali. Riutilizzare i materiali riciclati aiuta a prevenire l'inquinamento ambientale e riduce la richiesta di materie prime.

In base alle normative locali, i servizi per la raccolta differenziata di elettrodomestici possono essere disponibili presso i punti di raccolta municipali o presso il rivenditore, al momento dell'acquisto di un nuovo prodotto.

Black & Decker offre ai suoi clienti un servizio per la raccolta differenziata e la possibilità di riciclare i prodotti Black & Decker che hanno esaurito la loro durata in servizio. Per usufruire del servizio, è sufficiente restituire il prodotto a qualsiasi tecnico autorizzato, incaricato della raccolta per conto dell'azienda.

Per individuare il tecnico autorizzato più vicino, rivolgersi alla sede Black & Decker locale, presso il recapito indicato nel presente manuale. Altrimenti un elenco completo di tutti i tecnici autorizzati Black & Decker e i dettagli completi sui contatti e i servizi post-vendita sono disponibili sul sito Internet: **www.2helpU.com**

Dati tecnici

		GL301	GL315	GL350
Tensione	V _{AC}	230	20	230
Potenza assorbita	W	300	320	350
Velocità a vuoto	min ⁻¹	10.000	10.000	10.000
Peso	kg	2,2	2,2	2,2

Dichiarazione europea di conformità del macchinario

GL301/GL315/GL350

Black & Decker dichiara che i presenti prodotti sono conformi a:

98/37/CEE, 89/336/CEE, 73/23/CEE, EN 60335, EN 55014, EN 61000

2000/14/CEE, Tosaerba, L <50, Annex VIII, N. 499

SNCH, L-5230 Sandweiler, Luxembourg

Livello di rumorosità, dati conformi alla norma EN ISO 3744:

L_{DA} (pressione sonora) 81 dB(A),

L_{WA} (potenza acustica) 95 dB(A), L_{WA} (garantita) 96 dB(A)

Livello vibrazioni mani/braccia, dati conformi alla norma

EN 786: 3,86 m/s²



Kevin Hewitt
Direttore tecnico prodotti di consumo
Spennymoor, County Durham DL16 6JG,
Regno Unito
1-8-2005

Garanzia

Certa della qualità dei suoi prodotti, Black & Decker offre una garanzia eccezionale. Il presente certificato di garanzia è complementare ai diritti statutari e non li pregiudica in alcun modo. La garanzia è valida entro il territorio degli Stati membri dell'Unione Europea e dell'EFTA (European Free Trade Area).

Se un prodotto Black & Decker risulta difettoso per qualità del materiale, della costruzione o per mancata conformità entro 24 mesi dalla data di acquisto, Black & Decker garantisce la sostituzione delle parti difettose, provvede alla riparazione dei prodotti se ragionevolmente usati oppure alla loro sostituzione, in modo da ridurre al minimo il disagio del cliente a meno che:

- ◆ Il prodotto non sia stato destinato ad usi commerciali, professionali o al noleggio;
- ◆ Il prodotto non sia stato usato in modo improprio o scorretto;
- ◆ Il prodotto non abbia subito danni causati da oggetti o sostanze estranee oppure incidenti;
- ◆ Il prodotto non abbia subito tentativi di riparazione non effettuati da tecnici autorizzati né dall'assistenza Black & Decker.

Per attivare la garanzia è necessario esibire la prova comprovante l'acquisto al venditore o al tecnico autorizzato. Per individuare il tecnico autorizzato più vicino, rivolgersi alla sede Black & Decker locale, presso il recapito indicato nel presente manuale. Altrimenti un elenco completo di tutti i tecnici autorizzati Black & Decker e i dettagli completi sui contatti e i servizi post-vendita sono disponibili su Internet presso: **www.2helpU.com**

I clienti che desiderano registrare il nuovo prodotto Black & Decker e ricevere gli aggiornamenti sui nuovi prodotti e le offerte speciali, sono invitati a visitare il sito Web (**www.blackanddecker.it**). Ulteriori informazioni sul marchio e la gamma di prodotti Black & Decker sono disponibili all'indirizzo **www.blackanddecker.it**

N. di richiesta del modello depositato nella Comunità Europea
388756

Gebruik volgens bestemming

Uw Black & Decker strimmer is ontworpen voor het strimmen en afwerken van graskanten alsmede voor het strimmen van gras in besloten ruimtes.

Deze machine is uitsluitend bestemd voor consumentengebruik.

Veiligheidsvoorschriften

- ◆ **Waarschuwing!** Bij het gebruik van elektrische machines dienen ter bescherming tegen brandgevaar, elektrische schokken, letsel en materiële schade altijd gepaste veiligheidsmaatregelen in acht te worden genomen, waaronder de volgende veiligheidsvoorschriften.
- ◆ Lees de gebruiksaanwijzing aandachtig door voordat u met de machine gaat werken.
- ◆ Bewaar deze instructies zorgvuldig!
- ◆ Neem de stekker uit het stopcontact alvorens instellingen, reparaties of onderhoudswerkzaamheden uit te voeren.

Zorg voor een opgeruimde werkomgeving

Een rommelige werkomgeving leidt tot ongelukken.

Houd rekening met omgevingsinvloeden

Stel de machine niet bloot aan regen. Gebruik de machine niet in een vochtige of natte omgeving. Zorg dat de werkomgeving goed is verlicht. Gebruik de machine niet op plaatsen waar brand- of explosiegevaar bestaat, b.v. in de buurt van brandbare vloeistoffen of gassen.

Houd kinderen uit de buurt

Houd kinderen, bezoekers en dieren buiten het werkgebied en laat ze de machine of de elektriciteitskabel niet aanraken.

Draag geschikte werkkleding

Draag geen wijde kleding of loshangende sieraden. Deze kunnen door de bewegende delen worden gegrepen. Draag bij het werken buitenshuis bij voorkeur rubber werkhandschoenen en schoenen met profielzolen. Houd lang haar bijeen.

Persoonlijke bescherming

Draag altijd een veiligheidsbril. Draag een gezichts- of stofmasker bij werkzaamheden waarbij stofdeeltjes vrijkomen. Draag gehoorbescherming.

Bescherming tegen elektrische schokken

Voorkom aanraking van geaarde oppervlakken (bijv. buizen, radiatoren, fornuizen en koelkasten). Elektrische veiligheid kan verder worden verbeterd met behulp van een hooggevoelige (30 mA / 30 mS) reststroomschakelaar (RCD).

Zorg voor een veilige houding

Zorg altijd voor een juiste, stabiele houding.

Blijf voortdurend oplettend

Houd uw aandacht bij uw werk. Ga met verstand te werk. Gebruik de machine niet als u niet geconcentreerd bent.

Klem het werkstuk goed vast

Gebruik klemmen of een bankschroef om het werkstuk te fixeren. Dit is veiliger, bovendien kan de machine dan met beide handen worden bediend.

Sluit de uitrusting van de stofafvoer aan

Indien hulpmiddelen zijn meegeleverd voor de aansluiting van stofafvoer en voorzieningen voor stofopvang, zorg dan dat deze zijn aangesloten en naar behoren worden gebruikt.

Verwijder sleutels en hulpgereedschappen

Controleer vóór het inschakelen altijd of sleutels en andere hulpgereedschappen zijn verwijderd.

Verlengsnoeren

Inspecteer voor gebruik het verlengsnoer. Vervang het snoer indien het beschadigd is. Maak bij gebruik buitenshuis uitsluitend gebruik van verlengsnoeren die geschikt zijn voor gebruik buitenshuis. Een Black & Decker verlengsnoer met een lengte tot 30 m kan worden gebruikt zonder verlies van vermogen.

Gebruik de juiste machine

Het gebruik volgens bestemming is beschreven in deze handleiding. Gebruik geen te lichte machine of hulpstukken voor te zwaar werk. De machine werkt beter en veiliger indien u deze gebruikt voor het beoogde doel. Overbelast de machine niet. Gebruik de machine niet voor doeleinden waarvoor zij niet bestemd is; gebruik een cirkelzaag bijvoorbeeld niet voor het zagen van boomstronken.

Waarschuwing! Gebruik ter voorkoming van lichamelijk letsel uitsluitend de in deze gebruiksaanwijzing aanbevolen accessoires en hulpstukken. Gebruik de machine uitsluitend volgens bestemming.

Controleer de machine op beschadigingen

Controleer de machine voor gebruik op schade. Controleer of alle bewegende delen correct gemonteerd zijn, of er geen onderdelen gebroken zijn, of er geen beschermkappen en schakelaars beschadigd zijn en of er andere gebreken zijn die invloed op de werking van de machine zouden kunnen hebben. Vergewis u ervan dat de machine correct werkt. Gebruik de machine niet als de aan/uit-schakelaar niet werkt. Defecte onderdelen dienen door een erkend servicecentrum te worden gerepareerd of vervangen. Probeer nooit om de machine zelf te repareren.

De stekker uit het stopcontact verwijderen

Verwijder de stekker uit het stopcontact als u de machine niet gebruikt, voordat u gereedschappen, accessoires of onderdelen van de machine verwisselt en voordat u onderhoud aan de machine uitvoert.



Houd mensen en dieren tenminste 6 m uit de buurt van de snijdraad.



Stel het apparaat niet bloot aan regen.

Voorkom onbedoeld inschakelen

Draag de machine niet met uw vingers aan de aan/uitschakelaar. Wees ervan verzekerd dat de machine is uitgeschakeld voordat u de stekker in het stopcontact steekt.

Misbruik het snoer niet

Draag de machine nooit aan het snoer. Trek niet aan het snoer om de stekker uit het stopcontact te verwijderen. Houd het snoer uit de buurt van warmtebronnen, olie en scherpe randen.

Berg de machine veilig op

Indien niet in gebruik, dienen machines te worden opgeborgen in een droge, afsluitbare of hoge plaats, buiten bereik van kinderen.

Onderhoud de machine met zorg

Houd snijgereedschappen scherp en schoon om beter en veiliger te kunnen werken. Houdt u aan de instructies met betrekking tot het onderhoud en het vervangen van accessoires. Houd de handgrepen en schakelaars droog en vrij van olie en vet.

Reparaties

Deze machine voldoet aan de geldende veiligheidseisen. Reparaties mogen uitsluitend worden uitgevoerd door bevoegde vakmensen en met behulp van originele reserveonderdelen; anders kan er een aanzienlijk gevaar voor de gebruiker ontstaan.

Elektrische veiligheid



Deze machine is dubbel geïsoleerd; een aardaansluiting is daarom niet noodzakelijk. Controleer altijd of uw netspanning overeenkomt met de waarde op het typeplaatje.

Aanvullende veiligheidsinstructies voor strimmers

De machine is voorzien van de volgende pictogrammen:



Lees de handleiding voordat u met de machine gaat werken.



Draag een veiligheidsbril als u deze machine bedient.

- ◆ Zorg dat u bekend bent met de bedieningsonderdelen en het juiste gebruik van de machine.
- ◆ Gebruik de machine alleen bij daglicht of goede kunstmatige verlichting.
- ◆ Controleer voor gebruik het elektriciteits snoer en de verlengsnoer op beschadiging, veroudering en slijtage. Indien een snoer tijdens gebruik beschadigd raakt, verwijdt u het netsnoer onmiddellijk uit het stopcontact. **RAAK HET SNOER NIET AAN, VOORDAT DE STROOM IS UITGESCHAKELD.**
- ◆ Gebruik de machine niet als de snoeren beschadigd of versleten zijn.
- ◆ Draag stevige schoenen of laarzen om uw voeten te beschermen.
- ◆ Draag een lange broek om uw benen te beschermen.
- ◆ Controleer voordat u de machine in gebruik neemt of er geen stokjes, steentjes, draad en andere obstakels op het te bewerken oppervlak liggen.
- ◆ Gebruik de machine alleen in rechtopstaande positie, met het snijdraad in de buurt van de grond. Schakel de machine nooit in een andere positie in.
- ◆ Beweeg langzaam wanneer u de machine gebruikt. Houd er rekening mee dat pas gemaaid gras vochtig en glad is.
- ◆ Werk niet op steile hellingen. Bewerk taluds in stroken van links naar rechts, niet van boven naar beneden.
- ◆ Steek nooit grindpaden of -wegen over terwijl de machine is ingeschakeld.
- ◆ Raak nooit de snijdraad aan terwijl de machine is ingeschakeld.
- ◆ Zet de machine niet neer voordat de snijdraad volledig tot stilstand is gekomen.
- ◆ Gebruik uitsluitend het geschikte type snijdraad. Gebruik nooit snijdraad van metaal of vislijn.
- ◆ Voorkom aanraking van het snijmes.
- ◆ Zorg dat het netsnoer uit de buurt van het snijdraad wordt gehouden. Zorg dat u altijd weet waar het snoer zich bevindt.
- ◆ Houd altijd en handen en voeten uit de buurt van de snijdraad, vooral bij het inschakelen van de motor.
- ◆ **Waarschuwing!** Het snijdraad van metaal draait nog door terwijl de machine is uitgeschakeld.
- ◆ Gebruik de machine nooit met beschadigde beschermkappen of zonder dat beschermkappen zijn aangebracht.
- ◆ Zorg er altijd voor dat de ventilatieopeningen vrij zijn van afval.

Onderdelen

Al naar gelang de uitvoering beschikt deze machine over de volgende onderdelen.

1. Aan/uit-schakelaar
2. Handgreep
3. Netsnoerklem
4. Netaansluiting
5. Extra handgreep
6. Buis
7. Opberghaken netsnoer
8. Instelknop
9. Beschermkap
10. Snijmes
11. Snijdraad
12. Spoelbehuizing
13. Kantengeleider
14. Kop

Montage

Waarschuwing! Zorg vóór aanvang van de montage dat de machine is uitgeschakeld en de netstekker van het lichtnet is losgekoppeld.

Bevestigen van de buis op de kop (fig. A)

- ◆ Breng de rechthoekige lip van de buis (6) in lijn met de uitsparing in de kop (14).
- ◆ Steek de buis in de kop en duw hem totdat hij op zijn plaats klikt.

Bevestigen van de handgreep op de buis (fig. B)

- ◆ Breng de vierkante lip van de buis (6) in lijn met de uitsparing in de handgreep (2).
- ◆ Steek de buis in de handgreep en duw hem totdat hij op zijn plaats klikt.

Aanbrengen van de beschermkap (fig. C)

- ◆ Verwijder de schroef (15) uit de kop.
- ◆ Plaats het scherm op de machine zoals afgebeeld.
- ◆ Duw de beschermkap (9) stevig aan totdat hij op zijn plaats klikt.
- ◆ Bevestig de beschermkap met de schroef.

Waarschuwing! Gebruik de machine nooit zonder dat de beschermkap naar behoren is aangebracht.

Losmaken van het snijdraad

Voor transport wordt het snijdraad aan de spoelbehuizing vastgeplakt.

- ◆ Verwijder de tape waarmee het snijdraad (11) aan de spoelbehuizing (12) is vastgeplakt.

Aansluiten van de machine op het elektriciteitsnet (fig. D)

- ◆ Sluit een geschikt verlengsnoer aan op de netaansluiting (4).
- ◆ Haal het snoer door de trekontlasting (3).
- ◆ Steek de stekker in een stopcontact.

Voor apparaten met aangebracht snoer: Zorg dat het snoer door de trekontlasting is gehaald voordat de stekker in het stopcontact wordt gestoken.

Waarschuwing! Het verlengsnoer dient geschikt te zijn voor gebruik buitenshuis.

Gebruik

Waarschuwing! Laat de machine op haar eigen tempo werken. Niet overbelasten.

Instellen van de machine voor strimmen of graskantsnijden (fig. E - G)

De machine kan worden gebruikt voor strimmen zoals afgebeeld in fig. F, of voor graskantsnijden om overhangend gras langs graskanten en bloembedden te strimmen zoals afgebeeld in fig. G.

Strimmen (fig. E & F)

Voor strimmen staat de strimkop in de stand zoals afgebeeld in fig. B. Indien dit niet het geval is:

- ◆ Druk de instelknop in (8).
- ◆ Verdraai de kop (14), terwijl u de instelknop loslaat.
- ◆ Zodra de kop in positie is, zal de knop vastklikken.

Opmerking: De buis kan slechts in één richting draaien.

Graskantsnijden (fig. E & G)

Voor graskantsnijden staat de strimkop in de stand zoals afgebeeld in fig. G. Indien dit niet het geval is:

- ◆ Druk de instelknop in (8).
- ◆ Verdraai de kop (14), terwijl u de instelknop loslaat.
- ◆ Zodra de kop in positie is, zal de knop vastklikken.

Opmerking: De buis kan slechts in één richting draaien.

Aan- en uitschakelen

- ◆ Om de machine in te schakelen, knijpt u de trekkerhendel (1) in.
- ◆ Om de machine uit te schakelen, laat u de trekkerhendel los.

Waarschuwing! Probeer nooit om de trekkerhendel in de ingeschakelde stand te vergrendelen.

Tips voor optimaal gebruik

Algemeen

- ◆ Voor een optimaal resultaat kunt u het beste alleen droog gras bewerken.

Strimmen

- ◆ Houd de machine vast zoals afgebeeld in fig. F.
- ◆ Zwaai de strimmer langzaam heen en weer.

- ◆ Ga bij het bewerken van lang gras laag voor laag te werk vanaf de bovenkant. Neem kleine stroken.
- ◆ Houd de machine uit de buurt van harde voorwerpen en fijne beplanting.
- ◆ Verminder de belasting als de machine langzamer begint te draaien.

Graskantsnijden

De beste resultaten worden bereikt op kanten die dieper zijn dan 50 mm.

- ◆ Gebruik de machine niet voor het maken van kanten.
- ◆ Gebruik een spade om kanten te maken.
- ◆ Voer de machine langs de graskant zoals afgebeeld in fig. G.
- ◆ Houd de machine een beetje schuin om een nauwkeuriger kant te snijden.

Onderhoud

Dit gereedschap is ontworpen om gedurende langere periode te functioneren met een minimum aan onderhoud. Voortdurend tevreden gebruik is afhankelijk van correct onderhoud en regelmatig schoonmaken.

Waarschuwing! Zorg vóór aanvang van onderhoudswerkzaamheden dat de machine is uitgeschakeld en de netstekker van het lichtnet is losgekoppeld.

- ◆ Reinig regelmatig de ventilatieopeningen van uw machine met een zachte borstel of een droge doek.
- ◆ Reinig regelmatig het snijdraad en de spoel met een zachte borstel of een droge doek.
- ◆ Gebruik regelmatig een botte krabber om gras en vuil uit de beschermkap te verwijderen.

Aanbrengen van een nieuwe draadspoel (fig. H - J)

Spoel met enkele snijdraad (fig. H)

Vervangende draadspoelen zijn verkrijgbaar bij uw Black & Decker-dealer (catalogusnr. A6481).

- ◆ Houd de lippen (16) ingedrukt en verwijder het spoeldeksel (17) van de behuizing (12).
- ◆ Verwijder de lege spoel (18) uit de behuizing.
- ◆ Verwijder vuil en gras uit het spoeldeksel en de behuizing.
- ◆ Neem de nieuwe spoel en rol ca. 9 cm snijdraad af.
- ◆ Voer het snijdraad door het draadgat (19).
- ◆ Druk de spoel op de aandrijfas (20) en draai hem een beetje totdat hij vastzit. Zorg dat het snijdraad niet onder de spoel geklemd zit en dat 9 cm snijdraad uit de behuizing steekt.
- ◆ Houd de lippen op de draadspoel voor de gaten in de behuizing.
- ◆ Druk het deksel op de behuizing totdat het netjes op zijn plaats klikt.

Waarschuwing! Knip het snijdraad af als het verder dan het snijmes (10) uitsteekt zodat het draad het mes niet raakt.

Spoel met dubbele snijdraad (fig. I & J)

Vervangende draadspoelen zijn verkrijgbaar bij uw Black & Decker-dealer (catalogusnr. A6441). Complete cassettes met een draadspoel zijn eveneens verkrijgbaar (catalogusnr. A6488).

- ◆ Houd de lippen (21) ingedrukt en verwijder het spoeldeksel (22) van de behuizing (12).
- ◆ Verwijder de lege spoel (23) uit het spoeldeksel.
- ◆ Verwijder vuil en gras uit het spoeldeksel en de behuizing.
- ◆ Neem de nieuwe spoel en druk hem op de as in het spoeldeksel. Draai de spoel een beetje totdat hij vastzit.
- ◆ Haal het uiteinde van een van de snijdraden los en voer het draad door een van de ogen (24). Het draad dient ca. 9 cm uit het spoeldeksel te steken.
- ◆ Haal het uiteinde van de andere snijdraad los en voer het draad door het andere oog. Het draad dient ca. 9 cm uit het spoeldeksel te steken.
- ◆ Houd de lippen (21) op de draadspoel voor de uitsnijdingen (25) in de behuizing.
- ◆ Druk het deksel op de behuizing totdat het netjes op zijn plaats klikt.

Waarschuwing! Knip het snijdraad af als het verder dan het snijmes (10) uitsteekt zodat het draad het mes niet raakt.

Winden van nieuwe snijdraad op een lege spoel (fig. K - O)

U kunt nieuwe snijdraad op een lege spoel winden.

Spoel met enkele snijdraad (fig. K & L)

Vervangende snijdraad is verkrijgbaar bij uw Black & Decker-dealer (catalogusnr. A6170 (25 m) & A6171 (40 m)).

- ◆ Verwijder de lege spoel uit de machine zoals hierboven beschreven.
- ◆ Verwijder het oude snijdraad uit de spoel.
- ◆ Voer 2 cm snijdraad in een van de gaten (26) in de spoel zoals afgebeeld.
- ◆ Buig het snijdraad om en veranker het in de L-vormige sleuf (27).
- ◆ Wind het snijdraad op de spoel in de richting van de pijl (28). Zorg dat de draad netjes in lagen op de spoel wordt gewonden. Niet kriskras opwinden.
- ◆ Knip het snijdraad door zodra het opgewonden draad tot de uitsparingen (29) komt. Laat de draad vanaf de spoel ca. 9 cm uitsteken en houd een vinger op de draad om hem op zijn plaats te houden.
- ◆ Ga verder te werk zoals hierboven beschreven om de spoel op de machine aan te brengen.

Waarschuwing! Gebruik uitsluitend het geschikte type Black & Decker-snijdraad.

Spoel met dubbele snijdraad (fig. M - O)

Vervangende snijdraad is verkrijgbaar bij uw Black & Decker-dealer (catalogusnr. A6440).

- ◆ Verwijder de lege spoel uit de machine zoals hierboven beschreven.
- ◆ Verwijder het oude snijdraad uit de spoel.
- ◆ Wind het nieuwe draad eerst op het bovenste gedeelte van de spoel:
 - Voer 2 cm snijdraad in een van de gaten (30) in het bovenste gedeelte van de spoel zoals afgebeeld.
 - Wind het snijdraad op de spoel in de richting van de pijl (31). Zorg dat de draad netjes in lagen op de spoel wordt gewonden. Niet kriskras opwinden.
 - Knip het snijdraad door zodra het opgewonden draad tot de uitsparingen (32) komt.
 - Stop het draad tijdelijk in de sleuven (33) aan één kant van de spoel zoals afgebeeld.
- ◆ Herhaal de bovenstaande procedure voor het tweede snijdraad op het onderste gedeelte van de spoel. Stop het draad in de ongebruikte sleuven (33).
- ◆ Ga verder te werk zoals hierboven beschreven om de spoel op de machine aan te brengen. Vergeet niet om het snijdraad uit de sleuven (33) te verwijderen.

Waarschuwing! Gebruik uitsluitend het geschikte type Black & Decker-snijdraad. Zorg dat er op beide gedeeltes van de spoel snijdraad zit.

Storingen verhelpen

Indien uw machine niet naar behoren functioneert, volg dan onderstaande instructies. Als hierdoor het probleem niet wordt opgelost, kunt u contact opnemen met uw plaatselijke Black & Decker service-centrum.

Waarschuwing! Neem voor de werkzaamheden de netstekker uit het stopcontact.

Machine draait langzaam

- ◆ Controleer of de behuizing van de spoel vrij kan ronddraaien. Maak indien nodig de behuizing schoon.
- ◆ Controleer of het snijdraad niet meer dan 9 cm uitsteekt vanaf de behuizing van de spoel. Knip indien dit wel het geval is de draad af zodat hij net het snijmes raakt.

Automatische draadvoeding werkt niet

- ◆ Houd de lippen ingedrukt en verwijder het spoeldekseel van de behuizing.
- ◆ Trek aan het snijdraad totdat het 9 cm uitsteekt vanaf de behuizing. Plaats een nieuwe spoel met snijdraad (zie bovenstaande instructies) indien er onvoldoende snijdraad op de spoel is overgebleven.
- ◆ Houd de lippen op de draadspoel voor de uitsnijdingen in de behuizing.

- ◆ Druk het deksel op de behuizing totdat het netjes op zijn plaats klikt.
- ◆ Knip de snijdraad af als hij verder dan het snijmes uitsteekt zodat de draad het mes niet raakt.

Indien de automatische draadvoeding nog steeds niet werkt of de spoel vastzit, probeer dan de volgende suggesties:

- ◆ Reinig zorgvuldig het deksel en de behuizing van de spoel.
- ◆ Verwijder de spoel en controleer of de hefboom vrij kan bewegen.
- ◆ Verwijder de spoel en wikkel de snijdraad af, wind het daarna weer netjes op de spoel zoals hierboven beschreven. Plaats de spoel terug volgens instructies.

Milieu



Gescheiden inzameling. Dit product mag niet met het gewone huishoudelijke afval worden weggegooid.

Wanneer uw oude Black & Deckerproduct aan vervanging toe is of het u niet langer van dienst kan zijn, gooi het dan niet bij het huishoudelijk afval. Zorg ervoor dat het product gescheiden kan worden ingezameld.



Door gebruikte producten en verpakkingen gescheiden in te zamelen, worden de materialen gerecycled en opnieuw gebruikt. Hergebruik van gerecyclede materialen voorkomt milieuvuiling en vermindert de vraag naar grondstoffen.

Inzamelpunten voor gescheiden inzameling van elektrische huishoudproducten bij gemeentelijke vuilnisbergen of bij de verkoper waar u een nieuw product koopt, kunnen aan plaatselijke voorschriften gebonden zijn.

Black & Decker biedt de mogelijkheid tot inzamelen en recyclen van afgedankte Black & Decker producten. Om gebruik van deze service te maken, dient u het product aan een van onze servicecentra te sturen, die voor ons de inzameling verzorgen.

U kunt het adres van het dichtstbijzijnde servicecentrum opvragen via de adressen op de achterzijde van deze handleiding. U kunt ook een lijst van onze servicecentra en meer informatie m.b.t. onze klantenservice vinden op het volgende Internet-adres: www.2helpU.com

Technische gegevens

		GL301	GL315	GL350
Spanning	V_{AC}	230	230	230
Opgenomen vermogen	W	300	320	350
Onbelast toerental	min^{-1}	10.000	10.000	10.000
Gewicht	kg	2,2	2,2	2,2

EG-conformiteitsverklaring

GL301/GL315/GL350

Black & Decker verklaart dat deze producten in overeenstemming zijn met:

98/37/EEG, 89/336/EEG, 73/23/EEG, EN 60335, EN 55014, EN 61000

2000/14/EEG, Gras strimmer, L <50, Bijlage VIII, Nr. 499

SNCH, L-5230 Sandweiler, Luxembourg

Niveau van de geluidsdruk, gemeten volgens EN ISO 3744:

L_{pA} (geluidsdruk) 81 dB(A), L_{WA} (geluidsvermogen) 95 dB(A),

L_{WA} (gegarandeerd) 96 dB(A)

Trilling op hand/arm volgens EN 786: 3,86 m/s^2



Kevin Hewitt

Director of Consumer Engineering

Spennymoor, County Durham DL16 6JG,

Verenigd Koninkrijk

1-8-2005

Ontwerpnr voor Europese Gemeenschap: 388756

Garantie

Black & Decker heeft vertrouwen in zijn producten en biedt een uitstekende garantie. Deze garantiebepalingen vormen een aanvulling op uw wettelijke rechten en beperken deze niet. De garantie geldt in de lidstaten van de Europese Unie en de Europese Vrijhandelsassociatie.

Mocht uw Black & Decker product binnen 24 maanden na datum van aankoop defect raken tengevolge van materiaal- of constructiefouten, dan garanderen wij de kosteloze vervanging van defecte onderdelen, de reparatie van het product of de vervanging van het product, tenzij:

- ◆ Het product is gebruikt voor handelsdoeleinden, professionele toepassingen of verhuurdoeleinden;
- ◆ Het product onoordeelkundig is gebruikt;
- ◆ Het product is beschadigd door invloeden van buitenaf of door een ongeval;
- ◆ Reparaties zijn uitgevoerd door anderen dan onze servicecentra of Black & Decker personeel.

Om een beroep op de garantie te doen, dient u een aankoopbewijs te overhandigen aan de verkoper of een van onze servicecentra. U kunt het adres van het dichtstbijzijnde servicecentrum opvragen via de adressen op de achterzijde van deze handleiding. U kunt ook een lijst van onze servicecentra en meer informatie m.b.t. onze klantenservice vinden op het volgende Internet-adres: **www.2helpU.com**

Meld u aan op onze website **www.blackanddecker.nl** om te worden geïnformeerd over nieuwe producten en speciale aanbiedingen. Verdere informatie over het merk Black & Decker en onze producten vindt u op **www.blackanddecker.nl**

Finalidad

Su recortabordes Black & Decker se ha diseñado para recortar y rematar bordes de césped y para cortar el césped en espacios reducidos.

Esta herramienta está pensada únicamente para uso doméstico.

Instrucciones de seguridad

- ◆ **¡Atención!** Cuando use herramientas eléctricas, debe seguir siempre las precauciones de seguridad básicas, incluidas las siguientes, a fin de reducir el riesgo de incendios, posibilidad de electrocutarse, lesiones personales y daños materiales.
- ◆ Lea completamente este manual antes de utilizar la herramienta.
- ◆ Mantenga a mano este manual para consultas posteriores.
- ◆ Desenchufe la herramienta de la red antes de realizar cualquier ajuste, reparación o mantenimiento.

Mantenga limpia el área de trabajo

Un área o un banco de trabajo en desorden aumentan el riesgo de accidentes.

Tenga en cuenta el entorno del área de trabajo

No exponga herramientas a la humedad. Procure que el área de trabajo esté bien iluminada. No utilice la herramienta donde exista riesgo de incendio o explosión, p. ej. en la proximidad de líquidos o gases inflamables.

¡Mantenga alejados a los niños!

No permita que niños, otras personas o animales se acerquen al área de trabajo ni toquen la herramienta o el cable de corriente.

Vista ropa de trabajo apropiada

No lleve vestidos anchos ni joyas. Estos podrían ser atrapados por piezas en movimiento. Para trabajos en el exterior, se recomienda llevar guantes de goma y calzado de suela antideslizante. Si tiene el pelo largo, téngalo recogido y cubierto.

Protección personal

Lleve gafas de protección. Utilice una mascarilla si el trabajo ejecutado produce polvo u otras partículas volantes. Lleve protectores para los oídos.

Protéjase contra la posibilidad de electrocutarse

Evite que su cuerpo haga contacto con objetos conectados a tierra (p. ej. tuberías, radiadores, frigoríficos y electrodomésticos en general). Se puede incrementar la seguridad eléctrica utilizando disyuntores de alta sensibilidad (30 mA / 30 mS) para detectar corrientes de fuga.

No alargue demasiado su radio de acción

Mantenga un apoyo firme sobre el suelo y conserve el equilibrio en todo momento.

Esté siempre alerta

Mire lo que está haciendo. Use el sentido común. No maneje la herramienta cuando esté cansado.

Sujete bien la pieza de trabajo

Utilice abrazaderas o un torno para sujetar la pieza de trabajo. Es más seguro que sujetarla con la mano y le permite utilizar ambas manos para manejar la herramienta.

Conecte los accesorios para la extracción de polvo.

Si se suministran adaptadores para la conexión de accesorios extractores y para el almacenamiento del polvo, asegúrese de que se conectan y utilizan adecuadamente.

Retire las llaves u otros utensilios fuera del área de trabajo

Antes de poner la herramienta en marcha, asegúrese de que las llaves y utensilios de reglaje hayan sido retirados.

Cables alargadores

Revise el cable alargador antes de utilizarlo por si presenta desperfectos. Al utilizar las herramientas en exteriores, utilice exclusivamente aquellos cables prolongadores diseñados para estas condiciones. Puede utilizarse un cable alargador Black & Decker de hasta 30 m sin pérdida de potencia.

Utilice la herramienta adecuada

En este manual se explica para qué uso está destinada la herramienta. No utilice herramientas o dispositivos acoplables de potencia demasiado débil para ejecutar trabajos pesados. La herramienta funcionará mejor y con mayor seguridad al ser utilizada de acuerdo con sus características técnicas. No fuerce la herramienta. Utilice las herramientas para su uso previsto únicamente; por ejemplo, no use una sierra circular para cortar ramas o troncos de árbol.

¡Atencion! El uso de otros accesorios, adaptadores, o la propia utilización de la herramienta en cualquier forma diferente de las recomendadas en este manual de instrucciones puede constituir un riesgo de lesiones a las personas.

Compruebe que no haya piezas averiadas

Antes de usarla, compruebe cuidadosamente que la herramienta y el cable de corriente no presenten desperfectos. Compruebe la posible existencia de piezas móviles mal alineadas o atascadas, la rotura de piezas, el posible daño de protectores e interruptores y cualquier otro aspecto que pueda afectar al funcionamiento de la herramienta.

Asegúrese de que la herramienta puede funcionar adecuadamente y cumplir con el cometido para el que ha sido diseñada. No use la herramienta si hay alguna pieza defectuosa o averiada. No utilice la herramienta si no es posible apagar y encender el interruptor. Encargue al servicio técnico autorizado que repare o sustituya las piezas defectuosas o averiadas. Jamás intente repararla usted mismo.

Desenchufe la herramienta

Desenchufe la herramienta cuando no esté usando la herramienta, antes de sustituir piezas, accesorios o acoplamientos, y antes de efectuar revisiones.

Evite un arranque involuntario

Procure no tocar el conmutador de encendido/apagado mientras transporta la herramienta. Asegúrese de que la herramienta esté apagada cuando la enchufe.

Cuide el cable de alimentación

No arrastre la herramienta tirando del cable, ni tire del cable para desenchufarlo. Proteja el cable del calor, del aceite y de las aristas vivas.

Guarde las herramientas que no utiliza

Cuando no las utilice, las herramientas deben guardarse en un lugar seco y cerrado o elevado, fuera del alcance de los niños.

Mantenga las herramientas asiduamente

Mantenga sus herramientas afiladas y limpias para trabajar mejor y más seguro. Siga las instrucciones para el mantenimiento y la sustitución de accesorios. Mantenga los mandos y conmutadores secos, limpios y libres de aceite y grasa.

Reparaciones

Esta herramienta cumple las normas de seguridad aplicables. Las reparaciones deben llevarse a cabo por personal cualificado, usando piezas de recambio originales; en caso contrario, podría ocasionarse un considerable riesgo para el usuario.

Seguridad eléctrica



La herramienta lleva un doble aislamiento; por lo tanto no requiere una toma a tierra. Compruebe siempre que la tensión de la red corresponda con el valor indicado en la placa de datos de la herramienta.

Instrucciones de seguridad adicionales para recortabordes

Encontrará los siguientes símbolos de advertencia en la herramienta:



Antes de iniciar las operaciones, lea el manual.



Lleve gafas de cristal inastillable o protectoras cuando utilice esta herramienta.



Mantenga a las personas y animales a una distancia mínima de 6 m del área de corte.



No exponga la herramienta a la lluvia o a una humedad elevada.

- ◆ Familiarícese con los mandos y el uso adecuado de la herramienta.
- ◆ Utilice la herramienta sólo a la luz del día o con una buena iluminación artificial.
- ◆ Antes del uso, compruebe que el cable eléctrico y el alargador no presenten señales de daños, envejecimiento o desgaste. Si un cable resulta dañado durante el uso, desconecte éste de la red eléctrica inmediatamente. **NO TOQUE EL CABLE ANTES DE DESCONECTAR LA CORRIENTE.**
- ◆ No use la herramienta si los cables están desgastados o dañados.
- ◆ Lleve zapatos resistentes o botas para protegerse los pies.
- ◆ Lleve pantalones largos para protegerse las piernas.
- ◆ Antes de usar la herramienta, compruebe que el trayecto de corte está libre de palos, piedras, cables o cualquier otro obstáculo.
- ◆ Use la herramienta únicamente en posición vertical, con el hilo de corte próximo al suelo. Nunca encienda la herramienta en ninguna otra posición.
- ◆ Muévase lentamente mientras use la herramienta. Tenga en cuenta que el césped recién cortado está húmedo y resbaladizo.
- ◆ No trabaje en pendientes empinadas. Trabaje a lo ancho en las pendientes, no hacia arriba y abajo.
- ◆ No cruce nunca caminos de grava o carreteras con la herramienta funcionando.
- ◆ No toque nunca el hilo de corte mientras la herramienta esté funcionando.
- ◆ No suelte la herramienta hasta que el hilo de corte se haya parado totalmente.
- ◆ Use únicamente el tipo adecuado de hilo de corte. Nunca use hilos de corte metálicos ni sedal de pesca.
- ◆ Tenga cuidado de no tocar la hoja ribeteadora.
- ◆ Tenga cuidado para mantener el cable de red alejado del hilo de corte. No pierda de vista el cable en ningún momento.

- ◆ Mantenga en todo momento las manos y los pies alejados del hilo de corte, especialmente al poner en marcha el motor.
- ◆ **¡Atención!** Los elementos de corte continúan girando después de desconectar la herramienta.
- ◆ Nunca accione la herramienta con las protecciones dañadas o sin que estén colocadas en su posición.
- ◆ Compruebe siempre que las ranuras de ventilación estén libres de residuos.

Características

Esta herramienta incluye alguna o todas las características siguientes.

1. Conmutador ON/OFF (encendido/apagado)
2. Empuñadura
3. Sujeción del cable
4. Toma de corriente
5. Mango secundario
6. Tubo
7. Ganchos de almacenamiento de cable
8. Botón de ajuste
9. Protección
10. Hoja ribeteadora
11. Hilo de corte
12. Alojamiento de la bobina
13. Guía para ribetear
14. Cabezal

Montaje

¡Atención! Antes de proceder al montaje, compruebe que la herramienta está apagada y desenchufada.

Instalación del tubo en el cabezal (fig. A)

- ◆ Alinee la pestaña rectangular del tubo (6) con la posición en el cabezal (14).
- ◆ Introduzca el tubo en el cabezal y empuje hasta que encaje en su posición.

Instalación de la empuñadura en el tubo (fig. B)

- ◆ Alinee la pestaña cuadrada del tubo (6) con la posición en la empuñadura (2).
- ◆ Introduzca el tubo en la empuñadura y empuje hasta que encaje en su posición.

Montaje de la protección (fig. C)

- ◆ Retire el tornillo (15) del cabezal.
- ◆ Coloque la protección en la herramienta tal y como se indica.
- ◆ Presione firmemente sobre la protección (9) hasta que encaje en su posición.
- ◆ Sujete la protección con el tornillo.

¡Atención! No utilice nunca la herramienta sin el protector debidamente montado en su sitio.

Desbloqueo del hilo de corte

Durante su transporte, el hilo de corte está adherido al alojamiento de la bobina.

- ◆ Retire la cinta que sujeta el hilo de corte (11) al alojamiento de la bobina (12).

Conexión de la herramienta a la red eléctrica (fig. D)

- ◆ Conecte el enchufe hembra de un cable alargador adecuado a la toma de corriente (4).
- ◆ Enrolle el cable por la sujeción de cable (3).
- ◆ Inserte el enchufe eléctrico en una toma de red.

Para conexiones en unidades con cable: Asegúrese de que el cable se ha enrollado por la sujeción de cable antes de conectar el enchufe a la toma de red.

¡Atención! El cable alargador debe ser adecuado para uso en exteriores.

Uso

¡Atención! Deje que la herramienta funcione a su ritmo. No lo sobrecargue.

Ajuste de la herramienta en modo de recortabordes o ribeteado (fig. E - G)

La herramienta puede usarse en modo de recortabordes como se indica en la fig. F o en modo de ribeteado para recortar el césped que sobresale de bordes y parterres como se indica en la fig. G.

Modo de recortabordes (fig. E & F)

Para recortar, el cabezal del recortabordes debe estar en la posición indicada en la fig. F. Si no lo está:

- ◆ Presione el botón de ajuste (8).
- ◆ Gire el cabezal (14) mientras suelta el botón.
- ◆ Cuando el cabezal esté en posición, el botón se bloqueará en su posición.

Nota: El tubo girará únicamente en una dirección.

Modo de ribeteado (fig. E & G)

Para ribetear, el cabezal del recortabordes debe estar en la posición indicada en la fig. G. Si no lo está:

- ◆ Presione el botón de ajuste (8).
- ◆ Gire el cabezal (14) mientras suelta el botón.
- ◆ Cuando el cabezal esté en posición, el botón se bloqueará en su posición.

Nota: El tubo girará únicamente en una dirección.

Encendido y apagado

- ◆ Para encender la herramienta, presione la palanca de gatillo (1).
- ◆ Para apagar la herramienta, suelte la palanca de gatillo.

¡Atención! No intente nunca bloquear la palanca de gatillo en la posición de encendido.

Consejos para un uso óptimo

Generalidades

- ◆ Para lograr un corte óptimo, corte únicamente el césped que esté seco.

Recorte de bordes

- ◆ Sujete la herramienta como se indica en la fig. F.
- ◆ Bascule suavemente el recortabordes de un lado a otro.
- ◆ Cuando corte un césped alto, realice el trabajo por etapas empezando por la parte superior. Haga cortes pequeños.
- ◆ Mantenga la herramienta alejada de objetos duros y plantas delicadas.
- ◆ Si la herramienta empieza a funcionar lentamente, reduzca la carga.

Ribeteado

Los mejores resultados de corte se consiguen en bordes de profundidad superior a 50 mm.

- ◆ No use la herramienta para crear bordes. Para crear bordes, use una azada ribeteadora.
- ◆ Guíe la herramienta como se indica en la fig. G.
- ◆ Para un corte más apurado, incline ligeramente la herramienta.

Mantenimiento

La herramienta ha sido diseñada para que funcione durante un largo período de tiempo con un mantenimiento mínimo. El funcionamiento satisfactorio continuado depende de un cuidado apropiado y una limpieza periódica de la herramienta.

¡Atención! Antes de realizar cualquier tipo de mantenimiento, apague y desenchufe la herramienta.

- ◆ Limpie periódicamente las ranuras de ventilación de la herramienta con un cepillo suave o un paño seco.
- ◆ Limpie periódicamente el hilo de corte y la bobina con un cepillo suave o un paño seco.
- ◆ Utilice periódicamente un raspador romo para eliminar la hierba y la suciedad existente debajo de la protección.

Colocación de una nueva bobina de hilo de corte (fig. H - J) Bobina con hilo de corte sencillo (fig. H)

Su distribuidor Black & Decker dispone de repuestos de bobinas de hilo de corte (número de catálogo A6481).

- ◆ Mantenga presionadas las pestañas (16) y retire la tapa de la bobina (17) del alojamiento (12).
- ◆ Retire la bobina vacía (18) de su alojamiento.
- ◆ Retire la suciedad o residuos de la tapa de la bobina y de su alojamiento.
- ◆ Tome la nueva bobina y desenrolle unos 9 cm de hilo de corte.
- ◆ Introduzca el hilo de corte a través del orificio (19).
- ◆ Introduzca la bobina en el eje de accionamiento (20) y gírela ligeramente hasta que quede asentada. Asegúrese de que el hilo de corte no quede atrapado bajo la bobina y de que sobresalgan unos 9 cm de hilo de corte del alojamiento.
- ◆ Alinee las pestañas de la tapa de la bobina con los orificios del alojamiento.
- ◆ Ponga la tapa sobre el alojamiento hasta que encaje firmemente en su posición.

¡Atención! Si el hilo de corte sobresale más allá de la hoja ribeteadora (10), recórtelo de forma tal que alcance justo la hoja.

Bobina con hilo de corte doble (fig. I & J)

Su distribuidor Black & Decker dispone de repuestos de bobinas de hilo de corte (número de catálogo A6441). También dispone de cartuchos completos con una bobina de hilo de corte (número de catálogo A6488).

- ◆ Mantenga presionadas las pestañas (21) y retire la tapa de la bobina (22) del alojamiento (12).
- ◆ Retire la bobina vacía (23) de la tapa de la bobina.
- ◆ Retire la suciedad o residuos de la tapa de la bobina y de su alojamiento.
- ◆ Tome la bobina nueva e introdúzcala en el asiento de la tapa de la bobina. Gire ligeramente la bobina hasta que se asiente.
- ◆ Suelte el extremo de uno de los hilos de corte e introdúzcalo por uno de los orificios (24). El hilo debería asomar unos 9 cm de la tapa de la bobina.
- ◆ Suelte el extremo del otro hilo de corte e introdúzcalo en el otro orificio. El hilo debería asomar unos 9 cm de la tapa de la bobina.
- ◆ Alinee las pestañas (21) de la tapa de la bobina con los cortes (25) del alojamiento.
- ◆ Ponga la tapa sobre el alojamiento hasta que encaje firmemente en su posición.

¡Atención! Si los hilos de corte sobresalen más allá de la hoja de corte (10), córtelos de forma que lleguen justo hasta la hoja de corte.

Bobinado de un nuevo hilo de corte en una bobina vacía (fig. K - O)

Se puede enrollar hilo de corte nuevo en una bobina vacía.

Bobina con hilo de corte sencillo (fig. K & L)

Encontrará packs de repuesto de hilo de corte en su distribuidor Black & Decker (número de catálogo A6170 (25 m) & A6171 (40 m)).

- ◆ Retire la bobina vacía de la herramienta como se ha descrito anteriormente.
- ◆ Extraiga el hilo de corte restante de la bobina de hilo.
- ◆ Introduzca unos 2 cm de hilo de corte en uno de los orificios (26) de la bobina como se indica.
- ◆ Doble el hilo de corte y fíjelo en la ranura en forma de L (27).
- ◆ Enrolle el hilo de corte en la bobina de hilo en la dirección de la flecha (28). Asegúrese de enrollar el hilo de corte cuidadosamente, formando capas. Evite que el hilo de corte se cruce consigo mismo en una capa al ser enrollado en la bobina.
- ◆ Cuando el hilo de corte enrollado alcance las ranuras (29), córtelo. Deje que el hilo de corte sobresalga aprox. unos 9 cm de la bobina y sujételo con un dedo para mantenerlo en su sitio.
- ◆ Proceda como se ha descrito anteriormente para colocar la bobina en la herramienta.

¡Atención! Use únicamente el tipo adecuado de hilo de corte Black & Decker.

Bobina con hilo de corte doble (fig. M - O)

Encontrará packs de repuesto de hilo de corte en su distribuidor Black & Decker (número de catálogo A6440).

- ◆ Retire la bobina vacía de la herramienta como se ha descrito anteriormente.
- ◆ Extraiga el hilo de corte restante de la bobina de hilo.
- ◆ En primer lugar, enrolle el nuevo hilo en la parte superior de la bobina:
 - Introduzca unos 2 cm de hilo de corte en una de las ranuras (30) de la sección superior de la bobina como se indica.
 - Enrolle el hilo de corte en la bobina de hilo en la dirección de la flecha (31). Asegúrese de enrollar el hilo de corte cuidadosamente, formando capas. Evite que el hilo de corte se cruce consigo mismo en una capa al ser enrollado en la bobina.
 - Cuando el hilo de corte enrollado alcance las ranuras (32), córtelo.
 - Sujete provisionalmente el hilo en las ranuras (33) situadas a uno de los lados de la bobina como se indica.
- ◆ Repita el procedimiento anterior para el segundo hilo de corte situado en la sección inferior de la bobina. Aparque

el hilo en las ranuras (33) que están sin ocupar.

- ◆ Proceda como se ha descrito anteriormente para colocar la bobina en la herramienta. No olvide soltar el hilo de corte de las ranuras de sujeción provisional (33).

¡Atención! Use únicamente el tipo adecuado de hilo de corte Black & Decker. Asegúrese de que haya hilo de corte en ambas secciones de la bobina.

Localización de averías

Si su herramienta no funciona adecuadamente, siga estas instrucciones. Si esto no resuelve el problema, póngase en contacto con el servicio de reparaciones de Black & Decker de su zona.

¡Atención! Antes de cualquier operación, desenchufe la herramienta.

La herramienta funciona lentamente

- ◆ Compruebe que el alojamiento de la bobina puede girar libremente. Límpielo con cuidado si fuera necesario.
- ◆ Compruebe que el hilo de corte no sobresalga más de 9 cm del alojamiento de la bobina. Si así fuera, corte lo que sobre para que llegue justo hasta la hoja ribeteadora.

No funciona el avance automático del hilo de corte.

- ◆ Mantenga presionadas las pestañas y retire la tapa de la bobina del alojamiento.
- ◆ Saque el hilo de corte hasta que sobresalga 9 cm del alojamiento. Si no queda suficiente hilo de corte en la bobina, instale uno nuevo como se ha indicado anteriormente.
- ◆ Alinee las pestañas de la tapa de la bobina con los cortes del alojamiento.
- ◆ Ponga la tapa sobre el alojamiento hasta que encaje firmemente en su posición.
- ◆ Si el hilo de corte sobresale más allá de la hoja ribeteadora, córtelo para que llegue justo hasta la hoja.

Si el avance automático del hilo de corte sigue sin funcionar o se ha atascado la bobina, intente las siguientes acciones:

- ◆ Limpie con cuidado la tapa y el alojamiento de la bobina.
- ◆ Retire la bobina de hilo y compruebe si la palanca se mueve libremente.
- ◆ Retire la bobina y desenrolle el hilo de corte, luego enróllelo nuevamente con cuidado como se ha descrito antes. Sustituya la bobina como se indica.

Protección del medio ambiente



Separación de desechos. Este producto no debe desecharse con la basura doméstica normal.

Si llega el momento de reemplazar su producto Black & Decker o éste ha dejado de tener utilidad para usted, no lo deseche con la basura doméstica normal. Asegúrese de que este producto se deseche por separado.



La separación de desechos de productos usados y embalajes permite que los materiales puedan reciclarse y reutilizarse. La reutilización de materiales reciclados ayuda a evitar la contaminación medioambiental y reduce la demanda de materias primas.

La normativa local puede prever la separación de desechos de productos eléctricos de uso doméstico en centros municipales de recogida de desechos o a través del distribuidor cuando adquiere un nuevo producto.

Black & Decker proporciona facilidades para la recogida y el reciclado de los productos Black & Decker que hayan llegado al final de su vida útil. Para hacer uso de este servicio, devuelva su producto a cualquier servicio técnico autorizado, que lo recogerá en nuestro nombre.

Pueden consultar la dirección de su servicio técnico más cercano poniéndose en contacto con la oficina local de Black & Decker en la dirección que se indica en este manual. Como alternativa, puede consultar en Internet la lista de servicios técnicos autorizados e información completa de nuestros servicios de posventa y contactos en la siguiente dirección:

www.2helpU.com

Características técnicas

	GL301	GL315	GL350
Voltaje	V_{AC} 230	230	230
Potencia absorbida	W 300	320	350
Velocidad sin carga	min^{-1} 10.000	10.000	10.000
Peso	kg 2,2	2,2	2,2

Declaración de conformidad CE

GL301/GL315/GL350

Black & Decker declara que estos productos cumplen las normas siguientes:

98/37/CEE, 89/336/CEE, 73/23/CEE, EN 60335, EN 55014, EN 61000

2000/14/CE, Recortadora, L <50, Anexo VIII, Nº 499
SNCH, L-5230 Sandweiler, Luxembourg

Nivel de la presión acústica, medida según EN ISO 3744:

L_{pA} (presión de sonido) 81 dB(A),

L_{WA} (potencia acústica) 95 dB(A), L_{WA} (garantizado) 96 dB(A)

Valor de la vibración ponderada en mano/brazo según

EN 786: 3,86 m/s^2

Kevin Hewitt

Director de Ingeniería del Consumidor
Spennymoor, County Durham DL16 6JG,

Reino Unido

1-8-2005

Nº de solicitud del diseño en la UE 388756

Garantía

Black & Decker confía plenamente en la calidad de sus productos y ofrece una garantía extraordinaria. Esta declaración de garantía es una añadido, y en ningún caso un perjuicio para sus derechos estatutarios. La garantía es válida dentro de los territorios de los Estados Miembros de la Unión Europea y de los de la Zona Europea de Libre Comercio.

Si un producto Black & Decker resultará defectuoso debido a materiales o mano de obra defectuosos o a la falta de conformidad, Black & Decker garantiza, dentro de los 24 meses de la fecha de compra, la sustitución de las piezas defectuosas, la reparación de los productos sujetos a un desgaste y rotura razonables o la sustitución de tales productos para garantizar al cliente el mínimo de inconvenientes, a menos que:

- ◆ El producto haya sido utilizado con propósitos comerciales, profesionales o de alquiler;
- ◆ El producto haya sido sometido a un uso inadecuado o negligente;
- ◆ El producto haya sufrido daños causados por objetos o sustancias extrañas o accidentes;
- ◆ Se hayan realizado reparaciones por parte de personas que no sean los servicios de reparación autorizados o personal de servicios de Black & Decker;

Para reclamar en garantía, será necesario que presente la prueba de compra al vendedor o al servicio técnico de reparaciones autorizado. Pueden consultar la dirección de su servicio técnico más cercano poniéndose en contacto con la oficina local de Black & Decker en la dirección que se indica en este manual. Como alternativa, se puede consultar en Internet, en la dirección siguiente, la lista de servicios técnicos autorizados e información completa de nuestros servicios de postventa y contactos:

www.2helpU.com

Visite nuestro sitio web **www.blackanddecker.com** para registrar su nuevo producto Black & Decker y mantenerse al día sobre nuestros productos y ofertas especiales. Encontrará información adicional sobre la marca Black & Decker y nuestra gama de productos en **www.blackanddecker.com**

Utilização

O aparador da Black & Decker foi projectado para aparar e acertar orlas, bem como cortar relva em espaços limitados. Esta ferramenta destina-se apenas ao doméstico.

Instruções de segurança

- ◆ **Aviso!** Ao utilizar ferramentas eléctricas, é preciso seguir sempre as precauções básicas para a segurança, incluindo as detalhadas a seguir, para diminuir os riscos de incêndio, choque eléctrico, ferimentos pessoais e danos materiais.
- ◆ Leia atentamente este manual antes de utilizar a ferramenta.
- ◆ Guarde este manual para futura consulta.
- ◆ Remova a ficha da tomada antes de efectuar qualquer ajuste, reparação ou manutenção.

Mantenha a área de trabalho arrumada

Áreas de trabalho desarrumadas podem implicar ferimentos.

Cuide do ambiente da área de trabalho

Não deve expôr ferramentas eléctricas à chuva, nem usá-las em locais húmidos ou molhados.

Mantenha a área de trabalho bem iluminada. Não utilize a ferramenta onde haja risco de fogo ou explosão, p.ex. em presença de líquidos ou gases inflamáveis.

Mantenha as crianças afastadas

Não permita que crianças, visitantes ou animais cheguem perto da área de trabalho ou toquem na ferramenta ou no cabo eléctrico.

Vista-se adequadamente

Não use roupas folgadas nem bijutaria pois podem ficar presas nas partes móveis da máquina. Quando se trabalha no exterior, aconselha-se o uso de luvas de borracha e de calçado antiderrapante. Se tiver o cabelo comprido apanhe-o ou use uma protecção.

Protecção pessoal

Utilize óculos de protecção. Utilize óculos e máscara de protecção sempre que as operações possam produzir poeiras ou partículas que voem.

Tenha cuidado com os choques eléctricos

Evite tocar em superfícies aterradas ou ligadas à terra, como por exemplo: canos, radiadores, fogões e frigoríficos. A segurança eléctrica pode ser melhorada mediante o uso de dispositivos de corrente residual (RCD) de alta sensibilidade (30 mA / 30 mS).

Não se incline demasiadamente

Mantenha-se numa posição de pé e bem equilibrada.

Mantenha-se atento

Dê atenção ao que vai fazendo. Seja cuidadoso. Não utilize ferramentas quando estiver cansado.

Fixe a peça a trabalhar

Utilize grampos ou um torno para segurar as peças de trabalho. É mais seguro e permite manter as duas mãos livres para trabalhar.

Coloque o equipamento de extracção de poeiras

Caso sejam fornecidos os dispositivos para a extracção e colecta de poeiras, assegure-se de que os mesmos estão correctamente ligados e são bem utilizados.

Retire as chaves de aperto

Verifique sempre se as chaves de aperto foram retiradas da ferramenta antes de a utilizar.

Extensões eléctricas

Antes de iniciar o uso, verifique o estado da extensão eléctrica e substitua-a se estiver danificada. Ao utilizar a ferramenta no exterior, utilize apenas extensões adequadas para este tipo de uso. Pode ser utilizado um cabo de extensão Black & Decker de 30 m.

Utilize a ferramenta correcta

Neste manual indicam-se as aplicações da ferramenta. Não force pequenas ferramentas ou acessórios para fazer o trabalho numa ferramenta forte. A ferramenta trabalhará melhor e de uma maneira mais segura se for utilizada para o efeito indicado. Não force a ferramenta. Não utilize a ferramenta para fins diferentes dos previstos. Por exemplo, não utilize as serras circulares para cortar ramos de árvore ou lenha.

Aviso! O uso de qualquer acessório ou da própria ferramenta, além do que é recomendado neste manual de instruções pode constituir um risco para a segurança do utilizador.

Verifique se há peças danificadas.

Antes de a utilizar, verifique cuidadosamente se a ferramenta e o cabo eléctrico não estão danificados. Verifique o tamanho das peças móveis e se as mesmas estão alinhadas; verifique se há alguma peça partida, se as protecções e os interruptores estão danificados, bem como quaisquer outras condições que possam afectar o funcionamento da ferramenta. Assegure-se de que a ferramenta funciona correctamente e de que está a desempenhar as funções para as quais foi projectada. Não utilize a ferramenta se houver alguma peça defeituosa.

Não utilize a ferramenta se o interruptor de ligar/desligar não estiver a funcionar. Qualquer peça defeituosa deve ser reparada ou substituída por um técnico autorizado. Nunca tente efectuar qualquer reparação por sua conta.

Desligue a ferramenta

Desligue a ferramenta quando não estiver em uso, antes de trocar qualquer peça da ferramenta, acessórios ou dispositivos e antes de a enviar para os serviços técnicos.

Evite ligar sem intenção

Não transporte a ferramenta com um dedo sobre o interruptor de ligar/desligar. Assegure-se de que a ferramenta está desligada quando for ligá-la à tomada.

Não force o cabo eléctrico

Nunca transporte a ferramenta pelo cabo ou puxe o mesmo para retirá-lo da tomada. Proteja o cabo contra o calor e evite o contacto com óleo e objectos cortantes.

Guarde as ferramentas que não estiverem a ser utilizadas.

Quando não estiver em uso, as ferramentas deverão ser armazenadas em local seco, fechado ou alto, fora do alcance das crianças.

Cuide das suas ferramentas com atenção

Mantenha as ferramentas cortantes afiadas e limpas para um melhor e mais seguro desempenho. Siga as instruções para a manutenção e a troca de acessórios. Mantenha os punhos e os interruptores secos, limpos e isentos de óleo e gordura.

Reparações

Esta ferramenta cumpre os requisitos de segurança pertinentes. As reparações devem ser realizadas somente por pessoas qualificadas e as peças de reposição devem ser originais. A não observância disso poderá resultar em perigos consideráveis para os utilizadores.

Segurança eléctrica



Esta ferramenta está duplamente vedada; assim não é necessário fio de terra. Certifique-se sempre de que o fornecimento de energia corresponde à voltagem indicada na placa de especificações.

Instruções adicionais de segurança para aparadores de relva

Os símbolos de advertência a seguir encontram-se na ferramenta:



Leia o manual antes de utilizar o produto.



Utilize óculos de segurança durante o funcionamento da ferramenta.



Mantenha as pessoas a uma distância mínima de 6 m da área de corte.



Não exponha a ferramenta a chuva nem a humidade excessiva.

- ◆ Familiarize-se com os controlos e com a utilização correcta da ferramenta.
- ◆ Utilize a ferramenta apenas durante o dia ou com boa iluminação artificial.
- ◆ Antes de iniciar a utilização, verifique se o cabo de alimentação e extensão apresentam sinais de danos, envelhecimento e desgaste. Caso um cabo fique danificado durante a utilização, desligue imediatamente o cabo da rede eléctrica. **NÃO TOQUE NO CABO ANTES DE DESLIGAR A CORRENTE.**
- ◆ Não utilize a ferramenta se os cabos estiverem gastos ou danificados.
- ◆ Use sapatos ou botas robustos para proteger os pés.
- ◆ Use calças compridas para proteger as pernas.
- ◆ Antes de utilizar a ferramenta, verifique se o percurso de corte está livre de gravetos, pedras, arame e quaisquer outros obstáculos.
- ◆ Utilize a ferramenta apenas na posição vertical, com o fio de nylon próximo ao solo. Nunca a ligue em qualquer outra posição.
- ◆ Mova-se devagar ao utilizá-la. Lembre-se que a relva recém-cortada é húmida e escorregadia.
- ◆ Não trabalhe em declives acentuados. Trabalhe transversalmente, nunca em direcção ascendente e descendente.
- ◆ Nunca atravesse caminhos ou estradas com pedregulhos com a ferramenta em funcionamento.
- ◆ Nunca toque o fio de nylon durante o funcionamento.
- ◆ Não coloque a ferramenta em posição horizontal a menos que o fio de nylon esteja completamente parado.
- ◆ Utilize apenas o tipo adequado de fio de nylon. Nunca utilize fio de metal ou linha de pesca.
- ◆ Cuidado para não tocar na lâmina limitadora do fio de nylon.
- ◆ Cuide para que o cabo de alimentação eléctrica fique longe do fio de nylon. Esteja sempre atento ao posicionamento do cabo.
- ◆ Mantenha sempre as mãos e os pés afastados do fio de nylon, especialmente aquando da ligação do motor.
- ◆ Advertência! Os elementos de corte continuam a rodar depois de a ferramenta ser desligada.

- ◆ Nunca use a ferramenta com resguardos danificados ou sem que os mesmos estejam devidamente colocados.
- ◆ Mantenha sempre as ranhuras de ventilação limpas.

Características

Esta ferramenta inclui algumas ou todas as seguintes características.

1. Interruptor de ligar/desligar
2. Pega
3. Retentor do cabo
4. Tomada de alimentação
5. Punho secundário
6. Tubo
7. Ganchos para guardar o cabo
8. Botão de ajuste
9. Resguardo
10. Lâmina limitadora do fio de nylon
11. Fio de nylon
12. Compartimento da bobina
13. Guia de acerto de orlas
14. Cabeça

Montagem

Advertência! Antes da montagem, certifique-se de que a ferramenta está desligada da corrente eléctrica.

Montagem do tubo na cabeça (fig. A)

- ◆ Alinhe a lingueta rectangular do tubo (6) com o local na cabeça (14).
- ◆ Insira o tubo na cabeça e empurre-o até encaixar em posição.

Montagem da pega no tubo (fig. B)

- ◆ Alinhe a lingueta quadrada do tubo (6) com o local na pega (2).
- ◆ Insira o tubo na pega e empurre-o até encaixar em posição.

Instalação do resguardo (fig. C)

- ◆ Retire o parafuso (15) da cabeça.
- ◆ Coloque o resguardo na ferramenta, conforme demonstrado.
- ◆ Carregue firmemente no resguardo (9) até que encaixe em posição.
- ◆ Fixe o resguardo com o parafuso.

Advertência! Nunca utilize a ferramenta se o resguardo não estiver bem instalado.

Remoção do fio de nylon

Durante o transporte, o fio de nylon é fixado ao compartimento da bobina.

- ◆ Remova a fita que segura o fio de nylon (11) ao compartimento da bobina (12).

Ligação da ferramenta à rede eléctrica (fig. D)

- ◆ Ligue a ficha fêmea de um cabo de extensão adequado à tomada de alimentação (4).
- ◆ Passe o cabo através do retentor do mesmo (3).
- ◆ Ligue a ficha à tomada de parede.

Para unidades com cabo ligado: Certifique-se de que o cabo está enrolado no respectivo retentor antes de ligar a ficha à tomada de rede.

Advertência! O cabo de extensão deve ser adequado para uso em ambientes externos.

Utilização

Advertência! Deixe que a ferramenta funcione à vontade. Não o sobrecarregue.

Ajuste da ferramenta no modo de apara ou acerto de orlas (fig. E - G)

É possível utilizar a ferramenta no modo de apara conforme demonstrado na fig. F ou no modo de acerto de orlas para aparar excesso de relva ao longo de orlas e canteiros de flores, conforme demonstrado na fig. G.

Modo de apara (fig. E & F)

Para aparar, a cabeça do aparador deverá estar na posição demonstrada na fig.F. Caso contrário:

- ◆ Prima o botão de ajuste (8).
- ◆ Rode a cabeça (14), enquanto solta o botão.
- ◆ Quando a cabeça estiver na posição desejada, o botão bloqueia nessa posição.

Nota: O tubo só roda numa direcção.

Modo de acerto de orlas (fig. E & G)

Para acertar orlas, a cabeça do aparador deverá estar na posição demonstrada na fig.G. Caso contrário:

- ◆ Prima o botão de ajuste (8).
- ◆ Rode a cabeça (14), enquanto solta o botão.
- ◆ Quando a cabeça estiver na posição desejada, o botão bloqueia nessa posição.

Nota: O tubo só roda numa direcção.

Como ligar e desligar a ferramenta

- ◆ Para ligar a ferramenta, aperte a manopla com gatilho (1).
- ◆ Para desligar a ferramenta, solte a manopla com gatilho.

Advertência! Nunca tente travar a manopla com gatilho na posição ligada.

Sugestões para uma melhor utilização

Informações gerais

- ◆ Para obter óptimos resultados, corte apenas relva seca.

Apara

- ◆ Segure a ferramenta conforme demonstrado na fig. F.
- ◆ Incline o aparador com cuidado de um lado para outro.
- ◆ Ao cortar relva longa, trabalhe em etapas, partindo do topo. Efectue cortes pequenos.
- ◆ Mantenha a ferramenta afastada de objectos duros e plantas delicadas.
- ◆ Se a ferramenta começar a funcionar lentamente, reduza a carga.

Acerto de orlas

É possível alcançar resultados de corte excelentes em orlas com mais de 50 mm de profundidade.

- ◆ Não utilize a ferramenta para criar orlas. Para tal, utilize uma pá de acerto de orlas.
- ◆ Guie a ferramenta conforme demonstrado na fig. G.
- ◆ Para efectuar um corte mais aproximado, incline levemente a ferramenta.

Manutenção

Esta ferramenta foi desenvolvida para funcionar por um longo período de tempo, com o mínimo de manutenção. O funcionamento contínuo e satisfatório depende de limpeza regular e de manutenção adequada.

Advertência! Antes de qualquer procedimento de manutenção, desligue a ferramenta no interruptor e retire a ficha da tomada.

- ◆ Limpe regularmente as ranhuras de ventilação da ferramenta utilizando uma escova suave ou um pano seco.
- ◆ Limpe regularmente o fio de nylon e a bobina com uma escova macia ou um pano seco.
- ◆ Utilize regularmente uma espátula romba para remover relva e sujidade da parte inferior do resguardo.

Instalação de uma nova bobina de fio de nylon (fig. H - J)

Bobina com um fio de nylon (fig. H)

É possível obter bobinas de reposição de fio de nylon junto do seu distribuidor Black & Decker (ref. n.º A6481).

- ◆ Mantenha as linguetas (16) premidas e remova a tampa da bobina (17) do compartimento (12).
- ◆ Retire a bobina (18) vazia do respectivo compartimento.
- ◆ Retire toda a sujidade e relva da tampa e do compartimento da bobina.
- ◆ Pegue a bobina nova e desenrole aproximadamente 9 cm do fio de nylon.
- ◆ Passe-o através da abertura (19).
- ◆ Empurre a bobina para o eixo de transmissão (20) e gire-a com cuidado até que encaixe.

Certifique-se de que o fio não fica preso sob a bobina e que 9 cm de fio se projectam do compartimento.

- ◆ Alinhe as linguetas da tampa da bobina com os orifícios do compartimento.
- ◆ Empurre a tampa para o compartimento até que encaixe firmemente em posição.

Advertência! Se o fio de nylon se projectar para além da lâmina limitadora (10), corte-o de forma que apenas a alcance.

Bobina com duplo fio de nylon (fig. I & J)

É possível obter bobinas de reposição de fio de nylon junto do seu distribuidor Black & Decker (ref. n.º A6441). Carretéis completos que contêm uma bobina de fio de nylon estão também disponíveis (n.º cat. A6488).

- ◆ Mantenha as linguetas (21) premidas e remova a tampa da bobina (22) do compartimento (12).
- ◆ Retire a bobina (23) vazia da tampa da mesma.
- ◆ Retire toda a sujidade e relva da tampa e do compartimento da bobina.
- ◆ Pegue a nova bobina e coloque-a na saliência da tampa. Gire a bobina levemente até que esteja encaixada.
- ◆ Solte a extremidade de um dos fios de nylon e alimente-o para o interior dos orifícios (24). O fio deverá projectar-se aproximadamente 9 cm da tampa da bobina.
- ◆ Solte a extremidade do outro fio e alimente-o para o interior do outro orifício. O fio deverá projectar-se aproximadamente 9 cm da tampa da bobina.
- ◆ Alinhe as linguetas (21) da tampa da bobina com os recortes (25) do compartimento.
- ◆ Empurre a tampa para o compartimento até que encaixe firmemente em posição.

Advertência! Se os fios de nylon se projectarem para além da lâmina limitadora (10), corte-os de forma que apenas a alcancem.

Colocação de fio de nylon novo numa bobina vazia (fig. K - O)

É possível colocar fio de nylon novo numa bobina vazia.

Bobina com um fio de nylon (fig. K & L)

Poderá obter unidades de reposição de fio de nylon junto do seu distribuidor Black & Decker (ref. n.º A6170 (25 m) & A6171 (40 m)).

- ◆ Retire a bobina vazia da ferramenta conforme descrito acima.
- ◆ Retire completamente o fio de nylon da bobina.
- ◆ Coloque 2 cm de fio de nylon num dos orifícios (26) da bobina conforme demonstrado.
- ◆ Dobre o fio e prenda-o na ranhura em forma de L (27).
- ◆ Enrole-o na bobina, na direcção da seta (28). Assegure-se

de que enrola o fio de forma ordenada e em camadas. Não o cruze.

- ◆ Quando o fio enrolado atingir os recessos (29), corte-o. Deixe que o fio se projecte aproximadamente 9 cm da bobina e coloque um dedo sobre o fio para mantê-lo no local.
- ◆ Proceda da forma descrita acima para instalar a bobina na ferramenta.

Advertência! Utilize apenas o tipo adequado de fio de nylon da Black & Decker.

Bobina com duplo fio de nylon (fig. M - O)

Poderá obter unidades de reposição de fio de nylon junto do seu distribuidor Black & Decker (ref. n.º A6440).

- ◆ Retire a bobina vazia da ferramenta conforme descrito acima.
- ◆ Retire completamente o fio de nylon da bobina.
- ◆ Enrole o fio novo na extremidade superior da bobina:
 - Alimente 2 cm de fio através de uma das ranhuras (30) na parte superior da bobina, conforme demonstrado.
 - Enrole-o na bobina, na direcção da seta (31). Assegure-se de que enrola devidamente o fio e em camadas. Não o cruze.
 - Quando o fio enrolado atingir os recessos (32), corte-o.
 - Deixe o fio temporariamente nas ranhuras (33), num dos lados da bobina conforme demonstrado.
- ◆ Repita o procedimento descrito acima para o segundo fio de nylon, situado na parte inferior da bobina. Deixe o fio nas ranhuras não utilizadas (33).
- ◆ Proceda da forma descrita acima para instalar a bobina na ferramenta. Não esqueça de soltar o fio de nylon das ranhuras (33).

Advertência! Utilize apenas o tipo adequado de fio de nylon da Black & Decker. Assegure-se de que há fio de nylon nas duas secções da bobina.

Resolução de problemas

Se a sua ferramenta não estiver a funcionar adequadamente, siga as instruções abaixo. Se não solucionar o problema, contacte um centro de assistência técnica da Black & Decker.

Advertência! Antes de continuar, desligue a ferramenta da tomada.

Funcionamento lento da ferramenta

- ◆ Verifique se o compartimento da bobina gira livremente. Limpe-o com cuidado, se necessário.
- ◆ Verifique se o fio de nylon não se projecta mais de 9 cm do compartimento da bobina. Neste caso, corte-o de forma que apenas alcance a lâmina limitadora.

Alimentação automática de fio não funciona

- ◆ Mantenha as linguetas premidas e retire a tampa da bobina do compartimento.
- ◆ Puxe o fio de nylon até se projecte 9 cm do compartimento. Se não houver fio suficiente na bobina, instale uma nova bobina conforme as instruções acima.
- ◆ Alinhe as linguetas da tampa da bobina com os recortes do compartimento.
- ◆ Empurre a tampa para o compartimento até que encaixe firmemente em posição.
- ◆ Se o fio se projectar para além da lâmina limitadora, corte-o de forma que apenas a alcance.

Se a alimentação automática de fio ainda não funcionar ou a bobina estiver encravada, tente as sugestões a seguir:

- ◆ Limpe com cuidado a tampa e o compartimento da bobina.
- ◆ Retire a bobina e verifique se a alavanca se move livremente.
- ◆ Retire a bobina, desenrole o fio de nylon e enrole-o novamente de forma ordenada, conforme descrito acima. Recoloque-a conforme as instruções.

Protecção do meio ambiente



Recolha em separado. Não deve deitar este produto fora juntamente com o lixo doméstico normal.

Caso chegue o momento em que um dos seus produtos Black & Decker precise de ser substituído ou decida desfazer-se do mesmo, não o deite fora juntamente com o lixo doméstico. Torne este produto disponível para uma recolha em separado.



A recolha em separado de produtos e embalagens utilizados permite que os materiais sejam reciclados e reutilizados. A reutilização de materiais reciclados ajuda a evitar a poluição ambiental e a reduzir a procura de matérias-primas.

Os regulamentos locais poderão providenciar a recolha em separado de produtos eléctricos junto das casas, em lixeiras municipais ou junto dos fornecedores ao adquirir um novo produto.

A Black & Decker oferece um serviço de recolha e reciclagem de produtos Black & Decker que tenha atingido o fim das suas vidas úteis. Para tirar proveito deste serviço, devolva seu produto a qualquer agente de reparação autorizado, que se encarregará de recolher o equipamento em nosso nome.

Para verificar a localização do agente de reparação mais próximo de si, contacte o escritório local da Black & Decker no endereço indicado neste manual. Se preferir, consulte a lista de agentes autorizados da Black & Decker e os dados completos dos nossos serviços de atendimento pós-venda na Internet no endereço: **www.2helpU.com**

Dados técnicos

		GL301	GL315	GL350
Voltagem	V _{AC}	230	230	230
Potência	W	300	320	350
Velocidade sem carga	min ⁻¹	10.000	10.000	10.000
Peso	kg	2,2	2,2	2,2

Declaração de conformidade CE

GL301/GL315/GL350

A Black & Decker declara que estes produtos estão em conformidade com a:
98/37/CEE, 89/336/CEE, 73/23/CEE, EN 60335, EN 55014, EN 61000

2000/14/CE, Cortador de relva, L <50, Anexo VII, N.º 499 SNCH, L-5230 Sandweiler, Luxembourg

Nível de potência sonora, medido de acordo com a norma EN ISO 3744:

L_{PA} (pressão acústica) 81 dB(A), L_{WA} (potência acústica) 95 dB(A), L_{WA} (com garantia) 96 dB(A)

Valor de vibração calculado na mão/braço de acordo com a norma EN 786: 3,86 m/s²



Kevin Hewitt
Director de Engenharia do Consumo
Spennymoor, County Durham DL16 6JG,
Reino Unido
1-8-2005

Número de aplicação do desenho da União Europeia 388756

Garantia

A Black & Decker confia na qualidade de seus produtos e oferece um programa de garantia excelente. Esta declaração de garantia soma-se aos seus direitos legais e não os prejudica em nenhum aspecto. A garantia será válida nos territórios dos Estados Membros da União Europeia e na Área de Livre Comércio da Europa.

Caso algum produto da Black & Decker apresente avarias devido a defeitos de material, mão-de-obra ou ausência de conformidade no prazo de 24 meses a partir da data de compra, a Black & Decker garantirá a substituição das peças defeituosas, a reparação dos produtos que foram submetidos a uso adequado e remoção ou substituição dos mesmos para assegurar o mínimo de inconvenientes ao cliente a menos que:

- ◆ O produto tenha sido utilizado para fins comerciais, profissionais ou aluguer;
- ◆ O produto tenha sido submetido a uso incorrecto ou descuido;
- ◆ O produto tenha sofrido danos causados por objectos estranhos, substâncias ou acidentes;
- ◆ Tenha um histórico de reparações efectuadas por terceiros que não sejam os agentes autorizados ou profissionais de manutenção da Black & Decker.

Para activar a garantia, será necessário enviar a prova de compra ao revendedor ou agente de reparação autorizado. Para verificar a localização do agente de reparação mais próximo de si contacte o escritório local da Black & Decker no endereço indicado neste manual. Se preferir, consulte a lista de agentes autorizados da Black & Decker e os dados completos de nossos serviços de atendimento pós-venda na Internet no endereço: **www.2helpU.com**

Visite o nosso website **www.blackanddecker.com** para registar o seu novo produto Black & Decker e para se manter actualizado sobre novos produtos e ofertas especiais. Estão disponíveis mais informações sobre a Black & Decker e sobre a nossa gama de produtos em **www.blackanddecker.com**

Användningsområde

Din Black & Decker grässtrimmare är avsedd för trimning och kantklippning av gräsmattor och för gräsklippning på svåråtkomliga ställen.

Verktyget är endast avsett som konsumentverktyg.

Säkerhetsinstruktioner

- ◆ **Varning!** När man använder elverktyg är det viktigt att man bl.a. följer nedanstående säkerhetsanvisningar för att minska risken för brand, elektriska stötar, personsador och materialsador.
- ◆ Spara bruksanvisningen lättillgängligt.
- ◆ Ta ut kontakten ur vägguttaget före inställningar, service eller underhåll.

Håll arbetsområdet i ordning

Nedskräpade ytor och arbetsbänkar inbjuder till skador.

Tänk på arbetsmiljöns inverkan

Utsätt inte verktyget för regn. Använd inte verktyget på fuktiga eller våta platser. Ha bra belysning över arbetsytan. Använd inte verktyget där det finns risk för eldsvåda eller explosion, t.ex. i närheten av lättantändliga vätskor eller gaser.

Utom räckhåll för barn

Tillåt inte barn, besökande eller djur att komma i närheten av arbetsplatsen eller att röra vid verktyget eller sladden.

Klä dig rätt

Bär inte löst hängande kläder eller smycken. De kan fastna i rörliga delar. Gummihandskar och halkfria skor rekommenderas vid utomhusarbeten. Använd hårnät om du har långt hår.

Skyddskläder

Använd alltid skyddsglasögon. Använd ansiktsmask om arbetet försorsakar damm eller partiklar i luften. Använd hörselskydd.

Eliminera risken för elektriska stötar

Undvik kroppskontakt med jordade ytor (t.ex. rör, värmeelement, vattenkokare och kylskåp). Elsäkerheten kan förbättras ytterligare genom användning av en jordfelsbrytare med hög känslighet (30 mA/30 mS).

Sträck dig inte för mycket

Se till att du alltid har säkert fotfäste och balans.

Var uppmärksam

Titta på det du gör. Använd sunt förnuft. Använd inte verktyget när du är trött.

Sätt fast arbetsstycket

Använd skruvtingar eller ett skruvstycke för att hålla fast arbetsstycket. Det är säkrare än att använda handen och du får bägge händerna fria för arbetet.

Anslut dammsugningsutrustning

Om möjligheter finns för anslutning av utrustning för dammsugning och dammupsamling ska sådan utrustning anslutas och användas på korrekt sätt. OBS! Anslut endast grovsugare.

Tag bort nycklar

Kontrollera att nycklar och justerverktyg har tagits bort från verktyget innan det startas.

Förlängningssladdar

Kontrollera förlängningssladden innan den används. Byt ut den om det behövs. Om verktyget används utomhus ska bara förlängningssladdar som är avsedda för utomhusbruk användas. Förlängningssladd upp till 30 meter kan användas utan att effekten avtar.

Använd rätt verktyg

Använd inte verktyg för ändamål de inte är avsedda för. Tvinga inte verktyget att göra arbeten som är avsedda för kraftigare verktyg. Använd endast tillbehör och tillsatser som är rekommenderade i bruksanvisningen och katalogerna. Överbelasta inte verktyget. Använd till exempel inte cirkelsågar för att såga grenar eller ved.

Varning! Användning av annat verktyg eller tillbehör kan innebära risk för personskada.

Kontrollera verktyget för skador

Kontrollera verktyget och sladden för skador innan du använder verktyget. Kontrollera att de rörliga delarna inte har fastnat eller är felmonterade. Kontrollera även att övriga delar och skydd inte är skadade och att det inte föreligger några andra fel som kan påverka verktygets funktion. Kontrollera att verktyget fungerar riktigt och kan utföra de avsedda funktionerna. Använd inte verktyget om fel uppstått på någon av dess delar. Använd inte verktyget om det inte kan kopplas till och från med strömbrytaren. Om fel uppstår skall delarna repareras eller bytas ut av en auktoriserad Black & Decker serviceverkstad. Försök aldrig reparera verktyget själv.

Dra ur kontakten

Tag ur kontakten när verktyget inte är i bruk samt före byte av någon del av verktyget, tillbehör eller verktygsfästen eller innan serviceåtgärder utförs.

Undvik oavsiktlig start

Bär aldrig verktyget med ett finger på strömbrytaren.

Kontrollera att verktyget är avstängt innan du sätter i kontakten.

Misshandla inte sladden

Bär aldrig verktyget i sladden och använd inte sladden för att dra ut kontakten. Utsätt inte sladden för värmekällor, olja eller skarpa kanter.

Förvara verktyg säkert

När verktyget inte används ska det förvaras på ett torrt ställe, som antingen är låst eller högt beläget så att barn inte kan komma åt det.

Sköt verktyget med omsorg

Håll verktyget rent och använd skarpa tillbehör för bättre prestanda och säkrare drift. Följ instruktionerna beträffande skötsel och byte av tillbehör. Håll handtagen och strömbrytare torra, rena och fria från olja och fett.

Reparationer

Detta verktyg uppfyller gällande säkerhetskrav. Reparationer ska utföras av en auktoriserad Black & Decker serviceverkstad som använder originaldelar, annars kan användaren utsättas för stor fara.

Elektrisk säkerhet



Eftersom verktyget är dubbelisolerat behövs ingen jordledare. Kontrollera alltid att spänningen på nätet överensstämmer med den spänning som finns angiven på märkplåten.

Tillkommande säkerhetsanvisningar för grästrimmare

Följande varningssymboler finns på verktyget:



Läs bruksanvisningen innan du använder verktyget.



Använd skyddsglasögon under arbetet med verktyget.



Tillåt inte barn och djur att uppehålla sig närmare arbetsområdet än 6 meter.



Undvik att utsätta verktyget för regn och hög luftfuktighet.

- ◆ Bekanta dig med reglagen och hur verktyget ska användas.
- ◆ Använd verktyget endast vid dagsljus eller bra belysning.
- ◆ Kontrollera före användning om sladden eller

förlängningssladden är skadad, sliten eller börjar bli gammal. Om en sladd skadas under användning, koppla bort nätsladden från elnätet omedelbart. RÖR INTE SLADDEN INNAN STRÖMMEN KOPPLATS BORT.

- ◆ Använd inte verktyget om sladdarna är utslitna eller skadade.
- ◆ Skydda fötterna genom att bära rejäla skor eller stövlar.
- ◆ Skydda benen genom att bära långbyxor.
- ◆ Innan du börjar arbeta ska du kontrollera att arbetsområdet är fritt från pinnar, stenar, ståltrådar och andra föremål.
- ◆ Verktyget ska hållas lodrätt när det används, med trimträden nära marken. Starta aldrig verktyget i något annat läge.
- ◆ Rör dig långsamt när du använder verktyget. Tänk på att nyklippt gräs är fuktigt och halt.
- ◆ Arbeta inte i branta sluttningar. Arbeta i sidled i sluttningar – inte uppåt och nedåt.
- ◆ Gå aldrig över en grusgång med verktyget igång.
- ◆ Ta aldrig på trimträden när verktyget är igång.
- ◆ Lägg inte ner verktyget förrän trimträden har stannat helt.
- ◆ Använd endast rätt typ av trimtråd. Använd aldrig trimtråd av metall eller fiskelina.
- ◆ Var noga med att inte vidröra skärbladet för trimträden.
- ◆ Var noga med att hålla undan sladden från trimträden. Håll alltid reda på var sladden finns.
- ◆ Håll alltid händer och fötter borta från trimträden, i synnerhet när motorn startas.
- ◆ Varning! Skärelementen fortsätter rotera sedan verktyget har stängts av.
- ◆ Använd aldrig verktyget om ett skydd är skadat eller saknas.
- ◆ Håll alltid ventilationsspringorna fria från smuts och skräp.

Detaljbeskrivning

Verktyget har en del eller samtliga av nedanstående funktioner.

1. Strömbrytare
2. Handtag
3. Sladdhållare
4. Elkontakt
5. Stödhandtag
6. Rör
7. Sladdvinda
8. Justeringsknapp
9. Skydd
10. Skärblad för trimtråd
11. Trimtråd
12. Spolhus
13. Styrskena
14. Huvud

Montering

Varning! Se till att verktyget är avstängt samt att det inte är anslutet innan monteringen börjar.

Montering av stången på huvudet (fig. A)

- ◆ Rikta den rektangulära klacken på stången (6) gentemot uttaget i huvudet (14).
- ◆ För in stången i huvudet och tryck tills den klickar på plats.

Montering av handtaget på stången (fig. B)

- ◆ Rikta den fyrkantiga klacken på stången (6) gentemot uttaget i handtaget (2).
- ◆ För in stången i handtaget och tryck tills den klickar på plats.

Montering av skyddet (fig. C)

- ◆ Avlägsna skruven (15) från huvudet.
- ◆ Placera skyddet på verktyget enligt figuren.
- ◆ Tryck kraftigt mot skyddet (9) tills det snäpper fast på plats.
- ◆ Lås fast skyddet med skruven.

Varning! Använd inte verktyget om inte skyddet är korrekt monterat.

Att frigöra trimtråden

Under transporten är trimtråden fasttejpad på spolhuset.

- ◆ Ta bort den tejp som håller fast trimtråden (11) vid spolhuset (12).

Koppling till elnätet (fig. D)

- ◆ Anslut honkontakten på en lämplig förlängningssladd till elkontakten (4).
- ◆ För sladden genom sladdhållaren (3).
- ◆ Sätt nätkontakten i ett vägguttag.

Vid inkopplade sladdar: Se till att sladden har letts genom sladdhållaren innan kontakten sätts i vägguttaget.

Varning! Förlängningssladden måste vara avsedd för utomhusbruk.

Användning

Varning! Överbelasta inte maskinen, låt den arbeta i sin egen takt.

Inställning för trimning eller kantklippning (fig. E - G)

Verktyget kan antingen användas i trimningsläge, enligt fig. F, eller i kantklippningsläge för klippning av gräs som sticker utanför kanten på gräsmattor och rabatter, enligt fig. G.

Trimningsläge (fig. E & F)

För trimning ska trimhuvudet stå i läget som visas i fig. F. Om detta inte är fallet:

- ◆ Tryck in justeringsknappen (8).
- ◆ Vrid huvudet (14) medan du släpper knappen.
- ◆ När huvudet är på plats spärras knappen i det nya läget.

Obs! Stången kan endast vridas i en riktning.

Kantklippningsläge (fig. E & G)

För kantklippning ska trimhuvudet stå i läget som visas i fig. G. Om detta inte är fallet:

- ◆ Tryck in justeringsknappen (8).
- ◆ Vrid huvudet (14) medan du släpper knappen.
- ◆ När huvudet är på plats spärras knappen i det nya läget.

Obs! Stången kan endast vridas i en riktning.

Start och stopp

- ◆ Starta verktyget genom att klämma in avtryckarspaken (1).
- ◆ Släpp spaken för att stoppa verktyget.

Varning! Försök aldrig låsa avtryckarspaken i startläge.

Råd för bästa resultat

Allmänt

- ◆ För att få bästa möjliga resultat ska du bara klippa gräs som är torr.

Trimning

- ◆ Håll verktyget såsom visas i fig. F.
- ◆ Sväng grästrimmaren lugnt fram och tillbaka.
- ◆ Arbeta i flera omgångar uppifrån om gräset är långt. Trimma bara lite gräs åt gången.
- ◆ Undvik hårda föremål och ömtåliga växter.
- ◆ Minska belastningen om verktyget börjar gå långsamt.

Kantklippning

De bästa resultaten får man om kanterna är djupare än 50 mm.

- ◆ Skär inte till nya kanter med verktyget. För att göra nya kanter ska du använda en kantspade.
- ◆ Håll verktyget såsom visas i fig. G.
- ◆ Luta verktyget en aning om du vill klippa något närmare.

Skötsel

Ditt verktyg har tillverkats för att fungera under lång tid med ett minimum av underhåll. Med rätt underhåll och regelbunden rengöring behåller verktyget sina prestanda.

Varning! Stäng av verktyget och dra ut sladden innan du påbörjar underhåll och skötsel.

- ◆ Rengör regelbundet verktygets luftintag med en mjuk borste eller torr trasa.
- ◆ Rengör regelbundet trimtråden och spolen med en mjuk borste eller torr trasa.
- ◆ Använd en trubbig skrapa för att regelbundet avlägsna gräs från skyddets undersida.

Byte till en ny trimtrådsspole (fig. H - J)**Spole med enkel trimtråd (fig. H)**

Nya spolar med trimtråd finns tillgängliga hos din Black & Decker återförsäljare (kat.nr. A6481).

- ◆ Håll knapparna (16) intryckta och ta ut spolskyddet (17) ur spolhuset (12).
- ◆ Tag ut den tomma spolen (18) ur spolhuset.
- ◆ Avlägsna eventuell smuts och gräs ur spolhuset och skyddet.
- ◆ Linda av cirka 9 cm trimtråd från den nya spolen.
- ◆ Mata in trimtråden genom trådålet (19).
- ◆ Tryck spolen på drivaxeln (20) och vrid den något tills den sitter på plats. Kontrollera att trimtråden inte har klämts fast under spolen, och att det är 9 cm tråd utanför kåpan.
- ◆ Rikta in knapparna på spolskyddet mot hålen i spolhuset.
- ◆ Tryck spolskyddet på spolhuset tills det snäpper på plats ordentligt.

Varning! Om trimtråden sticker ut utanför skärbladet (10) ska den kapas så att den bara når fram till bladet.

Spole med dubbel trimtråd (fig. H)

Nya spolar med trimtråd finns tillgängliga hos din Black & Decker återförsäljare (kat.nr. A6441). Du kan också köpa hela kassetter, med en spole med trimtråd (kat.nr. A6488).

- ◆ Håll knapparna (21) intryckta och ta ut spolskyddet (22) ur spolhuset (12).
- ◆ Ta ut den tomma spolen (23) ur spolhuset.
- ◆ Avlägsna eventuell smuts och gräs ur spolhuset och skyddet.
- ◆ Tryck på den nya spolen på navet i spolhuset. Vrid lite på spolen så att den hamnar på plats ordentligt.
- ◆ Lösgör den ena änden av trimtråden och mata tråden genom ett av trådålen (24). Tråden ska sticka ut ca. 9 cm utanför spolskyddet.
- ◆ Lösgör änden på den andra trimtråden och mata den genom det andra trådålet. Tråden ska sticka ut ca. 9 cm utanför spolskyddet.
- ◆ Rikta klackarna (21) på spolskyddet gentemot öppningarna (25) i huset.
- ◆ Tryck spolskyddet på spolhuset tills det snäpper på plats ordentligt.

Varning! Om trimtrådarna sticker ut utanför skärbladet (10) ska de kapas så att de bara når fram till bladet.

Lindning av ny trimtråd på en tom spole (fig. K - O)

Du kan linda ny tråd på en tom spole.

Spole med enkel trimtråd (fig. K & L)

Du köper nya förpackningar med trimtråd från din Black &

Decker återförsäljare (kat.nr. A6170 (25 m) & A6171 (40 m)).

- ◆ Avlägsna den tomma spolen från verktyget enligt beskrivningen ovan.
- ◆ Ta bort eventuell trimtråd som finns kvar på spolen.
- ◆ Mata in 2 cm trimtråd genom ett av hålen (26) i spolen enligt figuren.
- ◆ Vik trimtråden och fäst den i den L-formade skåran (27).
- ◆ Linda på trimtråden på spolen i pilens riktning (28). Linda tråden ordentligt i olika lager. Linda inte i kors.
- ◆ Klipp av tråden när den lindade tråden kommit upp till slitsarna (29). Låt ungefär 9 cm av tråden sticka ut från spolen och sätt ett finger på tråden för att hålla den på plats.
- ◆ Sätt spolen på plats enligt anvisningarna ovan.

Varning! Använd endast trimtråd som rekommenderas av Black & Decker.

Spole med dubbel trimtråd (fig. M - O)

Du köper nya förpackningar med trimtråd från din Black & Decker återförsäljare (kat.nr. A6440).

- ◆ Avlägsna den tomma spolen från verktyget enligt beskrivningen ovan.
- ◆ Ta bort eventuell trimtråd som finns kvar på spolen.
- ◆ Linda först på ny tråd på den översta delen av spolen.
 - Mata in 2 cm trimtråd genom en av springorna (30) i den övre delen av spolen enligt figuren.
 - Linda på trimtråden på spolen i pilens riktning (31). Linda tråden ordentligt i olika lager. Linda inte i kors.
 - Klipp av tråden när den lindade tråden kommit upp till slitsarna (32).
 - Fäst tråden tillfälligt i springorna (33) på spolens ena sida enligt figuren.
- ◆ Gör likadant med den andra trimtråden, på spolens undre del. Fäst tråden i de lediga uttagen (33).
- ◆ Sätt spolen på plats enligt anvisningarna ovan. Glöm inte att sedan lösgöra trimtrådarna från uttagen (33).

Varning! Använd endast trimtråd som rekommenderas av Black & Decker. Se till att det finns trimtråd i båda sektionerna av spolen.

Felsökning

Följ anvisningarna nedan om något problem uppkommer. Kontakta din auktoriserade Black & Decker serviceverkstad om du inte kan lösa problemet.

Varning! Dra ur sladden innan du fortsätter.

Verktyget går långsamt.

- ◆ Kontrollera att spolhuset kan rotera fritt. Rengör det

försiktigt om det behövs.

- ◆ Kontrollera att trimtråden inte sticker ut ur spolhuset mer än 9 cm. Om den sticker ut längre ska den kapas så att den just når fram till skärbladet.

Den automatiska trådmattningen fungerar inte

- ◆ Håll knapparna intryckta och avlägsna spolskyddet från spolhuset.
- ◆ Dra i trimtråden tills den sticker ut 9 cm utanför spolhuset. Om det är för lite tråd kvar på spolen byter du till en ny spole med trimtråd. Följ anvisningarna ovan.
- ◆ Rikta knapparna på spolskyddet gentemot öppningarna i huset.
- ◆ Tryck spolskyddet på spolhuset tills det snäpper på plats ordentligt.
- ◆ Om trimtråden sticker utanför skärbladet ska den kapas så att den just når fram till bladet.

Prova följande olika åtgärder om den automatiska trådmattningen ändå inte fungerar, eller om spolen låst sig:

- ◆ Gör ren spolskyddet och spolen försiktigt.
- ◆ Avlägsna spolen och kontrollera att armen kan röra sig fritt.
- ◆ Tag ut spolen och linda av hela trimtråden. Linda sedan på den jämnt igen, enligt anvisningarna ovan. Sätt tillbaka spolen enligt anvisningarna.

Miljöskydd



Särskild insamling. Denna produkt får inte kastas bland vanliga hushållssopor.

Om du någon gång i framtiden behöver ersätta din Black & Decker-produkt med en ny, eller inte längre behöver den, ska du inte kasta den i hushållssoporna. Denna produkt skall lämnas till särskild insamling.



Efter insamling av använda produkter och förpackningsmaterial kan materialen återvinnas och användas på nytt. Användning av återvunna material skonar miljön och minskar förbrukningen av råvaror.

Enligt lokal lagstiftning kan det förekomma särskilda insamlingar av uttjänt elutrustning från hushåll, antingen vid kommunala miljöstationer eller hos detaljhandlaren när du köper en ny produkt.

Black & Decker erbjuder en samlings- och återvinnings-tjänst för Black & Decker-produkter när de en gång har tjänat ut. För att använda den här tjänsten lämnar du in produkten till en auktoriserad B & D-reparatör/representant som tar hand om den för din räkning.

Närmaste auktoriserad Black & Decker-representant finner du genom det lokala Black & Decker-kontoret på adressen i den här manualen. Annars kan du söka på Internet, på listan över auktoriserade Black & Decker-representanter och alla uppgifter om vår kundservice och andra kontakter.

www.2helpU.com

Tekniska data

		GL301	GL315	GL350
Spänning	V_{AC}	230	230	230
Ineffekt	W	300	320	350
Obelastad hastighet	min^{-1}	10.000	10.000	10.000
Vikt	kg	2,2	2,2	2,2

EC-förklaring om överensstämmelse

GL301/GL315/GL350

Black & Decker förklarar att dessa produkter överensstämmer med:

98/37/EEG, 89/336/EEG, 73/23/EEG, EN 60335, EN 55014, EN 61000

2000/14/EEG, Grästrimmare, L <50, Annex VIII, Nr. 499

SNCH, L-5230 Sandweiler, Luxembourg

Bullernivå, uppmätt enligt EN ISO 3744:

L_{PA} (bullernivå) 81 dB(A), L_{WA} (akustisk effekt) 95 dB(A),

L_{WA} (garanterat) 96 dB(A)

Vägt vibrationsmedelvärde hand/arm enligt EN 786: 3,86 m/s^2

Kevin Hewitt

Director of Consumer Engineering
Spennymoor, County Durham DL16 6JG,
Storbritannien
1-8-2005

Tillverkningsdokument (EU): 388756

Reservdelar / reparationer

Reservdelar finns att köpa hos auktoriserade Black & Decker verkstäder, som även ger kostnadsförslag och reparerar våra produkter.

Förteckning över våra auktoriserade verkstäder finns på Internet, vår hemsida www.blackanddecker.se samt www.2helpU.com

Garanti

Black & Decker garanterar att produkten är fri från material- och/eller fabrikationsfel vid leverans till kund. Garantin är i tillägg till konsumentens lagliga rättigheter och påverkar inte dessa. Garantin gäller inom medlemsstaterna i Europeiska Unionen och i det Europeiska Frihandelsområdet.

Om en Black & Decker produkt går sönder på grund av material- och/eller fabrikationsfel eller brister i överensstämmelse med specifikationen, inom 24 månader från köpet, åtar sig Black & Decker att reparera eller byta ut produkten med minsta besvär för kunden.

Garantin gäller inte för fel som beror på:

- ◆ normalt slitage
- ◆ felaktig användning eller skötsel
- ◆ att produkten skadats av främmande föremål, ämnen eller genom olyckshändelse

Garantin gäller inte om reparation har utförts av någon annan än en auktoriserad Black & Decker verkstad.

För att utnyttja garantin skall produkten och inköpskvittot lämnas till återförsäljaren eller till en auktoriserad verkstad senast 2 månader efter det att felet har upptäckts. För information om närmaste auktoriserad verkstad; kontakta det lokala Black & Decker kontoret på den adress som är angiven i bruksanvisningen. En lista på alla auktoriserade verkstäder samt servicevillkor finns även tillgängligt på Internet, adress:

www.2helpU.com

Besök vår webbplats **www.blackanddecker.se** för att registrera din nya Black & Decker-produkt samt för att erhålla information om nya produkter och specialerbjudanden. Vidare information om märket Black & Decker och vårt produktsortiment kan återfinnas på

www.blackanddecker.se

Bruksområder

Din Black & Decker gresstrimmer er beregnet på klipping og trimming av plenkanter og klipping av gress på vanskelig tilgjengelige steder.

Verktøyet er tiltenkt kun som konsumentverktøy.

Sikkerhetsinstruksjoner

- ◆ **Advarsel!** Ved bruk av elektroverktøy, må du alltid følge en del grunnleggende sikkerhetsregler, inkludert følgende, for å redusere faren for brann, elektrisk støt, personskade og materialskade.
- ◆ Ta deg tid til å lese nøye gjennom bruksanvisningen før du begynner å bruke verktøyet.
- ◆ Oppbevar bruksanvisningen på et lett tilgjengelig sted.
- ◆ Trekk støpslet ut av kontakten før du utfører justeringer, service eller vedlikehold.

Hold arbeidsområdet rent og ryddig

En uryddig arbeidsplass innbyr til skader.

Tenk på arbeidsmiljøets innvirkning

Utsett ikke verktøyet for regn. Bruk ikke verktøyet under våte eller fuktige forhold. Pass på at arbeidsområdet er godt opplyst. Bruk ikke verktøyet hvor det er fare for forårsaking av brann eller en eksplosjon, f. eks. i nærheten av brannfarlige væsker eller gasser.

Hold barn unna

Ikke la barn, besøkende eller dyr komme i nærheten av arbeidsområdet eller berøre verktøyet eller strømkabelen.

Kle deg riktig

Ha ikke på deg løstsittende klær eller smykker. De kan sette seg fast i de bevegelige delene. Vi anbefaler gummihansker og sko som ikke glir når du arbeider utendørs. Bruk hårnett hvis du har langt hår.

Personlig vern

Bruk vernebriller. Bruk en ansikts- eller støvmaske når operasjonene kan forårsake støv eller flyvende partikler. Bruk ørevern.

Vern mot elektrisk støt

Unngå kroppskontakt med jordede overflater (f. eks. rør, radiatorer, komfyrer og kjøleskap). Strømsikkerheten kan forbedres ytterligere ved bruk av jordfeilbryter med høy følsomhet (30 mA/30 mS).

Strekk deg ikke for langt

Pass på at du alltid har sikkert fotfeste og balanse.

Vær oppmerksom

Se på det du gjør. Bruk sunn fornuft. Bruk ikke maskinen når du er trett.

Sikre arbeidsstykket

Bruk tvinger eller skrustykker til å feste arbeidsstykket med. Dette er sikrere enn å bruke hånden, og du får begge hendene fri til å styre verktøyet.

Kople til støvutsugstutyr

Hvis det følger med utstyr for tilkøpling av støvutsug og støvoppsamling, må du sørge for at dette koples til og brukes riktig. Obs! Benytt kun grovsugere!

Fjern nøkler

Gjør det til vane å sjekke om nøkler og justeringsverktøy er fjernet før verktøyet startes.

Skjøteledninger

Før bruk må du kontrollere skjøteledningen og bytte den ut hvis den er skadet. Når du bruker verktøyet utendørs, må du kun bruke skjøteledninger beregnet for utendørs bruk.

Skjøteledning på opptil 30 m kan brukes uten effekttap.

Bruk riktig verktøy

Bruk ikke verktøyet til formål det ikke er ment for. Tving ikke en maskin til å gjøre arbeid som krever kraftigere verktøy. Bruk bare tilbehør og utstyr som anbefales i bruksanvisningen og i katalogene. Overbelast ikke verktøyet. For eksempel skal sirkelsager ikke brukes til å sage grener eller ved.

Advarsel! Bruk av annet verktøy eller tilbehør kan medføre en mulig risiko for personskade.

Sjekk verktøyet for skader

Kontroller verktøyet og strømledningen grundig for skade før bruk. Se etter feiljusteringer, om deler har satt seg fast eller har gått i stykker, skadede deksler og brytere eller andre forhold som kan påvirke bruken av verktøyet. Kontroller at verktøyet fungerer som det skal og utfører beregnet funksjon. Bruk aldri verktøyet hvis noen av delene er skadet. Ikke bruk verktøyet hvis det ikke er mulig å slå det på og av med strømbryteren. Hvis noen av delene er skadet så få de reparert eller byttet ut av et autorisert Black & Decker serviceverksted. Prøv aldri å reparere selv.

Trekk ut støpselet

Trekk ut støpselet når verktøyet ikke er i bruk, før du bytter noen av delene på verktøyet, tilbehør eller tilslutning og før vedlikehold.

Unngå utilsiktet start

Bær aldri verktøyet med fingeren på strømbryteren. Pass på at verktøyet er slått av når du setter i støpselet.

Ikke mislighold ledningen

Ikke bær verktøyet etter ledningen eller trekk i ledningen når du skal ta ut støpselet. Utsett ikke ledningen for varme, olje, eller skarpe kanter.

Oppbevar verktøy på et trygt sted

Når verktøyet ikke er i bruk, bør det oppbevares på et tørt sted som er låst eller høyt oppe, utenfor barns rekkevidde.

Vær nøye med vedlikeholdet

Hold verktøyet rent og bruk skarpe tilbehør for bedre prestasjon og sikrere drift. Følg forskriftene når det gjelder vedlikehold og skifte av tilbehør. Hold håndtakene og brytere tørre, rene og fri for olje og fett.

Reparasjoner

Dette verktøyet overholder relevante sikkerhetskrav. Reparasjoner må bare utføres av autoriserte Black & Decker serviceverksteder som benytter originale reservedeler, ellers kan det være farlig å bruke utstyret.

Elektrisk sikkerhet



Dette verktøyet er dobbeltisolert. Jordet ledning er derfor ikke nødvendig. Kontroller at nettspenningen er i overensstemmelse med spenningen på typeskiltet.

Ekstra sikkerhetsinstruksjoner for gresstrimmere

Du finner følgende varselsymboler på verktøyet:



Les bruksanvisningen før du bruker verktøyet.



Ha på deg vernebriller når du bruker dette verktøyet.



Ikke tillat at barn og dyr oppholder seg nærmere arbeidsområdet enn 6 meter.



Ikke utsett verktøyet for regn eller høy fuktighet.

- ◆ Gjør deg kjent med funksjonene og riktig bruk av verktøyet.
- ◆ Bruk bare verktøyet i dagslys eller med bra belysning.
- ◆ Før bruk må du kontrollere om strømledningen eller skjøteledningen er skadet, for gammel eller slitt. Hvis en ledning blir skadet under bruk, må du trekke den ut av nettuttaket umiddelbart. **IKKE BERØR LEDNINGEN FØR DU KOPLER FRA STRØMTILFØRSELEN.**
- ◆ Ikke bruk verktøyet hvis ledningene er skadet eller slitt.
- ◆ Bruk solide sko eller støvler, slik at du beskytter føttene.

- ◆ Beskytt bena ved å bruke langbukser.
- ◆ Før du bruker verktøyet, må du sjekke at arbeidsområdet er fritt for kvister, steiner, ledninger og andre hindringer.
- ◆ Bruk bare verktøyet i loddrett stilling, med trimmertråden mot bakken. Verktøyet må aldri slås på i andre stillinger.
- ◆ Beveg deg sakte når du bruker verktøyet. Husk at nyklipt gress er fuktig og glatt.
- ◆ Ikke arbeid i bratte skråninger. Klipp på tvers av skråninger, ikke opp- eller nedover.
- ◆ Gå aldri over grusganger mens verktøyet er i gang.
- ◆ Rør aldri trimmertråden mens verktøyet er i gang.
- ◆ Ikke legg verktøyet fra deg før trimmertråden har stoppet helt.
- ◆ Pass på at du bruker riktig type trimmertråd. Du må aldri bruke trimmertråder av metall eller fiskesnøre.
- ◆ Pass på at du ikke berører skjæreknivene for trimmertråden.
- ◆ Pass på at ledningen holdes i god avstand fra trimmertråden. Pass på at du alltid vet hvor ledningen er.
- ◆ Hold hender og føtter unna trimmertråden, særlig når du slår på motoren.
- ◆ Advarsel! Trimmertrådene fortsetter å rotere etter at verktøyet er slått av.
- ◆ Ikke bruk verktøyet hvis vernene er skadet eller ikke er montert.
- ◆ Pass alltid på at ventilasjonsslissene holdes fri for smuss.

Funksjoner

Dette verktøyet har noen av eller alle disse funksjonene:

1. Strømbryter
2. Håndtak
3. Ledningholder
4. Strøminntak
5. Støttehåndtak
6. Rør
7. Kabelkroker
8. Justeringsknapp
9. Beskyttelse
10. Skjærekniv for trimmertråd
11. Trimmertråd
12. Spolehus
13. Kantstøtte
14. Hode

Montering

Advarsel! Før monteringen, må du passe på at verktøyet er slått av og at kontakten er trukket ut.

Festing av røret til hodet (fig. A)

- ◆ Hold den rektangulære tasten på røret (6) rett overfor utsparingen i hodet (14).
- ◆ Sett røret inn i hodet og skyv til røret går i inngrep med et klikk.

Festing av håndtaket til røret (fig. B)

- ◆ Hold den rektangulære tasten på røret (6) rett overfor utsparingen i håndtaket (2).
- ◆ Sett røret inn i håndtaket og skyv til røret går i inngrep med et klikk.

Montere vernet (fig. C)

- ◆ Ta skruen (15) ut av hodet.
- ◆ Sett beskyttelsen på maskinen som vist.
- ◆ Trykk beskyttelsen (9) ned til den klikker på plass.
- ◆ Fest beskyttelsen med skruen.

Advarsel! Ikke bruk verktøyet med mindre vernet er satt riktig på.

Utløse trimmertråden

Ved forsendelse er trimmertråden tapet til spolehuset.

- ◆ Fjern tapen som fester trimmertråden (11) til spolehuset (12).

Koble verktøyet til strømtilførsel (fig. D)

- ◆ Koble hunnpluggen på en egnet skjøteledning til strøminntaket (4).
- ◆ Før kabelen i en sløyfe gjennom kabelholderen (3).
- ◆ Sett støpslet inn i et strømmuttak.

Til koblede kabelenheter: Pass på at kabelen føres i en sløyfe gjennom kabelholderen før du setter støpslet i kontakten.

Advarsel! Skjøteledningen må være egnet for utendørs bruk.

Bruk

Advarsel! La verktøyet jobbe med sin egen hastighet. Ikke overbelast det.

Innstilling av verktøyet i trimmer- eller kantklipperposisjon (fig. E - G)

Verktøyet kan brukes i trimmerposisjon, som vist i fig.F eller i kantklipperposisjon for klipping av gress som stikker ut fra plenkanter og blomsterbed, som vist i fig. G.

Trimmerposisjon (fig. E & F)

For trimming bør trimmerhodet være i den posisjonen som er vist i fig. F. Hvis ikke:

- ◆ Trykk inn justeringsknappen (8).
- ◆ Roter hodet (14) mens du utløser knappen.
- ◆ Når hodet er i riktig posisjon, kan knappen låses på plass.

Merk: Røret roterer kun i én retning.

Kantklipperposisjon (fig. E & G)

For kantklipping bør trimmerhodet være i den posisjonen som er vist i fig. G. Hvis ikke:

- ◆ Trykk inn justeringsknappen (8).
- ◆ Roter hodet (14) mens du utløser knappen.

- ◆ Når hodet er i riktig posisjon, kan knappen låses på plass.
- Merk: Røret roterer kun i én retning.

Start og stopp

- ◆ For å slå verktøyet på trykker du inn strømbryteren (1).
- ◆ Slipp strømbryteren for å slå av verktøyet.

Advarsel! Prøv aldri å låse strømbryteren i startstilling.

Råd for optimalt resultat**Generelt**

- ◆ Du oppnår optimale klipperesultater hvis du bare klipper tørt gress.

Trimming

- ◆ Hold verktøyet som vist i fig. F.
- ◆ Sving trimmeren forsiktig fra side til side.
- ◆ Arbeid i flere omganger fra toppen av gresset hvis dette er langt. Klipp lite om gangen.
- ◆ Hold verktøyet i god avstand fra harde gjenstander og skjøre planter.
- ◆ Hvis verktøyet begynner å gå sakte, reduserer du belastningen.

Kantklipping

Optimale klipperesultater oppnås for kanter som er dypere enn 50 mm.

- ◆ Ikke bruk verktøyet til å lage nye kanter. Bruk en kantspade når du skal lage nye kanter.
- ◆ Før verktøyet som vist i fig. G.
- ◆ Vil du klippe tettere, vipper du litt på verktøyet.

Vedlikehold

Verktøyet ditt er konstruert for å være i drift over lengre tid med et minimum av vedlikehold. Det er avhengig av godt vedlikehold og regelmessig rengjøring for å fungere som det skal til enhver tid.

Advarsel! Før alt vedlikehold må verktøyet slås av og kontakten trekkes ut.

- ◆ Rengjør ventilasjonsåpningene på verktøyet regelmessig med en myk børste eller en tørr klut.
- ◆ Rengjør trimmertråden og spolen regelmessig ved hjelp av en myk børste eller tørr klut.
- ◆ Bruk en butt skrape til å fjerne gress og smuss fra undersiden av vernet med jevne mellomrom.

Sette på en ny spole med trimmertråd (fig. H - J)

Spole med enkel trimmertråd (fig. H)

Du får spoler med trimmertråd fra din Black & Decker-forhandler (kat. nr. A6481).

- ◆ Hold tappene (16) nede, og fjern spolebeskyttelsen (17) fra huset (12).
- ◆ Ta den tomme spolen (18) ut av spolehuset.
- ◆ Fjern smuss og gress fra spoledekslet og -huset.
- ◆ Ta den nye spolen og vikle av ca. 9 cm trimmertråd.
- ◆ Mat trimmertråden gjennom øyet (19).
- ◆ Skyv spolen inn på drivakselen (20) og drei litt på den til den sitter på plass. Forsikre deg om at skjæretråden ikke sitter fast under spolen og at 9 cm skjæretråd stikker ut av huset.
- ◆ Sett tappene på spoledekslet mot hullene i huset.
- ◆ Trykk dekslet på huset til det klikker på plass.

Advarsel! Hvis trimmertråden stikker ut forbi skjæreknivene (10), må den kuttes, slik at den såvidt når frem til bladet.

Spole med dobbel trimmertråd (fig. I & J)

Du får spoler med trimmertråd fra din Black & Decker-forhandler (kat. nr. A6441). Komplette kassetter med en spole trimmertråd er også tilgjengelig (kat. nr. A6488).

- ◆ Hold tappene (21) nede, og fjern spolebeskyttelsen (22) fra huset (12).
- ◆ Ta den tomme spolen (23) ut av spoledekslet.
- ◆ Fjern smuss og gress fra spoledekslet og -huset.
- ◆ Skyv den nye spolen inn på bøsingen i spoledekslet. Drei forsiktig på spolen til den sitter på plass.
- ◆ Fekte av den ene enden av trimmertråden og trær den inn i en av åpningene (24). Tråden skal stikke omtrent 9 cm ut av spoledekslet.
- ◆ Løsne enden av den andre trimmertråden og trær den inn i den andre åpningen. Tråden skal stikke omtrent 9 cm ut av spoledekslet.
- ◆ Sett tappene (21) på spoledekslet på linje med sporene (25) i huset.
- ◆ Trykk dekslet på huset til det klikker på plass.

Advarsel! Hvis trimmertrådene stikker ut forbi skjæreknivene (10), må de kuttes, slik at de så vidt når frem til bladet.

Opprulling av ny trimmertråd på en tom spole (fig. K - O)

Du kan vikle ny trimmertråd på en tom spole.

Spole med enkel trimmertråd (fig. K & L)

Du får pakker med trimmertråd fra din Black & Decker-forhandler (kat. nr. A6170 (25 m) & A6171 (40 m)).

- ◆ Ta den tomme spolen ut av verktøyet som forklart over.
- ◆ Fjern eventuell resterende trimmertråd fra spolen.
- ◆ Mat 2 cm trimmertråd inn i ett av hullene (26) i spolen, som vist.

- ◆ Bøy trimmertråden og fest den i den L-formede åpningen (27).
- ◆ Surr trimmertråden opp på spolen i pilens retning (28). Forsikre deg om at du vikler tråden jevnt og lagvis. Ikke gå på kryss og tvers.
- ◆ Når den oppsurrede tråden når frem til innsparingene (29), kutter du den. La tråden stikke ca. 9 cm. ut av spolen, og sett en finger på tråden for å holde den på plass.
- ◆ Sett spolen på plass i verktøyet som forklart over.

Advarsel! Pass på at du bruker riktig type trimmertråd fra Black & Decker.

Spole med dobbel trimmertråd (fig. M - O)

Du får pakker med trimmertråd fra din Black & Decker-forhandler (kat. nr. A6440).

- ◆ Ta den tomme spolen ut av verktøyet som forklart over.
- ◆ Fjern eventuell resterende trimmertråd fra spolen.
- ◆ Vikle først opp den nye tråden på den øverste delen av spolen:
 - Mat 2 cm trimmertråd inn i ett av hullene (30) i øvre del av spolen, som vist.
 - Surr trimmertråden opp på spolen i pilens retning (31). Forsikre deg om at du vikler tråden jevnt og lagvis. Ikke gå på kryss og tvers.
 - Når den oppsurrede tråden når frem til innsparingene (32), kutter du den.
 - Fest tråden midlertidig i sporene (33) på siden av spolen, som vist.
- ◆ Gjenta fremgangsmåten ovenfor for den andre trimmertråden på nedre del av spolen. Fest tråden i de ubrukte sporene (33).
- ◆ Sett spolen på plass i verktøyet som forklart over. Ikke glem å løsne trimmertråden fra sporene (33) der du festet den midlertidig.

Advarsel! Pass på at du bruker riktig type trimmertråd fra Black & Decker. Forsikre deg om at det er skjæretråd i begge seksjoner av spolen.

Problemløsning

Hvis verktøyet ikke ser ut til å fungere som det skal, følger du instruksjonene nedenfor. Løser ikke dette problemet, kontakter du et autorisert Black & Decker serviceverksted.

Advarsel! Før du går videre, trekker du ut støpslet.

Verktøyet går sakte

- ◆ Sjekk at spolehuset kan rotere fritt. Rengjør det nøye, om nødvendig.
- ◆ Sjekk at skjæretråden ikke stikker mer enn 9 cm ut av spolehuset. Hvis den gjør det, kutter du den av, slik at den når akkurat frem til skjæreknivene.

Automatisk trådmating fungerer ikke

- ◆ Hold tappene inne, og fjern spolelokket fra huset.
- ◆ Trekk ut trimmertråden til den stikker 9 cm ut av huset. Hvis det ikke er nok trimmertråd igjen på spolen, installerer du en ny spole med trimmertråd som forklart ovenfor.
- ◆ Sett tappene på spoledekslet på linje med sporene i huset.
- ◆ Trykk dekslet på huset til det klikker på plass.
- ◆ Hvis trimmertråden stikker lengre ut enn til skjæreknivene, kutter du den av, slik at den akkurat når frem til kniven.

Hvis den automatiske trådmatingen ikke fungerer, eller spolen har satt seg fast, kan du prøve disse løsningene:

- ◆ Rengjør spoledeksel og -hus nøye.
- ◆ Ta ut spolen, og sjekk om hendelen kan beveges fritt.
- ◆ Ta ut spolen, og vikle av trimmertråden. Vikle den så jevnt på igjen som forklart ovenfor. Sett spolen på plass som angitt.

Miljøvern



Kildesortering. Dette produktet må ikke kastes i det vanlige husholdningsavfallet.

Hvis du finner ut at Black & Decker-produktet ditt må skiftes ut, eller hvis du ikke lenger har bruk for det, må du unnlate å kaste det sammen med det vanlige husholdningsavfallet. Sørg for at dette produktet gjøres tilgjengelig for kildesortering.



Kildesortering av brukte produkter og emballasje gjør det mulig å resirkulere materialer og bruke dem igjen. Gjenbruk av resirkulerte materialer bidrar til å forhindre forspøling av miljøet og reduserer behovet for råmaterialer.

Lokale regelverk kan legge tilrette for kildesortering av elektriske produkter fra husholdningen, ved kommunale deponier eller gjennom forhandleren når du kjøper et nytt produkt.

Black & Decker har tilrettelagt for innsamling og resirkulering av Black & Decker-produkter etter at de har utspilt sin rolle. Ønsker du å benytte deg av denne tjenesten, returnerer du produktet ditt til et autorisert serviceverksted, som tar det imot og formidler det videre.

Du kan få adressen til ditt nærmeste autoriserte serviceverksted ved å kontakte ditt lokale Black & Decker-kontor på adressen oppgitt i denne håndboken. Du kan også finne en komplett liste over autoriserte Black & Decker-serviceverksteder og utfyllende informasjon om vår etter salg-service og kontaktnumre på Internett på følgende adresse:

www.2helpU.com

Tekniske data

		GL301	GL315	GL350
Spenning	V _{AC}	230	230	230
Inn-effekt	W	300	320	350
Hastighet ubelastet	min ⁻¹	10.000	10.000	10.000
Vekt	kg	2,2	2,2	2,2

Samsvarserklæring for EU

GL301/GL315/GL350

Black & Decker erklærer at disse produktene overholder: 98/37/EØF, 89/336/EØF, 73/23/EØF, EN 60335, EN 55014, EN 61000

2000/14/EF, Plentrimmer, L <50, Vedlegg VIII, nr. 499 SNCH, L-5230 Sandweiler, Luxembourg
Lydnivået, målt i henhold til EN ISO 3744:

L_{pa} (lydtrykk) 81 dB(A), L_{WA} (akustisk effekt) 95 dB(A),
L_{WA} (garantert) 96 dB(A)

Hånd/arm-vektet vibrasjonsverdi i henhold til EN 786: 3,86 m/s²

Kevin Hewitt

Adm. dir. for forbrukerteknikk
Spennymoor, County Durham DL16 6JG,
Storbritannia
1-8-2005

Europeisk designsknadsnummer 388756

Reservdeler / reparasjoner

Reservdeler kan kjøpes hos autoriserte Black & Decker serviceverksteder, som også gir kostnadsoverslag og reparerer våre produkter.

Oversikt over våre autoriserte serviceverksteder finnes på Internett, vår hjemmeside **www.blackanddecker.no** samt **www.2helpU.com**

Garanti

Black & Decker garanterer at produktet ikke har material- og/eller fabrikasjonsfeil ved levering til kunde. Garantien er i tillegg til kundens lovlige rettigheter og påvirker ikke disse. Garantien gjelder innen medlemsstatene i den Europeiske Unionen og i det Europeiske Frihandelsområdet.

Hvis et Black & Decker produkt går i stykker på grunn av material- og/eller fabrikasjonsfeil eller har mangler i forhold til spesifikasjonene, innen 24 måneder fra kjøpet, påtar Black & Decker seg å reparere eller bytte ut produktet med minst mulig vanskelighet for kunden.

Garantien gjelder ikke for feil som kommer av:

- ◆ normal slittasje
- ◆ feilaktig bruk eller vedlikehold (mislighold)
- ◆ at produktet har blitt skadet av fremmede gjenstander, emner eller ved et uhell

Det gjøres oppmerksom på at produktet ikke er beregnet på industriell/profesjonell/yrkesmessig bruk, men til hus- og hjemmebruk.

Garantien gjelder ikke om reparasjoner har blitt utført av noen andre enn et autorisert Black & Decker serviceverksted.

For å ta garantien i bruk skal produktet og kjøpekvittring leveres til forhandleren eller til et autorisert serviceverksted senest 2 måneder etter at feilen har blitt oppdaget. For informasjon om nærmeste autoriserte serviceverksted; kontakt det lokale Black & Decker kontoret på den adressen som er angitt i bruksanvisningen. En oversikt over alle autoriserte serviceverksteder samt servicevilkår finnes også tilgjengelig på Internet, adresse: **www.2helpU.com**

Vennligst stikk innom våre nettsider på **www.blackanddecker.no** for å registrere ditt nye Black & Decker-produkt og for å holde deg oppdatert om nye produkter og spesialtilbud. Du finner mer informasjon om Black & Decker og produktutvalget vårt på **www.blackanddecker.no**

Anvendelsesområde

Din Black & Decker græsstrimmer er designet til trimning og færdiggørelse af græskanter og til græsslåning på begrænsede arealer.

Værktøjet er kun beregnet til privat brug.

Sikkerhedsinstruktioner

- ◆ **Advarsel!** Ved brug af elværktøj skal de grundlæggende sikkerhedsforanstaltninger altid følges, således at risikoen for brand, elektrisk stød, person- og materialeskader mindskes.
- ◆ Læs denne brugsanvisning igennem, inden værktøjet tages i brug.
- ◆ Opbevar brugsanvisningen let tilgængeligt.
- ◆ Tag altid stikket ud af kontakten, før der foretages justering, service eller vedligeholdelse.

Hold arbejdsområdet i orden

Risikoen for ulykke er mindre hvis man holder orden omkring arbejdsområdet.

Tænk på arbejdsmiljøets indflydelse

Udsæt ikke værktøjet for regn. Anvend ikke værktøjet på fugtige eller våde pladser. Sørg for en god belysning over arbejdsområdet. Anvend ikke værktøjet hvor der eksisterer risiko for at brand kan opstå eller eksplosioner forekomme, som følge af brug af værktøjet. F. eks. aldrig i nærheden af let antændelige væsker eller gasser.

Hold børnene på afstand

Børn, besøgende eller dyr må ikke nærme sig arbejdsområdet eller røre ved værktøjet eller netkablet.

Klæd dig rigtigt på

Bær ikke løst hængende tøj eller smykker. De kan sidde fast i bevægelige dele. Gummihandsker og skridsikre sko anbefales ved udendørs arbejde. Brug hårbånd, hvis du har langt hår.

Personlig beskyttelse

Brug beskyttelsesbriller. Brug ansigts- eller støvmaske, når brug af værktøjet kan medføre støv eller flyvende partikler. Der bør bruges høreværn.

Beskyttelse mod elektrisk stød

Undgå kropskontakt med jordede emner (f.eks. rør, radiatorer, komfurer og køleskabe). Den elektriske sikkerhed kan forbedres yderligere ved brug af en højfølsom (30 mA / 30 mS) fejlstrømsafbryder (RCD).

Stræk dig ikke for meget

Sørg for, at du altid har sikkert fodfæste og balance.

Vær opmærksom

Se på det, du gør. Brug din sunde fornuft. Brug ikke værktøjet, når du er trætt.

Sæt arbejdsemnet fast

Brug skruetvinger eller skruestik for at spænde arbejdsemnet fast. Det er sikrere end at bruge hånden, og du får begge hænder fri til arbejdet.

Tilslut støvudsugningsudstyret

Hvis der findes enheder til tilslutningsfunktionerne støvudsugning og støvopsamling, skal man sørge for, at disse tilsluttes og bruges korrekt. OBS! Tilslut kun grovstøvsuger.

Fjern nøglerne

Kontrollér at nøgler og justérværktøj er fjernet fra værktøjet, inden det startes.

Forlængerledningen

Før brugen skal forlængerledningen efterses og udskiftes, hvis det er skadet. Ved brug af værktøjet udendørs må man kun benytte forlængerledninger, der er beregnet til udendørs brug. Der kan bruges op til 30 m forlængerledning uden at styrken forringes.

Brug det rigtige værktøj

Brugen af værktøjet er beskrevet i denne brugsanvisning. Tving ikke elværktøj til at udføre arbejde, som er beregnet til kraftigere værktøj. Brug kun tilbehør og dele, der er anbefalet i brugsanvisningen og katalogerne. Værktøjet må ikke forceres. Brug ikke værktøjet til formål, som det ikke er beregnet til. Brug for eksempel ikke rundsaven til at save trægrenene eller brænde med.

Advarsel! Anvendelsen af andet tilbehør eller udførelse af opgaver med andet værktøj end det her anbefalede kan medføre risiko for personskader.

Kontrollér værktøjet for skader

Kontrollér omhyggeligt værktøjet og ledningen for beskadigelser, før det tages i brug. Check de bevægelige dele for skæv indstilling og sammenbrændinger, kontrollér for brud på dele, skader på skærme og kontakter samt alt andet, der kan påvirke værktøjets funktion. Kontrollér, at værktøjet fungerer rigtigt og kan udføre det arbejde, det er beregnet til. Værktøjet må ikke benyttes, hvis en af delene er beskadiget eller defekt. Brug ikke værktøjet, hvis det ikke kan tændes og slukkes ved afbryderen. Skadede eller defekte dele skal repareres eller udskiftes af en autoriseret tekniker. Man må aldrig forsøge selv at reparere værktøjet.

Afbryd værktøjet

Afbryd værktøjet når det er ude af brug og før udskiftning af enhver værktøjsdel, tilbehør eller andet udstyr.

Undgå utilsigtet start af værktøjet

Bær ikke værktøjet med en finger på tænd/sluk knappen. Sørg for, at værktøjet er slukket, når ledningen tilsluttes strømmen.

Vær forsigtig med ledningen

Man må aldrig bære værktøjet i ledningen eller tage det ud af stikkontakten ved at rive i ledningen. Ledningen skal holdes på afstand af varme, olie og skarpe kanter.

Opbevar værktøjet sikkert, når det ikke bruges

Når værktøjet ikke er i brug, skal det opbevares på et tørt sted, aflåst eller anbragt højt udenfor børns rækkevidde.

Vedligehold værktøjet omhyggeligt

Skærende værktøjer skal holdes skarpe og rene, for på denne måde at opnå et bedre og mere sikkert brug. Følg vedligeholdelsesvejledningen samt vejledningen til udskiftning af tilbehør. Hold håndtag og knapper tørre, rene og fri for olie og fedt.

Reparationer

Dette værktøj opfylder de relevante sikkerhedskrav. Reparationer må kun foretages af dertil kvalificerede personer, som bruger originale reservedele. I modsat fald kan der opstå betydelig fare for brugeren.

Elektrisk sikkerhed



Værktøjet er dobbelt isoleret; derfor er jordledning ikke nødvendig. Kontrollér altid, at strømforsyningen svarer til spændingen på typeskiltet.

Ekstra sikkerhedsvejledning til græstrimmere

Følgende advarselssymboler findes på værktøjet:



Læs brugsanvisningen igennem, inden maskinen tages i brug.



Bær sikkerhedsbriller, når du arbejder med dette værktøj.



Hold mennesker og dyr mindst 6 meter fra græsslåningsområdet.



Udsæt ikke værktøjet for regn eller høj fugtighed.

- ◆ Vær fortlørlig med knapperne og den korrekte brug af værktøjet.
- ◆ Brug kun værktøjet i dagslys eller med god kunstig belysning.
- ◆ Før brug kontrolleres ledningen og forlængerledningen for tegn på skader, ældning og slid. Hvis en ledning beskadiges under brugen, skal den straks trækkes ud af kontakten. **BERØR IKKE LEDNINGEN, FØR DER ER SLUKKET FOR STRØMMEN.**
- ◆ Brug ikke værktøjet, hvis ledningerne er blevet slidt eller beskadiget.
- ◆ Bær kraftige sko eller støvler til beskyttelse af fødderne.
- ◆ Bær lange bukser til beskyttelse af benene.
- ◆ Før du benytter værktøjet, skal du kontrollere, at slåområdet er fri for pinde, sten, ståltråd eller andre hindringer.
- ◆ Brug kun værktøjet, mens du står op med trimmertråden nede ved jorden. Indtag aldrig andre stillinger, når du tænder for værktøjet.
- ◆ Bevæg dig langsomt med værktøjet. Vær opmærksom på, at frisk afskåret græs er fugtigt og fedtet.
- ◆ Arbejd ikke på meget stejle skråninger. Arbejd på tværs af skråninger, ikke op og ned.
- ◆ Man må aldrig krydse grusstier eller veje, mens værktøjet er i gang.
- ◆ Man må aldrig røre ved trimmertråden, mens værktøjet er i gang.
- ◆ Sæt ikke værktøjet fra dig, før trimmertråden er fuldstændigt stoppet.
- ◆ Brug kun den rigtige type trimmertråd. Brug aldrig trimmertråd af metal eller fiskesnøre.
- ◆ Pas på, du ikke berører skærebladet til trimmertråden.
- ◆ Vær omhyggelig med at holde strømkablet væk fra trimmertråden. Vær altid opmærksom på, hvor ledningen er.
- ◆ Hold altid hænder og fødder væk fra trimmertråden, især når motoren startes.
- ◆ Advarsel! Skæreelementerne fortsætter med at rotere et stykke tid, efter at værktøjet er slukket.
- ◆ Brug aldrig værktøjet, hvis beskyttelseskærmen er beskadiget eller ikke er på plads.
- ◆ Sørg altid for, at ventilationsrillerne holdes fri for debris.

Funktioner

Dette værktøj har nogle af eller alle følgende funktioner:

1. Afbryder
2. Håndtag
3. Kabelfastspænding
4. Stik til elkabel
5. Støttehåndtag
6. Skaft
7. Krøge til kabelopbevaring
8. Justeringsknop
9. Beskyttelseskærm

10. Skærebånd til trimmertråden
11. Trimmertråd
12. Spolehus
13. Kantguide
14. Hoved

Montering

Advarsel! Før montering skal man sikre sig, at værktøjet er slukket og taget ud af stikkontakten.

Montering af skaftet til hovedet (fig. A)

- ◆ Indstil skaftets (6) rektangulære knap efter hovedets (14) placering.
- ◆ Indsæt skaftet i hovedet, og skub indtil det klikker på plads.

Montering af håndtaget på skaftet (fig. B)

- ◆ Indstil skaftets (6) kvadratiske knap efter placeringen i håndtaget (2).
- ◆ Indsæt skaftet i håndtaget, og skub indtil det klikker på plads.

Påsætning af beskyttelsesskærmen (fig. C)

- ◆ Fjern skruen (15) fra hovedet.
- ◆ Placér beskyttelsesskærmen på værktøjet som vist.
- ◆ Tryk fast på beskyttelsesskærmen (9), indtil den klikker på plads.
- ◆ Fastgør beskyttelsesskærmen med skruen.

Advarsel! Brug aldrig værktøjet, hvis beskyttelsesskærmen ikke sidder ordentligt fast.

Løsning af trimmertråden

I passagen tapes trimmertråden til spolehuset.

- ◆ Fjern den tape, der fæster trimmertråden (11) til spolehuset (12).

Tilslutning af værktøjet til elnettet (fig. D)

- ◆ Sæt hunstikket på en passende forlængerledning i elstikket (4).
- ◆ Sno kablet gennem kabelfastspændingen (3).
- ◆ Indsæt stikket i stikkontakten.

For kabler i kabelenheder: Sørg for, at kablet er snoet gennem kabelfastspændingen, før maskinen sluttes til stikkontakten.

Advarsel! Forlængerledningen skal være velegnet til udendørs brug.

Anvendelse

Advarsel! Lad værktøjet arbejde i dets eget tempo. Det må ikke overbelastes.

Indstilling af værktøjet til trimnings- eller kantklipningsmode (fig. E - G)

Værktøjet kan bruges i trimningsmode som vist på fig. F eller i kantklipningsmode for at trimme udhængende græs langs med græsplænekanter og blomsterbede som vist på fig. G.

Trimningsmode (fig. E & F)

Til trimning skal trimmerens hoved være i den position, der er vist på fig. F. Hvis det ikke er tilfældet, skal du gøre følgende:

- ◆ Tryk på justeringsknappen (8).
- ◆ Drej hovedet (14), mens knappen slippes.
- ◆ Når hovedet er i position, låser knappen på plads.

Bemærk: Skaftet vil kun rotere i én retning.

Kantklipningsmode (fig. E & G)

Til kantklipning skal trimmerens hoved være i den position, der er vist på fig. G. Hvis det ikke er tilfældet, skal du gøre følgende:

- ◆ Tryk på justeringsknappen (8).
- ◆ Drej hovedet (14), mens knappen slippes.
- ◆ Når hovedet er i position, låser knappen på plads.

Bemærk: Skaftet vil kun rotere i én retning.

Start og stop

- ◆ Tænd for værktøjet ved at trykke på udløserarmen (1).
- ◆ Sluk for værktøjet ved at slippe udløserarmen.

Advarsel! Forsøg aldrig at fastlåse udløserarmen på positionen tændt.

Gode råd til optimalt brug

Generelt

- ◆ Hvis du vil opnå optimale klipperesultater, skal du kun klippe, når græsset er tørt.

Trimning

- ◆ Hold værktøjet som vist på fig. F.
- ◆ Sving trimmeren blødt fra side til side.
- ◆ Hvis du arbejder i højt græs, skal du slå det i flere omgange fra toppen. Tag små afskæringer ad gangen.
- ◆ Hold værktøjet væk fra hårde objekter og sarte planter.
- ◆ Hvis værktøjet begynder at køre langsomt, skal belastningen reduceres.

Kantklipning

Du opnår de mest optimale klipningsresultater på kanter, der er dybere end 50 mm.

- ◆ Brug ikke værktøjet til at lave kanter med. Brug i stedet en kantspade.
- ◆ Før værktøjet som vist på fig. G.
- ◆ Stil værktøjet skråt, hvis du vil lave en tættere klipning.

Vedligeholdelse

Værktøjet er beregnet til at kunne bruges gennem en længere periode med minimal vedligeholdelse. Forsat tilfredsstillende anvendelse afhænger af, at værktøjet behandles korrekt og gøres rent med regelmæssige mellemrum.

Advarsel! Før udførelse af vedligeholdelsesarbejde skal værktøjet slukkes og tages ud af stikkontakten.

- ◆ Gør med regelmæssige mellemrum værktøjets ventilationshuller rene med en blød børste eller en tør klud.
- ◆ Rens regelmæssigt trimmertråden og spolen med en blød børste eller en tør klud.
- ◆ Brug jævnligt en stump skraber til at fjerne græs og snavs fra undersiden af beskyttelsesskærmen.

Isætning af en ny trimmertråd-spole (fig. H - J)

Spole med enkelt trimmertråd (fig. H)

Reservespoler med trimmertråd kan fås hos din Black & Decker-forhandler (kat. nr. A6481).

- ◆ Tryk på knapperne (16) og hold dem nede, og fjern spoledækslet (17) fra huset (12).
- ◆ Fjern den tomme spole (18) fra spolehuset.
- ◆ Fjern al snavs og græs fra spoledækslet og -huset.
- ◆ Tag den nye spole, og vind ca. 9 cm af trimmertråden af.
- ◆ Før trimmertråden gennem hullet (19).
- ◆ Skub spolen fast på drevskaftet (20), og drej den let, indtil den sidder fast. Sørg for, at trimmertråden ikke sætter sig fast under spolen, og at 9 cm af trimmertråden stikker ud fra huset.
- ◆ Justér knapperne på spoledækslet efter hullerne i huset.
- ◆ Skub dækslet på huset, indtil det klikker sikkert på plads.

Advarsel! Hvis trimmertråden stikker frem uden for skærebladet til trimmeren (10), skal den skæres af, så den netop når skærebladet.

Spole med dobbelt trimmertråd (fig. I & J)

Reservespoler med trimmertråd kan fås hos din Black & Decker-forhandler (kat. nr. A6441). Desuden kan man få en hel kassette med en spole med trimmertråd (kat. nr. A6488).

- ◆ Tryk på knapperne (21) og hold dem nede, og fjern spoledækslet (22) fra huset (12).
- ◆ Fjern den tomme spole (23) fra spoledækslet.
- ◆ Fjern al snavs og græs fra spoledækslet og -huset.
- ◆ Tag den nye spole, og skub den på navet i spoledækslet. Drej spolen let, til den sidder fast.
- ◆ Klip enden af en af trimmertrådene, og stik den ind gennem et af øjerne (24). Tråden skal stikke ca. 9 cm ud fra spoledækslet.
- ◆ Klip enden af den anden trimmertråd, og før den ind gennem det andet øje. Tråden skal stikke ca. 9 cm ud fra spoledækslet.

- ◆ Tilpas knapperne (21) på spoledækslet til hullerne (25) i huset.
- ◆ Skub dækslet på huset, indtil det klikker sikkert på plads.

Advarsel! Hvis trimmertrådene stikker ud på den anden side af skærebladet på trimmeren (10), skal de skæres af, så de netop når skærebladet.

Du kan sno en ny trimmertråd på en tom spole (fig. K - O)

Du kan sno en ny trimmertråd på en tom spole.

Spole med enkelt trimmertråd (fig. K & L)

Nye pakker med trimmertråd kan fås hos din Black & Decker-forhandler (kat. nr. A6170 (25 m) & A6171 (40 m)).

- ◆ Fjern den tomme spole fra værktøjet som beskrevet ovenfor.
- ◆ Fjern al resterende trimmertråd fra spolen.
- ◆ Stik 2 cm af trimmertråden ind i et af hullerne (26) i spolen som vist.
- ◆ Bøj trimmertråden, og fæst den i den L-formede rille (27).
- ◆ Sno trimmertråden på spolen i pilens retning (28). Sørg for at sno tråden pænt og i lag. Lav ikke vindinger på kryds og tværs.
- ◆ Når den vundne trimmertråd er nået til markeringerne (29), skæres tråden af. Lad tråden stikke ca. 9 cm ud fra spolen, og sæt en finger på tråden for at holde den på plads.
- ◆ Fortsæt som beskrevet ovenfor med at sætte spolen på værktøjet.

Advarsel! Brug kun den rigtige type trimmertråd fra Black & Decker.

Spole med dobbelt trimmertråd (fig. M - O)

Nye pakker med trimmertråd kan fås hos din Black & Decker-forhandler (kat. nr. A6440).

- ◆ Fjern den tomme spole fra værktøjet som beskrevet ovenfor.
- ◆ Fjern al resterende trimmertråd fra spolen.
- ◆ Vind den nye tråd på den yderste del af spolen først:
 - Stik 2 cm af trimmertråden ind i en af rillerne (30) i den øverste del af spolen som vist.
 - Sno trimmertråden på spolen i pilens retning (31). Sørg for at sno tråden pænt og i lag. Lav ikke vindinger på kryds og tværs.
 - Når den vundne trimmertråd er nået til markeringerne (32), skæres tråden af.
 - Sæt midlertidigt tråden ind i rillerne (33) på den ene side af spolen som vist.
- ◆ Gentag ovenstående procedure for den anden trimmertråd på den nederste del af spolen. Parkér tråden i de ubenyttede riller (33).
- ◆ Fortsæt som beskrevet ovenfor med at sætte spolen på værktøjet. Glem ikke at løsne trimmertråden fra de riller, hvor den er placeret (33).

Advarsel! Brug kun den rigtige type trimmertråd fra Black & Decker. Sørg for, at der er trimmertråd i begge dele af spolen.

Fejlfinding

Hvis værktøjet ikke virker korrekt, skal du gøre følgende. Hvis dette ikke løser problemet, kontakt et Black & Decker servicecenter.

Advarsel! Afbryd værktøjet, før du fortsætter.

Værktøjet kører langsomt

- ◆ Kontrollér, at spolehuset kan rotere frit. Rens det eventuelt.
- ◆ Kontrollér, at trimmertråden ikke stikker mere end 9 cm ud fra spolehuset. Hvis det er tilfældet, skal den skæres af, så den netop når skærebladet til trimmertråden.

Den automatiske trådføder virker ikke

- ◆ Hold knapperne inde, og fjern spoledækslet fra huset.
- ◆ Træk i trimmertråden, til den stikker 9 cm ud fra huset. Hvis der ikke er tilstrækkelig meget tråd på spolen, skal du indsætte en ny spole trimmertråd som beskrevet ovenfor.
- ◆ Tilpas knapperne på spoledækslet til hullerne i huset.
- ◆ Skub dækslet på huset, indtil det klikker sikkert på plads.
- ◆ Hvis trimmertråden stikker ud på den anden side af skærebladet på trimmeren, skal den skæres af, så den netop når skærebladet.

Hvis den automatiske trådføder stadig ikke virker, eller hvis spolen er blokeret, kan du prøve følgende:

- ◆ Rens omhyggeligt spoledækslet og -huset.
- ◆ Fjern spolen, og kontrollér, at armen kan bevæge sig frit.
- ◆ Fjern spolen, og sno trimmertråden af. Vind den derefter pænt på spolen igen som beskrevet ovenfor. Sæt spolen på plads igen som beskrevet.

Beskyttelse af miljøet



Separat indsamling. Dette produkt må ikke bortskaffes sammen med almindeligt husholdningsaffald.

Hvis du en dag skal udskifte dit Black & Decker produkt, eller hvis du ikke skal bruge det længere, må du ikke bortskaffe det sammen med husholdningsaffald. Dette produkt skal være tilgængeligt for separat indsamling.



Separat indsamling af brugte produkter og emballage gør det muligt at genbruge materialer. Genbrugte materialer forebygger miljøforurening og nedbringer behovet for råstoffer.

Lokale regler kan give mulighed for separat indsamling af elektriske husholdningsprodukter på kommunale lossepladser eller hos den forhandler, som du købte produktet af.

Black & Decker har en facilitet til indsamling og genbrug af Black & Decker-produkter, når deres levetid er slut. Få fordelene ved denne service ved at returnere produktet til en autoriseret tekniker, der samler værktøj sammen på vores vegne.

Du kan få oplyst den nærmeste autoriserede tekniker ved at kontakte det lokale Black & Decker-kontor på den adresse, der er angivet i denne brugsanvisning. Alternativt findes der en liste over autoriserede Black & Decker-teknikere og oplysninger om vores eftersalgsservice og kontaktpersoner på Internettet på adressen: www.2helpU.com

Tekniske data

	GL301	GL315	GL350
Spænding	VAC 230	230	230
Motoreffekt	W 300	320	350
Ubelastet hastighed	min ⁻¹ 10.000	10.000	10.000
Vægt	kg 2,2	2,2	2,2

EU overensstemmelseserklæring

GL301/GL315/GL350

Black & Decker erklærer, at disse produkter er i overensstemmelse med følgende:

98/37/EØF, 89/336/EØF, 73/23/EØF, EN 60335, EN 55014, EN 61000

2000/14/EØF, Græstrimmer, L = <50, Annex VI, Nr. 499

SNCH, L-5230 Sandweiler, Luxembourg

Lydniveauet i henhold til EN ISO 3744:

L_{pA} (Iydtryk) 81 dB(A), L_{WA} (akkustisk kraft) 95 dB(A), L_{WA} (garanteret) 96 dB(A)

Hånd/arm vægget vibrationsværdi i henhold til

EN 786: 3,86 m/s²

Kevin Hewitt

Director of Consumer Engineering
Spennymoor, County Durham DL16 6JG,
Storbritannien

1-8-2005

EU-designanmeldelsesnummer 388756

Reserve dele / reparationer

Reserve dele kan købes hos autoriserede Black & Decker serviceværksteder, som giver forslag til omkostninger og reparerer vore produkter. Oversigt over vore autoriserede værksteder findes på internettet på vor hjemmeside www.blackanddecker.dk samt www.2helpU.com

Garanti

Black & Decker garanterer, at produktet er fri for materielle skader og/eller fabrikationsfejl ved levering til kunden. Garantien er et tillæg til konsumentens lovlige rettigheder og påvirker ikke disse. Garantien gælder indenfor medlemsstaterne af den Europæiske Union og i det Europæiske Frihandelsområde.

Hvis et Black & Decker produkt går i stykker på grund af materiel skade og/eller fabrikationsfejl eller på anden måde ikke fungerer i overensstemmelse med specifikationen, inden for 24 måneder fra købsdatoen, påtager Black & Decker sig at reparere eller ombytte produktet med mindst muligt besvær for kunden.

Garantien gælder ikke for fejl og mangler, der er sket i forbindelse med:

- ◆ normal slitage
- ◆ uheldige følger efter unormal anvendelse af værktøjet
- ◆ overbelastning, hæværk eller overdrevent intensivt brug af værktøjet
- ◆ ulykkehændelse

Garantien gælder ikke hvis reparationer er udført af nogen anden end et autoriseret Black & Decker værksted.

For at udnytte garantien skal produktet og købskvitteringen indleveres til forhandleren eller til et autoriseret værksted, senest 2 måneder efter at fejlen opdages. For information om nærmeste autoriserede værksted: kontakt det lokale Black & Decker kontor på den adresse som er opgivet i brugsanvisningen. Liste over alle autoriserede Black & Decker serviceværksteder samt servicevilkår er tilgængelig på internettet, på adressen **www.2helpU.com**

Gå venligst ind på vores website **www.blackanddecker.dk** for at registrere dit nye produkt og for at blive holdt ajour om nye produkter og specialtilbud. Der findes yderligere oplysninger om mærket Black & Decker og vores produktsortiment på adressen **www.blackanddecker.dk**

Käyttötarkoitus

Black & Decker -nurmikonviimeistelijä on suunniteltu nurmikon reunojen viimeistelyyn ja nurmikon leikkaukseen ahtaissa paikoissa.

Kone on tarkoitettu kotikäyttöön.

Turvallisuusohjeet

- ◆ **Varoitus!** Sähkötyökaluja käytettäessä on aina noudatettava mm. seuraavia turvallisuusohjeita, jotta tulipalojen, sähköiskujen, henkilövahinkojen ja materiaaliavurioiden riski olisi mahdollisimman pieni.
- ◆ Säilytä käyttöohje kaikkien koneen käyttäjien ulottuvilla.
- ◆ Irrota pistoke virtalähteestä ennen kuin säädät, puhdistat tai huollat konetta.

Pidä työskentelyalue siistinä

Poista roskat ja mahdolliset esteet työskentelyalueelta vältyksesi vaurioilta.

Ajattele työskentelyalueen vaikutusta työhösi

Älä altista sähkötyökaluja sateelle äläkä käytä niitä kosteissa tai märissä paikoissa. Järjestä työskentelyalueelle hyvä valaistus. Älä käytä konetta paikassa, jossa on tulipalo- tai räjähdysvaara, esim. palavien nesteiden tai kaasujen läheisyydessä.

Työskentele lasten ulottumattomissa

Älä anna lasten, vieraiden tai eläinten tulla lähelle työskentelyaluetta tai koskea koneeseen tai sähköjohtoon.

Pukeudu asianmukaisesti

Älä käytä liian välijä vaatteita tai koruja. Ne voivat tarttua liikkuviin osiin. Käytä ulkona työskennellessäsi kumihansikkaita ja liukumattomia kenkiä. Jos sinulla on pitkät hiukset, käytä hiusverkkoa.

Suojavaatetus

Käytä suojalaseja. Käytä kasvosuojaa, jos työskennellessäsi syntyy pölyä tai hiukkasia. Käytä kuulosuojaimia.

Suojaudu sähköiskuilta

Vältä kosketusta maadoitettuihin pintoihin (esim. putket, lämpöpatterit, liedet ja jääkaapit). Sähköistä turvallisuutta voidaan parantaa käyttämällä erittäin herkkää (30 mA / 30 mS) vikavirtasuojaa.

Älä kurottele

Seiso aina tukevasti ja tasapainossa.

Ole tarkkaavainen

Keskity työhösi. Käytä tervettä järkeä. Älä käytä sähkötyökalua, kun olet väsynyt.

Kiinnitä työstökappale kunnolla

Käytä ruuvipuristinta tai -kappaletta, jotta työstökappale pysyy kunnolla kiinni. Näin saat molemmat kädet vapaaksi työhön.

Liitä pölynpoistolaite

Jos koneessa on liitännä pölynpoisto- ja pölynkeräyslaitteistolle tulee sellainen kiinnittää ja käyttää oikein. HUOM! Liitä koneeseen ainoastaan teollisuuspölynimuri.

Poista avaimet

Poista säätöavaimet ja asennustyökalut koneesta ennen kuin käynnistät sen.

Jatkojohdot

Tarkista jatkojohto ennen käyttöä, ja vaihda vaurioitunut johto uuteen. Käytettäessä konetta ulkona tulee käyttää vain ulkokäyttöön soveltuvia jatkojohtoja. Jopa 30 m:n pituista jatkojohtoa voidaan käyttää tehon vähenemättä.

Käytä oikeaa konetta

Älä käytä konetta muihin töihin, kuin mihin se on tarkoitettu. Älä käytä pientä konetta työssä, joka vaatii tehokkaamman työkalun. Älä ylikuormita konetta. Käytä konetta ainoastaan sellaiseen työhön, johon se on tarkoitettu. Esim. älä sahaa pyörösahalla oksia tai polttopuita.

Varoitus! Käytä konetta ainoastaan sellaiseen työhön, johon se on tarkoitettu, ja käytä vain käyttöohjeessa ja tuotekuvastossa suositeltuja tarvikkeita ja lisälaitteita. Ohjeesta poikkeava käyttö voi aiheuttaa onnettomuuden.

Tarkista, että kone on kunnossa

Tarkista ennen käyttöä, ettei kone tai sähköjohto ole vaurioitunut. Tarkista, etteivät liikkuvat ja muut osat sekä suoja ole viallisia, ja että kaikki muut käyttöön mahdollisesti vaikuttavat tekijät ovat kunnossa. Varmista, että kone toimii oikein ja täyttää tehtävänsä. Älä käytä konetta, jos jokin sen osista on viallinen tai se ei käynnisty ja pysähdy virrankatkaisijasta. Viallinen osa tulee korjata tai vaihtaa valtuutetussa Black & Deckerin huoltoosastossa. Älä koskaan yritä korjata konetta itse.

Irrota kone virtalähteestä

Irrota kone virtalähteestä, kun konetta ei käytetä, ennen minkään koneen osan, tarvikkeen tai lisävarusteen vaihtamista, sekä ennen huoltoa.

Vältä tahatonta käynnistämistä

Älä koskaan kanna konetta sormet kiinni virrankatkaisijassa. Varmista, että kone on pois päältä, ennen kuin kytket sen virtalähteeseen.

Huolehdi johdon kunnosta

Älä koskaan kanno konetta johdosta äläkä irrota pistoketta virtalähteestä vetämällä johdosta. Suojaa johto kuumuudelta, öljyltä ja teräviltä reunoilta.

Säilytä konetta oikein

Kun konetta ei käytetä, säilytä sitä kuivassa, lukitussa paikassa tai korkealla lasten ulottumattomissa.

Hoida työkalua huolellisesti

Pidä työkalu puhtaana ja käytä teräviä teriä tehokasta ja turvallista työskentelyä varten. Noudata huollosta ja tarvikkeiden vaihdosta annettuja ohjeita. Pidä virrankatkaisija ja kädensijat kuivina ja puhtaina öljystä ja rasvasta.

Korjaukset

Tämä kone täyttää voimassa olevat turvallisuusvaatimukset. Korjauksia saa tehdä vain Black & Deckerin valtuuttama huoltoliike, joka käyttää alkuperäisosa. Muussa tapauksessa käyttäjä saattaa joutua vaaratilanteeseen.

Sähköinen turvallisuus



Tämä kone on kaksoiseristetty; siksi ei tarvita erillistä maadoitusta. Tarkista aina, että virtalähde vastaa arvokilvessä ilmoitettua jännitettä.

Lisäturvallisuusohjeet nurmikonviimeistelijälle

Koneessa on seuraavat varoitusmerkit:



Lue käyttöohje huolellisesti ennen koneen käyttöönottoa.



Käytä suojalaseja konetta käyttäessäsi.



Työskentele vähintään 6 m:n etäisyydellä ihmisistä ja eläimistä.



Älä altista konetta sateelle tai kosteudelle.

- Tutustukoneen hallintalaitteisiin ja niiden toimintoihin.
- Käytä konetta vain päivänvalossa tai voimakkaassa keinovalaistuksessa.
- Tarkista ennen käyttöä, että sähköjohto ja jatkojohto ei ole vaurioitunut, vanhentunut tai kulunut. Jos virtajohto vahingoittuu käytön aikana, kytke se välittömästi irti virtalähteestä. ÄLÄ KOSKETA VIRTAJOHTOA ENNEN SEN IRROTTAMISTA VIRTALÄHTEESTÄ.
- Älä käytä konetta, mikäli johdot ovat vialliset tai kuluneet.
- Suojele jalkojasi käyttämällä tukevia kenkiä tai saappaita.

- Käytä pitkiä housuja suojataksesi jalkoja.
- Tarkista ennen koneen käyttöä, ettei työskentelyalueella ole oksia, kiviä, metallilankaa tai muita esteitä.
- Käytä konetta vain pystysuorassa asennossa leikkuulanka lähellä maata. Älä koskaan käynnistä konetta missään muussa asennossa.
- Liiku hitaasti, kun käytät konetta. Muista, että juuri leikattu ruoho on kosteaa ja liukasta.
- Älä työskentele jyrkissä rinteissä. Työskentele rinteiden leveydeltä, älä ylös ja alas rinnettä.
- Älä koskaan kuljeta konetta sora- tai hiekkateiden yli langan pyöriessä.
- Älä koskaan kosketa leikkuulankaa koneen ollessa käynnissä.
- Älä laita konetta maahan, ennen kuin leikkuulanka on täysin pysähtynyt.
- Käytä ainoastaan oikean tyyppistä leikkuulankaa. Älä koskaan käytä metallista leikkuulankaa tai ongensiimaa.
- Älä koske langan leikkuuterään.
- Pidä sähköjohto pois leikkuulangan tieltä. Varmista, että tiedät aina johdon sijainnin.
- Pidä kädet ja jalat poissa leikkuulangan tieltä etenkin, kun moottori käynnistetään.
- Varoitusta! Leikkaavien osien pyöriminen jatkuu senkin jälkeen, kun koneen virta on katkaistu.
- Älä koskaan käytä konetta, jos jokin suoja on vaurioitunut tai ei ole paikallaan.
- Varmista, että ilmanvaihtoaukot ovat puhtaita.

Ominaisuudet

Tällä koneella on kaikki tai joitakin seuraavista ominaisuuksista.

1. Virrankatkaisija
2. Kädensija
3. Johtopidätin
4. Virransyöttöliitäntä
5. Lisäkädensija
6. Letku
7. Johdon kiinnityskoukku
8. Säätönäppäin
9. Suoja
10. Langan leikkuuterä
11. Leikkuulanka
12. Kelakotelo
13. Reunaohjain
14. Pää

Kokoaminen

Varoitus! Ennen kokoamista varmista, että kone on pois päältä eikä sitä ole liitetty virtalähteeseen.

Letkun liittäminen päähän (kuva A)

- Kohdista letkun (6) neliönmuotoinen osa pään (14) sijaintikohdan kanssa.

- ◆ Työnnä letku päähän ja paina sitä, kunnes se naksahaa paikalleen.

Kädensijan liittäminen letkuun (kuva B)

- ◆ Kohdista letkun (6) neliönmuotoinen osa kädensijan (2) sijaintikohdan kanssa.
- ◆ Työnnä letku kädensijaan ja paina sitä, kunnes se naksahaa paikalleen.

Suojan kiinnittäminen (kuva C)

- ◆ Irrota ruuvi (15) päästä.
- ◆ Aseta suoja koneeseen kuvan osoittamalla tavalla.
- ◆ Paina suojaa (9) lujasti, kunnes se napsahaa paikalleen.
- ◆ Kiinnitä suoja ruuvilla.

Varoitus! Älä koskaan käytä konetta, jos suoja ei ole kiinnitetty oikein paikalleen.

Leikkulangan vapauttaminen

Leikkulanka on teipattu kiinni kelakoteloon kuljetuksen ajaksi.

- ◆ Irrota leikkulangan (11) kelakoteloon (12) kiinnittävä teippi.

Koneen liittäminen verkkovirtaan (kuva D)

- ◆ Kiinnitä sopivan jatkojohdon naarasliitin virransyöttöliitäntään (4).
- ◆ Kierrä johto johdon pidikkeen kautta (3).
- ◆ Laita pistoke virtalähteeseen.

Langoitetuille johtoyksiköille: Varmista, että johto on kierretty johdon pidikkeen kautta ennen kuin kiinnität johdon verkkovirtaan.

Varoitus! Jatkojohdon tulee olla ulkokäyttöön tarkoitettu.

Käyttö

Varoitus! Anna koneen käydä omaan tahtiinsa. Älä ylikuormita sitä.

Koneen asettaminen viimeistely- tai reunaleikkuuasentoon (kuva E - G)

Konetta voidaan käyttää joko viimeistelyyn kuten kuvassa F tai reunaleikkuuseen ruohon leikkaamiseksi nurmikon ja kukkapenkien reunoilta kuten kuvassa G.

Viimeistelytila (kuva E & F)

Viimeistelyä varten leikkuupään tulee olla kuvan F mukaisessa asennossa. Jos se ei ole, toimi seuraavasti:

- ◆ Paina säätönäppäintä (8).
- ◆ Kierrä päätä (14) samalla kun vapautat näppäimen.
- ◆ Kun leikkuupää on kohdallaan, painike lukkiutuu paikalleen.

Huomautus: Letku kiertyy vain yhteen suuntaan.

Reunaleikkuutila (kuva E & G)

Reunaleikkuuta varten leikkuupään tulee olla kuvan G mukaisessa asennossa. Jos se ei ole, toimi seuraavasti:

- ◆ Paina säätönäppäintä (8).
- ◆ Kierrä päätä (14) samalla kun vapautat näppäimen.
- ◆ Kun leikkuupää on kohdallaan, painike lukkiutuu paikalleen.

Huomautus: Letku kiertyy vain yhteen suuntaan.

Käynnistys ja pysäytys

- ◆ Käynnistä kone painamalla virrankatkaisijaa (1).
- ◆ Sammuuta kone päästämällä irti virrankatkaisijasta.

Varoitus! Älä koskaan yritä lukita virrankatkaisijaa käynnistysasentoon.

Vinkejä parhaimman tuloksen saamiseksi

Yleiset tiedot

- ◆ Paras leikkutuloks saadaan leikkaamalla kuivaa ruohoa.

Viimeistely

- ◆ Pidä konetta kuvan F osoittamalla tavalla.
- ◆ Käännä kevyesti leikkuria puolelta toiselle.
- ◆ Leikkaa pitkää ruohoa asteittain ylhäältä lähtien. Leikkaa vain vähän kerrallaan.
- ◆ Vältä kovia esineitä tai hentoja kasveja.
- ◆ Jos kone alkaa käydä hitaasti, vähennä kuormitusta.

Reunaleikkuu

Parhaimman tuloksen saa reunoissa, jotka ovat yli 50 mm syviä.

- ◆ Älä tee reunoja koneella. Tee reunat käyttäen sopivaa lapiota.
- ◆ Ohjaa konetta kuvan G osoittamalla tavalla.
- ◆ Jos haluat leikata lähempää, kallista konetta hieman.

Huolto

Kone on suunniteltu toimimaan mahdollisimman pitkään mahdollisimman vähällä huollolla. Asianmukainen käyttö ja säännönmukainen puhdistus takaavat laitteen jatkuvan tyydyttävän toiminnan.

Varoitus! Ennen huoltoa ja puhdistusta tulee koneen olla pois päältä ja irti virtalähteestä.

- ◆ Puhdista koneen ilma-aukot säännöllisesti pehmeällä harjalla tai kuivalla rievulla.
- ◆ Puhdista leikkulanka ja kela säännöllisesti pehmeällä harjalla tai kuivalla rievulla.
- ◆ Poista ruoho ja lika säännöllisesti suojan alapuolelta tylsällä kaapimella.

Uuden lankakelan kiinnittäminen (kuva H - J)

Kela ja yksöisleikkulanka (kuva H)

Uusia lankakeloja myyvät Black & Decker –tuotteiden jälleenmyyjät (tuotenro A6481).

- ◆ Pidä kelan suojuksen kielekkeitä (16) painettuna ja poista kelan suojuus (17) kotelosta (12).
- ◆ Poista tyhjä kela (18) kelakotelosta.
- ◆ Poista kaikki liika ja ruoho kelan suojuksesta ja kotelosta.
- ◆ Vedä leikkulankaa esiin uudelta kelalta noin 9 cm.
- ◆ Pujota leikkulanka reiästä (19).
- ◆ Laita kela akseliin (20) ja kierrä kelaa hieman, kunnes se asettuu paikalleen. Varmista, ettei leikkulanka jää kelan alle ja että sitä tulee ulos kotelosta 9 cm.
- ◆ Kohdista kelan suojuksen kielekkeet kotelon reikiin.
- ◆ Paina suojuus koteloon, kunnes se napsahtaa kiinni paikalleen.

Varoitus! Jos leikkulanka ylettyy leikkuuterän (10) yli, leikkaa se lyhyemmäksi niin, että se on terän kohdalla.

Kela ja kaksoisleikkulanka (kuva I & J)

Uusia lankakeloja myyvät Black & Decker –tuotteiden jälleenmyyjät (tuotenro A6441). Saatavilla on myös lankakelakasettipakkauksia (tuotenro A6488).

- ◆ Pidä kelan suojuksen kielekkeitä (21) painettuna ja poista kelan suojuus (22) kotelosta (12).
- ◆ Poista tyhjä kela (23) kelan suojuksesta.
- ◆ Poista kaikki liika ja ruoho kelan suojuksesta ja kotelosta.
- ◆ Paina uusi kela suojuksen keskiöön. Kierrä kelaa hieman, kunnes se kiinnittyy kunnolla paikalleen.
- ◆ Löysää leikkulangan toista päätä kelalta ja syötä se reikään (24). Lankaa täytyy tulla ulos kelan suojuksesta noin 9 cm.
- ◆ Löysää toisen leikkulangan toista päätä kelalta ja syötä se toiseen reikään. Lankaa täytyy tulla ulos kelan suojuksesta noin 9 cm.
- ◆ Kohdista kelan suojuksen kielekkeet (21) kotelon reikiin (25).
- ◆ Paina suojuus koteloon, kunnes se napsahtaa kiinni paikalleen.

Varoitus! Jos leikkulankaa ylettyy leikkuuterän (10) yli, leikkaa lanka lyhyemmäksi niin, että se on terän kohdalla.

Uuden leikkulangan kiertäminen tyhjään kelaan (kuva K - O)

Tyhjään kelaan on mahdollista kiertää uusi leikkulanka.

Kela ja yksöisleikkulanka (kuva K & L)

Lankapakkauksia myyvät Black & Decker –tuotteiden jälleenmyyjät (tuotenro A6170 (25 m) & A6171 (40 m)).

- ◆ Poista tyhjä kela koneesta aiempien ohjeiden mukaisesti.
- ◆ Poista kaikki vanha leikkulanka kelasta.
- ◆ Syötä 2 cm leikkulankaa toiseen kelan reiästä (26) kuvan mukaisesti.

- ◆ Taita leikkulanka ja kiinnitä se L-muotoiseen uraan (27).
- ◆ Kierrä leikkulanka kelalle nuolen (28) suuntaan. Kierrä lankaa tasaisesti eri kerroksiin. Älä kierrä sitä ristiin.
- ◆ Kun leikkulankaa on kierretty syvennykseen (29) asti, katkaise lanka. Anna lankaa tulla ulos kelalta noin 9 cm ja pidä lankaa paikallaan painamalla sitä sormella.
- ◆ Kiinnitä kela koneeseen aikaisempien ohjeiden mukaisesti.

Varoitus! Käytä vain Black & Deckerin suosittelemaa leikkulankaa.

Kela ja kaksoisleikkulanka (kuva M - O)

Lankapakkauksia myyvät Black & Decker –tuotteiden jälleenmyyjät (tuotenro A6440).

- ◆ Poista tyhjä kela koneesta aiempien ohjeiden mukaisesti.
- ◆ Poista kaikki vanha leikkulanka kelasta.
- ◆ Kierrä ensiksi uusi lanka kelan ylimmäiseen osaan:
 - Syötä 2 cm leikkulankaa yhteisen kelan yläosan urista (30) kuvan mukaisesti.
 - Kierrä leikkulanka kelalle nuolen (31) suuntaan. Kierrä lankaa tasaisesti eri kerroksiin. Älä kierrä sitä ristiin.
 - Kun leikkulankaa on kierretty syvennykseen (32) asti, katkaise lanka.
 - Aseta lanka väliaikaisesti uriin (33) kelan toisella puolella kuvan mukaisesti.
- ◆ Toista edellinen toimenpide toiselle leikkulangalle kiertämällä se kelan alaosaan. Aseta lanka väliaikaisesti vapaana oleviin uriin (33).
- ◆ Kiinnitä kela koneeseen aikaisempien ohjeiden mukaisesti. Muista irrottaa leikkulanka urista (33).

Varoitus! Käytä vain Black & Deckerin suosittelemaa leikkulankaa. Varmista, että kelan molemmissa osissa on leikkulankaa.

Vianmääritys

Jos kone ei näytä toimivan oikein, noudata seuraavia ohjeita. Jos kone ei tästä huolimatta toimi, ota yhteyttä valtuutettuun Black & Deckerin huoltopisteeseen.

Varoitus! Irrota kone virtalähteestä, ennen kuin jatkat.

Kone käy hitaasti

- ◆ Tarkista, että kelan kotelo pääsee pyörimään esteettä. Puhdista se varovasti tarvittaessa.
- ◆ Tarkista, että leikkulankaa ei tule ulos kelan kotelosta yli 9 cm. Jos tulee, katkaise lanka niin, että se tulee lähemmäksi leikkuuterää.

Automaattinen langansyöttö ei toimi

- ◆ Pidä kielekkeitä painettuna ja poista kelan suojuus kotelosta.

- ◆ Vedä leikkuulankaa, kunnes sitä tulee ulos kotelosta 9 cm. Jos kelalla ei ole tarpeeksi leikkuulankaa, asenna uusi leikkuulankakela aikaisempien ohjeiden mukaan.
- ◆ Kohdista kelan suojuksen kielekkeet kotelon reikiin.
- ◆ Paina suojus koteloon, kunnes se napsahtaa kiinni paikalleen.
- ◆ Jos leikkuulankaa tulee ulos leikkuuterän yli, katkaise lanka niin, että se juuri saavuttaa terän.

Jos automaattinen langansyöttö ei vielääkään toimi tai kela on jumissa, kokeile seuraavia toimenpiteitä:

- ◆ Puhdista kelan suojus ja kotelo huolellisesti.
- ◆ Poista kela ja tarkista, että sen vipu pääsee liikkumaan esteettä.
- ◆ Poista kela, pura leikkuulanka kelalta ja kierrä se sitten tasaisesti takaisin aikaisempien ohjeiden mukaisesti. Laita kela takaisin aikaisempien ohjeiden mukaisesti.

Ympäristö



Erillinen keräys. Tätä tuotetta ei saa hävittää normaalin kotitalousjätteen kanssa.

Kun Black & Decker -koneesi on käytetty loppuun, älä hävitä sitä kotitalousjätteen mukana. Tämä tuote on kerättävä erikseen.



Käytettyjen tuotteiden ja pakkausten erillinen keräys mahdollistaa materiaalien kierrätyksen ja uudelleenkäytön. Kierrätettyjen materiaalien uudelleenkäyttö auttaa ehkäisemään ympäristön saastumisen ja vähentää raaka-aineiden kysyntää.

Paikallisten säännösten mukaisesti on mahdollista viedä kotitalouksien sähkölaitteet kuntien kaatopaikoille tai jättää ne vähittäismyyjälle ostettaessa uusi tuote.

Black & Decker tarjoaa mahdollisuuden Black & Decker –tuotteiden keräykseen ja kierrätykseen sen jälkeen, kun ne on poistettu käytöstä. Jotta voisit hyötyä tästä palvelusta, palauta laitteesi johonkin valtuutettuun huoltoliikkeeseen, joka kerää laitteet meidän puolestamme.

Voit tarkistaa lähimmän valtuutetun huoltoliikkeen sijainnin ottamalla yhteyden Black & Deckerin toimistoon, joka sijaitsee tässä käsikirjassa annetussa osoitteessa. Lista valtuutetuista Black & Decker -huoltoliikkeistä sekä yksityiskohtaiset tiedot korjauspalvelustamme ovat vaihtoehtoisesti saatavilla Internetissä, osoitteessa www.2helpU.com

Tekniset tiedot

		GL301	GL315	GL350
Jännite	V _{AC}	230	230	230
Ottoteho	W	300	320	350
Kuormittamaton nopeus	min ⁻¹	10.000	10.000	10.000
Paino	kg	2,2	2,2	2,2

EU:n yhdenmukaisuusilmoitus

GL301/GL315/GL350

Black & Decker vakuuttaa näiden tuotteiden olevan seuraavien standardien vaatimusten mukaisia:

98/37/EC, 89/336/EEC, 73/23/EEC, EN 60335, EN 55014, EN 61000

2000/14/EC, Nurmikonviimeistelijä, L <50, Annex VIII, No. 499 SNCH, L-5230 Sandweiler, Luxembourg

Melutaso, mitattu EN ISO 3744:n mukaisesti:

L_{PA} (äänenpaine) 81 dB(A), L_{WA} (ääniteho) 95 dB(A),

L_{WA} (taattu) 96 dB(A)

Käden painotettu värinäarvo EN 786:n mukaisesti: 3,86 m/s²

Kevin Hewitt

Director of Consumer Engineering
Spennymoor, County Durham DL16 6JG,

Iso-Britannia
1-8-2005

Euroopan yhteisön hakemuksen numero 388756

Korjaukset / varaosat

Mikäli koneeseen tulee vikaa, jätä se aina Black & Deckerin valtuuttamaan huoltoliikkeeseen korjattavaksi (tiedot löytyvät uusimmasta tuoteluettelostamme tai ottamalla yhteyttä Black & Decker Oy:hyn). Varaosia myyvät valtuutetut Black & Deckerin huoltoliikkeet, ja heiltä voi myös pyytää kustannusarvion koneen korjauksesta.

Tiedot valtuutetuista huoltoliikkeistä löytyvät myös internetistä osoitteesta www.2helpU.com sekä kotisivuiltamme www.blackanddecker.fi

Takuu

Black & Decker Oy takaa, ettei koneessa ollut materiaali- ja/ tai valmistusvikaa silloin, kun se toimitettiin ostajalle. Takuu on lisäys kuluttajan laillisiin oikeuksiin eikä vaikuta niihin.

Takuu on voimassa Euroopan Unionin jäsenmaissa ja Euroopan vapaakauppa-alueella (EFTA).

Mikäli Black & Decker -kone hajoaa materiaali- ja/ tai valmistusvirheen tai teknisten tietojen epätarkkuuden vuoksi 24 kk:n kuluessa ostopäivästä, Black & Decker korjaa koneen ilman kustannuksia ostajalle tai vaihtaa sen uuteen Black & Decker Oy:n valinnan mukaan.

Takuu ei kata vikoja, jotka johtuvat koneen

- ◆ normaalista kulumisesta
- ◆ ylikuormituksesta, virheellisestä käytöstä tai hoidosta
- ◆ vahingoittamisesta vieraalla esineellä tai aineella tai onnettomuustapauksessa.

Takuu ei ole voimassa, mikäli konetta on korjannut joku muu kuin Black & Deckerin valtuuttama huoltoliike.

Edellytyksenä takuun saamiselle on, että ostaja jättää koneen ja ostokuitin jälleenmyyjälle tai valtuutetulle huoltoliikkeelle viimeistään 2 kuukauden kuluessa vian ilmenemisestä. Tiedot valtuutetuista huoltoliikkeistä saa ottamalla yhteyttä Black & Decker Oy:hyn sekä internetistä osoitteesta **www.2helpU.com**, jossa on myös takuehdot.

Voit vieraila verkkosivullamme **www.blackanddecker.fi** rekisteröidäksesi uuden Black & Decker-tuotteesi ja saadaksesi tietoa uusista tuotteista ja erikoistarjouksista. Saat lisätietoja Black & Deckerin tavaramerkistä ja tuotevalikoimastamme osoitteesta **www.blackanddecker.fi**

Ενδεδειγμένη χρήση

Η μηχανή φινιρίσματος χόρτου της Black & Decker έχει σχεδιαστεί για το φινιρίσμα χόρτου και άκρων (μπορντούρα), καθώς και για την κοπή χόρτου σε περιορισμένους χώρους. Αυτό το εργαλείο προορίζεται μόνο για ερασιτεχνική χρήση.

Οδηγίες ασφαλείας

- ♦ Προσοχή! Κατά τη χρήση εργαλείων που τροφοδοτούνται με ηλεκτρικό ρεύμα, θα πρέπει πάντα να λαμβάνονται οι βασικές προφυλάξεις ασφαλείας, για τον περιορισμό του κινδύνου πυρκαγιάς, ηλεκτροπληξίας, σωματικών βλαβών και υλικών ζημιών.
- ♦ Πριν χρησιμοποιήσετε το εργαλείο διαβάστε προσεκτικά τις παρακάτω οδηγίες.
- ♦ Φυλάξτε τις οδηγίες καλά.
- ♦ Αποσυνδέστε το εργαλείο από την πρίζα πριν προχωρήσετε σε εργασίες ρύθμισης, σέρβις ή συντήρησης.

Διατηρείτε καθαρό το χώρο εργασίας

Ακατάστατοι χώροι και πάγκοι εγκυμονούν κίνδυνο τραυματισμού.

Λάβετε υπ' όψη τις επιδόσεις του περιβάλλοντος

Μην εκθέτετε ηλεκτρικά εργαλεία σε υγρασία. Φροντίστε η περιοχή εργασίας να είναι καλά φωτισμένη. Μη χρησιμοποιείτε το εργαλείο αν υπάρχει κίνδυνος να προκληθεί πυρκαγιά ή έκρηξη, π.χ. κοντά σε εύφλεκτα υγρά και αέρια.

Κρατάτε τα παιδιά σε απόσταση

Μην επιτρέπετε σε παιδιά, επισκέπτες ή ζώα να πλησιάζουν στο χώρο εργασίας ή να αγγίζουν το εργαλείο ή το καλώδιο τροφοδοσίας.

Φοράτε τα κατάλληλα ρούχα εργασίας

Μη φοράτε φαρδιά ρούχα ή κοσμήματα. Υπάρχει πιθανότητα να παστούν σε κινούμενα μέρη μηχανών. Για υπαίθριες εργασίες συνιστώνται λαστιχένια γάντια και υποδήματα που δε γλιστρούν. Εάν έχετε μακριά μαλλιά φοράτε προστατευτικό διχτάκι.

Ατομική προστασία

Φορέστε προστατευτικά γυαλιά. Φορέστε μάσκα προσώπου ή προστασίας από τη σκόνη, στις περιπτώσεις που η εργασία ενδέχεται να προκαλέσει την παραγωγή σκόνης ή αιωρούμενων σωματιδίων. Φοράτε ωασιπίδες.

Λάβετε τις κατάλληλες προφυλάξεις για το ενδεχόμενο ηλεκτροπληξίας

Αποφύγετε τη σωματική επαφή με γειωμένες ή συνδεδεμένες με το έδαφος επιφάνειες (π.χ. σωλήνες, ψυγεία, βραστήρες και ψυγεία). Η ηλεκτρική ασφάλεια μπορεί να βελτιωθεί αν χρησιμοποιηθεί συσκευή παραμένουτος ρεύματος (RCD) υψηλής ευαισθησίας (30 mA / 30 MS).

Μη σκύβετε πάρα πολύ

Φροντίστε πάντοτε να έχετε την κατάλληλη στάση και να διατηρείτε την ισορροπία σας.

Να είστε πάντα προσεκτικοί

Παρακολουθείτε την εργασία σας. Ενεργείτε λογικά. Μη χρησιμοποιείτε το εργαλείο όταν είστε κουρασμένοι.

Στηρίξτε με ασφαλή τρόπο το αντικείμενο στο οποίο εργάζεστε

Χρησιμοποιείτε σφιγκτήρες ή μέγγεννη για το σκοπό αυτό. Η μέθοδος αυτή είναι ασφαλέστερη και ελευθερώνει και τα δύο σας χέρια για το χειρισμό του εργαλείου.

Συνδέστε τη συσκευή αφαίρεσης σκόνης

Εάν παρέχονται συσκευές για τη σύνδεση συσκευών αφαίρεσης και συλλογής σκόνης, βεβαιωθείτε ότι η σύνδεση και η χρήση τους γίνεται με τον ενδεδειγμένο τρόπο.

Απομακρύνετε από το μηχάνημα τα κλειδιά που χρησιμοποιείτε για τη ρύθμισή του

Πριν βάλετε σε λειτουργία το εργαλείο, βεβαιωθείτε πάντα ότι έχετε βγάλει από αυτό τα κλειδιά για τη ρύθμισή του.

Καλώδια επιμήκυνσης

Πριν τη χρήση, επιθεωρήστε το καλώδιο επιμήκυνσης και αντικαταστήστε το, αν έχει φθαρεί. Εάν χρησιμοποιείτε τη συσκευή σε υπαίθριο χώρο, χρησιμοποιείτε μόνο καλώδια επιμήκυνσης κατάλληλα για χρήση σε υπαίθριο χώρο. Μπορεί να χρησιμοποιηθεί καλώδιο προέκτασης Black & Decker έως και 30 m χωρίς να προκληθεί απώλεια ισχύος.

Χρησιμοποιείτε το σωστό εργαλείο

Η ενδεδειγμένη χρησιμοποίηση αναφέρεται σε αυτές τις οδηγίες χρήσεως. Μη χρησιμοποιείτε εργαλεία χαμηλής ισχύος ή προσθήκες για βαριές εργασίες. Το εργαλείο σας θα λειτουργήσει επιτυχέστερα και ασφαλέστερα εάν χρησιμοποιηθεί σύμφωνα με της προδιαγραφές του. Μη ζορίζετε το εργαλείο. Μη χρησιμοποιείτε το εργαλείο σε εργασίες για τις οποίες δεν είναι κατάλληλα. Για παράδειγμα, μη χρησιμοποιείτε δισκοπίονο για να κόψετε κλαδιά ή κορμούς δέντρων.

Προσοχή! Τόσο η χρήση εξαρτημάτων ή προσθηκών όσο και η πραγματοποίηση εργασιών που δεν συνιστώνται στις οδηγίες αυτές εγκυμονεί κίνδυνο τραυματισμού.

Ελέγχετε εάν το εργαλείο σας έχει θλάβες

Πριν από τη χρήση, ελέγξτε προσεκτικά το εργαλείο και το καλώδιο τροφοδοσίας για τυχόν ζημιές. Ελέγξτε για τυχόν κακή ευθυγράμμιση και εμπλοκή των κινούμενων μερών, για μέρη που έχουν σπάσει, για τυχόν ζημιές στους προφυλακτικές και τους διακόπτες, και γενικά κάθε είδους συνθήκες οι οποίες ενδέχεται να επηρεάσουν τη λειτουργία του εργαλείου.

Βεβαιωθείτε ότι το εργαλείο λειτουργεί κανονικά και χρησιμοποιείται για το σκοπό για τον οποίο προορίζεται. Μη χρησιμοποιείτε το εργαλείο αν κάποιο εξάρτημά του παρουσιάζει ελαττώμα. Μη χρησιμοποιείτε το εργαλείο, εάν ο διακόπτης δεν μπορεί να το θέσει εντός ή εκτός λειτουργίας. Φροντίστε για την επισκευή ή αντικατάσταση τυχόν ελαττωματικών εξαρτημάτων από εξουσιοδοτημένο κέντρο επισκευών. Ποτέ μην επιχειρήσετε να επισκευάσετε οι ίδιοι το εργαλείο.

Βγάλετε το εργαλείο από την πρίζα

Βγάλετε το εργαλείο από την πρίζα όταν το εργαλείο δεν χρησιμοποιείται, προτού αλλάξετε οποιοδήποτε ανταλλακτικό, παρεκκείμενο ή εξάρτημα του εργαλείου, και πριν από τη συντήρησή του.

Αποφύγετε την τυχαία εκκίνηση του εργαλείου

Μη μεταφέρετε το εργαλείο έχοντας το δάκτυλό σας πάνω στο διακόπτη εκκίνησης. Όταν βάζετε την πρίζα, βεβαιωθείτε ότι ο διακόπτης του εργαλείου είναι κλειστός.

Μην κακομεταχειρίζεστε το καλώδιο

Ποτέ μη μεταφέρετε το εργαλείο κρατώντας το από το καλώδιο και μην το τραβάτε από το καλώδιο για να το βγάλετε από την πρίζα. Φροντίστε το καλώδιο να παραμένει μακριά από την θερμότητα, τα λάδια και από αιχμηρές ακμές.

Φυλάγετε τα εργαλεία σας σε ασφαλές μέρος

Ηλεκτρικά εργαλεία που δεν χρησιμοποιούνται πρέπει να φυλάσσονται σε στεγνούς, κλειστούς χώρους ή σε μεγάλο ύψος, μακριά από παιδιά.

Συντηρήστε προσεκτικά τα εργαλεία

Φροντίστε τα εργαλεία σας να είναι κοφτερά και καθαρά, ώστε να προσφέρουν υψηλή απόδοση και ασφάλεια κατά τη χρήση τους. Ακολουθήστε τις σχετικές οδηγίες σε ότι αφορά τη συντήρηση και την αλλαγή των εξαρτημάτων. Φροντίστε οι λαβές και οι διακόπτες να είναι στεγνοί, καθαροί και χωρίς λάδια ή γράσα.

Επισκευές

Το εργαλείο αυτό συμμορφώνεται με τις σχετικές προϋποθέσεις ασφαλείας. Οι επισκευές θα πρέπει να γίνονται μόνο από ειδικευμένους τεχνικούς και με τη χρήση αποκλειστικά γνήσιων ανταλλακτικών, διαφορετικά υπάρχει το ενδεχόμενο σοβαρού κινδύνου για το χρήστη.

Ηλεκτρική ασφάλεια



Το εργαλείο σας φέρει διπλή μόνωση. Κατά συνέπεια δε χρειάζεται καλώδιο γείωσης. Ελέγχετε πάντοτε αν η τάση τροφοδοσίας αντιστοιχεί σε αυτήν που αναγράφεται στην πινακίδα στοιχείων του εργαλείου.

Πρόσθετες οδηγίες ασφαλείας για μηχανές φινιρίσματος χόρτου

Πάνω στο εργαλείο υπάρχουν τα ακόλουθα προειδοποιητικά σύμβολα:



Διαβάστε το εγχειρίδιο πριν θέσετε το μηχάνημα σε λειτουργία.



Όταν χρησιμοποιείτε αυτό το εργαλείο, να φοράτε προστατευτικά γυαλιά.



Φροντίστε τα άλλα άτομα καθώς και ζώα να βρίσκονται σε απόσταση τουλάχιστον 6 μέτρων από την περιοχή κοπής.



Μην αφήνετε το εργαλείο εκτεθειμένο σε βροχή ή σε έντονη υγρασία.

- ◆ Εξοικειωθείτε με τα χειριστήρια και τη σωστή χρήση του εργαλείου.
- ◆ Χρησιμοποιείτε το εργαλείο μόνο στο φως της ημέρας ή σε καλό τεχνητό φως.
- ◆ Πριν από τη χρήση, ελέγξτε προσεκτικά το καλώδιο τροφοδοσίας και την προέκταση καλωδίου για σημάδια ζημιάς, παλαιώσης και φθοράς. Αν κάποιο καλώδιο φθαρεί κατά τη χρήση, αποσυνδέσετε αμέσως το καλώδιο ηλεκτρικού ρεύματος από την πρίζα. ΜΗΝ ΑΓΓΙΞΕΤΕ ΤΟ ΚΑΛΩΔΙΟ ΠΡΙΝ ΑΠΟΣΥΝΔΕΣΕΤΕ ΤΗ ΣΥΣΚΕΥΗ ΑΠΟ ΤΗΝ ΠΡΙΖΑ.
- ◆ Μη χρησιμοποιείτε το εργαλείο αν τα καλώδια εμφανίζουν ζημιάς ή φθορά.
- ◆ Να φοράτε χοντρά υποδήματα ή μπότες για να προστατέψετε τα πόδια σας.
- ◆ Να φοράτε μακριά παντελόνια για να προστατέψετε τα πόδια σας.
- ◆ Πριν χρησιμοποιήσετε το εργαλείο, βεβαιωθείτε ότι στη διαδρομή κοπής σας δεν υπάρχουν κλαδιά, πέτρες, σύρματα ή οποιοδήποτε άλλο εμπόδιο.
- ◆ Χρησιμοποιήστε το εργαλείο μόνο στην κατακόρυφη θέση, με το νήμα κοπής κοντά στο έδαφος. Ποτέ μην ανάβετε το εργαλείο αν βρίσκεται σε οποιαδήποτε άλλη θέση.
- ◆ Να κινείστε αργά όταν χρησιμοποιείτε το εργαλείο. Να έχετε υπόψη σας ότι το φρεσκοκομμένο χόρτο είναι υγρό και γλιστερό.
- ◆ Μην εργάζεστε σε έδαφος με απότομες κλίσεις. Να κινείστε κατά το πλάτος της επικλινούς επιφάνειας και όχι πάνω και κάτω κατά τη διεύθυνση της κλίσης.
- ◆ Ποτέ μη διασχίζετε μονοπάτια με χαλίκια ή δρόμους όταν το εργαλείο είναι σε λειτουργία.
- ◆ Ποτέ μην αγγίζετε το νήμα κοπής όταν το εργαλείο είναι σε λειτουργία.

- ◆ Μην αφήνετε το εργαλείο στο έδαφος παρά μόνο εφόσον το νήμα κοπής έχει ακινητοποιηθεί εντελώς.
- ◆ Να χρησιμοποιείτε μόνο τον κατάλληλο τύπο νήματος κοπής. Ποτέ μη χρησιμοποιείτε μεταλλικό νήμα κοπής ή πετονιά.
- ◆ Προσέξτε να μην αγγίξετε τη λεπίδα αποκοπής νήματος.
- ◆ Φροντίστε να διατηρείτε το καλώδιο τροφοδοσίας μακριά από το νήμα κοπής. Προσέχετε πάντα τη θέση του καλωδίου.
- ◆ Σε καμία περίπτωση μην πλησιάζετε τα χέρια και τα πόδια σας στο νήμα κοπής, ειδικά όταν θέτετε σε λειτουργία τη μηχανή.
- ◆ Προειδοποίηση! Τα στοιχεία κοπής συνεχίζουν την περιστροφή όταν το εργαλείο τίθεται εκτός λειτουργίας.
- ◆ Μην χειριστείτε ποτέ το εργαλείο με φθαρμένους προφυλακτήρες η χωρίς προφυλακτήρες.
- ◆ Θα πρέπει να προσέχετε τα ανοίγματα εξαερισμού τα μην παρεμποδίζονται από σκουπίδια και άλλα αντικείμενα.

Χαρακτηριστικά

Το εργαλείο διαθέτει όλα ή ορισμένα από τα εξής χαρακτηριστικά.

1. Διακόπτης on/off
2. Λαβή
3. Σύστημα συγκράτησης καλωδίου
4. Υποδοχή καλωδίου τροφοδοσίας
5. Βοηθητική λαβή
6. Σωλήνας
7. Αγκιστρα φύλαξης καλωδίου
8. Κομπι ρύθμισης
9. Προφυλακτήρας
10. Λεπίδα αποκοπής νήματος
11. Νήμα κοπής
12. Περιβλήμα πομπίνας
13. Οδηγός μορντούρας
14. Κεφαλή

Συναρμολογήση

Προειδοποίηση! Πριν από τη συναρμολόγηση, βεβαιωθείτε ότι το εργαλείο είναι σθηστό και ότι το φως του δεν είναι στην πρίζα.

Μοντάρισμα του σωλήνα στη κεφαλή (εικ. Α)

- ◆ Ευθυγραμμίστε την ορθοτονία γλωσσίδα του σωλήνα (6) με την θέση στη κεφαλή (14).
- ◆ Εισάγετε το σωλήνα στη κεφαλή και σπρώξτε τη μέχρι να κλειδώσει στη θέση της.

Τοποθέτηση της λαβής στο σωλήνα (εικ. Β)

- ◆ Ευθυγραμμίστε την τετράγωνη γλωσσίδα του σωλήνα (6) με την θέση στη λαβή (2).
- ◆ Εισάγετε το σωλήνα στη λαβή και σπρώξτε τη μέχρι να κλειδώσει στη θέση της.

Τοποθέτηση προφυλακτήρα (εικ. C)

- ◆ Αφαιρέστε τη βίδα (15) από τη κεφαλή.
- ◆ Τοποθετήστε τον προφυλακτήρα στο εργαλείο, όπως φαίνεται στην εικόνα.
- ◆ Πιέστε καλά τον προφυλακτήρα (9) μέχρι να κοιμπώσει στη θέση του.
- ◆ Στερεώστε τον προφυλακτήρα με τη βίδα.

Προειδοποίηση! Ποτέ μη χρησιμοποιείτε τη μηχανή, εάν ο προφυλακτήρας δεν είναι σωστά τοποθετημένος στη θέση του.

Απελευθέρωση του νήματος κοπής

Κατά τη μεταφορά, το νήμα κοπής στερεώνεται με κολλητική ταινία στο περιβλήμα της πομπίνας.

- ◆ Αφαιρέστε την κολλητική ταινία που κρατά σταθερό το νήμα κοπής (11) στο περιβλήμα της πομπίνας (12).

Σύνδεση του εργαλείου στην ηλεκτρική παροχή (εικ. D)

- ◆ Συνδέστε το θηλυκό φως ενός κατάλληλου καλωδίου επέκτασης στην υποδοχή καλωδίου τροφοδοσίας (4).
- ◆ Περάστε το καλώδιο μία βόλτα μέσα από το σύστημα συγκράτησης καλωδίου (3).
- ◆ Συνδέστε το φως σε μια πρίζα.

Για συνδεδεμένες μονάδες καλωδίου: Βεβαιωθείτε ότι το καλώδιο έχει περάσει μια βόλτα μέσα από το σύστημα συγκράτησης καλωδίου πριν συνδέστε το φως στην ηλεκτρική παροχή.

Προειδοποίηση! Η προέκταση πρέπει να είναι κατάλληλη για χρήση σε εξωτερικό χώρο.

Χρήση

Προειδοποίηση! Αφήστε το εργαλείο να λειτουργήσει με το δικό του ρυθμό. Μην το υπερφορτώνετε.

Ρύθμιση του εργαλείου σε λειτουργία φινιρίσματος η άκρων (εικ. E - G)

Το εργαλείο μπορεί να χρησιμοποιηθεί σε λειτουργία φινιρίσματος χόρτου όπως απεικονίζεται στην εικ. F ή σε λειτουργία φινιρίσματος άκρων, για το κόψιμο του προεξέχοντος χόρτου κατά μήκος του χλοοτάπητα, όπως απεικονίζεται στην εικ. G.

Λειτουργία φινιρίσματος χόρτου (εικ. E & F)

Για τη λειτουργία φινιρίσματος χόρτου, η κεφαλή φινιρίσματος πρέπει να βρίσκεται στη θέση η οποία απεικονίζεται στην εικ. F. Αν όχι:

- ◆ Πιέστε το κομπι ρύθμισης (8).
- ◆ Περιστρέψτε την κεφαλή (14), ενώ απελευθερώνετε το κομπι.

- ♦ Όταν η κεφαλή βρίσκεται στην σωστή θέση, το κουμπί θα ασφαλίσει.

Σημείωση: Ο σωλήνας περιστρέφεται μόνο προς μια κατεύθυνση.

Λειτουργία φινιρίσματος άκρων (εικ. E & G)

Για τη λειτουργία φινιρίσματος άκρων, η κεφαλή φινιρίσματος πρέπει να βρίσκεται στη θέση η οποία απεικονίζεται στην εικ. G. Αν όχι:

- ♦ Πιέστε το κουμπί ρύθμισης (8).
- ♦ Περιστρέψτε την κεφαλή (14), ενώ απελευθερώνετε το κουμπί.
- ♦ Όταν η κεφαλή βρίσκεται στην σωστή θέση, το κουμπί θα ασφαλίσει.

Σημείωση: Ο σωλήνας περιστρέφεται μόνο προς μια κατεύθυνση.

Θέση εντός και εκτός λειτουργίας

- ♦ Για να θέσετε σε λειτουργία το εργαλείο, πατήστε το μοχλό λειτουργίας (1).
- ♦ Για να θέσετε το εργαλείο εκτός λειτουργίας, αφήστε το μοχλό λειτουργίας.

Προειδοποίηση! Ποτέ μην επιχειρήσετε να ασφαλίσετε τον μοχλό λειτουργίας όταν βρίσκεται σε θέση λειτουργίας (on).

Συμβουλές για άριστη χρήση

Γενικές πληροφορίες

- ♦ Για να πετύχετε το καλύτερο δυνατό αποτέλεσμα κοπής, κόβετε το χόρτο μόνο όταν είναι στεγνό.

Φινιρίσμα χόρτου

- ♦ Κρατήστε το εργαλείο όπως απεικονίζεται στην εικ. F.
- ♦ Εργαστείτε κινώντας τη μηχανή φινιρίσματος χόρτου από τη μία πλευρά στην άλλη.
- ♦ Κατά την κοπή χόρτου μεγάλου ύψους, εργαστείτε σε πολλά διαδοχικά περάσματα ξεκινώντας από την κορυφή. Κόβετε λίγο χόρτο κάθε φορά.
- ♦ Φροντίστε η μηχανή να παραμένει μακριά από σκληρά αντικείμενα και από ευαίσθητα φυτά.
- ♦ Αν η μηχανή αρχίσει να ζορίζεται και να κινείται με μικρή ταχύτητα, ελαττώστε το φορτίο.

Φινιρίσμα άκρων (μπορντούρα)

Το καλύτερο αποτέλεσμα κοπής επιτυγχάνεται όταν το βάθος της μπορντούρας είναι μεγαλύτερο από 50 mm.

- ♦ Μη χρησιμοποιείτε τη μηχανή για τη δημιουργία μπορντούρας. Για να δημιουργήσετε μπορντούρα, χρησιμοποιήστε ένα εργαλείο δημιουργίας μπορντούρας.
- ♦ Κρατήστε το εργαλείο όπως απεικονίζεται στην εικ. G.
- ♦ Για να διαμορφώσετε λίγο πιο βαθιά κοπή, γείρετε ελαφρά το εργαλείο.

Συντήρηση

Το εργαλείο σας έχει σχεδιαστεί έτσι ώστε να λειτουργεί για μεγάλη χρονική περίοδο με την ελάχιστη δυνατή συντήρηση. Η αδιάλειπτη και κανονική λειτουργία του εργαλείου εξαρτάται από τη φροντίδα και τον τακτικό καθαρισμό.

Προειδοποίηση! Πριν από οποιαδήποτε εργασία συντήρησης στο εργαλείο, θα πρέπει να το σβήσετε και να το βγάλετε από την πρίζα.

- ♦ Να καθαρίζετε τακτικά τις εγκοπές εξαερισμού του εργαλείου σας χρησιμοποιώντας μαλακή βούρτσα ή στεγνό πανί.
- ♦ Καθαρίζετε τακτικά το νήμα κοπής και την μπομπίνα, χρησιμοποιώντας μαλακή βούρτσα ή στεγνό πανί.
- ♦ Χρησιμοποιείτε τακτικά μια ξύστρα, όχι κοφτερή, για να αφαιρέσετε το χόρτο και τις ακαθαρσίες από το κάτω μέρος του προφυλακτήρα.

Τοποθέτηση μιας νέας πομπίνας νήματος κοπής (εικ. H - J)

Πομπίνα με μόνο νήμα κοπής (εικ. H)

Ο αντιπρόσωπός σας της Black & Decker διαθέτει ανταλλακτικές πομπίνες νήματος κοπής (κωδικός A6481).

- ♦ Κρατήστε τα αυτάκια (16) πατημένα και αφαιρέστε το κάλυμμα της πομπίνας (17) από το περίβλημα (12).
- ♦ Αφαιρέστε την άδεια πομπίνα (18) από το περίβλημα.
- ♦ Αφαιρέστε από το κάλυμμα και το περίβλημα της πομπίνας τυχόν υπολείμματα ακαθαρσιών και χόρτου.
- ♦ Πάρτε τη νέα μπομπίνα και ξετυλίξτε περίπου 9 εκ. νήματος κοπής.
- ♦ Περάστε το νήμα κοπής από την οπή (19).
- ♦ Σπρώξτε την πομπίνα πάνω στον άξονα κίνησης (20) και περιστρέψτε την ελαφρά μέχρι να εφαρμόσει στη θέση της. Βεβαιωθείτε ότι η γραμμή κοπής δεν έχει παγιδευτεί κάτω από την πομπίνα και ότι προεξέχουν περίπου 9 cm νήματος κοπής από το περίβλημα.
- ♦ Ευθυγραμμίστε τις γλωττίδες στο κάλυμμα της πομπίνας με τις οπές που υπάρχουν στο περίβλημα.
- ♦ Σπρώξτε το κάλυμμα πάνω στο περίβλημα μέχρι να ασφαλίσει κανονικά στη θέση του.

Προειδοποίηση! Αν το νήμα κοπής εξέχει πέρα από τη λεπίδα αποκοπής νήματος (10), κόψτε το έτσι ώστε μόλις να φτάνει στη λεπίδα.

Πομπίνα με διπλό νήμα κοπής (εικ. I & J)

Ο αντιπρόσωπός σας της Black & Decker διαθέτει ανταλλακτικές πομπίνες νήματος κοπής (κωδικός A6441). Υπάρχουν επίσης διαθέσιμες πλήρεις κασέτες που περιέχουν μια πομπίνα νήματος κοπής (κωδικός A6488).

- ♦ Κρατήστε τα αυτάκια (21) πατημένα και αφαιρέστε το κάλυμμα της πομπίνας (22) από το περίβλημα (12).

- ♦ Αφαιρέστε την άδεια πομπίνα (23) από το κάλυμμα της πομπίνας.
- ♦ Αφαιρέστε από το κάλυμμα και το περιβλήμα της πομπίνας τυχόν υπολείμματα ακαθαρσιών και χόρτου.
- ♦ Πιάστε τη νέα πομπίνα και σπρώξτε την επάνω στην υποδοχή στο κάλυμμα της πομπίνας. Περιστρέψτε λίγο την πομπίνα μέχρι να πάει στη σωστή θέση.
- ♦ Ξεκουμπώστε το άκρο ενός από τα νήματα κοπής και οδηγήστε το να περάσει μέσα σε ένα από τα μάτια (24) (εικ. Ε). Το νήμα πρέπει να προεξέχει περίπου 9 εκ. από το κάλυμμα της πομπίνας.
- ♦ Ξεκουμπώστε το άκρο του άλλου νήματος κοπής και οδηγήστε το νήμα να περάσει μέσα στο άλλο μάτι. Το νήμα πρέπει να προεξέχει περίπου 9 εκ. από το κάλυμμα της πομπίνας.
- ♦ Ευθυγραμμίστε τα αυτάκια (21) στο κάλυμμα της πομπίνας με τις οπές που υπάρχουν (25) στο περιβλήμα.
- ♦ Σπρώξτε το κάλυμμα πάνω στο περιβλήμα μέχρι να ασφαλισει κανονικά στη θέση του.

Προειδοποίηση! Εάν τα νήματα κοπής εξέρχουν από τη λεπίδα αποκοπής νήματος (10), κόψτε τα προκειμένου να φτάνουν ακριβώς στη λεπίδα.

Τύλιγμα νέου νήματος κοπής σε άδεια πομπίνα (εικ. Κ - Ο)
Μπορείτε να τυλίξετε νέο νήμα κοπής σε άδεια μομπίνα.

Πομπίνα με μονό νήμα κοπής (εικ. Κ & Λ)

Ο αντιπρόσωπός σας της Black & Decker διαθέτει ανταλλακτικά πακέτα νήματος κοπής (κωδικός A6170 (25 m) & A6171 (40 m)).

- ♦ Αφαιρέστε την άδεια μομπίνα από τη μηχανή, όπως περιγράφεται παραπάνω.
- ♦ Αφαιρέστε τυχόν νήμα κοπής το οποίο έχει παραμείνει στην πομπίνα.
- ♦ Τροφοδοτήστε 2 cm νήματος κοπής σε μία από τις οπές (26) της πομπίνας, όπως απεικονίζεται.
- ♦ Λυγίστε το νήμα κοπής και στερεώστε το στην εγκοπή σχήματος L (27).
- ♦ Τυλίξτε το νήμα κοπής στην πομπίνα προς την κατεύθυνση του βέλους (28). Φροντίστε το τύλιγμα του νήματος να γίνει ομαλά και σε ομοιόμορφα στρώματα. Μην τυλίγετε χιαστί.
- ♦ Όταν το τυλιγμένο νήμα κοπής φτάσει στις εσοχές (29), κόψτε το νήμα. Αφήστε το νήμα να εξέρχεται περίπου 9 εκ. από την μομπίνα και κρατήστε το νήμα με το δάχτυλό σας για να μην φύγει από τη θέση του.
- ♦ Τοποθετήστε την μομπίνα στη μηχανή, σύμφωνα με τις οδηγίες που παρατίθενται παραπάνω.

Προειδοποίηση! Χρησιμοποιείτε μόνο νήμα κοπής κατάλληλου τύπου της Black & Decker.

Πομπίνα με διπλό νήμα κοπής (εικ. Μ - Ο)

Ο αντιπρόσωπός σας της Black & Decker διαθέτει ανταλλακτικά πακέτα νήματος κοπής (κωδικός A6440).

- ♦ Αφαιρέστε την άδεια μομπίνα από τη μηχανή, όπως περιγράφεται παραπάνω.
- ♦ Αφαιρέστε τυχόν νήμα κοπής το οποίο έχει παραμείνει στην πομπίνα.
- ♦ Ξεκινήστε τυλιγώντας το νέο νήμα στο επάνω τμήμα της πομπίνας:
 - Τροφοδοτήστε 2 εκ. νήματος κοπής σε μία από τις σχισμές (30) στο επάνω τμήμα της πομπίνας, όπως απεικονίζεται.
 - Τυλίξτε το νήμα κοπής στην πομπίνα προς την κατεύθυνση του βέλους (31). Φροντίστε το τύλιγμα του νήματος να γίνει ομαλά και σε ομοιόμορφα στρώματα. Μην τυλίγετε χιαστί.
 - Όταν το τυλιγμένο νήμα κοπής φτάσει στις εσοχές (32), κόψτε το νήμα.
 - Στερεώστε προσωρινά το νήμα στις σχισμές (33) στο πλάι της πομπίνας, όπως απεικονίζεται.
- ♦ Επαναλάβετε την παραπάνω διαδικασία για το δεύτερο νήμα κοπής στο κάτω τμήμα της πομπίνας. Στερεώστε το νήμα στις σχισμές που δεν χρησιμοποιούνται (33).
- ♦ Τοποθετήστε την μομπίνα στη μηχανή, σύμφωνα με τις οδηγίες που παρατίθενται παραπάνω. Μην παραλείψετε να ελευθερώσετε το νήμα κοπής από τις σχισμές στερέωσης (33).

Προειδοποίηση! Χρησιμοποιείτε μόνο νήμα κοπής κατάλληλου τύπου της Black & Decker. Βεβαιωθείτε ότι υπάρχει νήμα κοπής και στα δύο τμήματα της πομπίνας.

Εντοπισμός και αποκατάσταση προβλημάτων

Αν το εργαλείο δείχνει να μη λειτουργεί κανονικά, ενεργήστε σύμφωνα με τις οδηγίες που ακολουθούν. Αν, παρ' όλα αυτά, το πρόβλημά σας δεν λυθεί, παρακαλούμε επικοινωνήστε με το εξουσιοδοτημένο σέρβις της Black & Decker της περιοχής σας.

Προειδοποίηση! Πριν συνεχίσετε, βγάλτε το εργαλείο από την πρίζα.

Το εργαλείο λειτουργεί σε χαμηλή ταχύτητα

- ♦ Ελέγξτε αν το περιβλήμα της πομπίνας περιστρέφεται ελεύθερα. Καθαρίστε το προσεκτικά, αν χρειάζεται.
- ♦ Βεβαιωθείτε ότι το νήμα κοπής δεν εξέρχεται περισσότερο από 10-12 εκ. από το περιβλήμα της πομπίνας. Αν το μήκος που εξέρχεται είναι μεγαλύτερο, κόψτε το ώστε μόλις να φτάνει τη λεπίδα αποκοπής νήματος.

Δε λειτουργεί η αυτόματη τροφοδοσία νήματος

- ♦ Κρατήστε τα αυτάκια πατημένα και αφαιρέστε το κάλυμμα της πομπίνας από το περιβλήμα.

- Τραβήξτε το νήμα κοπής, έως ότου προεξέχει 9 εκ. από το περιβλήμα. Αν το τμήμα που έχει μείνει πάνω στην πομπίνα δεν είναι επαρκές, τοποθετήστε νέα πομπίνα νήματος κοπής σύμφωνα με τις οδηγίες που παρατίθενται παραπάνω.
- Ευθυγραμμίστε τα ατάρκια στο κάλυμμα της πομπίνας με τις σπές που υπάρχουν στο περιβλήμα.
- Σπρώξτε το κάλυμμα πάνω στο περιβλήμα μέχρι να ασφαλίσει κανονικά στη θέση του.
- Αν το νήμα κοπής εξέχει πέρα από τη λεπίδα αποκοπής νήματος, κόψτε το έτσι ώστε μόλις να φτάνει στη λεπίδα.

Αν η αυτόματη τροφοδοσία νήματος εξακολουθεί να μην λειτουργεί ή η πομπίνα έχει μπλοκάρει, ακολουθήστε τις παρακάτω ενέργειες:

- Καθαρίστε προσεκτικά το κάλυμμα και το περιβλήμα της πομπίνας.
- Αφαιρέστε την πομπίνα και ελέγξτε αν ο μοχλός μπορεί να κινηθεί ελεύθερα.
- Αφαιρέστε την πομπίνα και ξετυλίξτε το νήμα κοπής, και στη συνέχεια τυλίξτε το προσεκτικά και πάλι, σύμφωνα με την παραπάνω περιγραφή. Αντικαταστήστε την πομπίνα σύμφωνα με τις οδηγίες.

ΔΙΑΘΕΣΗ ΕΡΓΑΛΕΙΩΝ ΚΑΙ ΠΕΡΙΒΑΛΛΟΝ



Ξεχωριστή συλλογή. Αυτό το προϊόν δεν πρέπει να απορριφθεί με συνηθισμένα σπτικά απορρίμματα.

Εάν κάποια μέρα διαπιστώσετε ότι το προϊόν σας Black & Decker χρειάζεται αντικατάσταση ή δεν σας χρησιμεύει πλέον, μην το απορρίψετε με τα σπτικά απορρίμματα. Κάντε αυτό το προϊόν διαθέσιμο για ξεχωριστή συλλογή.



Η ξεχωριστή συλλογή χρησιμοποιημένων προϊόντων και συσκευασιών επιτρέπει την ανακύκλωση υλικών. Η επανάχρηση ανακυκλωμένων υλικών βοηθάει την προστασία του περιβάλλον και μειώνει την ζήτηση για σπάνια υλικά.

Οι τοπικοί κανονισμοί μπορεί να παρέχουν ξεχωριστή συλλογή ηλεκτρικών προϊόντων από κατοικίες, δημοτικές τοποθεσίες απορριμμάτων ή από τον έμπορα όταν αγοράσατε το καινούργιο προϊόν.

Η Black & Decker δίνει τη δυνατότητα συλλογής και ανακύκλωσης των προϊόντων της που έχουν συμπληρώσει τη διάρκεια ζωής τους. Αν θέλετε να χρησιμοποιήσετε την εν λόγω υπηρεσία, επιστρέψτε το προϊόν σας σε οποιοδήποτε εξουσιοδοτημένο κέντρο επισκευών, όπου θα το παραλάβουν εκ μέρους σας.

Ενημερωθείτε για το πλησιέστερο κέντρο επισκευών της περιοχής σας, επικοινωνώντας με τα γραφεία της Black & Decker στη διεύθυνση που αναγράφεται στο εγχειρίδιο. Επίσης, για να πληροφορηθείτε τα εξουσιοδοτημένα κέντρα επισκευών της Black & Decker και τις λεπτομέρειες και τους αρμόδιους των υπηρεσιών που παρέχονται μετά την πώληση, μπορείτε να ανατρέξετε στο Διαδίκτυο στη διεύθυνση: www.2helpU.com

Τεχνικά χαρακτηριστικά

		GL301	GL315	GL350
Τάση	VAC	230	230	230
Ισχύς εισόδου	W	300	320	350
Ταχύτητα άφρορτου κίνησης	min-1	10.000	10.000	10.000
Βάρος	kg	2,2	2,2	2,2

Δήλωση συμμόρφωσης με την Ευρωπαϊκή Κοινότητα

GL301/GL315/GL350

H Black & Decker δηλώνει ότι τα προϊόντα αυτά συμμορφώνονται με:

98/37/EOK, 89/336/EOK, 73/23/EOK, EN 60335, EN 55014, EN 61000

2000/14/EOK, Χλοοκοπτικό μηχανήμα, L <50, Παράρτημα VIII, Αρ. 499

SNCH, L-5230 Sandweiler, Luxembourg

Στάθμη πίεσης ήχου, μετρημένη σύμφωνα με το πρότυπο EN ISO 3744:

L_{pA} (πίεση ήχου) 81 dB(A), L_{WA} (ακουστική ισχύς) 95 dB(A),

L_{WA} (εγγυημένη) 96 dB(A)

Τμή χειροβραχιονικής δόνησης σύμφωνα με το πρότυπο EN 786: 3,86 m/s²

Kevin Hewitt

Διευθυντής Εξυπηρέτησης Πελατών
Spennymoor, County Durham DL16 6JG,
Αγγλία
1-8-2005

Αρ. εφαρμογής σχεδιασμού για την Ευρωπαϊκή Ένωση 388756

Εγγύηση

Η Black & Decker είναι σίγουρη για την ποιότητα των προϊόντων της και παρέχει σημαντική εγγύηση. Η παρούσα γραπτή εγγύηση αποτελεί πρόσθετο δικαίωμά σας και δεν ζημιώνει τα συνταγματικά σας δικαιώματα. Η εγγύηση ισχύει εντός της επικράτειας των Κρατών Μελών της Ευρωπαϊκής Ένωσης και της Ευρωπαϊκής Ζώνης Ελευθέρων Συναλλαγών.

Σε περίπτωση που κάποιο προϊόν της Black & Decker παρουσιάσει βλάβη εξαιτίας ελαττωματικών υλικών, ποιότητας εργασίας ή έλλειψης συμφωνίας με τις προδιαγραφές εντός 24 μηνών από την ημερομηνία αγοράς, η Black & Decker εγγυάται την αντικατάσταση των ελαττωματικών τμημάτων, την επισκευή προϊόντων που έχουν υποστεί εύλογη φθορά λόγω χρήσης ή την αντικατάσταση των προϊόντων προκειμένου να εξασφαλιστεί την ελάχιστη ενόχληση στους πελάτες της, εκτός αν:

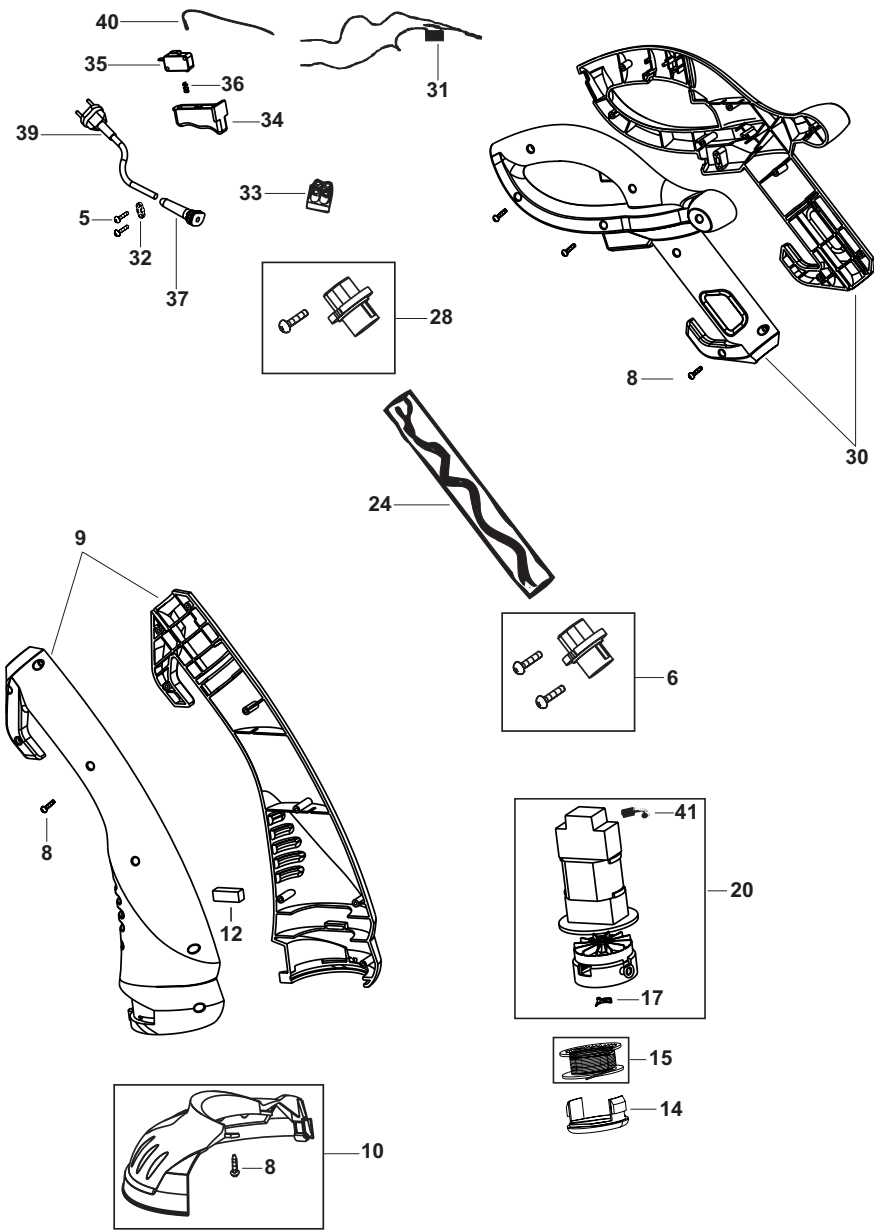
- ♦ Το προϊόν έχει χρησιμοποιηθεί σε εργασιακό, επαγγελματικό περιβάλλον ή αν έχει ενοικιαστεί
- ♦ Έχει γίνει εσφαλμένη χρήση του προϊόντος ή αν έχει παραμεληθεί
- ♦ Το προϊόν έχει υποστεί βλάβη από άλλα αντικείμενα, από ουσίες ή λόγω ατυχήματος
- ♦ Έχει γίνει προσπάθεια επισκευής από μη εξουσιοδοτημένα κέντρα επισκευών ή από προσωπικό που δεν ανήκει στο προσωπικό της Black & Decker

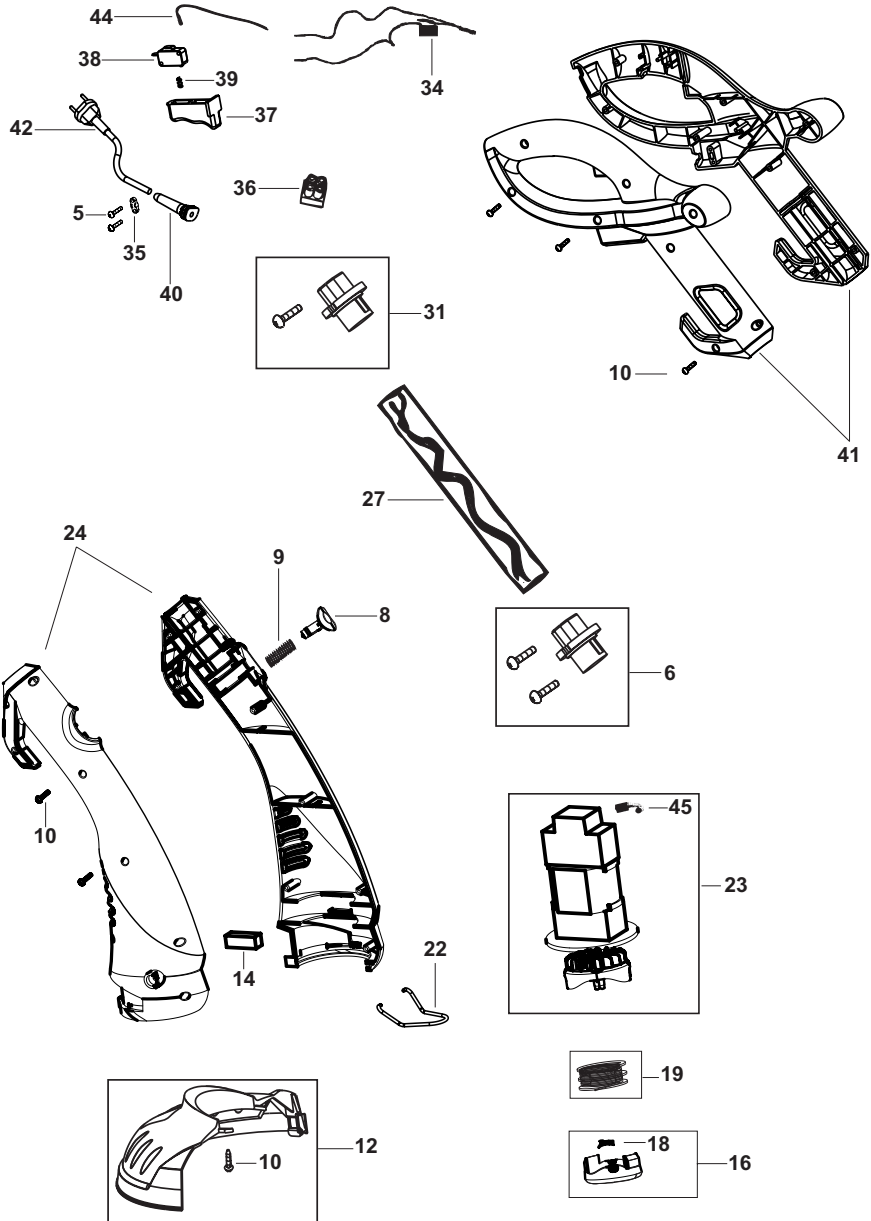
Για να ισχύσει η εγγύηση, πρέπει να υποβάλετε απόδειξη αγοράς στον πωλητή ή το εξουσιοδοτημένο κέντρο επισκευών. Ενημερωθείτε για το πλησιέστερο κέντρο επισκευών της περιοχής σας, επικοινωνώντας με τα γραφεία της Black & Decker στη διεύθυνση που αναγράφεται στο εγχειρίδιο. Επίσης, για να πληροφορηθείτε για τα εξουσιοδοτημένα κέντρα επισκευών της Black & Decker, τις λεπτομέρειες και τους αρμόδιους των υπηρεσιών που παρέχονται μετά την πώληση, μπορείτε να ανατρέξετε στο Διαδίκτυο στη διεύθυνση:

www.2helpU.com

Παρακαλούμε να επισκεφτείτε την ιστοσελίδα μας www.blackanddecker.com για να καταχωρήσετε το νέο σας προϊόν Black & Decker και για να ενημερώνεστε για τα νέα προϊόντα και τις ειδικές προσφορές. Περισσότερες πληροφορίες σχετικά με τη μάρκα Black & Decker και τη σειρά προϊόντων μας θα βρείτε στη διεύθυνση

www.blackanddecker.com





Australia	Black & Decker (Australia) Pty. Ltd. 20 Fletcher Road, Mooroolbark, Victoria, 3138	Tel. 03-8720 5100 Fax 03-9727 5940
België/Belgique	Black & Decker (Belgium) N.V. Campus Noord, Schaliënhoevedreef 20E 2800 Mechelen	Tel. 015 - 47 92 11 Fax 015 - 47 92 10
Danmark	Black & Decker Sluseholmen 2-4, 2450 København SV Internet: www.blackanddecker.dk	Tel. 70 20 15 15 Fax 36 94 49 01
Deutschland	Black & Decker GmbH Black & Decker Str. 40, D - 65510 Idstein	Tel. 06126/21 - 0 Fax 06126/21 29 80
Ελλάδα	Black & Decker (Ελλάς) Α.Ε. Στράβωνος 7 & Λεωφ. Βουλιαγμένης 159 166 74 Γλυφάδα - Αθήνα	Τηλ. 210 8981616 Φαξ 210 8983285 www.blackanddecker.gr
España	Black & Decker Ibérica, S.C.A. Parque de Negocios "Mas Blau" Edificio Muntadas, c/Bergadá, 1, Of. A6 08820 El Prat de Llobregat (Barcelona)	Tel. 934 797 400 Fax 934 797 419
France	Black & Decker (France) S.A.S. B.P. 21, 69571 Dardilly Cédex	Tel. 04 72 20 39 20 Fax 04 72 20 39 00
Helvetia	RÖFO AG Gewerbezone Seeblick 3213 Kleinbösinggen	Tel. 026-6749391 Fax 026-6749394
Italia	Black & Decker Italia SpA Viale Elvezia 2 20052 Monza (MI)	Tel. 039-23871 Fax 039-2387592/2387594 Numero verde 800-213935
Nederland	Black & Decker Benelux Joulehof 12, 4622 RG Bergen op Zoom	Tel. 0164 - 283000 Fax 0164 - 283100
New Zealand	Black & Decker 81 Hugo Johnston Drive Penrose, Auckland, New Zealand	Tel. 09 579 7600 Fax 09 579 8200
Norge	Black & Decker (Norge) A/S Postboks 4814, Nydalen, 0422 Oslo Internet: www.blackanddecker.no	Tif. 22 90 99 00 Fax 22 90 99 01
Österreich	Black & Decker Vertriebsges.m.b.H Erlaaerstraße 165, 1231 Wien	Tel. 01 66116-0 Fax 01 66116-14
Portugal	Black & Decker Rua Egas Moniz 173 S. João do Estoril 2766-651 Estoril	Tel. 214667500 Fax 214667575
Suomi	Black & Decker Oy Keilasatama 3, 02150 Espoo Black & Decker Oy, Kägelhamnen 3, 02150 Esbo	Puh.: 010 400 430 Faksi: (09) 2510 7100 Tel: 010 400 430 Fax: (09) 2510 7100
Sverige	Black & Decker AB Fabriksg. 7, 412 50 Göteborg	Tel: 031-68 60 60 Fax: 031-68 60 80
Türkiye	İntratek Mühendislik ve Dış Tic. A.Ş. Atatürk Mah. Girne Cad. No. 45 34750 Küçükbakkalköy Kadıköy İstanbul	Tel. 0216 456 60 60 Faks 0216 456 60 84
United Kingdom	Black & Decker 210 Bath Road Slough, Berkshire SL1 3YD	Tel. 01753 511234 Fax 01753 551155 Helpline 01753 574277
Middle East & Africa	Black & Decker (Overseas) A.G. PB 5420, Dubai, United Arab Emirates	Tel. +971 4 2826464 Fax +971 4 2826466

Dealer address
Händleradresse
Cachet du revendeur
Indirizzo del rivenditore
Adres van de dealer
Dirección del detallista
Morada do revendedor
Återförsäljarens adress
Forhandlens adresse
Forhandler adresse
Jälleenmyyjän osoite
Διεύθυνση αντιπροσώπου

◆ Name ◆ Nom ◆ Nome
◆ Naam ◆ Nombre ◆ Nome ◆ Namn
◆ Navn ◆ Navn ◆ Nimi ◆ Ovojna:

◆ Address ◆ Adresse ◆ Adresse ◆ Indirizzo ◆
Adres ◆ Dirección ◆ Morada ◆ Address ◆
Adresse ◆ Adresse ◆ Osoite ◆ Διεύθυνση:

◆ Town ◆ Ort ◆ Ville ◆ Città ◆ Plaats
◆ Ciudad ◆ Localidade ◆ Ort ◆ By ◆ By
◆ Paikkakunta ◆ Πόλη:

◆ Postal code ◆ Postleitzahl ◆ Code postal ◆
Codice postale ◆ Postcode
◆ Código ◆ Código postal ◆ Postnr.
◆ Postnr. ◆ Postnr. ◆ Postnummero
◆ Κωδικός

◆ Is this tool a gift? ◆ Ist dieses Gerät ein
Geschenk? ◆ S'agit-il d'un cadeau? ◆ Si tratta
di un regalo? ◆ Kreeg u de machine als cadeau?
◆ ¿Ha recibido usted esta herramienta como
regalo? ◆ Reçebeu esta ferramenta como
presente? ◆ Är verktyget en gåva?
◆ Er verktoyet en gave? ◆ Er verktojet en gave?
◆ Onko kone lahja? ◆ Το εργαλείο είναι δώρο?

◆ Yes ◆ Ja ◆ Oui ◆ Si ◆ Ja ◆ Si ◆
◆ Sim ◆ Ja ◆ Ja ◆ Ja ◆ Kyllä ◆ Nαι
 ◆ No ◆ Nein ◆ Non ◆ No ◆ Nee
◆ No ◆ Não ◆ Nej ◆ Nei ◆ Nej
◆ Ei ◆ Oxi

◆ Is this tool your first purchase? ◆ Ist dieses
Gerät ein Erstkauf? ◆ Est-ce un 1er achat? ◆
Questo prodotto è il suo primo acquisto? ◆ Is
deze machine uw eerste aankoop? ◆ ¿Es esta
herramienta la primera de este tipo?
◆ Esta ferramenta é a primeira compra? ◆
Är detta ditt första B&D-verktyg? ◆ Er dette ditt
første B&D verktoy? ◆ Er dette dit første B&D
verktøj? ◆ Onko tämä ensimmäinen B&D-

Date of purchase
Kaufdatum
Date d'achat
Data d'acquisto
Aankoopdatum
Fecha de compra
Data de compra
Inkõpsdatum
Innkjøpsdato
Indkøbsdato
Osttopäivä
Ημερομηνία αγοράς

koneesi? ◆ Είναι το εργαλείο αυτό η
πρώτη σας αγορά?

◆ Yes ◆ Ja ◆ Oui ◆ Si ◆ Ja ◆ Si
◆ Sim ◆ Ja ◆ Ja ◆ Ja ◆ Kyllä ◆ Nαι
 ◆ No ◆ Nein ◆ Non ◆ No ◆ Nee
◆ No ◆ Não ◆ Nej ◆ Nei ◆ Nej
◆ Ei ◆ Oxi

◆ Dealer address ◆ Händleradresse
◆ Cachet du revendeur ◆ Indirizzo del
rivenditore ◆ Adres van de dealer
◆ Dirección del detallista ◆ Morada do
revendedor ◆ Återförsäljarens adress
◆ Forhandlens adresse ◆ Forhandler adresse
◆ Jälleenmyyjän osoite
◆ Διεύθυνση αντιπροσώπου

Cat. no.:



◆ Data protection act: Tick the box if you prefer
not to receive further information. ◆ Bitte
ankreuzen, falls Sie keine weiteren
Informationen erhalten möchten. ◆ Si vous ne
souhaitez pas recevoir d'informations, cochez
cette case. ◆ Barrate la casella se non
desiderate ricevere informazioni.
◆ A.u.b. dit vakje aankruisen indien u geen
informatie wenst te ontvangen.
◆ Señale en la casilla sino quiere recibir
información. ◆ Por favor, assinala com uma cruz
se não desejar receber informação. ◆ Vänligen
kryssa för i rutan om Ni inte vill ha information.
◆ Venligst kryss av dersom du ikke ønsker
informasjon. ◆ Venligst sæt kryds i ruden
såfremt De ikke måtte ønske at modtage
information.

◆ Merkitkää rasti ruutuun, mikäli ette halua
vastaanottaa informaatiota.
◆ Παρακαλείστε να σημειώσετε εάν δεν θέλετε
να πάρετε πληροφορίες.

- ◆ GUARANTEE CARD
- ◆ GARANTIEKAART
- ◆ GARANTI KORT
- ◆ GARANTIEKARTE
- ◆ TARJETA DE GARANTÍA
- ◆ GARANTI KORT
- ◆ CARTE DE GARANTIE
- ◆ CARTÃO DE GARANTIA
- ◆ TAKUUKORTTI
- ◆ TAGLIANDO DI GARANZIA
- ◆ GARANTIBEVIS
- ◆ KAPTA ΕΓΓΥΗΣΗΣ



English

Please complete this section immediately after the purchase of your tool and send it to Black & Decker in your country. If you live in Australia or New Zealand, please register by using the alternative guarantee card supplied.

Deutsch

Bitte schneiden Sie diesen Abschnitt ab, stecken ihn in einen frankierten Umschlag und schicken ihn an die Black & Decker Adresse Ihres Landes.

Français

Découpez cette partie et envoyez-la sous enveloppe timbrée à l'adresse de Black & Decker dans votre pays, ceci immédiatement après votre achat.

Italiano

Per favore ritagliate questa parte, inseritela in una busta con francobollo e spedite la subito dopo l'acquisto del prodotto all'indirizzo della Black & Decker nella vostra nazione.

Nederlands

Knip dit gedeelte uit en zend het direct na aankoop in een gefrankeerde, geaddresseerde envelop naar het adres van Black & Decker in uw land.

Español

Después de haber comprado su herramienta envíe usted, por favor, esta tarjeta a la central de Black & Decker en su país.

Português

Por favor, recorte esta parte, coloque-a num envelope selado e endereçado e envie-o logo após a compra do seu produto para o endereço da Black & Decker do seu país.

Svenska

Var vänlig klipp ur denna del och sänd den i ett frankerat kuvert till Black & Deckers adress i Ditt land.

Norsk

Vennligst klipp ut denne delen umiddelbart etter du har pakket ut ditt produkt og legg det i en adressert konvolutt til Black & Decker (Norge) AS.

Dansk

Venligst klip denne del ud og send frankeret til Black & Decker i dit land.

Suomi

Leikkaa iri tämä osa, laita se kuoreen ja postita kuori paikalliseen Black & Decker osoitteeseen.

Ελληνικά

Παράκατω κόψτε αυτό το κομμάτι και ταχυδρομήστε το μέσω της μετὰ την αγορά του προϊόντος σας στην διεύθυνση της Black & Decker στην Ελλάδα.