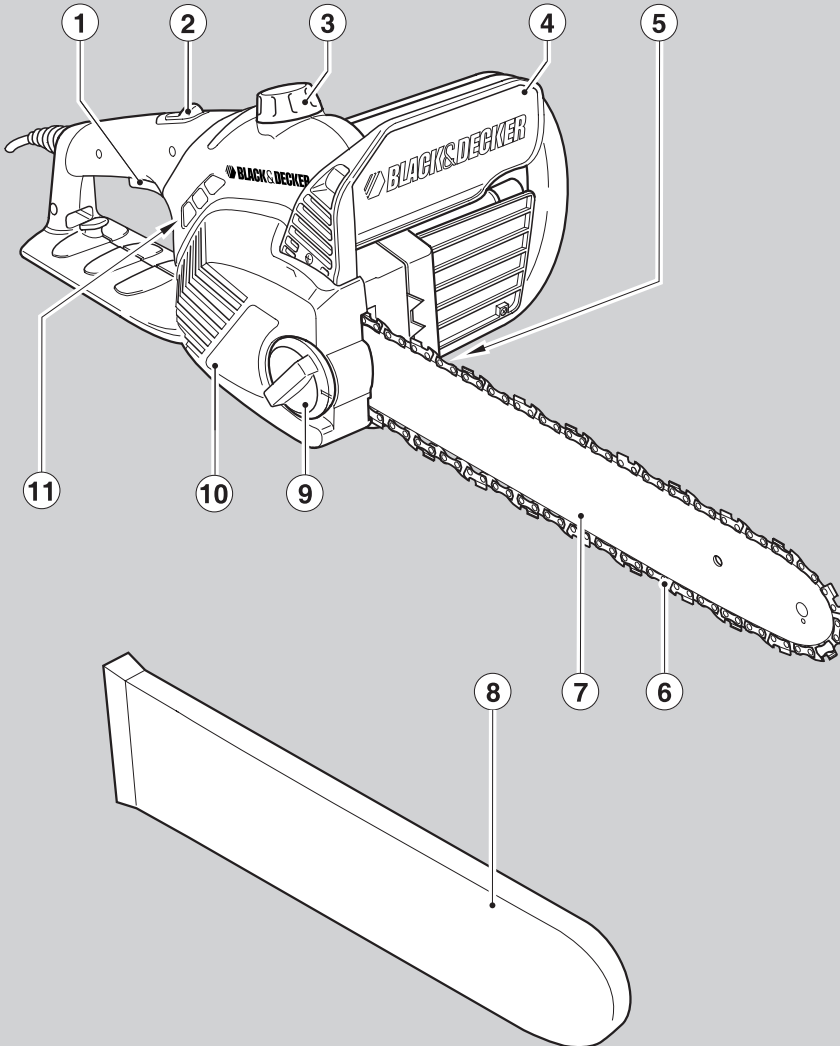


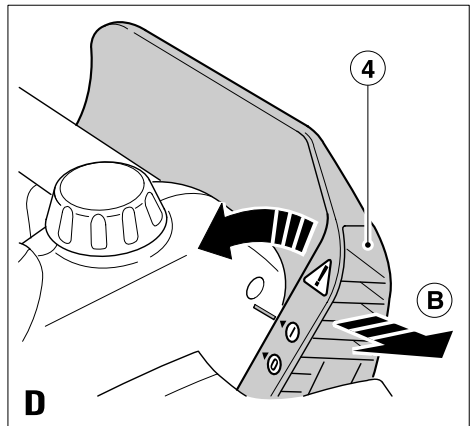
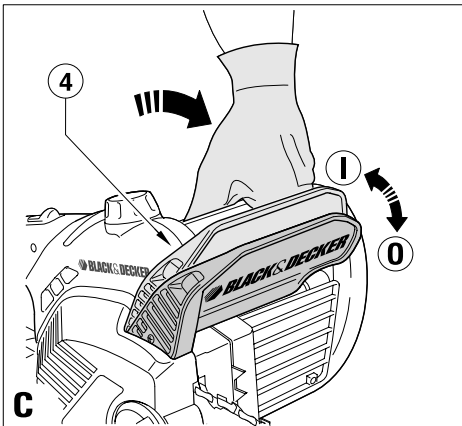
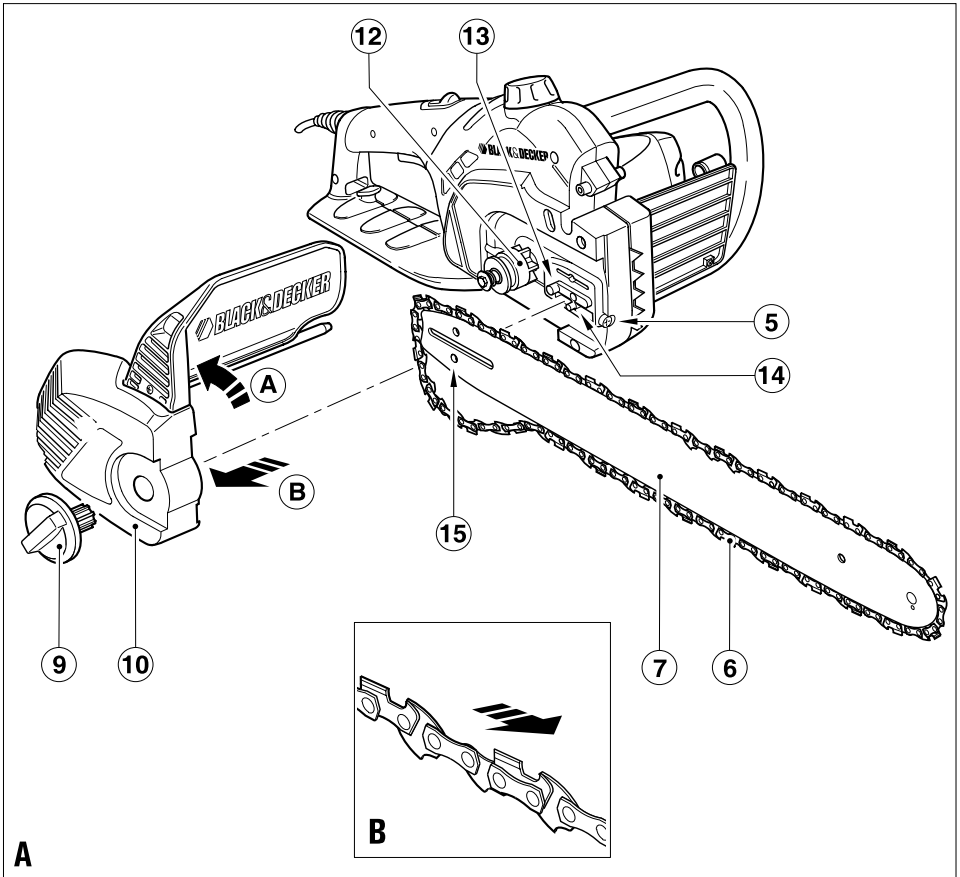


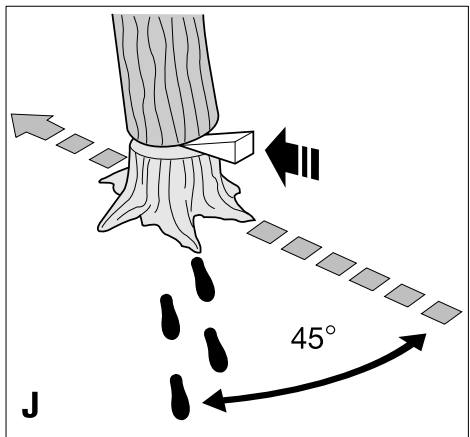
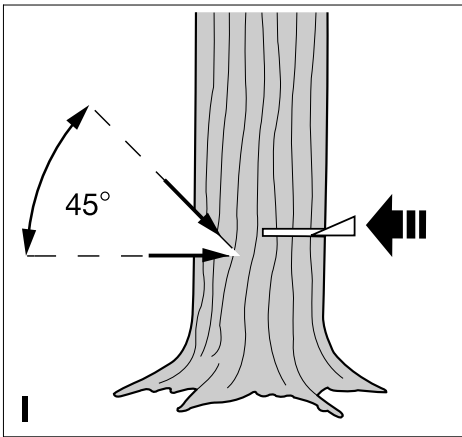
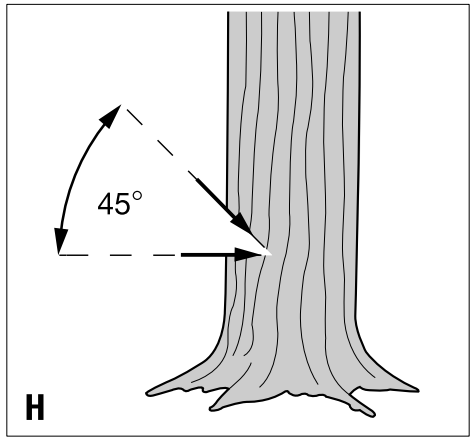
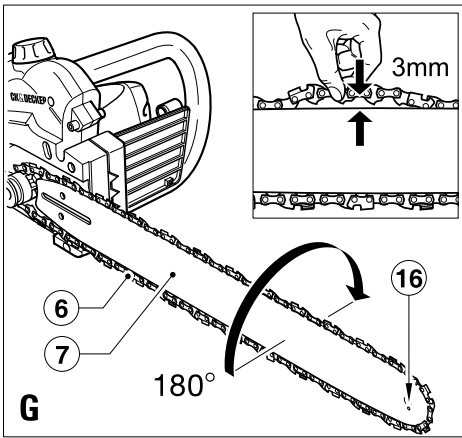
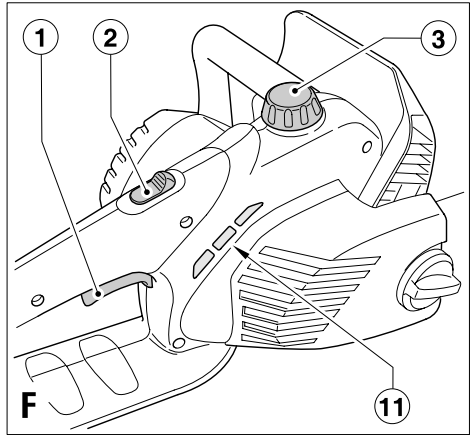
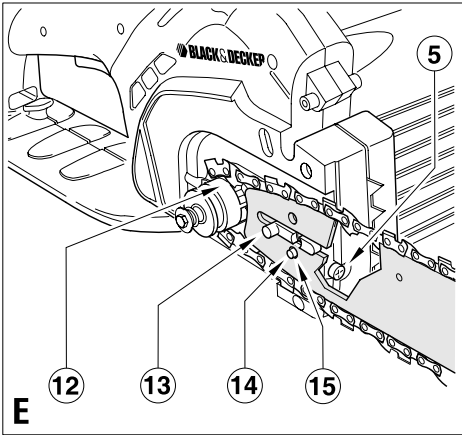
BLACK & DECKER®

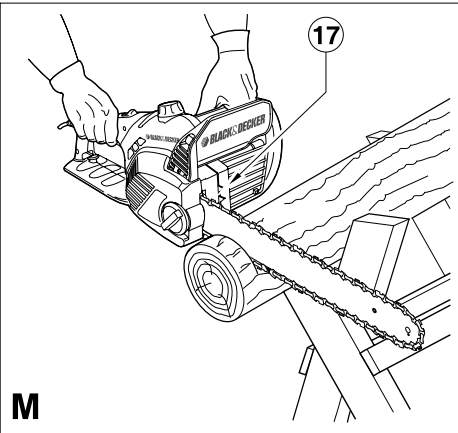
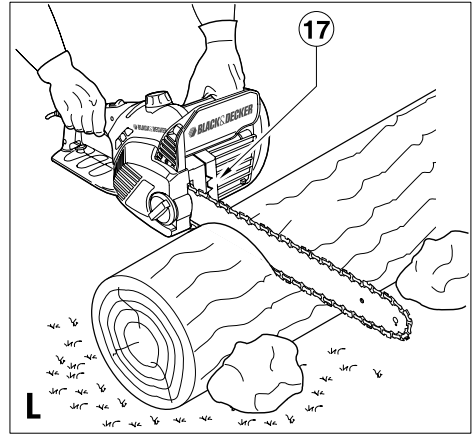
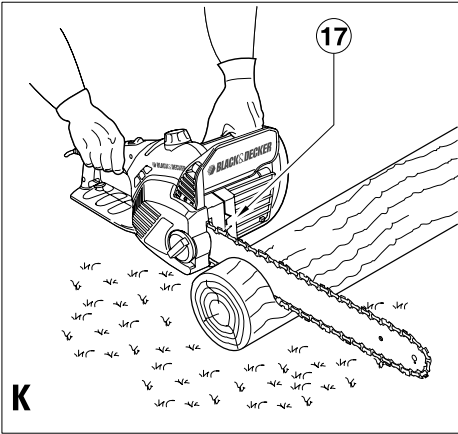
www.blackanddecker.au



English	5
Deutsch	12
Français	21
Italiano	29
Nederlands	37
Español	45
Português	53
Svenska	61
Norsk	68
Dansk	75
Suomi	83
Ελληνικά	90







Intended use

Your Black & Decker chainsaw has been designed for pruning and felling trees and cutting logs. This tool is intended for consumer use only.

General safety rules

Warning! Read all instructions. Failure to follow all instructions listed below may result in electric shock, fire and/or serious injury. The term "power tool" in all of the warnings listed below refers to your mains operated (corded) power tool or battery operated (cordless) power tool.

SAVE THESE INSTRUCTIONS.

1. Work area

- a. **Keep work area clean and well lit.** Cluttered and dark areas invite accidents.
- b. **Do not operate power tools in explosive atmospheres, such as in the presence of flammable liquids, gases or dust.** Power tools create sparks which may ignite the dust or fumes.
- c. **Keep children and bystanders away while operating a power tool.** Distractions can cause you to lose control.

2. Electrical safety

- a. **Power tool plugs must match the outlet. Never modify the plug in any way. Do not use any adapter plugs with earthed (grounded) power tools.** Unmodified plugs and matching outlets will reduce risk of electric shock.
- b. **Avoid body contact with earthed or grounded surfaces such as pipes, radiators, ranges and refrigerators.** There is an increased risk of electric shock if your body is earthed or grounded.
- c. **Do not expose power tools to rain or wet conditions.** Water entering a power tool will increase the risk of electric shock.
- d. **Do not abuse the cord. Never use the cord for carrying, pulling or unplugging the power tool. Keep cord away from heat, oil, sharp edges or moving parts.** Damaged or entangled cords increase the risk of electric shock.
- e. **When operating a power tool outdoors, use an extension cord suitable for outdoor use.** Use of a cord suitable for outdoor use reduces the risk of electric shock.

3. Personal safety

- a. **Stay alert, watch what you are doing and use common sense when operating a power tool. Do not use a power tool while you are tired or under the influence of drugs, alcohol or medication.** A moment of inattention while operating power tools may result in serious personal injury.
- b. **Use safety equipment. Always wear eye protection.** Safety equipment such as dust mask, non-skid safety shoes, hard hat, or hearing protection used for appropriate conditions will reduce personal injuries.

- c. **Avoid accidental starting. Ensure the switch is in the off position before plugging in.** Carrying power tools with your finger on the switch or plugging in power tools that have the switch on invites accidents.
 - d. **Remove any adjusting key or wrench before turning the power tool on.** A wrench or a key left attached to a rotating part of the power tool may result in personal injury.
 - e. **Do not overreach. Keep proper footing and balance at all times.** This enables better control of the power tool in unexpected situations.
 - f. **Dress properly. Do not wear loose clothing or jewellery. Keep your hair, clothing and gloves away from moving parts.** Loose clothes, jewellery or long hair can be caught in moving parts.
 - g. **If devices are provided for the connection of dust extraction and collection facilities, ensure these are connected and properly used.** Use of these devices can reduce dust related hazards
- #### 4. Power tool use and care
- a. **Do not force the power tool. Use the correct power tool for your application.** The correct power tool will do the job better and safer at the rate for which it was designed.
 - b. **Do not use the power tool if the switch does not turn it on and off.** Any power tool that cannot be controlled with the switch is dangerous and must be repaired.
 - c. **Disconnect the plug from the power source before making any adjustments, changing accessories, or storing power tools.** Such preventive safety measures reduce the risk of starting the power tool accidentally.
 - d. **Store idle power tools out of the reach of children and do not allow persons unfamiliar with the power tool or these instructions to operate the power tool.** Power tools are dangerous in the hands of untrained users.
 - e. **Maintain power tools. Check for misalignment or binding of moving parts, breakage of parts and any other condition that may affect the power tools operation. If damaged, have the power tool repaired before use.** Many accidents are caused by poorly maintained power tools.
 - f. **Keep cutting tools sharp and clean.** Properly maintained cutting tools with sharp cutting edges are less likely to bind and are easier to control.
 - g. **Use the power tool, accessories and tool bits etc., in accordance with these instructions and in the manner intended for the particular type of power tool, taking into account the working conditions and the work to be performed.** Use of the power tool for operations different from those intended could result in a hazardous situation.

5. Service

- a. **Have your power tool serviced by a qualified repair person using only identical replacement parts.** This will ensure that the safety of the power tool is maintained.

Additional safety instructions for the chainsaw

- ◆ **Keep all parts of the body away from the saw chain when the chainsaw is operating. Before you start the chainsaw, make sure the saw chain is not contacting anything.** A moment of inattention while operating the chainsaw may cause entanglement of your clothing or body with the chainsaw.
- ◆ **Always hold the chainsaw with your right hand on the rear handle and your left hand on the front handle.** Holding the chainsaw with the reversed hand configuration increases the risk of personal injury and should never be done.
- ◆ **Wear safety glasses and hearing protection. Further protective equipment for head, hands, legs and feet is recommended.** Adequate protective clothing will reduce personal injury by flying debris or accidental contact with the saw chain.
- ◆ **Do not operate a chainsaw in a tree.** Operation of a chainsaw while up in a tree may result in personal injury.
- ◆ **Always keep proper footing and operate the chainsaw only when standing on fixed, secure and level surface.** Slippery or unstable surfaces such as ladders may cause a loss of balance or control of the chainsaw.
- ◆ **When cutting a limb that is under tension be alert for spring back.** When the tension in the wood fibres is released the spring loaded limb may strike the operator and/or throw the chainsaw out of control.
- ◆ **Use extreme caution when cutting brush and saplings.** The slender material may catch the saw chain and be whipped toward you or pull you off balance.
- ◆ **Carry the chainsaw by the front handle with the chainsaw switched off and away from your body. When transporting or storing the chainsaw always fit the guide bar cover.** Proper handling of the chainsaw will reduce the likelihood of accidental contact with the moving saw chain.
- ◆ **Follow instructions for lubricating, chain tensioning and changing accessories.** Improperly tensioned or lubricated chain may either break or increase the chance for kickback.
- ◆ **Keep handles dry, clean, and free from oil and grease.** Greasy, oily handles are slippery causing loss of control.
- ◆ **Cut wood only. Do not use chainsaw for purposes not intended. For example: do not use the chainsaw for cutting plastic, masonry or non-wood building materials.** Use of the chainsaw for operations different than intended could result in a hazardous situation.

Causes and operator prevention of kickback:

Kickback may occur when the nose or tip of the guide bar touches an object, or when the wood closes in and pinches the saw chain in the cut.

Tip contact in some cases may cause a sudden reverse reaction, kicking the guide bar up and back towards the operator.

Pinching the saw chain along the top of the guide bar may push the guide bar rapidly back towards the operator.

Either of these reactions may cause you to lose control of the chainsaw which could result in serious personal injury. Do not rely exclusively upon the safety devices built into your chainsaw. As a chainsaw user, you should take several steps to keep your cutting jobs free from accident or injury.

Kickback is the result of tool misuse and / or incorrect operating procedures or conditions and can be avoided by taking proper precautions as given below:

- ◆ **Maintain a firm grip, with thumbs and fingers encircling the chainsaw handles. With both hands on the chainsaw, position your body and arm to allow you to resist kickback forces.** Kickback forces can be controlled by the operator, if proper precautions are taken. Do not let go of the chainsaw.
- ◆ **Do not overreach and do not cut above shoulder height.** This helps prevent unintended tip contact and enables better control of the chainsaw in unexpected situations.
- ◆ **Only use replacement guide bars and chains specified by the manufacturer.** Incorrect replacement guide bars and chains may cause chain breakage and/or kickback.
- ◆ **Follow the manufacturer's sharpening and maintenance instructions for the saw chain.** Decreasing the depth gauge height can lead to increased kickback.

Safety recommendations for the chainsaw

- ◆ We strongly recommend that first time users obtain practical instruction in the use of the chainsaw and protective equipment from an experienced user. Initial practice should be completed sawing logs on a saw horse or cradle.
- ◆ We recommend that when carrying the chainsaw that you make sure that the brake is engaged
- ◆ Maintain your chainsaw when not in use. Do not store your chainsaw for any length of time without first removing the saw chain and guide bar which should be kept immersed in oil. Store all parts of your chainsaw in a dry, secure place out of reach of children.
- ◆ We recommend you drain the oil reservoir prior to storage.
- ◆ Be sure of your footing and pre-plan a safe exit from a falling tree or branches.
- ◆ Use wedges to help control felling and prevent binding the guide bar and saw chain in the cut.

- ◆ Saw chain care. Keep the saw chain sharp and snug on the guide bar. Ensure the saw chain and guide bar are clean and well oiled. Keep handles dry, clean and free from oil and grease.

Kickback can be caused by:

- ◆ Striking branches or other objects accidentally with a tip of the saw while the saw chain is moving.
- ◆ Striking metal, cement or any other hard material near the wood, or buried in the wood.
- ◆ A dull or loose chain.
- ◆ Cutting above shoulder height.
- ◆ Lack of attention when holding or guiding the chainsaw while cutting.
- ◆ Over-reaching. Keep proper footing and balance at all times and do not overreach.
- ◆ Do not try to insert into a previous cut. As this could cause kickback. Make a fresh cut every time.
- ◆ We strongly recommend you do not attempt to operate your chainsaw while in a tree, on a ladder or on any other unstable surface. If you decide to do so, be advised that these positions are extremely dangerous.
- ◆ When cutting a branch that is under tension, be alert for spring back so that you will not be struck when the tension is released.

Avoid cutting:

- ◆ Prepared timber.
- ◆ Into the ground.
- ◆ Into wire fences, nails, etc.
- ◆ Into small sized brush and saplings because slender material may catch the saw chain and be whipped towards you, or pull you off balance.
- ◆ Do not use your chainsaw above shoulder height.
- ◆ Ensure someone is nearby (but at a safe distance) in case of an accident.
- ◆ If for any reason you have to touch the saw chain, make sure your chainsaw is disconnected from the mains.
- ◆ The noise from this product can exceed 85 dB(A).
- ◆ We therefore recommend you take appropriate measures for the protection of hearing.

The following warning symbols are found on your tool:



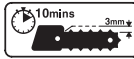
Read all of this manual carefully.



Do not use your saw in wet conditions or expose it to rain.



Always wear ear and eye protection.



Check the chain tension after every 10 minutes of use. Adjust back to a clearance of 3 mm.



Always remove the plug from the socket before inspecting a damaged cable. Be careful not to use your chainsaw if the cable is damaged.



The noise from this product can exceed 85 dB(A).

Electrical safety



This tool is double insulated; therefore no earth wire is required. Always check that the power supply corresponds to the voltage on the rating plate.

Additional safety instructions

- ◆ This appliance is not intended for use by young or infirm persons without supervision. Children must be supervised to ensure they do not play with the appliance.
- ◆ If the supply cord is damaged, it must be replaced by the manufacturer or an authorised Black & Decker Service Centre in order to avoid a hazard.

Guard against electric shock.

- ◆ Prevent body contact with earthed or grounded surfaces (e.g. metal railings, lamp-posts etc.). Electric safety can be further improved by using a high-sensitivity (30 mA/30mS) Residual Current Device (RCD).

Warning! The use of an RCD or other circuit breaker unit does not release the operator of your chainsaw from the safety instructions and safe working practices given in this user manual.

Features

1. On/off switch
2. Lock-off button
3. Oil cap
4. Front guard/chain brake assembly
5. Chain tension adjustment screw
6. Chain
7. Guide bar
8. Chain sheath
9. Chain cover knob
10. Chain cover assembly
11. Oil level indicator

ASSEMBLY

Oiling the chain (fig. A)

You must do this whenever you use a new chain (6) for the first time. Take the new chain (6) out of its plastic bag and soak it in chain oil for at least an hour before using it. Use Black & Decker chain oil

We recommend that you use only one brand of oil during the lifetime of your chainsaw because mixtures of different oils could lead to the oil becoming degraded, which can drastically shorten the lifetime of the saw chain.

Never use waste oil, thick oil or very thin sewing machine oil. These may damage your chainsaw.

Fitting the guide bar and chain (fig. A - F)



Warning! Always wear protective gloves when working on your chainsaw.

- ◆ Place the chainsaw onto a stable surface.
- ◆ Loosen and remove the chain cover knob (9) (fig. A).
- ◆ Set the front guard to position ① (fig. C).
- ◆ Remove the chain cover assembly (10).
- ◆ Place the chain (6) over the guide bar (7) making sure that the saw chain cutters on the upper part of the guide bar (7) face towards the front (fig. B).
- ◆ Guide the chain (6) around the guide bar (7) and pull it to create a loop to one side at the rear end of the guide bar (7).
- ◆ Place the chain (6) and guide bar (7) onto the chainsaw. Guide the chain (6) around the drive sprocket (12). Place the guide bar (7) onto the studs (13). Make sure that the sliding nut peg (14) locates into the tensioning hole (15) (fig. E).
- ◆ Make sure that the chain brake assembly (4) is in the set position ① before refitting (fig. C).
- ◆ Place the chain cover assembly (10) onto the chainsaw.
- ◆ Fit the chain cover knob (9) and tighten it finger tight.

- ◆ Turn the chain tension adjustment screw (5) (fig. E) clockwise until the chain (6) is tight. Make sure that the chain (6) is snug around the guide bar (7). Do not overtighten.
- ◆ Tighten the chain cover knob (9).

Checking and adjusting the chain tension (fig. E & G)

- ◆ Before use and after every 10 minutes of use, you must check the chain tension.
- ◆ Lightly pull on the chain (6) as shown (inset fig. G). The tension is correct when the chain (6) snaps back after being pulled 3 mm away from the guide bar (7). There should be no "sag" between the guide bar (7) and chain (6) on the underside

Note: Do not over-tension the chain (6) as this will lead to excessive wear and will reduce the life of the guide bar (7) and the chain (6).

Note: When the chain (6) is new, check the tension frequently (after disconnecting from the mains) during the first 2 hours of use as a new chain (6) stretches slightly.

To increase the tension:

- ◆ Turn the chain tension adjustment screw (5a) clockwise.

Filling the oil reservoir (fig. F)

- ◆ Remove the oil cap (3) and fill the reservoir with the recommended chain oil. You can see the oil level in the oil level indicator (11). Refit the oil cap (3).
- ◆ Periodically switch off and check the oil level indicator (11); if it is less than a quarter full, disconnect your chainsaw from the mains and refill with the correct oil.

Auto-stop chain brake (fig. C)

- ◆ This tool is fitted with an auto-stop chain brake assembly (4) which will stop the chain (6) within 150 ms each time you release the rear trigger, or if kickback should occur. The chain brake assembly (4) should be tested before every use.

How to set the chain brake (fig. C)

- ◆ Make sure that the tool is disconnected from the mains supply.
- ◆ Pull the front guard/chain brake assembly (4) back into the "set" position marked ① (fig. C).

The tool is now ready to use.

How the anti-kickback chain brake works

In the event of kickback, your left hand comes in contact with the front guard, pushing it forwards, toward the workpiece, and stops the tool within 150 ms.

How the inertia activated chain brake works

The front guard/chain brake assembly (4) is activated when the front hand guard is pushed forward, either manually, by the back of the users hand or by its own weight. The advantage of the inertia brake is that it is activated by a severe kickback, e.g. When the chain (6) hits metal, even if the users hand does not contact the front guard, i.e. when the chainsaw is in the felling position.

How to test the anti-kickback chain brake (fig. C)

- ◆ Grip the tool firmly in both hands on a firm surface make sure the saw chain (6) is clear of the ground and switch on (see "How to switch the chainsaw on").
- ◆ Rotate your left hand forward around the front handle so that the back of your hand comes in contact with the front guard/chain brake assembly (4) and pushes it forwards, toward the workpiece (fig. C). The saw chain (6) should stop within a few fractions of a second

To reset after the operation of the front guard/chain brake assembly (4):

- ◆ Follow the instructions for "How to set the chain brake".
- Note:** It will not be possible to switch the tool on if the front guard/chain brake assembly (4) is not in the "set" position ①.

Note: Avoid re-starting the tool until you hear the motor come to a complete rest.

Note: If the saw chain (6) does not come to rest immediately then this indicates that it needs tensioning (see "Fitting the guide bar and chain").

How to switch the tool on (fig. F)

- ◆ Grip your chainsaw firmly with both hands. Push the lock-off button (2) forward and then push the on/off switch (1) to start.
- ◆ When the motor starts, remove your thumb from the lock button (2) and grip the handle firmly.

Do not force the tool - allow it to do the work.

It will do a better and safer job at the speed for which it is designed. Excessive force will stretch the saw chain (6).

If the saw chain (6) or guide bar (7) becomes jammed:

- ◆ Switch the tool off.
- ◆ Disconnect the tool from the mains supply.
- ◆ Open the cut with wedges to relieve the strain on the guide bar (7). Do not try to wrench the chainsaw free. Start a fresh cut.

Felling (fig. H - J)

Inexperienced users should not attempt to fell trees. The user may suffer injury or damage to property as a result of failure to control the direction of fall, the tree may splinter or damaged / dead branches may fall during cutting.

The safe distance between a tree to be felled and bystanders, buildings and other objects is at least 2 1/2 times the height of the tree. Any bystander, building or object within this distance is at risk from being struck by the tree when felled.

Before attempting to fell a tree:

- ◆ Make sure that there are no local by-laws or regulations that would prohibit or control the felling of the tree.
- ◆ Consider all conditions that may affect the direction of fall, including:
 - ◆ The intended direction of fall.
 - ◆ The natural lean of the tree.
 - ◆ Any unusual heavy limb structure or decay.
 - ◆ Surrounding trees and obstacles including overhead lines and underground drains.
 - ◆ The wind speed and direction.

Pre-plan a safe exit from falling trees or branches. Make sure that the exit route is clear of obstacles that would prevent or hinder movement. Remember wet grass and freshly cut bark is slippery.

Do not attempt to fell trees where the tree diameter is greater than the cutting length of the chainsaw.

A direction notch is cut to determine the direction of fall.

A horizontal cut is made to a depth of between 1/5th and 1/3rd of the diameter of the tree, perpendicular to the line of fall at the base of the tree (fig. H). The second cut is made from above to intersect with the first and make a notch of about 45°.

Make a single horizontal felling cut from the other side 1-2 inches above the centre of the direction notch. (fig. I). Do not cut through to the direction notch, you could lose control of the direction of fall.

Drive a wedge or wedges into the felling cut to open it and drop the tree (fig. J).

Pruning trees

Make sure that there are no local by-laws or regulations that would prohibit or control the pruning of the tree limbs. Pruning should only be undertaken by experienced users there is an increased risk of the saw chain pinching and kick back.

Before pruning consideration should be given to conditions affecting the direction of fall including:

- ◆ The length and weight of the branch to be cut.
- ◆ Any unusual heavy limb structure or decay.
- ◆ Surrounding trees and obstacles including overhead.
- ◆ The wind speed and direction.
- ◆ The branch being intertwined with other branches.

The operator should consider access to the tree limb and the direction of fall. The tree branch is liable to swing towards the tree trunk. In addition to the user bystanders, objects and property below the branch will be at risk.

To avoid splintering, the first cut is made in an upward direction to a maximum depth of one third the diameter of the branch. The second cut is made downwards to meet the first.

Logging (fig. K, L & M)

How you should cut depends on how the log is supported. Use a saw horse whenever possible. Always start a cut with the saw chain (6) running and the spiked bumper (17) in contact with the wood (fig. K). To complete the cut use a pivoting action of the spiked bumper against the wood.

When supported along its whole length:

- ◆ Make a downward cut, but avoid cutting the earth as this will blunt your saw chain quickly.

When supported at both ends:

- ◆ First, cut one third down to avoid splintering and second, cut again to meet the first cut,

When supported at one end:

- ◆ First cut one third up to avoid splintering and second, cut down to prevent splintering.

When on a slope (fig. L):

- ◆ Always stand on the uphill side.

When using a saw horse (fig. M):

This is strongly recommended whenever possible.

- ◆ Position the log in a stable position. Always cut on the outside of the saw horse arms. Use clamps or straps to secure the workpiece.

When attempting to cut a log on the ground secure the workpiece using chocks or wedges. The user or a bystander should not steady the log by sitting or standing on it. Ensure the saw chain does not contact the ground.

Maintenance

Regular maintenance ensures a long effective life for the tool. We recommend you make the following checks on a regular basis.

Oil level

The level in the reservoir should not be allowed to fall below a quarter full.

Saw chain and guide bar (fig. G)

- ◆ After every few hours of use, remove the guide bar (7) and the saw chain (6) and clean them thoroughly.
- ◆ On reassembling, the guide bar (7) should be turned through 180° and the sprocket nose greased via the sprocket lubrication hole (16). This ensures an even distribution of wear around the guide bar rails.

Saw chain sharpening

If you are to get the best possible performance from the tool it is important to keep the teeth of the saw chain sharp. Guidance for this procedure is found on the sharpener package. For this purpose we recommend the purchase of the Black & Decker saw chain sharpening kit (available from Black & Decker service agents and selected dealers).

Replacing worn out saw chains

Replacement saw chains are available through retailers or Black & Decker service agents. Always use genuine spare parts.

Saw chain sharpness

The saw chain cutters will blunt immediately if they touch the ground or a nail whilst cutting.

Saw chain tension

Regularly check the saw chain tension.

What to do if your chainsaw needs repair.

Your chainsaw is in accordance with the relevant safety requirements. Repairs should only be carried out by a qualified person using original spare parts otherwise this may result in considerable danger to the user. We recommend you keep this user manual in a safe place.

Mains plug replacement (U.K. & Ireland only)

If a new mains plug needs to be fitted:

- ◆ Safely dispose of the old plug.
- ◆ Connect the brown lead to the live terminal in the new plug.
- ◆ Connect the blue lead to the neutral terminal.

Warning! No connection is to be made to the earth terminal.

Follow the fitting instructions supplied with good quality plugs. Recommended fuse: 10 A.

Protecting the environment



Should you find one day that your tool needs replacement, or if it is of no further use to you, think of the protection of the environment. Black & Decker repair agents will accept old Black & Decker tools and ensure that they are disposed of in an environmentally safe way.



Separate collection of used products and packaging allows materials to be recycled and used again. Re-use of recycled materials helps prevent environmental pollution and reduces the demand for raw materials.

Local regulations may provide for separate collection of electrical products from the household, at municipal waste sites or by the retailer when you purchase a new product.

Black & Decker provides a facility for the collection and recycling of Black & Decker products once they have reached the end of their working life. To take advantage of this service please return your product to any authorised repair agent who will collect them on our behalf.

You can check the location of your nearest authorised repair agent by contacting your local Black & Decker office at the address indicated in this manual. Alternatively, a list of authorised Black & Decker repair agents and full details of our after-sales service and contacts are available on the Internet at: www.2helpU.com.

Technical data

	GK1730	GK1735	GK1740	GK1930	GK1935	GK1940
Voltage (Vac)	230	230	230	230	230	230
Power input (W)	1700	1700	1700	1850	1850	1850
No load speed (min ⁻¹)	5500	5500	5500	5500	5500	5500
Max cutting length (cm)	30	35	40	30	35	40
Oil capacity (ml)	100	100	100	100	100	100
Weight (kg)	5.55	5.65	5.8	5.6	5.7	5.85
Safety class	II	II	II	II	II	II

European Community design registration no.
000417274-0001

EC declaration of conformity

GK1730; GK1735; GK1740; GK1930; GK1935; GK1940
Black & Decker declares that these products conform to:
98/37/EC. 89/336/EEC. 73/23/EEC. 2002/96/EC. 2002/95/EC.
EN 50144. EN 55014. EN61000. EN60745
2000/14/EC. Chainsaw _ 1600 w. Annex V
Level of sound pressure measured according to 2000/14/EC:

LpA (sound pressure) 94.2 dB(A)
LWA (acoustic power) 105.2 dB(A)
LWA (guaranteed) 104 dB(A)

Always wear ear protection if the sound pressure exceeds 85 dB (A).
Hand/arm weighted vibration value according to EN 60745:
3.5 m/sec²

Kevin Hewitt
Director of Consumer Engineering
Spennymoor, County Durham
DL16 6JG,
United Kingdom
31-10-2006

Guarantee

Black & Decker is confident of the quality of its products and offers an outstanding guarantee. This guarantee statement is in addition to and in no way prejudices your statutory rights. The guarantee is valid within the territories of the Member States of the European Union and the European Free Trade Area.

If a Black & Decker product becomes defective due to faulty materials, workmanship or lack of conformity, within 24 months from the date of purchase, Black & Decker guarantees to replace defective parts, repair products subjected to fair wear and tear or replace such products to ensure minimum inconvenience to the customer unless:

- ◆ The product has been used for trade, professional or hire purposes.
- ◆ The product has been subjected to misuse or neglect.
- ◆ The product has sustained damage through foreign objects, substances or accidents.
- ◆ Repairs have been attempted by persons other than authorised repair agents or Black & Decker service staff.

To claim on the guarantee, you will need to submit proof of purchase to the seller or an authorised repair agent. You can check the location of your nearest authorised repair agent by contacting your local Black & Decker office at the address indicated in this manual. Alternatively, a list of authorised Black & Decker repair agents and full details of our after-sales service and contacts are available on the Internet at: www.2helpU.com

Please visit our website www.blackanddecker.co.uk to register your new Black & Decker product and to be kept up to date on new products and special offers. Further information on the Black & Decker brand and our range of products is available at www.blackanddecker.co.uk.

Bestimmungsgemäße Verwendung

Ihre Black & Decker Kettensäge wurde zum Schneiden von Ästen, zum Fällen von Bäumen und zum Sägen von Brennholz konstruiert. Dieses Gerät ist nicht für den gewerblichen Einsatz vorgesehen.

Allgemeine Sicherheitsregeln

Achtung! Sämtliche Anweisungen sind zu lesen. Die Nichteinhaltung der nachstehend aufgeführten Anweisungen kann einen elektrischen Schlag, Brand und/oder schwere Verletzungen verursachen. Der nachfolgend verwendete Begriff "Gerät" bezieht sich auf netzbetriebene Geräte (mit Netzkabel) und auf akkubetriebene Geräte (ohne Netzkabel).

BEWAHREN SIE DIESE ANWEISUNGEN AUF.

1. **Arbeitsbereich**
 - a. **Halten Sie Ihren Arbeitsbereich sauber und gut ausgeleuchtet.** Unordnung und dunkle Arbeitsbereiche können zu Unfällen führen.
 - b. **Arbeiten Sie mit Geräten nicht in explosionsgefährdeter Umgebung, in der sich brennbare Flüssigkeiten, Gase oder Stäube befinden.** Geräte erzeugen Funken, die den Staub oder die Dämpfe entzünden können.
 - c. **Halten Sie Kinder und andere Personen während der Benutzung eines Gerätes fern.** Bei Ablenkung können Sie die Kontrolle verlieren.
2. **Elektrische Sicherheit**
 - a. **Der Anschlussstecker des Gerätes muss in die Steckdose passen. Der Stecker darf in keiner Weise verändert werden. Verwenden Sie keine Adapterstecker gemeinsam mit Schutzgeerdeten Geräten.** Unveränderte Stecker und passende Steckdosen verringern das Risiko eines elektrischen Schlages.
 - b. **Vermeiden Sie Körperkontakt mit geerdeten Oberflächen von Rohren, Heizungen, Herden und Kühlschränken.** Es besteht ein erhöhtes Risiko eines elektrischen Schlags, wenn Ihr Körper geerdet ist.
 - c. **Halten Sie Geräte von Regen und Nässe fern.** Das Eindringen von Wasser in ein Gerät erhöht das Risiko eines elektrischen Schlages.
 - d. **Missbrauchen Sie nicht das Kabel. Verwenden Sie das Kabel niemals zum Tragen, Ziehen oder Trennen des Gerätes vom Netz. Halten Sie das Kabel fern von Hitze, Öl, scharfen Kanten oder sich bewegenden Teilen.** Beschädigte oder verwickelte Kabel erhöhen das Risiko eines elektrischen Schlages.
 - e. **Wenn Sie mit einem Gerät im Freien arbeiten, verwenden Sie nur Verlängerungskabel, die auch für den Außenbereich zugelassen sind.** Die Verwendung eines für den Außenbereich geeigneten Verlängerungskabels verringert das Risiko eines elektrischen Schlages.
3. **Sicherheit von Personen**
 - a. **Seien Sie aufmerksam, achten Sie darauf, was Sie tun, und gehen Sie vernünftig mit dem Gerät um. Benutzen Sie das Gerät nicht, wenn Sie müde sind oder unter dem Einfluss von Drogen, Alkohol oder Medikamenten stehen.** Ein Moment der Unachtsamkeit beim Gebrauch von Geräten kann zu ernsthaften Verletzungen führen.
 - b. **Verwenden Sie Schutzausrüstung. Tragen Sie stets einen Augenschutz.** Schutzausrüstung wie Staubmaske, rutschfeste Sicherheitsschuhe, Schutzhelm oder Gehörschutz, je nach Art und Einsatz des Gerätes, verringert das Risiko von Verletzungen.
 - c. **Vermeiden Sie eine unbeabsichtigte Inbetriebnahme. Vergewissern Sie sich, dass das Gerät ausgeschaltet ist, bevor Sie es an das Stromnetz anschließen.** Durch das Tragen des Gerätes mit dem Finger am Schalter oder durch das Anschließen eines eingeschalteten Gerätes werden Unfälle provoziert.
 - d. **Entfernen Sie Einstell- oder Schraubenschlüssel, bevor Sie das Gerät einschalten.** Ein Schlüssel in einem sich drehenden Teil kann zu Verletzungen führen.
 - e. **Strecken Sie sich nicht zu weit nach vorne. Achten Sie auf einen sicheren Stand, um in jeder Arbeitsposition das Gleichgewicht zu halten.** Dadurch können Sie das Gerät in unerwarteten Situationen besser unter Kontrolle halten.
 - f. **Tragen Sie geeignete Kleidung. Tragen Sie keine weite Kleidung oder Schmuck. Halten Sie Haare, Kleidung und Handschuhe fern von sich bewegenden Teilen.** Lockere Kleidung, Schmuck oder lange Haare können von sich bewegenden Teilen erfasst werden.
 - g. **Falls Staubabsaug- und -fangvorrichtungen vorhanden sind, vergewissern Sie sich, dass diese angeschlossen sind und richtig verwendet werden.** Diese Vorrichtungen verringern Gefährdungen durch Staub.
4. **Gebrauch und Pflege von Geräten**
 - a. **Überlasten Sie das Gerät nicht. Verwenden Sie für Ihre Arbeit das dafür bestimmte Gerät.** Mit dem passenden Gerät arbeiten Sie besser und sicherer im angegebenen Leistungsbereich.
 - b. **Verwenden Sie das Gerät nicht, wenn der Ein-/Ausschalter nicht funktioniert.** Ein Gerät, das sich nicht mehr ein- oder ausschalten lässt, ist gefährlich und muss repariert werden.
 - c. **Ziehen Sie den Stecker aus der Steckdose, bevor Sie Einstellungen vornehmen, Zubehörteile wechseln oder das Gerät aufbewahren.** Diese Vorsichtsmaßnahmen verhindern den unbeabsichtigten Start des Gerätes.
 - d. **Bewahren Sie unbenutzte Geräte außerhalb der Reichweite von Kindern auf. Lassen Sie Geräte nicht von Personen benutzen, die damit nicht vertraut sind oder diese Anweisungen nicht gelesen haben.** Geräte sind gefährlich, wenn sie von unerfahrenen Personen benutzt werden.

- e. **Halten Sie Geräte in einem einwandfreien Zustand. Kontrollieren Sie, ob bewegliche Teile falsch ausgerichtet sind oder klemmen und ob Teile gebrochen oder so beschädigt sind, dass die Funktion des Gerätes beeinträchtigt ist. Lassen Sie beschädigte Geräte vor dem Gebrauch reparieren.** Viele Unfälle haben ihre Ursache in schlecht gewarteten Geräten.
 - f. **Halten Sie Schneidwerkzeuge scharf und sauber.** Sorgfältig gepflegte Schneidwerkzeuge mit scharfen Schneidkanten verklemmen sich weniger und sind leichter zu führen.
 - g. **Verwenden Sie Gerät, Zubehör, Einsatz-Bits usw. entsprechend diesen Anweisungen und so, wie es für diesen speziellen Gerätetyp vorgeschrieben ist. Berücksichtigen Sie dabei die Arbeitsbedingungen und die ausführende Arbeit.** Der Gebrauch von Geräten für andere als die vorgesehenen Zwecke kann zu gefährlichen Situationen führen.
- 5. Service**
- a. **Lassen Sie das Gerät nur von qualifiziertem Fachpersonal und nur mit Originalersatzteilen reparieren.** Dadurch ist gewährleistet, dass die Sicherheit des Gerätes erhalten bleibt.

Zusätzliche Sicherheitshinweise für Kettensägen

- ◆ **Halten Sie alle Körperteile von der Kette fern, wenn das Gerät in Betrieb ist. Vergewissern Sie sich vor dem Starten der Kettensäge, dass die Kette keine Gegenstände berührt.** Ein Moment der Unachtsamkeit während des Betriebs kann dazu führen, dass die Kette Körper- oder Kleidungsteile berührt.
- ◆ **Halten Sie die Kettensäge immer mit der rechten Hand am hinteren und mit der linken Hand am vorderen Griff.** Wenn Sie das Gerät anders halten, besteht erhöhte Verletzungsgefahr.
- ◆ **Tragen Sie eine Schutzbrille und einen Gehörschutz. Außerdem empfiehlt sich das Tragen zusätzlicher Schutzausrüstung für Kopf, Hände, Beine und Füße.** Geeignete Schutzausrüstung verringert das Risiko von Verletzungen durch weggeschleuderte Schnittabfälle oder durch unabsichtlichen Kontakt mit der Kette.
- ◆ **Arbeiten Sie mit der Kettensäge nicht auf Bäumen.** Dies kann zu schweren Verletzung führen.
- ◆ **Achten Sie jederzeit auf einen sicheren Stand, und benutzen Sie die Kettensäge nur auf festem, ebenen Boden.** Auf rutschigen und instabilen Oberflächen oder auf Leitern ist kein sicherer Stand gewährleistet. Es besteht die Gefahr, dass Sie das Gleichgewicht und die Kontrolle über die Kettensäge verlieren.

- ◆ **Beim Durchschneiden eines Astes, der unter Spannung steht, kann dieser zurückschnellen.** Wenn die Spannung in den Holzfasern freigesetzt wird, kann der Ast den Bediener treffen und/oder gegen die Kettensäge schlagen und diese außer Kontrolle bringen.
- ◆ **Arbeiten Sie beim Sägen von Büschen und Jungbäumen mit größter Vorsicht.** Es besteht die Gefahr, dass sich das nachgiebige Material in der Kette verfängt, in Ihre Richtung gedrückt wird und Sie aus dem Gleichgewicht bringt.
- ◆ **Tragen Sie die Kettensäge am vorderen Handgriff. Das Gerät muss ausgeschaltet sein und sollte den Körper nicht berühren. Bringen Sie den Kettenschutz an, bevor Sie das Gerät transportieren oder lagern.** Durch einen sachgemäßen Umgang mit der Kettensäge verhindern Sie einen unabsichtlichen Kontakt mit der sich bewegenden Kette.
- ◆ **Befolgen Sie die Anweisungen zum Ölen und Spannen der Kette und zum Wechseln von Zubehörteilen.** Bei einer unzureichend gespannten oder geölte Kette besteht Riss- und erhöhte Rückschlaggefahr.
- ◆ **Halten Sie die Griffe trocken, sauber und öl- und fettfrei.** Schmierige, ölige Griffe sind rutschig. Dadurch ist die Kontrolle über das Gerät nicht mehr gewährleistet.
- ◆ **Schneiden Sie nur Holz. Verwenden Sie die Kettensäge nicht zweckentfremdet. Schneiden Sie mit dem Gerät beispielsweise keinen Kunststoff, kein Mauerwerk und keine Baumaterialien, die nicht aus Holz sind.** Der Gebrauch der Kettensäge für andere als die vorgesehenen Zwecke kann zu gefährlichen Situationen führen.

Ursachen für Rückschlag und Gegenmaßnahmen seitens des Bedieners:

Rückschlag kann auftreten, wenn die Spitze des Führungsschwerts einen Gegenstand berührt, oder wenn Holz einknickt und die Kette im Schneidspalt einklemmt. Kontakt an der Spitze kann in einigen Fällen eine blitzschnelle Rückschlagwirkung erzeugen, die die Führungsschiene nach oben und zurück in Richtung Bediener schnellen lässt.

Wenn die Kette an der Oberseite des Führungsschwerts eingeklemmt wird, kann dies das Schwert schnell nach hinten in Richtung Bediener drücken.

Diese Reaktionen können zum Verlust der Kontrolle über die Kettensäge und damit zu schweren Verletzungen führen. Verlassen Sie sich nicht nur auf die Sicherheitsvorrichtungen der Kettensäge. Als Bediener einer Kettensäge müssen Sie verschiedene Vorkehrungen treffen, um Sägearbeiten ohne Unfälle und Verletzungen durchführen zu können.

Ein Rückschlag ist das Resultat eines Missbrauchs und/oder einer falschen Bedienung der Kettensäge oder falscher Arbeitsbedingungen. Er kann durch die entsprechenden unten angegebenen Vorsichtsmaßnahmen vermieden werden.

- ◆ **Halten Sie die Säge mit den Daumen auf einer Seite und den Fingern auf der anderen Seite an den Griffen fest. Durch einen festen Griff mit beiden Händen, einen ausgestreckten linken Arm und einen stabilen Stand lässt sich das Zurückschlagen vermeiden.** Die Rückschlagkräfte können vom Bediener mittels entsprechender Vorsichtsmaßnahmen unter Kontrolle gehalten werden. Lassen Sie die Kettensäge nicht los.
- ◆ **Strecken Sie sich nicht zu weit nach vorne, und schneiden Sie nicht oberhalb der Schulterhöhe.** Dadurch vermeiden Sie einen versehentlichen Kontakt der Spitze, und die Kettensäge lässt sich in unerwarteten Situationen besser unter Kontrolle halten.
- ◆ **Als Ersatzteile dürfen nur die vom Hersteller bezeichneten Führungsschwerte und Ketten verwendet werden.** Bei Verwendung falscher Ersatzteile besteht die Gefahr eines Kettenrisses und/oder erhöhte Rückschlaggefahr.
- ◆ **Das Schärfen der Sägekette und sämtliche Wartungsarbeiten müssen gemäß den Anweisungen des Herstellers erfolgen.** Das Kürzen der Tiefenbegrenzer an der Kette kann zu einer erhöhten Rückschlaggefahr führen.

Empfehlungen für einen sicheren Umgang mit der Kettensäge

- ◆ Anfänger sollten sich unbedingt von einem erfahrenen Benutzer die sachgemäße Verwendung der Kettensäge und der Schutzausrüstung demonstrieren lassen. Es empfiehlt sich, zunächst das Sägen von Stückholz auf einem Sägebock zu üben.
- ◆ Beim Tragen der Kettensäge sollte die Kettenbremse im Eingriff sein.
- ◆ Halten Sie die Kettensäge auch bei Nichtgebrauch in einem einwandfreien Betriebszustand. Nehmen Sie vor einer längeren Lagerung der Kettensäge die Kette und das Führungsschwert ab. Diese Teile sollten in Öl getaucht werden. Bewahren Sie sämtliche Teile der Kettensäge an einem trockenen, sicheren Ort außerhalb der Reichweite von Kindern auf.
- ◆ Der Ölbehälter sollte vor einer längeren Lagerung geleert werden.
- ◆ Achten Sie auf einen sicheren Stand, und planen Sie einen sicheren Fluchtweg vor dem fallenden Baum oder vor fallenden Ästen.

- ◆ Verwenden Sie beim Fällen eines Baums Keile, um die Fallrichtung zu beeinflussen und um zu verhindern, dass sich Kette und Führungsschwert im Schneidspalt verklemmen.
- ◆ Pflegen Sie die Sägekette. Halten Sie die Kette scharf und richtig gespannt. Stellen Sie sicher, dass Kette und Führungsschwert sauber und ausreichend geölt sind. Halten Sie die Griffe trocken, sauber und öl- und fettfrei.

Ein Rückschlag kann verursacht werden durch:

- ◆ Versehentliches Berühren von Ästen oder anderen Gegenständen mit der Sägespitze, während sich die Kette bewegt.
- ◆ Berühren von Metall, Mauerwerk oder anderen harten Gegenständen in der Nähe oder innerhalb des Holzes.
- ◆ Eine stumpfe oder lockere Kette.
- ◆ Schnitte oberhalb der Schulterhöhe.
- ◆ Nachlässiges Halten oder Führen der Kettensäge während des Schneidens.
- ◆ Überstrecken. Achten Sie jederzeit auf einen sicheren Stand und eine sichere Balance, und überstrecken Sie sich nicht.
- ◆ Führen Sie die Säge nicht in einen vorhandenen Schneidspalt ein, da hierdurch ein Rückschlag verursacht werden kann. Führen Sie stets einen neuen Schnitt durch.
- ◆ Es wird dringend davon abgeraten, die Kettensäge in einem Baum, auf einer Leiter oder auf einer anderen instabilen Fläche zu betreiben. Wenn Sie sich dennoch hierzu entschließen, sollten Sie sich der erhöhten Unfall- und Verletzungsgefahr bewusst sein.
- ◆ Achten Sie beim Durchtrennen eines Asts unter Spannung darauf, dass Sie nicht von zurückschnellendem Holz getroffen werden.

Folgendes ist zu beachten:

- ◆ Sägen Sie kein vorbehandeltes Holz.
- ◆ Berühren Sie mit laufender Kette nicht den Boden.
- ◆ Schneiden Sie nicht in Drahtzäune, Nägel usw.
- ◆ Schneiden Sie möglichst keine Büsche oder Jungbäume. Es besteht die Gefahr, dass sich das nachgiebige Material in der Kette verfängt, in Ihre Richtung gedrückt wird und Sie aus dem Gleichgewicht bringt.
- ◆ Verwenden Sie die Kettensäge nicht oberhalb der Schulterhöhe.
- ◆ Stellen Sie sicher, dass sich für den Fall eines Unfalls jemand in der Nähe befindet (jedoch in ausreichendem Sicherheitsabstand).
- ◆ Falls Sie die Kette aus irgendeinem Grund berühren müssen, vergewissern Sie sich, dass die Kettensäge vom Netz getrennt ist.
- ◆ Der Schallpegel dieses Gerätes kann 85 dB(A) überschreiten.
- ◆ Das Tragen eines Gehörschutzes wird daher empfohlen.

Am Gerät sind die folgenden Warnsymbole angebracht:



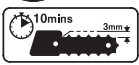
Lesen Sie diese Anleitung vollständig und aufmerksam durch.



Verwenden Sie die Säge nicht in nasser Umgebung, und schützen Sie sie vor Regen.



Tragen Sie stets einen Gehör- und Augenschutz.



Prüfen Sie die Kettenspannung nach jeweils 10 Minuten Betrieb. Stellen Sie das Spiel ggf. wieder auf 3 mm ein.



Ziehen Sie immer den Stecker aus der Netzsteckdose, bevor Sie das Kabel auf Schäden überprüfen. Verwenden Sie die Kettensäge auf keinen Fall, wenn das Kabel beschädigt ist.



Der Schallpegel dieses Gerätes kann 85 dB(A) überschreiten.

Elektrische Sicherheit



Dieses Gerät ist schutzisoliert, daher ist keine Erdleitung erforderlich. Überprüfen Sie immer, ob die Netzspannung der auf dem Typenschild des Gerätes angegebenen Spannung entspricht.

Zusätzliche Sicherheitshinweise

- ◆ Dieses Gerät darf ohne Aufsicht nicht von jungen oder schwachen Personen verwendet werden. Kinder müssen beaufsichtigt werden, um sicherzustellen, dass sie nicht mit dem Gerät spielen.
- ◆ Ist das Netzkabel beschädigt, muss es durch den Hersteller oder eine Black & Decker Vertragswerkstatt ausgetauscht werden, um eine mögliche Gefährdung zu vermeiden.

Schutz vor elektrischem Schlag

- ◆ Vermeiden Sie eine Berührung des Körpers mit geerdeten Gegenständen (z. B. Metallgeländer, Laternenpfähle usw.). Die elektrische Sicherheit lässt sich durch Verwendung eines Fehlerstromschutzschalters (30 mA/30 ms) erhöhen.

Achtung! Die Verwendung eines Fehlerstromschutzschalters oder einer anderen Vorrichtung zur Unterbrechung der Stromversorgung befreit den Bediener der Kettensäge jedoch nicht von seiner Sorgfaltspflicht. Die im vorliegenden Handbuch enthaltenen Sicherheitshinweise und Anleitungen zum sicheren Umgang mit dem Gerät sind in jedem Fall zu beachten.

Merkmale

1. Ein-/Aus-Schalter
2. Einschaltsperr
3. Ölbehälterdeckel
4. Vordere Schutzvorrichtung/Kettenbremse
5. Kettenspannschraube
6. Kette
7. Führungsschwert
8. Kettenschutz
9. Kettenabdeckungsverriegelung
10. Kettenabdeckung
11. Ölpegelanzeige

MONTAGE

Ölen der Kette (Abb. A)

Diese Aufgabe ist durchzuführen, wenn eine neue Kette (6) zum ersten Mal verwendet wird. Nehmen Sie die neue Kette (6) aus ihrem Kunststoffbeutel, und legen Sie sie vor der Montage mindestens eine Stunde lang in Kettenöl. Verwenden Sie Black & Decker Kettenöl.

Wir empfehlen, während der gesamten Lebensdauer der Kette ausschließlich eine Ölsorte zu verwenden, da das Mischen verschiedener Öle die Ölqualität mindern kann, was wiederum zu einer drastischen Verkürzung der Lebensdauer der Kette führen kann.

Verwenden Sie niemals gebrauchtes Öl, dickflüssiges Öl oder sehr dünnflüssiges Nähmaschinenöl. Hierdurch kann die Kettensäge beschädigt werden.

Anbringen des Führungsschwerts und der Kette (Abb. A - F)



Achtung! Tragen Sie stets Schutzhandschuhe, wenn Sie an der Kettensäge arbeiten.

- ◆ Stellen Sie die Kettensäge auf eine stabile Unterlage.
- ◆ Lösen und entfernen Sie die Kettenabdeckungsverriegelung (9) (Abb. A).
- ◆ Bringen Sie die vordere Schutzvorrichtung (Handschutz) in die Stellung ① (Abb. C).
- ◆ Entfernen Sie die Kettenabdeckung (10).
- ◆ Legen Sie die Kette (6) über das Führungsschwert (7). Die Sägezähne oben auf dem Führungsschwert (7) müssen in Kettenlaufrichtung zeigen (Abb. B).
- ◆ Führen Sie die Kette (6) so um das Führungsschwert (7), dass sich auf einer Seite am hinteren Ende des Schwerts (7) eine Schlaufe bildet.

- ◆ Montieren Sie das Führungsschwert (7) mit der Kette (6) an der Kettensäge. Legen Sie die Kette (6) um das Kettenrad (12). Setzen Sie das Führungsschwert (7) auf die Fixierbolzen (13). Stellen Sie sicher, dass der Gleitmuttersteg (14) in das Spannloch (15) eingreift (Abb. E).
- ◆ Vergewissern Sie sich vor dem Zusammenbau, dass sich die Kettenbremse (4) in Laufstellung ① befindet (Abb. C).
- ◆ Bringen Sie die Kettenabdeckung (10) an.
- ◆ Bringen Sie die Kettenabdeckungsverriegelung (9) an, und ziehen Sie sie mit den Fingern fest.
- ◆ Drehen Sie die Kettenspannschraube (5) (Abb. E) im Uhrzeigersinn, bis die Kette (6) fest ist. Vergewissern Sie sich, dass die Kette (6) eng am Führungsschwert (7) anliegt. Spannen Sie die Kette nicht zu stark.
- ◆ Ziehen Sie die Kettenabdeckungsverriegelung (9) fest.

Prüfen und Einstellen der Kettenspannung (Abb. E und G)

- ◆ Die Kettenspannung muss vor jeder Verwendung der Kettensäge und nach jeweils 10 Minuten Betrieb geprüft werden.
- ◆ Ziehen Sie wie gezeigt leicht an der Kette (6) (Detailbild in Abb. G). Die Kette (6) ist richtig gespannt, wenn sie sich ca. 3 mm vom Führungsschwert (7) abheben lässt. Die Kette (6) muss auch an der Unterseite des Führungsschwerts (7) eng anliegen. Es darf kein Durchhang vorhanden sein.

Hinweis: Überspannen Sie die Kette (6) nicht. Dies würde den Verschleiß erhöhen und die Lebensdauer von Führungsschwert (7) und Kette (6) verkürzen.

Hinweis: Ist die Kette (6) neu, überprüfen Sie die Spannung während der ersten 2 Betriebsstunden häufiger (nach dem Trennen vom Netz), da sich eine neue Kette (6) etwas dehnt. Um die Spannung zu erhöhen:

- ◆ Drehen Sie die Kettenspannschraube (5a) im Uhrzeigersinn.

Füllen des Ölbehälters (Abb. F)

- ◆ Nehmen Sie den Ölbehälterdeckel (3) ab, und füllen Sie den Behälter mit dem empfohlenen Kettenöl. Der Ölpegel ist in der Ölpegelanzeige (11) zu sehen. Bringen Sie den Ölbehälterdeckel (3) wieder an.
- ◆ Schalten Sie das Gerät regelmäßig aus, und überprüfen Sie den Ölpegel in der Anzeige. Sobald der Ölpegel ein Viertel der Füllmenge unterschreitet, trennen Sie die Kettensäge vom Netz, und füllen Sie das richtige Öl nach.

Auto-Stopp-Kettenbremse (Abb. C)

- ◆ Das Gerät ist mit einer Auto-Stopp-Kettenbremse (4) ausgestattet, die die Kette (6) innerhalb von 150 ms anhält, wenn der rückwärtige Auslöseschalter losgelassen wird oder ein Rückschlag auftritt. Diese Kettenbremse (4) sollte vor jedem Gebrauch getestet werden.

Einstellen der Kettenbremse (Abb. C)

- ◆ Vergewissern Sie sich, dass die Kettensäge vom Stromnetz getrennt ist.
- ◆ Ziehen Sie die vordere Schutzvorrichtung/Kettenbremse (4) zurück in die Laufstellung ① (Abb. C).

Das Gerät ist nun betriebsbereit.

Funktionsweise der Anti-Rückschlag-Kettenbremse

Im Fall eines Rückschlags berührt Ihre linke Hand die vordere Schutzvorrichtung (Handschutz) und schiebt diese nach vorne in Richtung des Werkstücks. Das Gerät wird dann innerhalb von 150 Millisekunden angehalten.

Funktionsweise der trägheitsbetätigten Kettenbremse

Die vordere Schutzvorrichtung/Kettenbremse (4) wird ausgelöst, sobald der Handschutz entweder manuell durch den Handrücken oder durch sein Eigengewicht nach vorne gedrückt wird. Der Vorteil der Trägheitsbremse besteht darin, dass die Bremse durch einen schweren Rückschlag, etwa bei Kontakt der Kette (6) mit Metall, ausgelöst wird, selbst wenn die Hand des Bedieners den Handschutz nicht berührt, die Kettensäge sich also in Fällstellung befindet.

Testen der Anti-Rückschlag-Kettenbremse (Abb. C)

- ◆ Stellen Sie das Gerät auf eine stabile Unterlage, halten Sie es mit beiden Händen fest, stellen Sie sicher, dass die Kette (6) nicht den Boden berührt, und schalten Sie das Gerät ein (siehe "Einschalten der Kettensäge").
- ◆ Drehen Sie die linke Hand nach vorne um den vorderen Handgriff, sodass der Handrücken die vordere Schutzvorrichtung/Kettenbremse (4) berührt und nach vorne in Richtung des Werkstücks schiebt (Abb. C). Die Kette (6) muss nun innerhalb eines Bruchteils einer Sekunde anhalten.

So stellen Sie die vordere Schutzvorrichtung/Kettenbremse (4) zurück, nachdem sie ausgelöst wurde:

- ◆ Führen Sie die unter "Einstellen der Kettenbremse" beschriebenen Schritte aus.

Hinweis: Wenn sich die vordere Schutzvorrichtung/Kettenbremse (4) nicht in Laufstellung ① befindet, kann das Gerät nicht eingeschaltet werden.

Hinweis: Vermeiden Sie das erneute Einschalten des Gerätes, solange der Motor noch nicht vollkommen zum Stillstand gekommen ist.

Hinweis: Wenn die Kette (6) nicht sofort zum Stillstand kommt, muss sie in der Regel gespannt werden (siehe "Anbringen des Führungsschwerts und der Kette").

Einschalten der Kettensäge (Abb. F)

- ◆ Halten Sie die Kettensäge mit beiden Händen fest. Drücken Sie die Einschaltsperrle (2) nach vorne, und drücken Sie anschließend den Ein-/Aussschalter (1), um das Gerät einzuschalten.
- ◆ Sobald der Motor startet, nehmen Sie den Daumen von der Einschaltsperrle (2), und halten Sie den Handgriff sicher fest.

Üben Sie während des Sägens nicht zu starken Druck auf das Gerät aus.

Die Arbeit wird besser und sicherer ausgeführt, wenn das Gerät mit der Geschwindigkeit arbeitet, für die es ausgelegt ist. Wenn Sie zuviel Druck ausüben, dehnt sich Kette (6).

Falls die Kette (6) oder das Führungsschwert (7) festklemmt:

- ◆ Schalten Sie das Gerät aus.
- ◆ Ziehen Sie den Netzstecker aus der Steckdose.
- ◆ Erweitern Sie den Schneidspalt mit Keilen, um den Druck auf das Führungsschwert (7) zu beseitigen. Versuchen Sie nicht, die Säge freizuhebeln. Beginnen Sie an anderer Stelle einen neuen Schnitt.

Fällen (Abb. H - J)

Fällarbeiten sollten nur von erfahrenen Benutzern durchgeführt werden. Wenn der Baum in die falsche Richtung fällt oder splittert, oder wenn beschädigte/abgestorbene Äste herabfallen, kann dies Sach- und Personenschäden zur Folge haben.

Der Sicherheitsabstand zwischen dem zu fallenden Baum und Personen, Gebäuden oder anderen Gegenständen muss mindestens das 2 1/2-fache der Baumhöhe betragen.

Personen, Gebäude oder Gegenstände innerhalb dieser Entfernung laufen Gefahr, vom gefällten Baum getroffen zu werden.

Vor dem Fällen eines Baums ist Folgendes zu beachten:

- ◆ Vergewissern Sie sich, dass das Fällen des Baums nicht durch lokale Verordnungen oder Gesetze eingeschränkt oder untersagt wird.
- ◆ Berücksichtigen Sie alle Faktoren, die die Fallrichtung beeinflussen könnten. Hierzu gehören:
 - ◆ gewünschte Fallrichtung
 - ◆ wuchsbedingte Neigung des Baums
 - ◆ Morschheit oder außergewöhnlich schwere Holzstruktur
 - ◆ Bäume und Hindernisse in der Umgebung (Stromleitungen, unterirdisch verlegte Leitungen usw.)
 - ◆ Windgeschwindigkeit und Windrichtung

Planen Sie einen sicheren Fluchtweg vor fallenden Bäumen oder Ästen. Vergewissern Sie sich, dass der Fluchtweg frei von Hindernissen ist, die die Flucht behindern könnten.

Denken Sie daran, dass nasses Gras und frisch geschnittene Baumrinde rutschig sind.

Versuchen Sie nicht, einen Baum zu fällen, dessen Durchmesser die Schnittlänge der Kettensäge überschreitet. Sägen Sie auf der Seite der Fallrichtung eine Kerbe in den Stamm.

Dazu sägen Sie zunächst am Fuß des Stamms einen horizontalen Schnitt, der 1/5 bis 1/3 des Stammdurchmessers beträgt (Abb. H). Darüber sägen Sie in einem Winkel von etwa 45° den zweiten Schnitt bis zur horizontalen Kerblinie.

Sägen Sie auf der anderen Seite des Baums etwa 3 bis 5 cm über der horizontalen Kerblinie den horizontalen Fallschnitt (Abb. I). Schneiden Sie nicht bis zur Kerbe durch. Andernfalls besteht die Gefahr, dass der Baum nicht in die gewünschte Richtung fällt.

Treiben Sie einen oder mehrere Keile in den Fallschnitt, um den gerichteten Fall des Baums zu unterstützen (Abb. J).

Schneiden von Ästen

Vergewissern Sie sich, dass das Bescheiden von Ästen nicht durch lokale Verordnungen oder Gesetze eingeschränkt oder untersagt wird. Das Schneiden von Ästen sollte nur von erfahrenen Personen durchgeführt werden, da das Risiko eines Rückschlags oder des Einklemmens relativ hoch ist.

Berücksichtigen Sie vor Beginn der Arbeit alle Faktoren, die die Fallrichtung beeinflussen könnten. Hierzu gehören:

- ◆ die Länge und das Gewicht des zu schneidenden Asts
- ◆ Morschheit oder außergewöhnlich schwere Holzstruktur
- ◆ Bäume und Hindernisse in der Umgebung (z. B. Stromleitungen)
- ◆ Windgeschwindigkeit und Windrichtung
- ◆ die Verflechtung mit anderen Ästen

Achten Sie auf einen guten Zugang zum Ast, und berücksichtigen Sie die Fallrichtung. Äste haben die Tendenz, zum Baumstamm zu schwingen. Gefährdet sind neben dem Bediener der Kettensäge alle Personen und Gegenstände unterhalb des Astes.

Um ein Splittern zu verhindern, wird der Ast zunächst bis zu einem Drittel seines Durchmessers von unten eingesägt. Danach erfolgt ein Schnitt von oben, bis der Ast durchtrennt ist.

Sägen von Brennholz (Abb. K, L und M)

Wie der Schnitt ausgeführt werden muss, hängt davon ab, wie das Holzstück gestützt wird. Verwenden Sie nach Möglichkeit einen Sägebock. Beginnen Sie einen Schnitt immer mit laufender Kette (6) und den Anschlagkrallen (17) am Holz (Abb. K). Führen Sie den Schnitt dann in einer Kippbewegung nach unten durch das Holzstück.

Holz ist entlang der gesamten Länge abgestützt:

- ◆ Führen Sie einen Abwärtsschnitt durch. Achten Sie darauf, dass die Kette nicht mit dem Boden in Berührung kommt, da sie hierdurch schnell stumpf wird.

Holz ist an beiden Enden abgestützt:

- ◆ Schneiden Sie zunächst ein Drittel nach unten, um ein Splittern zu verhindern. Schneiden Sie dann von unten nach oben in Richtung des ersten Schneidspalts.

Holz ist an einem Ende abgestützt:

- ◆ Schneiden Sie zunächst ein Drittel nach oben, und anschließend nach unten, um ein Splittern zu verhindern.

Bei Sägearbeiten an einem Hang (Abb. L):

- ◆ Stehen Sie immer auf der Bergseite.

Bei Verwendung eines Sägebocks (Abb. M):

Die Verwendung eines Sägebocks wird dringend empfohlen.

- ◆ Bringen Sie das zu schneidende Holzstück in eine stabile Position. Schneiden Sie immer außerhalb der Sägebockenden. Benutzen Sie gegebenenfalls eine Spannvorrichtung, um das Holzstück zu fixieren.

Wenn Sie ein Stück Holz schneiden, das auf dem Boden liegt, sichern Sie es mit Hilfe von Klötzen oder Keilen. Weder der Bediener noch eine andere Person dürfen das zu schneidende Holzstück fixieren, indem sie sich darauf setzen oder stellen. Achten Sie darauf, dass die Kette nicht den Boden berührt.

Wartung

Eine regelmäßige Wartung stellt eine lange Lebensdauer des Gerätes sicher. Wir empfehlen, folgende Kontrollen regelmäßig durchzuführen.

Ölpegel

Der Pegel im Behälter darf eine Viertelfüllung nicht unterschreiten.

Sägekette und Führungsschwert (Abb. G)

- ◆ Nehmen Sie nach einigen Stunden Gebrauch das Führungsschwert (7) und die Kette (6) ab, und reinigen Sie die Teile gründlich.
- ◆ Beim Wiederausammenbau muss das Führungsschwert (7) um 180° gedreht und die Kettenradnase durch die Kettenrad-Schmieröffnung (16) geschmiert werden.

Dadurch ist eine gleichmäßige Abnutzung entlang der Führungsschwertschiene gewährleistet.

Schärfen der Sägekette

Um eine optimale Schneidleistung zu erhalten, muss die Sägekette regelmäßig geschärft werden. Anleitungen hierzu finden Sie auf der Verpackung des Schärfers. Wir empfehlen den Kauf des Black & Decker Kettenschärfersatzes (bei Ihrer Black & Decker Vertretung und im Fachhandel erhältlich).

Erneuern einer verschlissenen Kette

Austauschketten sind über den Fachhandel oder bei einer Black & Decker Vertretung erhältlich. Verwenden Sie ausschließlich Originalersatzteile.

Schärfe der Sägekette

Die Zähne der Kette werden sofort stumpf, wenn Sie beim Sägen den Boden oder einen Nagel berühren.

Kettenspannung

Überprüfen Sie regelmäßig die Spannung der Kette.

Was ist zu tun, wenn die Kettensäge repariert werden muss?

Ihre Kettensäge erfüllt alle einschlägigen Sicherheitsbestimmungen. Reparaturen sind nur von autorisierten Fachkräften und mit Originalersatzteilen vorzunehmen. Andernfalls besteht Unfall- und Verletzungsgefahr. Bewahren Sie diese Anleitung an einem sicheren Ort auf.

Austauschen des Netzsteckers (nur Vereinigtes Königreich und Irland)

Gehen Sie folgendermaßen vor, wenn ein neuer Netzstecker angeschlossen werden muss:

- ◆ Entsorgen Sie den alten Stecker auf sachgerechte Weise.
- ◆ Verbinden Sie die braune Leitung mit dem spannungsführenden Anschluss des Steckers.
- ◆ Verbinden Sie die blaue Leitung mit dem neutralen Anschluss.

Achtung! Der Erdleiter wird nicht angeschlossen. Befolgen Sie die Anleitungen, die dem Stecker beiliegen. Empfohlene Sicherung: 5 A.

Umweltschutz



Sollten Sie das Gerät eines Tages durch ein neues Gerät ersetzen möchten oder keine Verwendung mehr dafür haben, denken Sie bitte an den Schutz der Umwelt. Black & Decker nimmt Ihre ausgedienten Black & Decker Geräte gern zurück und sorgt für eine umweltgerechte Entsorgung.



Durch die separate Sammlung von ausgedienten Produkten und Verpackungsmaterialien können Rohstoffe recycelt und wiederverwendet werden. Die Wiederverwendung aufbereiteter

Materialien trägt zur Vermeidung der Umweltverschmutzung bei und senkt den Rohstoffbedarf.

Die Abfallentsorgungssatzung Ihrer Gemeinde sieht möglicherweise vor, dass Elektrogeräte getrennt vom Hausmüll gesammelt, an der örtlichen Abfallentsorgungseinrichtung abgegeben oder beim Kauf eines neuen Produkts vom Fachhandel zur Entsorgung angenommen werden müssen.

Black & Decker nimmt Ihre ausgedienten Black & Decker-Geräte gern zurück und sorgt für eine umweltfreundliche Entsorgung bzw. Wiederverwertung. Um diese Dienstleistung in Anspruch zu nehmen, geben Sie das Gerät bitte bei einer autorisierten Reparaturwerkstatt ab, die für uns die Einsammlung übernimmt.

Die Adresse der zuständigen Niederlassung von Black & Decker steht in dieser Anleitung. Diese teilt Ihnen gerne die nächstgelegene Vertragswerkstatt mit. Außerdem ist eine Liste der Vertragswerkstätten und aller Kundendienststellen von Black & Decker sowie der zuständigen Ansprechpartner im Internet zu finden unter: www.2helpU.com.

Technische Daten

	GK1730	GK1735	GK1740	GK1930	GK1935	GK1940
Spannung (V AC)	230	230	230	230	230	230
Leistungsaufnahme (W)	1700	1700	1700	1850	1850	1850
Leertlaufdrehzahl (min ⁻¹)	5500	5500	5500	5500	5500	5500
Max. Schnittlänge (cm)	30	35	40	30	35	40
Ölfüllmenge (ml)	100	100	100	100	100	100
Gewicht (kg)	5,55	5,65	5,8	5,6	5,7	5,85
Schutzklasse	II	II	II	II	II	II

Registrierungsnummer für Geschmacksmuster in der Europäischen Union:
000417274-0001

EU-Konformitätserklärung

GK1730; GK1735; GK1740; GK1930; GK1935; GK1940
Black & Decker erklärt, dass diese Produkte den folgenden Normen entsprechen:
98/37/EG. 89/336/EWG. 73/23/EWG. 2002/96/EG. 2002/95/EG.

EN 50144. EN 55014. EN61000. EN60745
2000/14/EG. Kettensäge _ 1600 W, Anhang V
Schalldruckpegel, gemessen nach 2000/14/EG:
LpA (Schalldruck) 94.2 dB(A)
LWA (Schallleistung) 105.2 dB(A)
LWA (garantiert) 104 dB(A)

Bei einem Schalldruck über 85 dB(A) ist ein geeigneter Gehörschutz zu tragen.
Gewichteter Hand-/Arm-Vibrationswert nach EN 60745:
3.5 m/sec²

Kevin Hewitt
Director of Consumer Engineering
Spennymoor, County Durham
DL16 6JG,
Vereinigtes Königreich
31-10-2006

Garantie

Black & Decker vertraut auf die Qualität der eigenen Geräte und bietet dem Käufer eine außergewöhnliche Garantie. Diese Garantiezusage versteht sich unbeschadet der gesetzlichen Gewährleistungsansprüche und schränkt diese keinesfalls ein. Sie gilt in sämtlichen Mitgliedsstaaten der Europäischen Union und der Europäischen Freihandelszone EFTA.

Tritt innerhalb von 24 Monaten ab Kaufdatum an einem Gerät von Black & Decker ein auf Material- oder Verarbeitungsfehler zurückzuführender Mangel auf, garantiert Black & Decker den Austausch defekter Teile, die Reparatur von Geräten mit üblichem Verschleiß bzw. den Austausch eines mangelhaften Gerätes, ohne den Kunden dabei mehr als unbedingt nötig in Anspruch zu nehmen, allerdings vorbehaltlich folgender Ausnahmen:

- ◆ wenn das Gerät gewerblich, beruflich oder im Verleihgeschäft benutzt wurde;
- ◆ wenn das Gerät missbräuchlich verwendet oder mit mangelnder Sorgfalt behandelt wurde;
- ◆ wenn das Gerät durch irgendwelche Fremdeinwirkung beschädigt wurde;
- ◆ wenn ein unbefugter Reparaturversuch durch anderes Personal als das einer Vertragswerkstatt oder des Black & Decker-Kundendienstes unternommen wurde.

Zur Inanspruchnahme dieser Garantie ist dem Verkäufer bzw. der Vertragswerkstatt ein Kaufnachweis vorzulegen. Die Adresse der zuständigen Niederlassung von Black & Decker steht in dieser Anleitung. Dort teilt man Ihnen gerne die nächstgelegene Vertragswerkstatt mit. Außerdem ist eine Liste der Vertragswerkstätten und aller Kundendienststellen von Black & Decker sowie der zuständigen Ansprechpartner im Internet zu finden unter:

www.2helpU.com

Bitte besuchen Sie unsere Webseite

www.blackanddecker.de, um Ihr neues Black & Decker Produkt zu registrieren und sich über neue Produkte und Sonderangebote zu informieren. Weitere Informationen über die Marke Black & Decker und unsere Produkte finden Sie unter **www.blackanddecker.de**.

Utilisation

Votre aspirateur Black & Decker ne peut être utilisé que sur des surfaces sèches.

Consignes générales de sécurité

Attention ! Lisez toutes les instructions. Le non-respect des instructions indiquées ci-dessous peut entraîner un choc électrique, un incendie et/ou de graves blessures. La notion d'« outil électroportatif » mentionnée par la suite se rapporte à des outils électriques raccordés au secteur (avec câble de raccordement) ou fonctionnant sur piles (sans fil).

CONSERVEZ PRÉCIEUSEMENT CES CONSIGNES DE SÉCURITÉ.

1. Aire de travail

- Maintenez la zone de travail propre et bien éclairée.** Un lieu de travail en désordre ou mal éclairé augmente le risque d'accidents.
- N'utilisez pas les outils électroportatifs dans un environnement présentant des risques d'explosion ni en présence de liquides, gaz ou poussières inflammables.** Les outils électroportatifs génèrent des étincelles risquant d'enflammer les poussières ou les vapeurs.
- Pendant l'utilisation d'un outil électroportatif, les enfants et autres personnes doivent rester éloignés.** En cas d'inattention, vous risquez de perdre le contrôle de l'appareil.

2. Sécurité électrique

- La fiche de secteur de l'outil électroportatif doit convenir à la prise de courant. Ne modifiez en aucun cas la fiche. N'utilisez pas de fiches d'adaptateur avec des appareils ayant une prise de terre.** Les fiches non modifiées et les prises de courant appropriées réduisent le risque de choc électrique.
- Évitez le contact physique avec des surfaces mises à la terre telles que tuyaux, radiateurs, fours et réfrigérateurs.** Le risque de choc électrique augmente si votre corps est relié à la terre.
- N'exposez pas l'outil électroportatif à la pluie ni à l'humidité.** La pénétration d'eau dans un outil électroportatif augmente le risque de choc électrique.
- Préservez le câble d'alimentation. N'utilisez pas le câble à d'autres fins que celles prévues, n'utilisez pas le câble pour porter l'outil, pour l'accrocher ou encore pour le débrancher de la prise de courant. Maintenez le câble éloigné des sources de chaleurs, des parties grasses, des bords tranchants ou des parties de l'appareil en rotation.** Un câble endommagé ou enchevêtré augmente le risque de choc électrique.

- Si vous utilisez l'outil électroportatif à l'extérieur, utilisez une rallonge homologuée pour utilisation à l'air libre.** L'utilisation d'une rallonge électrique homologuée pour les applications extérieures réduit le risque de choc électrique.

3. Sécurité personnelle

- Restez vigilant, surveillez ce que vous faites. Faites preuve de bon sens quand vous utilisez un outil électroportatif. N'utilisez pas l'outil lorsque vous êtes fatigué ou après avoir consommé de l'alcool ainsi que des médicaments.** Un moment d'inattention lors de l'utilisation de l'outil peut entraîner de graves blessures.
 - Portez des équipements de protection. Portez toujours des lunettes de protection.** Le port d'équipements de protection tels que masque anti-poussières, chaussures de sécurité antidérapantes, casque ou protection auditive, selon le travail à effectuer, réduit le risque de blessures.
 - Évitez une mise en marche accidentelle. Assurez-vous que le bouton de mise en marche est en position Off (arrêt) avant le branchement de l'appareil.** Le non-respect de cette consigne peut entraîner des accidents, de même que le transport de l'appareil avec le doigt sur le bouton marche/arrêt.
 - Retirez tout outil ou clé de réglage avant de mettre l'outil en marche.** Une clé ou un outil se trouvant sur une partie en rotation peut causer des blessures.
 - Adoptez une position confortable. Adoptez une position stable et gardez votre équilibre en permanence.** Vous contrôlerez ainsi mieux l'outil dans des situations inattendues.
 - Portez des vêtements appropriés. Ne pas porter de vêtements flottants ou de bijoux. N'approchez pas les cheveux, vêtements ou gants des parties des pièces mobiles.** Les vêtements amples, les bijoux ou les cheveux longs peuvent être attrapés dans les pièces en mouvement.
 - En cas d'utilisation d'appareils servant à aspirer ou à recueillir les poussières, assurez-vous qu'ils sont correctement raccordés et utilisés.** L'utilisation de tels appareils permet de réduire les dangers liés aux poussières.
- #### 4. Utilisation des outils électroportatifs et précautions
- Ne surchargez pas l'outil. Utilisez l'outil électroportatif approprié pour le travail à effectuer.** Avec l'outil électroportatif approprié, vous travaillerez mieux et avec plus de sécurité à la vitesse pour laquelle il a été conçu.
 - N'utilisez pas un outil électroportatif dont l'interrupteur marche/arrêt est défectueux.** Un outil électroportatif qui ne peut plus être mis en marche ou arrêté est dangereux et doit être réparé.

- c. Débranchez la prise de courant avant d'effectuer des réglages sur l'outil, de changer les accessoires ou de ranger l'outil.** Cette mesure de précaution permet d'éviter une mise en marche involontaire.
- d. Rangez les outils électroportatifs hors de portée des enfants. Les personnes ne connaissant pas l'outil ou n'ayant pas lu ces instructions ne doivent en aucun cas l'utiliser.** Les outils électroportatifs sont dangereux lorsqu'ils sont utilisés par des personnes non initiées.
- e. Prenez soin des outils électroportatifs. Vérifiez que les parties en mouvement fonctionnent correctement et qu'elles ne sont pas coincées. Vérifiez qu'il n'y a pas de pièces cassées ou endommagées susceptibles de nuire au bon fonctionnement de l'outil. S'il est endommagé, faites réparer l'outil avant de l'utiliser.** De nombreux accidents sont la conséquence d'outils mal entretenus.
- f. Maintenez les outils de coupe aiguisés et propres.** Des outils soigneusement entretenus avec des bords tranchants bien aiguisés se coincent moins souvent et peuvent être guidés plus facilement.
- g. Utilisez les outils électroportatifs, les accessoires, les outils à monter, etc. en respectant les instructions et les prescriptions en vigueur pour ce type d'outils. Tenez compte également des conditions de travail et du travail à effectuer.** L'utilisation des outils électroportatifs à d'autres fins que celles prévues peut entraîner des situations dangereuses.
- 5. Réparations**
- a. Faites réparer votre outil électroportatif uniquement par du personnel qualifié et seulement avec des pièces de rechange d'origine.** Votre sécurité sera ainsi garantie.

Consignes de sécurité supplémentaires applicables aux tronçonneuses

- * **Gardez l'ensemble du corps éloigné de la chaîne coupante pendant le fonctionnement de la tronçonneuse. Avant de démarrer, il ne doit exister aucun contact avec la chaîne coupante.** En cas d'inattention pendant le fonctionnement de la tronçonneuse, la chaîne peut attraper vos vêtements ou se trouver en contact avec une partie de votre corps.
- * **Maintenez toujours la tronçonneuse avec la main droite sur la poignée arrière et la main gauche sur la poignée avant.** Il ne faut en aucun cas inverser les mains pour maintenir la tronçonneuse. Ceci pourrait provoquer des blessures.
- * **Portez des lunettes de sécurité et un serre-tête antibruit. Un équipement de protection de la tête, des mains, des jambes et des pieds est aussi recommandé.** Des vêtements de protection appropriés permettront de réduire les blessures éventuelles dues à des projections ou à un contact accidentel avec la chaîne coupante.
- * **N'utilisez pas la tronçonneuse dans un arbre.** Le non respect de cette consigne est susceptible de provoquer des blessures.
- * **Adoptez toujours une position stable et ne faites fonctionner la tronçonneuse que si vous vous trouvez sur une surface fiable, ferme et de niveau.** Les surfaces glissantes et non stables, comme des échelles, peuvent provoquer une perte d'équilibre ou de contrôle de la tronçonneuse.
- * **Lorsque vous coupez une branche maîtresse cintrée, prenez garde au redressement.** Lorsque le bois se décentre, la branche peut frapper l'opérateur et/ou lui faire perdre le contrôle de la tronçonneuse.
- * **Soyez extrêmement prudent pour la coupe de jeunes arbres et de bosquets.** Les tiges pourraient s'accrocher dans la chaîne coupante et être éjectées vers vous ou vous faire perdre l'équilibre.
- * **Portez la tronçonneuse par la poignée avant avec l'interrupteur marche/arrêt en position Off. Tenez-la éloignée de l'ensemble de votre corps. Pendant le transport ou le rangement de la tronçonneuse, installez toujours le cache du guide-chaîne.** Une manipulation appropriée de la tronçonneuse réduira les risques de contacts accidentels quand la chaîne coupante tourne.
- * **Suivez les instructions pour le graissage, la tension de la chaîne et le changement des accessoires.** Une chaîne mal tendue ou mal graissée peut soit se casser, soit provoquer un retour de chaîne.
- * **Veillez à ce que les poignées soient sèches et propres, sans trace d'huile ou de graisse.** Les poignées graisseuses peuvent provoquer une perte de contrôle.
- * **Ne coupez que du bois. N'utilisez la tronçonneuse que pour les travaux auxquels elle est destinée. Par exemple : n'utilisez pas la tronçonneuse pour couper le plastique, la pierre ou des matériaux de construction différents du bois.** L'utilisation de la tronçonneuse à d'autres fins que celles prévues peut entraîner des situations dangereuses.

Causes et prévention de retour de chaîne :

Un retour de chaîne peut se produire quand l'extrémité du guide-chaîne touche un objet ou quand du bois se coince et bloque la chaîne dans l'entaille.

Le contact du bout de la chaîne peut dans certains cas provoquer une réaction inverse soudaine, soulevant le guide-chaîne et se retourner vers l'utilisateur.

Si la chaîne se trouve coincée en haut du guide-chaîne, le guide peut se retourner rapidement vers l'utilisateur

Ce genre de réaction risque de vous faire perdre le contrôle de la tronçonneuse et provoquer de graves blessures. Ne vous fiez pas uniquement aux dispositifs de sécurité de votre tronçonneuse. En temps qu'utilisateur, vous devez prendre

les mesures nécessaires pour que les travaux de découpe soient le plus fiables possible.

Le retour de chaîne est le résultat d'une utilisation inappropriée de l'outil voire de procédures ou de conditions d'utilisation incorrectes. Il peut être évité en appliquant les précautions adéquates, décrites ci-dessous.

- * **Maintenez fermement la tronçonneuse en serrant les poignées avec vos mains. Avec les deux mains sur la tronçonneuse, placez votre corps et votre bras de manière à pouvoir résister à la puissance d'un retour de chaîne.** La puissance d'un retour de chaîne peut être contrôlée par l'utilisateur si les précautions nécessaires sont prises. Ne relâchez pas la tronçonneuse.
- * **Adoptez une position confortable et ne coupez pas au-dessus de la hauteur de votre épaule.** Ceci permet d'éviter un contact accidentel du bout de la chaîne et d'obtenir un meilleur contrôle de la tronçonneuse dans des situations inattendues.
- * **N'utilisez que les guides et les chaînes de remplacement prescrites par le fabricant.** La chaîne risque de se casser ou un retour de chaîne peut se produire si cette consigne n'est pas respectée.
- * **Suivez les consignes d'entretien et d'affûtage données par le fabricant de la chaîne coupante.** Si vous abaissez la hauteur de l'indicateur de profondeur, les risques de retour de chaîne sont augmentés.

Recommandations de sécurité applicables aux tronçonneuses

- * Si vous utilisez cet outil pour la première fois, nous vous conseillons vivement d'obtenir, auprès d'un utilisateur expérimenté, des conseils pratiques concernant l'utilisation de la tronçonneuse et l'équipement de protection. Pour terminer l'apprentissage, il est conseillé de s'entraîner en sciant des bûches sur un chevalet de sciage ou sur un berceau.
- * Nous vous recommandons de porter la tronçonneuse avec le frein enclenché.
- * Entretenez votre tronçonneuse même si vous ne l'utilisez pas. Si vous souhaitez ranger votre tronçonneuse, enlevez toujours la chaîne et le guide-chaîne. Trempez-les dans un bain d'huile. Rangez toutes les pièces de votre tronçonneuse dans un endroit sec et sûr hors de portée des enfants.
- * Nous vous recommandons de vidanger le réservoir d'huile avant de ranger la tronçonneuse.
- * Tenez-vous dans un endroit sûr et prévoyez une issue fiable en cas de chute de branches ou d'arbre.
- * Utilisez des coins pour contrôler l'abattage et éviter de plier le guide-chaîne et la chaîne dans l'entaille.

- * Entretien de la chaîne coupante. Assurez-vous que la chaîne est fermement enroulée sur le guide-chaîne. Vérifiez que la chaîne et le guide sont bien propres et bien huilés. Veillez à ce que les poignées soient sèches et propres, sans trace d'huile ou de graisse.

Un retour de chaîne peut se produire lorsque :

- * Vous heurtez des branches ou d'autres objets accidentellement avec une extrémité de la tronçonneuse lorsque la chaîne tourne.
- * Vous heurtez du métal, du ciment ou tout autre matériau dur placé à côté du bois, ou enfoui dans le bois.
- * La chaîne est émoussée ou desserrée.
- * Vous coupez au-dessus de la hauteur de l'épaule.
- * Vous manquez d'attention lorsque vous tenez ou guidez la tronçonneuse pendant la coupe.
- * Vous faites un effort excessif. Adoptez une position stable et gardez votre équilibre en permanence et ne faites aucun effort non approprié.
- * Vous essayez d'insérer la scie dans une entaille préexistante. Ceci peut provoquer un retour de chaîne. Faites toujours une nouvelle entaille.
- * N'utilisez pas la tronçonneuse lorsque vous êtes monté sur un arbre, une échelle ou toute autre surface instable. Si vous décidez de le faire, soyez conscient du fait que ces positions sont extrêmement dangereuses.
- * Lorsque vous coupez une branche cintrée, prenez garde au redressement qui pourrait se produire lorsque la tension se relâche.

Évitez de scier :

- * Du bois préparé.
- * Dans le sol.
- * Des haies à grillage, du bois cloué, etc.
- * Des arbustes ou des bosquets de petites tailles. Les tiges fines peuvent s'accrocher dans la chaîne et être éjectées vers vous ou vous déséquilibrer.
- * N'utilisez pas l'outil à une hauteur au-dessus de votre épaule.
- * Travaillez toujours avec quelqu'un à proximité (tout en respectant une distance de sécurité), pour le cas où un accident se produirait.
- * Si vous devez toucher la chaîne pour quelque raison que ce soit, assurez-vous que la tronçonneuse est bien débranchée.
- * Le bruit émis par la tronçonneuse peut dépasser les 85 dB(A).
- * Nous vous recommandons donc vivement de prendre les mesures appropriées pour vous protéger contre le bruit.

Votre outil est marqué des symboles suivants :



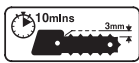
Lisez attentivement le manuel complet.



N'exposez pas votre tronçonneuse à la pluie ni à l'humidité.



Portez toujours des lunettes de sécurité et une protection auditive.



Vérifiez la tension de la chaîne toutes les 10 minutes. Réglez-la avec un jeu de 3 mm.



Débranchez toujours la prise du courant avant de vérifier un câble endommagé. N'utilisez pas votre tronçonneuse si un câble est endommagé.



Le bruit émis par la tronçonneuse peut dépasser les 85 dB(A).

Sécurité électrique



L'outil est doublement isolé ; par conséquent, aucun câble de masse n'est nécessaire. Vérifiez si le voltage mentionné sur la plaque signalétique de la machine correspond bien à la tension de réseau présente sur le lieu.

Instructions de sécurité supplémentaires

- * Cet appareil n'est pas destiné à être utilisé par des personnes jeunes ou déficientes sans surveillance. Afin d'éviter que les enfants jouent avec cet appareil, ne les laissez pas sans surveillance.
- * Si le câble d'alimentation est endommagé, il doit être remplacé par le fabricant ou par un Centre de réparation agréé Black & Decker pour éviter tout risque.

Protégez-vous contre les chocs électriques.

- * Évitez de toucher des surfaces reliées à la terre (par exemple, les grillages métalliques, les lampadaires, etc.). Utilisez un dispositif de courant résiduel à grande sensibilité (30 mA/30mS) (RCD) pour améliorer la sécurité électrique.

Attention ! L'utilisation d'un dispositif RCD ou autre disjoncteur ne dispense pas l'utilisateur d'appliquer les consignes de sécurité et de travailler dans des conditions sûres, comme indiqué dans ce manuel de l'utilisateur.

Caractéristiques

1. Interrupteur marche/arrêt
2. Bouton de déblocage
3. Bouchon d'huile
4. Ensemble protection avant/frein de chaîne
5. Vis de réglage de tension de chaîne
6. Chaîne
7. Guide-chaîne
8. Gaine de chaîne
9. Bouton du cache-chaîne
10. Cache-chaîne
11. Indicateur de niveau d'huile

MONTAGE

Graissage de la chaîne (figure A)

Le graissage doit être effectué à chaque utilisation d'une nouvelle chaîne (6). Sortez la nouvelle chaîne (6) de son sac en plastique et faites-la tremper dans de l'huile pour chaîne au moins pendant une heure avant de l'utiliser. N'utilisez que de l'huile pour chaîne Black & Decker.

Nous recommandons de n'utiliser qu'une seule marque d'huile pendant toute la durée de vie de votre tronçonneuse. Si des huiles différentes sont mélangées, l'huile peut se dégrader, et raccourcir de manière conséquente la durée de vie de la tronçonneuse.

N'utilisez jamais de l'huile usagée, épaisse ou de l'huile de machine à coudre très liquide. Ceci pourrait endommager votre tronçonneuse.

Pose du guide de chaîne et de la chaîne (figure A - F)



Attention ! Portez toujours des gants de protection quand vous effectuez des travaux sur votre tronçonneuse.

- * Placez la tronçonneuse sur une surface stable.
- * Desserrez et démontez le bouton du cache-chaîne (9) (figure A).
- * Réglez la protection avant en position ① (figure C).
- * Retirez le cache-chaîne (10).
- * Placez la chaîne (6) sur le guide-chaîne (7) en dirigeant les dents de la partie supérieure du guide-chaîne vers l'avant (figure B).
- * Guidez la chaîne (6) autour du guide (7) et tirez-la pour former une boucle sur un côté à l'extrémité arrière du guide.
- * Placez la chaîne (6) et le guide de chaîne (7) sur la tronçonneuse. Guidez la chaîne (6) autour de la roue d'entraînement (12). Placez le guide-chaîne (7) sur les goujons (13). Assurez-vous que la cheville coulissante (14) est bien située dans le trou de réglage de tension (15) (figure E).

- * Assurez-vous que le frein (4) est en position "set" (frein enclenché) ① avant de réinstaller (figure C).
- * Placez le cache-chaîne (10) sur la tronçonneuse.
- * Remplacez le bouton du cache-chaîne (9) et serrez-le fermement à la main.
- * Tournez la vis de réglage de tension de chaîne (5) (figure E) dans le sens des aiguilles d'une montre jusqu'à ce que la chaîne (6) soit tendue. Vérifiez que la chaîne (6) est correctement placée autour du guide-chaîne (7). Ne serrez pas trop.
- * Serrez le bouton du cache-chaîne (9).

Contrôle et réglage de la tension de la chaîne (figure E et G)

- * Avant d'utiliser la tronçonneuse et toutes les 10 minutes pendant l'utilisation, vous devez vérifier la tension de la chaîne.
- * Tirez légèrement sur la chaîne (6) comme indiqué (figure G). La tension est correcte si la chaîne (6) se remet automatiquement en place lorsque vous l'éloignez de 3 mm du guide-chaîne (7). La chaîne ne doit pas être détendue entre le guide (7) et la chaîne (6) sur le côté inférieur.

Remarque : ne tendez pas excessivement la chaîne (6). Ceci entraînerait une usure prématurée et réduirait la durée de vie du guide (7) et de la chaîne (6).

Remarque : lorsque la chaîne (6) est neuve, vérifiez fréquemment sa tension (après avoir débranché la tronçonneuse de la prise) pendant les deux premières heures d'utilisation. Les nouvelles chaînes ont tendance à se détendre légèrement.

Pour augmenter la tension :

- * Tournez la vis de réglage de tension de chaîne (5a) dans le sens des aiguilles d'une montre.

Remplissage du réservoir d'huile (figure F)

- * Enlevez le bouchon du réservoir d'huile (3) et remplissez le réservoir avec l'huile pour chaîne recommandée. Le niveau d'huile peut être observé sur l'indicateur (11). Revissez le bouchon d'huile (3).
- * Arrêtez régulièrement l'appareil pour vérifier l'indicateur de niveau d'huile (11). Si le niveau est inférieur au quart, débranchez votre tronçonneuse de la prise et remplissez le réservoir d'huile au niveau approprié.

Frein d'arrêt automatique de chaîne (figure C)

- * Cet outil est muni d'un frein d'arrêt automatique (4). La chaîne (6) s'arrête automatiquement en 150 ms si vous relâchez la gâchette arrière, ou en cas de retour de chaîne. Le frein de chaîne (4) doit être vérifié avant chaque utilisation.

Enclenchement du frein de chaîne (figure C)

- * Vérifiez que la tronçonneuse est bien débranchée.

- * Tirez l'ensemble protection avant/frein de chaîne (4) vers l'arrière dans la position "set" (frein enclenché) ① (figure C).

Vous pouvez à présent utiliser la tronçonneuse.

Fonctionnement du frein de chaîne anti-retour

En cas de retour de chaîne, votre main gauche entre en contact avec la protection avant, la poussant vers l'avant, vers le morceau de bois. L'outil s'arrête alors au bout de 150 ms.

Fonctionnement du frein de chaîne activé par inertie

L'ensemble protection avant/frein de chaîne (4) est activé lorsque la protection est poussée vers l'avant, soit manuellement, par le dos de la main de l'utilisateur, soit par son propre poids. L'avantage du frein à inertie est qu'il s'active en cas de retour très puissant. Par exemple si la chaîne (6) touche du métal. Même si l'utilisateur ne se trouve pas en contact avec la protection avant, c'est à dire quand la tronçonneuse est en position d'abattage.

Vérification du frein de chaîne anti-retour (figure C)

- * Saisissez fermement l'outil à deux mains sur une surface ferme. Assurez-vous que la chaîne (6) ne repose pas sur le sol et mettez-le en marche (voir "Mise en marche de votre tronçonneuse").
- * Faites pivoter votre main gauche autour de la poignée avant pour que le dos de votre main entre en contact avec l'ensemble protection avant/frein de chaîne (4) et poussez-la en avant, vers le morceau de bois (figure C). La chaîne (6) doit s'arrêter en quelques fractions de seconde.

Pour recommencer le travail après le fonctionnement de l'ensemble protection avant/frein de chaîne (4) :

- * Suivez les instructions de la rubrique "Enclenchement du frein de chaîne".

Remarque : il ne sera pas possible de mettre l'outil en marche si l'ensemble protection avant/frein de chaîne (4) n'est pas en position "set" (frein enclenché) ①.

Remarque : évitez de faire redémarrer l'outil si le moteur n'est pas complètement silencieux.

Remarque : si la chaîne (6) ne s'arrête pas immédiatement, il faut la retendre (voir "Installation du guide-chaîne et de la chaîne").

Mise en marche de l'outil (figure F)

- * Saisissez fermement la tronçonneuse à deux mains. Enfoncez le bouton de déblocage (2) et appuyez sur l'interrupteur marche/arrêt (1) pour démarrer.
- * Lorsque le moteur démarre, enlevez votre pouce du bouton de déblocage et saisissez fermement la poignée.

N'exercez aucune force inutile sur l'outil. Laissez-le fonctionner normalement.

Il garantit une meilleure sécurité et un meilleur résultat en fonctionnant à la vitesse pour laquelle il est conçu. Vous risquez de détendre la chaîne (6) en forçant sur l'appareil.

En cas de blocage de la chaîne coupante (6) ou du guide-chaîne (7) :

- * Arrêtez l'outil.
- * Débranchez-le du secteur.
- * Écartez l'entaille à l'aide de coins pour libérer le guide-chaîne (7). N'essayez pas de dégager la tronçonneuse par la force. Recommencez la coupe à partir d'une nouvelle entaille.

Abattage (figure H - J)

Les utilisateurs inexpérimentés ne doivent en aucun cas essayer d'abattre des arbres. La chute de l'arbre peut être difficile à contrôler, il peut se fendre ou des branches mortes/cassées peuvent tomber pendant la coupe. Ceci peut entraîner des blessures, ainsi que des dommages.

La distance de sécurité entre un arbre à couper et les personnes, bâtiments ou autres objets se trouvant à proximité doit être au moins égale à 2½ fois la hauteur de l'arbre. Les personnes, bâtiments ou objets se trouvant en deçà de cette distance risquent d'être heurtés au cours de la chute de l'arbre.

Avant d'essayer d'abattre un arbre :

- * Assurez-vous que la législation ou les réglementations locales n'interdisent ou ne limitent pas l'abattage.
- * Tenez compte de toutes les conditions pouvant affecter la direction de la chute, notamment :
 - * La direction de chute souhaitée.
 - * L'inclinaison naturelle de l'arbre.
 - * Toute carie ou défaut important de la structure d'une branche maîtresse.
 - * Les arbres environnants et les obstacles, en particulier les lignes aériennes.
 - * La vitesse et la direction du vent.

Avant l'abattage, vérifiez où vont tomber les arbres ou les branches. Assurez-vous qu'il n'existe aucun obstacle risquant d'empêcher ou de gêner vos déplacements. N'oubliez pas que l'herbe mouillée et l'écorce fraîchement coupée sont glissantes.

Ne tentez pas d'abattre des arbres ayant un diamètre supérieur à la longueur de coupe de la tronçonneuse.

Une entaille doit être coupée pour déterminer la direction de la chute.

L'arbre doit être entaillé horizontalement à une profondeur entre 1/5 et 1/3 de diamètre, perpendiculaire à la ligne de chute à la base de l'arbre (figure H). Faites ensuite une seconde entaille d'un angle de 45° au-dessus de la première entaille.

Entaillez horizontalement de l'autre côté à une hauteur de 1-2 pouces au-dessus du centre de l'entaille de direction (figure I). Ne coupez pas dans cette entaille, vous risqueriez de perdre le contrôle de la direction de la chute.

Placez un ou plusieurs coins dans cette entaille afin de l'ouvrir et de faire tomber l'arbre (figure J).

Élagage des arbres

Assurez-vous que la législation ou les réglementations locales n'interdisent ou ne limitent pas l'élagage. L'élagage ne doit être effectué que par des utilisateurs expérimentés. Il y a un risque de retour de chaîne et celle-ci peut se coincer.

Avant l'élagage, tenez compte de toutes les conditions pouvant affecter la direction de la chute, notamment :

- * La longueur et le poids de la branche à élaguer.
- * Toute carie ou défaut important de la structure d'une branche maîtresse.
- * Les arbres environnants et les obstacles, en particulier les lignes aériennes.
- * La vitesse et la direction du vent.
- * Une branche entrelacée dans les autres branches.

L'utilisateur doit vérifier l'accès aux branches et la direction de la chute. La branche peut bouger en direction du tronc de l'arbre. Ceci peut s'avérer dangereux pour les personnes, les objets et les bâtiments sous la branche.

Pour éviter les éclats, faites une première entaille vers le haut à une profondeur maximum d'un tiers du diamètre de la branche. Puis, faites une seconde entaille vers la bas qui croise la première.

Coupe de bûches (figure K, L et M)

La façon de couper la bûche dépend de sa position. Si possible, utilisez un chevalet de sciage. Commencez toujours la coupe avec la chaîne (6) en marche et la griffe d'abattage (17) reposant sur le bois (figure K). Pour exécuter cette opération, faites pivoter la griffe d'abattage contre le bois.

Lorsqu'elle est soutenue sur toute sa longueur :

- * Faites une entaille vers le bas, mais évitez de toucher le sol pour ne pas émousser la tronçonneuse.

Lorsqu'elle est soutenue aux deux extrémités :

- * Coupez d'abord la bûche vers le bas sur un tiers de sa hauteur pour éviter qu'elle ne se fende. Puis, réalisez une seconde entaille qui rejoindra la première.

Lorsqu'elle est soutenue à une extrémité :

- * Coupez d'abord la bûche sur un tiers de sa hauteur vers le haut pour éviter qu'elle ne se fende. Puis, coupez vers le bas.

Sur un terrain en pente (figure L) :

- * Faites toujours face à la pente.

Avec un chevalet de sciage (figure M) :

Si possible, il est vivement conseillé d'utiliser un chevalet.

- * Placez la bûche dans une position stable. Coupez toujours à l'extérieur des supports du chevalet de sciage. Utilisez des pinces ou des sangles pour maintenir la bûche.

Si la découpe doit se faire au sol, installez la bûche avec des cales ou des coins. Personne ne doit se trouver debout ou assis sur la bûche. La chaîne coupante ne doit pas être en contact avec le sol.

Entretien

Un entretien régulier permet de prolonger la durée de vie de l'outil. Il est conseillé de procéder régulièrement aux vérifications suivantes.

Niveau d'huile

Le réservoir doit toujours être rempli au moins au quart de sa capacité.

Chaîne coupante et guide-chaîne (figure G)

- * Après quelques heures d'utilisation, enlevez la chaîne coupante (6) et le guide-chaîne (7) et nettoyez-les soigneusement.
- * Lors du montage, le guide-chaîne (7) doit toujours être tourné à 180° et l'extrémité de la roue d'entraînement doit être graissée par l'orifice de lubrification (16). Ceci permet d'éviter une usure irrégulière autour des rails du guide-chaîne.

Affûtage de la chaîne

Pour un rendement maximum, il est important que les dents de la scie soient toujours bien affûtées. Vous trouverez les instructions pour l'affûtage sur le kit d'affûtage. Nous vous recommandons d'acheter le kit d'affûtage de chaîne coupante Black & Decker (disponible auprès des revendeurs et des réparateurs Black & Decker).

Remplacement des chaînes usées

Vous pourrez vous procurer des chaînes coupantes de rechange auprès des détaillants ou des réparateurs agréés Black & Decker. N'utilisez que des pièces d'origine.

Affûtage de la chaîne

Les dents de la chaîne s'émousent immédiatement si elles touchent le sol ou un clou pendant la coupe.

Tension de la chaîne

Vérifiez régulièrement la tension de la chaîne.

Que faire si votre tronçonneuse doit être réparée ?

Votre tronçonneuse est conforme aux normes de sécurité en vigueur. Les réparations doivent être effectuées exclusivement par des personnes qualifiées utilisant des pièces de rechange d'origine. Dans le cas contraire, cela pourrait être très dangereux pour l'utilisateur. Nous vous conseillons de conserver ce manuel d'utilisateur dans un endroit sûr.

Remplacement des prises principales (RU et Irlande uniquement)

Si une nouvelle prise doit être installée :

- * Mettez au rebut la vieille prise.
- * Branchez le fil brun dans la fiche de la nouvelle prise.
- * Branchez le fil bleu à la borne neutre.

Attention ! Aucune connexion ne doit être faite à la borne de terre. Suivez les instructions de montage fournies avec les prises de bonne qualité. Fusibles recommandés : 10 A.

Protection de l'environnement



Si vous pensez un jour que votre outil doit être remplacé ou que vous n'en avez plus l'usage, songez à la protection de l'environnement. Les réparateurs agréés Black & Decker peuvent récupérer les anciens appareils Black & Decker et les mettre au rebut en conformité avec la protection de l'environnement.



La collecte séparée des produits et des emballages usagés permet de recycler et de réutiliser des matériaux. La réutilisation de matériaux recyclés évite la pollution de l'environnement et réduit la demande de matières premières.

Des réglementations locales peuvent stipuler la collecte séparée des produits électriques et des produits ménagers, dans des déchetteries municipales ou par le revendeur lorsque vous achetez un nouveau produit.

Black & Decker fournit un dispositif permettant de recycler les produits Black & Decker lorsqu'ils ont atteint la fin de leur cycle de vie. Pour pouvoir profiter de ce service, veuillez retourner votre produit à un réparateur agréé qui se chargera de le collecter pour nous.

Pour connaître l'adresse du réparateur agréé le plus proche de chez vous, contactez le bureau Black & Decker à l'adresse indiquée dans ce manuel. Vous pourrez aussi trouver une liste de réparateurs agréés de Black & Decker et de plus amples détails sur notre service après-vente sur le site Internet à l'adresse suivante : www.2helpU.com.

Caractéristiques techniques

	GK1730	GK1735	GK1740	GK1930	GK1935	GK1940
Tension (V c.a.)	230	230	230	230	230	230
Puissance d'alimentation (W)	1700	1700	1700	1850	1850	1850
Vitesse hors charge (min ⁻¹)	5500	5500	5500	5500	5500	5500
Longueur maximum de coupe (cm)	30	35	40	30	35	40
Capacité du réservoir à huile (ml)	100	100	100	100	100	100
Poids (kg)	5,55	5,65	5,8	5,6	5,7	5,85
Classe de sécurité	II	II	II	II	II	II

N° de conception, Communauté européenne
000417274-0001

Déclaration de conformité CE

GK1730; GK1735; GK1740; GK1930; GK1935; GK1940

Black & Decker déclare que ces produits sont conformes à :
98/37/EC. 89/336/CEE. 73/23/CEE. 2002/96/EC. 2002/95/EC.

EN 50144. EN 55014. EN61000. EN60745

2000/14/EC. Tronçonneuse _ 1600 w. Annexe V

Niveau de pression acoustique, mesuré selon la norme 2000/14/EC :

LpA (pression sonore) 94.2 dB(A)

LWA (puissance acoustique) 105.2 dB(A)

LWA (garanti) 104 dB(A)

Le port de protection auditive est obligatoire si la pression sonore dépasse 85 dB (A).

Niveau de vibration main/bras selon la norme EN 60745 :
3.5 m/sec²



Kevin Hewitt
Directeur Ingénierie Client
Spennymoor, County Durham
DL16 6JG,
Royaume-Uni
31-10-2006

Garantie

Black & Decker vous assure la qualité de ses produits et vous offre une garantie très étendue. Ce certificat de garantie est un document supplémentaire et ne peut en aucun cas se substituer à vos droits légaux. La garantie est valable sur tout le territoire des États Membres de l'Union Européenne et de la Zone de Libre Échange Européenne.

Si un produit Black & Decker s'avère défectueux en raison de matériaux en mauvaises conditions, d'une erreur humaine, ou d'un manque de conformité dans les 24 mois suivant la date d'achat, Black & Decker garantit le remplacement des pièces défectueuses, la réparation des produits usés ou cassés ou remplace ces produits à la convenance du client, sauf dans les circonstances suivantes :

- * Le produit a été utilisé dans un but commercial, professionnel, ou a été loué.
- * Le produit a été mal utilisé ou avec négligence.
- * Le produit a subi des dommages à cause de corps étrangers, de substances ou d'accidents.
- * Des réparations ont été tentées par des techniciens ne faisant pas partie du service technique de Black & Decker.

Pour avoir recours à la garantie, il est nécessaire de fournir une preuve d'achat au vendeur ou à un réparateur agréé.

Pour connaître l'adresse du réparateur agréé le plus proche de chez vous, contactez le bureau Black & Decker à l'adresse indiquée dans ce manuel. Vous pourrez aussi trouver une liste de réparateurs agréés de Black & Decker et de plus amples détails concernant notre service après-vente sur le site Internet : www.2helpU.com

Visitez notre site Web www.blackanddecker.fr pour enregistrer votre nouveau produit Black & Decker et être informé des nouveaux produits et des offres spéciales. Pour plus d'informations concernant la marque Black & Decker et notre gamme de produits, consultez notre site www.blackanddecker.fr.

Uso previsto

La motosega Black & Decker è stata progettata per potare e abbattere alberi e per tagliare ceppi. Questo elettroutensile è destinato al solo utilizzo non professionale.

Norme generiche di sicurezza

Attenzione! Leggere tutte le istruzioni. La mancata osservazione delle presenti istruzioni potrebbe causare scosse elettriche, incendi e/o infortuni gravi. Il termine "elettroutensile" che ricorre in tutte le avvertenze seguenti si riferisce ad utensili elettrici con o senza filo.

CONSERVARE QUESTE ISTRUZIONI.

1. Area di lavoro

- a. **Mantenere pulita e bene illuminata l'area di lavoro.** Il disordine e la scarsa illuminazione possono causare incidenti.
- b. **Evitare d'impiegare gli elettroutensili in ambienti esposti al rischio di esplosione, ad esempio in presenza di liquidi, gas o polveri infiammabili.** Gli elettroutensili producono scintille che possono far infiammare la polvere o i fumi.
- c. **Mantenere lontani bambini ed astanti mentre si usa l'elettroutensile.** Eventuali distrazioni possono comportare la perdita del controllo dell'elettroutensile.

2. Sicurezza elettrica

- a. **La spina elettrica deve essere adatta alla presa. Evitare assolutamente di alterare la spina. Non impiegare spine adattatrici con elettroutensili provvisti di messa a terra.** L'uso di spine inalterate e delle prese corrispondenti riduce il rischio di scosse elettriche.
- b. **Evitare il contatto fisico con superfici collegate a terra, come tubi, radiatori, forni e frigoriferi.** Un corpo collegato a terra è esposto maggiormente al rischio di scosse elettriche.
- c. **Custodire gli elettroutensili al riparo dalla pioggia o dall'umidità.** L'eventuale infiltrazione di acqua in un elettroutensile va ad aumentare il rischio di scosse elettriche.
- d. **Non esporre il cavo a sollecitazioni. Non usare il cavo per trasportare o trainare l'elettroutensile e non tirarlo per estrarre la spina dalla presa di corrente. Mantenere il cavo al riparo dal calore, da bordi taglienti e/o da parti in movimento.** I cavi danneggiati o aggrovigliati aumentano il rischio di scosse elettriche.
- e. **Se l'elettroutensile viene adoperato all'aperto, usare esclusivamente prolunghe omologate per l'impiego all'esterno.** Un cavo adatto per uso esterno riduce il rischio di scosse elettriche.

3. Sicurezza delle persone

- a. **È importante concentrarsi su ciò che si sta facendo e maneggiare con giudizio l'elettroutensile. Non adoperare l'elettroutensile se si è stanchi o sotto l'effetto di stupefacenti, alcol o medicinali.** Un attimo di distrazione durante l'uso dell'elettroutensile può causare gravi infortuni personali.
 - b. **Indossare sempre un equipaggiamento protettivo. Indossare sempre degli occhiali di sicurezza.** Avendo cura d'indossare l'equipaggiamento protettivo necessario - ad esempio maschera antipolvere, calzature antiscivolo, casco o otoprotezioni - si ridurrà il rischio di infortuni.
 - c. **Evitare l'accensione involontaria dell'elettroutensile. Prima di inserire la spina nella presa, controllare che l'interruttore sia spento.** Il trasporto di elettroutensili tenendo le dita sull'interruttore oppure l'inserimento della spina di alimentazione di un elettroutensile con l'interruttore acceso, aumenta il rischio di incidenti.
 - d. **Prima di accendere un elettroutensile, togliere eventuali chiavi o attrezzi di regolazione.** Un attrezzo o una chiave lasciati in un componente mobile dell'elettroutensile possono causare lesioni.
 - e. **Non sporgersi. Mantenere sempre un buon equilibrio evitando posizioni malsicure.** In questo modo è possibile controllare meglio l'elettroutensile in situazioni inaspettate.
 - f. **Vestirsi adeguatamente. Evitare di indossare indumenti larghi o gioielli. Tenere capelli, vestiti e guanti lontani da pezzi in movimento.** Vestiti larghi, gioielli o capelli lunghi possono impigliarsi nelle parti in movimento.
 - g. **Se gli elettroutensili sono provvisti di attacchi per il collegamento di dispositivi di aspirazione o di raccolta della polvere, assicurarsi che questi siano installati e utilizzati correttamente.** L'impiego di tali dispositivi può ridurre i rischi correlati alle polveri.
- ### 4. Uso e cura degli elettroutensili
- a. **Non sovraccaricare l'elettroutensile. Usare l'elettroutensile adatto per il lavoro da eseguire.** Utilizzando l'elettroutensile adatto si potrà lavorare meglio e con maggiore sicurezza alla potenza nominale prevista.
 - b. **Non utilizzare elettroutensili con interruttori difettosi.** Un elettroutensile che non può essere controllato mediante l'interruttore è pericoloso e deve essere riparato.
 - c. **Estrarre la spina dalla presa di corrente prima di regolare l'elettroutensile, di sostituire gli accessori o di riporre l'elettroutensile.** Queste precauzioni riducono la possibilità che l'elettroutensile venga messo in funzione accidentalmente.

- d. **Quando non vengono usati, gli elettroutensili devono essere custoditi fuori della portata dei bambini. Non consentire l'uso dell'elettroutensile a persone inesperte o che non abbiano letto le presenti istruzioni.** Gli elettroutensili risultano pericolosi se usati da persone inesperte.
- e. **Sottoporre gli elettroutensili alle procedure di manutenzione del caso. Verificare che le parti mobili siano bene allineate e non inceppate, che non vi siano componenti rotti e che non sussistano altre condizioni che possano compromettere il funzionamento dell'elettroutensile. In caso di danni, riparare l'elettroutensile prima dell'uso.** La scarsa manutenzione causa molti incidenti.
- f. **Mantenere affilati e puliti gli utensili da taglio.** Se sottoposti alla giusta manutenzione, gli utensili da taglio con taglienti affilati s'inceppano meno frequentemente e sono più facili da manovrare.
- g. **Utilizzare l'elettroutensile, gli accessori, le punte ecc. in conformità alle presenti istruzioni e secondo la specifica destinazione prevista, tenendo conto delle condizioni d'esercizio e del lavoro da completare.** L'impiego degli elettroutensili per usi diversi da quelli previsti può dar luogo a situazioni di pericolo.
5. **Riparazioni**
- a. **Fare riparare l'elettroutensile solo ed esclusivamente da personale specializzato e solo usando pezzi di ricambio originali.** Ciò permetterà di conservare le condizioni di sicurezza dell'elettroutensile.

Ulteriori precauzioni di sicurezza per le motoseghe

- ◆ **Mantenere ogni parte del corpo lontana dalla motosega durante l'impiego. Prima di accendere la motosega, assicurarsi che la catena della sega non sia a contatto di altre parti.** Un attimo di distrazione durante l'impiego della motosega può far impigliare l'abbigliamento o parti del corpo nella motosega.
- ◆ **Tenere sempre la motosega con la mano destra sull'impugnatura posteriore e quella sinistra sull'impugnatura anteriore.** Se la motosega viene tenuta all'incontrario rispetto a quanto consigliato, si aumenta il rischio di lesioni personali e non bisogna mai farlo.
- ◆ **Indossare occhiali di sicurezza e otoprotezioni. Si consiglia inoltre un equipaggiamento protettivo per testa, mani, gambe e piedi.** Un abbigliamento protettivo idoneo riduce il rischio di lesioni personali causate dal lancio di rami o dal contatto accidentale con la motosega.
- ◆ **Non utilizzare la motosega su di un albero.** L'utilizzo della motosega quando ci si trova in alto su di un albero può causare lesioni personali.
- ◆ **Mantenere sempre un buon equilibrio e utilizzare la motosega solo quando ci si trova su di una superficie fissa, sicura e piana.** Superfici sdruciolevoli o poco stabili tipo le scale, possono causare la perdita di equilibrio o del controllo della motosega.
- ◆ **Se si taglia un ramo sotto tensione, prestare attenzione all'effetto "molla".** Quando la tensione nelle fibre del legno viene rilasciata, il ramo caricato come una molla può colpire l'operatore e/o fargli perdere il controllo della motosega.
- ◆ **Prestare la massima attenzione quando si tagliano cespugli e giovani pertiche,** dato che il materiale sottile potrebbe incepparsi nella motosega e schizzare verso l'operatore oppure fargli perdere l'equilibrio.
- ◆ **Trasportare la motosega spenta e tenuta lontana del corpo afferrandola dall'impugnatura anteriore. Durante il trasporto o quando si ripone la motosega, montare sempre il coperchio della barra di guida.** Il corretto maneggio della motosega riduce la probabilità di contatto accidentale con la catena in movimento della motosega.
- ◆ **Seguire le istruzioni relative alla lubrificazione, al tensionamento della catena e alla sostituzione degli accessori.** Delle catene tese o lubrificate in modo errato possono o rompersi o aumentare la probabilità di contraccolpi.
- ◆ **Mantenere le impugnature pulite e prive di tracce di olio o grassi.** Residui di olio o grasso sulle impugnature le rendono scivolose causando la perdita di controllo.
- ◆ **Tagliare solo il legno. Non usare la motosega per lavori diversi da quelli di progetto. Ad esempio: non utilizzare la motosega per tagliare plastica, murature o materiali da costruzione diversi dal legno.** L'impiego della motosega per usi diversi da quelli previsti può dar luogo a situazioni di pericolo.

Possibili cause ed accorgimenti per impedire un contraccolpo

I contraccolpi possono verificarsi quando la punta della barra di guida tocca un oggetto o quando il legno tagliato si richiude e incastra la catena della motosega nel taglio.

A volte il contatto con la punta può causare una reazione inversa improvvisa, spingendo la barra di guida verso l'alto e indietro verso l'operatore.

Se la catena della motosega rimane incastrata lungo la parte superiore della barra di guida è possibile che la barra venga spinta indietro velocemente contro l'operatore.

Entrambe queste reazioni possono causare la perdita di controllo della motosega con la probabilità di pericolose lesioni personali. Non fare affidamento esclusivamente sui dispositivi di sicurezza incorporati nella motosega. Ricade sull'operatore della motosega la responsabilità di eseguire dei lavori di taglio che non causino incidenti o lesioni.

Un contraccolpo è la conseguenza di un utilizzo non appropriato oppure non corretto dell'elettrotensile. Esso può essere evitato soltanto adottando le misure di sicurezza idonee come descritto di seguito:

- ◆ **Tenere saldamente la motosega afferrando le impugnature con i pollici e le dita. Afferrando la motosega con entrambe le mani, posizionare il corpo e il braccio in modo da far fronte ad eventuali contraccolpi.** L'operatore è in grado di resistere alla forza esercitata da eventuali contraccolpi se adotta le misure del caso. Non lasciare andare la motosega.
- ◆ **Non sbilanciarsi e non tagliare oltre l'altezza della spalla.** In questo modo si evita il contatto involontario con la punta e si mantiene un miglior contatto della motosega in situazioni impreviste.
- ◆ **Utilizzare solamente le barre di guida e le catene di ricambio indicate dal produttore.** L'errata sostituzione delle barre di guida e delle catene può causare la rottura della catena e/o contraccolpi.
- ◆ **Rispettare le istruzioni di affilatura e di manutenzione della catena della motosega date dal fabbricante.** La diminuzione dell'altezza del calibro di profondità aumenta la possibilità di contraccolpi.

Consigli di sicurezza per la motosega

- ◆ Consigliamo vivamente a chi la usa per la prima volta, di farsi dare dei consigli pratici da un esperto sia per l'uso della motosega sia dell'equipaggiamento protettivo. Completare questa lezione pratica segnando ceppi su di un cavalletto o di un'intelaiatura di sostegno.
- ◆ Durante il trasporto della motosega consigliamo di verificare che il freno sia innestato.
- ◆ Quando non viene adoperata, la motosega deve essere sottoposta alla necessaria manutenzione. Non riportare mai la motosega senza averne rimosso la catena e la barra di guida che devono essere conservate in un bagno d'olio. Tutti i componenti della motosega devono essere riposti in luogo sicuro e asciutto, fuori dalla portata dei bambini.
- ◆ Consigliamo di scaricare l'olio in un apposito serbatoio prima di riportare l'elettrotensile.
- ◆ Prima di abbattere dei rami o un albero, mettere a punto un programma di sicurezza che consenta di allontanarsi senza pericolo e fare attenzione a proteggere i piedi.

- ◆ Fare uso di cunei per agevolare il controllo dell'abbattimento ed evitare che la catena e la barra di guida si bloccino nel taglio.
- ◆ Manutenzione della motosega. La catena deve essere sempre affilata e bene aderente alla barra di guida. Verificare che catena e barra di guida siano pulite e perfettamente lubrificate. Mantenere le impugnature pulite e prive di tracce di olio o grassi.

I contraccolpi possono essere causati da:

- ◆ Contatto accidentale contro rami o altri oggetti colpiti dalla punta della catena della sega in moto.
- ◆ Contatto con metallo, cemento o altri materiali duri che si trovano in prossimità del legno o al suo interno.
- ◆ Catena smussata o lenta.
- ◆ Taglio al di sopra dell'altezza della spalla.
- ◆ Disattenzione mentre si sorregge o si manovra la motosega durante il taglio.
- ◆ Ci si sporge eccessivamente. Mantenersi sempre saldi sui piedi e bene equilibrati, evitando di sporgersi.
- ◆ Non cercare di inserire la sega in un taglio praticato in precedenza, dato che potrebbe causare un contraccolpo. Praticare un nuovo taglio ogni volta.
- ◆ Si suggerisce vivamente di non tentare di utilizzare la motosega mentre si è su un albero, una scala o qualsiasi altra superficie poco stabile. Se si dovesse decidere di farlo comunque, ricordare che queste posizioni sono estremamente pericolose.
- ◆ Quando si taglia un ramo che è sotto tensione, prepararsi per il contraccolpo, in modo da non essere colpiti quando tale tensione viene eliminata.

Evitare di tagliare:

- ◆ legname preparato;
- ◆ il terreno;
- ◆ recinzioni metalliche, chiodi, ecc.;
- ◆ piccoli cespugli e giovani pertiche perché la catena della sega può incepparsi nel materiale sottile e schizzare verso l'operatore oppure fargli perdere l'equilibrio.
- ◆ Non utilizzare la motosega sostenendola oltre l'altezza della spalla.
- ◆ Assicurarsi che nelle vicinanze (ma a distanza di sicurezza) sia sempre disponibile qualcuno che possa intervenire in caso di incidente.
- ◆ Se, per qualsiasi motivo, è necessario toccare la catena, accertare che la motosega non sia collegata all'alimentazione elettrica.
- ◆ La rumorosità della motosega può superare 85 dB(A).
- ◆ Si suggerisce, quindi, di adottare le misure del caso per proteggere l'udito.

Sull'elettrotensile sono presenti i seguenti simboli di avvertimento:



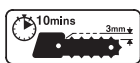
Leggere attentamente questo manuale nella sua totalità.



Non utilizzare la sega in presenza di forte umidità o sotto la pioggia.



Indossare sempre occhiali di sicurezza e otoprotezioni.



Controllare la tensione della catena ogni 10 minuti di utilizzo. Regolare per una tolleranza massima di 3 mm.



Estrarre sempre la spina dalla presa prima di ispezionare un cavo danneggiato. Fare attenzione a non adoperare la motosega se il cavo è danneggiato.



La rumorosità della motosega può superare 85 dB(A).

Sicurezza elettrica



Il doppio isolamento di cui è provvisto l'elettrotensile rende superfluo il filo di terra. Controllare sempre che l'alimentazione corrisponda alla tensione indicata sulla targhetta delle caratteristiche.

Ulteriori precauzioni di sicurezza

- ◆ L'elettrotensile non deve essere utilizzato da ragazzi o persone inabili senza la supervisione di un adulto. Controllare i bambini per evitare che giochino con l'elettrotensile.
- ◆ In caso di danneggiamento del cavo di alimentazione, è necessario farlo riparare dal fabbricante o presso un centro assistenza Black & Decker autorizzato in modo da evitare eventuali pericoli.

Fare attenzione alle scosse elettriche.

- ◆ Evitare il contatto con le superfici messe a terra (ad esempio guide metalliche, steli di lampade ecc.). La sicurezza elettrica può essere ulteriormente aumentata utilizzando un dispositivo a corrente residua (RCD) ad alta sensibilità (30 mA / 30 mS).

Attenzione! L'impiego di un dispositivo a corrente residua o di altri interruttori automatici non esonera l'operatore della motosega dall'osservanza delle istruzioni di sicurezza e delle prassi di lavoro riportate in questo manuale.

Caratteristiche

1. Interruttore di accensione
2. Pulsante di sbloccaggio
3. Tappo olio
4. Freno catena / protezione anteriore
5. Vite regolazione tensione catena
6. Catena
7. Barra di guida
8. Guaina catena
9. Pomello coperchio catena
10. Coperchio catena
11. Indicatore livello olio

MONTAGGIO

Lubrificazione della catena (fig. A)

Procedere con la lubrificazione ogni volta che si adoperava una catena nuova (6) per la prima volta. Estrarre la nuova catena (6) dal sacchetto di plastica e immergerla in olio per catene per almeno un'ora prima di usarla. Usare olio per catene Black & Decker

Si suggerisce di adoperare sempre lo stesso tipo di olio per l'intera durata di servizio della motosega in quanto miscele di oli diversi possono compromettere la qualità del lubrificante e ridurre così notevolmente la durata della catena.

Non usare mai olio di scarto, olio pesante od olio troppo leggero tipo quello per macchine da cucire, dato che questi oli potrebbero danneggiare la motosega.

Montaggio della barra di guida e della catena (fig. A - F)



Attenzione! Indossare sempre guanti protettivi quando si lavora sulla motosega.

- ◆ Collocare la motosega su una superficie stabile.
- ◆ Allentare ed estrarre il pomello dal coperchio della catena (9) (fig. A).
- ◆ Regolare la protezione anteriore nella posizione corretta ① (fig. C).
- ◆ Togliere il coperchio della catena (10).
- ◆ Collocare la catena (6) sopra la barra di guida (7), verificando che i taglianti della catena della motosega sulla faccia della barra di guida (7) siano rivolti verso il lato anteriore (fig. B).
- ◆ Far passare la catena (6) attorno alla barra di guida (6) e tirarla per creare un cappio su di un lato all'estremità posteriore della barra di guida (7).
- ◆ Disporre la catena (6) e la barra di guida (7) sulla motosega. Far passare la catena (6) attorno al rochetto dentato di trasmissione (12). Collocare la barra di guida (7) sui perni (13). Verificare che la spina del dado scorrevole (14) si inserisca nel foro di tensionamento (15) (fig. E).

- ◆ Accertarsi che il freno della catena (4) si trovi nella posizione regolata ① prima del rimontaggio (fig. C).
- ◆ Collocare sulla motosega il coperchio della catena (10).
- ◆ Montare il pomello sul coperchio della catena (9) e serrarlo con le sole dita.
- ◆ Ruotare le vite di regolazione della tensione della catena (5) (fig. E) in senso orario fino a quando la catena (6) è ben tesa. Verificare che la catena (6) sia ben tesa attorno alla barra di guida (7). Non serrare eccessivamente.
- ◆ Serrare il pomello del coperchio della catena (9).

Controllo e regolazione della tensione della catena (figg. E e G)

- ◆ Prima dell'uso e quindi ogni 10 minuti di funzionamento, è necessario controllare la tensione della catena.
- ◆ Tirare leggermente la catena (6) come illustrato (riquadro in fig. G). La tensione è corretta se la catena (6) scatta all'indietro una volta allontanata di 3 mm dalla barra di guida (7). Sul lato inferiore tra la barra di guida (7) e la catena (6) non devono esservi cedimenti.

Nota: Non tendere eccessivamente la catena (6) per evitare un'usura eccessiva e ridurre così la durata della barra di guida (7) e della catena stessa (6).

Nota: Quando la catena (6) è nuova, controllarne spesso la tensione (dopo avere staccato l'alimentazione) durante le prime due ore d'uso, in quanto le catene nuove (6) cedono leggermente.

Aumento della tensione:

- ◆ Ruotare in senso orario le vite di regolazione della tensione della catena (5a).

Riempimento del serbatoio dell'olio (fig. F)

- ◆ Togliere il tappo dal serbatoio dell'olio (3) e rabboccare con l'olio per catene suggerito. Il livello dell'olio può essere controllato tramite l'indicatore di livello (11). Rimettere il tappo del serbatoio dell'olio (3).
- ◆ Spegnerne periodicamente e controllare l'olio mediante il rispettivo indicatore (11): se il livello scende al di sotto di un quarto del pieno, staccare la motosega dall'alimentazione e rabboccare con l'olio corretto.

Freno automatico catena (fig. C)

- ◆ Questo utensile è dotato di funzione di freno automatico della catena (4) che blocca la catena (6) in 150 ms massimo ogni volta che si lascia andare il grilletto posteriore, oppure in caso di contraccolpo. Il freno della catena (4) deve quindi essere controllato prima di ogni impiego.

Attivazione del freno della catena (fig. C)

- ◆ Verificare che l'utensile sia staccato dall'alimentazione principale.
- ◆ Tirare di nuovo la protezione anteriore/freno della catena (4) nella posizione "attivata" marcata ① (fig. C).

Ora l'utensile è pronto per essere adoperato.

Funzionamento del freno della catena di protezione dai contraccolpi

In caso di contraccolpi, la mano sinistra viene a contatto della protezione anteriore e la spinge in avanti, verso il pezzo su cui si sta lavorando e arresta l'elettrotensile in 150 ms massimo.

Funzionamento del freno a inerzia della catena

La protezione anteriore/freno della catena (4) si attivano quando la protezione anteriore viene spinta in avanti sia manualmente, dal dorso della mano dell'operatore, sia dal proprio peso. Il freno ad inerzia presenta il vantaggio di essere attivato da un contraccolpo grave, come quando la catena (6) colpisce il metallo, anche se la mano dell'operatore non tocca la protezione anteriore, ad esempio quando la motosega si trova in posizione di abbattimento.

Prova del freno della catena di protezione dai contraccolpi (fig. C)

- ◆ Afferrare saldamente l'elettrotensile con entrambe le mani su una superficie solida, verificando che la catena della sega (6) non tocchi a terra e accenderlo (vedere "Come accendere la motosega").
- ◆ Girare la mano sinistra in avanti, attorno all'impugnatura anteriore, in modo che il dorso della mano venga a contatto della protezione anteriore/freno catena (4) e la spinga in avanti, verso il pezzo da tagliare (fig. C). A questo punto la catena della motosega (6) deve bloccarsi in poche frazioni di secondo.

Ripristino dopo l'attivazione della protezione anteriore/freno catena (4):

- ◆ Seguire le istruzioni al paragrafo "Attivazione del freno della catena".

Nota: Non è possibile accendere l'utensile se la protezione anteriore/freno catena (4) non sono in posizione "attivata" ①.

Nota: Evitare di riaccendere l'utensile fino a che il motore non si è fermato del tutto.

Nota: Se la catena della motosega (6) non si blocca immediatamente, significa che è necessario regolare la tensione (vedere "Montaggio della barra di guida e della catena").

Accensione dell'utensile (fig. F)

- ◆ Afferrare la motosega saldamente con entrambe le mani. Spingere in avanti il pulsante di sbloccaggio (2) e premere l'interruttore di accensione (1).
- ◆ Quando il motore parte, alzare il pollice dal pulsante di sbloccaggio (2) e afferrare saldamente l'impugnatura.

Non forzare l'utensile, lasciare che esegua il lavoro:

funzionerà meglio e con maggiore sicurezza se usato alla potenza nominale originale. Una forza eccessiva sollecita troppo la catena della motosega (6).

Se la catena della motosega (6) o la barra di guida (7) si inceppano:

- ◆ spegnere l'elettrotensile.
- ◆ scollegare l'elettrotensile dalla rete di alimentazione.
- ◆ aprire il taglio usando dei cunei, per allentare la tensione sulla barra di guida (7). Non tentare di liberare la motosega facendo uso di una chiave, iniziare un nuovo taglio.

Abbattimento (figg. H - J)

Degli operatori poco esperti non devono tentare di abbattere alberi. L'operatore potrebbe subire lesioni o causare danni alle cose a seguito del mancato controllo della direzione di abbattimento; l'albero potrebbe scheggiarsi o dei rami danneggiati/morti potrebbero cadere durante il taglio.

La distanza di sicurezza da mantenere fra un albero da abbattere e gli astanti, gli edifici o altri oggetti è di almeno 2,5 volte l'altezza dell'albero. Eventuali astanti, edifici o oggetti presenti entro questa distanza sono esposti al rischio di essere colpiti dall'albero abbattuto.

Prima di tentare di abbattere un albero:

- ◆ assicurarsi che le leggi e i regolamenti locali non proibiscano o controllino l'abbattimento di un albero.
- ◆ considerare tutte le condizioni che possono influire sulla direzione di caduta, fra cui:
 - ◆ la direzione di caduta desiderata.
 - ◆ l'inclinazione naturale dell'albero.
 - ◆ L'eventuale peso insolito del ramo e la possibilità che sia secco o marcio.
 - ◆ gli alberi e gli ostacoli circostanti, comprese le linee elettriche aeree e le fogne sotterranee.
 - ◆ La velocità e direzione del vento.

Mettere a punto un programma di sicurezza che consenta di allontanarsi dai rami o dall'albero che stanno per essere abbattuti. Verificare che il percorso per allontanarsi sia privo di ostacoli che potrebbero intralciare i movimenti. Ricordarsi che l'erba umida e la corteccia tagliata da poco sono scivolose.

Non tentare di abbattere alberi il cui diametro sia superiore alla lunghezza di taglio della motosega.

Per determinare la direzione di caduta viene praticata un'incisione nel tronco.

Viene quindi eseguito un taglio orizzontale ad una profondità che va da un quinto a un terzo del diametro dell'albero, perpendicolarmente alla linea di caduta alla base dell'albero (fig. H). Il secondo taglio viene fatto dall'alto in modo che si intersechi con il primo e se ne ricavi un'incisione di 45° circa.

Praticare un unico taglio orizzontale di abbattimento dall'altro lato a 4-5 cm al di sopra del centro dell'incisione di direzione. (Fig. I) Non tagliare completamente fino all'incisione di direzione dato che si perderebbe il controllo della direzione di caduta.

Inserire uno o più cunei nel taglio per allargarlo e abbattere l'albero (fig. J).

Potatura degli alberi

Assicurarsi che le leggi e i regolamenti locali non proibiscano o controllino la potatura di rami. La potatura deve essere praticata solo da operatori esperti dato che vi è un maggior rischio di inceppamento della catena della sega e di contraccolpi.

Prima di eseguire la potatura, prendere in considerazione le condizioni prevalenti che potrebbero influire sulla direzione di caduta.

- ◆ Lunghezza e peso del ramo da tagliare
- ◆ L'eventuale peso insolito del ramo e la possibilità che sia secco o marcio.
- ◆ Gli alberi e gli ostacoli circostanti, comprese le linee elettriche aeree.
- ◆ La velocità e direzione del vento.
- ◆ Il fatto che il ramo sia intrecciato con altri rami.

L'operatore deve inoltre considerare come raggiungere il ramo e l'eventuale direzione di caduta. È probabile che il ramo oscilli verso il tronco. Sono infatti a rischio non solo l'operatore e gli astanti, ma anche oggetti e cose.

Per evitare la scheggiatura, il primo taglio viene eseguito verso l'alto a una profondità massima pari a un terzo del diametro del ramo. Il secondo taglio viene eseguito verso il basso in modo da intersecarsi con il primo.

Taglio di ceppi (figg. K - M)

La procedura di taglio dipende dal sostegno che regge il ceppo. Quando possibile, fare uso di un cavalletto. Iniziare sempre il taglio con la motosega (6) accesa e la barra paraurti dentata (17) a contatto del legno (fig. K). Per completare il taglio ricorrere all'azione rotante della barra paraurti dentata contro il legno.

Ceppi sostenuti per l'intera lunghezza

- ◆ Praticare un taglio verso il basso, evitando di toccare il suolo per non smussare la lama della motosega.

Ceppi sostenuti alle estremità:

- ◆ In primo luogo tagliare un terzo di diametro in basso, per evitare scheggiature, e poi tagliare di nuovo fino a raggiungere il primo intaglio.

Ceppi sostenuti a un'estremità:

- ◆ In primo luogo tagliare un terzo di diametro in alto e poi tagliare in basso per evitare scheggiature.

Su un pendio (fig. L):

- ◆ Restare sempre sul lato alto del pendio.

Uso di un cavalletto (fig. M):

Si suggerisce vivamente di adoperare un cavalletto quando possibile.

- ◆ Collocare il ceppo in posizione stabile. Tagliare sempre all'esterno dei bracci del cavalletto. Usare morse o fasce per fissare il pezzo da tagliare.

Quando si tenta di tagliare un ceppo che si trova a terra, fissarlo per mezzo di cunei o zeppe. L'operatore o gli astanti non devono tenere fermo il ceppo sedendosi o standoci sopra in piedi. Accertarsi che la motosega non tocchi a terra.

Manutenzione

La manutenzione regolare garantisce la durata dell'utensile e le sue prestazioni. Si suggerisce di eseguire regolarmente i controlli seguenti.

Livello dell'olio

Il livello dell'olio nel serbatoio non deve scendere di oltre un quarto del livello massimo.

Catena motosega e barra di guida (fig. G)

- ◆ Dopo alcune ore d'uso, smontare la barra di guida (7) e la catena (6) della sega e pulirle a fondo.
- ◆ Durante il montaggio, ruotare di 180° la barra di guida (7) e lubrificare la punta dell'ingranaggio dall'apposito foro di lubrificazione (16). In questo modo il processo di usura avviene uniformemente lungo i binari della barra di guida.

Affilatura della catena

Per ottenere prestazioni ottimali, è importante mantenere affilati i denti della catena della motosega. Le istruzioni su come eseguire questa procedura sono riportate sulla confezione dell'affilatoio. A questo scopo si suggerisce di acquistare un kit di affilatura catene Black & Decker (disponibile presso i rivenditori selezionati e i centri di assistenza autorizzati Black & Decker).

Sostituzione delle catene della motosega consumate

Le catene di ricambio della motosega sono disponibili presso i dettaglianti o i centri di assistenza Black & Decker. Utilizzare esclusivamente pezzi di ricambio originali.

Filo della catena

I taglienti della catena della motosega perdono immediatamente il filo se toccano il terreno o un chiodo durante il taglio.

Tensione della catena della motosega

Controllare regolarmente la tensione della catena della motosega.

Riparazione della motosega.

La motosega è conforme ai requisiti di sicurezza in vigore. Le riparazioni devono essere affidate esclusivamente a personale qualificato ed eseguite solo con pezzi di ricambio originali, per evitare di esporre gli operatori a considerevoli rischi. Consigliamo di conservare il presente manuale d'uso in un luogo sicuro.

Spina elettrica di ricambio (solo RU e Irlanda)

Se è necessario montare una nuova spina:

- ◆ smaltire in tutta sicurezza quella vecchia.
- ◆ ccollegare il filo marrone al morsetto sotto tensione della nuova spina.
- ◆ ccollegare il filo blu al morsetto neutro.

Attenzione! Non effettuare nessun collegamento sul morsetto di terra. Seguire le istruzioni fornite con le spine di buona qualità. Fusibile raccomandato: 10 A.

Protezione dell'ambiente



Nel caso in cui l'elettrodomestico non sia più necessario, è possibile restituirlo ai tecnici Black & Decker che provvederanno a smaltirlo in modo sicuro per l'ambiente.



La raccolta differenziata dei prodotti e degli imballaggi utilizzati consente il riciclaggio dei materiali e il loro continuo utilizzo. Il riutilizzo dei materiali riciclati favorisce la protezione dell'ambiente prevenendo l'inquinamento e riduce il fabbisogno di materie prime.

Seguire la regolamentazione locale per la raccolta differenziata dei prodotti elettrici che può prevedere punti di raccolta o la consegna dell'elettrodomestico al rivenditore presso il quale viene acquistato un nuovo prodotto.

Black & Decker offre ai suoi clienti la possibilità di riciclare i prodotti Black & Decker che hanno esaurito la loro vita di servizio. Per usufruire di tale servizio, è sufficiente restituire il prodotto a qualsiasi tecnico autorizzato, incaricato della raccolta per conto dell'azienda.

Per individuare il tecnico autorizzato più vicino, rivolgersi alla sede Black & Decker locale, presso il recapito indicato nel presente manuale. In alternativa, un elenco completo di tutti i tecnici autorizzati Black & Decker e i dettagli completi sui contatti e i servizi post-vendita sono disponibili su Internet presso: www.2helpU.com.

Dati tecnici

	GK1730	GK1735	GK1740	GK1930	GK1935	GK1940
Tensione (V c.a.)	230	230	230	230	230	230
Potenza assorbita (W)	1700	1700	1700	1850	1850	1850
Velocità a vuoto (min ⁻¹)	5500	5500	5500	5500	5500	5500
Lunghezza di taglio max. (cm)	30	35	40	30	35	40
Capacità serbatoio olio (ml)	100	100	100	100	100	100
Peso (kg)	5,55	5,65	5,8	5,6	5,7	5,85
Classe di sicurezza	II	II	II	II	II	II

N. di registrazione del modello depositato nella Comunità Europea
000417274-0001

Dichiarazione CE di conformità

GK1730; GK1735; GK1740; GK1930; GK1935; GK1940
Black & Decker dichiara che i presenti prodotti sono conformi alle normative:

98/37/CE. 89/336/CEE. 73/23/CEE. 2002/96/CE. 2002/95/CE. EN 50144. EN 55014. EN61000. EN60745
2000/14/CE. Motosega _ 1600 W. Allegato V

Livello garantito di pressione sonora, misurata in conformità alla normativa 2000/14/CE.

LpA (pressione sonora) 94.2 dB(A)

LWA (potenza acustica) 105.2 dB(A)

LWA (garantita) 104 dB(A)

Indossare sempre otoprotezioni se la pressione sonora supera 85 dB (A).

Valore medio quadratico ponderato dell'accelerazione secondo la normativa EN 60745:
3.5 m/sec²



Kevin Hewitt
Direttore tecnico prodotti di consumo
Spennymoor, County Durham
DL16 6JG,
Regno Unito
31-10-2006

Garanzia

Certa della qualità dei suoi prodotti, Black & Decker offre una garanzia eccezionale. Il presente certificato di garanzia è complementare ai diritti legali e non li pregiudica in alcun modo. La garanzia è valida entro il territorio degli Stati membri dell'Unione Europea e dell'EFTA (European Free Trade Area).

Se un prodotto Black & Decker risulta difettoso per qualità del materiale, della costruzione o per mancata conformità entro 24 mesi dalla data di acquisto, Black & Decker garantisce la sostituzione delle parti difettose, provvede alla riparazione dei prodotti se ragionevolmente usurati oppure alla loro sostituzione, in modo da ridurre al minimo il disagio del cliente a meno che:

- ◆ Il prodotto non sia stato destinato ad usi commerciali, professionali o al noleggjo;
- ◆ Il prodotto non sia stato usato in modo improprio o scorretto;
- ◆ Il prodotto non abbia subito danni causati da oggetti o sostanze estranee oppure incidenti;
- ◆ Il prodotto non abbia subito tentativi di riparazione non effettuati da tecnici autorizzati né dall'assistenza Black & Decker.

Per attivare la garanzia è necessario esibire la prova di acquisto al venditore o al tecnico autorizzato. Per individuare il tecnico autorizzato più vicino, rivolgersi alla sede Black & Decker locale, presso il recapito indicato nel presente manuale. Altrimenti un elenco completo di tutti i tecnici autorizzati Black & Decker e i dettagli completi sui contatti e i servizi post-vendita sono disponibili su Internet presso: www.2helpU.com

I clienti che desiderano registrare il nuovo prodotto Black & Decker e ricevere gli aggiornamenti sui nuovi prodotti e le offerte speciali, sono invitati a visitare il sito Web (www.blackanddecker.it). Ulteriori informazioni sul marchio e la gamma di prodotti Black & Decker sono disponibili all'indirizzo www.blackanddecker.it.

Beoogd gebruik

Uw Black & Decker kettingzaag is ontwikkeld voor het snoeien en vellen van bomen en het zagen van blokken. Dit gereedschap is uitsluitend bedoeld voor consumentengebruik.

Algemene veiligheidsvoorschriften

Waarschuwing! Lees alle voorschriften. Wanneer de volgende voorschriften niet in acht worden genomen, kan dit een elektrische schok, brand of ernstig letsel tot gevolg hebben. Het hierna gebruikte begrip 'elektrisch gereedschap' heeft betrekking op elektrische gereedschappen voor gebruik op de netspanning (met netsnoer) of op een accu (snoerloos).

BEWAAR DEZE VOORSCHRIFTEN GOED.

1. Werkomgeving

- a. **Houd uw werkomgeving schoon en opgeruimd.** Een rommelige of onverlichte werkomgeving kan tot ongevallen leiden.
- b. **Gebruik elektrisch gereedschap niet in een omgeving met explosiegevaar, zoals in de nabijheid van brandbare vloeistoffen, gassen of stof.** Elektrisch gereedschap veroorzaakt vonken die het stof of de dampen tot ontsteking kunnen brengen.
- c. **Houd kinderen en andere personen tijdens het gebruik van elektrisch gereedschap uit de buurt.** Wanneer u wordt afgeleid, kunt u de controle over het gereedschap verliezen.

2. Elektrische veiligheid

- a. **De netstekker van het gereedschap moet in het stopcontact passen. De stekker mag in geen geval worden veranderd. Gebruik geen adapterstekkers in combinatie met geaarde gereedschappen.** Onveranderde stekkers en passende stopcontacten beperken het risico van een elektrische schok.
- b. **Vermijd aanraking van het lichaam met geaarde oppervlakken, bijvoorbeeld buizen, verwarmingen, fornuizen en koelkasten.** Er bestaat een verhoogd risico voor een elektrische schok wanneer uw lichaam geaard is.
- c. **Houd het gereedschap uit de buurt van regen en vocht.** Het binnendringen van water in het elektrische gereedschap vergroot het risico van een elektrische schok.
- d. **Gebruik het snoer niet voor een verkeerd doel. Gebruik het snoer niet om het gereedschap te dragen of op te hangen of om de stekker uit het stopcontact te trekken. Houd het snoer uit de buurt van hitte, olie, scherpe randen of bewegende delen.** Beschadigde of in de war geraakte snoeren vergroten het risico van een elektrische schok.
- e. **Wanneer u buitenshuis met elektrisch gereedschap werkt, dient u alleen verlengsnoeren te gebruiken die zijn goedgekeurd voor gebruik buitenshuis.** Het gebruik van een verlengsnoer dat geschikt is voor gebruik buitenshuis beperkt het risico van een elektrische schok.

3. Veiligheid van personen

- a. **Wees alert, let goed op wat u doet en ga met verstand te werk bij het gebruik van elektrische gereedschappen. Gebruik elektrisch gereedschap niet wanneer u moe bent of onder invloed van drugs, alcohol of medicijnen.** Een moment van onoplettendheid bij het gebruik van het gereedschap kan leiden tot ernstige verwondingen.
 - b. **Draag persoonlijke beschermende uitrusting. Draag altijd een veiligheidsbril.** Het dragen van persoonlijke beschermende uitrusting zoals een stofmasker, slipvast werkschoenen, een veiligheidshelm of gehoorbescherming, afhankelijk van de aard en het gebruik van het elektrische gereedschap, vermindert het risico van verwondingen.
 - c. **Voorkom per ongeluk inschakelen. Controleer of de schakelaar in de uit-stand staat voordat u de stekker in het stopcontact steekt.** Wanneer u bij het dragen van het gereedschap uw vinger op de schakelaar hebt of wanneer u het gereedschap ingeschakeld op de stroomvoorziening aansluit, kan dit tot ongevallen leiden.
 - d. **Verwijder instelgereedschappen of schroefsleutels voordat u het gereedschap inschakelt.** Een instelgereedschap of sleutel in een draaiend deel van het gereedschap kan tot verwondingen leiden.
 - e. **Reik niet te ver. Zorg er altijd voor dat u stevig staat en in evenwicht blijft.** Daardoor kunt u het gereedschap in onverwachte situaties beter onder controle houden.
 - f. **Draag geschikte kleding. Draag geen loshangende kleding of sieraden. Houd haren, kleding en handschoenen uit de buurt van bewegende delen.** Loshangende kleding, sieraden en lange haren kunnen door bewegende delen worden meegenomen.
 - g. **Wanneer stofafzuigings- of stofopvangvoorzieningen kunnen worden gemonteerd, dient u zich ervan te verzekeren dat deze zijn aangesloten en juist worden gebruikt.** Het gebruik van deze voorzieningen beperkt het gevaar door stof.
- #### 4. Gebruik en onderhoud van elektrisch gereedschap
- a. **Overbelast het gereedschap niet. Gebruik voor uw toepassing het daarvoor bestemde elektrische gereedschap.** Met het passende elektrische gereedschap werkt u beter en veiliger binnen het aangegeven capaciteitsbereik.
 - b. **Gebruik geen elektrisch gereedschap waarvan de schakelaar defect is.** Elektrisch gereedschap dat niet meer kan worden in- of uitgeschakeld, is gevaarlijk en moet worden gerepareerd.
 - c. **Trek de stekker uit het stopcontact voordat u het gereedschap instelt, toebehoren wisselt of het gereedschap weglegt.** Deze voorzorgsmaatregel voorkomt onbedoeld starten van het gereedschap.

- d. **Bewaar niet-gebruikte elektrische gereedschappen buiten bereik van kinderen. Laat het gereedschap niet gebruiken door personen die er niet vertrouwd mee zijn en deze aanwijzingen niet hebben gelezen.** Elektrische gereedschappen zijn gevaarlijk wanneer deze door onervaren personen worden gebruikt.
 - e. **Verzorg het gereedschap zorgvuldig. Controleer of bewegende delen van het gereedschap correct functioneren en niet klemmen, en of er onderdelen zodanig zijn gebroken of beschadigd dat de werking van het gereedschap nadelig wordt beïnvloed. Laat beschadigde delen repareren voordat u het gereedschap gebruikt.** Veel ongevallen worden veroorzaakt door slecht onderhouden elektrische gereedschappen.
 - f. **Houd snijdende inzetgereedschappen scherp en schoon.** Zorgvuldig onderhouden snijdende inzetgereedschappen met scherpe snijkanten klemmen minder snel en zijn gemakkelijker te geleiden.
 - g. **Gebruik elektrische gereedschappen, toebehoren, inzetgereedschappen en dergelijke volgens deze aanwijzingen en zoals voor dit speciale gereedschapstype is voorgeschreven. Let daarbij op de arbeidsomstandigheden en de uit te voeren werkzaamheden.** Het gebruik van elektrische gereedschappen voor andere dan de voorziene toepassingen kan leiden tot gevaarlijke situaties.
- 5. Service**
- a. **Laat het gereedschap alleen repareren door gekwalificeerd en vakkundig personeel en alleen met originele vervangingsonderdelen.** Daarmee wordt de veiligheid van het gereedschap gewaarborgd.

Aanvullende veiligheidsinstructies voor de kettingzaag

- ◆ **Houd alle lichaamsdelen uit de buurt van de zaagketting terwijl de kettingzaag in bedrijf is. Controleer voordat u de kettingzaag start of de zaagketting vrij kan draaien.** Een moment van onoplettendheid bij het gebruik van de kettingzaag kan ertoe leiden dat kledingstukken of lichaamsdelen in de kettingzaag verstrikt raken.
- ◆ **Houd altijd uw rechterhand op de achterste handgreep van de kettingzaag en uw linkerhand op de voorste handgreep.** Houd de kettingzaag nooit anders beet, aangezien hierdoor het gevaar voor lichamelijk letsel toeneemt.
- ◆ **Draag een veiligheidsbril en gehoorbeschermers. Ook beschermende uitrusting voor hoofd, handen, benen en voeten wordt aanbevolen.** Een adequaat beschermende kleding verkleint eventueel letsel door rondvliegende snippers of ongewild contact met de zaagketting.
- ◆ **Gebruik de kettingzaag niet terwijl u zich in een boom bevindt.** Dit kan lichamelijk letsel tot gevolg hebben.

- ◆ **Zorg er altijd voor dat u stevig staat en gebruik de kettingzaag alleen wanneer u op een stabiel, veilig en horizontaal vlak staat.** Bij gladde of instabiele vlakken (zoals ladders) kunt u uw evenwicht of de controle over de kettingzaag verliezen.
- ◆ **Wees er bedacht op dat takken die onder spanning staan, kunnen terugveren wanneer u deze doorzaagt.** Zodra de spanning in de houtvezels vrijkomt, kunt u door de tak worden geraakt en/of de controle over de kettingzaag verliezen.
- ◆ **Ga zeer voorzichtig te werk bij het zagen van struikgewas of jong hout.** Het dunne materiaal kan in de zaagketting vast komen te zitten en naar u toe zwiepen of u uit balans trekken.
- ◆ **Draag de kettingzaag aan de voorste handgreep, in uitgeschakelde toestand en van uw lichaam af gericht. Plaats altijd de kap over het zwaard als u de kettingzaag vervoert of bewaart.** Een correct gebruik van de kettingzaag verkleint de kans op een ongewild contact met de bewegende zaagketting.
- ◆ **Volg de instructies voor het smeren en spannen van de ketting, en het vervangen van accessoires nauwgezet op.** Een onjuist gespannen of gesmeerde ketting kan breken en vergroot de kans op terugslag.
- ◆ **Houd de handvatten droog, schoon en vrij van olie en vet.** Vette handgrepen zijn glad waardoor u de controle over het gereedschap kunt verliezen.
- ◆ **Zaag uitsluitend hout. Gebruik de kettingzaag niet voor doeleinden waarvoor deze niet bestemd is. Gebruik de kettingzaag niet voor het zagen van kunststof, metselwerk of bouwmaterialen die niet van hout zijn.** Gebruik voor andere doeleinden dan waarvoor de kettingzaag bestemd is, kan leiden tot gevaarlijke situaties.

Oorzaken en voorkoming van terugslag:

Er kan terugslag optreden wanneer de punt van het zwaard op een voorwerp stoot of het hout terugveert en de zaagketting in de zaagsnede klem komt te zitten.

Als de punt een voorwerp raakt, kan het zwaard plotseling omhoog en naar achter slaan in de richting van uw lichaam. Wanneer de zaagketting aan de bovenzijde van het zwaard klem komt te zitten, kan het zwaard snel achterwaarts in de richting van uw lichaam worden geduwd.

Door deze beide reacties kunt u de controle over de kettingzaag verliezen en ernstig lichamelijk letsel oplopen. Vertrouw niet uitsluitend op de ingebouwde veiligheidsvoorzieningen van de kettingzaag. Als gebruiker van de kettingzaag kunt u ook zelf het nodige doen om ongevallen of letsel tijdens de zaagwerkzaamheden te voorkomen.

Terugslag is het gevolg van het verkeerde gebruik of onjuiste gebruiksomstandigheden van het gereedschap. Met geschikte voorzorgsmaatregelen, zoals hieronder zijn beschreven, kan terugslag worden voorkomen.

- ◆ **Zorg voor een stevige grip door uw duimen en vingers om de handgrepen te sluiten. Houd de kettingzaag met beide handen vast en houd uw lichaam en armen zodanig dat u weerstand kunt bieden aan de terugslagkrachten.** Met geschikte voorzorgsmaatregelen kunt u de terugslagkrachten onder controle houden. Laat de kettingzaag niet los.
- ◆ **Reik niet te ver en zaag niet boven schouderhoogte.** Dit voorkomt ongewild contact met de punt en zorgt ervoor dat u de kettingzaag in onverwachte situaties beter onder controle kunt houden.
- ◆ **Gebruik uitsluitend door de fabrikant aanbevolen vervangingsonderdelen.** Onjuiste zwaarden en kettingen kunnen kettingbreuk of terugslag veroorzaken.
- ◆ **Volg voor de zaagketting de slijp- en onderhoudsinstructies van de fabrikant.** Verkleining van de dieptemaat kan tot meer terugslag leiden.

Veiligheidsaanbevelingen voor de kettingzaag

- ◆ Onervaren gebruikers wordt sterk aangeraden een ervaren gebruiker om praktische instructies over het gebruik van de kettingzaag en veiligheidsuitrusting te vragen. De eerste ervaringen kunnen het beste worden opgedaan met het zagen van stammen op een zaagbok of montageframe.
- ◆ Draag de kettingzaag uitsluitend met geactiveerde kettingrem.
- ◆ Onderhoud uw kettingzaag als u deze niet gebruikt. Berg de kettingzaag niet op zonder dat u eerst de ketting en het zwaard uit de zaag hebt verwijderd en ondergedompeld in olie hebt bewaard. Bewaar alle onderdelen van uw kettingzaag op een droge, veilige plaats, buiten bereik van kinderen.
- ◆ Laat het oliereservoir leeglopen voordat u de kettingzaag opbergt.
- ◆ Zorg dat u stevig staat en zoek van tevoren naar een veilige uitweg voor vallende bomen of takken.
- ◆ Maak gebruik van wiggen om controle te houden over het kapproces en om te voorkomen dat de ketting en het zwaard in de zaagsnede vast komen te zitten.
- ◆ Onderhoud de zaagketting. Houd de zaagketting scherp en zorg dat deze stevig tegen het zwaard ligt. Zorg dat de zaagketting en het zwaard schoon en goed geolied zijn. Houd de handvatten droog, schoon en vrij van olie en vet.

Terugslag kan worden veroorzaakt door:

- ◆ Het per ongeluk raken van takken of andere voorwerpen met de punt van de zaag, terwijl de zaagketting in beweging is.

- ◆ Het raken van metaal, cement of andere harde materialen in of in de buurt van het hout.
- ◆ Een botte of losse ketting.
- ◆ Het zagen boven schouderhoogte.
- ◆ Gebrek aan aandacht bij het vasthouden of leiden van de kettingzaag tijdens het zagen.
- ◆ Te hoog reiken. Zorg altijd voor een juiste, stabiele houding en reik niet te ver.
- ◆ Steek de zaag niet in een vorige zaagsnede. Dit kan een terugslag veroorzaken. Maak elke keer een nieuwe zaagsnede.
- ◆ Gebruik geen kettingzaag als u zich in een boom, op een ladder of op een ander onstabiel oppervlak bevindt. Als u dit wel doet, dient u te beseffen dat deze posities extreem gevaarlijk zijn.
- ◆ Bij het zagen van een tak die onder spanning staat, moet u er rekening mee houden dat deze kan terugspringen. Zorg dat u dan niet geraakt wordt.

Zaag niet:

- ◆ In geprepareerd hout.
- ◆ In de grond.
- ◆ In gaasafstreringen, spijkers, enz.
- ◆ In kort struikgewas of jong hout, want dun materiaal kan in de zaagketting vast komen te zitten en naar u toe zwiepen of u uit balans trekken.
- ◆ Gebruik de kettingzaag niet boven schouderhoogte.
- ◆ Zorg dat er iemand in de buurt (maar op veilige afstand) is voor het geval er zich een ongeluk voordoet.
- ◆ Zorg dat de kettingzaag niet meer op de netspanning is aangesloten wanneer u de zaagketting om bepaalde redenen moet aanraken.
- ◆ Het geluidsniveau van dit product kan meer dan 85 dB(A) bedragen.
- ◆ Het is daarom raadzaam om adequate maatregelen te nemen om uw gehoor te beschermen.

Uw gereedschap is voorzien van de volgende waarschuwingssymbolen:



Lees deze handleiding zorgvuldig door.



Gebruik uw zaag niet in natte omstandigheden en stel deze niet bloot aan regen.



Draag altijd oor- en oogbescherming.



Controleer de kettingspanning na elke 10 minuten gebruik. Stel de ketting af op een speling van 3 mm.



Trek altijd de stekker uit het stopcontact voordat u een beschadigd snoer inspecteert. Gebruik de kettingzaag niet als de kabel is beschadigd.



Het geluidsniveau van dit product kan meer dan 85 dB(A) bedragen.

Elektrische veiligheid



Dit gereedschap is dubbel geïsoleerd; een aardaansluiting is daarom niet noodzakelijk. Controleer altijd of uw netspanning overeenkomt met de waarde op het typeplaatje.

Aanvullende veiligheidsinstructies

- ◆ Dit apparaat mag niet zonder supervisie worden gebruikt door jonge of lichamelijk zwakke mensen. Houd toezicht op kinderen om ervoor te zorgen dat zij niet met het apparaat gaan spelen.
- ◆ Als het netsnoer is beschadigd, moet dit worden vervangen door de fabrikant of een Black & Decker-servicecentrum om gevaren te voorkomen.

Bescherming tegen elektrische schok.

- ◆ Vermijd aanraking met geaarde oppervlakken (bijv. metalen relingen, lantaarnpalen, enz.). Verhoog de elektrische veiligheid eventueel verder met behulp van een hooggevoelige (30 mA/30 mS) reststroomschakelaar (RCD).

Waarschuwing! Ondanks een dergelijke schakelaar of andere stroomonderbreker moeten de veiligheidsinstructies en -procedures uit deze gebruikersaanwijzing overigens nog steeds worden opgevolgd.

Onderdelen

1. Aan/uit-schakelaar
2. Ontgrendelingsknop
3. Oliedop
4. Beschermkap/kettingrem
5. Stelschroef voor kettingspanning
6. Ketting
7. Zwaard
8. Beschermkap
9. Knop van kettingbeschermer
10. Kettingbeschermer
11. Oliepeilaanwijzer

MONTAGE

Ketting oliën (fig. A)

Als u een nieuwe ketting (6) voor de eerste keer gebruikt, moet u deze oliën. Haal de nieuwe ketting (6) uit de plastic zak en week deze minimaal één uur in kettingolie voordat u deze gebruikt. Gebruik Black & Decker kettingolie.

Het is raadzaam om tijdens de levensduur van uw kettingzaag slechts één merk olie te gebruiken, omdat mengsels van verschillende oliën de kwaliteit van de olie kunnen verslechteren waardoor de zaagketting veel korter meegaat.

Gebruik nooit afvalolie, dikke olie of zeer dunne naaimachineolie. Deze kunnen uw kettingzaag beschadigen.

Zwaard en ketting bevestigen (fig. A - F)



Waarschuwing! Draag altijd beschermende handschoenen wanneer u aan de kettingzaag werkt.

- ◆ Plaats de kettingzaag op een stabiele ondergrond.
- ◆ Draai de knop (9) van de kettingbeschermer los en verwijder deze (fig. A).
- ◆ Plaats de beschermkap in stand ① (fig. C).
- ◆ Verwijder de kettingbeschermer (10).
- ◆ Plaats de ketting (6) over het zwaard (7) en zorg ervoor dat de zaagtanden aan de bovenkant van het zwaard (7) naar voren wijzen (fig. B).
- ◆ Leid de ketting (6) om het zwaard (7) en trek deze aan zodat aan de achterkant van het zwaard (7) een lus naar één zijde ontstaat.
- ◆ Plaats de ketting (6) en het zwaard (7) op de kettingzaag. Leid de ketting (6) om het aandrijfkettingwiel (12). Plaats het zwaard (7) op de noppen (13). Zorg ervoor dat de schuifpen (14) van de knop goed in het spanningsgat (15) zit (fig. E).
- ◆ Zorg ervoor dat de kettingrem (4) zich in de instelstand ① bevindt voordat u deze opnieuw aanbrengt (fig. C).
- ◆ Plaats de kettingbeschermer (10) op de kettingzaag.
- ◆ Breng de knop van de kettingbeschermer (9) aan en draai deze handvast aan.
- ◆ Draai de stelschroef voor de kettingspanning (5) (fig. E) rechtsom totdat de ketting (6) strak staat. Controleer of de ketting (6) netjes rondom het zwaard (7) zit. Stel deze niet te strak af.
- ◆ Draai de knop van de kettingbeschermer (9) aan.

Kettingspanning controleren en afstellen (fig. E & G)

- ◆ Voor gebruik, en na iedere 10 minuten gebruik, dient u de kettingspanning te controleren.
- ◆ Trek licht aan de ketting (6) (zie de inzet van fig. G). De spanning is juist als de ketting (6) terugspringt nadat u deze 3 mm van het zwaard (7) af hebt getrokken. De ketting (6) mag niet "doorzakken" aan de onderzijde van het zwaard (7).

Opmerking: Stel de ketting (6) niet te strak af. Dit leidt tot overmatige slijtage en beperkt de levensduur van het zwaard (7) en de ketting (6).

Opmerking: Wanneer de ketting (6) nieuw is, moet u de spanning tijdens de eerste 2 gebruiksuren regelmatig (na ontkoppeling van de netspanning) controleren, aangezien een nieuwe ketting (6) enigszins uitzet.

Verhoog de spanning als volgt:

- ◆ Draai de stelschroef voor de kettingspanning (5a) rechtsom.

Oliereservoir vullen (fig. F)

- ◆ Verwijder de oliedop (3) en vul het reservoir met de aanbevolen kettinolie. U kunt het oliepeil controleren met de oliepeilindicator (11). Plaats de oliedop (3) terug.
- ◆ Schakel de zaag regelmatig uit en controleer vervolgens de oliepeilindicator (11). Neem de stekker van de kettingzaag uit het stopcontact en vul het reservoir met de juiste olie bij zodra de indicator op minder dan een kwart staat.

Automatische kettingrem (fig. C)

- ◆ Dit gereedschap is uitgerust met een automatische kettingrem (4), die de ketting (6) binnen 150 ms stopt wanneer u de achterste trekker loslaat of wanneer er een terugslag optreedt. Test de kettingrem (4) voor elk gebruik.

Kettingrem afstellen (fig. C)

- ◆ Zorg dat het gereedschap niet op de netspanning is aangesloten.
- ◆ Trek de beschermkap/kettingrem (4) naar achter in de instelstand ① (fig. C).

Het gereedschap is nu klaar voor gebruik.

Werking van de kettingrem tegen terugslag

Bij een terugslag komt uw linkerhand in aanraking met de beschermkap en drukt deze naar voren in de richting van het werkstuk. Het gereedschap stopt binnen 150 ms.

Werking van de vertragingskettingrem

De beschermkap/kettingrem (4) wordt geactiveerd wanneer de beschermkap naar voren wordt gedrukt. Dit kan handmatig met de achterkant van uw hand of door het eigen gewicht gebeuren. De vertragingskettingrem wordt geactiveerd bij een sterke terugslag, bijvoorbeeld wanneer

de ketting (6) op metaal stoot. Het voordeel hierbij is dat dit zelfs gebeurt wanneer de hand van de gebruiker niet met de beschermkap in aanraking komt, d.w.z. wanneer de kettingzaag zich in de velstand bevindt.

Vertragingskettingrem testen (fig. C)

- ◆ Pak het gereedschap met beide handen stevig vast terwijl u op een stabiele ondergrond staat. Zorg dat de zaagketting (6) vrij van de grond is en schakel de zaag in (zie: "Kettingzaag inschakelen").
- ◆ Draai uw linkerhand naar voren rond de voorste handgreep, zodat de achterzijde van uw hand met de beschermkap/kettingrem (4) in aanraking komt en deze naar voren, in de richting van het werkstuk duwt (fig. C). De zaagketting (6) moet binnen enkele fracties van een seconde stoppen.

Deactiveer de beschermkap/kettingrem (4) na activering als volgt:

- ◆ Volg de instructies in het gedeelte "Kettingrem afstellen".

Opmerking: U kunt de zaag pas inschakelen als de beschermkap/kettingrem (4) weer in de instelpositie ① staat.

Opmerking: Start de zaag pas opnieuw als de motor volledig tot rust is gekomen.

Opmerking: Als de zaagketting (6) niet direct tot stilstand komt, geeft dit aan dat de ketting moet worden gespannen (zie: "Zwaard en ketting bevestigen").

Kettingzaag inschakelen (fig. F)

- ◆ Grijp uw kettingzaag met beide handen stevig vast. Druk de ontgrendelingsknop (2) naar voren en druk vervolgens op de aan/uit-schakelaar (1) om te starten.
- ◆ Neem uw duim van de vergrendelingsknop (2) en grijp de handgreep stevig vast zodra de motor is gestart.

Oefen geen druk uit op het gereedschap, maar laat de zaagketting zijn werk doen.

De zaag werkt beter en veiliger op de snelheid waarvoor deze is ontworpen. Bij te veel kracht kan de zaagketting (6) uitrekken.

Als de zaagketting (6) of het zwaard (7) vast komt te zitten:

- ◆ Schakel het gereedschap uit.
- ◆ Koppel het gereedschap los van de netspanning.
- ◆ Open de snede met wiggen om de spanning van het zwaard (7) weg te nemen. Probeer de kettingzaag niet los te wrikken. Begin met een nieuwe zaagsnede.

Vellen (fig. H - J)

Onervaren gebruikers kunnen beter niet proberen om bomen te vellen. Er kan letsel of materiële schade optreden als de boom in de verkeerde richting valt of versplintert, of als er beschadigde/dode takken tijdens het zagen omlaag vallen.

De veilige afstand tussen een te vellen boom en omstanders, gebouwen en andere objecten is ten minste 2 ½ keer de hoogte van de boom. Elke omstander en elk gebouw of voorwerp binnen deze afstand loopt het gevaar om geraakt te worden door de vallende boom.

Voordat u een boom velt:

- ◆ Controleer of er geen wetten of voorschriften zijn die het vellen van de boom verbieden.
- ◆ Houd rekening met alle voorwaarden die van invloed kunnen zijn op de valrichting, waaronder:
 - ◆ De beoogde valrichting.
 - ◆ De natuurlijke overhelling van de boom.
 - ◆ Een verdikking of rotte plek.
 - ◆ Omstaande bomen en obstakels zoals bovengrondse kabels en ondergrondse afvoeren.
 - ◆ De richting en kracht van de wind.

Plan van tevoren een veilige uitweg, uit de buurt van vallende bomen of takken. Zorg dat de vluchtweg vrij is van obstakels die u kunnen hinderen. Onthoud dat nat gras en pas gesnoeide schors glad is.

Vel geen bomen waarvan de stamdiameter groter is dan de zaaglengte van de kettingzaag.

Maak een inkeping om de valrichting te bepalen.

Maak hiervoor aan de voet van de boom haaks op de vallijn een horizontale snede tot een diepte van 1/5e tot 1/3e van de stamdiameter (fig. H). Maak vervolgens van bovenaf onder een hoek van circa 45° een tweede snede die het einde van de eerste snede kruist en zo de inkeping vormt.

Maak hierna vanaf de andere zijde 2,5 tot 5 centimeter boven het centrum van deze inkeping een enkele horizontale snede (fig. I). Zaag niet helemaal tot aan de inkeping, aangezien u hierdoor de controle over de valrichting kunt verliezen.

Sla een of meer wiggen in de zaagsnede om deze te openen en de boom om te laten vallen (fig. J).

Bomen snoeien

Controleer of er geen wetten of voorschriften zijn die het snoeien van de boomtakken verbieden. Snoei alleen als u al wat meer ervaring met de zaag hebt opgedaan. Hierbij bestaat namelijk een grotere kans dat de zaagketting klem komt te zitten en terugslaat.

Houd vóór het snoeien rekening met alle voorwaarden die de valrichting kunnen beïnvloeden, waaronder:

- ◆ De lengte en het gewicht van de te zagen tak.
- ◆ Een verdikking of rotte plek.
- ◆ Andere bomen of obstakels zoals bovengrondse kabels.
- ◆ De richting en kracht van de wind.
- ◆ Vervlechtingen van de tak met andere takken.

Houd rekening met de toegankelijkheid van de tak en de valrichting. Takken hebben de neiging om naar de boomstam te zwaaien. Behalve de gebruiker loopt elke omstander, elk object of elk gebouw onder de tak gevaar.

Maak ter voorkoming van versplintering de opwaartse eerste snede tot een diepte van maximaal één derde van de takdiameter. Maak vervolgens een neerwaartse tweede snede tot aan de eerste.

Blokken zagen (fig. K, L & M)

De manier van zagen is afhankelijk van de ondersteuning van het blok. Maak zo mogelijk gebruik van een zaagbok. Begin een zaagsnede altijd terwijl de zaagketting (6) draait en de gekartelde stootrand (17) het hout raakt (fig. K). Maak met de gekartelde stootrand draaibewegingen tegen het hout.

Bij ondersteuning over de volle lengte:

- ◆ Zaag in neerwaartse richting, maar zorg dat u de grond niet raakt, want hierdoor wordt uw zaag snel bot.

Bij ondersteuning aan beide uiteinden:

- ◆ Zaag eerst tot eenderde omlaag om versplintering te voorkomen en vervolgens nogmaals tot aan de eerste snede.

Bij ondersteuning aan één uiteinde:

- ◆ Zaag eerst tot eenderde omhoog en vervolgens omlaag om versplintering te voorkomen.

Zagen op een helling (fig. L):

- ◆ Ga altijd heuvelopwaarts van het werk staan.

Bij gebruik van een zaagbok (fig. M):

Het wordt sterk aanbevolen om indien mogelijk een zaagbok te gebruiken.

- ◆ Plaats het blok in een stabiele positie. Zaag altijd aan de buitenkant van de armen van de zaagbok. Zet het werkstuk met klemmen of riemen vast.

Zet het werkstuk met klampen of wiggen vast als u het blok op de grond wilt zagen. Ga niet op het blok staan of zitten om het blok stabiel te houden. Vraag dit ook niet aan anderen. Zorg ervoor dat de zaagketting de grond niet raakt.

Onderhoud

Wanneer u de zaag regelmatig onderhoudt, kunt u deze lang gebruiken. Controleer regelmatig de volgende zaken.

Oliepeil

Het peil in het reservoir mag niet onder een kwart komen.

Zaagketting en zwaard (fig. G)

- ◆ Verwijder telkens na enkele uren gebruik de zaagketting (6) en het zwaard (7), en reinig deze grondig.
- ◆ Wanneer u de onderdelen weer monteert, moet het zwaard (7) 180° worden gedraaid en moet de neus van het aandrijfkettingwiel via het tandwielsmeergat (16) worden gesmeerd. Hierdoor wordt de slijtage gelijkmatig over de zwaardrails verdeeld.

Zaagketting slijpen

Voor optimale prestaties van het gereedschap moet u de tanden van de zaagketting scherp houden. Richtlijnen voor deze procedure vindt u op de verpakking van de slijper. Wij raden u aan de Black & Decker kettingslijpsset aan te schaffen (verkrijgbaar bij servicecentra van Black & Decker en geselecteerde dealers).

Versleten ketting vervangen

Reservekettingen zijn verkrijgbaar in de detailhandel of bij Black & Decker servicecentra. Gebruik alleen reserveonderdelen van Black & Decker.

Scherpte van zaagketting

De zaagtanden worden direct bot als deze tijdens het zagen de grond of een spijker raken.

Spanning van zaagketting

Controleer regelmatig de kettingspanning.

Reparatie van de kettingzaag

Uw kettingzaag voldoet aan de geldende veiligheidseisen. Reparaties mogen uitsluitend worden uitgevoerd door bevoegde vakmensen en met behulp van originele reserveonderdelen. Niet-naleving van deze regel kan aanzienlijk gevaren voor de gebruiker opleveren. Bewaar deze gebruiksaanwijzing op een veilige plaats.

Netstekker vervangen (alleen V.K. & Ierland)

Als er een nieuwe netstekker moet worden aangebracht:

- ◆ Gooi de oude stekker op verantwoorde wijze weg.
- ◆ Verbind de bruine draad met de spannings-/fasepool in de nieuwe stekker.
- ◆ Verbind de blauwe draad met de nul-/neutraalpool.

Waarschuwing! De aardepool hoeft niet te worden aangesloten. Volg de bevestigingsinstructies die met hoogwaardige stekkers wordt meegeleverd. Aanbevolen zekering: 10 A.

Milieu



Mocht u op een dag constateren dat het gereedschap aan vervanging toe is of dat u het gereedschap niet meer nodig hebt, houdt u dan rekening met het milieu. Black & Decker-servicecentra zijn bereid oude Black & Decker-machines in te nemen en ervoor te zorgen dat deze op milieuvriendelijke wijze worden afgevoerd.



Gescheiden inzameling van gebruikte producten en verpakkingsmaterialen maakt het mogelijk materialen te recyclen en opnieuw te gebruiken. Hergebruik van gerecycleerde materialen zorgt voor minder milieuvuiling en dringt de vraag naar grondstoffen terug.

Plaatselijke verordeningen kunnen voorzien in gescheiden inzameling van huishoudelijke elektrische producten via gemeentelijke stortplaatsen of via de leverancier bij wie u een nieuw product aanschaft.

Black & Decker biedt de mogelijkheid tot het recyclen van afgedankte Black & Decker-producten. Om gebruik te maken van deze service, dient u het product naar een van onze servicecentra te sturen, die de inzameling voor ons verzorgen.

U kunt het adres van het dichtstbijzijnde servicecentrum opvragen via de adressen op de achterzijde van deze handleiding. U kunt ook een lijst van onze servicecentra en meer informatie over onze klantenservice vinden op het volgende internetadres: www.2helpU.com.

Technische gegevens

	GK1730	GK1735	GK1740	GK1930	GK1935	GK1940
Spanning (Vac)	230	230	230	230	230	230
Ingangsvermogen (W)	1700	1700	1700	1850	1850	1850
Onbelast toerental (min ⁻¹)	5500	5500	5500	5500	5500	5500
Maximale lengte zaagsnede (cm)	30	35	40	30	35	40
Oliefouw (ml)	100	100	100	100	100	100
Gewicht (kg)	5,55	5,65	5,8	5,6	5,7	5,85
Veiligheidsklasse	II	II	II	II	II	II

Ontwerpregistratienr voor Europese Gemeenschap
000417274-0001

EG-conformiteitsverklaring

GK1730, GK1735, GK1740, GK1930, GK1935, GK1940

Black & Decker verklaart dat deze producten in overeenstemming zijn met:

98/37/EG, 89/336/EEG, 73/23/EEG, 2002/96/EG, 2002/95/EG, EN 50144, EN 55014, EN61000, EN60745

2000/14/EG, Kettingzaag _ 1600 w, Bijlage V

Niveau van de geluidsdruk, gemeten volgens 2000/14/EG:

LpA (geluidsdruk) 94.2 dB(A)

LWA (geluidsvermogen) 105.2 dB(A)

LWA (gegarandeerd) 104 dB(A)

Draag altijd gehoorbeschermers als de geluidsdruk meer dan 85 dB (A) bedraagt.

Gewogen waarde van hand-arm-trilling, gemeten volgens EN 60745:

3.5 m/sec²



Kevin Hewitt
Director of Consumer Engineering
Spennymoor, County Durham
DL16 6JG,
Verenigd Koninkrijk
31-10-2006

Garantie

Black & Decker heeft vertrouwen in zijn producten en biedt een uitstekende garantie. Deze garantiebepalingen vormen een aanvulling op uw wettelijke rechten en beperken deze niet. De garantie geldt in de lidstaten van de Europese Unie en de Europese Vrijhandelsassociatie.

Mocht uw Black & Decker product binnen 24 maanden na de datum van aankoop defect raken ten gevolge van materiaal- of constructiefouten, dan garanderen wij de kosteloze vervanging van defecte onderdelen, de reparatie van het product of de vervanging van het product, tenzij:

- ◆ Het product is gebruikt voor handelsdoeleinden, professionele toepassingen of verhuurdoeleinden;
- ◆ Het product onoordeelkundig is gebruikt;
- ◆ Het product is beschadigd door invloeden van buitenaf of door een ongeval;
- ◆ Reparaties zijn uitgevoerd door anderen dan onze servicecentra of Black & Decker-personeel.

Om een beroep te doen op de garantie, dient u een aankoopbewijs te overhandigen aan de verkoper of een van onze servicecentra. U kunt het adres van het dichtstbijzijnde servicecentrum opvragen via de adressen op de achterzijde van deze handleiding. U kunt ook een lijst van onze servicecentra en meer informatie m.b.t. onze klantenservice vinden op het volgende internetadres: www.2helpU.com

Meld u aan op onze website www.blackanddecker.nl om te worden geïnformeerd over nieuwe producten en speciale aanbiedingen. Verdere informatie over het merk Black & Decker en onze producten vindt u op www.blackanddecker.nl.

Uso previsto

La motosierra Black & Decker se ha diseñado para podar y talar árboles y cortar troncos. Esta herramienta está pensada únicamente para uso doméstico.

Normas de seguridad generales

¡Atención! Lea íntegramente estas instrucciones. En caso de no atenerse a las siguientes instrucciones de seguridad, ello puede dar lugar a una descarga eléctrica, incendio o lesión grave.

El término "herramienta eléctrica" empleado en las advertencias indicadas a continuación se refiere a la herramienta eléctrica con alimentación de red (con cable) o alimentada por batería (sin cable).

GUARDE ESTAS INSTRUCCIONES EN UN LUGAR SEGURO.

1. Área de trabajo

a. Mantenga limpia y bien iluminada el área de trabajo.

El desorden y una iluminación deficiente en las áreas de trabajo pueden provocar accidentes.

b. No utilice la herramienta eléctrica en un entorno con peligro de explosión, en el que se encuentren combustibles líquidos, gases o material en polvo.

Las herramientas eléctricas producen chispas que pueden llegar a inflamar los materiales en polvo o vapores.

c. Mantenga alejados a los niños y otras personas del área de trabajo al emplear la herramienta eléctrica.

Una distracción le puede hacer perder el control sobre la herramienta.

2. Seguridad eléctrica

a. El enchufe de la herramienta eléctrica debe corresponder a la toma de corriente utilizada. No es admisible modificar el enchufe en forma alguna. No emplee adaptadores en herramientas eléctricas dotadas con toma de tierra.

Los enchufes sin modificar adecuados a las respectivas tomas de corriente reducen el riesgo de una descarga eléctrica.

b. Evite que su cuerpo toque partes conectadas a tierra como tuberías, radiadores, cocinas y refrigeradores.

El riesgo a quedar expuesto a una descarga eléctrica es mayor si su cuerpo tiene contacto con tierra.

c. No exponga las herramientas eléctricas a la lluvia y evite que penetren líquidos en su interior.

Existe el peligro de recibir una descarga eléctrica si penetran ciertos líquidos en la herramienta eléctrica.

d. Cuide el cable de alimentación. No utilice el cable de red para transportar o colgar la herramienta eléctrica, ni tire de él para sacar el enchufe de la toma de corriente. Mantenga el cable de red alejado del calor, aceite, bordes afilados o piezas móviles.

Los cables de red dañados o enredados pueden provocar una descarga eléctrica.

e. Al trabajar con la herramienta eléctrica en la intemperie utilice solamente cables de prolongación homologados para su uso en exteriores.

La utilización de un cable de prolongación adecuado para su uso en exteriores reduce el riesgo de una descarga eléctrica.

3. Seguridad personal

a. Esté atento a lo que hace y emplee la herramienta eléctrica con prudencia. No utilice la herramienta eléctrica si estuviese cansado, ni tampoco después de haber consumido alcohol, drogas o medicamentos.

El no estar atento durante el uso de una herramienta eléctrica puede provocarle serias lesiones.

b. Utilice un equipo de protección y en todo caso unas gafas de protección.

El riesgo a lesionarse se reduce considerablemente si, dependiendo del tipo y la aplicación de la herramienta eléctrica empleada, se utiliza un equipo de protección adecuado como una mascarilla antipolvo, zapatos de seguridad con suela antideslizante, casco o protectores auditivos.

c. Evite una puesta en marcha accidental de la herramienta. Compruebe que el interruptor está en la posición de apagado antes de enchufar la herramienta.

Transportar la herramienta eléctrica con el dedo sobre el interruptor o enchufarla con el interruptor encendido puede provocar accidentes.

d. Retire las herramientas de ajuste o llaves fijas antes de conectar la herramienta eléctrica.

Una herramienta o llave colocada en una pieza giratoria de la herramienta eléctrica puede producir lesiones al ponerse a funcionar.

e. Sea precavido. Evite adoptar una posición que fatigue su cuerpo; mantenga un apoyo firme sobre el suelo y conserve el equilibrio en todo momento.

Ello le permitirá controlar mejor la herramienta eléctrica en caso de presentarse una situación inesperada.

f. Lleve puesta una vestimenta de trabajo adecuada. No lleve vestidos anchos ni joyas. Mantenga su pelo, vestimenta y guantes alejados de las piezas móviles.

La vestimenta suelta, las joyas y el pelo largo se pueden enganchar con las piezas en movimiento.

g. Siempre que sea posible utilizar unos equipos de aspiración o captación de polvo, asegúrese que éstos estén montados y que sean utilizados correctamente.

El empleo de estos equipos reduce los riesgos derivados del polvo.

4. Uso y cuidado de herramientas eléctricas

a. No sobrecargue la herramienta eléctrica. Use la herramienta eléctrica prevista para el trabajo a realizar.

Con la herramienta eléctrica adecuada podrá trabajar mejor y más seguro dentro del margen de potencia indicado.

- b. **No utilice herramientas eléctricas con un interruptor defectuoso.** Las herramientas eléctricas que no se puedan conectar o desconectar son peligrosas y deben hacerse reparar.
 - c. **Saque el enchufe de la red antes de realizar un ajuste en la herramienta eléctrica, cambiar de accesorio o al guardar la herramienta.** Esta medida preventiva reduce el riesgo de conectar accidentalmente la herramienta eléctrica.
 - d. **Guarde las herramientas eléctricas fuera del alcance de los niños y de las personas que no estén familiarizadas con su uso.** Las herramientas eléctricas utilizadas por personas inexpertas son peligrosas.
 - e. **Cuide sus herramientas eléctricas con esmero. Controle si funcionan correctamente, sin atascarse, las partes móviles de la herramienta eléctrica, y si existen partes rotas o deterioradas que pudieran afectar al funcionamiento de la herramienta. Si la herramienta eléctrica estuviese defectuosa haga que la reparen antes de volver a utilizarla.** Muchos accidentes se deben a herramientas eléctricas con un mantenimiento deficiente.
 - f. **Mantenga las herramientas de corte limpias y afiladas.** Las herramientas de corte mantenidas correctamente se dejan guiar y controlar mejor.
 - g. **Utilice la herramienta eléctrica, los accesorios y útiles de herramienta, etc. de acuerdo con estas instrucciones y en la manera indicada específicamente para esta herramienta eléctrica. Considere en ello las condiciones de trabajo y la tarea a realizar.** El uso de herramientas eléctricas para trabajos diferentes de aquellos para los que han sido concebidas puede resultar peligroso.
- 5. Servicio técnico**
- a. **Haga reparar su herramienta eléctrica sólo por personal técnico autorizado que emplee exclusivamente piezas de repuesto originales.** Solamente así se garantiza la seguridad de la herramienta eléctrica.

Instrucciones de seguridad adicionales para la motosierra

- ◆ **Mantenga su cuerpo y su ropa alejados de la cadena mientras la motosierra esté funcionando. Antes de encender la herramienta, asegúrese de que la cadena de sierra no esté en contacto con ningún objeto.** El no estar atento durante la utilización de la motosierra puede provocar que la ropa o partes del cuerpo se enreden con ésta.
- ◆ **Sujete siempre la motosierra con la mano derecha en el mango trasero y la mano izquierda en el delantero.** Nunca sujete la motosierra con la posición contraria de las manos, puesto que aumenta el riesgo de que se produzcan lesiones personales.
- ◆ **Lleve siempre gafas protectoras y protectores para los oídos. Se recomienda el uso de un equipo de protección para cabeza, manos, piernas y pies.** El uso de ropa de protección reducirá los daños a personas causados por residuos volantes o contacto accidental con la cadena de sierra.
- ◆ **No utilice la motosierra en un árbol.** El uso de la herramienta mientras está subido en un árbol puede resultar en lesiones personales.
- ◆ **Mantenga siempre un apoyo firme en el suelo y utilice la motosierra sólo cuando se encuentre sobre una superficie fija, segura y regular.** La superficies resbaladizas o inestables como, por ejemplo, las escaleras, pueden provocar la pérdida del equilibrio o el control de la motosierra.
- ◆ **Cuando corte una rama sometida a tensión, tenga cuidado con la fuerza de retroceso.** Cuando se libera la tensión de las fibras de madera, la rama podría golpear al operario y/ o arrojar la herramienta fuera de su alcance.
- ◆ **Tenga sumo cuidado cuando corte matorrales o árboles jóvenes.** El material más ligero puede atrapar la cadena de sierra y golpearle en forma de látigo o desequilibrarle.
- ◆ **Transporte la motosierra por el mango frontal, apagada y lejos del cuerpo. Al transportar o guardar la motosierra encaje la cubierta de la barra guía.** Una manipulación adecuada de la motosierra reducirá las posibilidades de que se produzca un contacto accidental con la cadena de sierra en movimiento.
- ◆ **Siga las instrucciones para lubricar, tensar la cadena y cambiar los accesorios.** Una cadena incorrectamente tensada o lubricada puede romperse o aumentar el riesgo de que se produzca un retroceso de la sierra.
- ◆ **Mantenga las asas secas, limpias y libres de aceite y grasa.** Las empuñaduras con aceite o grasa son resbaladizas y pueden provocar la pérdida de control.
- ◆ **Corte únicamente madera. No utilice la motosierra para objetivos diferentes a los previstos. Por ejemplo: no la utilice para cortar plástico, mampostería o materiales de construcción que no sean de madera.** El uso de la motosierra para trabajos diferentes de aquellos para los que ha sido concebida puede resultar peligroso.

Causas y prevención del retroceso de la sierra:

Es posible que se produzca un retroceso cuando la boca o la punta de la barra guía toca un objeto, o cuando la madera se acerca y se engancha con la cadena de sierra durante el corte.

En algunos casos el contacto con la punta puede provocar una reacción invertida y repentina, levantando y bajando la barra guía hacia el usuario.

Es posible que si se pellizca la cadena de sierra en la parte superior de la barra guía, ésta puede retroceder hasta el usuario.

Cualquiera de estas reacciones puede provocar la pérdida del control de la motosierra y resultar en lesiones personales graves. No confíe únicamente en los dispositivos de seguridad incorporados de la motosierra. Como usuario de la motosierra, debe tomar precauciones para evitar accidentes durante el uso de la herramienta.

El retroceso se debe a la utilización inadecuada y/o procedimientos o condiciones de trabajo incorrectos y puede evitarse tomando las precauciones que se detallan a continuación.

- ◆ **Sujete firmemente el mango rodeándolo con los dedos. Con las dos manos en la motosierra, coloque el cuerpo y el brazo de modo que pueda soportar los retrocesos.** Si se toman las precauciones adecuadas, es posible controlar los retrocesos. No desatienda la motosierra.
- ◆ **No se extralimite y no realice cortes a una altura superior al hombro.** De este modo, evitará el contacto accidental con la punta y ayudará a controlar mejor la motosierra en situaciones inesperadas.
- ◆ **Utilice únicamente barras guía y cadenas de repuesto especificadas por el fabricante.** Las barras guía y cadenas de repuesto colocadas de forma incorrecta pueden provocar la ruptura o retrocesos de la cadena.
- ◆ **Siga las instrucciones del fabricante acerca del afilado y mantenimiento de la cadena de sierra.** La disminución de la altura del profundímetro puede resultar en el aumento de retrocesos.

Recomendaciones de seguridad

- ◆ Recomendamos encarecidamente que los usuarios principiantes obtengan de otro usuario con más experiencia instrucciones prácticas del uso de la motosierra y del equipo de protección. La práctica inicial debe completarse con el serrado de troncos sobre un caballete o un soporte.
- ◆ Recomendamos que antes de transportar la motosierra compruebe que el freno está acoplado.
- ◆ Realice el mantenimiento de la motosierra cuando no la utilice. Cuando guarde la motosierra para no utilizarla durante un cierto tiempo, desmonte primero la cadena de sierra y la barra guía que habrán de conservarse sumergidas en aceite. Guarde todas las piezas de la motosierra en un lugar seco y seguro, fuera del alcance de los niños.
- ◆ Le recomendamos purgar el depósito de aceite antes de guardar la herramienta.

- ◆ Asegúrese de tener los pies firmemente asentados y prepare un plan de salida segura para la caída de árboles o ramas.
- ◆ Use cuñas para ayudar a controlar la tala y evitar que la cadena y la barra guía queden bloqueadas en la madera.
- ◆ Cuidados de la cadena de sierra. Mantenga la cadena de sierra afilada y bien encajada en la barra guía. Asegúrese de que la cadena de sierra y la barra guía estén limpias y bien lubricadas. Mantenga las asas secas, limpias y libres de aceite y grasa.

El retroceso puede ser debido a:

- ◆ Golpear accidentalmente ramas u otros objetos con la punta de la sierra mientras la cadena de sierra está en movimiento.
- ◆ Golpear metales, cemento u otros materiales duros que estén cerca de la madera o enterrados en la misma.
- ◆ Cadena floja o suelta
- ◆ Corte por encima de la altura del hombro.
- ◆ Falta de atención al sujetar o guiar la motosierra mientras se está cortando.
- ◆ Excesos Mantenga en todo momento un apoyo firme sobre el suelo y el equilibrio y no alargue excesivamente el radio de acción.
- ◆ No inserte la sierra en un corte anterior. Podría provocar un retroceso. Realice un nuevo corte cada vez.
- ◆ Recomendamos encarecidamente que no utilice la motosierra mientras se encuentre en un árbol, una escalera o cualquier otra superficie inestable. Si decidiera hacerlo, queda advertido que estas posiciones son extremadamente peligrosas.
- ◆ Cuando corte una rama que esté en tensión, esté atento a la fuerza de retroceso para que no le golpee cuando se libere la tensión.

Evite cortar:

- ◆ Madera preparada.
- ◆ Dentro del suelo.
- ◆ En alambradas, clavos, etc.
- ◆ Matorrales de poco tamaño y árboles jóvenes ya que el material más ligero puede atrapar la cadena de sierra y golpearle en forma de látigo o desequilibrarle.
- ◆ No use la motosierra a una altura por encima del hombro.
- ◆ Asegúrese de que haya otra persona cerca (pero a una distancia segura) en caso de accidente.
- ◆ Si por alguna razón tiene que tocar la cadena, asegúrese de que la motosierra esté desconectada de la corriente.
- ◆ El ruido de este producto puede superar los 85 dB(A).
- ◆ Le recomendamos, por tanto, que tome las medidas adecuadas para proteger sus oídos.

En la herramienta aparecen los siguientes símbolos de advertencia:



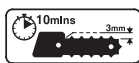
Lea este manual con atención.



Evitar que la sierra quede expuesta a la lluvia y que penetren líquidos en su interior.



Use siempre la protección de oídos y ojos.



Comprobar la tensión de la cadena al cabo de 10 minutos de uso. Ajustarla con un huelgo de 3 mm.



Antes de revisar un cable dañado, retire siempre la clavija del enchufe de corriente. Tenga cuidado de no utilizar la motosierra si el cable está estropeado.



El ruido de este producto puede superar 85 dB(A).

Seguridad eléctrica



La herramienta lleva un doble aislamiento; por lo tanto no requiere una toma a tierra. Compruebe siempre que la tensión de la red corresponda con el valor indicado en la placa de datos de la herramienta.

Otras instrucciones de seguridad

- Este aparato no ha sido concebido para ser utilizado por jóvenes ni personas discapacitadas sin supervisión. Debe vigilarse a los niños para asegurarse de que no jueguen con el aparato.
 - Si se llegase a dañar el cable de alimentación, deberá ser sustituido por el fabricante o por un centro de asistencia técnica autorizado de Black & Decker para evitar cualquier situación de riesgo.
- Protéjase contra la electrocución.
- Evite el contacto del cuerpo con superficies conectadas a masa o tierra (por ejemplo verjas metálicas o farolas, etc.). Se puede incrementar la seguridad eléctrica utilizando disyuntores de alta sensibilidad (30 mA) para detectar corrientes de fuga.

¡Atención! El uso de disyuntores de alta sensibilidad u otro cortacircuitos no dispensa al usuario de la motosierra de cumplir con las instrucciones y prácticas de seguridad dadas en este manual de usuario.

Características

- Conmutador ON/OFF (encendido/apagado)
- Botón de desbloqueo
- Tapón del aceite
- Montaje del protector delantero/freno de la sierra
- Tornillo de ajuste de la tensión de la cadena
- Cadena
- Barra guía
- Funda de la cadena
- Botón de la tapa de la cadena
- Montaje de la cubierta de la cadena
- Indicador del nivel de aceite

MONTAJE

Engrase de la herramienta (fig. A)

Deberá hacerlo cada vez que utilice una nueva cadena (6) por primera vez. Saque la cadena nueva (6) de su bolsa de plástico y empápele con aceite para cadenas durante, al menos, una hora antes de utilizarla. Utilice únicamente aceite para cadenas Black & Decker

Le recomendamos utilizar una sola marca de aceite durante la vida útil de la motosierra puesto que las mezclas de aceites diferentes pueden llegar a degradar el aceite lo que puede acortar, drásticamente, la duración de la cadena de sierra.

No utilice nunca aceite usado, aceite pesado o aceite muy ligero de máquinas de coser. Estos aceites pueden estropear la motosierra.

Colocación de la barra guía y la cadena (fig. A - F)



¡Atención! Utilice siempre guantes de protección cuando manipule la motosierra.

- Coloque la motosierra sobre una superficie estable.
- Afloje y retire el bloqueo de la cubierta de la cadena (9) (fig. A).
- Ajuste el protector delantero en la posición ① (fig. C).
- Quite el montaje de la cubierta de la cadena (10).
- Coloque la cadena (6) sobre la barra guía (7), asegurándose de que los dientes de la parte superior de la barra guía (7) miran hacia el frente (fig. B).
- Guíe la cadena (6) alrededor de la barra guía (7) y tire de ella para crear un bucle en un lado de la parte posterior de la barra guía (7).
- Coloque la cadena (6) y la barra guía (7) en la motosierra. Guíe la cadena (6) alrededor de la rueda dentada motriz (12). Coloque la barra guía (7) sobre los espárragos (13). Asegúrese de que la pinza de tuerca deslizante (14) quede situada en el orificio tensor (15) (fig. E).

- ◆ Asegúrese de que el montaje del freno de cadena (4) se encuentra en la posición ① antes de volverlo a colocar (fig. C).
- ◆ Coloque el montaje de la cubierta de la cadena (10) en la motosierra.
- ◆ Instale el bloqueo de la cubierta de la cadena (9) y apriételo con los dedos.
- ◆ Gire el tornillo de ajuste de la tensión de la cadena (5) (fig.E) en el sentido de las agujas del reloj hasta que la cadena (6) quede totalmente apretada. Asegúrese de que la cadena (6) está ajustada alrededor de la barra guía (7). No apriete en exceso.
- ◆ Apriete el bloqueo de la cubierta de la cadena (9).

Comprobación y ajuste de la tensión de la cadena (fig. E y G)

- ◆ Antes de usar la herramienta y después de cada 10 minutos de uso, debe comprobar la tensión de la cadena.
- ◆ Tire suavemente de la cadena (6) como se indica (intercale fig. G). La tensión es correcta cuando la cadena (6) vuelve atrás tras haber sido separada 3 mm de la barra guía (7). No debe haber "comba" alguna entre la barra guía (7) y la cadena (6) en la parte inferior.

Nota: No tense demasiado la cadena (6) ya que provocará un desgaste excesivo y se reducirá la vida útil de la barra guía (7) y de la cadena (6).

Nota: Cuando la cadena (6) sea nueva, compruebe la tensión frecuentemente (después de desconectar la máquina de la corriente) durante las 2 primeras horas de uso ya que la cadena (6) nueva se alarga ligeramente.

Para aumentar la tensión:

- ◆ Gire el tornillo de ajuste de la tensión de la cadena (5a) en el sentido de las agujas del reloj.

Llenado del depósito de aceite (fig. F)

- ◆ Retire el tapón del aceite (3) y llene el depósito con aceite para cadenas recomendado. Podrá ver el nivel de aceite en el indicador de nivel de aceite (11). Vuelva a poner el tapón del aceite (3).
- ◆ Apague y compruebe periódicamente el indicador de nivel de aceite (11), si está por debajo de un cuarto de su total, desconecte la motosierra de la corriente y rellene el depósito.

Freno automático de la sierra (fig. C)

- ◆ Esta herramienta incorpora un freno automático (4) que detiene la cadena (6) en menos de 150 ms cada vez que usted suelte el gatillo trasero o se produzca un retroceso. Compruebe el funcionamiento del freno de la cadena (4) antes de cada uso.

Como ajustar el freno de cadena (fig. C)

- ◆ Asegúrese de que la herramienta está desconectada de la alimentación de corriente.

- ◆ Tire hacia atrás el montaje del protector delantero/freno de la sierra (4) en la posición marcada con ① (fig. C).

La herramienta está ahora lista para su uso.

Cómo funciona el freno de cadena de anti-retroceso

En caso de retroceso, su mano izquierda entra en contacto con el protector delantero, empujándolo hacia delante, hacia la pieza de trabajo, y haciendo que la herramienta se pare en 150 ms.

Cómo funciona el freno de cadena activado por inercia.

El montaje del protector delantero/freno de la sierra (4) se activa cuando el protector delantero se empuja hacia delante, bien de forma manual con el dorso de la mano del usuario o por su propio peso. La ventaja del freno de inercia estriba en que se activa cuando se produce un retroceso importante, por ejemplo, cuando la cadena (6) golpea metal incluso si la mano del usuario no toca el protector delantero, es decir, cuando la sierra está en posición de talar.

Como ajustar el freno de cadena anti-retroceso (fig. C)

- ◆ Agarre firmemente la herramienta con ambas manos sobre una superficie firme – asegúrese de que la cadena está alejada del suelo y encienda la máquina (consulte "Cómo encender la motosierra").
- ◆ Gire la mano izquierda hacia adelante alrededor del mango delantero de forma tal que el dorso de la mano haga contacto con el protector delantero (4) empujándolo hacia delante, hacia la pieza de trabajo (fig. C). Ahora la cadena (6) debería detenerse en unas pocas fracciones de segundo.

Para restablecer después de la utilización del montaje del protector delantero/freno de cadena (4):

- ◆ Siga las instrucciones de "Como ajustar el freno de cadena".

Nota: No será posible encender la herramienta si el protector delantero/freno de cadena (4) no está en posición "set" ①.

Nota: No arranque de nuevo la herramienta hasta que no haya oído que el motor se ha detenido por completo.

Nota: Si la cadena (6) no se para inmediatamente, esto puede indicar que es necesario ajustar su tensión (consulte "Colocación de la barra guía y de la cadena").

Cómo encender la herramienta (fig. F)

- ◆ Agarre firmemente la motosierra con ambas manos. Empuje el botón de desbloqueo (2) hacia adelante y pulse el interruptor de on/off (encendido/apagado) (1) para comenzar.
- ◆ Cuando arranque el motor, retire el pulgar del botón del bloqueo (2) y agarre el mango firmemente.

No fuerce la herramienta – deje que funcione a su ritmo.

Realizará un trabajo mejor y más seguro a la velocidad a la que fue diseñada. Una fuerza excesiva estirará la cadena (6).

Si la cadena de la sierra (6) o la barra guía (7) se atascan:

- ◆ Apague la herramienta.
- ◆ Desconecte la herramienta de la toma de corriente.
- ◆ Abra el corte con cuñas para disminuir la presión sobre la barra guía (7). No intente soltar la motosierra con un tirón. Inicie un nuevo corte.

Tala (fig. H - J)

Los usuarios sin experiencia no deben talar árboles. Es posible que el usuario sufra lesiones o daños materiales como resultado de la pérdida de control de la dirección de caída, el árbol puede astillarse o la ramas dañadas o muertas pueden caer durante la tala.

La distancia de seguridad entre un árbol que se tala y los transeúntes, edificios y otros objetos es al menos 2 veces y media la altura del árbol. Los transeúntes, edificios u objetos que se encuentren dentro de esta distancia corren el riesgo de ser golpeados por el árbol mientras cae.

Antes de talar árboles:

- ◆ Asegúrese de que no existen ordenanzas o normas municipales que prohíban o controlen la tala de árboles.
- ◆ Considere todas las condiciones que puedan influir en la dirección de caída, incluidas las siguientes:
 - ◆ La dirección de caída prevista.
 - ◆ La inclinación natural del árbol.
 - ◆ Cualquier putrefacción o estructura de rama pesada y poco común.
 - ◆ Árboles circundantes y obstáculos como líneas de teléfono o tendido eléctrico y desagües subterráneos.
 - ◆ La velocidad y dirección del viento.

Tenga preparado un plan de salida segura para la caída de árboles o ramas. Asegúrese de que la trayectoria de salida esté libre de obstáculos que eviten o impidan el movimiento. Recuerde que la hierba mojada y la corteza recién cortada son resbaladizas.

No tala árboles cuyo diámetro es mayor que la longitud de corte de la motosierra.

Se realiza un corte angular para determinar la dirección de la caída.

Se realiza un corte horizontal a una profundidad de entre 1/5 y 1/3 del diámetro del árbol, perpendicular a la línea de caída en la base del árbol (fig. H). El segundo corte se realiza desde arriba para que coincida con el primero para realizar un corte angular de unos 45°.

Realice un único corte horizontal por el otro lado unos 2,5 – 5 cm por encima del centro del corte angular (fig. I). No corte a través del corte angular puesto que podría perder el control de la dirección de caída.

Introduzca una o más cuñas en este corte de tala para abrirlo y dejar caer el árbol (fig. J).

Poda de árboles

Asegúrese de que no existen ordenanzas o normas municipales que prohíban o controlen la poda de árboles. La poda deben realizarla usuarios experimentados puesto que hay riesgo de que se produzca un retroceso o se enganche la cadena.

Antes de podar deben considerarse las condiciones que afectan la dirección de caída incluyendo:

- ◆ La longitud y el peso de la rama que va a cortar
- ◆ Cualquier putrefacción o estructura de rama pesada y poco común.
- ◆ Árboles circundantes y obstáculos como líneas de teléfono o de tendido eléctrico.
- ◆ La velocidad y dirección del viento.
- ◆ Las ramas que se entrelazan.

El usuario debe considerar el acceso a la rama del árbol y la dirección de caída. Es probable que las ramas oscilen hacia el tronco. Además del usuario, los transeúntes, objetos y propiedades que se encuentren bajo la rama están en peligro.

Para evitar el astillamiento, el primer corte se realizará hacia arriba con la máxima profundidad a un tercio del diámetro de la rama. El segundo corte se realizará hacia abajo para que coincida con el primero.

Corta forestal (fig. K, L y M)

Cómo deberá cortar dependerá de la forma en que se sujete el tronco. Use un caballete de aserrar siempre que sea posible. Siempre comience el corte con la cadena (6) en funcionamiento y el amortiguador de púas (17) en contacto con la madera (fig. K). Para completar el corte, use la acción pivotante del amortiguador de púas contra la madera.

Cuando se apoya en toda su longitud:

- ◆ Haga un corte hacia abajo, evitando cortar la tierra para no mellar rápidamente la cadena.

Cuando se apoya en ambos extremos:

- ◆ Primero corte un tercio hacia abajo para evitar que se astille y seguidamente corte de nuevo siguiendo el primer corte,

Cuando se apoya en un extremo:

- ◆ Primero, corte un tercio hacia arriba para evitar que se astille y seguidamente corte hacia abajo para evitar el mismo problema.

Cuando se está en pendiente (fig. L):

- ◆ Colóquese siempre cuesta arriba.

Cuando se usa caballete de aserrar (fig. M):

Siempre que sea posible, se recomienda encarecidamente su utilización.

- ◆ Coloque el tronco en posición estable. Corte siempre sobre el exterior de los brazos del caballete de aserrar. Utilice pinzas o correas para asegurar la pieza de trabajo.

Cuando desee cortar un tronco en el suelo asegure la pieza de trabajo mediante abrazaderas o cuñas. El usuario o transeúntes no deben estabilizar el tronco sentándose sobre él. Asegúrese de que la motosierra no entra en contacto con el suelo.

Mantenimiento

El mantenimiento regular asegura una larga vida efectiva de la herramienta. Le recomendamos que realice los chequeos siguientes de forma periódica:

Nivel de aceite

No se deberá dejar que el nivel del depósito caiga por debajo de un cuarto de su total.

Cadena de sierra y barra guía (fig. G)

- ◆ Cada pocas horas de uso, quite la cadena (6) y la barra guía (7) y límpielas a fondo.
- ◆ Durante el montaje, la barra guía (7) debe girarse 180° y la rueda dentada engrasarse a través del orificio de lubricación (16). Esto garantiza una distribución uniforme del desgaste alrededor de los raíles de la barra guía.

Afilado de la cadena de sierra

Si desea conseguir el máximo rendimiento de la herramienta, es importante que mantenga los dientes de la motosierra afilados. Las instrucciones de este procedimiento se encuentran en el paquete del afilador. A tal fin, recomendamos comprar el kit de afilado de cadena de sierra de Black & Decker (disponible en los talleres de servicio y concesionarios seleccionados de Black & Decker).

Cambio de las cadenas desgastadas

Las tiendas de minoristas y talleres de servicio de Black & Decker disponen de cadenas de repuesto. Utilice tan solo los accesorios originales.

Afilado de la cadena de sierra

Los dientes se mellarán inmediatamente si tocan el suelo o golpean un clavo mientras se está cortando.

Tensión de la cadena de sierra

Compruebe periódicamente la tensión de la cadena.

Qué hacer si la motosierra necesita reparación:

La motosierra cumple con los requisitos de seguridad: Las reparaciones deben llevarse a cabo por personal cualificado, usando piezas de recambio originales; en caso contrario, podría ocasionarse un considerable peligro al usuario. Le recomendamos guardar este manual en sitio seguro.

Sustitución del enchufe de red (sólo Reino Unido e Irlanda)

Si es necesario colocar un nuevo enchufe para la red eléctrica:

- ◆ Deseche el enchufe anterior según las normas de seguridad.
- ◆ Conecte el cable marrón al terminal conductor del nuevo enchufe.
- ◆ Conecte el cable azul al terminal neutro.

¡Atención! No se debe realizar ninguna conexión al terminal de conexión a tierra. Siga las instrucciones de montaje que se suministran con los enchufes de buena calidad. Fusible recomendado: 10 A.

Protección del medio ambiente



Si llegase el momento en que fuese necesario sustituir la herramienta o si ésta dejase de tener utilidad, debe tener en cuenta la protección del medioambiente. El servicio técnico autorizado de Black & Decker aceptará herramientas Black & Decker ya usadas y se asegurará de desprenderse de ellas de modo que no se perjudique el medioambiente.



La recogida selectiva de productos y embalajes usados permite el reciclaje de materiales y su reutilización. La reutilización de materiales reciclados contribuye a evitar la contaminación medioambiental y reduce la demanda de materias primas.

Las normativas municipales deben ofrecer la recogida selectiva de productos eléctricos del hogar, en puntos municipales previstos para ello o a través del distribuidor en el caso en que se adquiera un nuevo producto.

Black & Decker proporciona facilidades para la recogida y reciclado de los productos Black & Decker que hayan llegado al final de su vida útil. Para poder utilizar este servicio, le rogamos entregue el producto a cualquier servicio técnico autorizado que se hará cargo del mismo en nuestro nombre.

Para consultar la dirección de su servicio técnico autorizado más cercano, póngase en contacto con la oficina local de Black & Decker en la dirección que se indica en este manual. Como alternativa, se puede consultar en Internet, en la dirección siguiente, una lista de servicios técnicos

autorizados e información completa de nuestros servicios de postventa y contactos: www.2helpU.com.

Características técnicas

	GK1730	GK1735	GK1740	GK1930	GK1935	GK1940
Voltaje (Vca)	230	230	230	230	230	230
Potencia de entrada (W)	1.700	1.700	1.700	1.850	1.850	1.850
Velocidad sin carga (min ⁻¹)	5.500	5.500	5.500	5.500	5.500	5.500
Máxima longitud de corte (cm)	30	35	40	30	35	40
Capacidad de aceite (ml)	100	100	100	100	100	100
Peso (kg)	5,55	5,65	5,8	5,6	5,7	5,85
Clase de seguridad	II	II	II	II	II	II

Número de registro del diseño en la Comunidad Europea
000417274-0001

Declaración de conformidad CE

GK1730; GK1735; GK1740; GK1930; GK1935; GK1940

Black & Decker declara que estos productos cumplen las normas siguientes:

98/37/EC. 89/336/EEC. 73/23/EEC. 2002/96/EC. 2002/95/EC. EN 50144. EN 55014. EN61000. EN60745 2000/14/EC. Motosierra_ 1600 w. Anexo V

El nivel de la presión acústica, medida de acuerdo con 2000/14/EC:

LpA (presión de sonido) 94.2 dB(A)

LWA (potencia acústica) 105.2 dB(A)

LWA (garantizado) 104 dB(A)

Utilice siempre protección para oídos si la presión acústica excede los 85 dB (A).

Valor cuadrático medio ponderado en frecuencia de la aceleración según EN 60745:
3.5 m/sec²



Kevin Hewitt
Director de Ingeniería del Consumidor
Spennymoor, County Durham
DL16 6JG,
Reino Unido
31-10-2006

Garantía

Black & Decker confía plenamente en la calidad de sus productos y ofrece una garantía extraordinaria. Esta declaración de garantía es un añadido, y en ningún caso un perjuicio para sus derechos estatutarios. La garantía es válida dentro de los territorios de los Estados miembros de la Unión Europea y de los de la Zona Europea de Libre Comercio.

Si un producto Black & Decker resultara defectuoso debido a materiales o mano de obra defectuosos o a la falta de conformidad, Black & Decker garantiza, dentro de los 24 meses de la fecha de compra, la sustitución de las piezas defectuosas, la reparación de los productos sujetos a un desgaste y rotura razonables o la sustitución de tales productos para garantizar al cliente el mínimo de inconvenientes, a menos que:

- ◆ El producto se haya utilizado con propósitos comerciales, profesionales o de alquiler.
- ◆ El producto se haya sometido a un uso inadecuado o negligente.
- ◆ El producto haya sufrido daños causados por objetos o sustancias extrañas o accidentes.
- ◆ Se hayan realizado reparaciones por parte de personas que no sean del servicio técnico autorizado o personal de servicios de Black & Decker.

Para reclamar en garantía, será necesario que presente la prueba de compra al vendedor o al servicio técnico de reparaciones autorizado. Puede consultar la dirección de su servicio técnico más cercano poniéndose en contacto con la oficina local de Black & Decker en la dirección que se indica en este manual. Como alternativa, puede consultar en Internet la lista de servicios técnicos autorizados e información completa de nuestros servicios de postventa y contactos, en la dirección siguiente,; www.2helpU.com

Visite nuestro sitio web www.blackanddecker.eu para registrar su nuevo producto Black & Decker y mantenerse al día sobre nuestros productos y ofertas especiales. Encontrará más información acerca de la marca Black & Decker y de la gama de productos que ofrece en la dirección www.blackanddecker.eu.

Utilização

A sua electroserreta Black & Decker foi concebida para podar e derrubar árvores e cortar ramos. Esta ferramenta destina-se apenas a utilização doméstica.

Regras gerais de segurança

Advertência! Leia todas as instruções. O não cumprimento das instruções a seguir pode resultar em choque eléctrico, incêndio e/ou graves lesões. O termo "ferramenta eléctrica", utilizado a seguir, refere-se a ferramentas eléctricas com ligação à correia eléctrica (com fios) ou operadas a bateria (sem fios).

GUARDE BEM ESTAS INSTRUÇÕES.

1. Área de trabalho

- a. **Mantenha a área de trabalho limpa e bem iluminada.** Áreas desarrumadas e mal iluminadas são propícias a acidentes.
- b. **Não trabalhe com ferramentas eléctricas em áreas com risco de explosão, nas quais se encontrem líquidos, gases ou poeiras inflamáveis.** As ferramentas eléctricas produzem faíscas que podem provocar a ignição de poeiras ou vapores.
- c. **Mantenha crianças e outras pessoas afastadas durante a utilização da ferramenta eléctrica.** As distrações podem dar origem a que perca o controlo da ferramenta.

2. Segurança eléctrica

- a. **A ficha da ferramenta eléctrica deve caber na tomada. A ficha não deve ser modificada de modo algum. Não utilize quaisquer fichas adaptadoras com ferramentas eléctricas ligadas à terra.** Fichas sem modificações e tomadas adequadas reduzem o risco de choques eléctricos.
- b. **Evite que o corpo entre em contacto com superfícies ligadas à terra, como tubos, radiadores, fogões e frigoríficos.** Existe um maior risco de choque eléctrico se o seu corpo estiver ligado à terra.
- c. **As ferramentas eléctricas não podem ser expostas a chuva nem humidade.** A penetração de água na ferramenta eléctrica aumenta o risco de choques eléctricos.
- d. **Manuseie o fio com cuidado. O cabo não deve ser utilizado para transportar ou pendurar a ferramenta, nem para puxar a ficha da tomada. Mantenha o cabo afastado de calor, óleo, pontas afiadas ou partes móveis.** Cabos danificados ou torcidos aumentam o risco de choques eléctricos.
- e. **Quando trabalhar com uma ferramenta eléctrica ao ar livre, utilize um cabo de extensão apropriado para esse fim.** A utilização de um cabo apropriado para áreas ao ar livre reduz o risco de choques eléctricos.

3. Segurança pessoal

- a. **Mantenha-se atento, observe o que está a fazer e seja prudente ao trabalhar com a ferramenta eléctrica. Não utilize uma ferramenta eléctrica se estiver cansado ou sob a influência de drogas, álcool ou medicamentos.**

Um momento de falta de atenção durante a utilização de ferramentas eléctricas poderá causar graves lesões.

- b. **Use equipamento pessoal de protecção. Utilize sempre óculos de protecção.** Equipamentos de segurança, como, por exemplo, máscara de protecção contra pó, sapatos de segurança anti-derrapantes, capacete de segurança ou protecção auricular, usados de acordo com as condições adequadas, reduzirão o risco de lesões.
- c. **Evite um accionamento involuntário. Certifique-se de que o interruptor está na posição de desligado antes de ligar à tomada.** O transporte de ferramentas eléctricas com o dedo no interruptor ou a ligação das mesmas à correia eléctrica com o interruptor ligado pode causar acidentes.
- d. **Retire eventuais chaves de ajuste ou chaves de fenda, antes de ligar a ferramenta eléctrica.** Uma chave de fenda ou chave de ajuste que se encontre numa peça rotativa da ferramenta eléctrica poderá causar lesões.
- e. **Não se incline. Mantenha-se sempre bem posicionado e em equilíbrio.** Desta forma, será mais fácil controlar a ferramenta eléctrica em situações inesperadas.
- f. **Utilize vestuário adequado. Não utilize roupas largas nem jóias. Mantenha o cabelo, roupa e luvas afastados de peças em movimento.** Roupas largas, jóias ou cabelos longos podem ficar presos nas peças em movimento.
- g. **Se for prevista a montagem de dispositivos de extracção e recolha de pó, assegure-se de que estão ligados e que são utilizados de forma correcta.** A utilização destes dispositivos reduz os riscos relacionados com pó

4. Utilização e manutenção da ferramenta eléctrica

- a. **Não sobrecarregue a ferramenta eléctrica. Utilize a ferramenta eléctrica adequada ao trabalho pretendido.** A ferramenta eléctrica correcta realizará o trabalho de forma melhor e mais segura, com a potência com que foi concebida.
- b. **Não utilize a ferramenta eléctrica se o interruptor não puder ser ligado nem desligado.** Qualquer ferramenta eléctrica que não possa ser controlada com o interruptor é perigosa e terá de ser reparada.
- c. **Desligue a ficha da tomada antes de efectuar ajustes na ferramenta, substituir acessórios ou armazenar a ferramenta eléctrica.** Estas medidas de segurança reduzem o risco de a ferramenta eléctrica ser ligada acidentalmente.

- d. **Mantenha as ferramentas eléctricas que não estiverem a ser utilizadas fora do alcance de crianças. Não permita que a ferramenta eléctrica seja utilizada por pessoas não familiarizadas com a mesma ou que não tenham lido estas instruções.** As ferramentas eléctrica são perigosas se utilizadas por pessoas não qualificadas.
- e. **Efectue a manutenção das ferramentas eléctricas. Verifique se as partes móveis estão desalinhasadas ou bloqueadas, se existem peças partidas ou qualquer outra situação que possa afectar o funcionamento das ferramentas eléctricas. As peças danificadas devem ser reparadas antes da utilização da ferramenta eléctrica.** Muitos acidentes têm como causa uma manutenção insuficiente das ferramentas eléctricas.
- f. **Mantenha as ferramentas de corte sempre afiadas e limpas.** As ferramentas de corte com a manutenção adequada e as extremidades afiadas bloqueiam com menos frequência e são mais fáceis de controlar.
- g. **Utilize a ferramenta eléctrica, os acessórios e as brocas da ferramenta, etc., de acordo com estas instruções e da maneira determinada para este tipo especial de ferramenta eléctrica. Considere também as condições de trabalho e o trabalho a ser efectuado.** A utilização da ferramenta eléctrica para outros fins que não os previstos poderá resultar em situações perigosas.
5. **Reparação**
- a. **A sua ferramenta eléctrica só deve ser reparada por pessoal qualificado e só devem ser colocadas peças sobressalentes originais.** Desta forma, será assegurada a segurança da ferramenta eléctrica.

Instruções de segurança adicionais para a electroserra

- ◆ **Mantenha todas as partes do corpo afastadas da correia da serra quando a electroserra estiver em funcionamento. Antes de ligar a electroserra, certifique-se de que a correia da serra não está em contacto com nada.** Um momento de falta de atenção durante a utilização da electroserra poderá fazer com que o seu vestuário ou corpo fique preso na electroserra.
- ◆ **Segure sempre a electroserra com a sua mão direito no punho traseiro e a sua mão esquerda no punho dianteiro.** Segurar a electroserra com a disposição invertida das mãos aumenta o risco de lesões e nunca deverá ser efectuado.
- ◆ **Utilize óculos de segurança e protecção auricular. É recomendada a utilização de equipamento de protecção adicional para a cabeça, mãos, pernas e pés.** Um vestuário de protecção adequado reduzirá as lesões causadas por detritos que voem ou por um contacto accidental com a correia da serra.
- ◆ **Não utilize uma electroserra numa árvore.** A utilização de uma electroserra numa árvore poderá resultar em lesões.

- ◆ **Mantenha-se sempre bem posicionado e utilize a electroserra apenas quando se encontrar numa superfície fixa, segura e nivelada.** As superfícies escorregadias ou instáveis, como, por exemplo, escadas, poderão causar uma perda de equilíbrio ou controlo da electroserra.
- ◆ **Quando estiver a cortar uma perna sob tensão, esteja atento à recuperação elástica.** Quando a tensão das fibras de madeira for libertada, a perna sob tensão pode atingir o operador e/ou provocar o descontrolo da electroserra.
- ◆ **Tenha especial cuidado ao cortar galhos e casca de árvore.** O material fino e delgado poderá tocar na correia da serra e saltar na sua direcção ou fazer com que se desequilibre.
- ◆ **Transporte a electroserra pelo punho dianteiro com a electroserra desligada e afastada do seu corpo. Quando transportar ou armazenar a electroserra, coloque sempre a tampa da barra de direcção.** Um manuseamento adequado da electroserra reduzirá a probabilidade de um contacto accidental com a correia da serra em movimento.
- ◆ **Siga as instruções relativas à lubrificação, tensão da correia e trocar acessórios.** Uma correia incorrectamente tensionada ou lubrificada poderá partir ou aumentar a probabilidade de um contra-golpe.
- ◆ **Mantenha os punhos secos, limpos e sem qualquer óleo ou gordura.** Os punhos engordurados com óleo são escorregadios, causando uma perda de controlo.
- ◆ **Corte apenas madeira. Não utilize a electroserra para fins diferentes dos previstos. Por exemplo: não utilize a electroserra para cortar plástico, pedra nem materiais de construção que não sejam madeira.** A utilização da electroserra para outros fins que não os previstos poderá resultar em situações perigosas.

Causa e prevenção contra um contra-golpe:

O contra-golpe poderá ocorrer quando a frente ou ponta da barra de direcção tocar num objecto ou quando um pedaço de madeira se fechar e emperrar a correia da serra no corte. O contacto com a ponta poderá, em alguns casos, causar uma súbita reacção inversa, empurrando a barra de direcção para cima e para trás em direcção ao utilizador. Prender a correia da serra ao longo da parte superior da barra de direcção poderá empurrar a barra de direcção rapidamente para trás em direcção ao utilizador. Qualquer uma destas reacções poderá fazer com que perca o controlo da electroserra, o que poderá causar lesões. Não dependa exclusivamente dos dispositivos de segurança integrados na sua electroserra. Como utilizador de uma electroserra, deverá efectuar diversas medidas para manter os seus trabalhos de corte isentos de acidentes ou lesões.

Um contra-golpe é o resultado de uma utilização errada da ferramenta e/ou de procedimentos ou condições de utilização incorrectos, podendo ser evitado com medidas de precauções apropriadas, conforme descrito em seguida:

- ◆ **Segure firmemente o punho, com os polegares e os dedos à volta dos punhos da electroserra. Com ambas as mãos na electroserra, posicione o seu corpo e braço de modo a permitir que suporte as forças de um contra-golpe.** As forças de um contra-golpe podem ser controladas pelo utilizador, se forem tomadas medidas de precauções apropriadas. Não largue a electroserra.
- ◆ **Mantenha sempre o equilíbrio e não corte a uma altura superior à do seu ombro.** Isto ajuda a impedir um contacto involuntário da ponta e permite um melhor controlo da electroserra em situações inesperadas.
- ◆ **Utilize apenas barras de direcção e correias de substituição especificadas pelo fabricante.** Barras de direcção e correias de substituição incorrectas poderão originar a quebra da correia e/ou um contra-golpe.
- ◆ **Respeite as instruções de afiação e manutenção do fabricante para a correia da serra.** Diminuir a altura do indicador de profundidade poderá originar um contra-golpe maior.

Recomendações de segurança para a electroserra

- ◆ Recomendamos que os utilizadores principiantes obtenham instruções práticas sobre a utilização da electroserra e equipamento de protecção de um utilizador experiente. A prática inicial deverá ser efectuada serrando lenha num cavalete ou andaime.
- ◆ Quando transportar a electroserra, recomendamos que se certifique de que o travão está accionado
- ◆ Efectue a manutenção da sua electroserra quando não estiver em utilização. Não armazene a electroserra, mesmo sem saber por quanto tempo, sem antes remover a correia e a barra de direcção que deverão ficar mergulhadas em óleo. Armazene todas as peças da electroserra num local seco, seguro e fora do alcance das crianças.
- ◆ Recomendamos que drene o depósito do óleo antes de armazenar.
- ◆ Tenha em atenção com os seus passos e disponibilize uma saída de segurança de uma queda de árvore ou troncos.
- ◆ Utilize calços para ajudar a controlar o derrubamento e para evitar o bloqueamento da barra de direcção e da correia na madeira.
- ◆ Cuidados a ter com a correia. Mantenha a correia afiada e bem colocada na barra de direcção. Certifique-se de que a correia da serra e a barra de direcção estão limpas e bem oleadas. Mantenha os punhos secos, limpos e sem qualquer óleo ou gordura.

Um contra-golpe pode ser causado por:

- ◆ Bater em troncos ou outros objectos acidentalmente com a ponta da serra enquanto a correia estiver em movimento.
- ◆ Bater em metal, cimento ou outro material duro perto da madeira, ou furar a madeira.
- ◆ Uma correia desafiada ou solta.
- ◆ Cortar a uma altura superior à do seu ombro.
- ◆ Falta de atenção ao segurar ou orientar a electroserra durante o corte.
- ◆ Sobre-alcance. Mantenha sempre o equilíbrio.
- ◆ Não tente inserir a serra num corte anterior, uma vez que poderá causar um contra-golpe. Faça sempre um corte novo.
- ◆ Recomendamos que não tente trabalhar com a electroserra quando estiver em cima de uma árvore, escada ou superfície instável. Caso contrário, tenha em atenção que estas posições são extremamente perigosas.
- ◆ Ao cortar um tronco que esteja sob tensão, tenha em atenção pois pode fazer ricochete quando a tensão aliviar.

Evite cortar:

- ◆ Madeira preparada.
- ◆ O chão.
- ◆ Arames metálicos, pregos, etc.
- ◆ Galhos de pequenas dimensões e casca de árvores, uma vez que o material fino e delgado poderá tocar na correia da serra e saltar na sua direcção ou fazer com que se desequilibre.
- ◆ Não utilize a ferramenta a uma altura superior à do seu ombro.
- ◆ Certifique-se de que, em caso de acidente, existe alguém por perto (mas a uma distância de segurança).
- ◆ Se, por qualquer motivo, tiver de tocar na correia da serra, certifique-se de que a sua electroserra é desligada da tomada.
- ◆ O ruído produzido por este produto pode ultrapassar os 85 dB(A).
- ◆ Recomendamos que tome as devidas medidas para proteger os ouvidos.

A ferramenta contém os seguintes símbolos de aviso:



Leia cuidadosamente a totalidade deste manual.



Não utilize a serra sob condições húmidas nem a exponha à chuva.



Utilize sempre protecção para os olhos e para os ouvidos.



Verifique a tensão da corrente após cada 10 minutos de utilização. Ajuste-a até obter uma folga de 3 mm.



Remova sempre a ficha da tomada antes de inspeccionar o cabo danificado. Tenha em atenção para não utilizar a electrosera caso o cabo esteja danificado.



O ruído produzido por este produto pode ultrapassar os 85 dB(A).

Segurança eléctrica



Esta ferramenta tem um isolamento duplo e, por isso, não é necessário um fio de terra. Verifique sempre se a fonte de alimentação corresponde à tensão indicada na placa de especificações.

Instruções de segurança adicionais

- ◆ Este aparelho não se destina a ser utilizado por jovens nem por pessoas enfermas sem supervisão. As crianças deverão ser vigiadas para que não mexam no aparelho.
- ◆ Se o cabo de alimentação for danificado, terá de ser substituído pelo fabricante ou por um centro de assistência autorizada Black & Decker para evitar acidentes.

Tenha cuidado com os choques eléctricos.

- ◆ Evite o contacto com superfícies aterradas tais como trilhos de metal, postes de iluminação, etc. A segurança eléctrica pode ser melhorada mediante o uso de um Dispositivo de Corrente Residual (RCD) de alta sensibilidade (30 mA/30mS).

Advertência! A utilização de um RCD ou de outro disjuntor não desvincula o utilizador da sua electrosera das instruções de segurança e práticas de trabalho seguro fornecidas neste manual do utilizador.

Funções

1. Interruptor para ligar/desligar
2. Botão de travamento
3. Tampão do óleo
4. Conjunto do travamento do condutor frontal/correia
5. Parafuso de ajuste da tensão da correia
6. Correia
7. Barra de direcção
8. Protecção da correia
9. Botão de protecção da correia
10. Conjunto da protecção da correia
11. Indicador do nível do óleo

MONTAGEM

Olear a correia (fig. A)

Deverá efectuar este procedimento sempre que utilizar uma correia (6) nova pela primeira vez. Retire a correia (6) nova do respectivo saco plástico e mergulhe-a em óleo para correias durante pelo menos uma hora antes de a utilizar. Utilize óleo para correias Black & Decker

Recomendamos que utilize apenas uma marca de óleo durante a vida útil da sua electrosera, pois as misturas de diferentes óleos poderão fazer com que o óleo se degrade, o que poderá reduzir drasticamente a vida útil da correia da serra.

Nunca utilize óleo usado, óleo pesado ou óleo de máquina de costura muito leve. Estes óleos podem danificar a sua electrosera.

Colocação da barra de direcção e correia (fig. A - F)



Advertência! Utilize sempre luvas de protecção ao trabalhar na sua electrosera.

- ◆ Coloque a electrosera numa superfície estável.
- ◆ Solte e remova o botão de protecção da correia (9) (fig. A).
- ◆ Coloque o condutor frontal na posição ① (fig. C).
- ◆ Retire o conjunto da protecção da correia (10).
- ◆ Coloque a correia (6) sobre a barra de direcção (7), certificando-se de que as lâminas da correia da serra na parte superior da barra de direcção (7) estão voltadas para a frente (fig. B).
- ◆ Coloque a correia (6) à volta da barra de direcção (7) e puxe-a de forma a criar um arco de um dos lados na extremidade posterior da barra de direcção (7).
- ◆ Coloque a correia (6) e a barra de direcção (7) na electrosera. Oriente a correia (6) em torno da roda dentada de accionamento (12). Coloque a barra de direcção (7) nos suportes (13). Certifique-se de que a lingueta da porca deslizante (14) fica colocada no orifício de tensão (15) (fig. E).
- ◆ Certifique-se de que o conjunto do travamento da correia (4) se encontra na posição definida ① antes de voltar a colocá-lo (fig. C).
- ◆ Coloque o conjunto da protecção da correia (10) na electrosera.
- ◆ Coloque o botão de protecção da correia (9) e aperte-o manualmente.
- ◆ Rode o parafuso de ajuste da tensão da correia (5) (fig. E) no sentido dos ponteiros do relógio até a correia (6) estar apertada. Certifique-se de que a correia (6) está bem colocada à volta da barra de direcção (7). Não a aperte em demasia.
- ◆ Aperte o botão de protecção da correia (9).

Verificar e ajustar a tensão da correia (fig. E & G)

- ◆ Antes de utilizar e 10 minutos após cada utilização, deve verificar a tensão da correia.
- ◆ Puxe ligeiramente a correia (6), conforme ilustrado (secção da fig. G). A tensão está correcta quando a correia (6) faz pressão após ser puxada 3 mm na direcção oposta à barra de direcção (7). Não deverá restar qualquer "folga" entre a barra de direcção (7) e a correia (6) no lado inferior.

Nota: Não aplique tensão excessiva na correia (6), uma vez que tal poderá originar um desgaste excessivo, reduzindo a duração da barra de direcção (7) e da correia (6).

Nota: Se a correia (6) for nova, verifique a tensão frequentemente (após desligar da corrente) durante as primeiras 2 horas de utilização, uma vez que as correias (6) novas esticam ligeiramente.

Para aumentar a tensão:

- ◆ Rode o parafuso de ajuste da tensão da correia (5a) no sentido dos ponteiros do relógio.

Encher o depósito de óleo (fig. F)

- ◆ Remova o tampão do óleo (3) e encha o depósito com o óleo recomendado para a correia. Pode ver o nível de óleo no indicador do nível do óleo (11). Volte a colocar o tampão do óleo (3).
- ◆ Desligue periodicamente e verifique o indicador do nível do óleo (11); se estiver menos de um quarto cheio, desligue a electroserra da corrente e volte a encher o depósito com o óleo correcto.

Travamento da correia de paragem automática (fig. C)

- ◆ Esta ferramenta inclui um conjunto de travamento da correia de paragem automática (4), o qual parará a correia (6) no espaço de 150 ms sempre que soltar o gatilho traseiro ou se ocorrer um contra-golpe. O conjunto do travamento da correia (4) deverá ser testado antes de cada utilização.

Como ajustar o travamento da correia (fig. C)

- ◆ Verifique se a ferramenta está desligada da corrente eléctrica.
- ◆ Puxe o conjunto do travamento do condutor frontal/correia (4) novamente para a posição "definida" marcada ① (fig. C).

A ferramenta está pronta a ser utilizada.

Como funciona o travamento da correia anti-contra-golpes

No caso de um contra-golpe, a sua mão esquerda entra em contacto com o condutor frontal, empurrando-o para trás, em direcção à peça de trabalho, parando a ferramenta no espaço de 150 ms.

Como funciona o travamento da correia accionado pela inércia

O conjunto do travamento do condutor frontal/correia (4) é activado quando o condutor de mão frontal é puxado para a frente: manualmente, com as costas da mão do utilizador ou pelo seu próprio peso. A vantagem do travão de inércia consiste em ser activado por um contra-golpe grave, ou seja, quando a correia (6) bate em metal, mesmo que a mão do utilizador não entre em contacto com o condutor frontal, isto é, quando a serra estiver na posição de derrubamento.

Como testar o travamento da correia anti-contra-golpes (fig. C)

- ◆ Segure firmemente na ferramenta com ambas as mãos sobre uma superfície firme, certifique-se de que a correia da serra (6) está afastada do solo e ligue-a (ver "Como ligar a electroserra").
- ◆ Rode a sua mão esquerda para a frente à volta do punho frontal de modo a que as costas da sua mão entrem em contacto com o conjunto do travamento do condutor frontal/correia (4) e o empurre para a frente, em direcção à peça de trabalho (fig. C). A correia da serra (6) deverá parar em fracções de segundo.

Para voltar a ajustar o funcionamento do conjunto do travamento do condutor frontal/correia (4):

- ◆ Siga as instruções sobre "Como ajustar o travamento da correia".

Nota: Não será possível ligar a ferramenta se o conjunto do travamento do condutor frontal/correia (4) não estiver na posição "definida" ①.

Nota: Evite voltar a ligar a ferramenta antes de ouvir o motor parar completamente.

Nota: Se a correia da serra (6) não parar imediatamente, é sinal de que necessita de tensão (ver "Colocação da barra de direcção e correia").

Como ligar a ferramenta (fig. F)

- ◆ Segure firmemente na electroserra com ambas as mãos. Mantenha o botão de destravamento (2) para a frente e prima o interruptor de ligar/desligar (1) para arrancar.
- ◆ Quando o motor arrancar, retire o seu polegar do botão de bloqueio (2) e segure no punho firmemente.

Não force a ferramenta – deixe-a trabalhar.

Esta fará um trabalho melhor e mais seguro à velocidade adequada. A força excessiva esticará a correia da serra (6).

Se a correia da serra (6) ou barra de direcção (7) ficar encravada:

- ◆ Desligue a ferramenta.
- ◆ Desligue a ferramenta da alimentação principal.
- ◆ Abra o corte com calços para aliviar a tensão exercida sobre a barra de direcção (7). Não tente libertar a electroserra. Faça um corte novo.

Derrubamento (fig. H - J)

Os utilizadores inexperientes não deverão tentar derrubar árvores. O utilizador poderá sofrer lesões ou danificar propriedade como resultado do não controlo da direcção da queda, a árvore poderá lascar ou poderão cair ramos danificados / mortos durante o corte.

A distância de segurança entre um ramo a derrubar e as pessoas presentes, edifícios e outros objectos corresponde no mínimo a 2 1/2 vezes a altura da árvore. Qualquer pessoa, edifício ou objecto que não se encontre a esta distância corre o risco de ser atingido pela árvore quando derrubada.

Antes de tentar derrubar uma árvore:

- ◆ Certifique-se de que não existem quaisquer leis ou regulamentações locais que impeçam ou regulem o derrube da árvore.
- ◆ Considere todas as condições que possam afectar a direcção da queda, incluindo:
 - ◆ A direcção pretendida da queda.
 - ◆ A inclinação natural da árvore.
 - ◆ A existência de alguma estrutura ou apodrecimento de madeira pesada.
 - ◆ As árvores e obstáculos envolventes, incluindo linhas aéreas e canalizações subterrâneas.
 - ◆ A velocidade e direcção do vento.

Planeie antecipadamente uma saída segura para escapar a árvores ou ramos em queda. Certifique-se de que o caminho não possui obstáculos que possam impedir ou reduzir o movimento. Lembre-se de que a relva molhada e as cascas de árvore cortadas recentemente podem ser escorregadias.

Não tente derrubar árvores cujo diâmetro seja superior ao comprimento de corte da electroserra.

É efectuado um corte de direcção para determinar a direcção da queda.

É efectuado um corte horizontal a uma profundidade entre 1/5 e 1/3 do diâmetro da árvore, de forma perpendicular à linha de queda na base da árvore (fig. H). O segundo corte é efectuado a partir de cima de modo a intersectar o primeiro e efectuar um corte de aproximadamente 45°.

Faça um único corte de derrubamento horizontal a partir do outro lado 1 a 2 polegadas acima do centro do corte de direcção. (fig. I). Não corte através do corte de direcção, pois poderá perder o controlo da direcção da queda.

Coloque um ou mais calços no corte de derrubamento para o abrir e derrubar a árvore (fig. J).

Podar árvores

Certifique-se de que não existem quaisquer leis ou regulamentações locais que impeçam ou regulem a poda das pernas das árvores. A poda apenas deverá ser efectuada por utilizadores experientes, pois existe um maior risco de a correia da serra ficar presa e libertar um contra-golpe.

Antes da poda, deverão ser tomadas em consideração as condições que afectam a direcção da queda, incluindo:

- ◆ O comprimento e peso do ramo a cortar.
- ◆ A existência de alguma estrutura ou apodrecimento de madeira pesada.
- ◆ Árvores e obstáculos envolventes, incluindo linhas aéreas.
- ◆ A velocidade e direcção do vento.
- ◆ O ramo estar entrelaçado com outros ramos.

O utilizador deverá tomar em consideração o acesso ao ramo da árvore e a direcção da queda. É provável que o ramo da árvore oscile em direcção ao tronco da árvore. Para além do utilizador, as pessoas, objectos e propriedade sob o ramo correm riscos.

Para evitar a criação de lascas, o primeiro corte é efectuado para cima a uma profundidade máxima de um terço do diâmetro do ramo. O segundo corte é efectuado para baixo de modo a encontrar o primeiro.

Cortar lenha (fig. K, L & M)

A forma de cortar depende da forma como o tronco está apoiado. Utilize um cavalete sempre que possível. Inicie sempre um corte com a correia da serra (6) em funcionamento e o amortecedor afiado (17) em contacto com a madeira (fig. K). Para completar o corte, utilize uma acção pivotante do amortecedor afiado contra a madeira.

Quando suportado ao longo de todo o respectivo comprimento:

- ◆ Efectue um corte para baixo, mas evite cortar a terra, pois tal tornará a correia da sua serra romba rapidamente.

Quando apoiado em ambas as extremidades:

- ◆ Em primeiro lugar, corte um terço para evitar que a madeira lasque e, em segundo lugar, efectue um novo corte que vá de encontro ao primeiro,

Quando apoiado numa extremidade:

- ◆ Em primeiro lugar, corte um terço para cima de modo a evitar que a madeira lasque e, em segundo lugar, corte para baixo para evitar que a madeira lasque.

Quando está num declive (fig. L):

- ◆ Fique sempre no lado de cima.

Quando utilizar um cavalete (fig. M):

É vivamente recomendado sempre que possível.

- ◆ Coloque o tronco numa posição estável. Corte sempre do lado de fora dos braços do cavalete. Utilize grampos ou correias para fixar a peça de trabalho.

Ao tentar cortar um tronco no solo, fixe a peça de trabalho utilizando calços ou cunhas. O tronco não deve ser fixado pelo utilizador ou por um espectador sentando-se ou pondo-se de pé sobre o tronco. Certifique-se de que a correia da serra não entra em contacto com o solo.

MANUTENÇÃO

Uma manutenção regular assegura à ferramenta um tempo de vida útil longo. Recomendamos que efectue as seguintes inspecções regularmente.

Nível do óleo

O nível do depósito não deve estar a menos de um quarto.

Correia da serra e barra de direcção (fig. G)

- ◆ Após poucas horas de utilização, retire a barra de direcção (7) e a correia da serra (6) e, em seguida, limpe-as exaustivamente.
- ◆ Aquando da montagem, a barra de direcção (7) deverá ser rodada 180° e o bico da roda dentada lubrificado através do orifício de lubrificação da roda dentada (16). Isto assegura uma distribuição uniforme do desgaste à volta dos trilhos da barra de direcção.

Afiar a correia

Se pretende obter os melhores resultados desta ferramenta, é importante manter os dentes da correia da electroserra afiados. Pode encontrar orientação para este procedimento na embalagem do afiador. Para este propósito, recomendamos a compra do kit de afiador da correia Black & Decker (disponível nos representantes de assistência da Black & Decker e distribuidores aprovados).

Substituir correias de serra gastas

Estão disponíveis correias de serra de substituição nos revendedores ou representantes da Black & Decker. Utilize sempre peças sobresselentes originais.

Correia afiada

As lâminas da correia da serra ficarão imediatamente rombas se tocarem no solo ou num prego durante o corte.

Tensão da correia

Verifique regularmente a tensão da correia da serra.

O que fazer se a sua electroserra necessitar de reparação.

A sua electroserra encontra-se em concordância com as exigências de segurança aplicáveis. As reparações devem ser realizadas por uma pessoa qualificada utilizando peças sobresselentes originais. Caso contrário, tal poderá resultar em perigos consideráveis para o utilizador. Recomendamos que mantenha o manual do utilizador em local seguro.

Substituição da ficha de ligação a corrente (apenas Reino Unido e Irlanda)

Se for necessário encaixar uma nova tomada de alimentação:

- ◆ Elimine com segurança a tomada antiga.
- ◆ Ligue o cabo castanho ao terminal activo na nova tomada.
- ◆ Ligue o cabo azul ao terminal neutro.

Advertência! Não é necessária efectuar qualquer ligação ao terminal de terra. Siga as instruções de encaixe fornecidas com as tomadas de excelente qualidade. Fusível recomendado: 10 A.

Protecção do ambiente



Se algum dia verificar que é preciso substituir a ferramenta ou que esta deixou de ter utilidade, pense na protecção do ambiente. Os agentes de reparação da Black & Decker aceitam ferramentas Black & Decker antigas e garantem que são eliminadas de uma forma segura em termos ambientais.



A recolha separada de produtos e embalagens usados permite que os materiais sejam reciclados e novamente utilizados. A reutilização de materiais reciclados ajuda a evitar a poluição ambiental e reduz a procura de matérias-primas.

A legislação local poderá prever a recolha separada de produtos domésticos eléctricos, seja em lixeiras municipais ou através do revendedor quando adquire um produto novo.

A Black & Decker dispõe de instalações para recolha e reciclagem de produtos Black & Decker quando estes atingem o fim da sua vida útil. Para usufruir deste serviço, devolva o produto em qualquer agente de reparação autorizado, que os recolherá em seu nome.

Pode verificar a localização do agente de reparação autorizado mais perto de si, contactando os escritórios locais da Black & Decker através do endereço indicado neste manual. Se preferir, pode encontrar na Internet uma lista de agentes de reparação autorizados Black & Decker, detalhes completos e contactos do serviço pós-venda, no endereço:

www.2helpU.com

Dados técnicos

	GK1730	GK1735	GK1740	GK1930	GK1935	GK1940
Voltagem (Vac)	230	230	230	230	230	230
Potência (W)	1700	1700	1700	1850	1850	1850
Velocidade sem carga (mín ⁻¹)	5500	5500	5500	5500	5500	5500
Comprimento máximo de corte (cm)	30	35	40	30	35	40
Capacidade de do óleo (ml)	100	100	100	100	100	100
Peso (kg)	5.55	5.65	5.8	5.6	5.7	5.85
Classe de segurança	II	II	II	II	II	II

N.º de registo de desenho da Comunidade Europeia
000417274-0001

Declaração de conformidade CE

GK1730; GK1735; GK1740; GK1930; GK1935; GK1940

A Black & Decker declara que estes produtos estão em conformidade com:

98/37/CE. 89/336/CEE. 73/23/CEE. 2002/96/CE. 2002/95/CE.

EN 50144. EN 55014. EN61000. EN60745

2000/14/CE. Electroserra _ 1600 w. Anexo V

Nível de pressão acústica medido de acordo com 2000/14/CE:

LpA (pressão acústica) 94.2 dB(A)

LWA (potência acústica) 105.2 dB(A)

LWA (com garantia) 104 dB(A)

Utilize sempre protecção dos ouvidos se a pressão acústica exceder 85 dB (A).

Valor ponderado da vibração do sistema mão/braço de acordo com a EN 60745:

3.5 m/sec²



Kevin Hewitt
Director de Engenharia de Consumo
Spennymoor, County Durham
DL16 6JG,
Reino Unido
31-10-2006

é um complemento dos seus direitos estabelecidos por lei, não os prejudicando de forma alguma. A garantia é válida nos territórios do Estados Membros da União Europeia e da Associação Europeia de Comércio Livre.

Se um produto Black & Decker se avariar devido a defeitos de material, fabrico ou não conformidade, num período de 24 meses após a data da compra, a Black & Decker garante a substituição das peças defeituosas, a reparação de produtos sujeitos a um desgaste aceitável ou a substituição dos mesmos para garantir o mínimo de inconvenientes ao cliente, excepto se:

- ◆ O produto tiver sido utilizado para fins comerciais, profissionais ou de aluguer.
- ◆ O produto tiver sido submetido a utilização indevida ou descuido.
- ◆ O produto tiver sido danificado por objectos estranhos, substâncias ou acidentes.
- ◆ Tiverem sido tentadas reparações por pessoas que não sejam agentes de reparação autorizados ou técnicos de manutenção da Black & Decker.

Para accionar a garantia, terá de apresentar comprovativos de compra ao vendedor ou a um agente de reparação autorizado. Pode verificar a localização do agente de reparação autorizado mais perto de si, contactando os escritórios locais da Black & Decker através do endereço indicado neste manual. Se preferir, pode encontrar na Internet uma lista de agentes de reparação autorizados Black & Decker, detalhes completos e contactos do serviço pós-venda, no endereço: www.2helpU.com

Visite o nosso website www.blackanddecker.eu para registar o novo produto Black & Decker e manter-se actualizado sobre novos produtos e ofertas especiais. Pode encontrar mais informações sobre a marca Black & Decker e sobre a nossa gama de produtos em www.blackanddecker.eu.

Garantia

A Black & Decker confia na qualidade dos seus produtos e oferece uma garantia excelente. Esta declaração de garantia

Användningsområde

Denna kedjesåg från Black & Decker är avsedd för trädfällning, beskärning och vedkapning. Verktyget är endast avsett för konsumentbruk.

Allmänna säkerhetsregler

Varning! Läs samtliga anvisningar. Fel som uppstår till följd av att anvisningarna nedan inte följts kan orsaka elektriska stötar, brand och/eller allvarliga kroppsskador. Nedan använt begrepp "Elverktyg" avser nätdrivna elverktyg (med nätsladd) och batteridrivna elverktyg (sladdlösa).

SPARA DESSA SÄKERHETSANVISNINGAR.

1. Arbetsområde

- Håll arbetsplatsen ren och välbelyst.** Oordning på arbetsplatsen och dåligt belyst arbetsområde kan leda till olyckor.
- Använd inte elverktyget i explosionsfarlig omgivning med brännbara vätskor, gaser eller damm.** Elverktygen alstrar gnistor som kan antända dammet eller gaserna.
- Håll under arbetet med elverktyget barn och andra personer på betryggande avstånd.** Om du blir störd kan du förlora kontrollen över elverktyget.

2. Elektrisk säkerhet

- Elverktygets kontakt måste passa i eluttaget. Kontakten får inte ändras på något sätt. Använd inte adapterkontakter tillsammans med skyddsjordade elverktyg.** Oändrade kontakter och passande eluttag reducerar risken för elektriska stötar.
- Undvik kroppskontakt med jordade ytor som t.ex. rör, värmeelement, spisar och kylskåp.** Risken för elektriska stötar ökar om din kropp är jordad.
- Skydda elverktyget mot regn och väta.** Om vatten tränger in i ett elverktyg ökar risken för elektriska stötar.
- Misshandla inte nätsladden. Använd inte sladden till att bära eller hänga upp elverktyget och inte heller för att dra ur kontakten ur eluttaget. Håll nätsladden på avstånd från värme, olja, skarpa kanter och rörliga maskindelar.** Skadade eller tilltrasslade sladdar ökar risken för elektriska stötar.
- Använd endast förlängningssladdar som är godkända för utomhusbruk när du arbetar med ett elverktyg utomhus.** Om en förlängningssladd avsedd för utomhusbruk används minskas risken för elektriska stötar.

3. Personlig säkerhet

- Var uppmärksam, se på vad du gör och använd elverktyget med förnuft. Använd inte elverktyget när du är trött eller om du är påverkad av droger, alkohol eller mediciner.** Under användning av elverktyg kan även en kort ouppmärksamhet leda till allvarliga kroppsskador.

- Använd personlig skyddsutrustning. Bär alltid skyddsglasögon.** Den personliga skyddsutrustningen som t.ex. dammfiltermask, halkfria säkerhetsskor, hjälm eller hörselskydd – med beaktande av elverktygets modell och driftsätt – reducerar risken för kroppsskada.
- Undvik oavsiktlig igångsättning. Kontrollera att strömbrytaren står i avstängt läge innan du sätter i kontakten.** Bär inte elverktyg med fingret på strömbrytaren och sätt inte i sladden när brytaren är i igångsatt läge, eftersom det ökar olycksrisken.
- Ta bort alla inställningsverktyg och skruvnycklar innan du startar elverktyget.** Ett verktyg eller en nyckel i en roterande komponent kan orsaka kroppsskada.
- Sträck dig inte för långt. Se till att du alltid har säkert fotfäste och balans.** Därmed har du bättre kontroll över elverktyget i oväntade situationer.
- Bär lämpliga kläder. Bär inte löst hängande kläder eller smycken. Håll undan hår, kläder och handskar från rörliga delar.** Löst hängande kläder, smycken och långt hår kan fastna i roterande delar.
- Om elverktyget har dammsugnings- och uppsamlingsutrustning, kontrollera att anordningarna är rätt monterade och används på korrekt sätt.** Dessa anordningar reducerar riskerna förenade med damm.
- Bruk och skötsel av elverktyg**
 - Överbelasta inte elverktyget. Använd rätt elverktyg för det aktuella arbetet.** Med ett lämpligt elverktyg kan du arbeta bättre och säkrare inom angivet effektområde.
 - Använd inte elverktyget om det inte går att starta och stänga av det med strömbrytaren.** Ett elverktyg som inte kan startas och stängas av med strömbrytaren är farligt och måste repareras.
 - Dra ur kontakten ur eluttaget innan du gör inställningar, byter delar eller lägger undan elverktyget.** Därmed undviker du risken för oavsiktlig igångsättning av elverktyget.
 - Förvara elverktygen utom räckhåll för barn. Låt inte elverktyget användas av personer som inte är vana vid det, eller som inte läst denna bruksanvisning.** Elverktyg är farliga om de används av ovana personer.
 - Sköt elverktyget omsorgsfullt. Kontrollera att rörliga komponenter fungerar felfritt och inte kärvar, att komponenter inte brutit eller skadats och inget annat föreligger som kan påverka elverktygets funktioner. Om elverktyget är skadat, se till att få det reparerat innan det används.** Många olyckor orsakas av dåligt skötta elverktyg.
 - Håll skärverktyg vassa och rena.** Omsorgsfullt skötta skärverktyg med skarpa eggar fastnar inte så lätt och är lättare att hantera.

- g. Använd elverktyget, tillhör, insatsverktyg osv. enligt dessa anvisningar och på sätt som avses för verktygsmodellens ifråga. Ta hänsyn till arbetsomständigheterna och arbetsmomenten.**

Användning av elverktyget på annat sätt än det avsedda kan framkalla fara.

5. Service

- a. Låt endast elverktyget repareras av kvalificerad fackpersonal och med originalreservdelar.** Detta garanterar att elverktygets säkerhet bibehålls.

Ytterligare säkerhetsanvisningar för kedjesågen.

- ◆ **Håll undan alla kroppsdelar från kedjan när sågen är igång.** Se till att kedjan inte vidrör något innan du startar sågen. Bara ett ögonblicks uppmärksamhet när du använder sågen kan leda till att kläder eller delar av kroppen kommer i kontakt med kedjan.
- ◆ **Håll alltid kedjesågen med din högra hand på det bakre handtaget och din vänstra hand på det främre handtaget.** Om du håller sågen tvärtom ökar risken för personskada, så håll den aldrig på det viset.
- ◆ **Använd skyddsglasögon och hörselskydd. Ytterligare skyddsutrustning för huvud, händer, ben och fötter rekommenderas.** Lämpliga skyddskläder minskar personskador till följd av flygande avfall eller oavsiktlig kontakt med sågens kedja.
- ◆ **Använd inte sågen uppe i träd.** Användning av en kedjesåg uppe i träd kan orsaka personskada.
- ◆ **Se alltid till att ha ordentligt fötöfaste och att du står på ett stadigt, säkert och jämnt underlag när du använder sågen.** Hala eller instabila underlag som t.ex. stegar kan få dig att tappa balansen eller kontrollen över sågen.
- ◆ **Var uppmärksam på att en spänd gren som sågas av kan fjädra tillbaka.** När spänningen i träfibren släpper, kan den fjädrande grenen träffa den som sågar och/eller slå sågen ur händerna.
- ◆ **lakta stor försiktighet vid kapning av buskar och unga träd.** Tunna grenar kan fastna i kedjan och slå tillbaka mot dig eller få dig att tappa balansen.
- ◆ **Bär kedjesågen i det främre handtaget och se till att den är avstängd och att kedjan inte kommer i kontakt med kroppen. Se alltid till att svärdsyddet är på under transport eller förvaring.** Om sågen hanteras på rätt sätt, minskas risken för oavsiktlig kontakt med kedjan när den är i rörelse.
- ◆ **Följ anvisningarna för smörjning, kedjespänning och byte av tillhör.** En felaktigt spänd eller smord kedja kan gå av eller medföra ökad risk för kast.
- ◆ **Håll handtagen torra, rena och fria från olja och fett.** Fettiga, oljiga handtag är hala och kan göra verktyget svårhanterligt.

- ◆ **Såga endast i trä. Använd inte sågen till annat än den är avsedd för. Till exempel: Använd den inte till att såga plast, murverk eller byggmaterial som inte är av trä.**

Användning av sågen på annat sätt än det avsedda kan framkalla fara.

Orsaker till kast och hur dessa förebyggs av användaren:

Kast kan uppstå om svärdets nos eller spets kommer i kontakt med ett föremål, eller om träet sluter sig och nyper kedjan i skåran.

Spetskontakt kan i vissa fall orsaka en plötslig omvänd reaktion så att svärdet slås uppåt och bakåt mot användaren.

Om kedjan nyps längs svärdets översida kan svärdet hastigt slungas bakåt mot användaren.

Båda dessa reaktioner kan få dig att tappa kontrollen över sågen, vilket kan leda till allvarlig personskada. Förlita dig inte enbart på sågens inbyggda säkerhetsanordningar. Du bör vidta flera skyddsåtgärder för att undvika olyckshändelser och skador när du använder sågen.

Kast uppstår till följd av felaktig användning och/eller hantering av sågen. Detta kan undvikas genom de skyddsåtgärder som beskrivs nedan:

- ◆ **Se till att du har ett fast grepp med tummarna och fingrarna ordentligt omslutna om handtagen. Håll sågen med båda händerna och inta en kropps- och armställning så att du kan stå emot kraften från eventuella kast.** Kraften i kast kan bemästras av användaren om tillämpliga skyddsåtgärder har vidtagits. Släpp inte sågen.
- ◆ **Sträck dig inte för långt, och såga aldrig ovanför din axelhöjd.** Det minskar risken för oavsiktlig spetskontakt och ger dig bättre kontroll över sågen i oväntade situationer.
- ◆ **Använd endast svärd och kedjor som anges av tillverkaren när du byter ut dem.** Byte till fel svärd eller kedja kan medföra att kedjan går av eller att kast uppstår.
- ◆ **Följ tillverkarens anvisningar för slipning och underhåll av kedjan.** Minskning av riktskärrets djup kan medföra ökat kast.

Säkerhetsrekommendationer för kedjesågen

- ◆ Vi rekommenderar starkt att ovana användare får praktiska instruktioner från en erfaren användare om hur sågen och skyddsutrustningen ska användas. Den inledande övningen bör vara att såga ved på en sågbock eller i en hållare.
- ◆ Vi rekommenderar att bromsen är tillslagen när du bär kedjesågen.
- ◆ Sköt om kedjesågen när den inte är i bruk. Lägg inte undan sågen under längre tid utan att först ta bort kedjan och svärdet, som bör förvaras i olja. Förvara sågens delar på ett torrt och säkert ställe, utom räckhåll för barn.

- ◆ Vi rekommenderar att du tömmer oljebehållaren innan sågen läggs i förvar.
- ◆ Se till att du har ordentligt fotfäste och förbered en flyktväg från fallande träd eller grenar.
- ◆ Använd kilar för att få kontroll över fällningen och för att undvika att svärdet och sågkedjan kläms fast i skåran.
- ◆ Skötsel av kedjan. Kedjan skall vara vass och tätt spänd mot svärdet. Se till att kedjan och svärdet är rena och väl inoljade. Håll handtagen torra, rena och fria från olja och fett.

Kast kan orsakas av:

- ◆ Att man oavsiktligt slår i grenar och andra föremål medan kedjan är i rörelse.
- ◆ Att man stöter på metall, cement eller annat hårt material i närheten av eller inuti träet.
- ◆ Att kedjan är slö eller lös.
- ◆ Att man arbetar ovanför axelhöjd.
- ◆ Bristande uppmärksamhet medan man håller eller styr sågen under arbete.
- ◆ Att man sträcker sig för långt. Se till att du alltid har säkert fotfäste och balans och inte sträcker dig för långt.
- ◆ För inte in sågen i en gammal skåra. Det kan orsaka kast. Börja alltid med ett nytt skär.
- ◆ Vi rekommenderar starkt att du inte använder kedjesågen när du befinner dig uppe i ett träd, på en stege eller på något annat ostadigt underlag. Om du ändå använder sågen under dessa omständigheter, vill vi påpeka att det är mycket farligt.
- ◆ När du kappar en spänd gren, måste du vara beredd på att den kan fjädra upp och träffa dig när spänningen släpper.

Undvik att såga i:

- ◆ Förbehandlat timmer.
- ◆ Marken.
- ◆ Gunnebostängsel, spik m.m.
- ◆ I små buskar och unga träd eftersom tunna grenar kan fastna i kedjan och slå tillbaka mot dig eller få dig att tappa balansen.
- ◆ Använd inte kedjesågen ovanför axelhöjd.
- ◆ Se till att ha någon i närheten (på säkert avstånd) i händelse av olycka.
- ◆ Om du av någon anledning måste röra kedjan, se först till att sågen inte är ansluten till eluttaget.
- ◆ Detta verktyg kan nå en bullernivå över 85 dB(A).
- ◆ Vi rekommenderar därför att du vidtar lämpliga åtgärder för att skydda din hörsel.

Följande varningssymboler finns på sågen:



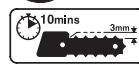
Läs noga igenom hela denna handbok.



Använd inte sågen i väta och utsätt den inte för regn.



Använd alltid skydd för öron och ögon.



Kontrollera kedjespänningen var 10:e minut vid användning. Justera den till ett spelrum på 3 mm.



Dra alltid ur kontakten ur eluttaget innan du undersöker en skadad sladd. Använd aldrig kedjesågen om sladden skulle vara skadad.



Detta verktyg kan nå en bullernivå över 85 dB(A).

Elektrisk säkerhet



Eftersom verktyget är dubbelisolerat behövs ingen jordledare. Kontrollera alltid att nätspänningen överensstämmer med värdet på typskylten.

Ytterligare säkerhetsinstruktioner

- ◆ Ungdomar eller personer med svag hälsa ska inte använda verktyget utan tillsyn. Håll uppsyn över barn så att de inte leker med apparaten.
- ◆ Om nätssladden är skadad måste den för undvikande av fara bytas ut av tillverkaren eller en auktoriserad Black & Decker-verkstad.

Förebygg risken för elektriska stötar.

- ◆ Undvik kroppskontakt med jordade ytor (t.ex. metallrällen, lyktstolpar m.m.). Elsäkerheten kan förbättras ytterligare genom att använda en jordfelsbrytare med hög känslighet (30 mA).

Varning! Även om jordfelsbrytare används, ansvarar användaren av sågen för att säkerhets- och hanteringsanvisningarna i den här handboken följs.

Funktioner

1. Strömbrytare
2. Låsknapp
3. Oljelock
4. Montering av kastskydd och kedjebroms
5. Justeringskruv för kedjespänning
6. Kedja
7. Svärd
8. Kedjeskydd
9. Kedjeskyddsknapp
10. Montering av kedjeskydd
11. Indikator för oljenivå

MONTERING

Oljning av kedjan (fig. A)

Detta måste alltid göras innan du använder en ny kedja (6) för första gången. Ta ut den nya kedjan (6) ur plastförpackningen och lägg den i blöt i kedjeolja i minst en timme innan den används. Använd Black & Decker kedjeolja. Vi rekommenderar att du alltid använder samma sorts olja under kedjans hela livslängd, eftersom en blandning av oljor kan ge oljan försämrade egenskaper, vilket i sin tur kan förkorta kedjans livslängd avsevärt.

Använd aldrig spillolja, tjockolja eller mycket tunn (symaskins-)olja. De kan skada kedjesågen.

Montering av svärd och kedja (fig. A - F)



Varning! Använd alltid skyddshandskar när du hanterar sågen.

- ◆ Lägg sågen på ett stadigt underlag.
- ◆ Lossa och ta bort kedjeskyddsknappen (9) (fig. A).
- ◆ Fäll kastskyddet i läge ① (fig. C).
- ◆ Ta av kedjeskyddet (10).
- ◆ Placera kedjan (6) ovanpå svärdet (7), och se till att kedjeskären på svärdets (7) ovansida är vända framåt (fig. B).
- ◆ För kedjan (6) runt svärdet (7) och dra den så att en ögla bildas åt ena hållet mot svärdets (7) bakre ände.
- ◆ Sätt fast kedjan (6) och svärdet (7) på sågen. Lägg kedjan (6) runt drivhjulet (12). Sätt svärdet (7) på fästet (13). Passa in glidmutterns stift (14) i spänningshållet (15) (fig. E).
- ◆ Se till att kedjebromsen (4) är i låst läge ① innan den sätts tillbaka (fig. C).
- ◆ Sätt fast kedjeskyddet (10) på sågen.
- ◆ Sätt på kedjeskyddsknappen (9) och dra åt den med fingrarna.
- ◆ Vrid justeringskraven för kedjespänning (5) (fig. E) medurs tills kedjan (6) är spänd. Se till att kedjan (6) ligger tätt mot svärdet (7). Spänn inte kedjan för hårt.
- ◆ Dra åt kedjeskyddsknappen (9).

Kontroll och justering av kedjespänning (fig E och G)

- ◆ Kontrollera att kedjan är ordentligt spänd innan du använder den och därefter var 10:e minut under användningen.
 - ◆ Dra lätt i kedjan (6) enligt beskrivningen (infälld fig. G). Kedjan (6) har rätt spänning när den fjädrar tillbaka efter att ha dragits ut 3 mm från svärdet (7). Kedjan (6) skall inte hänga löst från svärdet (7) på undersidan.
- Obs!** Spänn inte kedjan (6) för hårt eftersom det ökar slitaget och minskar svärdets (7) och kedjans (6) livslängd.
- Obs!** När kedjan (6) är ny skall spänningen kontrolleras ofta (efter att sladden dragits ur eluttaget) under de första 2 timmarnas användning eftersom en ny kedja (6) tänjer ut sig något.

Hårdare spänning av kedjan:

- ◆ Vrid justeringskraven för kedjespänning (5a) medurs.

Fylla på oljehållaren (fig. F)

- ◆ Ta av oljelocket (3) och fyll på behållaren med den rekommenderade kedjeoljan. Du kan se oljenivån i oljenivåindikatorn (11). Sätt på oljelocket (3).
- ◆ Stäng av sågen med jämna mellanrum och kontrollera oljenivån i indikatorn (11). Om nivån är under en fjärdedel, dra ur kedjesågens sladd och fyll på med rekommenderad olja.

Automatisk kedjebroms (fig. C)

- ◆ Detta verktyg är utrustat med en automatisk kedjebroms (4), som stoppar kedjan (6) inom 0,15 sek. när man släpper det bakre reglaget, eller när ett kast inträffar. Kedjebromsen (4) skall testas varje gång innan sågen används.

Ställa in kedjebromsen (fig. C)

- ◆ Se till att verktyget inte är anslutet till eluttaget.
- ◆ Dra kastskyddet/kedjebromsen (4) bakåt till läget "löst" markerat ① (fig. C).

Verktyget är nu klart för användning.

Så här fungerar kastskyddets kedjebroms

I händelse av ett kast kommer din vänstra hand i beröring med kastskyddet och stöter det framåt mot arbetsstycket, varvid maskinen stannar inom 0,15 sek.

Så här fungerar den tröghetsaktiverade bromsen

Kastskyddet/kedjebromsen (4) slås till när kastskyddet trycks framåt, antingen manuellt av användarens handrygg, eller av sin egen tyngd. Fördelen med tröghetsbromsen är att den slås till av ett starkt kast, t.ex.: Om kedjan (6) stöter på metall, även om användarens hand inte kommer i kontakt med kastskyddet, dvs. när sågen är i läge för trädfällning.

Så här testas du kastsyddet/kedjebromsen (fig. C)

- ◆ Fatta verktyget i ett fast grepp när det ligger på ett stabilt underlag. Se till att kedjan (6) går fri från underlaget, och starta sågen (se "Start av kedjesågen")
- ◆ Vrid vänster hand framåt runt det främre handtaget så att handryggen kommer i kontakt med kastsyddet (4) och trycker det framåt (fig. C). Sågen (6) skall då stanna inom bråkdelen av en sekund.

Så här återställer du efter att ha slagit till bromsen (4):

- ◆ Följ instruktionerna under "Ställa in kedjebromsen".

Obs! Det går inte att starta verktyget om kastsyddet/kedjebromsen (4) inte är i läget "låst" ①.

Obs! Starta inte om verktyget förrän du hör att motorn har stannat helt.

Obs! Om kedjan (6) inte stannar omedelbart, är det ett tecken på att den behöver spännas (se "Montering av svärd och kedja").

Start av kedjesågen (fig. F)

- ◆ Fatta kedjesågen i ett fast grepp med båda händerna. Tryck låsknappen (2) framåt och tryck på strömbrytaren (1) för att starta.
- ◆ När motorn startar, ta bort tummen från låsknappen (2) och fatta handtaget i ett fast grepp.

Pressa inte sågen – låt den göra arbetet själv.

Verktyget arbetar bättre och säkrare i den hastighet som det är avsett för. Om verktyget pressas kommer kedjan att tänjas ut (6).

Om kedjan (6) eller svärdet (7) skulle fastna:

- ◆ Stanna sågen.
- ◆ Koppla bort den från elnätet.
- ◆ Öppna skåran med kilar för att lätta på trycket på svärdet (7). Försök inte vrida loss sågen. Gör ett nytt skär.

Trädfällning (fig. H – J)

Oerfarna användare skall inte försöka sig på trädfällning. Användaren kan skada sig själv eller egendom till följd av misslyckad fallriktningskontroll. Trädet kan klyva sig, och skadade eller döda grenar kan falla under sågningen.

Säkerhetsavståndet mellan ett träd som ska fällas och personer i närheten, byggnader och andra föremål är minst 2,5 gånger trädets höjd. Personer i närheten, byggnader eller föremål som befinner sig inom säkerhetsavståndet löper risk att träffas av det fallande trädet.

Innan du fäller ett träd:

- ◆ Ta reda på vad som gäller enligt lokala bestämmelser beträffande trädfällning.
- ◆ Överväg alla förhållanden som kan påverka fallriktningen, bland annat:
- ◆ Den tänkta fallriktningen.
- ◆ Trädets naturliga lutning.

- ◆ Alla ovanligt kraftiga eller murkna grenar.
- ◆ Kringstående träd och hinder, bland annat luftledningar.
- ◆ Vindhastighet och -riktning.

Se i förväg ut en nödutväg från nedfallande träd eller grenar. Se till att utvägen är fri från sådant som kan hindra din förflyttning. Tänk på att vått gräs och nyligen avskalad bark är hal.

Försök inte fälla träd vars diameter är större än längden på sågens skärdel.

Gör en riktskåra för att bestämma fallriktningen.

Såga ett vågrätt fällskär i stammen med ett djup på mellan 1/5 och 1/3 av trädets diameter och i rät vinkel med fallinjen (fig. H). Såga det andra skäret ovanifrån så att det möter det första, och gör en skåra med ca. 45° vinkel.

Såga ett vågrätt fällskär från andra sidan 2,5-5 cm ovanför riktskårans mittpunkt. (fig. I). Såga inte igenom till riktskåran, eftersom du då kan förlora kontrollen över fallriktningen.

Kör in en eller flera kilar i det sista skäret för att vidga det och fälla trädet (fig. J)

Beskära träd

Ta reda på vad som gäller enligt lokala bestämmelser beträffande beskärning av träd. Beskärning bör endast utföras av erfarna användare eftersom det föreligger ökad risk för att kedjan nyper och orsakar kast.

Innan beskärningen påbörjas bör de omständigheter som påverkar fallriktningen beaktas, t.ex:

- ◆ Längden och vikten på grenen som skall beskåras.
- ◆ Alla ovanligt kraftiga eller murkna grenar.
- ◆ Kringstående träd och hinder, även ovanför marken.
- ◆ Vindhastighet och -riktning.
- ◆ Om grenen är inflätad med andra grenar.

Användaren måste beakta åtkomsten till grenen och fallriktningen. Trädgrenarna kan röra sig mot trädstammen. Utöver användaren löper även omkringstående personer, föremål och egendom nedanför grenen risk att träffas.

För att undvika klyvning görs det första skäret i riktning uppåt och med ett djup på högst 1/3 av grenens diameter.

Det andra skäret görs nedåt så att det möter det första.

Kapning (fig. K,L, M)

Hur du ska kapa beror på vad stocken vilar på. Om möjligt, använd sågbock. Börja alltid såga med kedjan (6) i gång och med barkstödet (17) liggande mot stocken (fig. K). Avsluta skäret med en vridrörelse med barkstödet mot stocken.

Om stocken vilar på stöd utmed hela sin längd:

- ◆ Gör ett nedåtriktat skär, men undvik att såga i marken eftersom sågen då snabbt förlorar skärpa.

Om stocken vilar på stöd i bägge ändrar:

- ◆ Gör först ett skär nedåt en tredjedel för att undvika klyvning, och sedan ett skär som möter det första.

Om stocken vilar på stöd i ena änden:

- ◆ Gör först ett skär uppåt en tredjedel för att undvika klyvning, och sedan ett skär nedåt.

Med stocken lutande (fig. L):

- ◆ Stå alltid vid den övre änden.

Om du använder sågbock (fig. M):

Om möjligt är detta det bästa sättet.

- ◆ Lägg stocken stadigt. Såga alltid utanför bockens ben. Använd tvingar eller remmar för att hålla stocken på plats.

Om du sågar en stock som ligger på marken bör du använda skruvstycken eller kilar för att hålla den på plats. Försök inte hålla stocken på plats genom att du själv eller någon annan sitter på den. Se till att sågkedjan inte kommer i kontakt med marken.

Underhåll

Regelbundet underhåll ger verktyget en lång effektiv livslängd. Vi rekommenderar att du regelbundet utför följande kontroller.

Oljenivå

Nivån i behållaren bör aldrig understiga en fjärdedel.

Kedja och svärd (fig. G)

- ◆ Efter några timmars användning skall svärdet (7) och kedjan (6) tas av och rengöras grundligt.
- ◆ Vid återmontering skall svärdet (7) vridas 180° och kedjedrevet smörjas i smörjhålet (16). Detta ger en jämn fördelning över hela svärdskanten.

Slipning av kedjan

För att verktyget skall fungera så bra som möjligt är det viktigt att hålla sågtänderna vassa. Anvisningar återfinns på slipsens förpackning. Vi rekommenderar att du köper en slipsats för kedjesågar (finns att köpa hos auktoriserade Black & Decker-verkstäder och -återförsäljare).

Byte av utslitna sågkedjor

Utbyteskedjor finns hos auktoriserade Black & Decker-verkstäder och -återförsäljare. Använd alltid originaldelar.

Kedjans skärpa

Sågtänderna blir genast slöa om de kommer i kontakt med marken eller en spik under sågning.

Kedjespänning

Kontrollera kedjespänningen regelbundet.

Om kedjesågen behöver repareras.

Din kedjesåg uppfyller alla relevanta säkerhetskrav. Reparationer skall utföras av kvalificerade personer som använder originaldelar, annars kan användaren utsättas för stor fara. Behåll den här bruksanvisningen och förvara den så att den inte kommer bort.

Byte av stickkontakt (endast Storbritannien och Irland)

Byt ut kontakten enligt följande:

- ◆ Gör dig av med den gamla kontakten på lämpligt sätt.
- ◆ Anslut den bruna ledningen till den strömförande anslutningen i den nya kontakten.
- ◆ Anslut den blå ledningen till den icke strömförande anslutningen.

Varning! Anslut inte till jordningsanslutningen. Följ monteringsanvisningarna som medföljer kontakter av god kvalitet. Rekommenderad säkring: 10 A.

Miljö



När ditt verktyg är utslit, skydda naturen genom att inte slänga det tillsammans med vanligt avfall. Black & Decker-verkstäder tar emot gamla Black & Decker-verktyg och ser till att de omhändertas på ett miljövänligt sätt.



Insamling av uttjänta produkter och förpackningsmaterial gör att material kan återanvändas. Användning av återvunnet material minskar föroreningar av miljön och behovet av råmaterial.

Lokala föreskrifter kan kräva separat insamling av elprodukter från hushållen, vid kommunala samlingsplatser eller hos återförsäljaren när du köper en ny produkt.

Black & Decker samlar in och återvinner uttjänta Black & Decker-produkter. Om du vill utnyttja denna tjänst återlämnar du produkten till en auktoriserad verkstad, som samlar in den för vår räkning.

För information om närmaste auktoriserade verkstad, kontakta det lokala Black & Decker-kontoret på den adress som är angiven i bruksanvisningen. En lista på alla auktoriserade verkstäder samt servicevillkor finns även tillgängliga på Internet: www.2helpU.com.

Tekniska data

	GK1730	GK1735	GK1740	GK1930	GK1935	GK1940
Spänning (Vac)	230	230	230	230	230	230
Ineffekt (W)	1700	1700	1700	1850	1850	1850
Tomgångshastighet (min ⁻¹)	5500	5500	5500	5500	5500	5500
Max. skår-längd (cm.)	30	35	40	30	35	40
Oljekapacitet (ml.)	100	100	100	100	100	100
Vikt (kg.)	5.55	5.65	5.8	5.6	5.7	5.85
Skyddsklass	II	II	II	II	II	II

Designregistreringsnummer i Europeiska gemenskapen.
000417274-0001

EC-förklaring om överensstämmelse

GK1730; GK1735; GK1740; GK1930; GK1935; GK1940

Black & Decker förklarar att dessa produkter överensstämmer med:

98/37/EC. 89/336/EEC. 73/23/EEC. 2002/96/EC. 2002/95/EC.

EN 50144. EN 55014. EN61000. EN60745

2000/14/EC. Chainsaw _ 1600 w. Annex V

Bullernivå, uppmätt enligt 2000/14/EC:

LpA (bullernivå) 94.2dB(A)

LWA (akustisk effekt) 105.2 dB(A)

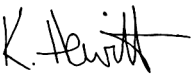
LWA (garanterad) 104 dB(A)

Använd alltid hörselskydd om bullernivån överstiger 85 dB (A).

Det vägda geometriska medelvärdet av vibrationsfrekvensen

enligt EN 60745:

3.5 m/sec²



Kevin Hewitt
Director of Consumer Engineering
Spennymoor, County Durham
DL16 6JG,
Storbritannien
31-10-2006

Garanti

Black & Decker garanterar att produkten är fri från material- och/eller fabriktionsfel vid leverans till kund. Garantin gäller utöver konsumentens rättigheter enligt lag och påverkar inte dessa. Garantin gäller inom medlemsstaterna i Europeiska Unionen och i det Europeiska Frihandelsområdet.

Om en Black & Decker-produkt blir defekt på grund av material- och/eller fabriktionsfel eller brister i överensstämmelse med specifikationen inom 24 månader från köpet, åtar sig Black & Decker att reparera eller byta ut produkten med minsta besvär för kunden, såvida inte:

- ◆ Produkten har använts i kommersiellt, yrkesmässigt eller uthyringssyfte.
- ◆ Produkten har utsatts för felaktig användning eller skötsel.
- ◆ Produkten har skadats av främmande föremål, ämnen eller genom olyckshändelse.
- ◆ Reparation har utförts av någon annan än en auktoriserad Black & Decker-verkstad.

För att utnyttja garantin skall produkten och inköpskvittot lämnas till återförsäljaren eller till en auktoriserad verkstad senast 2 månader efter det att felet har upptäckts.

För information om närmaste auktoriserade verkstad, kontakta det lokala Black & Decker-kontoret på den adress som anges i bruksanvisningen. En förteckning över alla auktoriserade verkstäder samt servicevillkor finns även tillgängliga på Internet: **www.2helpU.com**

Besök vår webbplats **www.blackanddecker.se** för att registrera din nya Black & Decker-produkt samt för att erhålla information om nya produkter och specialerbjudanden. Vidare information om märket Black & Decker och vårt produktsortiment finns på **www.blackanddecker.se**.

Bruksområde

Din Black & Decker-kjedesag er konstruert for beskjæring og felling av trær og oppdeling av stokker. Verktøyet er kun beregnet på bruk i hjemmet.

Generelle sikkerhetsforskrifter

Advarsel! Les gjennom alle anvisningene. Hvis anvisningene nedenfor ikke overholdes, kan det medføre elektrisk støt, brann og/eller alvorlige skader. Uttrykket "elektroverktøy" i alle advarslene nedenfor gjelder for strømndrevne elektroverktøy (med ledning) og batteridrevne elektroverktøy (uten ledning).

TA GODT VARE PÅ DISSE ANVISNINGENE.

1. Arbeidsområdet

- Hold arbeidsområdet rent og godt opplyst.** Rotete arbeidsområder og arbeidsområder uten lys kan føre til ulykker.
- Ikke arbeid med elektroverktøy i eksplosjonsfarlige omgivelser – der det befinner seg brennbare væsker, gass eller støv.** Elektroverktøy forårsaker gnister som kan antenne støv eller damper.
- Hold barn og andre personer unna når elektroverktøyet brukes.** Hvis du blir forstyrret under arbeidet, kan du miste kontrollen.

2. Elektrisk sikkerhet

- Støpset til elektroverktøyet må passe inn i stikkkontakten. Støpset må ikke forandres på noen som helst måte. Ikke bruk adapterstøpsler sammen med jordede elektroverktøy.** Bruk av originale støpsler og passende stikkontakter reduserer risikoen for elektrisk støt.
- Unngå kroppskontakt med jordede overflater som rør, radiatorer, komfyrer og kjøleskap.** Det er større fare for elektrisk støt dersom kroppen din er jordet.
- Hold elektroverktøy unna regn eller fuktighet.** Dersom det kommer vann i et elektroverktøy, øker faren for elektrisk støt.
- Unngå uforsvarlig behandling av ledningen. Elektroverktøyet må aldri bæres eller trekkes etter ledningen, og trekk heller ikke ut støpset ved å rykke i ledningen. Hold ledningen unna varme, olje, skarpe kanter eller bevegelige deler.** Med skadde eller sammenflokede ledninger øker risikoen for elektrisk støt.
- Når du arbeider utendørs med et elektroverktøy, må du kun bruke en skjøteledning som er godkjent til utendørs bruk.** Ved å bruke en skjøteledning som er egnet for utendørs bruk, reduseres risikoen for elektrisk støt.

3. Personikkerhet

- Vær oppmerksom, pass på hva du gjør, og vis fornuft når du arbeider med et elektroverktøy. Ikke bruk elektroverktøy når du er trett eller er påvirket av narkotika, alkohol eller medikamenter.** Et øyeblikks uoppmerksomhet under bruk av verktøyet kan føre til alvorlige personskader.
 - Bruk personlig verneutstyr. Bruk alltid vernebriller.** Bruk av personlig verneutstyr, for eksempel støvmaske, skliskire vernesko, hjelm eller hørselvern som passer til forholdene, reduserer risikoen for personskader.
 - Unngå utilsiktet start av elektroverktøyet. Påse at bryteren er i av-stilling før verktøyet kobles til.** Det kan oppstå ulykker hvis du bærer elektroverktøyet med fingeren på bryteren, eller kobler til verktøyet når bryteren ikke er i av-stilling.
 - Fjern innstillingsverktøy eller skrunøkler før du slår på elektroverktøyet.** Et verktøy eller en nøkkel som befinner seg i en roterende del, kan forårsake personskade.
 - Ikke strekk deg for langt. Pass på at du alltid har sikkert fotfeste og god balanse.** Da kan du kontrollere elektroverktøyet bedre i uventede situasjoner.
 - Bruk alltid egnede klær. Ikke bruk løstsittende klær eller smykker. Hold hår, klær og hansker unna bevegelige deler.** Løstsittende klær, smykker eller langt hår kan komme inn i bevegelige deler.
 - Hvis det kan monteres støvavsug- og oppsamlingsinnretninger, må du forvise deg om at disse er tilkoblet og brukes på riktig måte.** Bruk av disse innretningene reduserer faren i forbindelse med støv.
- #### 4. Aktsom håndtering og bruk av elektroverktøy
- Ikke bruk makt på elektroverktøyet. Bruk et elektroverktøy som er beregnet på den type arbeid du vil utføre.** Med et passende elektroverktøy arbeider du bedre og sikrere i det angitte effektområdet.
 - Ikke bruk elektroverktøy med defekt strømbryter.** Et elektroverktøy som ikke kan kontrolleres med bryteren, er farlig og må repareres.
 - Trekk støpset ut av stikkkontakten før du utfører innstillinger på elektroverktøyet, skifter tilbehørsdeler eller legger elektroverktøyet bort.** Disse tiltakene reduserer risikoen for en utilsiktet start av elektroverktøyet.
 - Elektroverktøy som ikke er i bruk, må oppbevares utilgjengelig for barn. Ikke la verktøyet brukes av personer som ikke er fortrolig med det, eller som ikke har lest denne bruksanvisningen.** Elektroverktøy er farlige når de brukes av uerfarne personer.

- e. **Vær nøye med vedlikehold av elektroverktøy. Kontroller at bevegelige deler fungerer feilfritt og ikke klemmes fast, om deler er brukt eller skadet, og andre forhold som kan innvirke på elektroverktøyetys funksjon. Hvis elektroverktøyet er skadet, må det repareres før bruk.** Dårlig vedlikeholdte elektroverktøy er årsaken til mange uhell.
- f. **Hold skjæreverktøy skarpe og rene.** Godt vedlikeholdte skjæreverktøy med skarpe egger setter seg ikke så ofte fast og er lettere å føre.
- g. **Bruk elektroverktøy, tilbehør, borkroner osv. i henhold til disse anvisningene og slik det er foreskrevet for denne spesielle verktøytypen. Ta hensyn til arbeidsforholdene og arbeidet som skal utføres.** Bruk av elektroverktøy til andre formål enn det som er angitt, kan føre til farlige situasjoner.

5. Service

- a. **Elektroverktøy skal alltid repareres av kvalifisert personell og kun med originale reservedeler.** Dette sikrer at elektroverktøyetys sikkerhet opprettholdes.

Ekstra sikkerhetsinstruksjoner for kjedesagen

- ◆ **Hold alle deler av kroppen unna kjedet mens kjedesagen er i bruk. Før du starter kjedesagen, må du passe på at sagkjedet ikke er i kontakt med noe.** Et øyeblikks uoppmerksomhet under bruk av kjedesagen kan føre til at klesplagg eller kroppsdeler vikles inn i eller på annen måte kommer i utilsikket kontakt med kjedesagen.
- ◆ **Hold alltid kjedesagen med høyre hånd på bakre håndtak og venstre hånd på fremre håndtak.** Hvis kjedesagen holdes på motsatt måte, øker risikoen for personskade. Hold derfor alltid kjedesagen som anbefalt.
- ◆ **Bruk vernebriller og hørselvern. Annet personlig verneutstyr for hode, hender, bein og føtter anbefales.** Passende verneutstyr vil redusere faren for personskade som følge av materiale som slynges gjennom luften, eller utilsikket kontakt med sagkjedet.
- ◆ **En kjedesag må ikke brukes i et tre.** Bruk av kjedesag mens brukeren står eller sitter i et tre, kan føre til personskade.
- ◆ **Pass på at du alltid har sikkert fotfeste, og bruk kjedesagen bare når du står på et fast, sikkert og plant underlag.** Glatte eller ustabile underlag, slik som stiger, kan føre til at man mister balansen og kontrollen over kjedesagen.
- ◆ **Når du kutter en gren som står i spenn, må du være oppmerksom på at den kan slå mot deg.** Når spennet i trefibrene frigjøres, kan grenen treffe operatøren og/eller slå kjedesagen ut av kontroll.
- ◆ **Vær svært forsiktig ved kutting av kratt og busker.** Kvister og lignende kan komme inn i kjedet og bli slengt mot deg eller gjøre at du mister balansen.

- ◆ **Kjedesagen bæres etter fronthåndtaket, og skal være slått av og vendt bort fra kroppen. Ved transport eller oppbevaring av kjedesagen skal dekslet for sverdet alltid være påmontert.** Riktig håndtering av kjedesagen vil gi redusert sannsynlighet for utilsikket kontakt med sagkjedet i bevegelse.
- ◆ **Følg anvisningene for smøring, kjedespenning og utskifting av tilbehør.** Et kjede som ikke er spent eller smurt på riktig måte, kan gå i stykker eller øke faren for tilbakeslag.
- ◆ **Hold håndtakene tørre, rene og fri for olje og fett.** Fete, oljete håndtak er glatte og gir dårlig kontroll.
- ◆ **Kutt bare i tre. Ikke bruk kjedesagen til oppgaver den ikke er beregnet for. Eksempler: Ikke bruk kjedesagen til å kutte plast, murverk eller byggematerialer som ikke er av tre.** Bruk av kjedesagen til andre formål enn det som er angitt, kan føre til farlige situasjoner.

Årsaker til tilbakeslag og hvordan operatøren forhindrer dette:

Tilbakeslag kan forekomme når spissen på sverdet kommer i kontakt med en gjenstand, eller når treverket "lukker seg" og kniper fast sagkjedet.

Når spissen kommer i kontakt med en gjenstand, kan det plutselig oppstå en motsatt reaksjon, som fører til at sverdet slås opp og bakover mot operatøren.

Hvis kjedet knipes fast langs øvre kant av sverdet, kan sverdet bli skjøvet fort bakover mot operatøren.

Begge disse reaksjonene kan føre til at du mister kontrollen over kjedesagen, slik at det oppstår alvorlig personskade. Ikke stol blindt på kjedesagens innebygde sikkerhetsinnretninger. Som bruker er det ditt ansvar å ta nødvendige forholdsregler for å unngå uhell og skader.

Tilbakeslag er et resultat av feil bruk av verktøyet og/eller feil brukerprosedyrer eller forhold, og kan unngås ved å ta riktige forholdsregler som forklart nedenfor.

- ◆ **Sørg for at du holder godt fast i sagen, med tommel og finger rundt håndtakene. Hold saken med begge hender, og stå med kroppen og armene slik at du kan motstå tilbakeslagskrefter.** Tilbakeslagskrefter kan beherskes av operatøren hvis riktige forholdsregler tas. Ikke slipp tak i kjedesagen.
- ◆ **Ikke strekk deg for langt, og ikke bruk saken over skulderhøyde.** På denne måten kan du unngå utilsikket kontakt mellom spissen og gjenstander, og få bedre kontroll over kjedesagen i uventede situasjoner.
- ◆ **Bruk bare erstatningsskinner og -kjeder som produsenten har angitt.** Bruk av feil erstatningsskinner og -kjeder kan føre til kjedebrudd og/eller tilbakeslag.

- ◆ **Følg produsentens anvisninger for sliping og vedlikehold av sagkjedet.** Lavere dybdemålerhøyde kan føre til mer tilbakeslag.

Anbefalte sikkerhetstiltak for kjedesagen

- ◆ Vi anbefaler på det sterkeste at personer som bruker kjedesag for første gang, får praktisk veiledning i bruk av sagen og personlig verneutstyr fra en erfaren bruker. Øvelsen bør bestå i å sage ved på en sagkrakk eller en annen form for holder.
- ◆ Vi anbefaler at kjedebremsen er aktivert ved bæring av kjedesagen.
- ◆ Hold kjedesagen i god stand når den ikke er i bruk. Ikke oppbevar kjedesagen i lang tid uten først å fjerne kjedet og sverdet, som skal oppbevares nedsenket i olje. Lagre alle kjedesagdelene på et tørt og sikkert sted utilgjengelig for barn.
- ◆ Vi anbefaler også å tappe oljen ut av oljetanken før sagen settes til oppbevaring.
- ◆ Sørg for å ha godt fotfeste, og ha alltid planlagt en sikker vei vekk fra stedet i tilfelle av fallende trær eller grener.
- ◆ Bruk kiler for å kontrollere bevegelsen til treet og forhindre at kjedet og sverdet blokkeres i treet.
- ◆ Vedlikehold av kjedet. Hold kjedet skarpt, og sørg for at det sitter stramt rundt sverdet. Sørg for at kjedet og sverdet er rent og godt smurt med olje. Hold håndtakene tørre, rene og fri for olje og fett.

Tilbakeslag kan forårsakes av:

- ◆ At du utilsiktet kommer borti grener eller andre gjenstander med spissen av sagen mens kjedet er i bevegelse.
- ◆ At du kommer borti metall, sement eller annet hardt materiale i nærheten av trevirket, eller som er skjult i trevirket.
- ◆ Et sløvt eller løst kjede.
- ◆ At du sager over skulderhøyde.
- ◆ At du ikke er oppmerksom nok når du holder i eller fører kjedesagen under saging.
- ◆ At du strekker deg for langt. Pass på at du alltid har sikkert fotfeste og god balanse, og ikke strekk deg for langt.
- ◆ Ikke sett sagen inn i et tidligere laget kutt. Det kan føre til tilbakeslag. Lag et nytt kutt hver gang.
- ◆ Vi anbefaler på det sterkeste at du ikke bruker kjedesagen mens du står i et tre, på en stige eller på andre ustabile underlag. Hvis du likevel bestemmer deg for dette, må du være oppmerksom på at slike stillinger er ekstremt farlige.
- ◆ Når du sager en gren som er spent, må du være oppmerksom på at den kan kastes tilbake, slik at den ikke slår borti deg når spenningen forsvinner.

Unngå å sage:

- ◆ Bearbeidet tømmer.
- ◆ I bakken.
- ◆ I ståltrådgjerder, spiker osv.
- ◆ I kratt og busker, fordi kvister og lignende kan komme inn i kjedet og slenges mot deg eller gjøre at du mister balansen.
- ◆ Ikke bruk kjedesagen over skulderhøyde.
- ◆ Pass på at det er noen andre i nærheten (men på sikker avstand) i tilfelle uhell.
- ◆ Hvis du av en eller annen grunn må berøre sagkjedet, må du først kontrollere at kjedesagen er koblet fra strømforsyningen.
- ◆ Støyen fra dette produktet kan overskride 85 dB(A).
- ◆ Vi anbefaler derfor at du bruker egnert hørselvern.

Du finner følgende advarselssymboler på verktøyet:



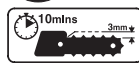
Les hele denne bruksanvisningen grundig.



Ikke bruk sagen i våte omgivelser, ikke la den utsettes for regn.



Bruk alltid vernebriller og hørselvern.



Kontroller kjedespenntet hvert tiende minutt. Juster det tilbake til en klaring på 3 mm.



Trekk alltid støpselet ut av kontakten før du inspisierer en ødelagt ledning. Bruk aldri kjedesagen hvis ledningen er skadet.



Støyen fra dette produktet kan overskride 85 dB(A).

Elektrisk sikkerhet



Dette apparatet er ikke dobbeltisolert. Jording er derfor ikke nødvendig. Kontroller at spenningen er i overensstemmelse med spenningen på typeskiltet.

Ekstra sikkerhetsinstruksjoner

- ◆ Dette apparatet er ikke beregnet for bruk av unge eller uerfarne personer uten tilsyn. Barn må ha tilsyn for å sikre at de ikke leker med apparatet.
- ◆ Hvis strømledningen blir skadet, må den skiftes av produsenten eller et autorisert Black & Decker-servicesenter for å unngå fare.

Vern mot elektrisk støt.

- ◆ Unngå å komme i kontakt med jordede overflater (f.eks. metallrekkverk, lyktestolper osv.). Strømsikkerheten kan forbedres ytterligere ved bruk av jordfeilbryter med høy følsomhet (30 mA/30 mS).

Advarsel! Bruk av jordfeilbryter eller annen overbelastningsbryter fritar ikke operatøren av kjedesagen for å følge sikkerhetsinstruksene og anbefalingene om arbeidsmetoder i denne bruksanvisningen.

Funksjoner

1. Strømbryter
2. Låseknapp
3. Oljelokk
4. Kastbeskyttelse og kjedebremse
5. Justeringsskrue for kjedespenning
6. Kjede
7. Sverd
8. Sverdbeskyttelse
9. Kjededekselknott
10. Kjededekselenhet
11. Indikator for oljenivå

MONTERING

Olje kjedet (fig. A)

Du må alltid olje et nytt kjede (6) før du bruker det for første gang. Ta det nye kjedet (6) ut av plastposen, og legg det i kjedeolje i minst en time før du bruker det. Bruk Black & Decker-kjedeolje.

Vi anbefaler at du bare bruker ett oljemerke i hele levetiden til kjedesagen. Blanding av ulike oljer kan føre til at oljen får dårligere egenskaper, noe som kan forkorte kjedesagens levetid betydelig.

Bruk aldri spillolje, tykttflytende olje eller svært tyntflytende symaskinolje. Dette kan skade kjedesagen.

Montere sverdet og kjedet (fig. A-F)



Advarsel! Bruk alltid vernehansker ved arbeid på kjedesagen.

- ◆ Legg kjedesagen på en stabil overflate.
- ◆ Løsne og fjern kjededekselknotten (9) (fig. A).
- ◆ Sett kastbeskyttelsen i stilling ① (fig. C).
- ◆ Ta bort kjededekselenheten (10).
- ◆ Legg kjedet (6) over sverdet (7). Pass på at sagkjedespissene på øvre del av sverdet (7) vender forover (fig. B).
- ◆ Før kjedet (6) rundt sverdet (7), og legg det rundt bakre enden av sverdet (7) til den ene siden, så det ligger skikkelig på plass.

- ◆ Sett kjedet (6) og sverdet (7) på kjedesagen. Før kjedet (6) rundt drivhullet (12). Sett sverdet (7) på boltene (13). Pass på at den stillbare muttertappen (14) kommer inn i spenningshullet (15) (fig. E).
- ◆ Pass på at kjedebremsehøden (4) er i fast posisjon ① før den settes på igjen (fig. C).
- ◆ Sett kjededekselenheten (10) på kjedesagen.
- ◆ Sett på kjededekselknotten (9), og stram den manuelt.
- ◆ Drei justeringsskruen for kjedespenning (5) (fig. E) mot høyre til kjedet (6) er stramt. Pass på at kjedet (6) sitter stramt rundt sverdet (7). Ikke stram for mye.
- ◆ Trekk til kjededekselknotten (9).

Kontrollere og justere kjedespenning (fig. E og G)

- ◆ Før bruk og hvert 10. minutt under bruk må du sjekke at kjedet er skikkelig spent.
- ◆ Trekk lett i kjedet (6) som vist (innfelt fig. G). Spenningen er riktig når kjedet (6) spretter tilbake etter at det trekkes 3 mm fra sverdet (7). Det skal ikke være noe "sig" mellom sverdet (7) og kjedet (6) på undersiden.

Merk: Ikke stram til kjedet (6) for mye. Dette vil føre til uforholdsmessig stor slitasje og redusere levetiden til sverdet (7) og kjedet (6).

Merk: Når kjedet (6) er nytt, må du kontrollere spenningen ofte (sagen må alltid først kobles fra strømforsyningen) i løpet av de første to timene du bruker den, siden et nytt kjede (6) strekker seg noe.

Øke spenningen:

- ◆ Drei justeringsskruen for kjedespenning (5a) mot høyre.

Fylle oljetanken (fig. F)

- ◆ Fjern oljelokket (3), og fyll oljetanken med anbefalt kjedeolje. Du kan se oljenivået på indikatoren for oljenivå (11). Sett på plass oljelokket (3) igjen.
- ◆ Slå av apparatet og kontroller indikatoren for oljenivå (11) regelmessig; hvis tanken er mindre enn 25 % full, kobler du kjedesagen fra strømforsyningen og fyller på til riktig nivå.

Automatisk kjedebremse (fig. C)

- ◆ Dette verktøyet er utstyrt med en automatisk kjedebremsehøden (4), som vil stoppe kjedet (6) innen 0,15 sek. når du slipper den bakre bryteren eller det forekommer tilbakeslag. Kjedebremsehøden (4) bør testes før hver bruk.

Stille inn kjedebremsen (fig. C)

- ◆ Sjekk at verktøyet er koblet fra strømforsyningen.
- ◆ Dra kastbeskyttelsen/kjedebremsehøden (4) tilbake til angitt "låst" posisjon ① (fig. C).

Verktøyet er nå klart til bruk.

Kastbeskyttelsens funksjon

I tilfelle av tilbakeslag kommer din venstre hånd i kontakt med frontvernet, skyver det forover, mot arbeidsemnet, og stopper verktøyet innen 0,15 sek.

KjedebremSENS funksjon

Kastbeskyttelsen/kjedebremsehøten (4) aktiveres når frontvernet skyves forover, enten manuelt, med brukerens håndbak, eller med egen vekt. Fordelen med kjedebremsen er at den aktiveres av et stort tilbakeslag, for eksempel Når kjedet (6) treffer metall, selv om brukerens hånd ikke er i kontakt med kastbeskyttelsen, det vil si når sagen er i felleposisjon.

Test av kastbeskyttelsen (fig. C)

- ◆ Hold verktøyet fast med begge hender på et fast underlag. Kontroller at sagkjedet (6) går klar av bakken, og slå på sagen (se "Start av kjedesagen").
- ◆ Drei venstre hånd forover rundt fronthåndtaket slik at håndbaken kommer i kontakt med kastbeskyttelsen/kjedebremsehøten (4) og skyver den forover, mot arbeidsemnet (fig. C). Sagkjedet (6) skal nå stoppe innen noen brøkdeler av et sekund.

Tilbakestille etter bruk av kastbeskyttelsen/kjedebremsehøten (4):

- ◆ Følg instruksjonene i "Stille inn kjedebremsen".

Merk: Det vil ikke være mulig å slå på verktøyet hvis kastbeskyttelsen/kjedebremsehøten (4) ikke er i "låst" posisjon ①.

Merk: Unngå å starte opp verktøyet igjen før du hører at motoren har stoppet helt.

Merk: Hvis sagkjedet (6) ikke stopper umiddelbart, angir dette at det må strammes (se "Montere sverdet og kjedet").

Slå på verktøyet (fig. F)

- ◆ Ta godt tak i kjedesagen med begge hender. Skyv låseknappen (2) forover og trykk deretter på strømbryteren (1).
- ◆ Når motoren starter, tar du tommelen bort fra låseknappen (2) og tar godt tak i håndtaket.

Ikke bruk kraft på verktøyet – la det gjøre arbeidet.

Det vil gjøre en bedre og sikrere jobb når du bruker den hastigheten det er beregnet for. For mye kraft vil føre til at sagkjedet (6) strekkes.

Hvis sagkjedet (6) eller sverdet (7) setter seg fast:

- ◆ Slå av verktøyet.
- ◆ Ta kontakten ut av strømforsyningen.
- ◆ Åpne kuttet med kiler for å lette belastningen på sverdet (7). Ikke forsøk å rykke kjedesagen løs. Start en ny kutting.

Felling (fig. H–J)

Uerfarne brukere bør ikke prøve å felle trær. Det kan oppstå skade på person eller eiendom som følge av manglende evne til å styre fallet i riktig retning, og treet kan splittes, eller skadede/døde grener kan falle ned under sagingen.

Den sikre avstanden mellom et tre som skal felles og personer på bakken, bygninger og andre objekter, er minst to og en halv gang høyden av treet. Tilskuere, bygninger eller objekter som befinner seg nærmere enn denne avstanden, vil kunne bli truffet av treet når det faller.

Før forsøk på felling av et tre:

- ◆ Undersøk at det ikke er noen lokale lover eller bestemmelser som forbyr eller styrer trefelling.
- ◆ Vurder alle forhold som kan påvirke fallretningen, inklusive:
- ◆ Den tiltenkte fallretningen.
- ◆ Den naturlige hellingen til treet.
- ◆ Eventuelle uvanlige og tunge grenstrukturer eller forrånelse.
- ◆ Trær i nærheten og andre hindringer, inkludert kabler eller ledninger i luften og underjordiske avløp.
- ◆ Vindstyrke og -retning.

Før felling av trær må du planlegge en sikker vei bort fra det fallende treet eller grenene. Kontroller at det ikke er hindringer i veien som kan føre til at du ikke kommer deg unna. Husk at vått gress og nyskåret bark er glatt.

Forsøk ikke å felle trær med diameter som er større enn kjedesagens sagelengde.

Et hakk lages for å angi fallretningen.

Et horisontalt kutt lages inn til en dybde på mellom 1/5 og 1/3 av trets diameter, i rett vinkel mot falllinjen ved trets fot (fig. H). Det andre kuttet lages ovenfra, slik at det krysser det første, og slik at det dannes et hakk på ca. 45°.

Lag et enkelt horisontalt kutt fra den andre siden, 2,5–5 cm over retningshakkets midtpunkt. (fig. I). Ikke skjær helt gjennom til retningshakk, da det kan føre til at du mister kontrollen over fallretningen.

Driv en eller flere kiler inn i dette kuttet for å åpne det og få treet til å falle (fig. J).

Beskjæring av trær

Undersøk at det ikke er noen lokale lover eller bestemmelser som forbyr eller styrer beskjæring av tregrener. Beskjæring bør bare utføres av erfarne brukere, da det er økt fare for fastklemning av kjedet og tilbakeslag.

Før beskjæringen starter, er det viktig å vurdere forhold som kan få innvirkning på fallretningen, for eksempel:

- ◆ Lengden og vekten av den grenen som skal sages av.
- ◆ Eventuelle uvanlige og tunge grenstrukturer eller forrånelse.

- ◆ Trær i nærheten og andre hindringer, også i luften.
- ◆ Vindstyrke og -retning.
- ◆ Om grenen er tvunnet sammen med andre grener.

Operatøren må vurdere tilgangen til tregrenen og fallretningen. Grenen vil kunne falle inn mot trestammen. I tillegg til brukeren vil tilskuere, gjenstander og eiendeler under grenen kunne bli utsatt for skade.

For å unngå oppflising lages det første kuttet oppover, inn til en maksimumsdybde på en tredjedel av grenens diameter. Det andre kuttet lages nedover og slik at det treffer det første.

Kløyving (fig. K, L og M)

Hvordan du skal kutte, avhenger av hvordan trevirket er støttet opp. Bruk en sagkrakk når dette er mulig. Start alltid sagingen med sagkjedet (6) i gang og med barkstøtten (17) i kontakt med treet (fig. K). For å fullføre kuttet vipper du barkstøtten mot treet.

Når støttet langs hele lengden:

- ◆ Lag et kutt nedover, men unngå å sage i jorden, ettersom det vil føre til at sagkjedet blir sløvt veldig fort.

Når støttet i begge ender:

- ◆ Først kutter du en tredjedel nedover for å unngå oppsplintring, og deretter kutter du igjen for å møte det første kuttet.

Når støttet i én ende:

- ◆ Først kutter du en tredjedel opp for å unngå oppsplintring, og deretter kutter du ned for å unngå oppsplintring.

I en helling (fig. L):

- ◆ Stå alltid på oversiden.

Ved bruk av sagkrakk (fig. M):

Om mulig er dette den beste måten.

- ◆ Plasser trevirket i en stabil posisjon. Kutt alltid på utsiden av sagkrakkarmene. Bruk skruetvinger eller stropper for å sikre arbeidsemnet.

Ved saging av trevirke på bakken sikres arbeidsemnet ved hjelp av klosser eller kiler. Brukeren eller en tilskuer må ikke holde trevirket fast ved å sitte eller stå på det. Se til at sagkjedet ikke kommer i kontakt med bakken.

Vedlikehold

Regelmessig vedlikehold sikrer lang og effektiv levetid for verktøyet. Vi anbefaler at du foretar følgende sjekker regelmessig:

Oljenivå

Oljetanken må alltid være minst 25 % full.

Sagkjede og sverd (fig. G)

- ◆ Etter noen timers bruk bør sverdet (7) og sagkjedet (6) tas av og rengjøres grundig.
- ◆ Ved remontering skal sverdet (7) vris 180° og kjededrevet smøres i smøringshullet (16). Dette sikrer jevn fordeling over hele sverdkanten.

Slipe kjedet

Hvis du vil ha best mulig ytelse fra verktøyet, er det viktig å holde kjedetenene skarpe. Du finner mer informasjon om dette i slipesettet. For dette anbefaler vi at du kjøper Black & Deckers slipesett for kjedesager (fås hos autoriserte Black & Decker-serviceverksteder og forhandlere).

Skifte ut slitte sagkjeder

Nye sagkjeder kan fås hos forhandlere og autoriserte Black & Decker-serviceverksteder. Bruk alltid originale reservedeler.

Kjedeskarpheit

Sagetennene på kjedet vil bli sløve med en gang hvis de berører bakken eller en spiker under bruk.

Sagkjedespenn

Sjekk sagkjedespenningen regelmessig.

Hva som skal gjøres hvis kjedesagen må repareres.

Denne kjedesagen oppfyller relevante sikkerhetskrav. Reparasjoner må bare utføres av autoriserte Black & Decker-serviceverksteder som benytter originale reservedeler, ellers kan det være farlig å bruke utstyret. Vi anbefaler at du oppbevarer denne bruksanvisningen på et sikkert sted.

Skifte nettplugg (bare Storbritannia og Irland)

Hvis ny nettplugg må settes på:

- ◆ Deponer den gamle pluggen på miljøvennlig måte.
- ◆ Koble den brune ledningen til det strømførende tilkoblingspunktet i den nye pluggen.
- ◆ Koble den blå ledningen til nullpunkt-klemmen.

Advarsel! Det skal ikke kobles til jordkontakten. Følg monteringsinstruksene som følger med kvalitetspluggen. Anbefalt sikring: 10 A.

Miljø



Når verktøyet er utslitt, bør det kasseres på en miljøvennlig måte. Black & Decker-serviceverkstedene tar i mot gamle Black & Decker-verktøy og kasserer dem på en miljømessig forsvarlig måte.



Hvis brukte produkter og emballasje leveres atskilt, kan materialer resirkuleres og brukes på nytt. Resirkulering av brukte produkter gir redusert miljøforurensning og mindre behov for råmaterialer.

Det kan være lokale bestemmelser for egen innsamling av elektriske produkter fra husstander, på kommunale avfallsplasser eller hos forhandleren når du kjøper et nytt produkt.

Black & Decker tar i mot brukte Black & Decker-produkter for resirkulering. Du kan levere produktet til et autorisert serviceverksted.

Du kan finne nærmeste autoriserte serviceverksted ved å kontakte ditt lokale Black & Decker-kontor på adressen som er oppgitt i denne brukerhåndboken. Det finnes også en liste over autoriserte Black & Decker-serviceverksteder og opplysninger om ettersalgsservice og kontakter på Internett: www.2helpU.com.

Tekniske data

	GK1730	GK1735	GK1740	GK1930	GK1935	GK1940
Spenning (Vac)	230	230	230	230	230	230
Inn-effekt (W)	1700	1700	1700	1850	1850	1850
Ubelastet hastighet (min ⁻¹)	5500	5500	5500	5500	5500	5500
Maks. sa-gelengde (cm)	30	35	40	30	35	40
Oljekapasitet (ml)	100	100	100	100	100	100
Vekt (kg)	5,55	5,65	5,8	5,6	5,7	5,85
Sikkerhetsklasse	II	II	II	II	II	II

Konstruksjonsregistreringsnummer (EU)
000417274-0001

Samsvarserklæring for EU

GK1730; GK1735; GK1740; GK1930; GK1935; GK1940
Black & Decker erklærer at disse produktene overholder: 98/37/EF, 89/336/EØF, 73/23/EØF, 2002/96/EF, 2002/95/EF, EN 50144, EN 55014, EN61000, EN60745
2000/14/EF, Kjedesag _ 1600 w. Vedlegg V
Lydnivået, målt i henhold til 2000/14/EF:
LpA (lydtrykk) 94.2 dB(A)
LWA (akustisk effekt) 105.2 dB(A)
LWA (garantert) 104 dB(A)

Bruk alltid hørselvern hvis lydtrykket overstiger 85 dB (A).
Den veide geometriske middelverdien av
vibrasjonsfrekvensen ifølge EN 60745:
3.5 m/sec2

Kevin Hewitt
Direktør for forbrukerteknikk
Spennymoor, County Durham
DL16 6JG,
Storbritannia
31-10-2006

Garanti

Black & Decker er trygg på kvaliteten til sine produkter og tilbyr en enestående garanti. Denne garantierklæringen kommer i tillegg til dine lovbestemte rettigheter, og er ikke i konflikt med disse. Garantien er gyldig i EU- og EFTA-medlemsstatene.

Hvis et Black & Decker-produkt går i stykker på grunn av material- og/eller fabrikkasjonsfeil eller har mangler i forhold til spesifikasjonene, innen 24 måneder fra kjøpet, påtar Black & Decker seg å skifte ut defekte deler, reparere produkter som har vært utsatt for alminnelig slitasje, eller bytte ut slike produkter med minst mulig vanskelighet for kunden, med mindre:

- ♦ produktet har vært brukt i yrkes-/næringsvirksomhet eller til utleie.
- ♦ produktet har vært utsatt for feilaktig bruk eller mislighold.
- ♦ produktet har blitt skadet av fremmede gjenstander eller stoffer eller ved et uhell.
- ♦ reparasjoner er forsøkt utført av andre enn autoriserte serviceverksteder eller Black & Deckers serviceteknikere.

For å ta garantien i bruk skal produktet og kjøpekvittering leveres til forhandleren eller til et autorisert serviceverksted. For informasjon om nærmeste autoriserte serviceverksted, kontakt ditt lokale Black & Decker-kontor på den adressen som er angitt i bruksanvisningen. En oversikt over autoriserte serviceverksteder og opplysninger om ettersalgsservice og kontakter er også tilgjengelig på Internett: www.2helpU.com

Besøk vårt webområde www.blackanddecker.no for å registrere ditt nye Black & Decker-produkt og for å holde deg oppdatert om nye produkter og spesialtilbud. Du finner mer informasjon om Black & Decker og produktutvalget vårt på www.blackanddecker.no.

Anvendelsesområde

Din Black & Decker kædesav er designet til at beskære og fælde træer og save i træstammer. Dette værktøj er kun beregnet til privat brug.

Generelle sikkerhedsregler

Advarsel! Læs alle instrukserne. Hvis nedenstående instrukser ikke følges, er der risiko for elektrisk stød, brand og/eller alvorlige personskader. Det benyttede begreb "elværktøj" i nedennævnte advarsler refererer til el-netdrevne (med tilslutningsledning) eller batteridrevne maskiner (uden tilslutningsledning).

DISSE INSTRUKTIONER BØR OPBEVARES TIL SENERE BRUG.

1. Arbejdsområde

- a. **Sørg for, at arbejdsområdet er rent og ordentligt oplyst.** Uordentlige og uoplyste arbejdsområder øger faren for uheld.
- b. **Brug ikke elværktøj i eksplosionstruede omgivelser, f.eks. hvor der er brændbare væsker, gasser eller støv.** Elværktøj kan slå gnister, der kan antænde støv eller dampe.
- c. **Sørg for, at børn og andre personer holder sig på afstand, når elværktøjet er i brug.** Hvis man distraheres, kan man miste kontrollen over maskinen.

2. Elektricitet og sikkerhed

- a. **Elværktøjsstik skal passe til stikkontakten. Stikket må under ingen omstændigheder ændres. Brug ikke adapterstik sammen med jordforbundet elværktøj.** Uændrede stik, der passer til stikkontakterne, nedsætter risikoen for elektrisk stød.
- b. **Undgå kropskontakt med jordforbundne overflader som f.eks. rør, radiatorer, komfurer og køleskabe.** Hvis din krop er jordforbundet, øges risikoen for elektrisk stød.
- c. **Elværktøj må ikke udsættes for regn eller fugt.** Indtrængen af vand i elværktøj øger risikoen for elektrisk stød.
- d. **Undgå at ødelægge ledningen. Undgå at bære, trække eller afbryde elværktøjet ved at rykke i ledningen. Beskyt ledningen mod varme, olie, skarpe kanter eller maskindele, der er i bevægelse.** Beskadigede eller udviklede ledninger øger risikoen for elektrisk stød.
- e. **Hvis elværktøj benyttes i det fri, skal der benyttes en forlængerledning, som er godkendt til udendørs brug.** Brug af en forlængerledning til udendørs brug nedsætter risikoen for elektrisk stød.

3. Personlig sikkerhed

- a. **Vær opmærksom, hold øje med, hvad du laver, og brug elværktøjet fornuftigt. Man bør ikke bruge maskinen, hvis man er træt, har nydt alkohol eller er påvirket af medicin eller euforiserende stoffer.** Få sekunders uopmærksomhed ved brug af elværktøjet kan føre til alvorlige personskader.

- b. **Brug sikkerhedsudstyr. Bær altid beskyttelsesbriller.** Brug af sikkerhedsudstyr som f.eks. støvmaske, skridsikert fodtøj, beskyttelseshjelm eller høreværn afhængigt af maskintype og anvendelse nedsætter risikoen for personskader.

- c. **Undgå utilsigtet igangsætning. Sørg for, at elværktøjets afbryder er i slukket position, før det sluttes til strømmen.** Hvis man bærer elværktøj med fingeren på afbryderen, eller hvis man slutter værktøjet til strømmen, mens afbryderen er slået til, kan det medføre risiko for ulykker.

- d. **Fjern indstillingsværktøj eller skruenøgle, inden elværktøjet tændes.** Et værktøj eller en nøgle, der efterlades i en roterende del i elværktøjet, kan resultere i personskader.

- e. **Stræk dig ikke for langt. Sørg for, at du altid har sikkert fodfæste og balance.** Det gør det nemmere at kontrollere elværktøjet, hvis der skulle opstå uventede situationer.

- f. **Brug egnet arbejdstøj. Undgå løse beklædningsgenstande eller smykker. Hold hår, tøj og handsker væk fra dele, der bevæger sig.** Bevægelige dele kan gribe fat i løstsiddende tøj, smykker eller langt hår.

- g. **Hvis støvudsugnings- og opsamlingsudstyr kan monteres, er det vigtigt, at dette tilsluttes og benyttes korrekt.** Brug af dette udstyr nedsætter risikoen for personskader som følge af støv.

4. Brug og vedligeholdelse af elværktøj

- a. **Undgå at overbelaste elværktøjet. Brug altid det rette elværktøj til opgaven.** Med det rigtige elværktøj udføres arbejdet lettere og sikrere og i det tempo, som værktøjet er beregnet til.

- b. **Brug ikke elværktøjet, hvis afbryderen er defekt.** Elværktøj, der ikke kan reguleres med afbryderen, er farligt og skal repareres.

- c. **Træk stikket ud af stikkontakten inden indstilling, tilbehørsudskiftning eller opbevaring af elværktøjet.** Disse sikkerhedsforanstaltninger reducerer risikoen for utilsigtet start af værktøjet.

- d. **Opbevar ubenyttet elværktøj uden for børns rækkevidde. Lad aldrig personer, der ikke er fortrolige med elværktøj, eller som ikke har gennemlæst disse instrukser, benytte maskinen.** Elværktøj er farligt, hvis det benyttes af ukundige personer.

- e. **Elværktøj bør vedligeholdes omhyggeligt. Kontroller, om bevægelige dele er skæve og ikke sidder fast, og om delene er brækket eller beskadiget, så elværktøjets funktion påvirkes. Få beskadigede dele repareret, inden elværktøjet tages i brug.** Mange uheld skyldes dårligt vedligeholdt elværktøj.

- f. **Sørg for, at skæreværktøjer er skarpe og rene.** Omhyggeligt vedligeholdt skæreværktøjer med skarpe skærekanter sætter sig ikke så hurtigt fast og er nemmere at styre.

g. **Brug elværktøj, tilhører, indsatsværktøj osv. i overensstemmelse med disse instrukser og sådan, som det kræves for denne specielle værktøjstype. Tag hensyn til arbejdsforholdene og det arbejde, der skal udføres.** Hvis elværktøjet anvendes til formål uden for det fastsatte anvendelsesområde, kan der opstå farlige situationer.

5. Service

a. **Sørg for, at elværktøjet kun reparerer af kvalificerede fagfolk, og at der kun benyttes originale reservedele.** Dermed bevares elværktøjets sikkerhed.

Yderligere sikkerhedsanvisninger for kædesaven

- ◆ **Hold alle dele af kroppen væk fra savkæden, når kædesaven anvendes. Før du starter kædesaven, skal du sikre dig, at savkæden ikke er i kontakt med noget.** Få sekunders uopmærksomhed ved brugen af kædesaven kan medføre, at dit tøj eller din krop kommer i kontakt med kædesaven.
- ◆ **Hold altid kædesaven med højre hånd på det bageste håndtag og venstre hånd på det forreste håndtag.** Hold aldrig kædesaven med hænderne placeret omvendt, da dette øger risikoen for personskade.
- ◆ **Bær beskyttelsesbriller og høreværn. Det anbefales at benytte yderligere beskyttelsesudstyr til hoved, hænder, ben og fødder.** Tilstrækkelig beskyttende beklædning mindsker personskaden i tilfælde af flyvende materiale eller kontakt med savkæden ved et uheld.
- ◆ **Anvend ikke kædesaven i et træ.** Anvendelse af kædesaven, mens man befinder sig i et træ, kan medføre personskade.
- ◆ **Sørg altid for at have et godt fodfæste, og brug kun kædesaven, når du står på en fast, solid og jævn overflade.** Glatte eller ustabile overflader som f.eks. stiger kan medføre, at du mister balancen eller kontrollen med kædesaven.
- ◆ **Ved savning i en stammedel, der står under spænding, skal du være opmærksom på eventuel tilbagefjedring.** Når spændingen i træfibrene udløses, kan den fjederbelastede stammedel ramme brugeren og/eller bringe kædesaven ud af kontrol.
- ◆ **Udvis stor forsigtighed ved savning i småkviste og unge træer.** Det tynde materiale kan gribe fat i savkæden og blive slynget tilbage mod dig eller skubbe dig ud af balance.
- ◆ **Bær kædesaven i det forreste håndtag med kædesaven slukket og vendt bort fra kroppen. Monter altid sværd dækslet ved transport eller opbevaring af kædesaven.** Korrekt håndtering af kædesaven mindsker risikoen for at komme i berøring med savkæden ved et uheld, mens den kører.

- ◆ **Følg instruktionerne vedrørende smøring, spænding af kæden og udskiftning af tilbehør.** Forkert spændte eller smurte kæder kan knække eller forøge risikoen for tilbageslag.
- ◆ **Hold håndtagene tørre, rene og fri for olie og fedt.** Fedtede eller olierede håndtag er glatte og kan forårsage, at du mister grebet om maskinen.
- ◆ **Sav kun i træ. Brug ikke kædesaven til formål, den ikke er beregnet til. Brug for eksempel ikke kædesaven til at save i plastik, murværk eller byggematerialer, som ikke er af træ.** Hvis kædesaven anvendes til andre formål, end den er beregnet til, kan der opstå farlige situationer.

Årsager til og undgåelse af tilbageslag (kickback):

Tilbageslag kan forekomme, når spidsen af sværdet berører en genstand, eller når træet lukkes sammen, så savkæden kommer i klemme i snittet.

Kontakt på spidsen kan forårsage en pludselig modsat reaktion, så sværdet slås opad og bagud mod brugeren.

Fastklemning af savkæden oven på sværdet kan medføre, at sværdet skubbes hurtigt tilbage mod brugeren.

Begge disse reaktioner kan føre til, at du mister kontrollen med kædesaven, hvilket kan medføre alvorlig personskade. Du må ikke udelukkende forlade dig på de indbyggede sikkerhedsfunktioner i kædesaven. Som bruger af en kædesav skal du træffe en række forholdsregler for at undgå uheld eller personskade, når du arbejder.

Et tilbageslag (kickback) opstår som følge af forkert brug eller misbrug af værktøjet. Det kan undgås ved at tage nedenstående forholdsregler.

- ◆ **Hold godt fast, således at tommelfingeren og de øvrige fingre griber omkring håndtagene på kædesaven. Hold begge hænder på kædesaven, og placer kroppen og armen, så du kan modstå tilbageslagskraften.** Tilbageslagskræfterne kan kontrolleres af brugeren, hvis der træffes de nødvendige forholdsregler. Slip ikke kædesaven.
- ◆ **Ræk dig ikke for langt, og undlad at skære over skulderhøjde.** Derved undgås berøring af spidsen ved et uheld, og du har bedre kontrol med kædesaven i uventede situationer.
- ◆ **Anvend kun udskiftningssværd og -kæder, som er godkendt af producenten.** Forkerte udskiftningssværd og -kæder kan medføre, at kæden knækker, og/eller tilbageslag.
- ◆ **Følg producentens instruktioner vedrørende slibning og vedligeholdelse af savkæden.** Hvis dybdemålerens højde reduceres, forøges risikoen for tilbageslag.

Sikkerhedsanbefalinger for kædesaven

- ◆ Vi anbefaler kraftigt, at førstegangsbrugere modtager praktisk vejledning i brugen af kædesaven og beskyttelsesudstyr fra en øvet bruger. Indledende øvelser bør udføres ved at save i stammer på en savbuk eller et stativ.
- ◆ Vi anbefaler, at du sikrer dig, at bremsen er aktiveret, når du bærer kædesaven
- ◆ Hold kædesaven ved lige, når den ikke er i brug. Kædesaven må ikke opbevares i længere tid, uden at savkæden og sværdet er afmonteret. Disse dele skal opbevares neddyppet i olie. Opbevar alle kædesavens dele på et tørt, sikkert sted uden for børns rækkevidde.
- ◆ Vi anbefaler, at du tømmer oliebeholderen, før kædesaven lægges til opbevaring.
- ◆ Sørg for, at du har et sikkert fodfæste, og planlæg en sikker flugtvej fra et faldende træ eller faldende grene, før savningen påbegyndes.
- ◆ Brug kiler til at hjælpe med at styre fældningen og forhindre, at sværdet og savkæden sætter sig fast i træet.
- ◆ Behandling af savkæden. Hold savkæden skarp og stram på sværdet. Sørg for, at savkæden og sværdet er rene og velsmurte. Hold håndtagene tørre, rene og fri for olie og fedt.

Der kan forekomme tilbageslag af følgende grunde:

- ◆ Hvis man rammer grene eller andre emner uforvarende med spidsen af saven, mens savkæden kører.
- ◆ Hvis man rammer metal, cement eller andre hårde materialer ved siden af eller indlejret i træet.
- ◆ En sløv eller løs kæde.
- ◆ Savning over skulderhøjde.
- ◆ Manglende opmærksomhed, mens man holder eller styrer den kørende kædesav.
- ◆ Udstrækning. Sørg for, at du altid har sikkert fodfæste og balance hele tiden, og stræk dig ikke for langt ud.
- ◆ Forsøg ikke at sætte saven i et tidligere snit. Dette kan medføre tilbageslag. Lav et nyt snit hver gang.
- ◆ Vi fraråder kraftigt at bruge kædesaven, når du står oppe i et træ, på en stige eller på en anden ustabil overflade. Hvis du gør dette, gør vi opmærksom på, at disse arbejdsstillinger er ekstremt farlige.
- ◆ Når du saver en gren, der er under spænding, skal du passe på, når den springer tilbage, at du ikke bliver ramt, når spændingen udløses.

Undgå at save:

- ◆ Forarbejdet tømmer.
- ◆ I jord.
- ◆ I trådhegn, søm osv.
- ◆ I små kviste og unge træer, da det spinkle materiale kan gribe fat i savkæden og blive slynget mod dig eller skubbe dig ud af balance.

- ◆ Brug ikke kædesaven over skulderhøjde.
- ◆ Sørg for, at der står en anden i nærheden (men i sikker afstand) for det tilfælde, at der skulle ske et uheld.
- ◆ Hvis du af en eller anden grund skal røre ved savkæden, skal du sørge for, at kædesaven er afbrudt ved stikkontakten.
- ◆ Støjen fra dette produkt kan overstige 85 dB(A).
- ◆ Vi anbefaler derfor, at du tager de relevante forholdsregler til beskyttelse af hørelsen.

Værktøjet er forsynet med følgende advarselssymboler:



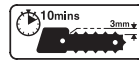
Læs hele vejledningen omhyggeligt.



Anvend ikke saven under våde forhold, og udsæt den ikke for regn.



Bær altid høreværn og beskyttelsesbriller.



Kontroller kædespændingen for hver 10 minutters brug. Juster den tilbage til en frigang på 3 mm.



Tag altid stikket ud af kontakten, før du undersøger et beskadiget kabel. Pas på, at du ikke benytter kædesaven, hvis kablet er beskadiget.



Støjen fra dette produkt kan overstige 85 dB(A).

Elektricitet og sikkerhed



Denne maskine er dobbelt isoleret. Derfor er jordledning ikke nødvendig. Kontroller altid, at strømforsyningen svarer til spændingen på typeskiltet.

Yderligere sikkerhedsvejledninger

- ◆ Dette apparat er ikke beregnet til at blive betjent af unge eller uerfarne personer uden opsyn. Børn skal holdes under opsyn, så det sikres, at de ikke leger med apparatet.
- ◆ Hvis netledningen beskadiges, skal den udskiftes af producenten eller et autoriseret Black & Decker-værksted, så farlige situationer undgås.

Beskyttelse mod elektrisk stød.

- ◆ Undgå kropskontakt med jodede overflader (f.eks. metalgælændere, lygtepæle osv.). Den elektriske sikkerhed kan forbedres yderligere ved brug af en højfølsom (30 mA / 30 mS) fejlstrømsafbryder.

Advarsel! Brug af en fejlstrømsafbryder eller en anden kredsløbsafbryder fritager ikke brugeren af kædesaven fra de sikkerhedsinstruktioner og sikre arbejdsmetoder, der er anvist i denne brugsanvisning.

Funktioner

1. Afbryder
2. Låseknap
3. Oliedæksel
4. Forsideskærm/kædebremse
5. Skrue til kædespændingsjustering
6. Kæde
7. Sværd
8. Kædedæksel
9. Kædebeskytterknapp
10. Kædebeskytter
11. Indikator for oliestand

MONTERING

Smoring af kæden (fig. A)

Du skal gøre dette, hver gang du bruger en ny kæde (6) for første gang. Tag den nye kæde (6) ud af plastikemballagen, og lad den ligge i kædeolie i mindst en time, før den bruges. Anvend kædeolie fra Black & Decker

Vi anbefaler, at du benytter det samme oliemærke i hele kædesavens levetid, da en blanding af forskellige olier kan medføre, at olien nedbrydes, hvilket kan forkorte savkædens levetid væsentligt.

Brug aldrig spildolie, tyk olie eller meget tynd smaskineolie. De vil kunne beskadige kædesaven.

Montering af sværd og kæde (fig. A – F)



Advarsel! Bær altid beskyttelseshandsker, når du arbejder med kædesaven.

- ◆ Anbring kædesaven på en stabil overflade.
- ◆ Løs og fjern kædebeskytterknappen (9) (fig. A).
- ◆ Indstil forsideskærmen til position ① (fig. C).
- ◆ Tag kædebeskyttermonteringen af (10).
- ◆ Anbring kæden (6) over sværdet (7), idet du sørger for, at tænderne på savkæden på den øverste del af sværdet (7) vender mod forsiden (fig. B).
- ◆ Før kæden (6) omkring sværdet (7), og træk for at danne en løkke på den ene side af bagsiden af sværdet (7).
- ◆ Monter kæden (6) og sværdet (7) på kædesaven. Før kæden (6) omkring kædetrækket (12). Monter sværdet (7) på bøsningerne (13). Sørg for, at skydemøtrikkens tap (14) kommer på plads i spændingshullet (15) (fig. E).
- ◆ Sørg for, at kædebremsemonteringen (4) er i den indstillede position ① før genmonteringen (fig. C).
- ◆ Monter kædebeskyttermonteringen (10) på kædesaven.

- ◆ Monter kædebeskytterknappen (9), og stram den med fingrene.
- ◆ Drej skruen til kædespændingsjustering (5) (fig. E) med uret, indtil kæden (6) er stram. Sørg for, at kæden (6) sidder stramt omkring sværdet (7). Stram ikke for meget.
- ◆ Stram kædebeskytterknappen (9).

Kontrol og justering af kædespændingen (fig. E og G)

- ◆ Før brugen og for hver 10 minutters brug skal kædespændingen tjekkes.
- ◆ Træk let i kæden (6) som vist (indsat fig. G). Spændingen er korrekt, hvis kæden (6) springer tilbage efter at være trukket 3 mm væk fra sværdet (7). Der må ikke være nogen "nedbøjning" mellem sværdet (7) og kæden (6) på undersiden.

Bemærk: Kæden (6) må ikke overstrammes, da det vil kunne føre til større slid og vil reducere sværdets (7) og kædens (6) levetid.

Bemærk: Når kæden (6) er ny, skal stramningen kontrolleres ofte (efter at stikket er taget ud af stikkontakten) under de første 2 timers brug, da en ny kæde (6) strækker sig en smule.

Spændingen forøges på følgende måde:

- ◆ Drej skruen til kædespændingsjustering (5a) med uret.

Påfyldning af oliebeholderen (fig. F)

- ◆ Fjern oliedækslet (3), og fyld beholderen med den anbefalede kædeolie. Du kan se oliestanden på indikatoren for oliestand (11). Sæt oliedækslet (3) på igen.
- ◆ Sluk regelmæssigt, og kontroller indikatoren for oliestand (11). Hvis beholderen er mindre end kvart fyldt, skal du tage kædesaven ud af stikkontakten og fylde op med den korrekte olie.

Auto-stop kædebremse (fig. C)

- ◆ Dette værktøj er udstyret med en auto-stop kædebremse (4), der standser kæden (6) inden for 150 millisekunder, hver gang du udløser den bageste startknap, eller hvis der skulle opstå tilbageslag. Kædebremsen (4) skal afprøves før hver gang, saven bruges.

Sådan indstilles kædebremsen (fig. C)

- ◆ Kontrollér, at værktøjet er afbrudt ved stikkontakten.
- ◆ Træk forsideskærmen/kædebremsen (4) tilbage i den "indstillede" position mærket ① (fig. C).

Værktøjet er nu klar til brug.

Sådan fungerer anti-tilbageslags-kædebremsen

I tilfælde af tilbageslag kommer din venstre hånd i kontakt med forsideskærmen og skubber den fremad mod arbejdsemnet, så værktøjet standses inden for 150 ms.

Sådan fungerer kædebremsen

Forsideskærmen/kædebremsen (4) aktiveres, når forsideskærmen, skubbes fremad manuelt af brugerens hånd eller ved dens egen vægt. Fordelen ved sikkerhedsbremsen er, at den aktiveres ved alvorligt tilbageslag, f.eks. når kæden (6) støder på metal, også selvom brugerens hånd ikke berører forsideskærmen, dvs. hvis kædesaven er i fældningsposition.

Sådan testes anti-tilbageslags-kædebremsen (fig. C)

- ◆ Grib fast om værktøjet med begge hænder på en fast overflade. Sørg for, at savkæden (6) er fri af jorden, og tænd for værktøjet (se afsnittet "Sådan tændes for kædesaven").
- ◆ Drej venstre hånd fremad omkring det forreste håndtag, så bagsiden af hånden rører ved forsideskærmen/kædebremsen (4) og skubber den fremad mod arbejdsområdet (fig. C). Savkæden (6) skal nu standse på en brøkdæl af et sekund.

Sådan genindstilles efter betjening af forsideskærmen/kædebremsen (4):

- ◆ Følg instruktionerne under "Sådan indstilles kædebremsen".

Bemærk: Det er ikke muligt at tænde for værktøjet, hvis forsideskærmen/kædebremsen (4) ikke er i den "indstillede" position ①.

Bemærk: Undgå at genstarte værktøjet, indtil du kan høre, at motoren er helt standset.

Bemærk: Hvis savkæden (6) ikke straks standser, er det tegn på, at den trænger til at blive strammet (se afsnittet "Montering af sværd og kæde").

Sådan tændes værktøjet (fig. F)

- ◆ Hold fast i kædesaven med begge hænder. Skub låseknappen (2) fremad, og tryk derefter på afbryderen (1) for at starte.
- ◆ Når motoren starter, skal du fjerne tommelfingeren fra låseknappen (2) og gribe fast om håndtaget.

Værktøjet må ikke forceres – giv det mulighed for at virke.

Det fungerer bedre og mere sikkert, når det bruges med den hastighed, som det er beregnet til. Savkæden (6) udvider sig, hvis den udsættes for pres.

Hvis savkæden (6) eller sværdet (7) kommer i klemme:

- ◆ Sluk værktøjet.
- ◆ Træk værktøjets ledning ud af stikkontakten.
- ◆ Åbn snittet med kiler for at mindske belastningen på sværdet (7). Prøv ikke at vride kædesaven fri. Start et nyt sted.

Fældning (fig. H - J)

Uerfarne brugere bør ikke forsøge at fælde træer. Brugeren kan lide personskade eller beskadige ejendom, hvis faldretningen ikke kontrolleres, træet kan splintre, eller beskadigede eller døde grene kan falde ned under savningen.

Sikkerhedsafstanden mellem et træ, der skal fældes, og tilskuere, bygninger og andre genstande er mindst 2 1/2 gange træets højde. Enhver anden person, bygning eller genstand inden for denne afstand risikerer at blive ramt af træet, når det er fældet.

Før du forsøger at fælde et træ:

- ◆ Kontroller, at der ikke er lokale vedtægter eller bestemmelser, som forbyder eller begrænser fældning af træer.
- ◆ Tag højde for alle forhold, der kan påvirke faldets retning, bl.a.:
 - ◆ Den tilsigtede faldretning.
 - ◆ Træets naturlige hældning.
 - ◆ En usædvanligt tung stammestruktur eller forrådnelse.
 - ◆ Omkringstående træer og hindringer inkl. el-ledninger og underjordiske rør.
 - ◆ Vindens hastighed og retning.

Planlæg en sikker flugtvej fra faldende træer eller grene.

Sørg for, at denne flugtvej er fri for genstande, der kan forhindre eller besværliggøre bevægelse. Husk, at vådt græs og nyafskåret bark er glat.

Forsøg ikke at fælde træer, hvis diameter er større end kædesavens skærelængde.

Der skæres et retningsnit for at bestemme faldets retning.

Der skæres et vandret snit til en dybde af mellem 1/5 og 1/3 af træets diameter, vinkelret på faldlinjen, nederst på træet (fig. H). Det andet snit foretages ovenfra, så det skærer det første i en vinkel på omkring 45°.

Skær et enkelt vandret fældningsnit fra den anden side 2,5 – 5 centimeter over midten af retningsnittet (fig. I). Undgå at skære igennem til retningsnittet, da du kan miste kontrollen med faldretningen.

Driv én eller flere kiler ind i dette snit for at åbne det og få træet til at falde (fig. J).

Beskæring af træer

Kontroller, at der ikke er lokale vedtægter eller bestemmelser, som forbyder eller begrænser beskæring af træer. Beskæring må kun udføres af erfarne brugere, da der er forøget risiko for, at savkæden klemmes fast og medfører tilbageslag.

Før beskæring skal du overveje de forhold, der påvirker faldretningen, bl.a.:

- ◆ Længde og vægt af den gren, der skal skæres af.
- ◆ En usædvanligt tung stammestruktur eller forrådnelse.
- ◆ Omkringstående træer og hindringer inkl. el-ledninger.
- ◆ Vindens hastighed og retning.
- ◆ At grenen flettes ind i andre grene.

Brugeren skal overveje adgangen til grenen og faldretningen. Grenen vil sandsynligvis svinge mod træstammen. Ud over brugeren er der fare for tilskuere, genstande og ejendom under grenen.

For at undgå splintring skal der først skæres et snit opad til maks. en tredjedel af grenens tykkelse. Det andet snit skæres nedefter, så det møder det første.

Kapning (fig. K, L og M)

Den måde, du skal skære på, afhænger af, hvordan stammen er understøttet. Brug en savbuk, når det er muligt. Start altid et snit med kæden (6) kørende og den takkede kant (17) i berøring med træet (fig. K). Færdiggør snittet med en drejebevægelse af den takkede kant mod træet.

Hvis stammen er understøttet i hele sin længde:

- ◆ Lav et nedadgående snit, men undgå at skære i jorden, da dette hurtigt vil kunne forringe savkæden.

Hvis stammen er understøttet i begge ender:

- ◆ Skær først en tredjedel ned for at undgå splintring, og sav derefter igen for at møde det første snit.

Hvis stammen er understøttet i den ene ende:

- ◆ Skær først en tredjedel opad for at undgå splintring, og skær derefter nedad for at forhindre splintring.

Hvis du står på en skråning (fig. L):

- ◆ Stå altid oven for arbejdsstedet.

Ved brug af en savbuk (fig. M):

Dette anbefales kraftigt, når det er muligt.

- ◆ Anbring stammen, så den ligger stabilt. Skær altid på ydersiden af savbukkens arme. Brug klemmer eller remme til at fastgøre arbejdsemnet.

Hvis du vil skære i en træstamme, der ligger på jorden, skal du fastgøre arbejdsemnet ved hjælp af klodser eller kiler.

Brugeren eller tilskuere må ikke støtte stammen ved at sidde eller stå på den. Sørg for, at savkæden ikke berører jorden.

Vedligeholdelse

Regelmæssig vedligeholdelse sikrer en lang effektiv levetid for værktøjet. Vi anbefaler, at du udfører følgende kontrol med jævne mellemrum.

Oliestand

Niveauret i beholderen må ikke komme ned under kvart fuld.

Savkæden og sværdet (fig. G)

- ◆ Tag sværdet (7) og savkæden (6) af, hver gang saven har været brugt nogle timer, og rengør dem omhyggeligt.
- ◆ Ved den efterfølgende samling skal sværdet (7) drejes 180°, og trækspiden smøres gennem træksmørehullet (16). Derved sikres en ligelig fordeling af sliddet omkring sværdskinneerne.

Slibning af savkæden

Hvis værktøjet skal yde sit bedste, er det vigtigt at holde tænderne på savkæden skarpe. Du finder vejledningen til denne fremgangsmåde på slibesættet. Til dette formål anbefaler vi Black & Decker slibesæt til savkæder (fås hos Black & Decker-forhandlere og andre udvalgte forhandlere).

Udskiftning af slidte savkæder

Udskiftningssavkæder fås i detailhandelen eller hos Black & Decker-forhandlere. Brug altid originale reservedele.

Savkædens skarphed

Skærene på savkæden bliver øjeblikkeligt sløve, hvis de berører jorden eller et søm under savning.

Savkædens spænding

Kontroller savkædespændingen regelmæssigt.

Hvad du skal gøre, hvis kædesaven skal repareres.

Denne kædesav overholder de relevante sikkerhedsforskrifter. Reparationer må kun foretages af en dertil kvalificeret person, som bruger originale reservedele. I modsat fald kan der opstå betydelig fare for brugeren. Vi anbefaler, at du opbevarer denne brugsanvisning et sikkert sted.

Udskiftning af netstik (kun U.K. & Irland)

Sådan monteres et nyt netstik:

- ◆ Det gamle stik skal bortskaffes på en sikker måde.
- ◆ Slut den brune ledning til den strømførende klemme på det nye stik.
- ◆ Slut den blå ledning til den neutrale klemme.

Advarsel! Der skal ikke foretages nogen tilslutning til jordklemmen. Følg de monteringsanvisninger, der leveres sammen med kvalitetsstik. Anbefalet sikring: 10 A.

Miljø

Når dit værktøj er udtjent, eller du ikke længere har brug for det, beskyt da naturen ved ikke at smide det ud sammen med det almindelige affald. Black & Decker-værksteder modtager gammelt Black & Decker-værktøj og sørger for, at det bortskaffes på en miljørigtig måde.



Ved adskilt bortskaffelse af brugte produkter og emballage bliver der mulighed for at genanvende forskellige stoffer. Genanvendelse af stoffer medvirker til at forebygge miljøforurening og mindsker behovet for råstoffer.

Lokal lovgivning kan kræve separat indsamling af elprodukter fra husholdningen, ved kommunale affaldsdeponer eller af den detailhandlende ved køb af et nyt produkt.

Black & Decker sørger for at indsamle og genanvende Black & Decker-produkter, når disse ikke længere kan bruges. Hvis du vil benytte dig af denne service, skal du returnere produktet til et autoriseret værksted, der indsamler produkterne for os.

Du kan få oplyst adressen på det nærmeste værksted ved at kontakte den lokale Black & Decker-afdeling på adressen, der fremgår af denne vejledning. Liste over alle autoriserede Black & Decker-serviceværksteder samt servicevilkår og kontaktpersoner er tilgængelig på internettet på adressen: www.2helpU.com.

Tekniske data

	GK1730	GK1735	GK1740	GK1930	GK1935	GK1940
Spænding (VAC)	230	230	230	230	230	230
Indgangs-effekt (W)	1700	1700	1700	1850	1850	1850
Hastighed uden belastning (min ⁻¹)	5500	5500	5500	5500	5500	5500
Maks. skærelængde (cm)	30	35	40	30	35	40
Oliekapacitet (ml)	100	100	100	100	100	100
Vægt (kg)	5,55	5,65	5,8	5,6	5,7	5,85
Sikkerhedsklasse	II	II	II	II	II	II

EU-designanmeldelsesnummer
000417274-0001

EU overensstemmelseserklæring

GK1730; GK1735; GK1740; GK1930; GK1935; GK1940

Black & Decker erklærer, at disse produkter er i overensstemmelse med følgende:

98/37/EF. 89/336/EØF. 73/23/EØF. 2002/96/EF. 2002/95/EF.

EN 50144. EN 55014. EN61000. EN60745

2000/14/EF. Kædesav _ 1600 W. Annex V

Lydniveauet målt i henhold til 2000/14/EF:

LpA (lydtryk) 94,2 dB(A)

LWA (akustisk effekt) 105,2 dB(A)

LWA (garanteret) 104 dB(A)

Bær altid høreværn, hvis lydtrykket overstiger 85 dB (A).

Den vægtede geometriske middelværdi af accelerationsfrekvensen i henhold til EN 60745:

3,5 m/sec²

Kevin Hewitt
Director of Consumer Engineering
Spennymoor, County Durham
DL16 6JG,
Storbritannien
31-10-2006

Garanti

Black & Decker garanterer, at produktet er frit for materielle skader og/eller fabriksfejl ved levering til kunden. Garantien er et tillæg til forbrugernes lovsikrede rettigheder og påvirker ikke disse. Garantien gælder inden for medlemsstaterne af den Europæiske Union og i det Europæiske Frihandelsområde.

Hvis et Black & Decker-produkt går i stykker på grund af materiel skade og/eller fabriksfejl eller på anden måde ikke fungerer i overensstemmelse med specifikationen inden for 24 måneder fra købsdatoen, påtager Black & Decker sig at reparere eller ombytte produktet med mindst mulig ulempe for kunden. Garantien gælder ikke for fejl og mangler, der er sket i forbindelse med:

- ◆ normal slitage
- ◆ uheldige følger efter unormal anvendelse af værktøjet
- ◆ overbelastning, hærværk eller overdrevent intensiv brug af værktøjet eller ulykkeshændelse
- ◆ Garantien gælder ikke, hvis reparationer er udført af nogen anden end et autoriseret Black & Decker-værksted.

For at udnytte garantien skal produktet og købskvitteringen indleveres til forhandleren eller til et autoriseret værksted. Kontakt det lokale Black & Decker-kontor på den adresse, der er opgivet i denne vejledning, for at få oplysninger om det nærmeste autoriserede værksted. En liste over alle autoriserede Black & Decker-serviceværksteder samt servicevilkår er tilgængelig på internettet på adressen:

www.2helpU.com

Gå venligst ind på vores website **www.blackanddecker.dk** for at registrere dit nye produkt og for at blive holdt ajour om nye produkter og specialtilbud. Der findes yderligere oplysninger om mærket Black & Decker og vores produktsortiment på adressen **www.blackanddecker.dk**.

Käyttötarkoitus

Black & Decker -ketjusaha on tarkoitettu puiden kaatoon ja karsintaan sekä halkojen katkaisuun. Saha on tarkoitettu kotikäyttöön.

Yleiset turvallisuutta koskevat säännöt

Varoitus! Tutustu kunnolla ohjeisiin. Alla olevien ohjeiden laiminlyönti saattaa aiheuttaa sähköiskun, tulipalon ja/tai johtaa vakavaan loukkaantumiseen. Alla olevissa ohjeissa käytetty käsite "sähkötyökalu" tarkoittaa verkkokäyttöisiä sähkötyökaluja (virtajohdollisia) ja akkukäyttöisiä sähkötyökaluja (ilman virtajohtoa).

SÄILYTÄ NÄMÄ OHJEET HYVIN.

1. Työalue

- Pidä työalue puhtaana ja hyvin valaistuna.** Työpaikan epäjärjestys ja valaisemattomat työalueet voivat johtaa tapaturmiin.
- Älä käytä sähkötyökalua räjähdyksaltuissa ympäristöissä, jossa on palavaa nestettä, kaasua tai pölyä.** Sähkötyökalu muodostaa kipinöitä, jotka saattavat sytyttää pölyn tai höyryä.
- Pidä lapset ja sivulliset loitolla sähkötyökalua käyttäessäsi.** Voit menettää laitteen hallinnan, jos huomiosi suuntautuu muualle.

2. Sähköturvallisuus

- Sähkötyökalun pistotulpan tulee sopia pistorasiaan. Pistotulppaa ei saa muuttaa millään tavalla. Älä käytä mitään pistorasia-adaptoreita maadoitettujen sähkötyökalujen kanssa.** Alkuperäisessä kunnossa olevat pistotulpat ja sopivat pistorasiat vähentävät sähköiskun vaaraa.
- Vältä koskettamasta maadoitettuja pintoja, kuten putkia, pattereita, liesiä tai jääkaappeja.** Sähköiskun vaara kasvaa, jos kehosi on maadoitettu.
- Älä altista sähkötyökalua sateelle tai kosteudelle.** Veden tunkeutuminen sähkötyökalun sisään kasvattaa sähköiskun riskiä.
- Älä käytä verkkojohtoa väärin. Älä käytä sitä sähkötyökalun kantamiseen, vetämiseen tai pistotulpan irrottamiseen pistorasiasta. Pidä johto loitolla kuumuudesta, öljystä, terävistä reunoista ja liikkuvista osista.** Vahingoittuneet tai sotkeutuneet johdot kasvattavat sähköiskun vaaraa.
- Käyttäessäsi sähkötyökalua ulkona käytä ainoastaan ulkokäyttöön soveltuvaa jatkojohtoa.** Ulkokäyttöön soveltuvan jatkojohdon käyttö pienentää sähköiskun vaaraa.

3. Henkilöturvallisuus

- Keskity työskentelyysi ja noudata tervettä järkeä käyttäessäsi sähkötyökaluja. Älä käytä sähkötyökalua, jos olet väsynyt tai huumeiden, alkoholin tai lääkkeiden vaikutuksen alaisena.** Hetken tarkkaamattomuus sähkötyökalua käytettäessä saattaa johtaa vakavaan loukkaantumiseen.
 - Käytä suojavarusteita. Käytä aina suojalaseja.** Suojavarusteet, kuten hengityssuojain, luistamattomat turvajalkineet, kypärä ja kuulosuojaimet pienentävät, tilanteen mukaan oikein käytettynä, loukkaantumisriskiä.
 - Valo, ettei sähkötyökalu käynnisty vahingossa. Varmista, että virta on katkaistu kytkimestä ennen virtajohdon liittämistä pistorasiaan.** Onnettomuusvaara lisääntyy, jos kannat sähkötyökalua sormi käyttökytkimellä tai kytket virtajohdon pistorasiaan, kun käyttökytkin on päällä.
 - Irrota mahdollinen säätö- tai kiintoavain, ennen kuin käynnistät sahan.** Sahan pyöriivään osaan kiinni jäänyt avain voi johtaa loukkaantumiseen.
 - Älä kurkota liian kauas. Seiso aina tukevasti ja tasapainossa.** Tällöin voit paremmin hallita sähkösaha yllättävissä tilanteissa.
 - Käytä tarkoitukseen soveltuvia vaatteita. Älä käytä löysää työvaatteita tai koruja. Pidä hiukset, vaatteet ja käsi- neet loitolla liikkuvista osista.** Väljät vaatteet, korut ja pitkät hiukset voivat takertua liikkuviin osiin.
 - Jos sahaan voi kiinnittää purunkerääjän tai -imurin, tarkista, että se on paikallaan ja että se toimii kunnolla.** Näiden laitteiden käyttö vähentää pölyhaittoja.
- ### 4. Sähkötyökalujen käyttö ja hoito
- Älä ylikuormita laitetta. Käytä kypseeseen työhön tarkoitettua sähkötyökalua.** Sopivaa sähkötyökalua käyttäen työskentelet paremmin ja varmemmin tehoalueella, jolle sähkötyökalu on tarkoitettu.
 - Älä käytä sähkötyökalua, jota ei voida käynnistää ja pysäyttää virtakytkimestä.** Jos sähkötyökalua ei voi käynnistää ja pysäyttää virtakytkimellä, se on vaarallinen ja täytyy korjata.
 - Irrota pistoke pistorasiasta, ennen kuin säädät sahaa, vaihdat sen varusteita tai siirät sen varastoon.** Tällä tavoin pienennetään sähkötyökalun tahattoman käynnistyksen mahdollisuutta.
 - Säilytä sähkötyökalut poissa lasten ulottuvilta, kun niitä ei käytetä. Älä anna sahaa sellaisen henkilön käyttöön, joka ei tunne sitä tai joka ei ole tutustunut tähän käyttöohjeeseen.** Sähkötyökalut ovat vaarallisia kokemattoman käyttäjän käsissä.

- e. **Hoida sähkötyökalu huolella. Tarkista, että liikkuvat osat toimivat moitteettomasti, eivätkä ole puristuksessa ja että työkalussa ei ole murtuneita tai vahingoittuneita osia, jotka saattaisivat vaikuttaa haitallisesti sen toimintaan. Korjauta mahdolliset viat ennen käyttöönottoa.** Moni tapaturma aiheutuu huonosti huolletuista laitteista.
- f. **Pidä leikkausterät terävinä ja puhtaina.** Huolellisesti hoidettu, terävä saha ei tartu herkästi kiinni ja sitä on helpompi hallita.
- g. **Käytä sähkötyökaluja, tarvikkeita ja teriä näiden ohjeiden mukaisesti ja tavalla, joka on tarkoitettu erityisesti kyseiselle sähkötyökälulle. Ota tällöin huomioon olosuhteet ja työn laatu.** Sähkötyökäluun käyttö muuhun kuin sille tarkoitettuun tehtävään voi johtaa vaarallisiin tilanteisiin.
5. **Huolto**
- a. **Anna ammattitaitoisten henkilöiden korjata sähkötyökaluja ja hyväksy korjauksiin vain alkuperäisiä varaosia.** Näin varmistat, että sähkötyökälu säilyi turvallisena.

Ketjusahojen turvaohjeita

- ◆ **Ole huolellinen, ettei teräketju osu itseesi sahausken missään vaiheessa. Varmista ennen sahan käynnistämistä, ettei teräketju kosketa mihinkään.** Jos tarkkaavaisuutesi pääsee herpaantumaan sahausken aikana, esimerkiksi vaatteesi voivat takertua teräketjuun.
- ◆ **Pidä ketjusahaa oikealla kädellä sen takakavhasta ja vasemmalla sen etukavhasta.** Vastakkainen ote sahasta lisää onnettomuusriskiä. Älä koskaan tee niin.
- ◆ **Käytä aina kuulosuojaimia ja suojalaseja. Pään, käsien ja jalkojen suojavausteet ovat suositeltavia.** Kunnollinen suojavaateetus vähentää lentävien puunsälöjen ja teräketjun kosketusten aiheuttamia onnettomuuksia.
- ◆ **Älä käytä ketjusahaa puussa.** Loukkaantumisen riski on erittäin suuri, jos kiipeät puuhun sahaamaan.
- ◆ **Käytä suojaavia jalkineita ja seiso sahatessasi tasaisella ja tukevalla alustalla.** Liukas tai horjuva työskentelypaikka, kuten tikapuilta sahaaminen, voi johtaa tasapainon tai sahan hallinnan menetykseen.
- ◆ **Ole varovainen katkaistessasi jännittyneenä olevaa oksaa, sillä se saattaa ponnahtaa yllättävään suuntaan.** Kun puun jännitys laukeaa, ponnahtava oksa voi osua käyttäjään ja/tai työkaluun ja aiheuttaa hallinnan menetyksen.
- ◆ **Ole hyvin varovainen sahatessasi pensaita tai vesakkoa.** Taipuisat oksat voivat tarttua teräketjuun ja iskeytyä sahajaan tai horjuttaa hänen tasapainoaan.
- ◆ **Kanna sahaa etukavhasta virta katkaistuna ja terä suunnattuna itsestäsi pois päin. Aseta laipan suojuis paikalleen sahan kuljetuksen ja varastoinnin ajaksi.** Käsitteille sahaa huolellisesti, ettet vahingossa kosketa pyörivää teräketjua.
- ◆ **Noudata voitelusta, ketjun kireydestä ja osien vaihdosta annettuja ohjeita.** Väärin kiristetty tai voitelematon ketju voi katketa tai lisätä takapotkun mahdollisuutta.
- ◆ **Pidä kädensijat kuivina ja puhtaina öljystä ja rasvasta.** Öljyiset kädensijat ovat liukkaista ja voivat aiheuttaa työkalun hallinnan menetyksen.
- ◆ **Sahaa vain puuta. Älä käytä sahaa muuhun kuin sille suunniteltuun tarkoitukseen. Esimerkiksi älä sahaa muovia, tiiltä tai muuta materiaalia.** Ketjusahan käyttö muuhun kuin sille tarkoitettuun tehtävään voi johtaa vaarallisiin tilanteisiin.

Takapotkun syyt ja niiden estäminen

Takapotkun voi aiheuttaa laipan kärjen osuminen johonkin tai terän jääminen puristuksiin.

Laipan kärjen osuminen kiinteään kohteeseen voi potkaista pyörivän ketjun voimakkaasti päin sahajaaja.

Teräketjun puristuminen laipan yläpintaan voi myös aiheuttaa nopean takapotkun.

Molemmat edellä kuvatuista tilanteista voivat johtaa sahan hallinnan menetykseen ja loukkaantumiseen. Älä luota pelkästään ketjusahan turvalaitteisiin. Ketjusahan käyttäjän tulee itse huolehtia siitä, etteivät sahausolosuhteet aiheuta vaaratilanteita.

Takapotku on seuraus sahan vääristä käyttötavoista tai -olosuhteista ja sen voi välttää noudattamalla alla kuvattuja varotoimia.

- ◆ **Tartu sahaan lujalla otteella kummastakin kavhasta. Kun kädet pitävät kiinni sahasta, asetu sellaiseen asentoon, että voit vastustaa takapotkua.** Sahaaja pystyy hyvin vastustamaan takapotkun voimaa noudattamalla esitettjä varotoimia. Älä hellitä otettasi sahasta kesken työn.
- ◆ **Älä kurkotta liikaa äläkä sahaa hartiatason yläpuolella.** Näin estät tahattomat kärkikosketukset ja pystyt paremmin hallitsemaan sahaa yllättävissä tilanteissa.
- ◆ **Käytä varaosina vain valmistajan suosittelemia laippoja ja ketjuja.** Sahaan sopimattomat laipat tai ketjut voivat johtaa ketjurikkoihin tai takapotkuihin.
- ◆ **Noudata valmistajan antamia sahan teroitus- ja huolto-ohjeita.** Syysohjaimen madaltaminen voi lisätä sahan alltiutta takapotkuihin.

Ketjusahan turvasuosituksen

- ◆ Ensikertalaisten sahan käyttäjien on erittäin suositeltavaa kysyä käytännön ohjeita ja neuvoja kokeneelta sahaajalta. Sahan käyttöä kannattaa opetella sahaamalla halkoja sahapukissa.
- ◆ Ketjusahan kuljetuksen aikana ketujarrun käyttö on suositeltavaa.
- ◆ Pidä ketjusaha hyvässä kunnossa, kun se ei ole käytössä. Jos ketjusaha on pitkiä aikoja käyttämättä, irrota teräketju ja laippa ja säilytä ne öljyyn upotettuna. Säilytä ketjusahaa kuivassa, turvallisessa paikassa poissa lasten ulottuvilta.
- ◆ Öljysäiliö kannattaa tyhjentää ennen varastointia.
- ◆ Varmista, että seisot tukevalla alustalla. Katso etukäteen turvallinen poistumisreitti kaatuvan puun tieltä.
- ◆ Ohjaa puun kaatumissuuntaa kiiloilla. Kiilojen avulla voit myös estää ketjun ja laipan juuttumisen leikkausuraan.
- ◆ Ketjusahan huoltaminen Pidä teräketju terävänä ja sopivan tiukalla. Huolehdi siitä, että ketjusaha ja laippa ovat puhtaat ja hyvin öljytyt. Pidä kädensijat kuivina ja öljyttöminä.

Takapotkun voi aiheuttaa:

- ◆ Sahan kärjen osuminen vahingossa oksiin tai muihin esineisiin ketjun pyöriessä.
- ◆ Terän osuminen puun lähellä tai sisällä olevaan metalliin, betoniin tai muuhun kovaan materiaaliin.
- ◆ Tylsä tai löysä ketju.
- ◆ Sahaaminen hartiatason yläpuolella.
- ◆ Tarkkaavaisuuden herpaantuminen sahausken aikana.
- ◆ Kurkottaminen. Seiso aina tukevasti ja tasapainossa äläkä kurkota.
- ◆ Älä sahaa vanhasta sahausurasta. Se voi aiheuttaa takapotkun. Tee joka kerta uusi sahausviilto.
- ◆ Älä käytä ketjusahaa puussa, tikapuilla tai millään epävakaailla alustalla. Jos teet niin, muista, että tällainen työskentelyasento on erittäin vaarallinen.
- ◆ Kun sahaat jännittyneitä oksia, huomioi, että se voi singahtaa takaisin.

Vältä:

- ◆ Käsitellyn puutavaran sahaamista.
- ◆ Maahan sahaamista.
- ◆ Verkkoaitojen, naulojen jne sahaamista.
- ◆ Pensaiden tai aivan pienten puiden sahaamista. Taipuisa oksa voi juuttua teräketjuun ja iskeä sahaajaan horjuttaen hänen tasapainoaan.
- ◆ Älä käytä ketjusahaa hartiatason yläpuolella.
- ◆ Varmista, että joku on lähellä (mutta turvallisen etäisyyden päässä) onnettomuuden varalta.
- ◆ Jos sinun on jostakin syystä kosketettava teräketjua, varmista, että saha on irrotettu verkkovirrasta.

- ◆ Ketjusahan melutaso voi ylittää 85 dB(A).
- ◆ Tämän vuoksi on suositeltavaa käyttää asianmukaisia kuulosuojaimia.

Työkalussa on seuraavat varoituserkinnät:



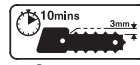
Lue tämä käyttöohje huolellisesti.



Älä käytä sahaa sateella tai kosteassa.



Käytä aina kuulosuojaimia ja suojalaseja.



Tarkista ketjun kireys 10 minuutin välein. Säädä välykseen 3 mm.



Irrota verkkojohto pistorasiasta aina ennen vaurioituneen johdon tarkistamista. Älä käytä ketjusahaa, jos virtajohto on vahingoittunut.



Ketjusahan melutaso voi ylittää 85 dB(A).

Sähköturvallisuus



Tämä laite on kaksoiseristetty, joten erillistä maadoitusta ei tarvita. Tarkista aina, että virtalähde vastaa arvokilvessä ilmoitettua jännitettä.

Lisäturvaohjeet

- ◆ Tätä laitetta ei ole tarkoitettu nuorten tai hyvin heikkokuntoisten henkilöiden käyttöön ilman valvontaa. Muista, ettei ketjusaha ole lasten leikkikalua.
- ◆ Jos virtajohto vahingoittuu, sen vaihtaminen tulee turvallisuusyistä jättää valmistajan tai valtuutetun Black & Decker -huollon tehtäväksi.

Suoja sähköiskuja vastaan.

- ◆ Vältä itse koskettamasta maadoitettuihin pintoihin (esim. metallikaiteisiin, lyhtypylväisiin jne.). Sähköturvallisuutta voi parantaa käyttämällä erittäin herkkää (30 mA / 30 mS) vikavirtasuojaa.

Varoitus! Se tai jokin muu virtapiirikatkaisin ei vapauta sahan käyttäjää tässä käyttöoppaassa esitettyjen turvallisten työtapojen ja turvaohjeiden noudattamiselta.

Yleiskuvaus

1. Virrankatkaisija
2. Lukituspainike
3. Öljysäiliön tulppa
4. Etusuojain/ketjujarru
5. Ketjun kireyden säätöruuvi
6. Ketju
7. Laippa
8. Teräsuojus
9. Ketjukopan nuppi
10. Ketjukoppa
11. Öljytason ilmaisin

KOKOAMINEN**Ketjun voitelu (kuva A)**

Tämä on tehtävä aina, kun uusi ketju (6) otetaan käyttöön. Ota uusi ketju (6) pois muovipussista ja anna sen liota ketjuöljyssä vähintään tunnin ennen käyttöä. Käytä Black & Decker -teräketjuöljyä.

Voiteluun kannattaa käyttää aina samaa öljymerkkiä. Erilaisten öljyjen sekoittaminen voi huonontaa öljyn laatua. Tämä voi lyhentää ketjun käyttöikää huomattavasti.

Älä koskaan käytä jätteöljyä, paksua öljyä tai erittäin ohutta ompelukoneöljyä. Nämä öljyt voivat vaurioittaa ketjusahaa.

Laipan ja ketjun asentaminen (kuvat A - F)

Varoitus! Käytä aina suojakäsineitä käsitellessäsi ketjusahaa.

- ◆ Aseta saha tukevalle alustalle.
- ◆ Avaa ketjukopan nuppi (9) (kuva A).
- ◆ Aseta etusuojain oikeaan asentoon ① (kuva C).
- ◆ Poista ketjukoppa (10).
- ◆ Aseta ketju (6) laipan (7) päälle. Varmista, että ketjun leikkausterät laipan yläosassa (7) osoittavat eteenpäin (kuva B).
- ◆ Ohjaa ketju (6) laipan (7) uraan ja vedä ketjua niin, että siihen jää lenkki laipan (7) takaosaan.
- ◆ Aseta ketju (6) ja laippa (7) paikalleen sahaan. Aseta ketju (6) vetopyörän (12) ympäri. Aseta laippa (7) ohjaimiin (13). Varmista, että liukunasta (14) osuu kiristysreikään (15) (kuva E).
- ◆ Varmista, että ketjujarru (4) on oikeassa asennossa ① ennen asentamista (kuva C).
- ◆ Aseta ketjukoppa (10) sahaan.
- ◆ Sovita ketjukopan nuppi (9) paikalleen ja kiristä sormin.
- ◆ Kierrä ketjun kireyden säätöruuvia (5) (kuva E) myötäpäivään, kunnes ketju (6) on kireällä. Varmista, että ketju (6) on sopivan tiukalla laipan ympärillä (7). Älä kiristä liikaa.
- ◆ Kiristä ketjukopan nuppi (9).

Ketjun kireyden tarkistaminen ja säätäminen (kuvat E ja G).

- ◆ Ketjun kireys on tarkistettava ennen käyttöä ja aina 10 minuutin käytön jälkeen.
- ◆ Vedä ketjua (6) kevyesti kuvan esittämällä tavalla (kuvan G sisäkuva). Kireys on sopiva, kun ketju (6) napsahtaa takaisin paikalleen, kun sitä on vedetty 3 mm laipasta (7). Ketju (6) ei saa roikkua laipan (7) alapuolella.

Huomautus: Älä kiristä ketjua (6) liikaa, sillä se aiheuttaa ylimääräistä kulumista ja lyhentää laipan (7) ja ketjun (6) käyttöikää.

Huomautus: Tarkista uuden ketjun (6) kireys useaan kertaan (irrota virtajohto ensin pistorasiasta) 2 ensimmäisen käyttötunnin aikana, koska uusi ketju venyy hieman.

Ketjun kiristäminen:

- ◆ Kierrä ketjun kireyden säätöruuvia (5a) myötäpäivään.

Öljysäiliön täyttäminen (kuva F)

- ◆ Avaa öljysäiliön tulppa (3) ja täytä säiliö suositellulla ketjuöljyllä. Öljytaso näkyy ilmaisimesta (11). Kierrä säiliön tulppa (3) takaisin paikalleen.
- ◆ Sammuta ketjusaha ja tarkista öljyn määrä ilmaisimesta säännöllisesti. Jos öljyä on alle 1/4, irrota sahan virtajohto ja lisää oikeanlaista öljyä.

Automaattinen ketjujarru (kuva C)

- ◆ Tässä sahasa on automaattinen ketjujarru (4), joka pysäyttää ketjun (6) 150 millisekunnissa takapotkun sattuessa tai irrottaessa ote takakatkaisijasta. Ketjujarrun (4) toiminta kannattaa kokeilla ennen jokaista käyttökertaa.

Ketjujarrun asettaminen (kuva C)

- ◆ Varmista, että virtajohto on irrotettu pistorasiasta.
- ◆ Vedä etusuojain/ketjujarru (4) taaksepäin merkittyyn "asetusasentoon" ① (kuva C).

Saha on nyt käyttövalmis.

Takapotkulta suojaavan ketjujarrun toiminta

Takapotkutilanteessa vasen käsi osuu etusuojaimen/ ketjujarruun työntäen sitä eteenpäin kohti sahauskohdetta ja pysäyttäen ketjusahan 150 millisekunnissa.

Liike-energiatoimisen ketjujarrun toiminta

Etusuojain/ketjujarru (4) aktivoituu, kun etusuojain kallistuu eteenpäin joko työnnettäessä, käden selkämysten osuessa siihen tai omalla painollaan. Liike-energiatoimisen jarrun etuna on sen toiminta esimerkiksi seuraavissa tilanteissa. Kun ketju (6) osuu metalliin, vaikka sahaajan käsi ei työntäisi etusuojaimen esimerkiksi silloin, kun saha on kaatoasennossa.

Takapotkulta suojaavan ketjujarrun testaaminen (kuva C)

- ◆ Asetu tukevalle alustalle ja tartu sahaan lujasti molemmin käsin. Varmista, että ketju (6) ei kosketa maata ja käynnistä kone (ks. "Ketjusahan käynnistys").
- ◆ Kallista vasenta kättä kahvasta pitäen eteenpäin niin, että käsi koskettaa etusuojaa/ketjujarrua (4) ja työntää sitä eteenpäin sahauskohteeseen päin (kuva C). Ketju (6) pysähtyy sekunnin murto-osassa.

Etusuojan/ketjujarrun (4) palauttaminen käyttöasentoon

- ◆ Noudata kohdassa "Ketjujarrun asettaminen" esitettyjä ohjeita.

Huomautus: Ketjusaha ei käynnisty, jos etusuojaain/ketjujarru (4) ei ole käyttöasennossa ①.

Huomautus: Moottorin tulee pysähtyä ennen uudelleen käynnistämistä.

Huomautus: Jos teräketju (6) ei pysähdy välittömästi, ketju on kiristettävä (katso "Laipan ja ketjun asentaminen").

Ketjusahan käynnistäminen (kuva F)

- ◆ Tartu ketjusahasta tukevasti molemmin käsin. Työnnä lukituspainiketta (2) eteenpäin ja käynnistä painamalla virtakytkintä (1).
- ◆ Kun moottori käynnistyy, irrota peukalo lukituspainikkeelta (2) ja pidä tukevasti kiinni kahvasta.

Älä ylikuormita sahaa – anna sen tehdä työ.

Saha toimii tehokkaasti ja turvallisesti, kun sen annetaan käydä sille suunnitellulla nopeudella. Liiallinen painaminen saa ketjun (6) venymään.

Jos ketju (6) tai laippa (7) jumittuu:

- ◆ katkaise työkalun virta
- ◆ irrota työkalun virtajohto sähköverkosta
- ◆ Vapauta laippa (7) avaamalla sahausura kiiloilla. Älä yritä kiskoa tai vääntää sahaa irti. Aloita sahaaminen uudesta kohdasta.

Puiden kaataminen (kuvat H - J)

Puun kaatamista ei suositella kokemattomalle sahan käyttäjälle. Väärään suuntaan kaatuva puu voi aiheuttaa aineellisia tai henkilövahinkoja. Myös kaatuvan puun sälot tai kuivat oksat voivat saada aikaan vahinkoja.

Turvallinen etäisyys kaadettavan puun ja sivullisten, rakennusten ja muiden kohteiden välillä on 2,5 kertaa puun pituus. Tätä etäisyyttä lähempänä olevat sivulliset tai rakennukset voivat jäädä kaatuvan puun alle.

Valmistelut ennen puun kaatoa

- ◆ Varmista etukäteen, että puun kaataminen on luvallista.
- ◆ Ota huomioon kaikki olosuhteet, jotka voivat vaikuttaa kaatumissuuntaan, mukaan lukien:
 - ◆ suunta, johon oksan pitäisi pudota
 - ◆ puun kallistussuunta
 - ◆ poikkeuksellisen raskaat oksat tai lahot kohdat

- ◆ ympäröivät puut ja esteet, yli kulkevat sähköjohdot ja maanlaiset viemärit
- ◆ tuulen nopeus ja suunta.

Suunnittele turvallinen poistumisreitti kaadettavan puun luota. Varmista, että poistumisreitti on esteetön. Muista, että märkä ruoho ja tuore kaarna ovat liukkaista.

Älä yritä kaataa puuta, joka on paksumpi kuin ketjusahan sahausvyvyys.

Puun kaatumissuuntaa ohjataan sahauslovelta.

Puun tyveen, kaatosuuntaan nähden kohtisuoraan sahataan viilto, joka ulottuu puun sisään 1/5 - 1/3 puun läpimitasta (kuva H). Ensimmäisen viillon yläpuolelta sahataan n. 45°:een kulmassa vino viilto, joka osuu vaakaviiltoon.

Muodostuneen loven vastapuolelta, 3-5 cm loven keskikohdan yläpuolelta sahataan vaakasuora kaatoleikkaus (kuva I). Älä sahaa aivan loveen saakka, ettei puu lähde kaatumaan väärään suuntaan.

Lyö yksi tai useampi kiila kaatoviiltoon ja kaada puu (kuva J).

Puiden karsiminen

Varmista etukäteen, että puun karsiminen on luvallista. Pystykarsinta tulee jättää kokeneen sahan käyttäjän tehtäväksi, koska sahan kiinnijäämisen ja takapotkujen riski on suuri.

Ennen karsintaa on arvioitava oksien putoamissuuntaan vaikuttavat tekijät, kuten

- ◆ katkaistavan oksan pituus ja paino
- ◆ poikkeuksellisen raskaat oksat tai lahot kohdat
- ◆ ympäröivät puut ja esteet ja yli kulkevat johdot
- ◆ tuulen nopeus ja suunta.
- ◆ oksan kiinnittyminen muihin oksiin.

Sahaajan on ensin selvitettävä miten hän pääsee karsintakohtaan ja mihin oksa putoaa. Katkaistavat oksat kallistuvat puun runkoa kohti. Alla olevat sivulliset ja esineet ovat tällöin vaarassa.

Sälöytymisen estämiseksi oksaa sahataan ensin alhaalta päin enintään kolmasosan verran oksan paksuudesta. Sen jälkeen sahataan ylhäältä päin suoraan kohti alaleikkausta.

Rungon katkaiseminen (kuvat K, L ja M)

Sahaustapa määräytyy tukin tuennan perusteella. Käytä sahapukkia aina, kun mahdollista. Aloita sahaus aina siten, että teräketju (6) pyörii ja kaatopiikit (17) ovat kiinni puussa (kuva K). Sahaat tukki poikki kallistamalla sahaa puuta vasten olevien kaatopiikkien varassa.

Kun puu on tuettuna koko pituudeltaan:

- ◆ Sahaat alaspäin. Estä teräketjun kosketus maahan, koska muuten ketju tylsyy nopeasti.

Kun puu on tuettuna molemmista päistään:

- ◆ Sahaa ensin alaspäin 1/3 säilytymisen estämiseksi. Sahaa sitten toiselta puolelta loppuun.

Kun tukki on tuettuna toisesta päästään:

- ◆ Sahaa ensin alta 1/3 rungon paksuudesta säilytymisen estämiseksi ja sitten loppuun ylhäältä alaspäin.

Rinteessä (kuva L):

- ◆ Seiso aina ylämäen puolella.

Sahapukkia käytettäessä (kuva M):

Sahapukin käyttö on suositeltavaa aina, kun se on mahdollista.

- ◆ Aseta puu vakaasti sahauspukille. Sahaa aina sahapukin reunojen ulkopuolelta. Sido sahattava puu hinnalla tai puristimella.

Jos sahattava puu on kokonaan maassa, tue se tapeilla tai kiloilla. Puuta ei saa tukea istumalla tai seisomalla sen päällä. Varo, ettei teräketju kosketa maahan.

Huolto

Säännöllinen huolto varmistaa työkalun pitkän ja tehokkaan käyttöiän. Seuraavat tarkistukset kannattaa tehdä säännöllisesti.

Öljytaso

Säiliön öljytaso ei saa laskea alle 1/4.

Teräketju ja laippa (kuva G)

- ◆ Irrota ketju (6) ja laippa (7) aina muutaman tunnin käytön jälkeen ja puhdista ne huolellisesti.
- ◆ Kun kokoat sahaa uudelleen, käännä laippaa (7) 180° ja voitele hammaspyöränokka voitelureiän (16) kautta. Näin laipan ketjuohjaimet kuluvat tasaisesti.

Teräketjun teroittaminen

Jotta saha toimisi parhaalla mahdollisella tavalla, ketjun hampaat on pidettävä terävinä. Teroitinpaketissa on ohjeet tähän. Suosittelemme Black & Deckerin teroituspaketin hankkimista (saatavana Black & Deckerin valtuutetuista huoltoliikkeistä ja jälleenmyyjiltä).

Kuluneen teräketjun vaihtaminen

Teräketjuja on saatavana Black & Deckerin valtuutetuista huoltoliikkeistä ja jälleenmyyjiltä. Käytä aina vain alkuperäisiä varaosia.

Teräketjun terävyys

Ketjun leikkuuterät tylsyvät heti, jos ne sahattaessa osuvat maahan tai naulaan.

Teräketjun kireys

Tarkista teräketjun kireys säännöllisesti.

Mitä tehdä, jos ketjusaha vaatii korjausta

Ketjusaha täyttää asianmukaisten turvaohjeiden vaatimukset. Korjauksia saa tehdä vain Black & Deckerin valtuuttama huoltoliike, joka käyttää alkuperäisosa, muutoin koneen käyttäjälle voi aiheuta vaaratilanteita. Suosittelemme tämän käyttöohjeen säilyttämistä turvallisessa paikassa.

Virtajohdon pistokkeen vaihtaminen (vain Iso-Britannia ja Irlanti)

Jos joudut vaihtamaan verkkopistokkeen:

- ◆ Hävitä vanha pistoke ympäristöystävällisesti.
- ◆ Liitä ruskea johto uuden pistokkeen jännitteeseen napaan.
- ◆ Liitä sininen johto tähtipisteliittimeen.

Varoitus! Maadoitusliittimeen ei liitetä johtoa. Noudata pistokkeen mukana toimitettuja kiinnitysohjeita. Suositeltava sulake: 10 A.

Ympäristö



Kun työkalusi aikanaan täytyy vaihtaa tai ei kelpaa enää käyttöön, ota huomioon ympäristötekijät. Black & Deckerin valtuutetut huoltoliikkeet ottavat vastaan Black & Decker -työkaluja ja varmistavat, että ne hävitetään ympäristöystävällisesti.



Käytettyjen tuotteiden ja pakkausmateriaalien erilliskeruun avulla materiaalit voidaan kierrättää ja käyttää uudelleen. Kierrätysmateriaalien käyttö auttaa vähentämään ympäristön saastumista ja uusien raaka-aineiden tarvetta.

Paikallisissa säädöksissä voidaan määrätä, että kodin sähkötuotteiden keruu tapahtuu kaupunkien jätteidenkäsittelyasemilla tai laitteita myyvissä liikkeissä uuden tuotteen oston yhteydessä.

Kun koneesi on käytetty loppuun, älä heitä sitä tavallisten roskien mukana pois, vaan vie se paikkakuntasi kierrätyskeskukseen tai jätä valtuutettuun Black & Deckerin huoltoliikkeeseen.

Tiedot valtuutetuista huoltoliikkeistä saa ottamalla yhteyttä Black & Decker Oy:hyn sekä Internetistä osoitteesta www.2helpU.com.

Tekniset tiedot

	GK1730	GK1735	GK1740	GK1930	GK1935	GK1940
Jännite (V)230	230	230	230	230	230	230
Ottoteho (W)	1700	1700	1700	1850	1850	1850
Nopeus il- man kuor- mitusta (min ⁻¹)	5500	5500	5500	5500	5500	5500
Suurin sa- hauspi- tuus (cm)	30	35	40	30	35	40
Öljysäiliön tilavuus (ml)	100	100	100	100	100	100
Paino (kg)	5.55	5.65	5.8	5.6	5.7	5.85
Turvaluo- kitus	II	II	II	II	II	II

Mallirekisteröintinumero (EY)
000417274-0001

EU:n yhdenmukaisuusilmoitus

GK1730; GK1735; GK1740; GK1930; GK1935; GK1940

Black & Decker vakuuttaa näiden tuotteiden olevan

seuraavien standardien vaatimusten mukaiset:

98/37/EY. 89/336/ETY. 73/23/ETY. 2002/96/EY. 2002/95/EY.

EN 50144. EN 55014. EN61000. EN60745

2000/14/EY. Ketjusaha _ 1600 w. Liite V

Melutaso, mitattu 2000/14/EY:n mukaisesti:

LpA (äänenpaine) 94.2 dB(A)

LWA (ääniteho) 105.2 dB(A)

LWA (taattu) 104 dB(A)

Käytä aina kuulosuojaimia, jos melutaso ylittää 85 dB (A).

Käteän kohdistuva painotettu värinäarvo EN 60745 mukaisesti:

3.5 m/sec2



Kevin Hewitt
Director of Consumer Engineering
Spennymoor, County Durham
DL16 6JG,
Iso-Britannia
31-10-2006

Mikäli Black & Decker -kone hajoaa materiaali- ja/tai valmistusvirheen tai teknisten tietojen epätarkkuuden vuoksi 24 kk:n kuluessa ostopäivästä, Black & Decker korjaa koneen ilman kustannuksia ostajalle tai vaihtaa sen Black & Decker Oy:n valinnan mukaan. Takuu ei kata vikoja, jotka johtuvat koneen

- ◆ normaalista kulumisesta
- ◆ ylikuormituksesta, virheellisestä käytöstä tai hoidosta
- ◆ vahingoittamisesta vieraalla esineellä tai aineella tai onnettomuustapauksessa.
- ◆ Takuu ei ole voimassa, mikäli konetta on korjannut joku muu kuin Black & Deckerin valtuuttama huoltoliike.

Edellytyksenä takuun saamiselle on, että ostaja näyttää laitteen ostokuitin jälleenmyyjälle tai valtuutetulle huoltoliikkeelle. Saat valtuutettujen huoltoliikkeiden yhteystiedot ottamalla yhteyden Black & Decker Oy:hyn tässä käyttöoppaassa ilmoitetussa osoitteessa. Löydät myös valtuutettujen Black & Decker huoltoliikkeiden yhteystiedot sekä lisätietoja palveluistamme ja takuuehdoista Internetissä osoitteessa: **www.2helpU.com**

Rekisteröi uusi Black & Decker -tuotteesi ja katso uusien tuotteiden ja erikoistarjousten tiedot verkkosivuiltamme osoitteesta **www.blackanddecker.fi**. Katso Black & Decker -tavaramerkin ja tuotevalikoimamme lisätiedot osoitteesta **www.blackanddecker.fi**.

Takuu

Black & Decker Oy takaa, ettei koneessa ollut materiaali- ja/ tai valmistusvikaa silloin, kun se toimitettiin ostajalle. Takuu on lisäys kuluttajan laillisiin oikeuksiin eikä vaikuta niihin. Takuu on voimassa Euroopan unionin jäsenmaissa ja Euroopan vapaakauppa-alueella (EFTA).

Ενδεξιγμένη χρήση

Το αλυσοπρίονο Black & Decker έχει σχεδιαστεί για το κλάδεμα και την κοπή δέντρων και κορμών δέντρων. Το παρόν εργαλείο προορίζεται μόνο για ερασιτεχνική χρήση.

Γενικοί κανόνες ασφαλείας

Προειδοποίηση! Διαβάστε όλες τις υποδείξεις. Η μη τήρηση όλων των παρακάτω υποδείξεων μπορεί να προκαλέσει ηλεκτροπληξία, πυρκαγιά ή/και σοβαρούς τραυματισμούς. Ο χαρακτηρισμός "ηλεκτρικό εργαλείο" που χρησιμοποιείται στις παρακάτω προειδοποιητικές υποδείξεις αφορά ή το εργαλείο που συνδέεται στην πρίζα (με καλώδιο) ή το εργαλείο που λειτουργεί με μπαταρία (χωρίς καλώδιο).

ΦΥΛΑΞΤΕ ΑΥΤΕΣ ΤΙΣ ΟΔΗΓΙΕΣ

1. **Χώρος εργασίας**
 - a. **Διατηρείτε το χώρο που εργάζεστε καθαρό και καλά φωτισμένο.** Η αταξία στο χώρο που εργάζεστε και τα σημεία χωρίς καλό φωτισμό μπορεί να οδηγήσουν σε ατυχήματα.
 - b. **Μη χρησιμοποιείτε ηλεκτρικά εργαλεία σε περιβάλλον όπου υπάρχει κίνδυνος έκρηξης, π.χ. παρουσία εύφλεκτων υγρών, αερίων ή σκόνης.** Τα ηλεκτρικά εργαλεία μπορεί να δημιουργήσουν σπινθηρισμό ο οποίος μπορεί να αναφλέξει τη σκόνη ή τις αναθυμιάσεις.
 - c. **Όταν χρησιμοποιείτε το ηλεκτρικό εργαλείο, κρατάτε τα παιδιά και τα υπόλοιπα άτομα μακριά από το χώρο που εργάζεστε.** Σε περίπτωση που άλλα άτομα αποσπάσουν την προσοχή σας μπορεί να χάσετε τον έλεγχο του μηχανήματος.
2. **Ασφαλής χρήση του ηλεκτρικού ρεύματος**
 - a. **Το φως του καλωδίου του ηλεκτρικού εργαλείου πρέπει να ταιριάζει στην αντίστοιχη πρίζα. Δεν επιτρέπεται με κανένα τρόπο η μετασκευή του φως. Μη χρησιμοποιείτε προσαρμοστικά φως στα γειωμένα ηλεκτρικά εργαλεία.** Τα φως που δεν έχουν υποστεί τροποποιήσεις και οι κατάλληλες πρίζες μειώνουν τον κίνδυνο ηλεκτροπληξίας.
 - b. **Αποφύγετε την επαφή του σώματός σας με γειωμένες επιφάνειες όπως σωλήνες, θερμομαντικά σώματα (καλοριφέρ), κουζίνες και ψυγεία.** Όταν το σώμα σας είναι γειωμένο, αυξάνεται ο κίνδυνος ηλεκτροπληξίας.
 - c. **Μην εκθέτετε το ηλεκτρικό εργαλείο στη βροχή ή στην υγρασία.** Η διείσδυση νερού στο ηλεκτρικό εργαλείο αυξάνει τον κίνδυνο ηλεκτροπληξίας.
 - d. **Μην κακομεταχειρίζεστε το καλώδιο. Μη χρησιμοποιήσετε ποτέ το καλώδιο για να μεταφέρετε, να τραβήξετε ή να αποσυνδέσετε το εργαλείο από την πρίζα. Κρατάτε το καλώδιο μακριά από υψηλές θερμοκρασίες, λάδια, κοφτερές ακμές ή κινούμενα εξαρτήματα.** Τυχόν χαλασμένα ή μπερδεμένα καλώδια αυξάνουν τον κίνδυνο ηλεκτροπληξίας.
 - e. **Όταν χρησιμοποιείτε το ηλεκτρικό εργαλείο σε εξωτερικούς χώρους, να χρησιμοποιείτε πάντοτε καλώδια προέκτασης (μπαλαντέζες) που έχουν εγκριθεί για χρήση σε εξωτερικούς χώρους.** Η χρήση καλωδίων προέκτασης εγκεκριμένων για εργασία σε εξωτερικούς χώρους μειώνει τον κίνδυνο ηλεκτροπληξίας.
3. **Ασφάλεια προσώπων**
 - a. **Όταν χρησιμοποιείτε το ηλεκτρικό εργαλείο, να είστε προσεκτικοί, να δίνετε προσοχή στην εργασία που κάνετε και να επιστρατεύετε την κοινή λογική. Μη χρησιμοποιείτε το ηλεκτρικό εργαλείο όταν είστε κουρασμένοι ή όταν βρίσκεστε υπό την επήρεια ναρκωτικών, οινοπνεύματος ή φαρμάκων.** Μια στιγμιαία απροσεξία κατά το χειρισμό του ηλεκτρικού εργαλείου μπορεί να οδηγήσει σε σοβαρούς τραυματισμούς.
 - b. **Να χρησιμοποιείτε εξοπλισμό ασφαλείας. Να φοράτε πάντα προστατευτικά γυαλιά.** Ο κίνδυνος τραυματισμών μειώνεται όταν χρησιμοποιείτε εξοπλισμό ασφαλείας, όπως μάσκα προστασίας από σκόνη, ανιολισθητικά παπούτσια ασφαλείας, κράνη ή υασιπίδες, ανάλογα με τις συνθήκες εργασίας.
 - c. **Αποφεύγετε την αθέλητη θέση σε λειτουργία του ηλεκτρικού εργαλείου. Βεβαιωθείτε, ότι ο διακόπτης λειτουργίας βρίσκεται στη θέση "OFF" πριν συνδέσετε το ηλεκτρικό εργαλείο στην πρίζα.** Αν μεταφέρετε το ηλεκτρικό εργαλείο έχοντας το δάκτυλό σας πάνω στο διακόπτη λειτουργίας ή αν συνδέσετε το ηλεκτρικό εργαλείο στην πρίζα όταν ο διακόπτης λειτουργίας βρίσκεται στη θέση "ON", αυτό μπορεί να οδηγήσει σε σοβαρούς τραυματισμούς.

- d. Πριν θέσετε το ηλεκτρικό εργαλείο σε λειτουργία, αφαιρέστε τυχόν εργαλεία ή κλειδιά ρύθμισης.** Ένα εργαλείο ή κλειδί συναρμολογημένο στο περιστρεφόμενο εξάρτημα ενός ηλεκτρικού εργαλείου μπορεί να προκαλέσει τραυματισμούς.
- e. Μην τεντώνεστε. Φροντίστε πάντοτε να έχετε την κατάλληλη στάση και να διατηρείτε την ισορροπία σας.** Αυτό σας επιτρέπει τον καλύτερο έλεγχο του ηλεκτρικού εργαλείου σε περιπτώσεις απροσδόκων καταστάσεων.
- f. Φοράτε κατάλληλη ενδυμασία εργασίας. Μη φοράτε φαρδιά ρούχα ή κοσμήματα. Κρατάτε τα μαλλιά, τα ενδύματα και τα γάντια σας μακριά από τα κινούμενα εξαρτήματα.** Τα φαρδιά ρούχα, τα κοσμήματα και τα μακριά μαλλιά μπορεί να εμπλακούν στα κινούμενα εξαρτήματα.
- g. Αν προβλέπονται διατάξεις απαγωγής και συλλογής της σκόνης, βεβαιωθείτε ότι είναι συνδεδεμένες και ότι χρησιμοποιούνται σωστά.** Η χρήση τέτοιων διατάξεων μειώνει τους κινδύνους που προέρχονται από τη σκόνη.
- 4. Χρήση και συντήρηση του ηλεκτρικού εργαλείου**
- a. Μην υπερφορτώνετε το ηλεκτρικό εργαλείο. Χρησιμοποιείτε για την εκάστοτε εργασία σας το ηλεκτρικό εργαλείο που προορίζεται γι' αυτήν.** Με το κατάλληλο ηλεκτρικό εργαλείο εργάζεστε καλύτερα και ασφαλέστερα στην ονομαστική περιοχή ισχύος του.
- b. Μη χρησιμοποιήσετε ποτέ ένα ηλεκτρικό εργαλείο του οποίου ο διακόπτης λειτουργίας είναι χαλασμένος.** Ένα ηλεκτρικό εργαλείο του οποίου η λειτουργία δεν μπορεί να ελεγχθεί με το διακόπτη είναι επικίνδυνο και πρέπει να επισκευαστεί.
- c. Βγάλτε το φως από την πρίζα πριν διεξάγετε κάποια εργασία ρύθμισης στο ηλεκτρικό εργαλείο, πριν αλλάξετε κάποιο εξάρτημα ή όταν πρόκειται να το αποθηκεύσετε.** Αυτά τα προληπτικά μέτρα ασφαλείας μειώνουν τον κίνδυνο να τεθεί το μηχάνημα αθέλητα σε λειτουργία.
- d. Να φυλάτε τα ηλεκτρικά εργαλεία που δεν χρησιμοποιείτε μακριά από παιδιά. Μη αφήνετε άτομα που δεν είναι εξοικειωμένα με το ηλεκτρικό εργαλείο ή που δεν έχουν διαβάσει αυτές τις οδηγίες χρήσης να το χρησιμοποιήσουν.** Τα ηλεκτρικά εργαλεία είναι

επικίνδυνα όταν χρησιμοποιούνται από άπειρα άτομα.

- e. Να συντηρείτε τα ηλεκτρικά εργαλεία. Ελέγξτε εάν τα κινούμενα μέρη είναι σωστά ευθυγραμμισμένα ή αν έχουν μπλοκάρει, εάν έχουν σπάσει κομμάτια και εάν πληρούνται όλες οι υπόλοιπες συνθήκες που ενδεχομένως να επηρεάσουν τη σωστή λειτουργία του εργαλείου. Δώστε τυχόν χαλασμένα εξαρτήματα του ηλεκτρικού εργαλείου για επισκευή πριν το χρησιμοποιήσετε πάλι.** Η ανεπαρκής συντήρηση των ηλεκτρικών εργαλείων αποτελεί αιτία πολλών ατυχημάτων.
- f. Διατηρείτε τα κοπτικά εργαλεία κοφτερά και καθαρά.** Τα κοπτικά εργαλεία με αιχμηρά κοπτικά άκρα που συντηρούνται σωστά έχουν λιγότερες πιθανότητες να μπλοκάρουν και ελέγχονται ευκολότερα.
- g. Να χρησιμοποιείτε τα ηλεκτρικά εργαλεία, τα εξαρτήματα και τα άκρα των εργαλείων κτλ σύμφωνα με τις παρούσες οδηγίες καθώς και όπως προβλέπεται για τον κάθε τύπο μηχανήματος, λαμβάνοντας υπόψη σας τις συνθήκες εργασίας και την εργασία που θέλετε να εκτελέσετε.** Η χρήση του ηλεκτρικού εργαλείου για άλλες εκτός από τις προβλεπόμενες εργασίες μπορεί να δημιουργήσει επικίνδυνες καταστάσεις.
- 5. Σέρβις**
- a. Το σέρβις του ηλεκτρικού σας εργαλείου πρέπει να αναλαμβάνει έμπειρος τεχνικός που θα χρησιμοποιεί μόνο γνήσια ανταλλακτικά.** Έτσι εξασφαλίζεται η διατήρηση της ασφάλειας του ηλεκτρικού εργαλείου.

Συμπληρωματικές οδηγίες ασφαλείας για το αλυσοπρίονο

- ♦ Κρατάτε όλα τα μέρη του σώματος μακριά από την αλυσίδα όταν το αλυσοπρίονο βρίσκεται σε λειτουργία. Πριν να θέσετε σε λειτουργία το αλυσοπρίονο, φροντίστε η αλυσίδα του πριονιού να μη βρίσκεται σε επαφή με οποιοδήποτε αντικείμενο. Μια στιγμιαία απροσεξία κατά το χειρισμό του αλυσοπρίονου μπορεί να οδηγήσει στην εμπλοκή του εργαλείου με τα ρούχα ή το σώμα σας.

- ♦ **Πάντα να κρατάτε το αλυσοπρίονο με το δεξιό χέρι στην πίσω χειρολαβή και το αριστερό σας στην μπροστινή χειρολαβή.** Ποτέ δεν πρέπει να κρατάτε το αλυσοπρίονο με διαφορετικό τρόπο γιατί αυξάνεται ο κίνδυνος προσωπικού τραυματισμού.
- ♦ **Όταν χρησιμοποιείτε αυτό το εργαλείο, να φοράτε προστατευτικά γυαλιά και υψοασπίδες.** Συνιστάται η χρήση περαιτέρω προστατευτικού εξοπλισμού για το κεφάλι, τα χέρια και τα πόδια. Τα κατάλληλα προστατευτικά ρούχα μειώνουν τον κίνδυνο προσωπικού τραυματισμού από τα εκτοξευόμενα θραύσματα ή την τυχαία επαφή με την αλυσίδα.
- ♦ **Μη λειτουργείτε το αλυσοπρίονο ανεβασμένος σε δέντρο.** Η χρήση του αλυσοπρίονου ενώ βρίσκεστε πάνω σε δέντρο μπορεί να οδηγήσει σε προσωπικό τραυματισμό.
- ♦ **Φροντίζετε να έχετε πάντοτε την κατάλληλη στάση και να λειτουργείτε το αλυσοπρίονο μόνο όταν στέκεστε σε σταθερή, ασφαλή και επίπεδη επιφάνεια.** Οι γλιστερές ή ασταθείς επιφάνειες όπως οι σκάλες μπορούν να προκαλέσουν απώλεια της ισορροπίας ή του ελέγχου του αλυσοπρίονου.
- ♦ **Κατά την κοπή ενός κλαδιού που έχει καμφθεί, προσέξτε το ενδεχόμενο επαναφοράς του.** Όταν πάψει να ασκείται πίεση στις ίνες του ξύλου, το κλαδί που βρισκόταν σε κάμψη ενδέχεται να κτυπήσει το χειριστή ή/και το αλυσοπρίονο, με αποτέλεσμα την απώλεια του ελέγχου του.
- ♦ **Να είστε ιδιαίτερα προσεκτικοί όταν κόβετε θάμνους και δενδρύλλια.** Τα λεπτά υλικά μπορεί να πιαστούν στην αλυσίδα και να πιναχτούν προς εσάς ή να σας κάνουν να χάσετε την ισορροπία σας.
- ♦ **Να μεταφέρετε το αλυσοπρίονο από την μπροστινή λαβή με την αλυσίδα σταματημένη και σε απόσταση από το σώμα σας.** Όταν αποθηκεύετε ή μετακινείτε το αλυσοπρίονο τοποθετείτε πάντα το κάλυμμα της μπάρας οδηγού. Η σωστή μεταχείριση του αλυσοπρίονου μειώνει την πιθανότητα τυχαίας επαφής με την κινούμενη αλυσίδα.
- ♦ **Ακολουθήστε τις σχετικές οδηγίες σε ότι αφορά τη λίπανση, το τέντωμα της αλυσίδας και την αλλαγή των εξαρτημάτων.**

Όταν μια αλυσίδα δεν έχει τανυστεί ή λιπανθεί σωστά, κινδυνεύει να σπάσει ή να αυξήσει την πιθανότητα λακτώματος (κλωστήματος).

- ♦ **Φροντίστε οι λαβές να είναι στεγνές, καθαρές και χωρίς λάδια ή γράσα.** Λαβές με γράσα και λάδια είναι γλιστερές και προκαλούν την απώλεια ελέγχου.
- ♦ **Το εργαλείο προορίζεται αποκλειστικά για την κοπή ξύλου.** Μη χρησιμοποιείτε το αλυσοπρίονο για εργασίες για τις οποίες δεν προορίζεται. Για παράδειγμα: μη χρησιμοποιείτε αυτό το αλυσοπρίονο για κοπή πλαστικών, τοιχοποιία ή μη-ξύλινα υλικά κατασκευής. Η χρήση του αλυσοπρίονου για άλλες εκτός από τις προβλεπόμενες εργασίες μπορεί να δημιουργήσει επικίνδυνες καταστάσεις.

Αιτίες και αποφυγή κλωστήματος:

Μπορεί να παρατηρηθεί κλότσημα όταν η μύτη ή το άκρο της μπάρας οδηγού έρθει σε επαφή με ένα αντικείμενο ή όταν το ξύλο περισφίξει και μαγκώσει την αλυσίδα μέσα στην τομή.

Η επαφή του άκρου με ένα αντικείμενο μπορεί σε ορισμένες περιπτώσεις να προκαλέσει απότομη αντίστροφη κίνηση, κλωτώντας την μπάρα οδηγού προς τα πάνω και προς τα πίσω προς το μέρος του χειριστή.

Το μάγκωμα της αλυσίδας του εργαλείου κατά μήκος του πάνω μέρους της μπάρας οδηγού μπορεί να στρώξει γρήγορα προς τα πίσω την μπάρα οδήγησης προς το μέρος του χειριστή.

Μία από αυτές τις αντιδράσεις μπορεί να σας κάνει να χάσετε τον έλεγχο του αλυσοπρίονου με κίνδυνο σοβαρού τραυματισμού. Μη βασίζεστε αποκλειστικά στις διατάξεις ασφαλείας που διαθέτει το αλυσοπρίονό σας. Ως χρήστης αλυσοπρίονου, θα πρέπει να παίρνετε ορισμένες προφυλάξεις για να αποφύγετε τα ατυχήματα και τους τραυματισμούς κατά τη διάρκεια των εργασιών κοπής που εκτελείτε.

Το κλότσημα αποτελεί συνέπεια ενός εσφαλμένου ή ελλιπούς χειρισμού του αλυσοπρίονου. Μπορεί να αποφευχθεί με κατάλληλα προληπτικά μέτρα, όπως αυτά που περιγράφονται παρακάτω.

- ◆ **Κρατάτε γερά το αλυσοπρίονο, με τους αντίχειρες και τα δάχτυλα να περικλείουν την λαβή του αλυσοπρίονου. Να κρατάτε το αλυσοπρίονο και με τα δυο σας χέρια και να δίνετε στο σώμα και στους βραχίονές σας μια θέση, στην οποία θα μπορέσετε να αντιμετωπίσετε τυχόν αντιδραστικές δυνάμεις (κλότσηματα).** Όταν έχουν ληφθεί κατάλληλα προληπτικά μέτρα, ο χειριστής μπορεί να αντιμετωπίσει με επιτυχία το κλότσημα. Μην αφήνετε ελεύθερο το αλυσοπρίονο.
- ◆ **Μην τεντώνεστε και μην κόβετε πάνω από το ύψος του ώμου σας.** Αυτό βοηθάει στην αποφυγή της αθέλητης επαφής του άκρου με άλλο αντικείμενο και επιτρέπει τον καλύτερο έλεγχο του αλυσοπρίονου σε απρόοπτες καταστάσεις.
- ◆ **Χρησιμοποιείτε αποκλειστικά τις ανταλλακτικές ράβδους και αλυσίδες που καθορίζονται από τον κατασκευαστή.** Ακατάλληλες ανταλλακτικές μπάρες οδηγού και αλυσίδες μπορεί να προκαλέσουν το σπάσιμο της αλυσίδας ή/και το κλότσημα του εργαλείου.
- ◆ **Να ακολουθείτε πάντα τις οδηγίες του κατασκευαστή σχετικά με το ακόνισμα και τη συντήρηση της αλυσίδας του εργαλείου.** Η μείωση του ύψους του ρυθμιστή βάθους κοπής μπορεί να οδηγήσει σε αύξηση του κλότσηματος.

Συστάσεις ασφαλείας για το αλυσοπρίονο

- ◆ Συνιστάται σε όσους χρησιμοποιούν αλυσοπρίονο για πρώτη φορά να λαμβάνουν πρακτικές οδηγίες για τη χρήση και τον προστατευτικό εξοπλισμό από έναν πεπειραμένο χρήστη. Θα πρέπει να γίνεται εξάσκηση στην κοπή κορμών πάνω σε καβαλέτο ή ικρίωμα.
- ◆ Όταν μετακινείτε το αλυσοπρίονο, να βεβαιώνετε ότι το φρένο έχει εμπλακεί.
- ◆ Διατηρείτε το αλυσοπρίονό σας σε καλή κατάσταση όταν δεν το χρησιμοποιείτε. Όταν φυλάσσετε το αλυσοπρίονο σας για μεγάλο χρονικό διάστημα πρέπει να αφαιρείτε την αλυσίδα και την μπάρα οδήγησης και να τα φυλάσσετε μέσα σε λάδι. Φυλάσσετε όλα τα εξαρτήματα του αλυσοπρίονου σε ένα ξηρό, ασφαλές μέρος μακριά από τα παιδιά.
- ◆ Συνιστάται να στραγγίσετε το δοχείο λαδιού πριν από την φύλαξη.

- ◆ Βεβαιωθείτε ότι πατάτε καλά και σταθερά και προβλέψτε ένα δρόμο διαφυγής από το δέντρο ή τα κλαδιά που θα πέσουν.
- ◆ Χρησιμοποιήστε σφήνες για να ελέγξετε καλύτερα την κοπή και να αποφύγετε την εμπλοκή της αλυσίδας και της μπάρας οδηγού μέσα στην τομή.
- ◆ Φροντίδα της αλυσίδας του πριονιού. Διατηρείτε την αλυσίδα αιχμηρή και σφιχτή πάνω στην μπάρα οδηγού. Βεβαιωθείτε ότι η αλυσίδα και η μπάρα οδηγού είναι καθαρές και καλά λαδωμένες. Φροντίστε οι λαβές να είναι στεγνές, καθαρές και χωρίς λάδια ή γράσα.

Κλότσημα προκαλείται στις παρακάτω περιπτώσεις:

- ◆ Αν χτυπήσετε κλαδιά ή άλλα αντικείμενα τυχαία με μια αιχμή του πριονιού ενώ η αλυσίδα κινείται.
- ◆ Αν χτυπήσετε μέταλλο,τσιμέντο ή άλλο σκληρό υλικό που βρίσκεται κοντά στο ξύλο ή χωμμένο μέσα στο ξύλο.
- ◆ Αν η αλυσίδα δεν είναι αιχμηρή ή αν είναι χαλαρή.
- ◆ Αν κόβετε πάνω από το ύψος του ώμου.
- ◆ Αν δεν προσέχετε όταν κρατάτε ή καθοδηγείτε το αλυσοπρίονο κατά την διάρκεια της κοπής.
- ◆ Αν δεν φτάνετε καλά το σημείο που θέλετε να κόψετε. Φροντίστε πάντοτε να έχετε την κατάλληλη στάση και να διατηρείτε την ισορροπία σας και να μην προσπαθείτε να κόψετε σημεία που δεν φτάνετε καλά.
- ◆ Μην προσπαθήσετε να το εισάγετε σε παλιότερη κοπή. Θα μπορούσε να προκληθεί κλότσημα της μηχανής. Κάντε μια νέα κοπή κάθε φορά.
- ◆ Συνιστάται να μην προσπαθήσετε να λειτουργήσετε το αλυσοπρίονο όταν στέκεστε πάνω σε δέντρο, κινητή σκάλα ή άλλες ασταθείς επιφάνειες. Αν αποφασίσετε να το κάνετε, να γνωρίζετε ότι αυτές οι θέσεις είναι πάρα πολύ επικίνδυνες.
- ◆ Όταν κόβετε ένα κλαδί που είναι υπό πίεση, να προσέχετε να μην σας χτυπήσει όταν απελευθερωθεί από την πίεση και πεταχτεί προς τα πίσω.

Μην κόβετε:

- ◆ Έτοιμη ξυλεία.
- ◆ Το έδαφος.
- ◆ Φράχτες από συρματόπλεγμα, καρφιά κτλ.

- ◆ Μικρούς θάμνους και δενδρύλλια γιατί τα λεπτά υλικά μπορεί να πιαστούν στην αλυσίδα και να πιναχτούν προς εσάς ή να σας κάνουν να χάσετε την ισορροπία σας.
- ◆ Μη χρησιμοποιείτε το αλυσοπρίονο πάνω από το ύψος του ώμου σας.
- ◆ Βεβαιωθείτε πως υπάρχει κάποιος κοντά (αλλά σε απόσταση ασφαλείας) για την περίπτωση ατυχήματος.
- ◆ Αν για οποιονδήποτε λόγο πρέπει να ακουμπήσετε την αλυσίδα, βεβαιωθείτε ότι το αλυσοπρίονο είναι αποσυνδεδεμένο από την παροχή ρεύματος.
- ◆ Ο θόρυβος που προκαλείται από το προϊόν αυτό μπορεί να ξεπεράσει τα 85 dB(A).
- ◆ Επομένως σας συνιστούμε να λαμβάνετε τα απαραίτητα μέτρα για την προστασία της ακοής σας.

Το εργαλείο φέρει τα παρακάτω προειδοποιητικά σύμβολα:



Διαβάστε ολόκληρο το εγχειρίδιο προσεκτικά.



Μη χρησιμοποιείτε το πριόνι σε υγρές συνθήκες και μην το εκθέτετε στη βροχή.



Να φοράτε πάντα προστατευτικά γυαλιά και ωασπίδες.



Ελέγχετε την τάνυση της αλυσίδας μετά από κάθε 10 λεπτά χρήσης. Ρυθμίζετε τη

ξανά σε διάκενο 3 mm.



Να βγάξετε πάντα το βύσμα από την πρίζα πριν ελέγξετε ένα φθαρμένο καλώδιο. Προσέξτε να μην χρησιμοποιήσετε το αλυσοπρίονο αν το καλώδιο έχει φθαρεί ή καταστραφεί.



Ο θόρυβος που προκαλείται από το προϊόν αυτό μπορεί να ξεπεράσει τα 85 dB(A).

Ασφαλής χρήση του ηλεκτρικού ρεύματος



Αυτό το εργαλείο φέρει διπλή μόνωση, επομένως δεν απαιτείται σύρμα γείωσης. Ελέγχετε πάντοτε αν η τάση τροφοδοσίας αντιστοιχεί σε αυτήν που αναγράφεται στην πινακίδα στοιχείων του εργαλείου.

Πρόσθετες οδηγίες ασφαλείας

- ◆ Αυτό το εργαλείο δεν πρέπει να χρησιμοποιηθεί από νέους ή αδύναμα άτομα χωρίς επιτήρηση. Τα παιδιά πρέπει να επιτηρούνται για να είστε σίγουροι ότι δεν παίζουν με το εργαλείο.
- ◆ Αν το καλώδιο ρεύματος έχει υποστεί φθορά, η αντικατάστασή του πρέπει να γίνει από τον κατασκευαστή ή από ένα εξουσιοδοτημένο κέντρο της Black & Decker, ώστε να μην αποτελέσει κίνδυνο.

Λάβετε τις κατάλληλες προφυλάξεις για το ενδεχόμενο ηλεκτροπληξίας.

- ◆ Αποφύγετε τη σωματική επαφή με γειωμένες ή συνδεδεμένες με το έδαφος επιφάνειες (π.χ. μεταλλικά κιγκλιδώματα, λάμπες κ.λπ.). Η ασφάλεια έναντι ηλεκτροπληξίας μπορεί να βελτιωθεί ακόμα περισσότερο αν χρησιμοποιηθεί διάταξη παραμένουτος ρεύματος (RCD) υψηλής ευαισθησίας (30 mA / 30 mS).

Προειδοποίηση! Η χρήση μιας διάταξης RCD ή μιας άλλης μονάδας διακοπής κυκλώματος δεν απαλλάσσει το χρήστη του αλυσοπριονίου από την τήρηση των οδηγιών ασφαλείας και των ασφαλών πρακτικών εργασίας που παρέχονται σε αυτό το εγχειρίδιο χρήσης.

Χαρακτηριστικά

1. Διακόπτης on/off
2. Διακόπτης απασφάλισης
3. Πώμα λαδιού
4. Πρόσθιος προφυλακτήρας/φρένο αλυσίδας
5. Βίδα ρύθμισης τάνυσης αλυσίδας
6. Αλυσίδα
7. Μπάρα οδηγού
8. Θήκη αλυσίδας
9. Πόμολο καλύμματος αλυσίδας
10. Διάταξη καλύμματος αλυσίδας
11. Δείκτης στάθμης λαδιού

ΣΥΝΑΡΜΟΛΟΓΗΣΗ**Λάδωμα της αλυσίδας (εικ. Α)**

Πρέπει να το κάνετε όποτε χρησιμοποιείτε μια καινούργια αλυσίδα (6) για πρώτη φορά. Βγάλτε την καινούργια αλυσίδα (6) από την πλαστική σακούλα και μουσκέψτε την σε λάδι για αλυσίδες για τουλάχιστον μια ώρα πριν την χρησιμοποιήσετε. Χρησιμοποιείτε λάδι για αλυσίδες Black & Decker

Συνιστάται να χρησιμοποιείτε την ίδια μάρκα λαδιού καθ' όλη τη διάρκεια ζωής της αλυσίδας σας καθώς μίγματα διαφορετικών λαδιών μπορεί να μειώσουν την ποιότητα του λαδιού, με αποτέλεσμα τη σοβαρή μείωση της διάρκειας ζωής της αλυσίδας.

Ποτέ μην χρησιμοποιείτε χρησιμοποιημένα λάδια, παχύ λάδι ή πολύ λεπτόρρευστο λάδι ραπτομηχανής. Μπορεί να προκαλέσουν βλάβη στο αλυσοπρίονο σας.

Τοποθέτηση της μπάρας οδηγού και της αλυσίδας (εικ. Α - F)

Προειδοποίηση! Να φοράτε πάντα προστατευτικά γάντια όταν πραγματοποιείτε εργασίες στο αλυσοπρίονο.

- ♦ Τοποθετήστε το αλυσοπρίονο πάνω σε σταθερή επιφάνεια.
- ♦ Χαλαρώστε και αφαιρέστε το περιστρεφόμενο κουμπί του καλύμματος της αλυσίδας (9) (εικ. Α).
- ♦ Ρυθμίστε τον πρόσθιο προφυλακτήρα στη θέση του ① (εικ. C).
- ♦ Αφαιρέστε το κάλυμμα της αλυσίδας (10).
- ♦ Τοποθετήστε την αλυσίδα (6) πάνω στην μπάρα οδηγού (7) και βεβαιωθείτε πως οι λεπίδες της αλυσίδας στο πάνω τμήμα της

μπάρας οδηγού (7) είναι στραμμένες προς τα εμπρός (εικ. Β).

- ♦ Οδηγήστε την αλυσίδα (6) γύρω από την μπάρα οδηγού (7) και τραβήξτε την για να δημιουργήσετε μια θηλιά από τη μία πλευρά στο πίσω μέρος της μπάρας οδηγού (7).
- ♦ Τοποθετήστε την αλυσίδα (6) και την μπάρα οδηγού (7) πάνω στο αλυσοπρίονο. Οδηγήστε την αλυσίδα (6) γύρω από την οδόντωση κίνησης (12). Τοποθετήστε την μπάρα οδηγού (7) πάνω στα πριτσίνια (13). Βεβαιωθείτε ότι το συρόμενο παξιμάδι στήριξης (14) βρίσκεται μέσα στην οπή τάνυσης (15) (εικ. Ε).
- ♦ Ελέγξτε ότι το σύστημα φρένο αλυσίδας (4) βρίσκεται στη ρυθμισμένη θέση ① πριν την επανατοποθέτηση (εικ. C).
- ♦ Τοποθετήστε το κάλυμμα της αλυσίδας (10) πάνω στο αλυσοπρίονο.
- ♦ Τοποθετήστε το περιστρεφόμενο κουμπί του καλύμματος της αλυσίδας (9) και σφίξτε το με τα δάκτυλά σας.
- ♦ Γυρίστε τη βίδα ρύθμισης της τάνυσης αλυσίδας (5) (εικ.Ε) προς τα δεξιά μέχρι να σφίξει η αλυσίδα (6). Βεβαιωθείτε ότι η αλυσίδα (6) έχει εφαρμόσει καλά γύρω από την μπάρα οδηγού (7). Μην τεντώνεστε.
- ♦ Σφίξτε το περιστρεφόμενο κουμπί του καλύμματος αλυσίδας (9).

Έλεγχος και ρύθμιση της τάνυσης αλυσίδας (εικ. F & G)

- ♦ Να ελέγχετε την τάνυση της αλυσίδας πριν από την χρήση και μετά από κάθε 10 λεπτά χρήσης.
- ♦ Τραβήξτε ελαφρά την αλυσίδα (6) όπως υποδεικνύεται (εικ. G). Η τάνυση έχει ρυθμιστεί σωστά όταν η αλυσίδα (6) επανέρχεται αμέσως στη θέση της, αφού τραβηχτεί σε απόσταση 3 mm από την μπάρα οδηγού (7). Δεν πρέπει να υπάρχει «κοιλιά» μεταξύ της μπάρας οδηγού (7) και της αλυσίδας (6) στην κάτω πλευρά.

Σημείωση: Μην σφίγγετε υπερβολικά την αλυσίδα (6) καθώς αυτό μπορεί να προκαλέσει υπερβολική φθορά και μείωση της διάρκειας ζωής της μπάρας οδηγού (7) και της αλυσίδας (6).

Σημείωση: Όταν η αλυσίδα (6) είναι καινούρια, να ελέγχετε συχνά την τάνυση (αφού αποσυνδέστε το αλυσοπρίονο από την παροχή ρεύματος) κατά τις πρώτες 2 ώρες χρήσης καθώς μια καινούργια αλυσίδα (6) πρέπει τεντώνεται ελαφρώς.

Για να αυξήσετε την τάνυση:

- ♦ Γυρίστε τη βίδα ρύθμισης της τάνυσης αλυσίδας (5a) προς τα δεξιά.

Γέμισμα του δοχείου λαδιού (εικ. F)

- ♦ Αφαιρέστε το πώμα λαδιού (3) και γεμίστε το δοχείο με το συνιστώμενο λάδι για αλυσίδες. Μπορείτε να δείτε το επίπεδο του λαδιού στην ένδειξη στάθμης λαδιού (11). Τοποθετήστε ξανά το πώμα λαδιού (3).
- ♦ Κατά περιόδους να θέτετε εκτός λειτουργίας το μηχανήμα και να ελέγχετε το λάδι από τον δείκτη στάθμης λαδιού, αν είναι γεμάτο λιγότερο από ένα τέταρτο, αποσυνδέστε το αλυσοπρίονο από την πρίζα και αναπληρώστε με το σωστό λάδι.

Φρένο αυτόματης στάσης της αλυσίδας (εικ. C)

- ♦ Το εργαλείο αυτό είναι εξοπλισμένο με ένα σύστημα φρένου (4) αυτόματης στάσης της αλυσίδας που σταματάει την αλυσίδα (6) εντός 150ms όταν αφήνετε την πίσω σκανδάλη ή όταν προκύπτει κλότσημα της μηχανής. Ελέγχετε τη διάταξη του φρένου αλυσίδας (4) πριν από κάθε χρήση.

Ρύθμιση του φρένου αλυσίδας (εικ. C)

- ♦ Βεβαιωθείτε ότι το εργαλείο είναι αποσυνδεδεμένο από την παροχή ρεύματος.
- ♦ Τραβήξτε τον προφυλακτήρα / φρένο αλυσίδας (4) πίσω στη θέση "ρύθμισης" με την ένδειξη ① (εικ. C).

Το εργαλείο είναι τώρα έτοιμο για χρήση.

Λειτουργία του φρένου αλυσίδας κατά του κλοτσήματος της μηχανής

Σε περίπτωση κλοτσήματος της μηχανής, το αριστερό σας χέρι έρχεται σε επαφή με τον πρόσθιο προφυλακτήρα, πιέζοντάς τον προς τα εμπρός, προς το επεξεργαζόμενο αντικείμενο και σταματά το εργαλείο εντός 150 ms.

Λειτουργία του φρένου αλυσίδας όταν ενεργοποιείται από την αδράνεια

Το σύστημα πρόσθιου προφυλακτήρα /φρένου αλυσίδας (4)ενεργοποιείται όταν ο πρόσθιος προφυλακτήρας χεριού σπρώχνεται προς τα εμπρός, είτε από το πίσω μέρος του χεριού του χρήστη είτε από το ίδιο του το βάρος. Το πλεονέκτημα του φρένου αδράνειας είναι ότι ενεργοποιείται από σοβαρό κλότσημα μηχανής, π.χ. όταν η αλυσίδα (6) χτυπά μέταλλο, ακόμα και αν το χέρι του χρήστη δεν έρθει σε επαφή με τον

πρόσθιο προφυλακτήρα, δηλαδή όταν το πριόνι είναι στη θέση κοπής δέντρου.

Ρύθμιση του φρένου αλυσίδας κατά του κλοτσήματος της μηχανής (εικ. C)

- ♦ Πιάστε γερά το εργαλείο και με τα δύο χέρια πάνω σε μια σταθερή επιφάνεια – βεβαιωθείτε ότι η αλυσίδα (6) δεν ακουμπάει στο έδαφος και θέστε το σε λειτουργία (βλ. «Πώς να θέσετε το αλυσοπρίονο σε λειτουργία»).
- ♦ Περιστρέψτε το αριστερό σας χέρι προς τα εμπρός γύρω από την πρόσθια λαβή ώστε το πίσω μέρος του χεριού σας να έρχεται σε επαφή με τον πρόσθιο προφυλακτήρα και να τον σπρώχνει προς τα εμπρός, προς το μέρος του επεξεργαζόμενου αντικειμένου (εικ. G). Η αλυσίδα πρέπει (6) να σταματήσει σε δέκατα δευτερολέπτου.

Για την επαναρύθμιση μετά τη λειτουργία του συστήματος προφυλακτήρα/φρένου αλυσίδας (4):

- ♦ Ακολουθήστε τις σχετικές οδηγίες για το "Ρύθμιση του φρένου αλυσίδας".

Σημείωση: Δεν είναι δυνατή η ενεργοποίηση του εργαλείου εάν ο πρόσθιος προφυλακτήρας / φρένο αλυσίδας (4) δεν βρίσκεται στη θέση "set" ①.

Σημείωση: Μην επανεκκινήσετε το εργαλείο εάν δεν ακούσετε ότι ο κινητήρας έχει ακινητοποιηθεί τελείως.

Σημείωση: Αν η αλυσίδα (6) δεν ακινητοποιηθεί αμέσως τότε αυτό σημαίνει ότι χρειάζεται τάνυση (βλ. «Τοποθέτηση της μπάρας οδηγού και της αλυσίδας»).

Πώς να θέσετε το εργαλείο σε λειτουργία (εικ.. F)

- ♦ Πιάστε γερά το αλυσοπρίονό σας και με τα δύο χέρια. Πιέστε το κουμπί απασφάλισης (2) προς τα εμπρός και πιέστε τον διακόπτη on/off (1) για να τεθεί σε λειτουργία.
- ♦ μετά την εκκίνηση του μοτέρ, απομακρύνετε τον αντίχειρά σας από το μπουτόν ασφάλισης (2) και πιάστε γερά την λαβή.

Μην ζορίζετε το εργαλείο – αφήστε το να κάνει την δουλειά.

Θα λειτουργήσει καλύτερα και ασφαλέστερα στην ταχύτητα για την οποία έχει σχεδιαστεί. Η άσκηση υπερβολικής δύναμης καταπονεί την αλυσίδα (6).

Σε περίπτωση εμπλοκής της αλυσίδας (6) ή της μπάρας οδηγού (7):

- ◆ Σβήστε το εργαλείο.
- ◆ Αποσυνδέστε το εργαλείο από την πρίζα.
- ◆ Ανοίξτε την τομή με σφήνες για να μειώσετε την ένταση πάνω στην μπάρα οδηγού (7). Μην προσπαθήσετε να τραβήξετε απότομα το αλυσοπρίονο για να το απελευθερώσετε. Ξεκινήστε μια νέα κοπή.

Κοπή δέντρων (εικ. Η - J)

Οι μη πεπειραμένοι χρήστες δεν πρέπει να επιχειρούν να κόψουν δέντρα. Ο χρήστης μπορεί να υποστεί προσωπική βλάβη ή υλική ζημία λόγω αποτυχίας ελέγχου της κατεύθυνσης πτώσης, το δέντρο μπορεί να σχιστεί ή να καταστραφεί / νεκρά κλαδιά μπορεί να πέσουν κατά την κοπή. Η απόσταση ασφαλείας ανάμεσα στο δέντρο που θα κοπεί και τους παρευρισκόμενους, κτίρια και άλλα αντικείμενα πρέπει να είναι τουλάχιστον 2 ½ φορές το ύψος του δέντρου. Κάθε παρευρισκόμενος, κτίριο ή αντικείμενο που βρίσκεται μέσα σ'αυτή την απόσταση βρίσκεται σε κίνδυνο χτυπήματος από το δέντρο όταν κόβεται.

Πριν επιχειρήσετε να κόψετε ένα δέντρο:

- ◆ Βεβαιωθείτε ότι δεν υπάρχουν τοπικοί νόμοι ή κανονισμοί που απαγορεύουν ή περιορίζουν το κόψιμο των δέντρων.
- ◆ Λάβετε υπόψη όλες τις συνθήκες που μπορούν να επηρεάσουν τη κατεύθυνση πτώσης, συμπεριλαμβανομένων:
 - ◆ Της επιθυμητής κατεύθυνσης της πτώσης.
 - ◆ Της φυσικής κλίσης του δέντρου.
 - ◆ Οποιοδήποτε δομικό χαρακτηριστικό του κλαδιού με μεγάλο βάρος ή τυχόν σημείο σήψης.
 - ◆ Των γύρω δέντρων και εμποδίων, συμπεριλαμβανομένων των αναρτημένων συρμάτων, σχοινιών, καλωδίων κ.λπ. και των υπόγειων αγωγών που υπάρχουν στο χώρο.
 - ◆ Της ταχύτητας και της διεύθυνσης του ανέμου.

Σχεδιάστε μια ασφαλή διαφυγή από το δέντρο ή τα κλαδιά του καθώς πέφτουν. Βεβαιωθείτε ότι το δρόμος διαφυγής δεν έχει εμπόδια τα οποία θα μπορούσαν να εμποδίσουν την απομάκρυνση. Έχετε υπόψη ότι το υγρό γρασίδι και ο φλοιός δέντρου που έχει κοπεί πρόσφατα είναι ολισθηρά.

Μην επιχειρείτε να κόψετε δέντρα των οποίων η διάμετρος είναι μεγαλύτερη από το μήκος κοπής του αλυσοπρίονου.

Πραγματοποιείται μια κατευθυντήρια τομή για τον προσδιορισμό της κατεύθυνσης πτώσης.

Γίνεται μια οριζόντια τομή σε βάθος από 1/5 έως 1/3 της διαμέτρου του δέντρου, κάθετη στη γραμμή πτώσης στη βάση του δέντρου (εικ. Η). Η δεύτερη τομή γίνεται από τα πάνω για να διασταυρωθεί με την πρώτη και να σχηματίσει μια τομή των 45° περίπου.

Κάντε μία οριζόντια κοπή από την άλλη πλευρά 4-5 εκατοστά πάνω από το κέντρο της κατευθυντήριας τομής. (εικ. Ι) Μην κόβετε μέσα στην κατευθυντήρια τομή, θα μπορούσατε να χάσετε τον έλεγχο της κατεύθυνσης πτώσης.

Τοποθετήστε μια ή περισσότερες σφήνες σε αυτήν την κοπή για να την ανοίξετε και να κάνετε το δέντρο να πέσει (εικ. J).

Κλάδεμα δέντρων

Βεβαιωθείτε ότι δεν υπάρχουν τοπικοί νόμοι ή κανονισμοί που απαγορεύουν ή περιορίζουν το κλάδεμα των κλαδιών των δέντρων. Το κλάδεμα θα πρέπει να αναλαμβάνεται μόνο από πεπειραμένα άτομα, ειδάλλως αυξάνεται ο κίνδυνος από την εμπλοκή της αλυσίδας και το κλότσημα του αλυσοπρίονου.

Πριν το κλάδεμα λάβετε υπόψη όλες τις συνθήκες που μπορούν να επηρεάσουν την κατεύθυνση πτώσης, συμπεριλαμβανομένων

- ◆ Του μήκους και του βάρους του κλαδιού που θα κοπεί.
- ◆ Οποιοδήποτε δομικό χαρακτηριστικό του κλαδιού με μεγάλο βάρος ή τυχόν σημείο σήψης.
- ◆ Των γύρω δέντρων και εμποδίων, συμπεριλαμβανομένων των αναρτημένων συρμάτων, σχοινιών, καλωδίων κ.λπ. που υπάρχουν στο χώρο.
- ◆ Της ταχύτητας και της διεύθυνσης του ανέμου.
- ◆ Της εμπλοκής των κλαδιών με άλλα κλαδιά.

Ο χειριστής πρέπει να εξετάζει την πρόσβαση στο κλαδί του δέντρου και την κατεύθυνση πτώσης. Τα κλαδιά του δέντρου μπορεί να αιωρηθούν προς το κορμό του δέντρου. Εκτός από τον χρήστη, κάθε παρευρισκόμενος, κτίριο ή αντικείμενο κάτω από το κλαδί εκτίθεται σε κίνδυνο.

Πρώτα, κόψτε κατά ένα τρίτο από κάτω προς τα πάνω για να αποφύγετε την δημιουργία σχιζών, και δεύτερον, κόψτε από πάνω προς τα κάτω έως να συναντήσετε την πρώτη κοπή.

Κοπή δέντρου σε τεμάχια (εικ. Κ, Λ & Μ)

Ο τρόπος κοπής εξαρτάται από τον τρόπο στήριξης του κορμού. Να χρησιμοποιείτε καβαλέτο όποτε είναι δυνατόν. Να ξεκινάτε να κόβετε πάντα με την αλυσίδα (6) σε λειτουργία και τον ακιδωτό προφυλακτήρα (17) σε επαφή με το ξύλο (εικ. Κ). Για να ολοκληρώσετε την κοπή χρησιμοποιήστε την περιστροφική κίνηση του ακιδωτού προφυλακτήρα πάνω στο ξύλο.

Όταν στηρίζεται σε όλο το μήκος του:

- ◆ Κάντε μια κοπή προς τα κάτω, αποφεύγοντας να ακουμπήσετε το έδαφος καθώς αυτό θα στομώσει την αλυσίδα σας πολύ γρήγορα.

Όταν στηρίζεται στα δύο άκρα:

- ◆ Πρώτα, κόψτε κατά ένα τρίτο προς τα κάτω για να αποφύγετε την δημιουργία σχιζών, και δεύτερον, κόψτε πάλι έως να συναντήσετε την πρώτη κοπή,

Όταν στηρίζεται στο ένα άκρο:

- ◆ Πρώτα, κόψτε κατά ένα τρίτο προς τα πάνω για να αποφύγετε την δημιουργία σχιζών, και δεύτερον, κόψτε πάλι έως να συναντήσετε την πρώτη κοπή

Σε κλίση (εικ. Λ):

- ◆ Να στέκεστε πάντα από την πάνω μεριά.

Όταν χρησιμοποιείτε καβαλέτο (εικ. Μ).

Συνιστάται όποτε είναι δυνατόν.

- ◆ Τοποθετήστε τον κορμό σε μια σταθερή θέση. Να κόβετε πάντα από την εξωτερική πλευρά των στηριγμάτων του καβαλέτου. Χρησιμοποιείτε σφιγκτήρες ή λουριά για να ασφαλίσετε το επεξεργαζόμενο αντικείμενο.

Όταν επιχειρείτε να κόψετε έναν κορμό πάνω στο έδαφος ασφαλίστε το αντικείμενο προς επεξεργασία με τάκους ή σφήνες. Ο χρήστης ή τυχόν παρευρισκόμενα άτομα δεν πρέπει να κάθονται ή να στέκονται πάνω στον κορμό για να τον σταθεροποιήσουν. Ελέγξτε ότι η αλυσίδα δεν έρχεται σε επαφή με το έδαφος.

Συντήρηση

Η τακτική συντήρηση εξασφαλίζει μεγάλη διάρκεια ζωής του εργαλείου. Συνιστάται να πραγματοποιείτε τους ακόλουθους ελέγχους σε τακτική βάση.

Στάθμη λαδιού

Η στάθμη στο δοχείο δεν πρέπει να πέφτει κάτω από το ένα τέταρτο γεμάτο.

Αλυσίδα και μπάρα οδηγού (εικ. G)

- ◆ Μετά από λίγες ώρες χρήσης, αφαιρέστε την μπάρα οδηγού (7) και την αλυσίδα (6) και πλύνετε τα επιμελώς.
- ◆ Όταν το συναρμολογείτε πάλι, η μπάρα οδηγού (7) πρέπει να στραφεί κατά 180° και η άκρη της οδόντωσης να λιπανθεί μέσω της οπής λίπανσης της οδόντωσης (16). Έτσι εξασφαλίζεται η ομοιόμορφη κατανομή της φθοράς γύρω από τις ράγες της μπάρας οδηγού.

Ακόνισμα της αλυσίδας του πριονιού.

Για την καλύτερη δυνατόν απόδοση του εργαλείου, είναι σημαντικό να κρατάτε τα δόντια της αλυσίδας ακονισμένα. Οι οδηγίες για αυτήν την διαδικασία βρίσκονται στο πακέτο του ακονιστή. Για τον σκοπό αυτό συνιστάται να αγοράσετε το σετ ακονίσματος αλυσίδας πριονιού της Black & Decker (διατίθεται στα εξουσιοδοτημένα κέντρα επισκευών και επιλεγμένους αντιπροσώπους).

Αντικατάσταση των φθαρμένων αλυσίδων

Τα εξουσιοδοτημένα κέντρα επισκευών της Black & Decker διαθέτουν ανταλλακτικές αλυσίδες. Να χρησιμοποιείτε πάντα γνήσια ανταλλακτικά.

Ικανότητα κοπής της αλυσίδας πριονιού

Οι κόφτες της αλυσίδας θα στομώσουν αμέσως εάν έρθουν σε επαφή με το έδαφος ή ένα καρφι κατά τη διάρκεια της κοπής.

Τάση της αλυσίδας πριονιού

Να ελέγχετε τακτικά την τάση της αλυσίδας.

Αν το αλυσοπρίονο χρειάζεται επισκευή.

Το αλυσοπρίονό σας πληροί τις σχετικές προδιαγραφές ασφαλείας. Οι επισκευές θα πρέπει να γίνονται μόνο από ειδικευμένους τεχνικούς και με τη χρήση αποκλειστικά γνήσιων ανταλλακτικών, διαφορετικά υπάρχει το ενδεχόμενο σοβαρού κινδύνου για το χρήστη. Συνιστάται να φυλάσσετε αυτό το εγχειρίδιο χρήσης σε ένα ασφαλές μέρος.

Αντικατάσταση του ρευματολήπτη (H.B. & Ιρλανδία μόνο)

Αν χρειαστεί να εγκαταστήσετε ένα καινούριο ρευματολήπτη (φίς):

- ◆ Αφαιρέστε με ασφαλή τρόπο το παλιό φίς.
- ◆ Συνδέστε τον καφέ αγωγό στον ηλεκτροφόρο ακροδέκτη του νέου ρευματολήπτη.
- ◆ Συνδέστε τον μπλε αγωγό στον ουδέτερο ακροδέκτη.

Προειδοποίηση! Δεν χρειάζεται καμία σύνδεση στον ακροδέκτη γείωσης. Ακολουθήστε τις οδηγίες τοποθέτησης που παρέχονται με τις καλές ποιότητας ρευματολήπτες (φίς). Προτεινόμενη ασφάλεια τήξης: 10 Α.

Προστασία του περιβάλλοντος



Στην περίπτωση που κάποτε διαπιστώσετε ότι πρέπει να αντικαταστήσετε το εργαλείο ή ότι δεν σας είναι πλέον χρήσιμο, μην ξεχνάτε την ανάγκη προστασίας του περιβάλλοντος. Τα κέντρα επισκευών της Black & Decker παραλαμβάνουν

παλαιά εργαλεία Black & Decker και φροντίζουν για την απόρριψή τους με ασφαλή για το περιβάλλον τρόπο.



Η ανεξάρτητη συλλογή των μεταχειρισμένων προϊόντων και των υλικών συσκευασίας δίνει τη δυνατότητα ανακύκλωσης και επαναχρησιμοποίησης των υλικών.

Με την επαναχρησιμοποίηση των ανακυκλωμένων υλικών αποτρέπεται η μόλυνση του περιβάλλοντος και μειώνεται η ζήτηση πρώτων υλών.

Οι κανονισμοί που ισχύουν στην περιοχή σας ενδέχεται να προβλέπουν την επιλεκτική περισυλλογή των ηλεκτρικών συσκευών που προέρχονται από νοικοκυριά σε κρατικές εγκαταστάσεις ή από τον έμπορο όταν αγοράσετε ένα καινούργιο προϊόν.

Η Black & Decker δίνει τη δυνατότητα ανακύκλωσης των προϊόντων της που έχουν συμπληρώσει τη διάρκεια ζωής τους. Για να χρησιμοποιήσετε αυτήν την υπηρεσία, επιστρέψτε το προϊόν σας σε οποιοδήποτε εξουσιοδοτημένο κέντρο επισκευών, όπου θα το παραλάβουν εκ μέρους μας.

Ενημερωθείτε για το πλησιέστερο εξουσιοδοτημένο κέντρο επισκευών της περιοχής σας, επικοινωνώντας με τα γραφεία της Black & Decker στη διεύθυνση που αναγράφεται στο εγχειρίδιο. Επίσης, για να πληροφορηθείτε για τα εξουσιοδοτημένα κέντρα επισκευών της Black & Decker και τους αρμόδιους των υπηρεσιών που παρέχονται μετά την πώληση, μπορείτε να ανατρέξετε στο Διαδίκτυο, στη διεύθυνση: www.2helpU.com.

Τεχνικά χαρακτηριστικά

	GK1730	GK1735	GK1740	GK1930	GK1935	GK1940
Τάση (Vac)	230	230	230	230	230	230
Ισχύς (W)	1700	1700	1700	1850	1850	1850
Ταχύτητα χωρίς φορτίο (min ⁻¹)	5500	5500	5500	5500	5500	5500
Μέγιστο μήκος κοπής (cm)	30	35	40	30	35	40
Χωρητικότητα δοχείου λαδιού (ml)	100	100	100	100	100	100
Βάρος (kg)	5.55	5.65	5.8	5.6	5.7	5.85
Κατηγορία II ασφαλείας	II	II	II	II	II	II

Αριθμός κατάθεσης σχεδίου Ευρωπαϊκής Κοινότητας.
000417274-0001

Δήλωση συμμόρφωσης με την Ευρωπαϊκή Κοινότητα

GK1730; GK1735; GK1740; GK1930;
GK1935; GK1940

H Black & Decker δηλώνει ότι τα προϊόντα αυτά συμμορφώνονται με:
98/37/EK. 89/336/EOK. 73/23/EOK. 2002/96/EK.
2002/95/EK.

EN 50144. EN 55014. EN61000. EN60745
2000/14/EK. Chainsaw _ 1600 w. Παράρτημα V
Ανώτατο επίπεδο ηχητικής πίεσης σύμφωνα με το
πρότυπο 2000/14/EC:

LpA (πίεση ήχου) 94.2 dB(A)

LWA (ακουστική ισχύς) 105.2 dB(A)

LWA (εγγυημένη) 104 dB(A)

Χρησιμοποιείτε πάντα ωιασπίδες εάν η ηχητική
πίεση ξεπερνάει τα 85 dB (A).

Τιμή χειροβραχιονικής δόνησης σύμφωνα με το
πρότυπο EN 60745:
3.5 m/sec²



Kevin Hewitt
Διευθυντής Εξυπηρέτησης
Πελατών
Spennymoor, County
Durham DL16 6JG,
Αγγλία Ηνωμένο Βασίλειο
31-10-2006

Εγγύηση

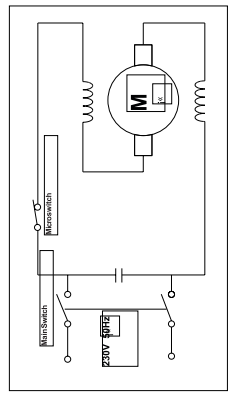
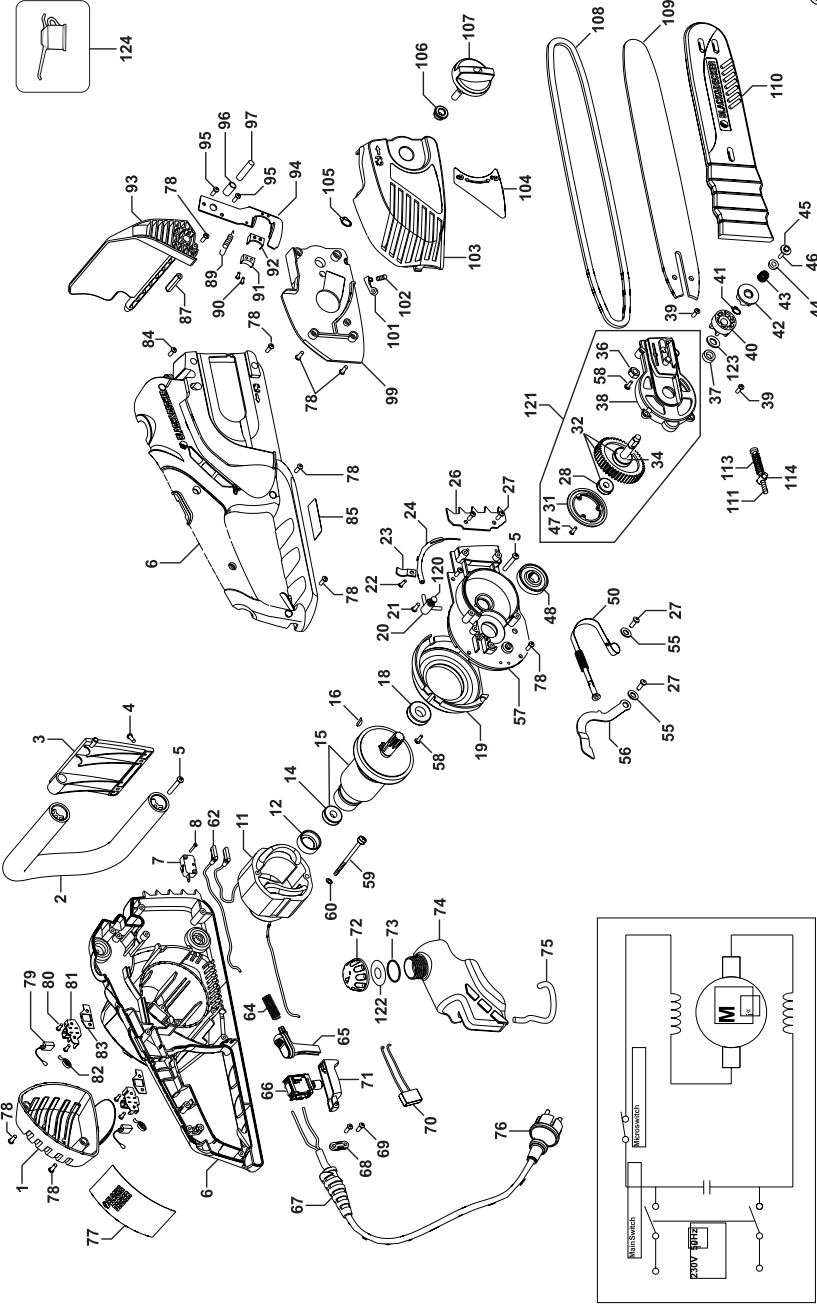
H Black & Decker είναι σίγουρη για την ποιότητα των προϊόντων της και παρέχει σημαντική εγγύηση. Η παρούσα γραπτή εγγύηση αποτελεί πρόσθετο δικαίωμά σας και δεν ζημιώνει τα νόμιμα δικαιώματά σας. Η εγγύηση ισχύει εντός της επικράτειας των Κρατών Μελών της Ευρωπαϊκής Ένωσης και της Ευρωπαϊκής Ζώνης Ελευθέρων Συναλλαγών.

Σε περίπτωση που κάποιο προϊόν της Black & Decker παρουσιάσει βλάβη εξαιτίας ελαττωματικών υλικών, ποιότητας εργασίας ή έλλειψης συμφωνίας με τις προδιαγραφές εντός 24 μηνών από την ημερομηνία αγοράς, η Black & Decker εγγυάται την αντικατάσταση των ελαττωματικών τμημάτων, την επισκευή προϊόντων που έχουν υποστεί εύλογη φθορά λόγω χρήσης ή την αντικατάσταση των προϊόντων προκειμένου να εξασφαλίσει την ελάχιστη ενόχληση στους πελάτες της, εκτός εάν:

- Το προϊόν έχει χρησιμοποιηθεί σε εργασιακό, επαγγελματικό περιβάλλον ή αν έχει ενοικιαστεί.
- Έχει γίνει εσφαλμένη χρήση του προϊόντος ή έχει παραμεληθεί.
- Το προϊόν έχει υποστεί βλάβη από άλλα αντικείμενα, από ουσίες ή λόγω ατυχήματος.
- Έχει γίνει προσπάθεια επισκευής από μη εξουσιοδοτημένα κέντρα επισκευών ή από προσωπικό που δεν ανήκει στο προσωπικό της Black & Decker.

Για να ισχύσει η εγγύηση, πρέπει να υποβάλετε απόδειξη αγοράς στον πωλητή ή το εξουσιοδοτημένο κέντρο επισκευών. Ενημερωθείτε για το πλησιέστερο εξουσιοδοτημένο κέντρο επισκευών της περιοχής σας, επικοινωνώντας με τα γραφεία της Black & Decker στη διεύθυνση που αναγράφεται στο εγχειρίδιο. Επίσης, για να πληροφορηθείτε για τα εξουσιοδοτημένα κέντρα επισκευών της Black & Decker και τους αρμόδιους των υπηρεσιών που παρέχονται μετά την πώληση, μπορείτε να ανατρέξετε στο Διαδίκτυο, στη διεύθυνση: www.2helpU.com

Παρακαλούμε επισκεφθείτε την ιστοσελίδα μας www.blackanddecker.eu για να καταχωρήσετε το νέο σας προϊόν Black & Decker και για να ενημερώνεστε για τα νέα προϊόντα και τις ειδικές προσφορές. Περισσότερες πληροφορίες σχετικά με τη μάρκα Black & Decker και τη σειρά των προϊόντων μας θα βρείτε στη διεύθυνση www.blackanddecker.eu.



©

Australia	Black & Decker (Australia) Pty. Ltd. 20 Fletcher Road, Mooroolbark, Victoria, 3138	Tel. 03-8720 5100 Fax 03-9727 5940
België/Belgique	Black & Decker (Belgium) N.V. Campus Noord, Schaliënhoevedreef 20E 2800 Mechelen	Tel. 015 - 47 92 11 Fax 015 - 47 92 10
Danmark	Black & Decker Sluseholmen 2-4, 2450 København SV Internet: www.blackanddecker.dk	Tel. 70 20 15 30 Fax 36 94 49 01
Deutschland	Black & Decker GmbH Black & Decker Str. 40, D - 65510 Idstein	Tel. 06126/21 - 0 Fax 06126/21 29 80
Ελλάδα	Black & Decker (Ελλάς) A.E. Στράβωνος 7 & Λεωφ. Βουλιαγμένης 159 166 74 Γλυφάδα - Αθήνα	Τηλ. 210 8981616 Τηλ. 210 8982630 Φαξ Service 210 8983285
España	Black & Decker Ibérica, S.C.A. Parque de Negocios "Mas Blau" Edificio Muntadas, c/Bergadá, 1, Of. A6 08820 El Prat de Llobregat (Barcelona)	Tel. 934 797 400 Fax 934 797 419
France	Black & Decker (France) S.A.S. B.P. 21, 69571 Dardilly Cédex	Tel. 04 72 20 39 20 Fax 04 72 20 39 00
Helvetia	ROFO AG Gewerbezone Seeblick 3213 Kleinbödingen	Tel. 026-6749391 Fax 026-6749394
Italia	Black & Decker Italia SpA Viale Elvezia 2 20052 Monza (MI)	Tel. 039-23871 Fax 039-2387592/2387594 Numero verde 800-213935
Nederland	Black & Decker Benelux Joulehof 12, 4622 RG Bergen op Zoom	Tel. 0164 - 283000 Fax 0164 - 283100
New Zealand	Black & Decker 81 Hugo Johnston Drive Penrose, Auckland, New Zealand	Tel. 09 579 7600 Fax 09 579 8200
Norge	Black & Decker (Norge) A/S Postboks 4814, Nydalen, 0422 Oslo Internet: www.blackanddecker.no	Tlf. 22 90 99 00 Fax 22 90 99 01
Österreich	Black & Decker Vertriebsges.m.b.H Erlaaerstraße 165, 1231 Wien	Tel. 01 66116-0 Fax 01 66116-14
Portugal	Black & Decker Rua Egas Moniz 173 S. João do Estoril 2766-651 Estoril	Tel. 214667500 Fax 214667575
Suomi	Black & Decker Oy Keilasatama 3, 02150 Espoo Black & Decker Oy, Kägelhamnen 3, 02150 Esbo	Puh.: 010 400 430 Faksi: (09) 2510 7100 Tel: 010 400 430 Fax: (09) 2510 7100
Sverige	Black & Decker AB Fabriksg. 7, 412 50 Göteborg	Tel: 031-68 60 60 Fax: 031-68 60 80
Türkiye	İntratek Mühendislik ve Dış Tic. A.Ş. Ortaklar Cad. No:19/2 80290 Mecidiyeköy / İstanbul	Tel. 0212 211 22 10 Faks 0212 266 33 03
United Kingdom	Black & Decker 210 Bath Road Slough, Berkshire SL1 3YD	Tel. 01753 511234 Fax 01753 551155 Helpline 01753 574277
Middle East & Africa	Black & Decker (Overseas) A.G. PB 5420, Dubai, United Arab Emirates	Tel. +971 4 2826464 Fax +971 4 2826466

Dealer address
Händleradresse
Cachet du revendeur
Indirizzo del rivenditore
Adres van de dealer
Dirección del detallista
Morada do revendedor
Återförsäljarens adress
Forhandlerens adresse
Forhandler adresse
Jälleenmyyjän osoite

Διεύθυνση αντιπροσώπου

◆ Name ◆ Nom ◆ Nome
◆ Naam ◆ Nombre ◆ Nome ◆ Namn
◆ Navn ◆ Navn ◆ Nimi ◆ Övobjekt

◆ Address ◆ Adresse ◆ Adresse ◆ Indirizzo ◆
Adres ◆ Dirección ◆ Morada ◆ Address ◆
Adresse ◆ Adresse ◆ Osoite ◆ Διεύθυνση

◆ Town ◆ Ort ◆ Ville ◆ Città ◆ Plaats
◆ Ciudad ◆ Localidade ◆ Ort ◆ By ◆ By
◆ Paikkakunta ◆ Πόλη

◆ Postal code ◆ Postleitzahl ◆ Code postal ◆
Codigo postale ◆ Postcode
◆ Código ◆ Código postal ◆ Postnr.
◆ Postnr. ◆ Postnr. ◆ Postnummero
◆ Κωδικός

Date of purchase
Kaufdatum
Date d'achat
Data d'acquisto
Aankoopdatum
Fecha de compra
Data de compra
Intägsdatum
Innkjøpsdato
Indkjøpsdato
Ostapäivä

Ημερομηνία αγοράς

konessi? ◆ Είναι το εργαλείο αυτό η
πρώτη σας αγορά?

◆ Yes ◆ Ja ◆ Oui ◆ Si ◆ Ja ◆ Si
◆ Sim ◆ Ja ◆ Ja ◆ Ja ◆ Kyllä ◆ Nci

◆ No ◆ Nein ◆ Non ◆ No ◆ Nee
◆ No ◆ Não ◆ Nej ◆ Nei ◆ Nej
◆ Ei ◆ Oxi

◆ Dealer address ◆ Händleradresse
◆ Cachet du revendeur ◆ Indirizzo del
rivenditore ◆ Adresse van de dealer
◆ Dirección del detallista ◆ Morada do
revendedor ◆ Återförsäljarens adress
◆ Forhandlerens adresse ◆ Forhandler adresse
◆ Jälleenmyyjän osoite
◆ Διεύθυνση αντιπροσώπου

Cat. no.:



Date of purchase
Kaufdatum
Date d'achat
Data d'acquisto
Aankoopdatum
Fecha de compra
Data de compra
Intägsdatum
Innkjøpsdato
Indkjøpsdato
Ostapäivä

Ημερομηνία αγοράς

◆ Data protection act. Tick the box if you prefer
not to receive further information. ◆ Bitte
ankreuzen, falls Sie keine weiteren
Informationen erhalten möchten. ◆ Si vous ne
souhaitez pas recevoir d'informations, cochez
cette case. ◆ Barrate la casella se non
desiderate ricevere informazioni.
◆ A u. b. ditt väkje aankruisen indien u geen
informatie wenst te ontvangen.
◆ Señale en la casilla sino quiere recibir
información. ◆ Por favor, assinala com uma cruz
se não desejar receber informação. ◆ Vänligen
kryssa för i rutan om Ni inte vill ha information.
◆ Venligst kryss av dersom du ikke ønsker
informasjon. ◆ Venligst sæt kryds i ruden
såfremt De ikke måtte ønske at modtage
information.

◆ Merkittää rasti ruutuun, mikäli ette halua
vastaanottaa informaatiota.
◆ Παράκαλιστε να σημειώσετε εάν δεν θέλετε
να πάρετε πληροφορίες.

- ◆ GUARANTEE CARD
- ◆ GARANTIEKART
- ◆ GARANTI KORT
- ◆ GARANTIEKARTE
- ◆ TARJETA DE GARANTIA
- ◆ GARANTI KORT
- ◆ CARTE DE GARANTIE
- ◆ CARTÃO DE GARANTIA
- ◆ TAKUUKORTTI
- ◆ TAGLIANDO DI GARANZIA
- ◆ GARANTIBEVIS
- ◆ KAPTA EFTYHHSZ



English

Please complete this section immediately after the purchase of your tool and send it to Black & Decker in your country. If you live in Australia or New Zealand, please register by using the alternative guarantee card supplied.

Deutsch

Bitte schneiden Sie diesen Abschnitt ab, stecken ihn in einen frankierten Umschlag und schicken ihn an die Black & Decker Adresse Ihres Landes.

Français

Découpez cette partie et envoyez-la sous enveloppe timbrée à l'adresse de Black & Decker dans votre pays, ceci immédiatement après votre achat.

Italiano

Per favore ritagliate questa parte, inseritela in una busta con francobollo e spediteola subito dopo l'acquisto del prodotto all'indirizzo della Black & Decker nella vostra nazione.

Nederlands

Knip dit gedeelte uit en zend het direct na aankoop in een gefrankeerde, geaddresseerde envelop naar het adres van Black & Decker in uw land.

Español

Después de haber comprado su herramienta envíe usted, por favor, esta tarjeta a la central de Black & Decker en su país.

Português

Por favor, recorte esta parte, coloque-a num envelope selado e enderegado e envie-o logo após a compra do seu produto para o endereço da Black & Decker do seu país.

Svenska

Var vänlig klipp ur denna del och sänd den i ett frankerat kuvert till Black & Deckers adress i Ditt land.

Norsk

Vennligst klipp ut denne delen umiddelbart etter du har pakket ut ditt produkt og legg det i en adressert konvolutt til Black & Decker (Norge)/A/S.

Dansk

Venligst klip denne del ud og send frankeret til Black & Decker i dit land.

Suomi

Leikkaa irri tämä osa, laita se kuoreen ja postita kuori paikalliseen Black & Decker osoitteeseen.

Ελληνικά

Παράκατω κόλλετε αυτό το κομμάτι και τοποθετήστε το σε φένοιο μετά την αγορά του προϊόντος σας στην διεύθυνση της Black & Decker στην Ελλάδα.